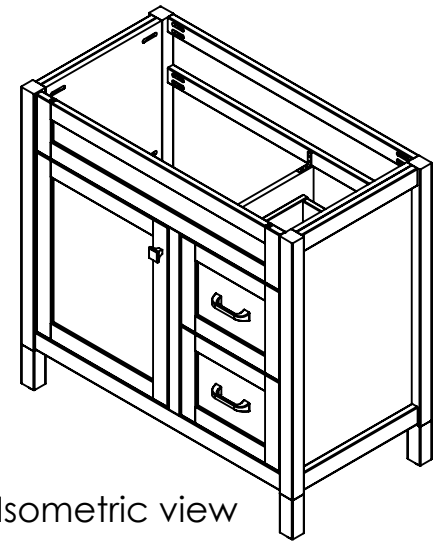
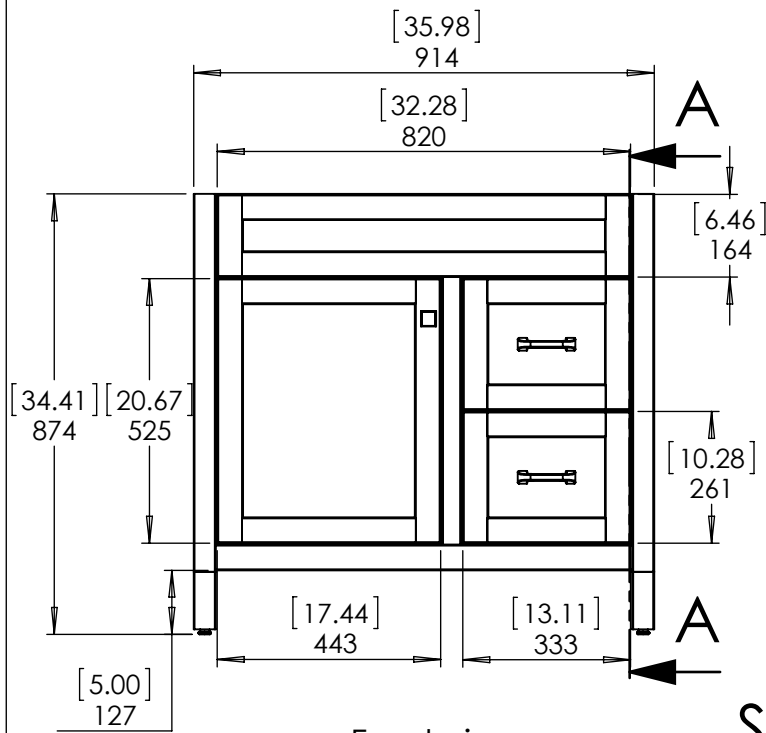


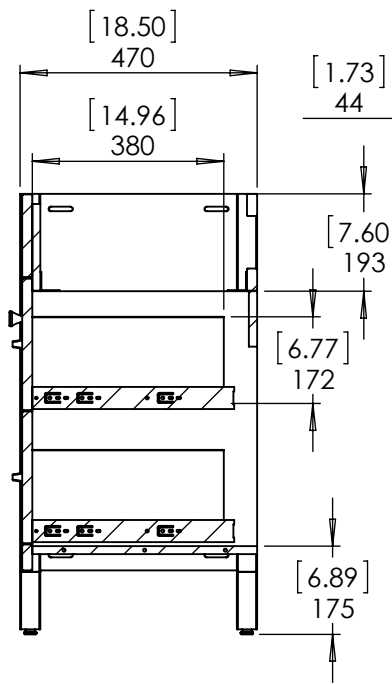
Top view



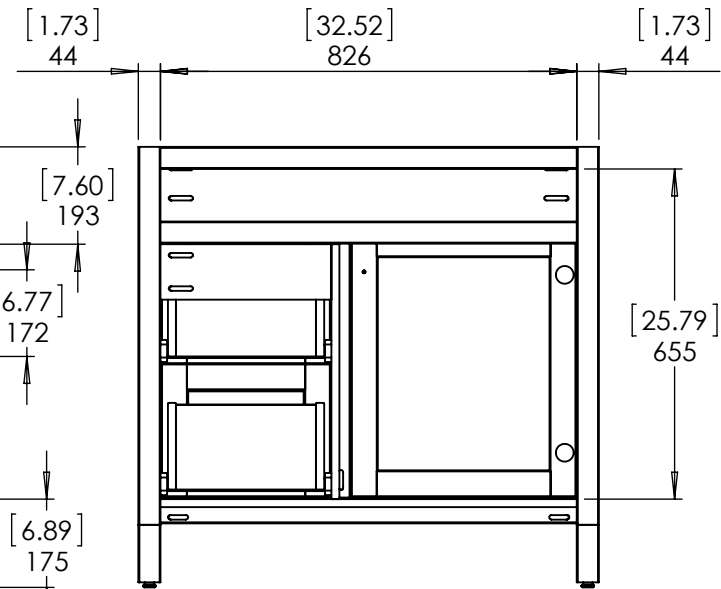
Isometric view



Front view



SECTION A-A



Back view

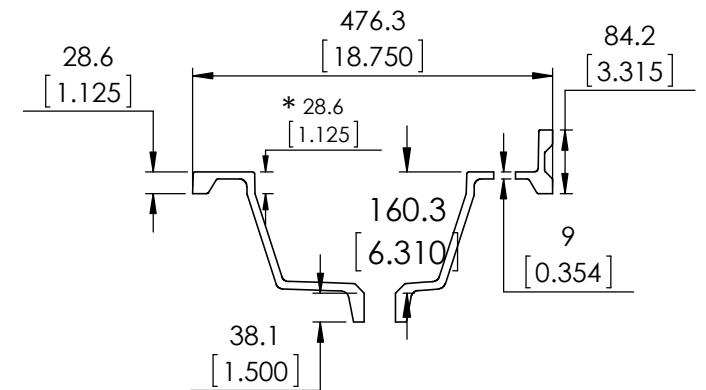
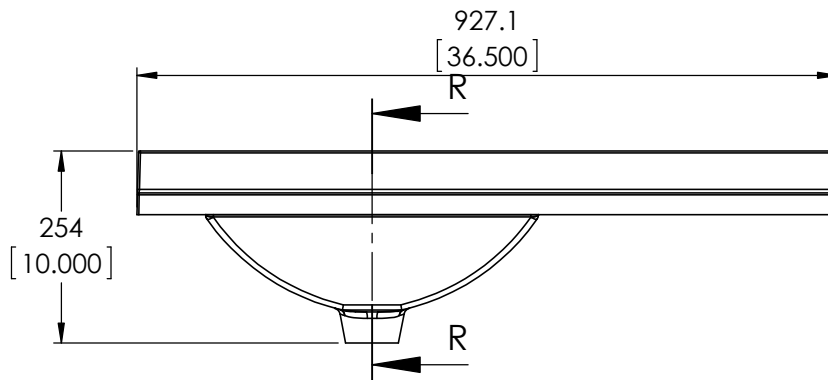
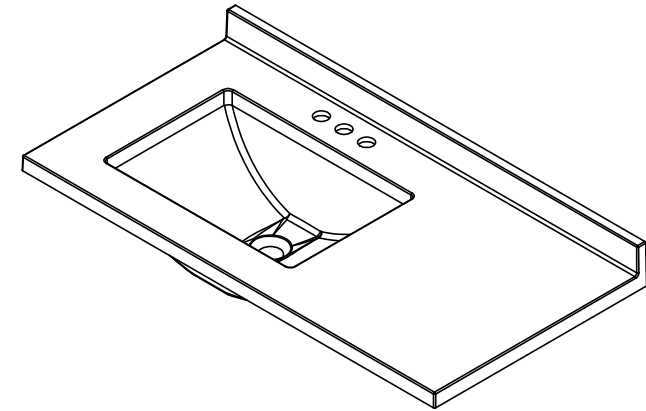
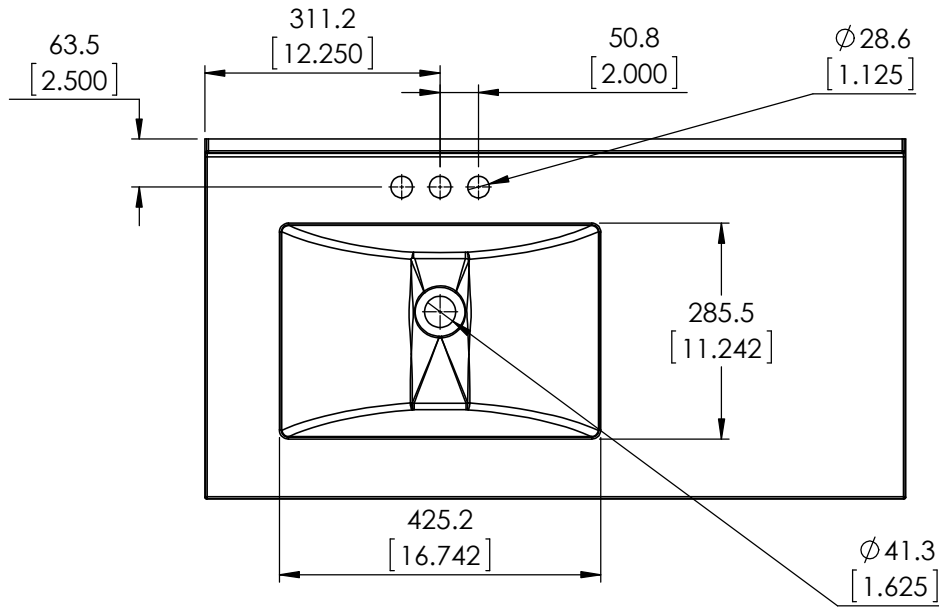
ITEM:	HD2036P1O43-ST	REV	A
	HD2036P1O44-BU		
NAME:	W0224 36in		



Propiedad y Confidencialidad La información contenida en este dibujo es puramente propiedad de Woodcrafters Home Products LLC. Queda prohibida cualquier reproducción parcial o total sin el permiso por escrito de Woodcrafters Home Product LLC.	DRAWING	AEP	03/26/20	MATERIAL: German beech 4/4 Particle Board Laminated in Sterling/Blue
	REVIEW	ING	03/26/20	
	APPROVED	R&D	03/26/20	
	SCALE: 1:15	MODEL:	W0224	

ITEM TYPE	ITEM ID	ITEM DESCRIPTION	DRAWING STATUS

REV	DESCRIPTION	DATE	APPROVAL
0	RELEASED	9/25/18	E. SANDOVAL
1	Added new items	3/13/20	E. SANDOVAL




Nota: *El grosor de la linea de particion bifono en el bowl es de 1.00" a 1.125"

PROPRIETARY AND CONFIDENTIAL		UNLESS OTHERWISE SPECIFIED		NAME	DATE	SIZE	DWG. NO.	SHEET 1 OF 2
THE INFORMATION CONTAINED IN THIS DRAWING IS THE SOLE PROPERTY OF WOODCRAFTERS. ANY REPRODUCTION IN PART OR AS A WHOLE WITHOUT THE WRITTEN PERMISSION OF WOODCRAFTERS IS PROHIBITED.		DIMENSIONS ARE IN MM. AND [INCHES]		DRAWN	O. RAZO			
		TOLERANCES ARE + 3.175 [0.125] - 3.175 [0.125]		CHECKED	E. DELGADO	5/28/2020		
		SCALE: 1:10		ENG APPR.	W. AMAYA	5/28/2020		
				MFG APPR.	A. CASIANO	5/28/2020		



ITEM TYPE	ITEM ID	ITEM DESCRIPTION	DRAWING STATUS
FG	ECCM3719R-WH	Vtop Rect 36.5x18.75 offset left CM White 4 in	R&D
FG	ECSS3719R-PG	Vtop Rect 2 tone 36.5x18.75 offset left SS Polar Gray 4 in	R&D
FG	ECSS3719R-AH	Vtop Rect 2 tone 36.5x18.75 offset left SS Silver Ash 4 in	R&D
FG	ECSS3719R-SN	Vtop Rect 2 tone 36.5x18.75 offset left SS Snow 4 in	R&D

REV	DESCRIPTION	DATE	APPROVAL
0	RELEASED	9/25/18	E. SANDOVAL
1	Added new items	3/13/20	E. SANDOVAL

PROPRIETARY AND CONFIDENTIAL THE INFORMATION CONTAINED IN THIS DRAWING IS THE SOLE PROPERTY OF WOODCRAFTERS. ANY REPRODUCTION IN PART OR AS A WHOLE WITHOUT THE WRITTEN PERMISSION OF WOODCRAFTERS IS PROHIBITED.	UNLESS OTHERWISE SPECIFIED				 SIZE DWG. NO. SHEET 2 OF 2 FG
	DIMENSIONS ARE IN MM. AND [INCHES]		DRAWN	O. RAZO 4/23/2020	
	TOLERANCES ARE + 3.175 [0.125] - 3.175 [0.125]		CHECKED	E. DELGADO 5/28/2020	
	SCALE:1:10		ENG APPR.	W. AMAYA 5/28/2020	
			MFG APPR.	A. CASIANO 5/28/2020	