


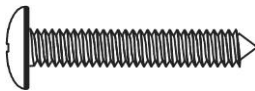

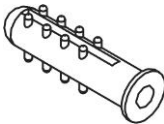




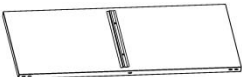





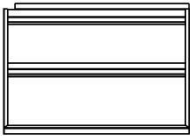
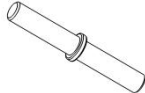
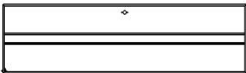
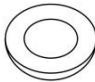

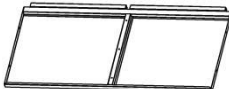




PARTS LIST

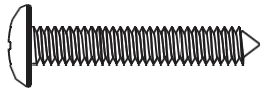
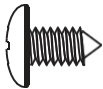
LISTE DES PIECES

LISTA DE PIEZAS

Name		Part	Qty	Spare	Name		Pan	Qty.	Spare
A	Left Back Panel		1		K	Left Door		1	
B	Right Back		1		L	1-3/16" Wall		2	
C	Left Side		1		M	Wall Anchor		2	
D	Right Side		1		N	13/32" Screw		23	2
E	Kick Plate		1		O	Shelf Support		16	
F	Bottom Panel		1		P	Lock		1	
G	Top Rail		1		Q	Plastic Rod		2	
H	Top Panel		1		R	Rod		2	
I	Shelves		4		S	Door Pivot Pin		2	
J	Right Door		1		T	Shim		4	

U	Foam Pad		2		AA	Upper Shelf		1	
BB	Divide Shelf		1		CC	Clothes Hanger		1	

SIZE COMPARISON CHART

L	1-3/16" Wall Anchor Screw	
N	13/32" Screw	

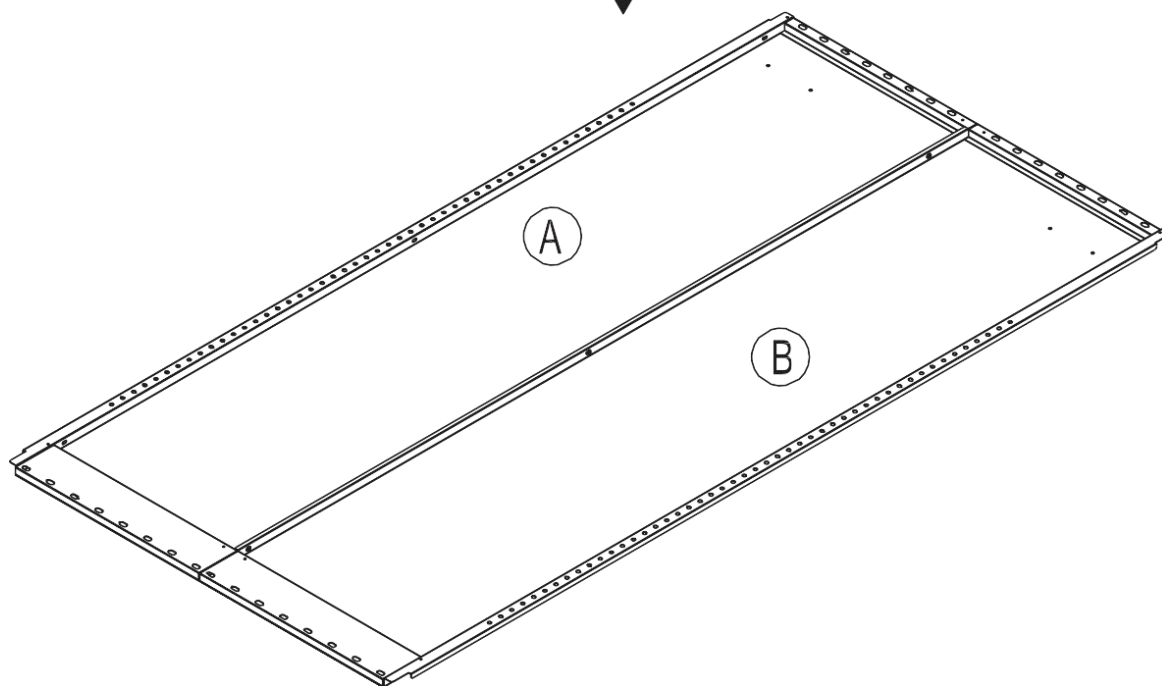
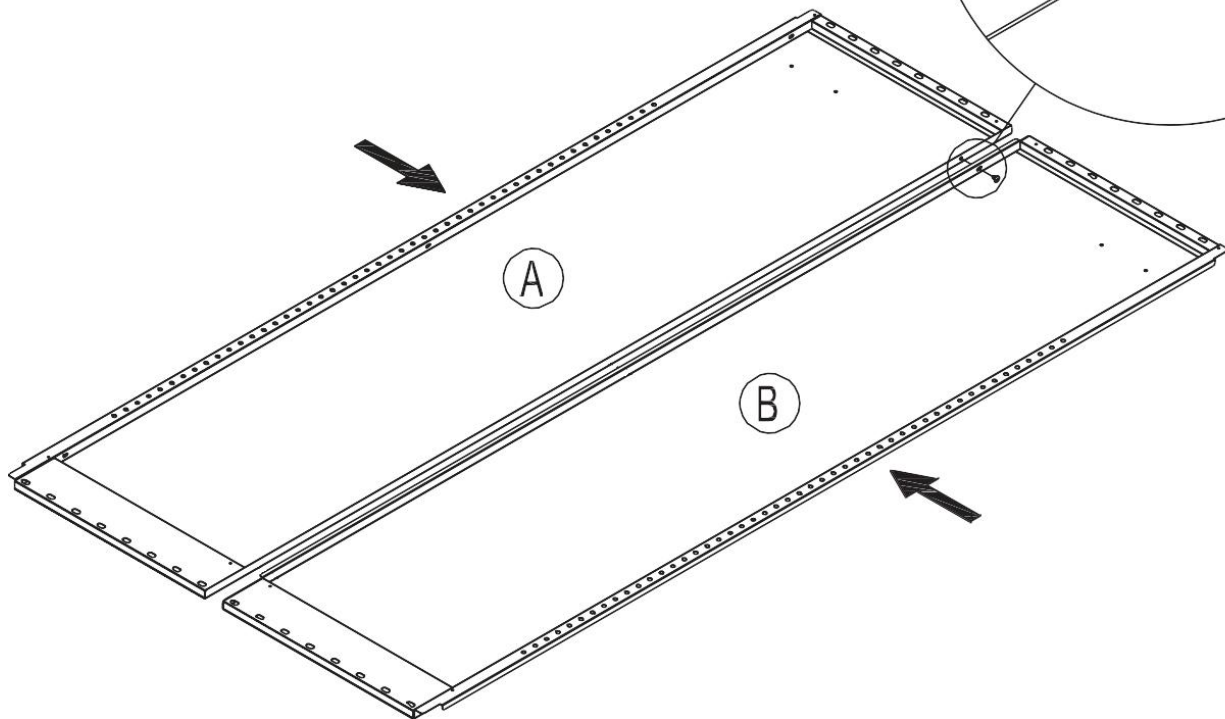
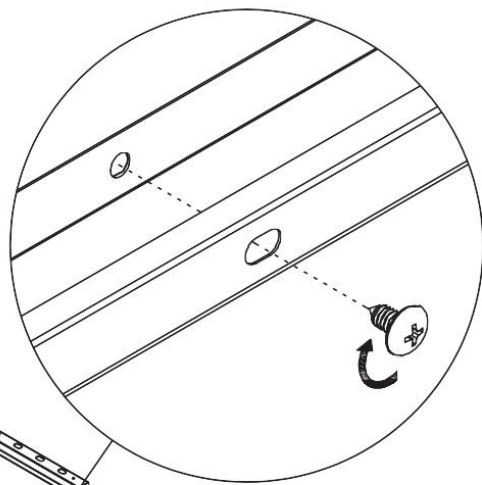


CAUTION

An assistant is required.
 Es necesario un ayudante.
 Un assistant est nécessaire.

Step1

(N)  x1

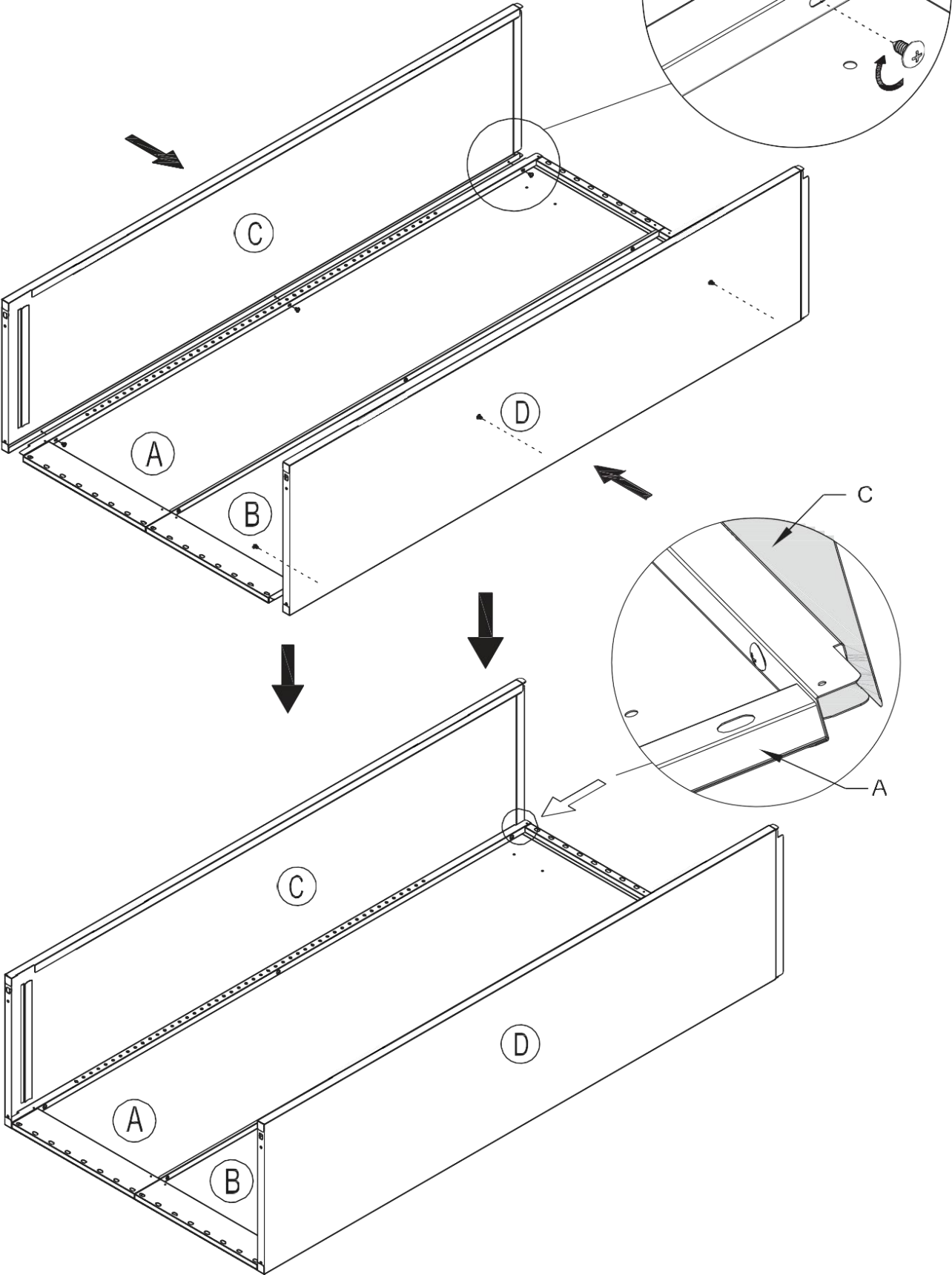


Step2

(N)

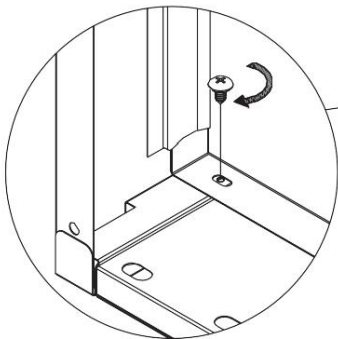
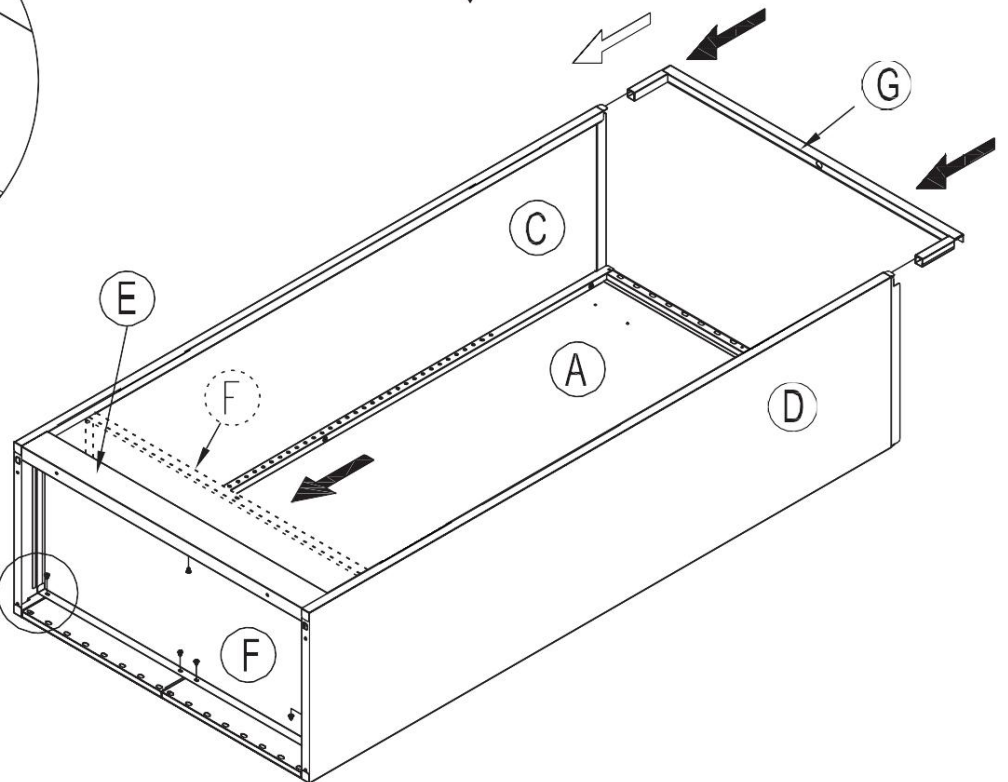
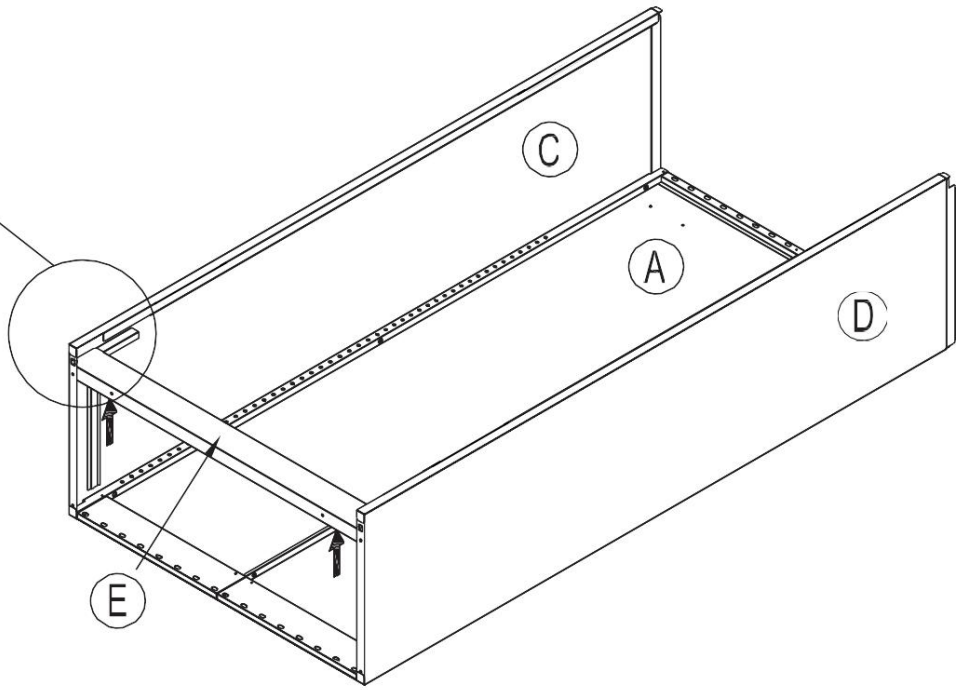
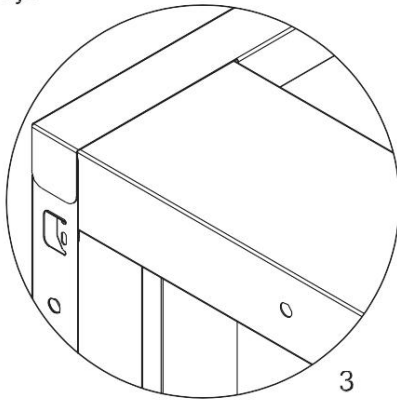
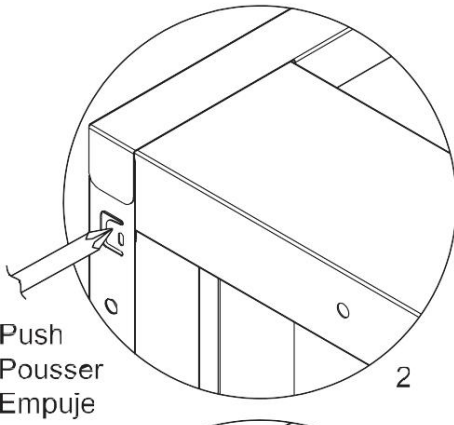
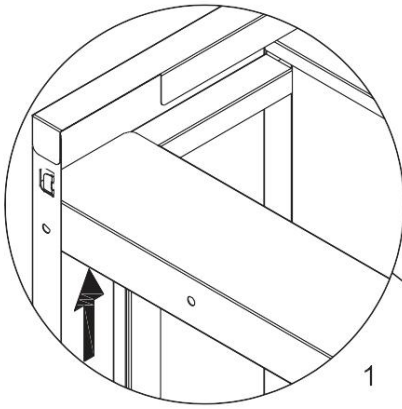


x 6

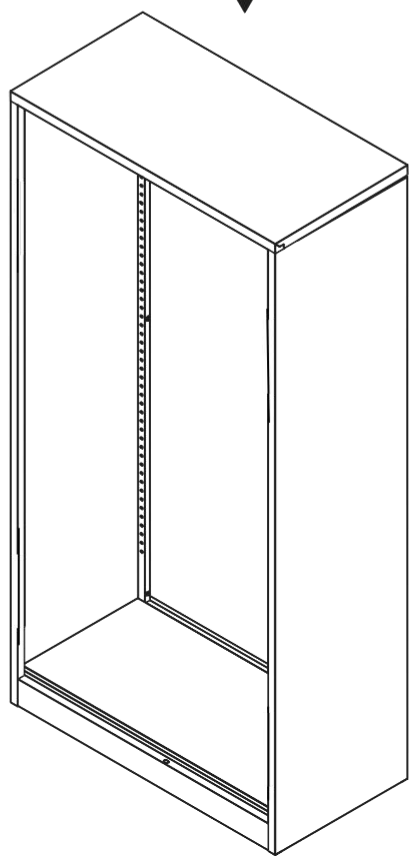
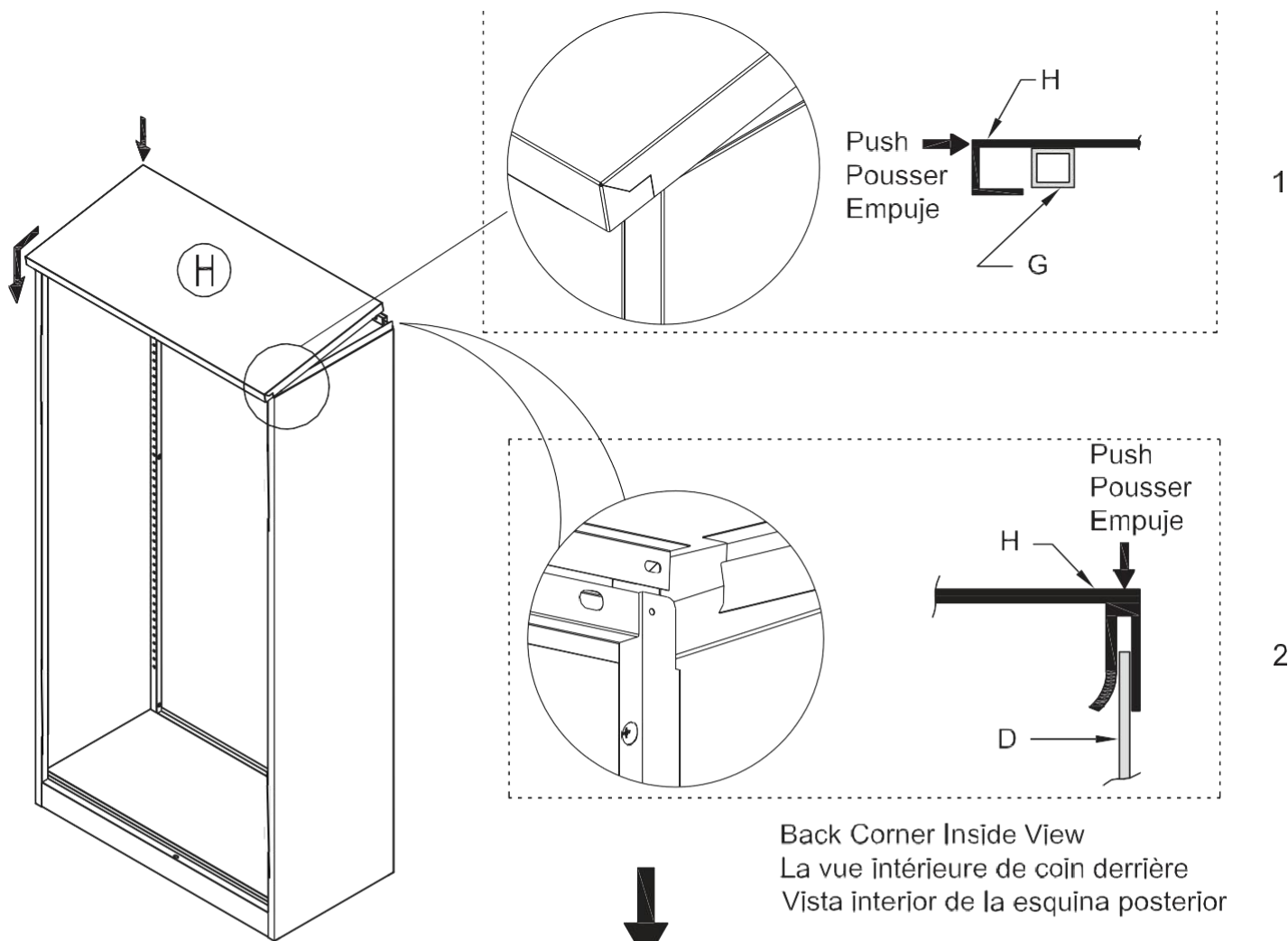


Step3

(N)  x5



Step 4

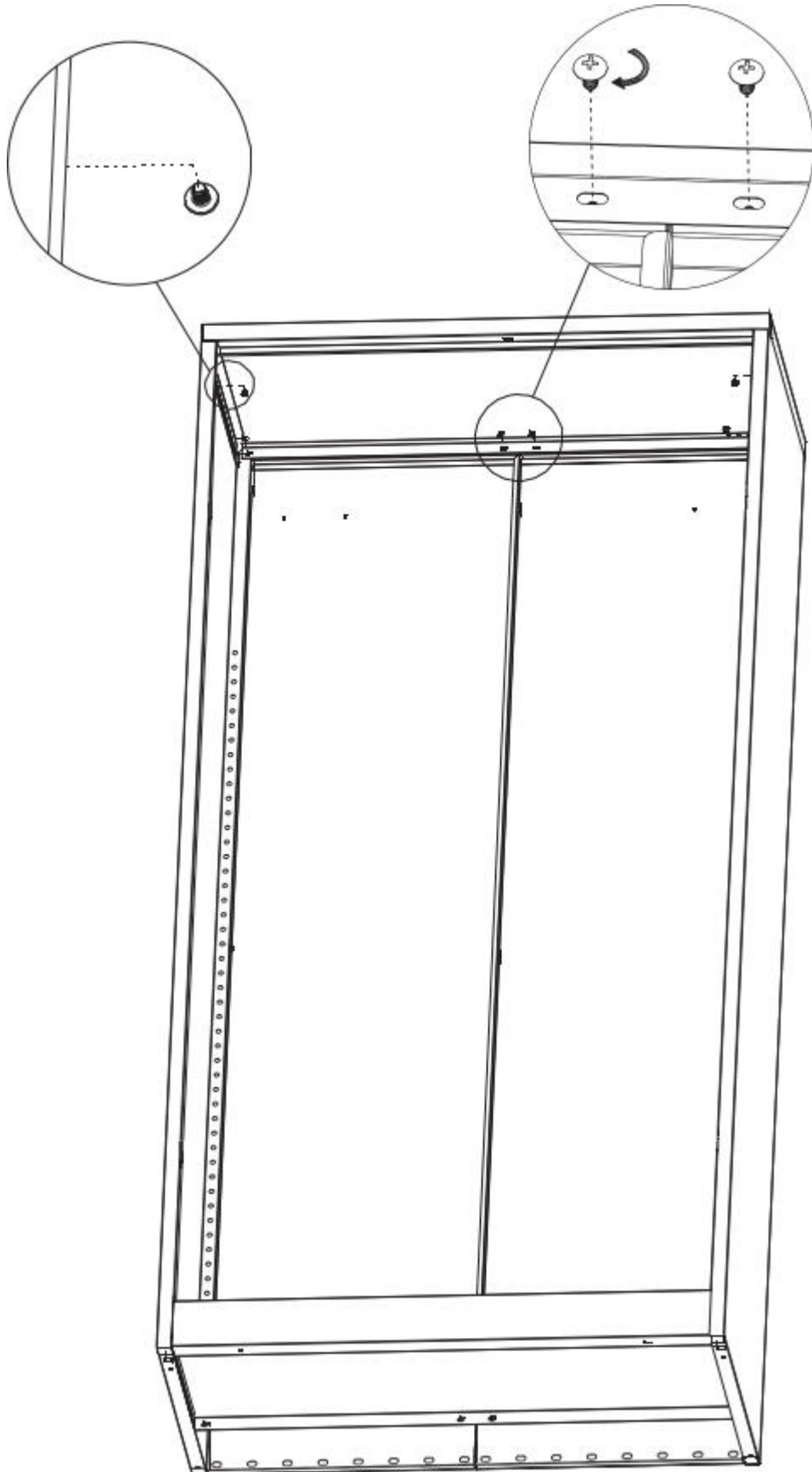


Step 5

N

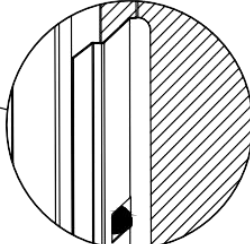
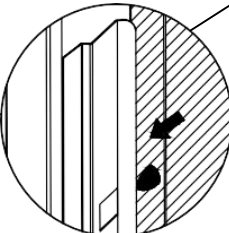
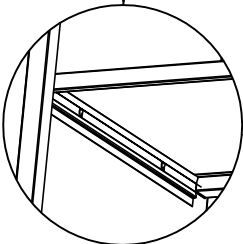
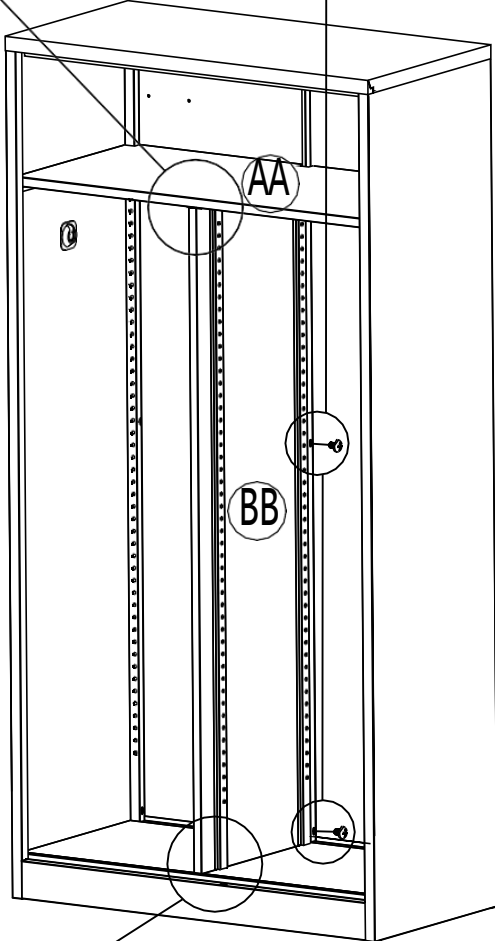
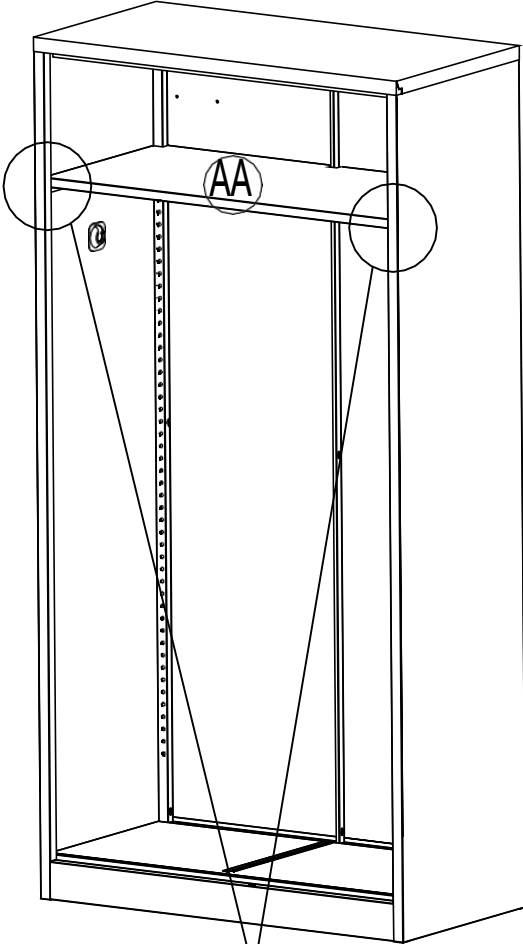
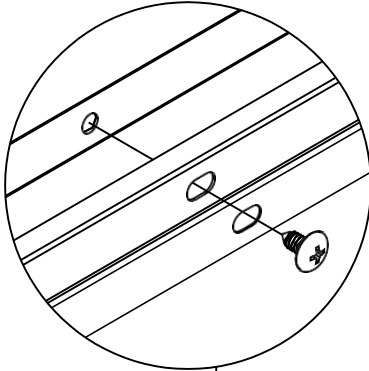
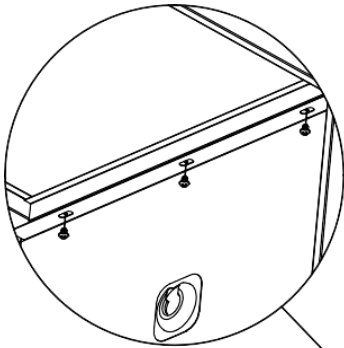


x6



Step 6

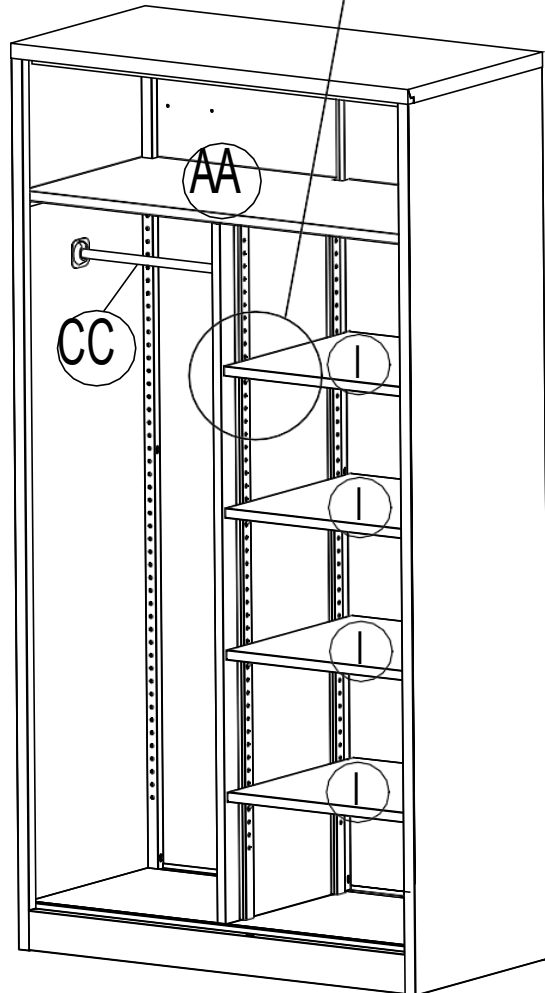
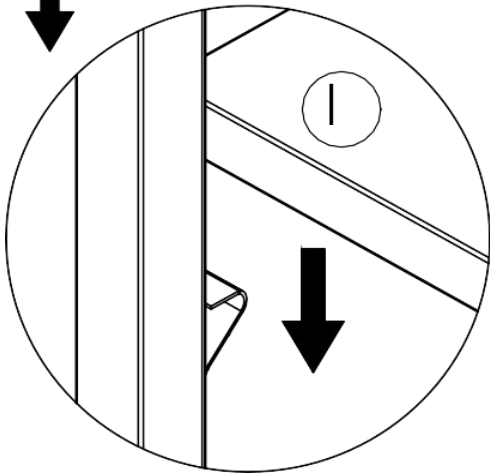
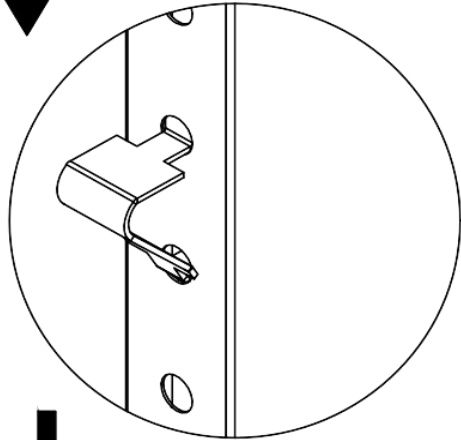
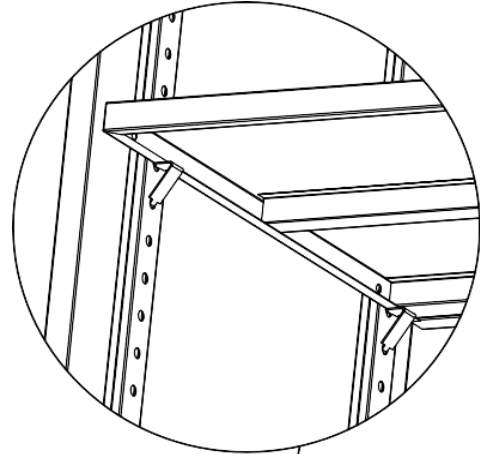
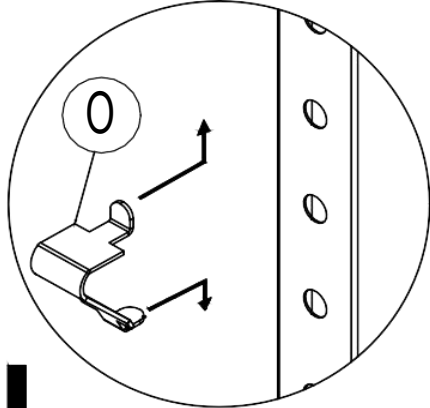
(N)




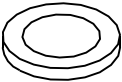

Step 7

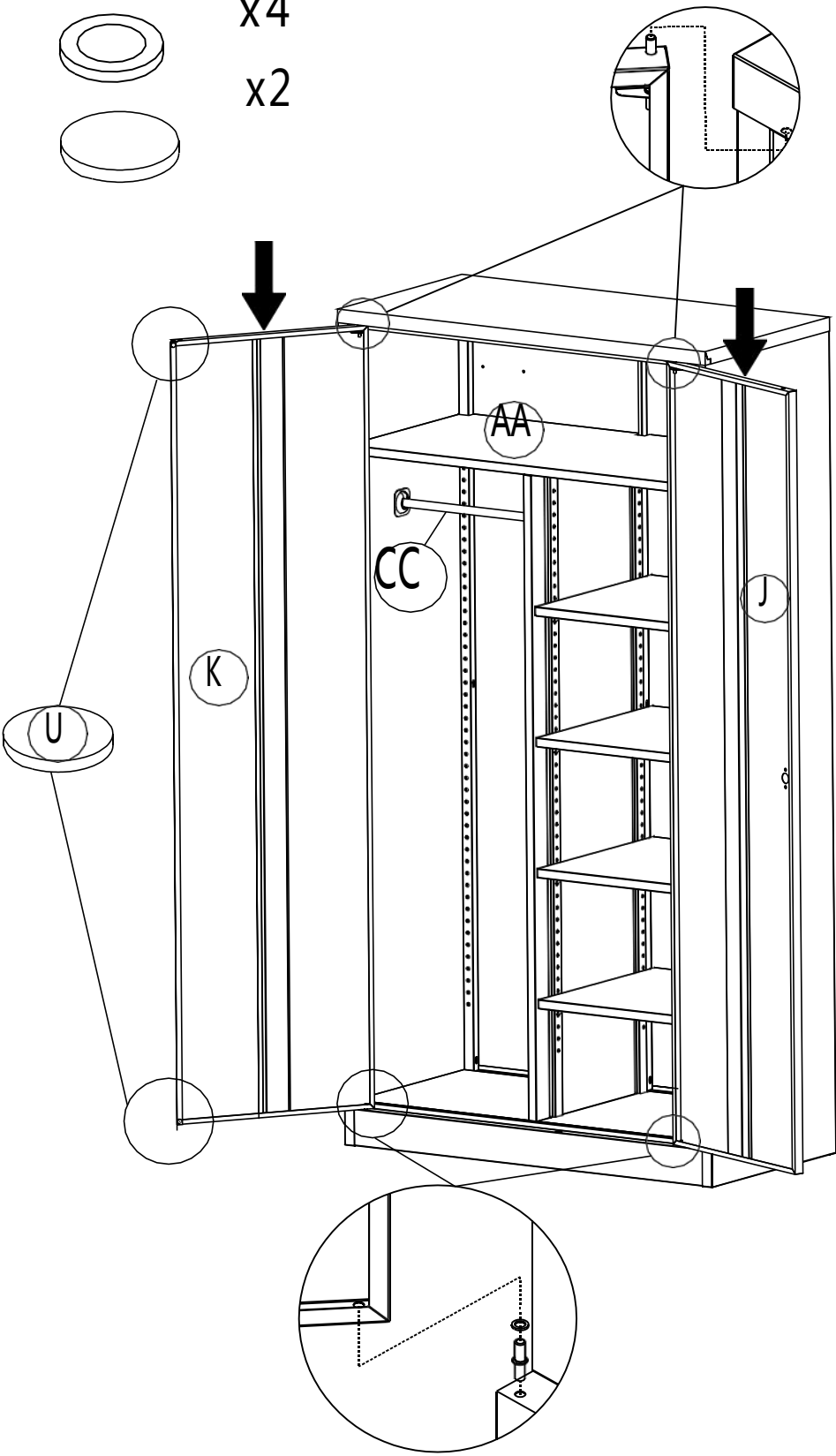
0 x 16

CC x 1



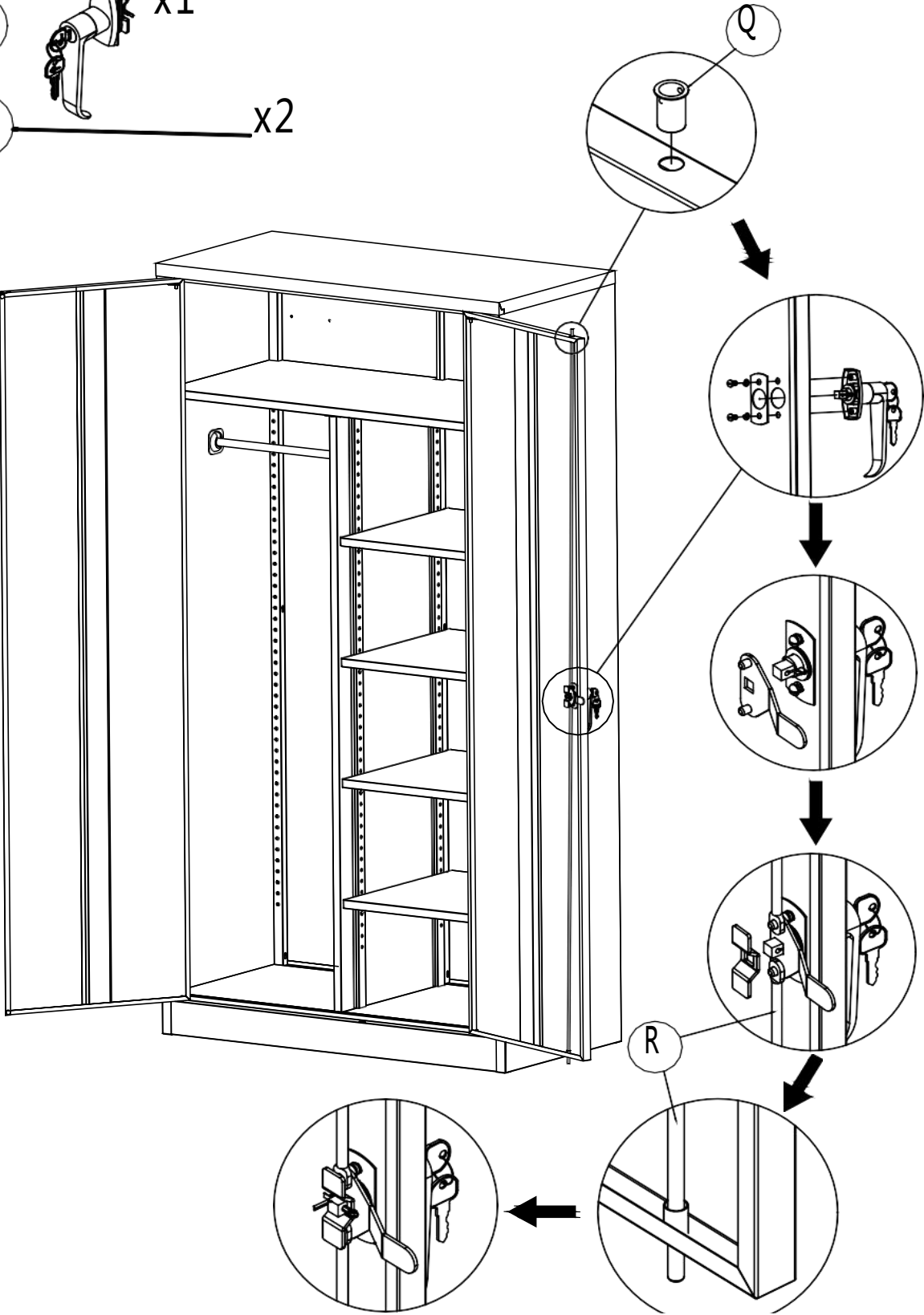
Step 8

- S  x2
- T  x4
- U  x2

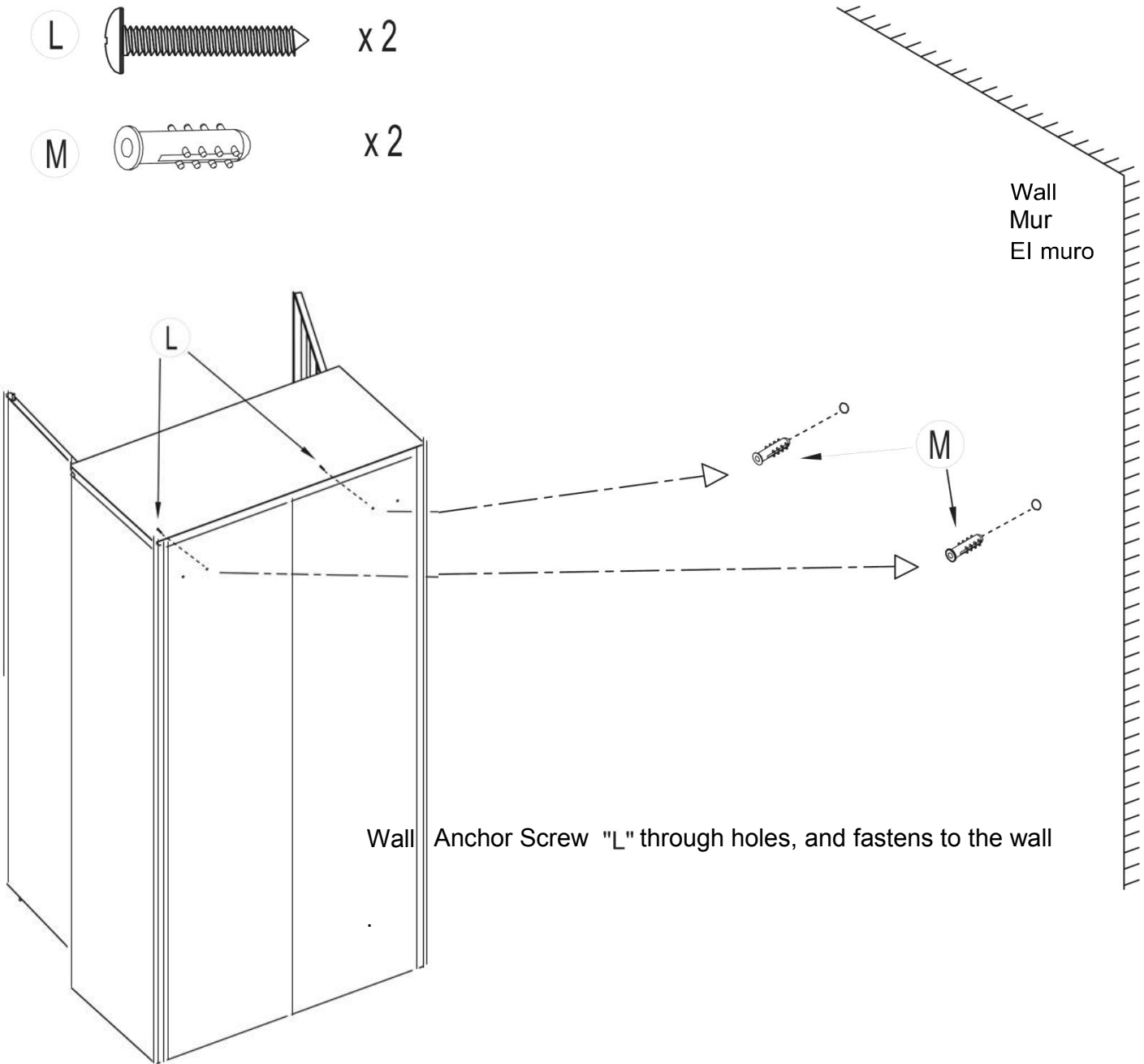
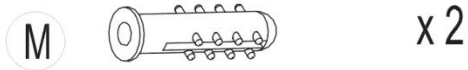
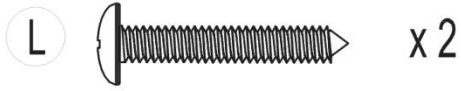


Step 9

- Q x2
- P x1
- R x2



Step 10



Wall Anchor Screw "L" through holes, and fastens to the wall

AFTER ASSEMBLY IS COMPLETE, THE UNIT MUST BE SECURED TO A WALL.

FAILURE to mount the unit to a wall, can create a TIPPING HAZARD.

A tipping hazard is dangerous to yourself and others. Use wall anchor hardware that properly suits the installation of mounting this unit to a wall

Step 11

This Product is designed for stationary use only.
Do not use it with any type of mobile cabinet conversion device.

