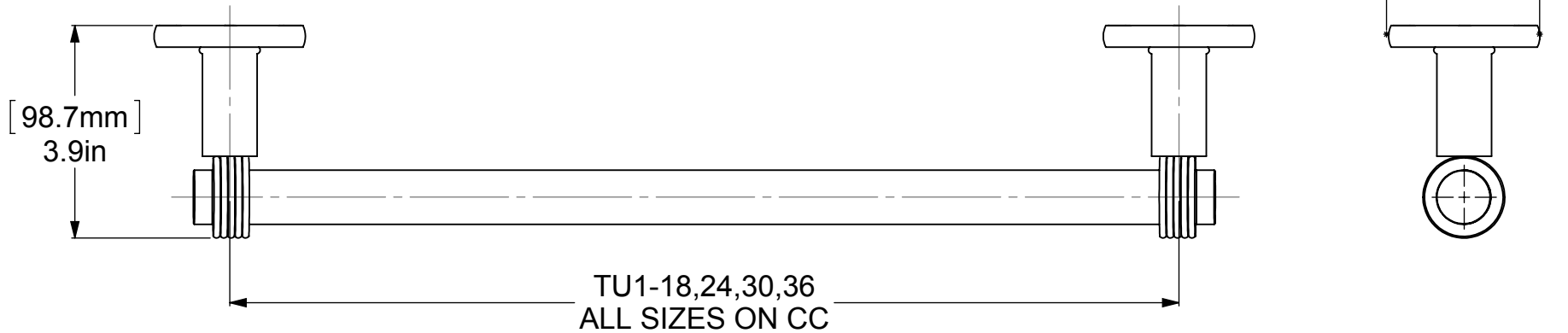
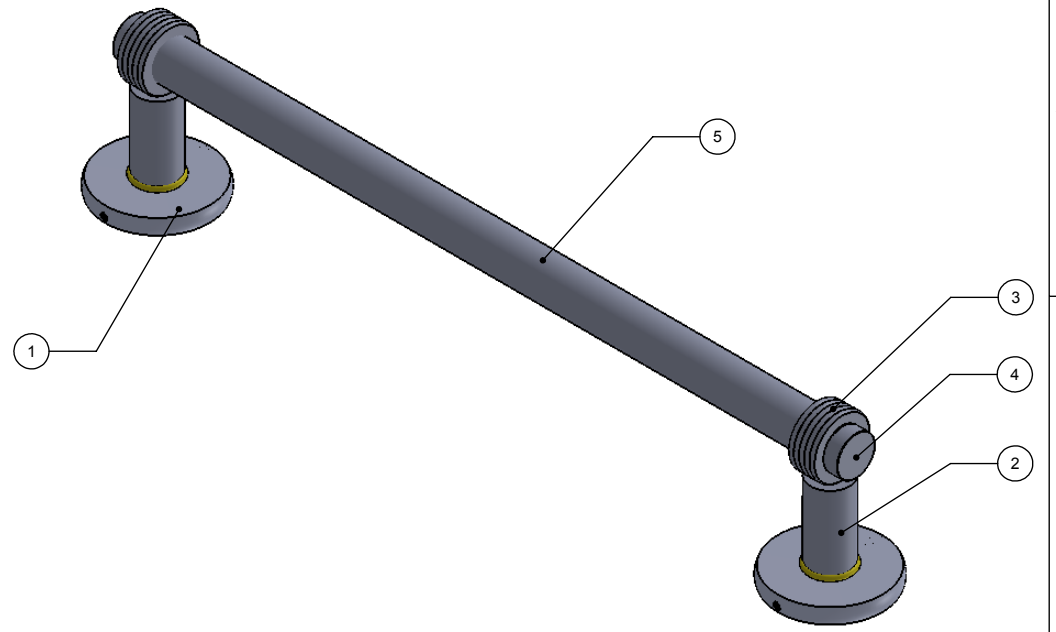
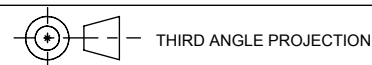


1	BPRD	BACKPLATE	2
2	TU1-2	SUPPORT	2
3	RGVVT	HUB	2
4	CARD-1	END CAP	2
5	TU1-18,24,30,36	TUBE	2



UNLESS OTHERWISE STATED	
.X	±.3mm
.XX	±.15mm
.XXX	±.008mm

COPYRIGHT © Allied Brass 2016



DRAWN	12-17-16	I.M	MATERIAL:	BRASS		FINISH	TBD
CHECKED	12-17-16	P.D	DESCRIPTION:		QUANTITY	TBD	
APPROVED	12-17-16	R.A	TOWEL BAR		DRAWING No.	REV	
					2051G	0	
SCALE		1:3	SHEET: 01		A4		