

EN..... P. 1 – 10

FR..... P. 11 – 21

ES..... P. 22 – 32

# KRUPS

Grind and brew coffee maker



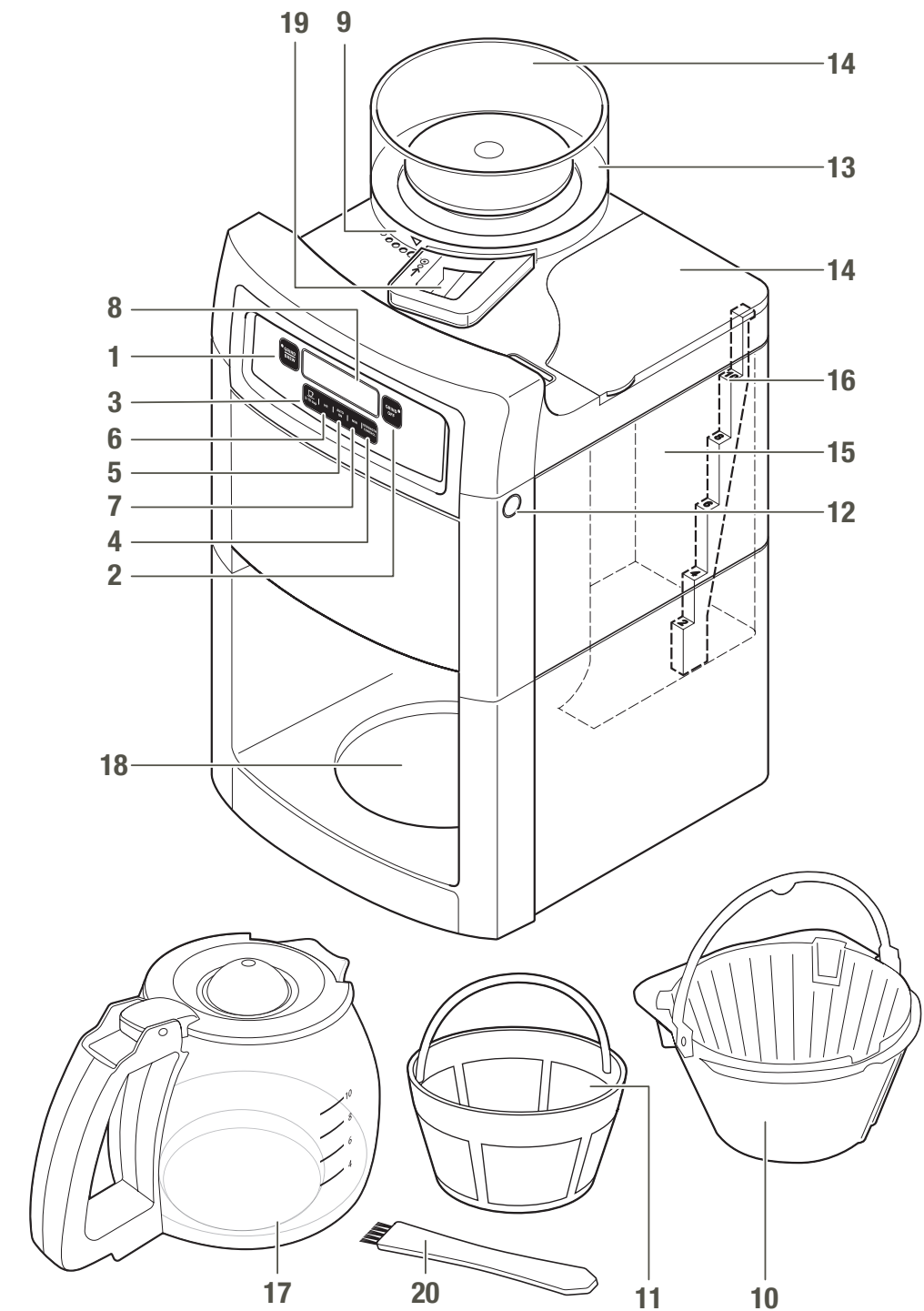
NC00140324 – 03

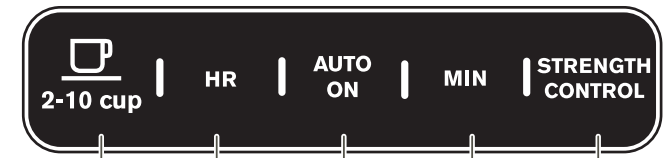
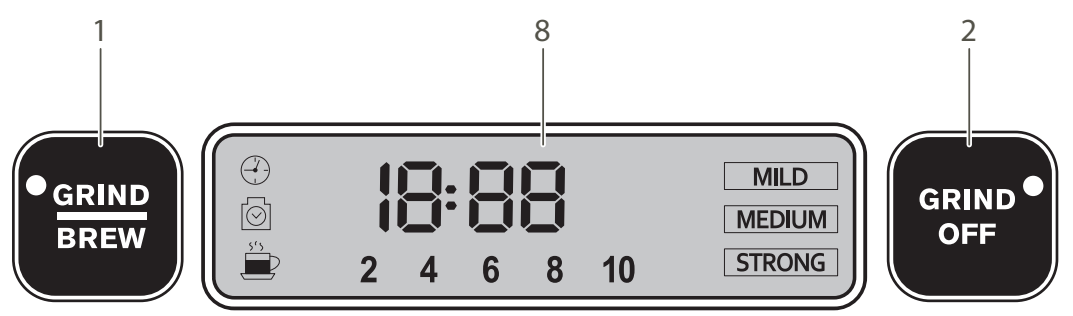
[www.krups.com](http://www.krups.com)

EN

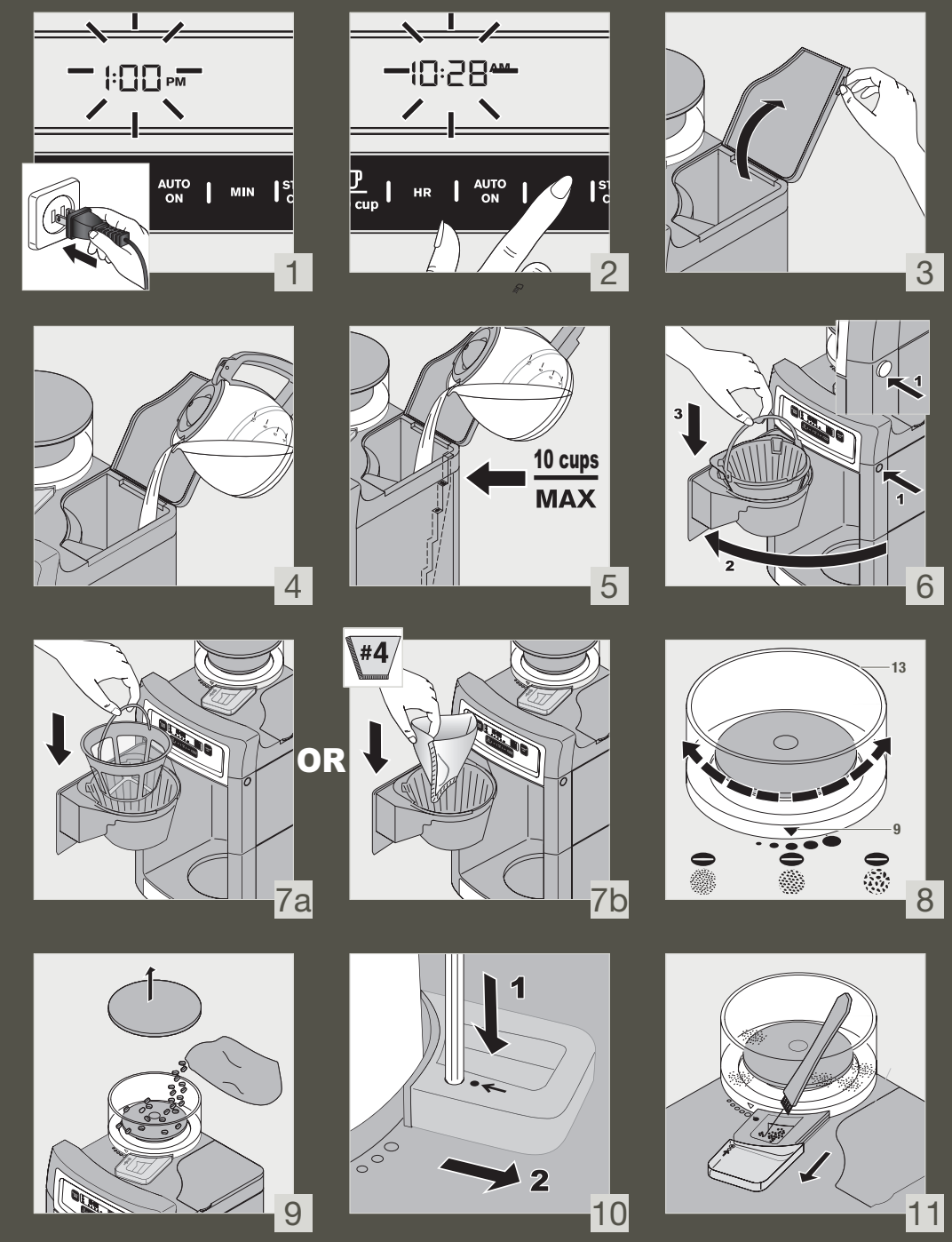
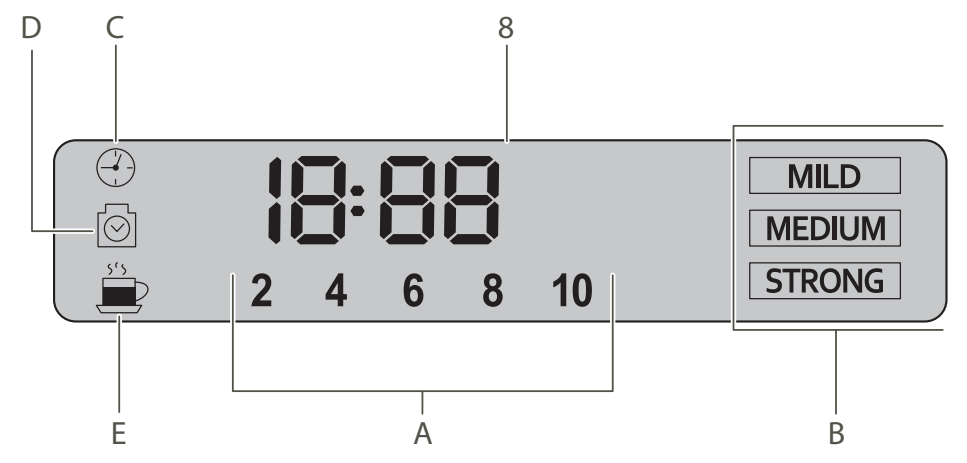
FR

ES





3 4 5 6 7





# TABLE OF CONTENTS

	PAGE
1. Safety instructions.....	2
2. Description .....	4
3. Before first use.....	4
4. Setting the clock.....	4
5. Use .....	5
6. Making coffee .....	5
7. Cleaning and maintenance .....	7
8. Descaling.....	7
9. Troubleshooting .....	9
10. KRUPS International Limited Guarantee.....	10

ENGLISH



## SAFETY INSTRUCTIONS

### IMPORTANT SAFEGUARDS

**When using electrical appliances, basic safety precautions should always be followed to reduce the risk of fire, electric shock, and/or injury to persons including the following:**

1. Read all instructions before using.
2. Do not touch hot surfaces. Use handles or knobs.
3. To protect against electric shock do not immerse cord, plugs or coffee maker in water or other liquid. Close supervision is necessary when the any appliance is used by or near children.
4. **Unplug from outlet when either the appliance or display clock is not in use, and before cleaning.** Allow to cool before putting on or taking off parts, and before cleaning the appliance.
5. Do not operate any appliance with a damaged cord or plug or after the appliance malfunctions, or has been damaged in any manner. Return the appliance to the nearest authorized service facility for examination, repair or adjustment.
6. **The use of attachments not recommended or sold by the manufacturer may cause fire, electric shock or injury.**
7. Do not use outdoors.
8. Do not let cord hang over edge of table or counter, or touch hot surfaces.
9. Do not place on or near a hot gas or electric burner, or in a heated oven.
10. Always attach plug to the appliance first, then plug cord in the wall outlet. To disconnect, turn any control to "off", then remove plug from wall outlet.
11. Do not use the appliance for other than intended use.
12. The coffee carafe is designed for use with this appliance. It must never be used on a range top.
13. Do not place a hot carafe on a wet or cold surface.
14. Do not use a cracked carafe or a carafe having a loose or weakened handle.
15. Do not clean carafe with cleansers, steel wool pads, or other abrasive material.
16. Scalding may occur if the lid is removed during the brewing cycles.
17. **Avoid contacting moving parts.**
18. **Check hopper for presence of foreign objects before using.**
19. **This appliance has a polarized plug (one blade is wider than the other). To reduce the risk of electric shock, this plug is intended to fit into a polarized outlet only one way. If the plug does not fit fully into the outlet, reverse the plug. If it still does not fit, contact a qualified electrician. Do not attempt to modify the plug in any way.**

### SAVE THESE INSTRUCTIONS

#### CAUTION

This machine is intended for household use only. Any servicing other than cleaning and user maintenance should be performed by the nearest authorized KRUPS



Service Center. Visit our website at [www.krupsusa.com](http://www.krupsusa.com) in the USA or [www.krups.ca](http://www.krups.ca) in Canada or contact your respective country's Consumer Service department for the service center nearest you, or contact your respective country's Consumer Service department. To reduce the risk of fire or electric shock, do not attempt to disassemble the machine. Repair should be done by an authorized KRUPS Service Center only.

## SHORT CORD INSTRUCTIONS

- A. A short power cord or a detachable power cord is provided to reduce the risks of becoming entangled in or tripping over a longer cord accidentally.
- B. Longer detachable power cords or extension cords are available and may be used if care is exercised in their use.
- C. If a long detachable power cord or an extension cord is used:
  - 1) the marked electrical rating of the detachable power cord or extension cord should be at least as great as the electrical rating of the appliance.
  - 2) If the appliance is of the grounded type, the extension cord should be a grounding type 3-wire cord.
  - 3) the longer cord should be arranged so that it will not drape over the counter where it can be pulled on by children or tripped over accidentally. The appliance may have a polarized plug (one blade is wider than the other). To reduce the risk of electric shock, this plug is intended to fit into a polarized outlet only one way. If the plug does not fit fully into the outlet, reverse the plug. If it still does not fit, contact a qualified electrician. Do not attempt to modify the plug in anyway.

## ADDITIONAL SAFETY INSTRUCTIONS

- Your appliance is designed for domestic use only.
- It is not intended to be used in the following applications, and the guarantee will not apply for: staff kitchen areas in shops, offices and other working environments; farm houses; by clients in hotels, motels and other residential type environments; bed and breakfast type environments.
- This appliance is not designed to be used by children or people without knowledge or experience with the product, unless they are supervised or given prior instructions concerning the use of the appliance by someone responsible for their safety.
- Burns can occur from touching hot plate, hot water or steam. Exercise caution.
- All machines are subject to stringent quality control. Practical tests using machines taken at random are conducted and this may explain any slight marks or coffee residue showing prior to use.
- Do not pour liquids other than water and descaling solutions specified in this manual into the water tank.
- Protect the machine against humidity and freezing.
- Do not pour water into the appliance if it is still hot.
- Always place your coffee maker on a flat, stable, heat resistant work surface away from water splashes and any external sources of heat.



- Never place your carafe or your insulated pot in a microwave oven, in a dishwasher or on a stove top.
- Never put your hand inside the insulated pot.
- Do not use the carafe or the insulated pot without the lid.
- Do not use the thermal carafe if the glass inner part inside is broken. If the glass inner part of the carafe is broken, pieces of glass can transfer to your cup.
- In the interest of improving products, KRUPS reserves the right to change specifications without prior notice.
- A short power supply cord is provided to reduce the hazards resulting from becoming entangled in or tripping over a long cord.
- This appliance is not intended for use by persons (including children) with reduced physical, sensory or mental capabilities, or lack of experience and knowledge, unless they have been given supervision or instruction concerning use of the appliance by a person responsible for their safety.

Children should be supervised to ensure that they do not play with the appliance.

## DESCRIPTION

Your coffee maker has been designed for making coffee with coffee beans or ground coffee. The appliance is suitable for indoor use only. The appliance is suitable for domestic use only.

- |  |   |
|--|---|
| <ol style="list-style-type: none"> <li>1. Grind and brew button</li> <li>2. Grind off button</li> <li>3. Coffee quantity selector</li> <li>4. Hour button</li> <li>5. Auto start function</li> <li>6. Minutes button</li> <li>7. Coffee strength selector</li> <li>8. Display           <ol style="list-style-type: none"> <li>A. Coffee quantity indicator</li> <li>B. Coffee strength indicator</li> <li>C. Timer indicator</li> <li>D. Descaling indicator</li> <li>E. Keep-warm indicator</li> </ol> </li> </ol> | <ol style="list-style-type: none"> <li>9. Ground coffee fineness selector</li> <li>10. Coffee filter holder</li> <li>11. Permanent filter</li> <li>12. Release button (filter holder assembly)</li> <li>13. Coffee bean compartment</li> <li>14. Lid</li> <li>15. Water reservoir</li> <li>16. Water level indicator</li> <li>17. Glass carafe</li> <li>18. Heating plate</li> <li>19. Cleaning compartment</li> <li>20. Brush</li> </ol> |
|--|---|

## BEFORE FIRST USE

- Rinse all the removable parts.
- Before using your coffee maker for the first time, run a cycle without coffee to rinse the circuit. Fill the water tank to the maximum level and start a cycle by pressing the **Grind off** button (1).
- **IMPORTANT:** Your machine has been designed to work with cold or water at room temperature only.

## SETTING THE CLOCK



Plug your appliance. The display **(8)** will light up to indicate that the clock can be set. The clock can be adjusted at any time later on. **Fig. 1 and 2.**

- Repeatedly press the hour button **(4)** to set the hours. **Fig. 2.**
- Repeatedly press the minute button **(6)** to set the minutes. The display will light up within a few seconds and the time will appear on the screen. **Fig. 2.**
- **NOTE:** You can adjust or change the time. You can adjust the time setting by using the Hour and Minutes buttons.

## USE

The appliance can be used for making coffee with coffee beans or ground coffee. Before first use, the appliance is set to make coffee with coffee beans. After each use, the appliance will memorize the last setting used for the next use: making coffee with coffee beans or making coffee with ground coffee.

The appliance can only be used when the display is activated. If the display is not activated, press any button to activate the display. The appliance is ready for use.

Before you proceed, we need you to pay attention to the following notes:

- Keep your hands, face and other body parts away from the steam hole. The steam from the appliance becomes very hot during use.
- Do not cover the steam hole.

## MAKING COFFEE

### Making coffee with coffee beans

Before you proceed, we would like you to focus your attention on the following notes:

- Only use coffee beans.
- Only use paper coffee filters or permanent filter.
- Open the lid and fill the water reservoir **(15)** with the required amount of water. **Fig. 3 and 4.**
- Do not fill the water reservoir with more water than required for making the coffee.
- Fill the coffee bean compartment **(13)** completely with coffee beans **Fig. 9.**
- Close the lid **(14).**
- Set the ground coffee fineness. Refer to the section “Setting the ground coffee fineness” **Fig. 8.**
- Press the Release button **(12)** to open the filter holder **Fig. 6.**
- Place a suitable paper filter or permanent filter in the coffee filter holder **(10)** **Fig. 7a or 7b.**
- Close the filter holder until the Release button **(12)** clicks into place.

**Note:** The appliance can only be used when the display is activated. If the display is not activated, press any button to activate the display. The appliance is ready for use.

- Set the coffee quantity. The coffee quantity selector **(3)** is used for setting the required coffee quantity. The coffee quantity selector **(3)** can be set to 2, 4, 6, 8 or 10 cups.
- Set the coffee strength. The coffee strength selector **(7)** is used for setting the required coffee strength. The coffee strength selector **(7)** can be set to mild coffee (MILD), medium coffee (MEDIUM) and strong coffee (STRONG)
- Place the glass carafe **(17)** on the heating plate **(18).**



- Switch on the appliance by pressing the Grind and Brew button **(1)**. The cup-of-coffee symbol **(E)** appears (Keep warm function).
- After a few seconds, the appliance starts grinding the coffee beans and making the coffee.
- To interrupt the process, press the Grind and Brew button **(1)**.
- If the process is completed, the appliance will beep and switch to keep-warm mode. The cup-of-coffee symbol **(E)** starts flashing. The appliance can be switched off by pressing the Grind and Brew button **(1)** or the appliance switches off automatically after 2 hours.

## Making coffee with ground coffee

Before you proceed, we would like you to focus your attention on the following notes:

- Only use ground coffee.
- Only use paper coffee filters or the permanent filter that are suitable for the appliance.
- Fill the water reservoir **(15)** with the required amount of water.
- Do not fill the water reservoir with more water than required for making the coffee.
- Press the Release button **(12)** to open the filter holder **Fig. 6**.
- Place a suitable paper filter or permanent filter in the coffee filter holder **(10)** **Fig.7a or 7b**.
- Put the required amount of coffee in the coffee filter.
- Close the filter holder **(10)** until the Release button **(12)** clicks into place.
- Place the glass carafe **(17)** on the heating plate **(18)**.
- Switch on the appliance by pressing the Grind off button **(2)**. The cup-of-coffee symbol **(E)** appears.
- To interrupt the process, press the Grind off button **(2)**.
- If the process is completed, the appliance will beep and switch to keep-warm mode. The cup-of-coffee symbol **(E)** starts flashing. The appliance can be switched off by pressing the Grind off button **(2)** or the appliance switches off automatically after 2 hours.

## Setting the coffee quantity

The coffee quantity selector **(3)** is used for setting the required coffee quantity. The coffee quantity selector **(3)** can be set to 2, 4, 6, 8 or 10 cups.

## Setting the coffee strength (B)

The coffee strength selector **(7)** is used for setting the required coffee strength. The coffee strength selector **(7)** can be set to mild coffee (MILD), medium coffee (MEDIUM) and strong coffee (STRONG).

**Note:** The appliance can only be used when the display is activated. If the display is not activated, press any button to activate the display. The appliance is ready for use.

- Repeatedly press the coffee strength selector **(7)** to set the coffee strength. The coffee strength **(B)** is shown on the display **(8)**.

## Setting the ground coffee fineness (Fig. 8)

The ground coffee fineness selector **(9)** is used for setting the required fineness of the ground coffee when using coffee beans. The ground coffee fineness selector **(9)** can be set to different positions from fine ground coffee to coarse ground coffee.

- Turn the ground coffee fineness selector **(9)** to the required position to set the fineness of the ground coffee.

## Auto start function

The appliance has an auto start function which makes it possible to program the time for





starting the coffee-making process.

**Note:** The appliance can only be used when the display is activated. If the display is not activated, press any button to activate the display. The appliance is ready for use.

- Set the clock. Check whether the clock has already been set. If the clock has not been set, refer to the section “Setting the clock”.
- Keep the Auto start button **(5)** pressed until the clock on the display flashes.
- Repeatedly press the Hour button **(6)** to set the hours.
- Repeatedly press the Minutes button **(7)** to set the minutes.
- Set the coffee quantity. Refer to the section “Setting the coffee quantity”.
- Set the coffee strength. Refer to the section “Setting the coffee strength”.
- If you want to make coffee with ground coffee, switch off the grinding function before using the auto start function.
- Press the Auto start button **(5)** to save the settings. The timer indicator **(C)** light will continuously glow.
- To interrupt the process, press the Auto start button **(5)** again. The timer indicator **(C)** will turn off.

## CLEANING AND MAINTENANCE

- To dispose of used ground coffee, remove the filter and the filter holder of the coffee maker.
- Throw the coffee grounds and filter paper in the garbage.
- Do not clean the appliance if it is still hot.
- Wash the carafe, the removable filter holder and the permanent filter with warm, soapy water.
- CAUTION: Do not place the carafe in the microwave.
- Do not put any parts of the coffee maker into the dishwasher.
- Clean the coffee maker with a damp cloth or sponge. Never use abrasive or strong products on any part of the coffee maker.
- To clean the stainless steel parts of your coffee maker, dampen a soft cloth or sponge with warm water. Wipe carefully with a dry cloth.
- For difficult stains, use a cloth with white vinegar.
- Do not immerse the appliance in water or under the faucet.

### Cleaning the grinding compartment (Fig. 10 and 11)

When grinding coffee beans, coffee powder can clog the grinding mechanism. The grinding compartment **(19)** should be cleaned at least every 2 weeks to prevent the grinding mechanism from being clogged.

- Before you proceed, we would like you to focus your attention on the following notes:
  - Before cleaning the grinding compartment, take the following actions:
    - Switch off the appliance.
    - Remove the plug from the wall socket.
    - Remove the coffee carafe from the heating plate.
    - Empty the coffee filter holder. Place a suitable coffee filter. Close the filter holder.
- Remove the cover by pressing with a tooth pick or similar non metallic object and pulling the cover simultaneously **Fig. 10**.
- Clean the grinding compartment **(19)** using the brush **(21)**.
- Replace the cover.
- Do not clean the machine if it is still hot.



## DESCALING

### ■ Why descale

–Limestone forms naturally in your coffee maker. Descaling preserves the coffee maker and ensures it will last longer and provide quality coffee over time. Limestone can permanently affect the machine's performance. Malfunctions associated with scaling will not be covered by the warranty if the product is returned.

### ■ When to descale

- The appliance must be descaled after 70 brewing cycles. If you leave the appliance plugged into the wall, the appliance will keep track of the number of brewing cycles. The indicator **(D)** will flash on the display to indicate that the appliance must be descaled. If the appliance must be descaled, use the KRUPS descaling solution® or 5 fl.oz of white vinegar diluted in 17 fl.oz of cold or water at room temperature or 1.5 oz of citric acid diluted in 17 fl.oz until the crystals have completely dissolved.
- However, the descaling frequency depends on the hardness of the water and the number of BREW cycles. It may be necessary to descale your coffee machine more frequently if you notice the following signs, even if the The indicator **(D)** **does not** flash on the display: longer cycle time, excessive steaming, more noise at the end of the cycle, stopping mid-cycle **this means that your machine needs to be descaled.**
- Descaling should be done every other month, depending on the hardness of the water.

### How to descale your KRUPS coffee maker

- Use the KRUPS descaling solution® or 5 fl. oz of white vinegar diluted in 17 fl.oz of cold or water at room temperature or 1.5 oz of citric acid diluted in 17 fl. oz until the crystals have completely dissolved.
- Pour the solution into the water reservoir (without coffee).
- Press Grind off button **(2)**.
- Please wait until the end of the cycle.
- To rinse the machine, run 2 full 10 cups cycles with water but without coffee.
- Repeat the operation if needed.
- When the descaling cycle is finished, press 2-10 cups button **(2)** as well as the coffee strength selector **(7)** to reset the descaling function. The descaling indicator **(D)** will not light up anymore.
- **The warranty does not cover coffee makers that do not work, or do so poorly, due to lack of descaling.**

### NEVER PUT GROUND COFFEE IN THE WHOLE BEAN COFFEE CONTAINER

Use of coffee beans that are oily, caramelized or flavored is not recommended for this machine. This type of bean may damage the machine.

Make sure that no foreign objects such as small stones among the coffee beans enter the coffee container. Any damage due to foreign objects having entered the coffee container is not covered by the warranty. Do not put water in the coffee bean container



## TROUBLESHOOTING

PROBLEM	SOLUTION
The coffee does not BREW or the appliance does not turn on.	<p>Make sure the appliance is plugged into a working outlet and the screen flashes.</p> <p>The water tank is empty.</p> <p>There is a power outage.</p> <p>Unplug the machine, then plug it back in.</p> <p>The clock should be reprogrammed after a power outage.</p>
The appliance seems to leak.	Make sure the water reservoir has not been filled beyond the maximum limit.
Brewing takes a long time.	<p>It may be time to descale the appliance.</p> <p>Several minerals can accumulate in the coffee maker's circuitry. Regular descaling of the machine is recommended. This may need to be done more often depending on the hardness of your water. For more information, please consult the "Descaling" section.</p> <p>CAUTION: do not take the appliance apart.</p>
The filter basket overflows or the coffee flows too slowly.	<p>The coffee maker needs cleaning.</p> <p>There is too much coffee. We recommend using one measuring spoon or one tablespoon of ground coffee per cup.</p> <p>The ground coffee is too fine (Please note that: ground coffee for espresso won't work in a drip coffee maker).</p> <p>There is ground coffee lodged between the paper filter and the filter holder.</p> <p>The paper filter is not opened properly or is not well placed.</p> <p>Rinse the filter holder before inserting the paper filter so it will adhere to the damp walls of the filter basket.</p> <p>Be sure you have not inserted a paper filter at the same time as the permanent filter.</p> <p>There is more than one paper filter in the filter holder.</p> <p>Make sure the filter basket is pushed down all the way.</p>
The coffee tastes bad.	<p>Clean the coffee maker.</p> <p>The ground coffee is not right for your coffee maker.</p> <p>The proportion of coffee and water is not sufficient. Adjust to suit your taste.</p> <p>The quality and freshness of the coffee is not the best.</p> <p>The water is of poor quality.</p>
The coffee does not flow.	<p>See if there is water in the water tank.</p> <p>The coffee flow system may be obstructed. You may clean it simply by rinsing with water.</p>
The time is not correct (there is a time difference).	The timer is synchronized and depends on your electrical network. If there is a time difference, we recommend that you program the time once a week to be sure it is correct.
You have used ground coffee instead of coffee beans.	Use your vacuum cleaner to remove the pre-ground coffee from the coffee bean container.
You put water in the coffee bean compartment.	Bring your coffee machine to the customer service.

If your appliance does not always work properly, call customer service in your country.



# KRUPS INTERNATIONAL LIMITED GUARANTEE

 : [www.krups.com](http://www.krups.com)

This product is **repairable** by KRUPS during and after the **guarantee period**.

Accessories, consumables and end-user replaceable parts can be purchased, if locally available, as described on the KRUPS internet site [www.krups.com](http://www.krups.com)

## The Guarantee:

This product is guaranteed by KRUPS (company address and details included in the country list of the KRUPS International Guarantee) against any manufacturing defect in materials or workmanship for a period of 2 years starting from the initial date of purchase or delivery date.

The international manufacturer's guarantee by KRUPS is an extra benefit which does not affect consumer's Statutory Rights.

The international manufacturer's guarantee covers all costs related to restoring the proven defective product so that it conforms to its original specifications, through the repair or replacement of any defective part and the necessary labour. At KRUPS's choice, a replacement product may be provided instead of repairing a defective product. KRUPS's sole obligation and your exclusive resolution under this guarantee are limited to such repair or replacement.

## Conditions & Exclusions:

The international KRUPS guarantee only applies within the guarantee period and for those countries listed in the country list attached and is valid only on presentation of a proof of purchase. The product can be taken directly in person to an authorised service centre or must be adequately packaged and returned, by recorded delivery (or equivalent method of postage), to a KRUPS authorised service centre. Full address details for each country's authorised service centres are listed on KRUPS website ([www.krups.com](http://www.krups.com)) or by calling the appropriate telephone number as set out in the country list to request the appropriate postal address. KRUPS shall not be obliged to repair or replace any product which is not accompanied by a valid proof of purchase. This guarantee will not cover any damage which occurs as a result of misuse, negligence, failure to follow KRUPS instructions, use on current or voltage other than as stamped on the product, or a modification or unauthorised repair of the product. It also does not cover normal wear and tear, maintenance or replacement of consumable parts, or the following:

- using the wrong type of water or consumable	- ingress of water, dust or insects into the product (excluding appliances with features specifically designed for insects)
- damage as a result of lightning or power surges	- mechanical damages, overloading
- scaling (any de-scaling must be carried out according to the instructions for use)	- accidents including fire, flood, thunderbolt, etc
- damages or poor results due to wrong voltage or frequency	- damage to any glass or porcelain ware in the product
- professional or commercial use	

This guarantee does not apply to any product that has been tampered with, or to damages incurred through improper use and care, faulty packaging by the owner or mishandling by any carrier.

In order to offer the best possible after-sales service and constantly improve customer satisfaction, KRUPS may send a satisfaction survey to all customers who have had their product repaired or exchanged in a KRUPS authorised service centre.

The international KRUPS guarantee applies only for products purchased in one of the countries listed, and used for domestic purposes only in one of the countries listed on the Country List. Where a product purchased in one listed country and then used in another listed country:

- a. The international KRUPS guarantee does not apply in case of non conformity of the purchased product with the local standards, such as voltage, frequency, power plugs, or other local technical specifications
- b. The repair process for products purchased outside the country of use may require a longer time if the product is not locally sold by KRUPS
- c. In cases where the product is not repairable in the new country, the international KRUPS guarantee is limited to a replacement by a similar product or an alternative product at similar cost, where possible.

## Consumer Statutory Rights :

This international KRUPS guarantee does not affect the statutory rights a consumer may have or those rights that cannot be excluded or limited, nor rights against the retailer from which the consumer purchased the product. This guarantee gives a consumer specific legal rights, and the consumer may also have other legal rights which vary from State to State or Country to Country. The consumer may assert any such rights at his sole discretion.

**For Australia only:** Our goods come with guarantees that cannot be excluded under the Australian Consumer Law. You are entitled to a replacement or refund for a major failure and compensation for any other reasonably foreseeable loss or damage. You are also entitled to have the goods repaired or replaced if the goods fail to be of acceptable quality and the failure does not amount to a major failure.

\*\*\* Please keep this document for your reference should you wish to make a claim under the guarantee



# TABLE DES MATIÈRES

	PAGE
1. Consignes de sécurité.....	12
2. Description .....	14
3. Avant la première utilisation .....	14
4. Réglage de l'horloge .....	15
5. Utilisation.....	15
6. Préparation du café .....	15
7. Nettoyage et entretien.....	17
8. Détartrage .....	18
9. Dépannage .....	19
10. KRUPS garantie internationale .....	21

FRANÇAIS



## CONSIGNES DE SÉCURITÉ

# CONSIGNES IMPORTANTES DE SÉCURITÉ

Lorsque vous utilisez un appareil électrique, des consignes de sécurité élémentaires doivent toujours être observées pour réduire les risques de feu, de décharge électrique et de blessures, y compris les suivantes :

1. Lire le mode d'emploi entier.
2. Ne pas toucher les surfaces chaudes; utiliser les poignées ou les boutons.
3. Pour se protéger des incendies, des décharges électriques et des blessures, ne pas immerger la machine dans l'eau ni dans tout autre liquide.
4. Avant de procéder au nettoyage, débranchez l'appareil ou l'horloge d'affichage s'ils ne sont pas utilisés. Laissez refroidir l'appareil avant d'ajouter ou de retirer des pièces, et avant de le nettoyer.
5. Débrancher l'appareil de la prise murale lorsqu'il n'est pas utilisé ou pour le nettoyer. Laissez l'appareil refroidir avant d'ajouter ou d'enlever des pièces.
6. L'utilisation d'accessoires qui ne sont pas recommandés ou vendus par le fabricant peut provoquer un incendie, une décharge électrique ou des blessures.
7. L'utilisation d'accessoires non recommandés ni vendus par le fabricant peut causer des feux, des décharges électriques ou des blessures.
8. Ne pas utiliser à l'extérieur.
9. Le cordon ne doit pas pendre de la table ou du comptoir, ni toucher à des surfaces chaudes.
10. Ne pas placer l'appareil sur ou près d'un brûleur au gaz ou électrique, ni dans un four chaud.
11. Toujours brancher le cordon à l'appareil en premier, puis sur la prise murale. Pour débrancher, tourner le bouton de commande à la position « OFF » puis retirer la fiche de la prise murale.
12. Ne pas utiliser l'appareil pour une autre fonction que celle pour laquelle il a été conçu.
13. La verseuse est conçue pour être utilisée avec cet appareil; ne jamais l'utiliser sur une cuisinière.
14. Ne pas déposer une verseuse chaude sur une surface froide ou humide.
15. Ne pas utiliser un récipient fêlé ou qui présente une faiblesse à la poignée.
16. Ne pas nettoyer la verseuse avec des nettoyeurs, des éponges métalliques ni avec tout autre produit abrasif.
17. Le retrait du couvercle pendant les cycles d'infusion peut causer des blessures.
18. Évitez tout contact avec les parties mobiles.
19. Avant utilisation, assurez-vous que la trémie ne contient pas de corps étrangers.
20. Cet appareil dispose d'une fiche polarisée (une broche plus large que l'autre). Pour réduire le risque d'une décharge électrique, cette fiche est prévue pour rentrer dans une prise polarisée d'une seule façon. Si la fiche ne rentre pas complètement dans la prise, inversez le sens. Si le problème persiste, contactez un technicien qualifié. N'essayez pas de modifier la fiche de quelque manière que ce soit.



# CONSERVEZ CES INSTRUCTIONS

## ATTENTION

Cet appareil est conçu pour une utilisation domestique seulement. Tout entretien autre que le nettoyage et l'entretien normal de l'appareil par son propriétaire doit être effectué par un centre de service agréé de Krups uniquement. Visitez notre site Web [www.krups.ca](http://www.krups.ca) au Canada ou communiquez avec le service à la clientèle pour connaître le centre de service le plus près de chez vous. Afin de réduire les risques de feu et de décharge électrique, ne pas démonter la base de l'appareil. Toute réparation doit être effectuée par un centre de service agréé de Krups uniquement.

## INSTRUCTIONS POUR LE CORDON COURT

- A. Un cordon d'alimentation court ou amovible est fourni avec l'appareil pour éviter qu'il ne s'emmêle ou ne fasse trébucher quelqu'un.
- B. Des rallonges et des cordons plus longs peuvent être utilisés, mais l'utilisateur doit prendre les précautions nécessaires.
- C. Si vous utilisez une rallonge ou un cordon d'alimentation plus long :
  - 1) Le calibre spécifié sur le cordon ou la rallonge doit être égal ou supérieur à celui indiqué sur l'appareil.
  - 2) Si l'appareil est mis à la terre, le cordon ou la rallonge doit être du type mis à la terre (à 3 fils).
  - 3) Le cordon d'alimentation doit être placé de façon qu'il ne pende pas du plan de travail ou du haut de la table, car un enfant pourrait tirer dessus ou trébucher accidentellement. L'appareil peut être équipé d'une prise polarisée (une lame est plus large que l'autre). Pour réduire les risques de décharges électriques, cette fiche ne peut se brancher que dans un sens. Si la fiche ne rentre pas correctement dans la prise murale, mettez-la dans l'autre sens. Si elle ne rentre toujours pas, contactez un électricien. N'essayez en aucune façon de modifier la prise.

## CONSIGNES DE SÉCURITÉ SUPPLÉMENTAIRES

- Votre machine a été conçue pour un usage domestique seulement.
- Il n'a pas été conçu pour être utilisé dans les cas suivants qui ne sont pas couverts par la garantie: dans des coins de cuisines réservés au personnel dans des magasins, bureaux et autres environnements professionnels; dans des fermes; Par les clients des hôtels, motels et autres environnements à caractère résidentiel; dans des environnements de type chambres d'hôtes.
- Cet appareil n'est pas conçu pour être utilisé par des enfants et des personnes ne possédant pas de connaissances ou d'expérience quant au produit, à moins qu'une personne responsable de leur sécurité ne les supervise ou ne leur donne des instructions préalables.
- Tout contact avec la base, de l'eau chaude ou de la vapeur peut provoquer des brûlures. Faites preuve de prudence.
- Tout appareil est soumis à un contrôle de qualité très strict qui comprend des tests d'utilisation réelle sur des appareils sélectionnés au hasard, ce qui expliquerait toute trace légère d'usage ou résidus de café avant l'utilisation.



- Ne pas verser de liquides dans le réservoir d'eau autres que de l'eau ou les solutions de détartrage spécifiées dans ce guide.
- Protéger l'appareil contre l'humidité et la congélation.
- Ne pas verser de l'eau dans l'appareil s'il est encore chaud.
- Toujours installer votre cafetière sur un plan de travail plat, stable et résistant à la chaleur, loin des éclaboussements d'eau et de toute source externe de chaleur.
- Ne jamais mettre votre verseuse ou votre cafetière isolée dans un four à microondes, au lave-vaisselle ou sur une cuisinière.
- Ne jamais mettre votre main à l'intérieur de la cafetière isolée.
- Ne pas utiliser la verseuse ou la cafetière isolée sans le couvercle.
- Ne pas utiliser la verseuse isotherme si la partie intérieure en verre est cassée, car des morceaux de verre pourraient être transférés dans votre tasse.
- Dans l'intérêt d'améliorer ses produits, Krups se réserve le droit de modifier les caractéristiques sans avis préalable.
- Un cordon électrique court est fourni afin de réduire les risques d'emmêlement et de trébuchement accidentel liés à l'utilisation d'un plus long cordon.
- Cet appareil n'est pas prévu pour être utilisé par des personnes (y compris les enfants) dont les capacités physiques, sensorielles ou mentales sont réduites ou des personnes dénuées d'expérience ou de connaissance, sauf si elles ont pu bénéficier, par l'intermédiaire d'une personne responsable de leur sécurité, d'une surveillance ou d'instructions préalables concernant l'utilisation de l'appareil.

Il convient de surveiller les enfants pour s'assurer qu'ils ne jouent pas avec l'appareil.

## DESCRIPTION

Votre cafetière a été conçue pour préparer du café avec du café en grains ou du café moulu. L'appareil est conçu exclusivement pour une utilisation à l'intérieur. L'appareil est conçu exclusivement pour une utilisation domestique.

- |                                      |  |
|--------------------------------------|--|
| 1. Touche Grind brew                 | 9. Sélecteur de finesse du café moulu  |
| 2. Touche Grind off                  | 10. Porte-filtre à café                |
| 3. Sélecteur de quantité de café     | 11. Filtre permanent                   |
| 4. Touche Hr pour les heures         | 12. Bouton d'ouverture (porte-filtre). |
| 5. Fonction de démarrage automatique | 13. Récipient à café en grains         |
| 6. Touche Minutes                    | 14. Couvercle                          |
| 7. Sélecteur d'intensité de café     | 15. Réservoir d'eau                    |
| 8. Écran                             | 16. Indicateur de niveau d'eau         |
| A. Indicateur de quantité de café    | 17. Carafe en verre                    |
| B. Indicateur d'intensité du café    | 18. Plaque chauffante                  |
| C. Indicateur de minuterie           | 19. Compartiment de nettoyage          |
| D. Indicateur de détartrage          | 20. Brosse                             |
| E. Indicateur de réchaud             |  |





## AVANT LA PREMIÈRE UTILISATION

- Rincez tous les accessoires.
- Avant d'utiliser votre cafetière pour la première fois, effectuez un cycle sans café pour rincer le circuit. Remplissez le réservoir d'eau au niveau maximum et commencez un cycle en appuyant sur la touche **Grind off (1)**.
- **IMPORTANT** : Votre machine est conçue pour fonctionner avec de l'eau froide ou à température ambiante seulement.

## RÉGLAGE DE L'HORLOGE

Branchez votre appareil. L'écran **(8)** s'allumera pour indiquer que l'horloge peut être réglée. L'horloge peut être réglée à tout moment par la suite. **Fig. 1 et 2.**

- Appuyez à répétition sur la touche Hr **(4)** pour régler les heures. **Fig. 2.**
- Appuyez à répétition sur la touche Minutes **(6)** pour régler les minutes. L'écran s'allume quelques secondes et l'heure paraît. **Fig. 2.**
- **REMARQUE** : Vous pouvez régler ou changer l'heure. Vous pouvez régler l'heure avec les touches Hr et Minutes.

## UTILISATION

L'appareil peut être utilisé pour préparer du café avec du café en grains ou du café moulu. Avant la première utilisation, l'appareil est réglé pour préparer du café avec du café en grains. Après chaque utilisation, l'appareil mémorise le dernier réglage utilisé pour la prochaine utilisation : café en grains ou café moulu.

L'appareil peut uniquement être utilisé lorsque l'écran est activé. Si l'écran n'est pas activé, appuyez sur n'importe quelle touche pour l'activer. L'appareil est prêt à être utilisé.

Prenez connaissance de ce qui suit avant de continuer :

- Gardez vos mains, votre visage et les autres parties de votre corps à l'écart de la sortie de vapeur. La vapeur provenant de l'appareil devient très chaude pendant l'utilisation.
- Ne couvrez pas la sortie de vapeur.

## PRÉPARATION DU CAFÉ

### Préparation du café avec des grains de café

Prenez connaissance de ce qui suit avant de continuer :

- Utilisez uniquement des grains de café.
- Utilisez uniquement des filtres à café ou un filtre permanent.
- Soulevez le couvercle et remplissez le réservoir d'eau **(15)** avec la quantité d'eau requise. **Fig. 3 et 4.**
- Ne remplissez pas le réservoir d'eau avec plus d'eau que nécessaire pour faire le café. Utilisez uniquement la quantité d'eau requise pour faire le café.
- Remplissez complètement le compartiment à grains de café **(13)** avec des grains de café **Fig. 9.**
- Refermez le couvercle **(14)**.



- Choisissez la finesse du café moulu. Consultez la section « Choix de la finesse du café moulu » **Fig. 8**.
- Appuyez sur le bouton Ouverture **(12)** pour ouvrir le porte-filtre **Fig. 6**.
- Placez un filtre en papier approprié ou un filtre permanent dans le porte-filtre **(10)** **Fig. 7a ou 7b**.
- Fermez le porte-filtre jusqu'à ce que le bouton Ouverture **(12)** fasse un clic.

**Remarque :** L'appareil peut uniquement être utilisé lorsque l'écran est activé. Si l'écran n'est pas activé, appuyez sur n'importe quelle touche pour l'activer. L'appareil est prêt à être utilisé.

- Choisissez la quantité de café. Le sélecteur de quantité de café **(3)** est utilisé pour choisir la quantité de café requise. Le sélecteur de quantité de café **(3)** peut être réglé à 2, 4, 6, 8 ou 10 tasses.
- Choisissez l'intensité du café. Le sélecteur d'intensité du café **(7)** est utilisé pour choisir l'intensité de café requise. Le sélecteur d'intensité du café **(7)** peut être réglé à café doux (MILD), café moyen (MEDIUM) et café fort (STRONG).
- Placez la carafe en verre **(17)** sur la plaque chauffante **(18)**.
- Allumez l'appareil en appuyant sur la touche Grind brew **(1)**. Le symbole tasse de café **(E)** paraît (fonction de réchaud).
- Après quelques secondes, l'appareil commence à mouliner les grains de café et à préparer du café.
- Pour interrompre le processus, appuyez sur la touche Grind brew **(1)**.
- Si le processus est terminé, l'appareil sonnera et passera en mode réchaud. Le symbole de tasse de café **(E)** commencera à clignoter. L'appareil peut être éteint en appuyant sur la touche Grind brew **(1)**, sinon l'appareil s'éteindra automatiquement après deux heures.

## Préparation du café avec du café moulu

Prenez connaissance de ce qui suit avant de continuer :

- Utilisez uniquement du café moulu.
- Utilisez uniquement des filtres à café en papier ou le filtre permanent qui conviennent à l'appareil.
- Remplissez le réservoir d'eau **(15)** avec la quantité d'eau requise.
- Ne remplissez pas le réservoir d'eau avec plus d'eau que nécessaire pour faire le café. Utilisez uniquement la quantité d'eau requise pour faire le café.
- Appuyez sur le bouton Ouverture **(12)** pour ouvrir le porte-filtre **Fig. 6**.
- Placez un filtre en papier approprié ou un filtre permanent dans le porte-filtre **(10)** **Fig. 7a ou 7b**.
- Mettez la quantité de café requise dans le filtre à café.
- Fermez le porte-filtre **(10)** jusqu'à ce que le bouton Ouverture **(12)** fasse un clic.
- Placez la carafe en verre **(17)** sur la plaque chauffante **(18)**.
- Allumez l'appareil en appuyant sur la touche Grind off **(2)**. Le symbole de tasse de café **(E)** paraît.
- Pour interrompre le processus, appuyez sur la touche Grind off **(2)**.
- Si le processus est terminé, l'appareil sonnera et passera en mode réchaud. Le symbole de tasse de café **(E)** commencera à clignoter. L'appareil peut être éteint en appuyant sur la touche Grind off **(2)**, sinon l'appareil s'éteindra automatiquement après deux heures.

## Choix de la quantité de café

Le sélecteur de quantité de café **(3)** est utilisé pour choisir la quantité de café requise. Le sélecteur de quantité de café **(3)** peut être réglé à 2, 4, 6, 8 ou 10 tasses.



## Choix de l'intensité du café (B)

Le sélecteur d'intensité du café (7) est utilisé pour choisir l'intensité de café requise. Le sélecteur d'intensité du café (7) peut être réglé à café doux (MILD), café moyen (MEDIUM) et café fort (STRONG)

**Remarque :** L'appareil peut uniquement être utilisé lorsque l'écran est activé. Si l'écran n'est pas activé, appuyez sur n'importe quelle touche pour l'activer. L'appareil est prêt à être utilisé.

- Appuyez plusieurs fois sur le sélecteur d'intensité du café (7) pour sélectionner l'intensité du café. L'intensité du café (B) paraît à l'écran (8).

## Réglage de la finesse du café moulu (Fig. 8)

Le sélecteur de finesse de café moulu (9) est utilisé pour choisir la finesse du café moulu lorsque vous utilisez des grains de café. Le sélecteur de finesse de café moulu (9) peut être réglé à diverses positions, de fin à grossier.

- Tournez le sélecteur de finesse de café moulu (9) à la finesse désirée.

## Fonction de démarrage automatique

L'appareil est muni d'une fonction de démarrage automatique qui permet de programmer l'heure de mise en marche du processus de préparation du café.

**Remarque :** L'appareil peut uniquement être utilisé lorsque l'écran est activé. Si l'écran n'est pas activé, appuyez sur n'importe quelle touche pour l'activer. L'appareil est prêt à être utilisé.

- Réglez l'horloge. Vérifiez si l'horloge a déjà été réglée. Si l'horloge n'a pas été réglée, consultez la section « Réglage de l'horloge ».
- Appuyez sur la touche Auto on (5) et tenez-la enfoncée jusqu'à ce que l'horloge clignote à l'écran.
- Appuyez à répétition sur la touche Hr (6) pour régler les heures.
- Appuyez à répétition sur la touche Minutes (7) pour régler les minutes.
- Choisissez la quantité de café. Consultez la section « Choix de la quantité de café ».
- Choisissez l'intensité du café. Consultez la section « Choix de l'intensité du café ».
- Si vous voulez préparer du café avec du café moulu, éteignez la fonction de mouture avant d'utiliser la fonction de démarrage différé.
- Appuyez sur la touche Auto start (5) pour enregistrer les paramètres. L'indicateur de minuterie (C) demeure allumé.
- Pour interrompre le processus, appuyez sur la touche Auto start (5) à nouveau. L'indicateur de minuterie (C) s'éteint.

## NETTOYAGE ET ENTRETIEN

- Pour jeter le café moulu utilisé, retirez le filtre et le porte-filtre de la cafetière.
- Jetez le marc de café et le papier-filtre à la poubelle.
- Ne nettoyez pas l'appareil s'il est encore chaud.
- Nettoyez la carafe, le porte-filtre amovible et le filtre permanent avec de l'eau chaude et savonneuse.

**ATTENTION : Ne mettez pas la carafe au micro-ondes.**

**Ne mettez aucune partie de la cafetière au lave-vaisselle.**

- Nettoyez la cafetière avec un chiffon ou une éponge humide. N'utilisez jamais de



nettoyants abrasifs ou de produits puissants sur la moindre partie de la cafetière.

- Pour nettoyer les éléments en inox de la cafetière, mouillez un chiffon doux ou une éponge avec de l'eau chaude. Essuyez soigneusement avec un chiffon sec.
- Utilisez un chiffon et du vinaigre blanc pour éliminer les taches coriaces.
- Ne plongez pas l'appareil dans l'eau et ne le mettez pas sous l'eau courante.

## Nettoyage du compartiment à mouture (Fig. 10 et 11)

Lorsque vous moulez les grains de café, la poudre de café peut bloquer le mécanisme de mouture. Le comportement de mouture (19) peut être nettoyé aux deux semaines pour empêcher le mécanisme de bloquer.

- Prenez connaissance de ce qui suit avant de continuer :
  - Avant de nettoyer le compartiment de mouture, procédez comme suit :
    - Éteignez l'appareil.
    - Débranchez le cordon d'alimentation de la prise murale.
    - Retirez le pot à café de la plaque chauffante.
    - Videz le porte-filtre à café. Placez un filtre à café approprié. Fermez le porte-filtre.
- Retirez le couvercle.
- Nettoyez le compartiment à mouture (19) avec la brosse (21).
- Placez le couvercle.
- Ne nettoyez pas la machine si elle est encore chaude.

## DÉTARTRAGE

### ■ Pourquoi détartrer

– Du calcaire se forme naturellement dans votre cafetière. Le détartrage préserve la cafetière et lui permet d'offrir du café de qualité plus longtemps. Le calcaire peut nuire au rendement de l'appareil de manière permanente. Les défaillances associées au calcaire ne seront pas couvertes par la garantie si le produit est retourné.

### ■ Quand détartrer

- L'appareil doit être détartré tous les 70 cycles d'infusion. Si vous laissez le cordon d'alimentation branché sur la prise murale, l'appareil gardera le compte de cycles d'infusion. L'indicateur (D) clignotera à l'écran pour indiquer que l'appareil doit être détartré. Si l'appareil doit être détartré, utilisez le produit KRUPS descaling solution® ou 5 onces liquides de vinaigre blanc dilué dans 17 onces liquides d'eau froide ou à température ambiante ou 1,5 once d'acide citrique dilué dans 17 onces liquides d'eau jusqu'à ce que les cristaux soient complètement dissous.
- Cependant, la fréquence de détartrage dépend de la dureté de l'eau et du nombre de cycles d'infusion. Il peut être nécessaire de détartrer votre cafetière si vous remarquez les signes suivants, même si l'indicateur (D) **ne clignote pas** sur l'écran : un cycle d'infusion plus long, plus de bruit à la fin du cycle et un arrêt à la moitié du cycle **signifient que votre appareil doit être détartré.**
- Le détartrage doit être effectué environ une fois par mois, selon la dureté de l'eau.

## Comment détartrer votre cafetière KRUPS

- Utilisez le produit KRUPS descaling solution® ou 5 onces liquides de vinaigre blanc dilué dans 17 onces liquides d'eau froide ou à température ambiante ou 1,5 once d'acide citrique dilué dans 17 onces liquides d'eau jusqu'à ce que les cristaux soient complètement dissous.
- Versez la solution dans le réservoir d'eau (sans café).



- Appuyez sur la touche Grind off **(2)**.
- Attendez la fin du cycle.
- Pour rincer la machine, lancez deux cycles complets de 10 tasses avec de l'eau mais sans café.
- Répétez l'opération au besoin.
- Lorsque le cycle de détartrage est terminé, appuyez sur la touche Grind off **(2)** et sur le sélecteur d'intensité du café **(7)** pour réinitialiser la fonction de détartrage. L'indicateur de détartrage **(D)** s'éteint.
- **La garantie ne couvre pas les cafetières qui ne fonctionnent pas ou qui fonctionnent mal à cause du manque de détartrage.**

## NE METTEZ JAMAIS DU CAFÉ MOULU DANS LE RÉCIPIENT À CAFÉ EN GRAINS

L'utilisation de café en grains huileux, caramélisé ou aromatisé n'est pas conseillée pour cette machine. Ce type de café en grains peut endommager la machine.

Assurez-vous qu'aucun corps étranger, tel que des petites pierres parmi le café en grains, ne rentre dans le récipient à café en grains. Tout dommage attribuable à des corps étrangers dans le récipient à café en grains n'est pas couvert par la garantie. Ne mettez pas d'eau dans le récipient à café en grains.

## DÉPANNAGE

PROBLÈME	SOLUTION
Le café ne s'infuse pas ou l'appareil ne s'allume pas.	Assurez-vous que l'appareil est branché dans une prise sous tension et que l'écran clignote. Le réservoir d'eau est vide. Il y a une panne de courant. Débranchez l'appareil, puis rebranchez-le. L'horloge doit être réglée à nouveau après une panne de courant.
L'appareil semble couler.	Assurez-vous que le réservoir d'eau n'a pas été rempli au-delà du niveau maximum.
L'infusion prend beaucoup de temps.	Il peut être temps de détartrer l'appareil. De nombreux minéraux ont pu s'accumuler dans le circuit de la cafetière. Un détartrage régulier de l'appareil est recommandé. Il peut être nécessaire de le faire plus souvent selon la dureté de votre eau. Pour plus d'informations, consultez la section « Détartrage ». <b>ATTENTION : Ne démontez pas l'appareil.</b>



PROBLÈME	SOLUTION
Le porte-filtre déborde ou le café coule trop lentement.	<p>La cafetière doit être nettoyée.</p> <p>Il y a trop de café. Nous recommandons d'utiliser une cuillère à mesurer ou une cuillère à soupe de café moulu par tasse.</p> <p>Le café moulu est trop fin (notez que le café moulu pour espresso ne fonctionnera pas dans une cafetière goutte-à-goutte).</p> <p>Il y a du café moulu entre le filtre en papier et le porte-filtre.</p> <p>Le filtre en papier n'est pas bien ouvert ou n'est pas bien placé.</p> <p>Rincez le porte-filtre avant d'insérer le filtre en papier de manière à ce qu'il colle aux parois humides du porte-filtre.</p> <p>Assurez-vous que vous n'avez pas inséré un filtre en papier en même temps que le filtre permanent.</p> <p>Il y a plus d'un filtre en papier dans le porte-filtre.</p> <p>Assurez-vous que le porte-filtre est poussé au fond.</p>
Le café a mauvais goût.	<p>Nettoyez la cafetière.</p> <p>Le café moulu ne convient pas à votre cafetière.</p> <p>La proportion de café par rapport à l'eau n'est pas suffisante. Modifiez-la selon votre goût.</p> <p>La qualité et la fraîcheur du café ne sont pas optimales.</p> <p>L'eau est de mauvaise qualité.</p>
Le café ne coule pas.	<p>Vérifiez s'il y a de l'eau dans le réservoir d'eau.</p> <p>Le système d'écoulement du café peut être obstrué. Nettoyez-le en le rinçant à l'eau.</p>
L'horloge n'est par bonne (il y a un écart de temps).	<p>L'horloge est synchronisée et dépend de votre réseau électrique. S'il y a un écart de temps, nous vous recommandons de régler l'horloge une fois par semaine pour vous assurer qu'elle est à l'heure.</p>
Vous avez utilisé du café moulu au lieu du café en grains.	<p>Utilisez votre aspirateur pour enlever le café pré-moulu du récipient à café en grains.</p>
Vous avez mis de l'eau dans le récipient à café en grains.	<p>Allez porter votre cafetière au service à la clientèle.</p>

Si votre appareil ne fonctionne pas correctement, appelez le service à la clientèle dans votre pays.



# KRUPS GARANTIE INTERNATIONALE

 : [www.krups.com](http://www.krups.com)

Ce produit est **réparable** par KRUPS, pendant et après la période de garantie.

Les accessoires, consommables, et autres pièces remplaçables directement par l'utilisateur, peuvent être commandés, s'ils sont disponibles localement, sur le site internet [www.krups.com](http://www.krups.com)

FRANÇAIS

## **La Garantie :**

Ce produit est garanti par KRUPS (adresse et contacts dans la liste des pays de la Garantie Internationale KRUPS) contre tout défaut de fabrication ou de matière ou de main d'oeuvre, pendant 2 ans à partir de la date d'achat initiale ou la date de livraison.

Cette Garantie Internationale du fabricant KRUPS vient en complément des droits des consommateurs.

La Garantie Internationale du fabricant couvre tous les coûts de remise en état d'un produit reconnu défectueux pour redevenir conforme à ses spécifications d'origine, par la réparation, la main-d'œuvre, et le remplacement éventuel de pièces défectueuses. Au choix de KRUPS, un produit de remplacement peut être proposé à la place de la réparation du produit défectueux. Les obligations de KRUPS dans le cadre de cette garantie se limitent exclusivement à cette réparation ou ce remplacement.

## **Conditions & Exclusions :**

Cette garantie ne couvre pas les dommages qui seraient le résultat d'une mauvaise utilisation, d'une négligence, du non respect des instructions d'utilisation et de maintenance, de l'utilisation avec une alimentation électrique non conforme à celle spécifiée sur la plaque signalétique, ou d'une modification ou d'une réparation non autorisée du produit. Elle n'inclut également pas l'usure normale du produit, ni la maintenance ou le remplacement de pièces consommables, ni les cas suivants :

- utilisation d'une eau ou d'un consommable non adapté
- entartrage (tout détartrage doit être réalisé conformément aux instructions dans le mode d'emploi)
- dommages ou dysfonctionnements dus à l'utilisation avec un voltage ou une fréquence électrique non conformes
- usage professionnel ou sur un lieu de travail
- verre ou céramique endommagé
- dommage résultant de la foudre ou surtension électrique
- entrée d'eau, de poussière, d'insectes dans le produit (hors appareils aux caractéristiques spécialement conçues pour les insectes)
- dommages mécaniques, surcharge
- tout accident lié à un feu, une inondation, etc

Cette garantie ne s'applique pas aux produits trafiqués, ou aux dommages résultant d'une utilisation impropre ou sans entretien, aux problèmes d'emballage ou de transport pendant l'expédition du produit par son propriétaire.

Afin d'offrir le meilleur service après-vente possible et d'améliorer constamment la satisfaction de ses clients, KRUPS pourra envoyer une enquête de satisfaction à tous ses clients dont le produit aura été réparé ou échangé par l'un des partenaires service agréés de KRUPS.

La Garantie Internationale de KRUPS couvre exclusivement les produits achetés dans un des pays listés, et utilisés à des fins domestiques également dans un des pays listés dans la Liste des Pays. En cas d'utilisation dans un pays différent du pays d'achat :

- a. La Garantie Internationale de de KRUPS ne s'applique qu'en cas d'adéquation du produit avec les standards et normes locales, tels que le voltage, la fréquence électrique, le type de prise électrique, ou toute autre spécification locale.
- b. Le processus de réparation pour des produits achetés en dehors du pays d'utilisation peut exiger un temps de réparation plus long si le produit n'est pas localement vendu par KRUPS.
- c. Au cas où le produit ne serait pas réparable dans le pays d'emploi, la Garantie Internationale de KRUPS est limitée au remplacement par un produit équivalent ou un produit alternatif de même valeur, si c'est possible.

## **Droits des Consommateurs :**

Cette Garantie Internationale de KRUPS n'affecte ni les droits légaux dont bénéficie tout consommateur localement, qui ne sauraient être exclus ou limités, ni les droits légaux envers un distributeur auprès de qui aurait été acheté un produit. Cette Garantie donne au consommateur des droits spécifiques, et le consommateur peut par ailleurs bénéficier des droits particuliers en fonction du Pays, de l'Etat ou de la Province. Le consommateur peut faire usage de ces droits de son seul fait.

\*\*\*Veuillez conserver ce document qui vous sera utile en cas de réclamation sous garantie.

## **Pour la France uniquement :**

**Article L 217-4 du Code de la consommation:** « Le vendeur est tenu de livrer un bien conforme au contrat et répond des défauts de conformité existant lors de la délivrance.

Il répond également des défauts de conformité résultant de l'emballage, des instructions de montage ou de l'installation lorsque celle-ci a été mise à sa charge par le contrat ou a été réalisée sous sa responsabilité. »

**Article L 217-5 du Code de la consommation:** « Pour être conforme au contrat, le bien doit :

- 1° Etre propre à l'usage habituellement attendu d'un bien semblable et, le cas échéant :



- correspondre à la description donnée par le vendeur et posséder les qualités que celui-ci a présentées à l'acheteur sous forme d'échantillon ou de modèle ;
- présenter les qualités qu'un acheteur peut légitimement attendre eu égard aux déclarations publiques faites par le vendeur, par le producteur ou par son représentant, notamment dans la publicité ou l'étiquetage ;

2° Ou présenter les caractéristiques définies d'un commun accord par les parties ou être propre à tout usage spécial recherché par l'acheteur, porté à la connaissance du vendeur et que ce dernier a accepté. »

**Article L 217-12 du Code de la consommation :** « L'action résultant du défaut de conformité se prescrit par deux ans à compter de la délivrance du bien. »

**Article L 217-16 du Code de la consommation :** « Lorsque l'acheteur demande au vendeur, pendant le cours de la garantie commerciale qui lui a été consentie lors de l'acquisition ou de la réparation d'un bien meuble, une remise en état couverte par la garantie, toute période d'immobilisation d'au moins sept jours vient s'ajouter à la durée de la garantie qui restait à courir. Cette période court à compter de la demande d'intervention de l'acheteur ou de la mise à disposition pour réparation du bien en cause, si cette mise à disposition est postérieure à la demande d'intervention. »

**Article 1641 du Code civil :** « Le vendeur est tenu de la garantie à raison des défauts cachés de la chose vendue qui la rendent impropre à l'usage auquel on la destine, ou qui diminuent tellement cet usage que l'acheteur ne l'aurait pas acquise, ou n'en aurait donné qu'un moindre prix, s'il les avait connus. »

**Article 1648, al.1er du Code civil :** « L'action résultant des vices rédhibitoires doit être intentée par l'acquéreur dans un délai de deux ans à compter de la découverte du vice. »







# ÍNDICE

## PÁGINA

1.	Medidas de seguridad importantes .....	24
2.	Descripción .....	26
3.	Antes del primer uso .....	26
4.	Configuración del reloj .....	27
5.	Uso .....	27
6.	Cómo hacer café .....	27
7.	Limpieza y mantenimiento .....	29
8.	Descalcificación .....	30
9.	Posibles problemas .....	31
10.	KRUPS garantía limitada internacional .....	32

ESPAÑOL



## MEDIDAS DE SEGURIDAD IMPORTANTES

# INSTRUCCIONES DE SEGURIDAD

Quando se usan aparatos eléctricos es necesario tomar una serie de medidas de seguridad básicas para reducir riesgos de incendio, descargas eléctricas, y/o lesiones corporales, estas medidas incluyen las siguientes:

1. Su aparato está destinado únicamente a un uso doméstico y en el interior de la casa.
2. No fue diseñada para ser utilizada en los siguientes casos, que no están cubiertos por la garantía: en rincones de cocinas destinadas al personal en tiendas, oficinas y otros entornos profesionales; en granjas; para su uso por parte de los clientes de los hoteles, moteles y otros entornos de carácter residencial; en entornos tipo habitaciones de huéspedes.
3. Este aparato no está diseñado para que lo utilicen los niños o las personas que no lo conozcan o tengan experiencia con el mismo, a menos que lo hagan bajo supervisión, o que alguien responsable por su seguridad les haya instruido previamente en el uso seguro del aparato.
4. **Desenchufe el artefacto o pantalla de reloj del tomacorriente cuando no lo esté usando y antes de limpiarlo. Deje que el artefacto se enfríe antes de colocarle o retirarle piezas y antes de limpiarlo.**
5. Todos los aparatos están sujetos a un riguroso control de calidad. Se llevan a cabo pruebas prácticas en aparatos seleccionados de forma aleatoria y esto explicaría cualquier pequeña marca de residuos de café que pudiera haber antes de usar el aparato por primera vez.
6. **El uso de accesorios no recomendados o vendidos por el fabricante pueden causar incendios, descargas eléctricas o lesiones personales.**
7. Proteja el aparato contra la humedad y heladas.
8. No vierta agua en el aparato si todavía está caliente.
9. Coloque siempre la cafetera sobre una superficie plana, estable y resistente al calor, alejada de salpicaduras de agua y fuentes de calor externas.
10. Nunca coloque la jarra o el recipiente aislado en el horno microondas, en el lavavajillas o sobre la hornilla de la cocina.
11. Nunca introduzca la mano en la jarra.
12. No use la jarra sin la tapadera.
13. No use la jarra térmica si la parte interna de vidrio estuviera quebrada. Si la parte interna de vidrio de la jarra estuviera quebrada, podrían caer en su taza trozos de vidrio.
14. Debido al empeño de mejorar sus productos, Krups se reserva el derecho a cambiar las especificaciones sin aviso previo.
15. Se suministra un cable de alimentación corto para disminuir el peligro de que se produzcan enredos o tropiezos con un cable largo.
16. **Evite el contacto con las piezas en movimiento.**
17. **Verifique que el alimentador no posea objetos extraños antes de utilizarlo.**
18. **Este artefacto tiene una clavija polarizada (una patilla es más ancha que la otra). Para reducir el riesgo de descarga eléctrica, el enchufe está diseñado para entrar en un tomacorriente polarizado de una sola manera. Si el enchufe no se inserta completamente en el tomacorriente, intente enchufarlo invirtiéndolo de posición. Si sigue sin ajustar, comuníquese con un electricista calificado. No intente cambiar la forma del enchufe.**



# CONSERVE ESTAS INSTRUCCIONES

## ¡ATENCIÓN!

Este aparato es solamente para uso doméstico. Cualquier servicio salvo limpieza y mantenimiento debe realizarse por un centro de servicio autorizado Krups. Visite nuestra página de internet en: [www.krupsusa.com](http://www.krupsusa.com) en EUA, [www.krups.ca](http://www.krups.ca) en Canadá ó [www.krups.com.mx](http://www.krups.com.mx) en México. También puede contactar a su centro de servicio más cercano. Para reducir el riesgo de incendio o choque eléctrico, no desarme el aparato. Las reparaciones deberán realizarse por un centro de Servicio Autorizado Krups.

ESPAÑOL

## INSTRUCCIONES ESPECIALES PARA EL CABLE DE ALIMENTACIÓN

- A. Con el aparato se suministra un cable de alimentación corto para reducir el riesgo de que alguien tropiece o se enrede accidentalmente en los pies.
- B. Están disponibles cables de alimentación más largos o extensiones eléctricas y pueden utilizarse teniendo precaución.
- C. Si se utiliza una extensión:
  - 1) las características eléctricas del cable o de la extensión deben ser al menos iguales a las del aparato.
  - 2) si el aparato es del tipo puesta a tierra, la extensión debe ser de tipo puesta a tierra y comprender 3 enchufes y
  - 3) el cable de alimentación o la extensión deben estar puestos de forma que no cuelguen de borde del plano de trabajo de la mesa para que los niños no puedan jalarlo o tropezar accidentalmente.

## MEDIDAS DE SEGURIDAD ADICIONALES

- Su aparato está destinado únicamente a un uso doméstico y en el interior de la casa.
- No fue diseñada para ser utilizada en los siguientes casos, que no están cubiertos por la garantía: en rincones de cocinas destinadas al personal en tiendas, oficinas y otros entornos profesionales; en granjas; para su uso por parte de los clientes de los hoteles, moteles y otros entornos de carácter residencial; en entornos tipo habitaciones de huéspedes.
- Este aparato no está diseñado para que lo utilicen los niños o las personas que no lo conozcan o tengan experiencia con el mismo, a menos que lo hagan bajo supervisión, o que alguien responsable por su seguridad les haya instruido previamente en el uso seguro del aparato.
- Si se toca la placa de calor, el agua o el vapor calientes se pueden producir quemaduras. Tome cuidado.
- Todos los aparatos están sujetos a un riguroso control de calidad. Se llevan a cabo pruebas prácticas en aparatos seleccionados de forma aleatoria y esto explicaría cualquier pequeña marca de residuos de café que pudiera haber antes de usar el aparato por primera vez.
- No vierta en el depósito de agua ningún otro líquido que no sea agua y las



soluciones descalcificadoras especificadas en este manual.

- Proteja el aparato contra la humedad y heladas.
- No vierta agua en el aparato si todavía está caliente.
- Coloque siempre la cafetera sobre una superficie plana, estable y resistente al calor, alejada de salpicaduras de agua y fuentes de calor externas.
- Nunca coloque la jarra o el recipiente aislado en el horno microondas, en el lavavajillas o sobre la hornilla de la cocina.
- Nunca introduzca la mano en la jarra.
- No use la jarra sin la tapadera.
- No use la jarra térmica si la parte interna de vidrio estuviera quebrada. Si la parte interna de vidrio de la jarra estuviera quebrada, podrían caer en su taza trozos de vidrio.
- Debido al empeño de mejorar sus productos, Krups se reserva el derecho a cambiar las especificaciones sin aviso previo.
- Se suministra un cable de alimentación corto para disminuir el peligro de que se produzcan enredos o tropiezos con un cable largo.

## DESCRIPCIÓN

Su cafetera se ha diseñado para hacer café a partir de granos de café o de café molido. El aparato está diseñado para usar en interiores únicamente. El aparato está diseñado para uso doméstico únicamente.

- |  |  |
|--|--|
| 1. Botón de molienda y colado          | 9. Selector de finura de molienda del café         |
| 2. Botón de molienda desactivada       | 10. Portafiltro                                    |
| 3. Selector de cantidad de café        | 11. Filtro permanente                              |
| 4. Botón de hora                       | 12. Botón de liberación (conjunto del portafiltro) |
| 5. Función de comienzo automático      | 13. Recipiente de granos de café                   |
| 6. Botón de minutos                    | 14. Tapa   |
| 7. Selector de intensidad de café      | 15. Depósito del agua                              |
| 8. Pantalla                            | 16. Indicador del nivel de agua                    |
| A. Indicador de cantidad de café       | 17. Jarra de vidrio                                |
| B. Indicador de intensidad de café     | 18. Placa térmica                                  |
| C. Indicador del timer                 | 19. Compartimiento de limpieza                     |
| D. Indicador de descalcificación       | 20. Cepillo  |
| E. Indicador de conservación del calor |  |

## ANTES DEL PRIMER USO

- Enjuague todos los accesorios
- Antes de usar su cafetera por primera vez, hágala funcionar un ciclo sin café para enjuagar el circuito. Llene el depósito del agua hasta el nivel máximo y comience el ciclo presionando el botón de molienda desactivada (1).
- **IMPORTANTE:** Su aparato está diseñado para funcionar con agua fría o a temperatura ambiente solamente.



## CONFIGURACIÓN DEL RELOJ

Enchufe su aparato: La pantalla **(8)** se iluminará para indicar que puede configurar el reloj. El reloj se puede ajustar más tarde cuando lo desee. **Fig. 1 y 2.**

- Presione repetidamente el botón de las horas **(4)** para configurar las horas. **(Fig. 2).**
- Presione repetidamente el botón de los minutos **(6)** para configurar los minutos. La luz de la pantalla se iluminará unos segundos y la hora aparecerá en pantalla. **(Fig. 2).**
- **NOTA:** Puede ajustar o cambiar la hora. Puede ajustar la hora mediante los botones de Hora y Minutos.

## USO

Su cafetera se puede usar para hacer café a partir de granos de café o de café molido. Antes de usar por primera vez, el aparato está configurado para hacer café a partir de granos de café. Después de cada uso, el aparato memorizará la última configuración utilizada para la próxima vez: para hacer café a partir de granos de café o de café molido.

El aparato solo puede utilizarse cuando la pantalla está activada. Si la pantalla no está activada, presione cualquier botón para activarla. El aparato está listo para utilizarse.

Antes de continuar, debe prestar atención a las siguientes observaciones:

- Mantenga las manos, rostro y otras partes del cuerpo alejados del orificio de vapor. El vapor del aparato alcanza altas temperaturas durante su uso.
- No obstruya el orificio del vapor.

## CÓMO HACER CAFÉ

### Cómo hacer café a partir de granos de café

Antes de continuar, le pedimos que preste atención a las siguientes observaciones:

- Utilice solo granos de café.
- Utilice solamente filtros de café de papel o filtro permanente.
- Abra la tapa y llene el depósito del agua **(15)** con la cantidad de agua necesaria. **Fig. 3 y 4.**
- No llene el depósito con más agua de la necesaria para hacer café. Llene el depósito solo con la cantidad de agua necesaria para hacer café.
- Llene completamente el recipiente de los granos de café **(13)** con granos de café. **Fig. 9.**
- Cierre la tapa **(14).**
- Seleccione el grado de molienda. Consulte la sección "Selección de finura de molienda del café" **Fig. 8.**
- Presione el Botón de liberación **(12)** para abrir el portafiltro. **Fig. 6.**
- Coloque un filtro de papel apropiado o un filtro permanente en el portafiltro **(10)** **Fig. 7a o 7b.**
- Cierre el conjunto del portafiltro hasta que el botón de liberación **(12)** se enganche en su lugar.

**Nota:** El aparato solo puede utilizarse cuando la pantalla está activada. Si la pantalla no está activada, presione cualquier botón para activarla. El aparato está listo para utilizarse.

- Seleccione la cantidad de café. El selector de cantidad de café **(3)** se utiliza para seleccionar la cantidad necesaria de café. El selector de cantidad de café **(3)** puede



seleccionarse para 2, 4, 6, 8 o 10 tazas.

- Seleccione la intensidad del café. El selector de intensidad del café **(7)** se utiliza para seleccionar la intensidad deseada del café. El selector de intensidad del café **(7)** se puede configurar a: café suave (MILD), café medio (MEDIUM) y café fuerte (STRONG).
- Coloque la jarra de vidrio **(17)** sobre la placa térmica **(18)**.
- Encienda el aparato presionando el botón de molienda y colado **(1)**. El símbolo de "taza de café" **(E)** aparecerá en pantalla (Función de conservación del calor).
- Al cabo de unos segundos, el aparato comienza a moler los granos de café y a colar el café.
- Para interrumpir el proceso, presione el botón de molienda y colado **(1)**.
- Una vez que el aparato haya finalizado el proceso, emitirá un aviso acústico y entrará en el modo de conservación de calor. El símbolo de "taza de café" **(E)** comenzará a parpadear. El aparato se puede apagar presionando el botón de molienda y colado **(1)** o se apagará automáticamente al cabo de 2 horas.

## Cómo hacer café a partir de café molido

Antes de continuar, le pedimos que preste atención a las siguientes observaciones:

- Utilice café molido únicamente.
- Utilice solo filtros de papel para café o un filtro permanente apropiado para este aparato.
- Llene el depósito del agua **(15)** con la cantidad de agua necesaria.
- No llene el depósito con más agua de la necesaria para hacer café. Llene el depósito solo con la cantidad de agua necesaria para hacer café.
- Presione el Botón de liberación **(12)** para abrir el portafiltro. **Fig. 6.**
- Coloque un filtro de papel apropiado o un filtro permanente en el portafiltro **(10)** **Fig. 7a o 7b.**
- Agregue la cantidad adecuada de café en el portafiltro.
- Cierre el conjunto del portafiltro **(10)** hasta que el botón de liberación **(12)** se enganche en su lugar.
- Coloque la jarra de vidrio **(17)** sobre la placa térmica **(18)**.
- Encienda el aparato presionando el botón de molienda desactivada **(2)**. El símbolo de "taza de café" **(E)** aparecerá en pantalla.
- Para interrumpir el proceso, presione el botón de molienda desactivada **(2)**.
- Una vez que el aparato haya finalizado el proceso, emitirá un aviso acústico y entrará en el modo de conservación de calor. El símbolo de "taza de café" **(E)** comenzará a parpadear. El aparato se puede apagar presionando el botón de molienda desactivada **(2)** o se apagará automáticamente al cabo de 2 horas.

## Selección de la cantidad de café.

El selector de cantidad de café **(3)** se utiliza para seleccionar la cantidad necesaria de café. El selector de cantidad de café **(3)** puede seleccionarse para 2, 4, 6, 8 o 10 tazas.

## Selección de la intensidad del café **(B)**

El selector de intensidad del café **(7)** se utiliza para seleccionar la intensidad deseada del café. El selector de intensidad del café **(7)** se puede configurar a: café suave (MILD), café medio (MEDIUM) y café fuerte (STRONG).

**Nota:** El aparato solo puede utilizarse cuando la pantalla está activada. Si la pantalla no está activada, presione cualquier botón para activarla. El aparato está listo para utilizarse.

- Presione repetidamente el selector de intensidad del café **(7)** para seleccionar la intensidad



del café. La intensidad del café **(B)** aparecerá en pantalla **(8)**.

## Selección de la finura de molienda (Fig. 8)

El selector de la finura de molienda **(9)** se utiliza para configurar la finura deseada de la molienda cuando se usan granos de café. El selector de finura de molienda **(9)** se puede configurar en diferentes posiciones para obtener una molienda desde fina a gruesa.

- Gire el selector de finura de molienda **(9)** a la posición deseada para configurar la finura de la molienda.

## Función de comienzo automático

El aparato posee una función de comienzo automático que hace posible programar el tiempo de inicio del proceso de colado de café.

**Nota:** El aparato solo puede utilizarse cuando la pantalla está activada. Si la pantalla no está activada, presione cualquier botón para activarla. El aparato está listo para utilizarse.

- Configuración del reloj. Compruebe si el reloj ya está configurado. Si no está configurado, consulte la sección "Configuración del reloj".
- Mantenga presionado el botón de comienzo automático **(5)** hasta que el reloj parpadee en pantalla.
- Presione repetidamente el botón de las horas **(6)** para configurar las horas.
- Presione repetidamente el botón de los minutos **(7)** para configurar los minutos.
- Seleccione la cantidad de café. Consulte la sección "Selección de la cantidad de café".
- Seleccione la intensidad del café. Consulte la sección "Selección de la intensidad del café".
- Si desea hacer café con café molido, desactive la función de molienda primero antes de utilizar la función de inicio retardado.
- Presione el botón de comienzo automático **(5)** para guardar la configuración. El indicador del timer **(C)** permanecerá iluminado fijo.
- Para interrumpir el proceso, presione el botón de comienzo automático **(5)** de nuevo. El indicador del timer **(C)** se apagará.

## LIMPIEZA Y MANTENIMIENTO

- Para desechar el café molido usado, retire el filtro y el portafiltro de la cafetera.
- Eche el café molido y el filtro de café a la basura.
- No limpie el aparato si todavía está caliente.
- Lave la jarra, el portafiltro separable y el filtro permanente con agua caliente jabonosa.

**PRECAUCIÓN: No introduzca la jarra en el microondas.**

**No lave ninguna de las piezas de la cafetera en el lavaplatos.**

- Limpie la cafetera con un paño o esponja húmedos. Nunca utilice productos abrasivos o fuertes con ninguna de las piezas de la cafetera.
- Para limpiar las partes de acero inoxidable de la cafetera, utilice un paño o esponja humedecidos en agua caliente. Pase después un paño seco.
- Para eliminar manchas resistentes, utilice un paño y vinagre blanco.
- No sumerja el aparato en agua ni lo coloque debajo de la canilla.

## Limpieza del recipiente de molienda (Fig. 10 y 11)

Al moler granos de café, el polvo de café puede obstruir el mecanismo de molienda. El recipiente de molienda **(19)** se puede limpiar cada 2 semanas para evitar que su mecanismo se obstruya.



- Antes de continuar, le pedimos que preste atención a las siguientes observaciones:
  - Antes de limpiar el recipiente de molienda, haga lo siguiente:
    - Apague el aparato.
    - Retire el enchufe del tomacorriente.
    - Retire la jarra del café de la placa térmica.
    - Vacíe el portafiltro. Coloque un filtro de café adecuado. Cierre el conjunto del portafiltro.
- Retire la tapa.
- Limpieza del recipiente de molienda **(19)** con un cepillo **(21)**.
- Monte la tapa.
- No limpie el aparato si todavía está caliente.

## DESCALCIFICACIÓN

### ■ Razones para descalcificar

– La cal se forma en la cafetera de manera natural. La descalcificación conserva la cafetera en buen estado, alarga su vida útil y ofrece un café de calidad. La cal podría afectar el desempeño de la cafetera de forma permanente. Los problemas relacionados con la cal no están cubiertos por la garantía si se devuelve el producto.

### ■ Cuando realizar la descalcificación

- El aparato debe descalcificarse cada 70 ciclos de colado de café. Si deja el enchufe conectado al tomacorriente, el aparato indicará el número de ciclos de colado de café. El indicador **(D)** parpadeará en pantalla para avisar que debe descalcificar el aparato. Si debe descalcificar su aparato, utilice la solución descalcificadora KRUPS solution® o 150 ml de vinagre blanco diluido en medio litro de agua fría o a temperatura ambiente, o 50 ml de ácido cítrico diluido en medio litro de agua, hasta que los cristales hayan desaparecido completamente.
- Sin embargo, la frecuencia de descalcificación dependerá de la dureza del agua y del número de ciclos de COLADO realizados. Puede ser necesario descalcificar su cafetera si nota lo siguiente, incluso si el indicador **(D)** **no parpadea** en pantalla: ciclos más largos, vapor excesivo, un mayor ruido al final del ciclo, detención a mitad del ciclo **son indicadores de que debe descalcificar su cafetera**.
- La descalcificación se debe realizar una vez al mes, dependiendo de la dureza del agua.

## Cómo descalcificar la cafetera KRUPS.

- Utilice la solución descalcificadora KRUPS solution® o 150 ml de vinagre blanco diluido en medio litro de agua fría o a temperatura ambiente, o 50 ml de ácido cítrico diluido en medio litro de agua, hasta que los cristales hayan desaparecido
- Eche la solución en el depósito del agua (sin café).
- Presione el botón de molienda desactivada **(2)**.
- Espere a que haya finalizado el ciclo.
- Para enjuagar el aparato, hágalo funcionar durante 2 ciclos de 10 tazas con agua pero sin café.
- Repita esta operación si fuera necesario.
- Una vez finalizado el ciclo de descalcificación **(2)** presione el botón de 2-10 tazas **(7)** para reiniciar la función de descalcificación. El indicador de descalcificación **(D)** permanecerá apagado.





■ La garantía no cubre problemas con cafeteras debidos a la falta de descalcificación.

## NUNCA COLOQUE CAFÉ MOLIDO EN EL RECIPIENTE DE CAFÉ

Para esta máquina, no se recomienda el uso de granos de café aceitosos, caramelizados o aromatizados. Este tipo de café puede dañar la máquina.

Asegúrese de que no entre ningún objeto extraño, como pequeñas piedras mezcladas con los granos de café, en el recipiente de café. La garantía no cubre ningún daño debido a la entrada de objetos extraños en el recipiente de café. No vierta agua en el recipiente de granos de café.

### POSIBLES PROBLEMAS

PROBLEMA	SOLUCIÓN
El café no CUELA o el aparato no se enciende.	<p>Compruebe que el aparato está enchufado a un tomacorriente que funciona y que la pantalla parpadea.</p> <p>El depósito del agua está vacío.</p> <p>No hay suministro eléctrico.</p> <p>Desenchufe el aparato y vuélvalo a enchufar.</p> <p>El reloj deberá volver a configurarse después de un corte de suministro eléctrico.</p>
El aparato parece gotear.	<p>Compruebe que el depósito del agua no se ha llenado por encima del límite máximo.</p>
El colado se demora mucho tiempo.	<p>Es posible que deba descalcificar el aparato.</p> <p>Algunos minerales se pueden acumular en el circuito de la cafetera. Se recomienda descalcificar la cafetera periódicamente. Dependiendo de la dureza del agua, es posible que deba hacerlo con mayor frecuencia. Para obtener más información, consulte la sección de "Descalcificación".</p> <p><b>PRECAUCIÓN:</b> No desarme el aparato usted mismo.</p>
El portafiltro se derrama o el café sale lentamente.	<p>Necesita limpiar la cafetera.</p> <p>Hay demasiado café. Recomendamos usar una cuchara medidora o una cuchara de sopa de café molido por taza de café.</p> <p>La molienda es demasiado fina (Tenga en cuenta que el café molido para hacer café expresso no funciona con una cafetera de goteo).</p> <p>Hay café molido entre el filtro de papel y el portafiltro.</p> <p>El filtro de papel no está bien abierto o no está bien ubicado.</p> <p>Enjuague el portafiltro antes de insertar el filtro de papel para que se adhiera a las paredes húmedas del portafiltro.</p> <p>Asegúrese de no haber insertado un filtro de papel junto con un filtro permanente.</p> <p>Hay más de un filtro de papel en el portafiltro.</p> <p>Compruebe que el portafiltro está ubicado hasta el fondo.</p>



El café tiene mal sabor.	Limpie la cafetera. El café molido no es adecuado para su cafetera. La proporción de café y agua no es la adecuada. Ajuste el sabor a su gusto. La calidad y frescura del café no son las mejores. El agua es de mala calidad.
El café no sale.	Compruebe si hay agua en el depósito. El sistema de salida del café puede estar obstruido. Enjuáguelo con agua.
La hora no es la correcta (hay diferencia horaria).	El timer está sincronizado y depende de su red eléctrica. Si hay diferencia horaria, le aconsejamos que programe la hora una vez a la semana para asegurarse de que es la correcta.
Ha utilizado café molido en lugar de café en granos.	Use su aspiradora para eliminar el café premolido del recipiente de granos de café.
Ha echado agua en el recipiente de granos de café.	Lleve su cafetera a la atención al cliente.

## KRUPS GARANTÍA LIMITADA INTERNACIONAL

 : [www.krups.com](http://www.krups.com)

*Este producto **puede ser reparado** por KRUPS durante y después del periodo de garantía.*

*Los accesorios, consumibles y componentes reemplazables por el usuario final, en caso de estar disponibles localmente, pueden ser adquiridos tal y como se describe en la página web [www.krups.com](http://www.krups.com)*

### **La garantía :**

Este es un producto garantizado por KRUPS (la dirección y demás datos de la compañía figuran en la lista de países de la Garantía Internacional KRUPS) contra defectos de fabricación o en los materiales durante 2 años a partir de la fecha de compra o la fecha de entrega.

La garantía internacional que KRUPS emite como fabricante es una ventaja adicional que no afecta a los derechos legales del consumidor.

La garantía internacional del fabricante cubre todos los costes de reparación del producto defectuoso, de forma que se ajuste a sus especificaciones originales, ya sea mediante su reparación o la sustitución de los componentes defectuosos y la mano de obra necesaria. A criterio de KRUPS podrá sustituir el producto defectuoso, en lugar de repararlo. La reparación o sustitución del producto es la única obligación de KRUPS y la única y exclusiva solución facilitada al cliente en virtud de la presente garantía.

### **Condiciones y exclusiones :**

La garantía internacional KRUPS únicamente será de aplicación durante 2 años y en los países relacionados en la Lista de Países adjunta, y será válida solamente cuando vaya acompañada de una prueba de compra. Se puede llevar el producto en persona directamente a un Servicio Post-venta autorizado, o embalarlo adecuadamente y enviarlo, por correo certificado (o envío postal equivalente), a un Servicio Post-venta autorizado de KRUPS. La dirección completa de los Servicios Post-venta autorizados en cada país puede obtenerse en la página web de KRUPS ([www.krups.com](http://www.krups.com)) o llamando al número de teléfono del país en cuestión indicado en la Lista de Países, en el que le proporcionarán la dirección de correo.

KRUPS no estará obligada a reparar o sustituir productos que no vayan acompañados de una prueba de compra válida.

Esta garantía no cubrirá los daños que puedan producirse como resultado de usos incorrectos, negligencia, inobservancia de las instrucciones de KRUPS, conexión a corrientes o voltajes distintos de los impresos en el producto, o una modificación o reparación no autorizada del producto. Tampoco cubre el uso y desgaste habitual, el mantenimiento o sustitución de consumibles, ni lo siguiente:

- la utilización de un tipo de agua o cualquier otro producto inadecuado
- daños mecánicos, sobrecarga
- accidentes, incluidos incendios, inundaciones, rayos, etc.
- daños causados por un rayo o subidas de tensión
- uso profesional o comercial
- daños en los materiales de vidrio o porcelana del producto



- la calcificación (las descalcificaciones deberán realizarse de acuerdo a las instrucciones de uso) - daños o bajo rendimiento debidos a un voltaje o frecuencia equivocados
- el acceso de agua, polvo o insectos dentro del producto (excluyendo los aparatos con características específicamente diseñadas para insectos)

Esta garantía no se aplica a productos que hayan sido manipulados, ni en el caso de daños ocasionados por un uso o mantenimiento indebidos, un embalaje inadecuado por parte del consumidor o por una manipulación incorrecta del transportista. Para ofrecer el mejor servicio post-venta posible y mejorar constantemente el grado de satisfacción del cliente, KRUPS puede enviar una encuesta de satisfacción a todos los clientes que hayan reparado o canjeado sus productos en un servicio post-venta autorizado KRUPS.

La garantía internacional KRUPS se aplica únicamente a productos adquiridos en uno de los países relacionados, y destinados exclusivamente a uso doméstico en uno de los países indicados en la Lista de Países. Cuando un producto sea adquirido en un país incluido en la Lista y posteriormente se utilice en otro país incluido en la Lista:

- a) La garantía internacional KRUPS no se aplica en caso de no conformidad del producto adquirido con las especificidades locales, tales como el voltaje, la frecuencia, las tomas de corriente u otras especificaciones técnicas locales.
- b) El proceso de reparación para productos adquiridos fuera del país de uso puede precisar de un plazo mayor si KRUPS no comercializa localmente el producto.
- c) En los casos en los que el producto no sea susceptible de reparación en el país de utilización, la garantía internacional KRUPS se limitará a la sustitución por un producto similar o un producto alternativo de precio similar, siempre que sea posible.

#### **Derechos de los consumidores :**

La garantía internacional KRUPS no afecta a los derechos de los consumidores ni a derechos que no puedan ser excluidos o restringidos, ni a los derechos que el consumidor tenga frente al comerciante minorista que le vendió el producto. Esta garantía proporciona al consumidor derechos legales específicos, y el consumidor también podrá tener otros derechos legales que variarán de una región a otra o de un país a otro. El consumidor ejercerá esos derechos a su criterio.

*Por favor conserve este documento para consulta en caso de que deseara hacer una reclamación bajo garantía.*

#### **Específicamente para México :**

*Los datos que aparecen en la Lista de Países corresponden también al Centro de Servicio Autorizado directo y sitio para compra de refacciones y accesorios.*

*KRUPS cubrirá los gastos de transportación razonablemente erogados para el cumplimiento de esta garantía, exclusivamente para aquellos sitios donde no se cuente con un centro de servicio autorizado.*



<b>KRUPS INTERNATIONAL GUARANTEE: COUNTRY LIST</b> <b>SMALL HOUSEHOLD APPLIANCES</b> <b>www.krups.com</b>		
ARGENTINA	0800-122-2732	GROUPE SEB ARGENTINA S.A. Billinghurst 1833 3° C1425DTK Capital Federal Buenos Aires
ՀԱՅԱՍՏԱՆ ARMENIA	010 55-76-07	ՓԲԸ <<ԳՐՈՒՊԱ ՍԵԲ>> 125171, ՄՈՍԿՎԱ, ԼԵՆԻՆԳՐԱԴՑԱՆ ԽՈՒՐՎԻ, 16A, ՇՆՆ.3
AUSTRALIA	1 300 307 824	Groupe SEB Australia PO Box 404 North Ryde, NSW, 1670
ÖSTERREICH AUSTRIA	01 890 3476	GROUPE SEB DEUTSCHLAND GmbH Theodor-Stern-Kai 1 60596 Frankfurt
البحرين BAHRAIN	17291537	www.krups.com
БЕЛАРУСЬ BELARUS	017 2239290	ЗАО «Группа СЕБ-Восток», 125171, Москва, Ленинградское шоссе, д. 16А, стр. 3
BELGIQUE BELGIE BELGIUM	070 23 31 59	GROUPE SEB BELGIUM SA NV 25 avenue de l'Espérance - ZI 6220 Fleurus
BOSNA I HERCEGOVINA	Info-linija za potrošače 033 551 220	SEB Développement Predstavništvo u BiH Valtera Perića 6/I 71000 Sarajevo
BRASIL BRAZIL	11 2915-4400	SEB COMERCIAL DE PRODUTOS DOMÉSTICOS LTDA Rua Venâncio Aires, 433, Pompéia, São Paulo/SP
БЪЛГАРИЯ BULGARIA	0700 10 330	Груп СЕБ България ЕООД бул. България 58 С, ет 9, офис 30 1680 София
CANADA	1-800-418-3325	GROUPE SEB CANADA 345 Passmore Avenue Toronto, ON M1V 3N8
CHILE	02 2 884 46 06	GROUPE SEB CHILE Comercial Ltda Av. Providencia, 2331, piso 5, oficina 501 Santiago
COLOMBIA	018000520022	GROUPE SEB COLOMBIA Apartado Aereo 172, Kilometro 1 Via Zipaquirá Cajica Cundinamarca
HRVATSKA CROATIA	01 30 15 294	SEB mku & p d.o.o. Sarajevska 29, 10000 Zagreb
ČESKÁ REPUBLIKA CZECH REPUBLIC	731 010 111	Groupe SEB ČR s.r.o. Futurama Business Park (budova A) Sokolovská 651/136a 186 00 Praha 8
DANMARK DENMARK	44 66 31 55	GROUPE SEB NORDIC AS Tempovej 27 2750 Ballerup
مصر EGYPT	16622	جروب سب إيجيبت القاهرة: ١٦٦ شارع الحجاز، مصر الجديدة الإسكندرية: طريق ٤ مايو، سموحة
EESTI ESTONIA	668 1286	Groupe SEB Polska Sp. z o.o. Gdański Business Center II D ul. Inflancka 4C 00-189 Warsaw
SUOMI FINLAND	9 8946 150	Groupe SEB Finland OY Pakkalankuja 6 01510 Vantaa
FRANCE Continentale + Guadeloupe, Martinique, Réunion, St-Martin	09 74 50 10 61	GROUPE SEB France Service Consommateur Krups 112 Ch. Moulin Carron, TSA 92002 69134 ECULLY Cedex
DEUTSCHLAND GERMANY	0212 387 400	GROUPE SEB DEUTSCHLAND GmbH Theodor-Stern-Kai 1 60596 Frankfurt
ELLADA GREECE	2106371251	SEB GROUPE ΕΜΜΑΔΟΣ Α.Ε. Καβαλιέρη 7 T.K. 145 64 Κ. Κηφισιά
香港 HONG KONG	852-8137 0128	SEB ASIA Ltd. Room 903, 9/F, South Block, Skyway House 3 Sham Mong Road, Tai Kok Tsui, Kowloon Hong-Kong



<b>MAGYARORSZÁG HUNGARY</b>	06 1 801 8434	GRUPE SEB CENTRAL-EUROPE Kft. 2040 Budaörs, Puskás Tivadar út 14
<b>INDONESIA</b>	+62 21 5793 7007	GRUPE SEB INDONESIA (Representative office) Sudirman Plaza, Plaza Marein 8th Floor JL. Jendral Sudirman Kav 76-78, Jakarta 12910, Indonesia
<b>ITALIA ITALY</b>	1 99 207 701	GRUPE SEB ITALIA S.p.A. Via Montefeltro, 4 20156 Milano
<b>日本 JAPAN</b>	0570-077772	株式会社グループセブジャパン 〒144-0042 東京都大田区羽田旭町11-1 羽田クロノゲート事務棟5F
<b>الأردن JORDAN</b>	4629700	www.krups.com
<b>ҚАЗАҚСТАН KAZAKHSTAN</b>	727 378 39 39	ЖАҚ «Группа СЕБ- Восток» 125171, Москва, Ленинградское шоссе, 16А, 3 үйі
<b>한국어 KOREA</b>	080-733-7878	(유)그룹 세브 코리아 서울시 종로구 정계천로 35 관정빌딩 2층 03188
<b>الكويت KUWAIT</b>	1807777 Ext.:2104	www.krups.com
<b>LATVJA LATVIA</b>	6 616 3403	Groupe SEB Polska Sp. z o.o. Gdański Business Center II D ul. Inflancka 4C 00-189 Warsaw
<b>لبنان LEBANON</b>	1364392 Ext: 189-182	www.krups.com
<b>LIETUVA LITHUANIA</b>	5 214 0057	Groupe SEB Polska Sp. z o.o. Gdański Business Center II D ul. Inflancka 4C 00-189 Warsaw
<b>LUXEMBOURG</b>	0032 70 23 31 59	GRUPE SEB BELGIUM SA NV 25 avenue de l'Espérance - ZI 6220 Fleurus
<b>МАКЕДОНИЈА MACEDONIA</b>	(02) 20 50 319	Груп Себ Българија ЕООД бул. Българија 58 С, ет 9, офис 30 1680 Софија
<b>MALAYSIA</b>	603 7802 3000	GRUPE SEB MALAYSIA SDN BHD Unit No. 402-403, Level 4, Uptown 2, No. 2, Jalan SS21/37, Damansara Uptown, 47400, Petaling Jaya, Selangor D.E Malaysia
<b>MEXICO</b>	(01800) 112 8325	Groupe SEB México, S.A. DE C.V. Calle Goldsmith 38-401, Polanco Ciudad de México C.P. 11560, México
<b>MOLDOVA</b>	22 929249	ТОВ «Груп СЕБ Україна» 02121, Харківське шосе, 201-203, 3 поверх, Київ, Україна
<b>NETERLAND The Netherlands</b>	0318 58 24 24	GRUPE SEB NEDERLAND B.V. De Schutterij 27 3905 PK Veenendaal
<b>NEW ZEALAND</b>	0800 700 711	GRUPE SEB NEW ZEALAND PO Box 17 – 298, Greenlane, 1546 Auckland New Zealand
<b>NORGE NORWAY</b>	22 96 39 30	GRUPE SEB NOWAY AS Lilleakerveien 6d, plan 5 0283, Oslo
<b>عمان سلطنة OMAN</b>	80075000	www.krups.com
<b>POLSKA POLAND</b>	801 300 420 koszt jak za połączenie lokalne	Groupe SEB Polska Sp. z o.o. Gdański Business Center II D ul. Inflancka 4C 00-189 Warsaw
<b>PORTUGAL</b>	808 284 735	GRUPE SEB IBÉRICA SA Urb. da Matinha Rua Projectada à Rua 3 Bloco1 - 3° B/D 1950 - 327 Lisboa
<b>قطر QATAR</b>	44600002	www.krups.com
<b>REPUBLIC OF IRELAND</b>	01 677 4003	GRUPE SEB IRELAND Unit B3 Aerodrome Business Park, College Road, Rathcoole, Co. Dublin
<b>ROMANIA</b>	0 21 316 87 84	GRUPE SEB ROMÂNIA Str. Ernil Pangratti nr. 13 011881 București
<b>РОССИЯ RUSSIA</b>	495 213 32 28	ЗАО «Группа СЕБ-Восток», 125171, Москва, Ленинградское шоссе, д. 16А, стр. 3



السعودية العربية المملّكة SAUDI ARABIA	920023701	www.krups.com
SRBIJA SERBIA	060 0 732 000	SEB Developpement Đorđa Stanojevića 11b 11070 Novi Beograd
SINGAPORE	6550 8900	GROUPE SEB (Singapore) Pte. Ltd. 3A International Business Park #12-04/05, ICON@IBP Singapore 609935
SLOVENSKO SLOVAKIA	232 199 930	GROUPE SEB Slovensko, spol. s r.o. Cesta na Senec 2/A 821 04 Bratislava
SLOVENIJA SLOVENIA	02 234 94 90	GROUPE SEB Slovensko, spol. s r.o. Cesta na Senec 2/A 821 04 Bratislava
SOUTH AFRICA	www.krups.co.za	www.krups.co.za
ESPAÑA SPAIN	902 31 23 00	GROUPE SEB IBÉRICA S.A. C/ Almogàvers, 119-123, Complejo Ecoruban 08018 Barcelona
SVERIGE SWEDEN	08 629 25 00	Tefal Sverige, Löfströms allé 5, 172 66 Sundbyberg
SUISSE SCHWEIZ SWITZERLAND	044 837 18 40	GROUPE SEB SCHWEIZ GmbH Thurgauerstrasse 105 8152 Glattpark
ประเทศไทย THAILAND	02 769 7477	GROUPE SEB THAILAND 2034/66 Ialthai Tower, 14th Floor, n° 14-02, New Phetchburi Road, Bangkapi, Huaykwang, Bangkok, 10320
TÜRKIYE TURKEY	444 40 50	GROUPE SEB ISTANBUL AS Dereboyu Cd. Bilim Sk. Sun Plaza No:5 K:2 Maslak 34398 Istanbul
المملكة العربية الإمارات UAE	8002272	www.krups.com
Україна UKRAINE	044 300 13 04	ТОВ «Грун СЕБ Україна» 02121, Харківське шосе, 201-203, 3 поверх, Київ, Україна
UNITED KINGDOM	0345 330 6460	GROUPE SEB UK LTD Riverside House, Riverside Walk Windsor, Berkshire, SL4 1NA
U.S.A.	800-526-5377	GROUPE SEB USA 2121 Eden Road Millville, NJ 08332
VENEZUELA	0800-7268724	GROUPE SEB VENEZUELA Av Eugenio Mendoza, Centro Letonia, Torre ING Bank, Piso 15, Ofc 155 Urb. La Castellana, Caracas
VIETNAM	08 38645830	Vietnam Fan Joint Stock Company 25 Nguyen Thi Nho Str, Ward 9, Tan Binh Dist, HCM city

11/05/2017

**KRUPS INTERNATIONAL GUARANTEE**

**Date of purchase** / Date d'achat / Fecha de compra / Kobsdato / Ostopäivä / Kjøpsdato / Inköpsdatum / Ostukuupäev / Pirkuma datums / Įsigijimo data / Data zakupu / Datum izročitve blaga / Datum kupovine / Vásárlás dátuma / Data achiziției / Дата на закупуване / Дата продажы / Чуджурһ ор. / Дата продажы / Сатылган күні / 購入日 / วันที่ซื้อ / 구입일자 / Датум на купувальне :

**Product reference** / Référence produit / Referencia del producto / Referencenummer / Tuotenumero / Artikelnummer / Produktreferens / Toote viitenumber / Produkta atsauces numurs / Gaminio numeris / Referența produsului / Oznaka proizvoda / Tip aparata / Készülék típusa / Cod produs / Модел / Модель / Універс. / Модель / Улгіці / 製品リファレンス番号 / รุ่นผลิตภัณฑ์ / 제품명 / Податоци за производот:

**Retailer name and address** / Nom et adresse du revendeur / Nombre y dirección del minorista / Forhandler navn & adresse / Jälleenmyyjän nimi ja osoite / Forhandler navn og adresse / Återförsäljarens namn och adress / Müitja kauplus ja address / Veikala nosaukums un adrese / Parduotuvės pavadinimas ir adresas / Nazwa i adres sprzedawcy / Naziv i adresa prodajnog mjesta / Naziv in naslov trgovine / Forgalmazó neve és címe / Numele și adresa vânzătorului / Търговки обект / Назва та адреса продавця / Чуджурһунун аты жана мекен-жайы / 販売店名、住所 / ชื่อและที่อยู่ของห้าง/ร้านที่ซื้อ / 소매점 이름과 주소 / Име и адреса на продавач :

**Distributor stamp** / Cachet / Sello del distribuidor / Forhandler stempel / Jälleenmyyjän leima / Forhandler stempel / Återförsäljarens stämpel / Tempel / Zimogs / Antspaudas / Piszczę sprzedawcy / Pečet distributera / Pečet trgovine / Forgalmazó pecsétje / Ștampila vânzătorului / Печат на търговския обект / Печатка продавця / はんこ. / Печат продавця / Сатушының мөри / 販売店印 / ตราประทับของห้าง/ร้านที่ซื้อ / 소매점 직인 / Печат на дистрибутор :