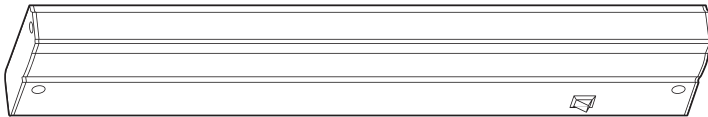




SKU# 732428 (9 in.) / 732427(12 in.)
732429 (18 in.) / 732430-1001838501 (24 in.)
UPC# 847658001429 (9in.) / 847658001436 (12 in.)
847658001443 (18 in.) / 847658001450 (24 in.)

USE AND CARE GUIDE

LED DIRECT WIRE UNDER-CABINET LIGHT (BRONZE FINISH)



Questions, problems, missing parts? Before returning to the store,
call Commercial Electric Customer Service
8 a.m. - 7 p.m., EST, Monday - Friday, 9 a.m. - 6 p.m. Saturday

1-877-527-0313

HOMEDEPOT.COM

THANK YOU

We appreciate the trust and confidence you have placed in Commercial Electric through the purchase of this under-cabinet light. We strive to continually create quality products designed to enhance your home. Visit us online to see our full line of products available for your home improvement needs. Thank you for choosing Commercial Electric!


Table of Contents


Table of Contents 2
Safety Information 2
Limited Warranty 3
Pre-Installation..... 3


Planning Installation 3
Tools Required 3
Hardware Included..... 3
Package Contents 4
Installation 4

Safety Information

Carefully read and understand the information in this manual before you begin installation. Failure to do so could lead to electric shock or a fatal hazard.

 **WARNING:** Changes or modifications not expressly approved by the party responsible for compliance could void the user's authority to operate the equipment.


 **WARNING:** This product must be installed in accordance with the applicable installation code by a person familiar with the construction and operation of the product and the hazards involved.

 **WARNING:** This equipment has been tested and found to comply with the limits for a Class B digital device pursuant to Part 15 of the FCC Rules and ICES-005 of the IC Rules. These limits are designed to provide reasonable installation protection. This equipment generates and can radiate radio frequency energy and, if not installed and used in accordance with the instructions, may cause harmful interference. However, there is no guarantee that interference will not occur in a particular installation. If this equipment does cause harmful interference to radio or television reception, which can be determined by turning the equipment off and on, the user is encouraged to try to correct the interference by one or more of the following measures:

- Reorient or relocate the receiving area.
- Increase the separation between the equipment and the receiver.
- Connect the equipment into a different outlet and circuit from the receiver outlet and circuit.
- Consult the dealer or an experienced radio/TV technician for help.


SPECIFICATIONS


- The 9 in. fixture with SKU# 732428 is rated at 120V/60HZ 6W 55mA.
- The 12 in. fixture with SKU# 732427 is rated at 120V/60HZ 9W 85mA.
- The 18 in. fixture with SKU# 732429 is rated at 120V/60HZ 15W 150mA.
- The 24 in. fixture with SKU# 732430/1001838501 is rated at 120V/60HZ 17W 175mA.


 **CAUTION:** This is a non-replaceable LED light source. Do not dismantle this fixture. There are no user serviceable parts inside.

 **CAUTION:** For indoor and dry location use only.

 **CAUTION:** Do not touch the fixture when the light source is ON.

 **CAUTION:** Ensure the electricity is shut off before you install or work on this light. Either remove the fuse or turn off the circuit breaker.

 **CAUTION:** Deviation from the assembly instruction may result in a risk of fire and electric shock.

 **CAUTION:** Do not operate this fixture with a missing or damaged cover or housing.

 **CAUTION:** Do not mount this fixture near a heat source as it may damage this fixture.

 **CAUTION:** Do not stare directly into the LED light.

Limited Warranty

The manufacturer warrants this product to be free from defects in materials and workmanship for a period of five (5) years from date of purchase. This warranty applies only to the original consumer purchaser and only to products used in normal use and service. If this product is found to be defective, the manufacturer's only obligation, and your exclusive remedy, is the repair or replacement of the product at the manufacturer's discretion, provided that the product has not been damaged through misuse, abuse, accident, modifications, alterations, neglect or mishandling. This warranty shall not apply to any product that is found to have been improperly installed, set-up, or used in any way not in accordance with the instructions supplied with the product. This warranty shall not apply to a failure of the product as a result of an accident, misuse, abuse, negligence, alteration, or faulty installation, or any other failure not relating to faulty material workmanship. The manufacturer specifically disclaims any liability and shall not be liable for any consequential or incidental loss or damage, including labor/expense costs involved in the replacement or repair of said product.

Contact the Customer Service Team at 1-877-527-0313 or visit www.HomeDepot.com.

Pre-Installation

PLANNING INSTALLATION

Compare all parts with the parts listed in the Hardware Included and Package Contents sections. If any part appears missing or damaged, do not install and use this light. Contact customer service.

TOOLS REQUIRED



Drill

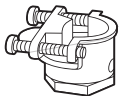


Phillips
screwdriver

HARDWARE INCLUDED



NOTE: Hardware not shown to actual size.



AA



BB



CC

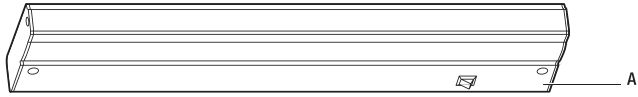


DD

Part	Description	Quantity
AA	Die-cast connector	1
BB	Fixture mounting screw	2
CC	Wire connector	3
DD	Screw (preassembled)	2

Pre-Installation (continued)

PACKAGE CONTENTS



Part	Description	Quantity
A	Light fixture	1

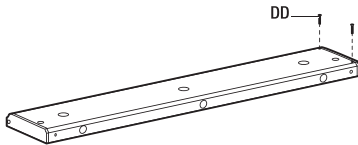
Installation

1 Preparing the light for installation

- Remove two screws (DD) on the back of the fixture for access to the wiring compartment.

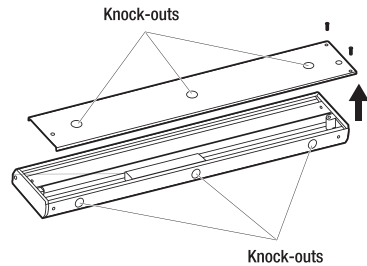


IMPORTANT: Keep the screws (DD). You need them to install the back plate to the fixture. There are no additional screws (DD) in the package.



2 Preparing the light for installation (continued)

- Determine the electrical feed location.
- Remove a knockout from either the back plate or side of the fixture housing. The fixture has 2 to 6 knockouts depending on length of your fixture. This drawing shows the 18 in. model and is for reference only.



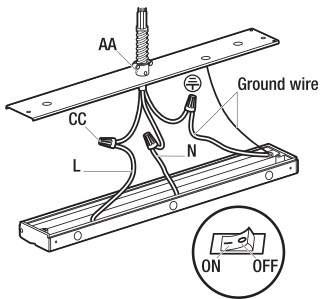
Installation (continued)

3 Connecting the wires

- Install the die-cast connector (AA) and tighten securely. Connect the ground wire from the fixture to the ground wire from the supply circuit. Connect the white wire from the fixture to the white wire (Neutral wire) from the supply circuit. Connect the black wire from the fixture to the black wire (Live wire) from the supply wire. Cover the three connections using the three wire connectors (CC). Position the wires back inside the outlet box. Make sure the wire connections are secured.



NOTE: Before you connect the wires, make sure the ON/OFF switch on the surface is OFF or it may cause potential risk if the switch is ON.

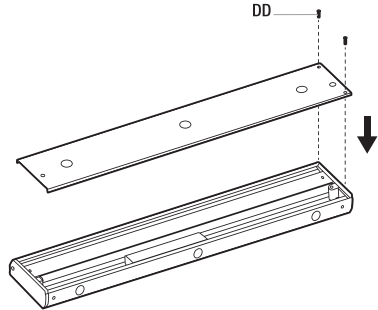


4 Re-attaching the back cover

- Re-attach the back cover of the wiring compartment with the two previously-removed screws (DD).



NOTE: Ensure the wires are covered properly inside the fixture.



5 Mounting the light fixture



NOTE: The fixture mounting screws are suitable for cabinet bottoms 3/8 in. or thicker. Use shorter screws for thinner cabinet bottoms.

- Attach the light to the desired surface using the fixture mounting screws (BB). Tighten the screws securely.
- Restore power to the electrical circuit at the service panel.
- Turn on the switch to light the fixture.



NOTE: These fixtures are dimmable and compatible with these dimmers sold at The Home Depot.

- Make sure the lights are in a single loop and a single pole with the dimmers, and that the total wattage of the lights does not exceed the dimmer wattage capacity. Please refer to wattage capacity on the dimmer packaging.

- Please contact customer service if you have any further questions on the lights or dimmers.

(Model#/SKU#):

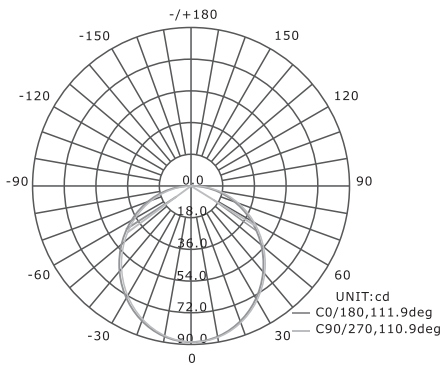
Lutron brand: DVWCL-153PH-WH / 530826; CTCL-153PDH-WH / 267858; TGCL-153PH-WH / 527401; S-600PR-WH / 396682; TG-600PR-WH / 400017

Leviton brand: R62-06683-0IW / 534006; R12-06672-1LW / 1000024040

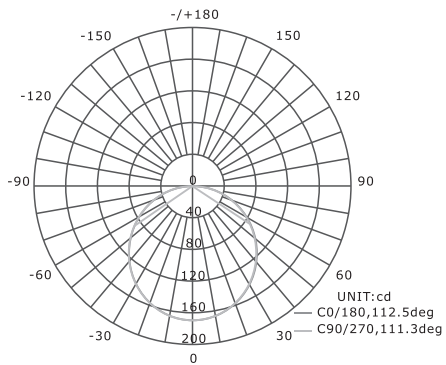


Luminous Intensity Distribution

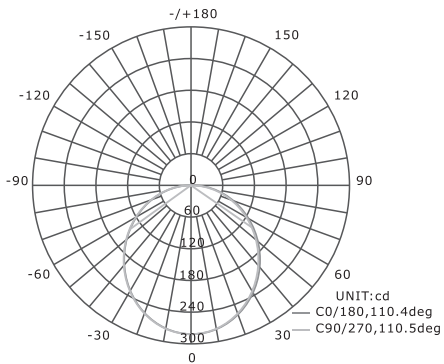
57001



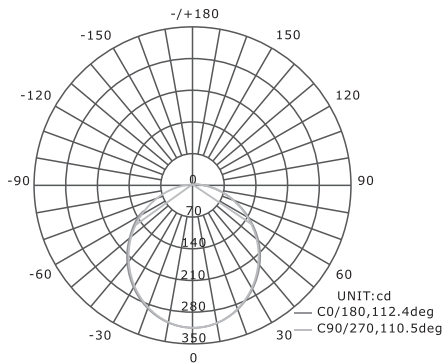
57002



57003



57004





Questions, problems, missing parts? Before returning to the store,
call Commercial Electric Customer Service
8 a.m. - 7 p.m., EST, Monday - Friday, 9 a.m. - 6 p.m. Saturday

1-877-527-0313

HOMEDEPOT.COM

Retain this manual for future use.