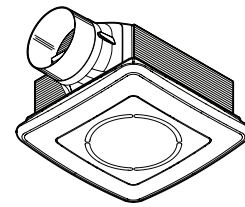


## VENTILATION FAN WITH LED LIGHT



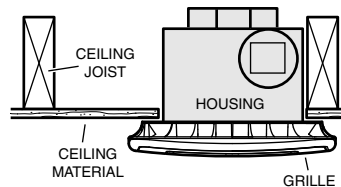
# READ AND SAVE THESE INSTRUCTIONS

## WARNING

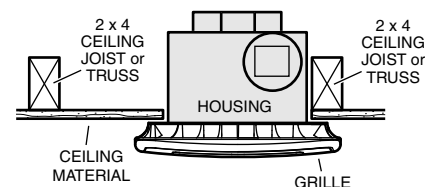
TO REDUCE THE RISK OF FIRE, ELECTRIC SHOCK, OR INJURY TO PERSONS, OBSERVE THE FOLLOWING:

1. Use this unit only in the manner intended by the manufacturer. If you have questions, contact the manufacturer at the address or telephone number listed in the warranty.
2. Before servicing or cleaning unit, switch power off at service panel and lock the service disconnecting means to prevent power from being switched on accidentally. When the service disconnecting means cannot be locked, securely fasten a prominent warning device, such as a tag, to the service panel.
3. Installation work and electrical wiring must be done by a qualified person(s) in accordance with all applicable codes and standards, including fire-rated construction codes and standards.
4. Sufficient air is needed for proper combustion and exhausting of gases through the flue (chimney) of fuel burning equipment to prevent backdrafting. Follow the heating equipment manufacturer's guideline and safety standards such as those published by the National Fire Protection Association (NFPA), and the American Society for Heating, Refrigeration and Air Conditioning Engineers (ASHRAE), and the local code authorities.
5. When cutting or drilling into wall or ceiling, do not damage electrical wiring and other hidden utilities.
6. Ducted fans must always be vented to the outdoors.
7. Acceptable for use over a tub or shower when connected to a GFCI (Ground Fault Circuit Interrupter) - protected branch circuit.
8. Not for use in kitchens.
9. This unit must be grounded.
10. This unit is U.L. listed. Type I.C. inherently protected.

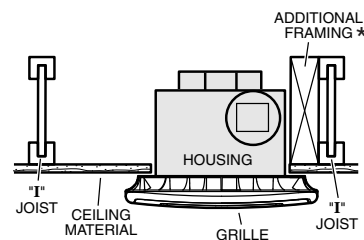
## TYPICAL INSTALLATIONS



**HOUSING MOUNTED DIRECTLY TO JOIST**  
2x6 (or larger)  
*Discharge parallel to joists.*



**HOUSING MOUNTED TO 2x4 TRUSS**  
*Discharge parallel to joists.*



**HOUSING MOUNTED TO "1" JOIST**  
*Requires additional framing for mounting.*  
*Discharge parallel to joists.*

\* Additional framing must be a 2x6 (minimum height).

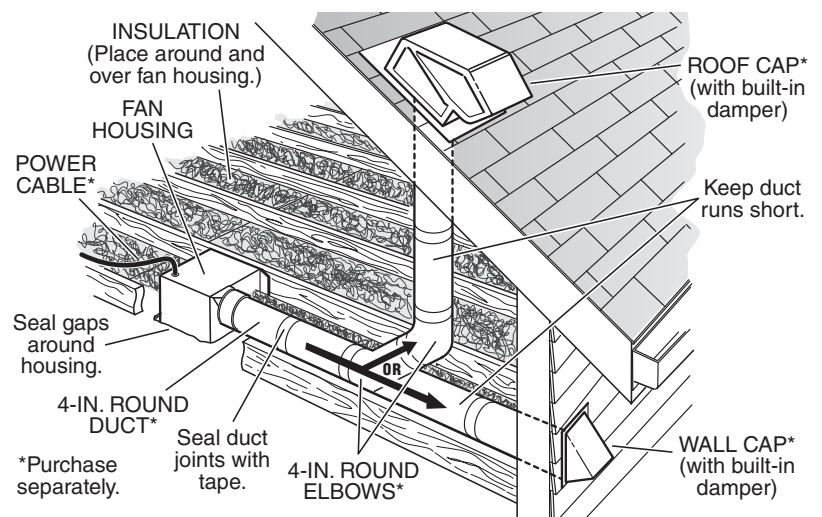
## CAUTION

1. For general ventilating use only. Do not use to exhaust hazardous or explosive materials and vapors.
2. This product is designed for installation in FLAT CEILINGS ONLY. Do not mount this product in a wall.
3. The light fixture assembly must be mounted to the fan housing assembly included with this product. Do not mount the light fixture assembly to a wiring outlet box.
4. To avoid motor bearing damage and noisy and/or unbalanced impellers, keep drywall spray, construction dust, etc. off power unit.
5. Please read specification label on product for further information and requirements.

**Installer: Leave this manual with the homeowner.**

**Homeowner: Use and Care information on page 4.**

## PLAN THE INSTALLATION



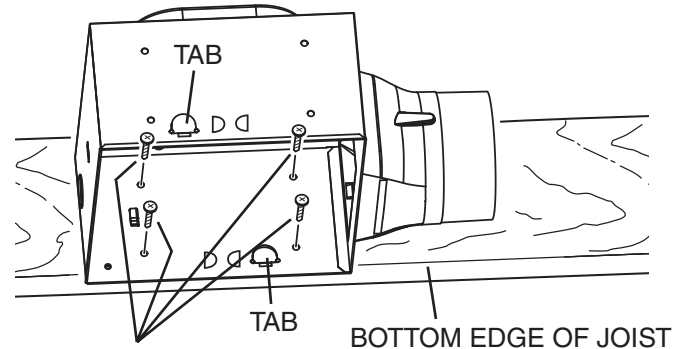
\*Purchase separately.



## INSTALL THE HOUSING

### New Construction

1. Choose the location for your fan/light in the ceiling. For best possible performance, use the shortest possible duct run and a minimum number of elbows.



2. Position fan housing against joist so that bottom edge of housing will be flush with finished ceiling.

**Additional positioning feature for 1/2" thick ceiling material:**

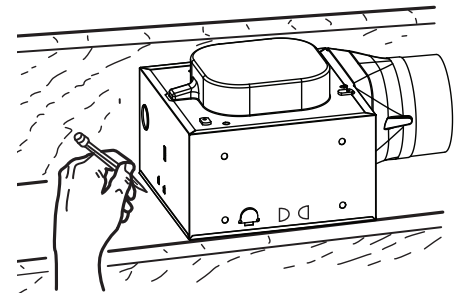
Bend tab, on either side of housing, 90° outward. Lift housing until tab contacts bottom edge of joist.

3. Use (4) mounting screws (included) to attach housing to joist.

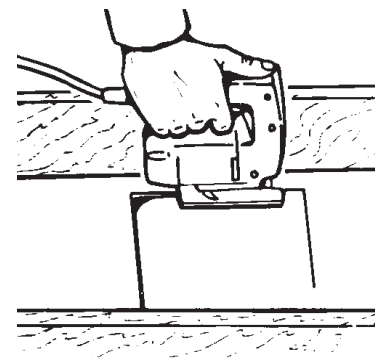
### Existing Construction

1. Choose the location for your fan/light in the ceiling. For best possible performance, use the shortest possible duct run and a minimum number of elbows.

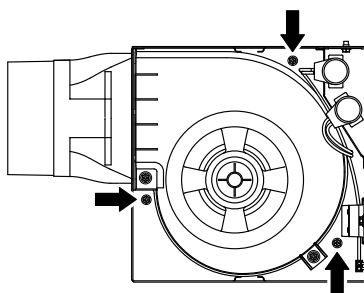
2. In attic, position fan housing against joist. Trace outline of housing on ceiling material.



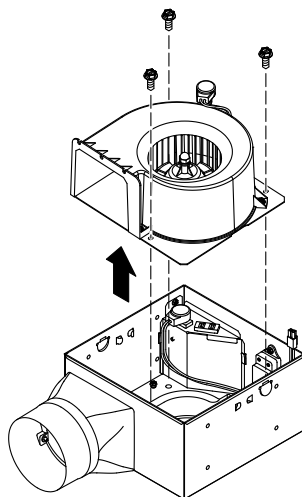
3. Set housing aside and cut ceiling opening slightly larger than marked.



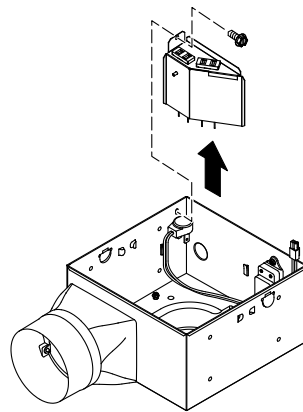
## PREPARE THE HOUSING



1. Unplug blower and remove (3) screws securing blower assembly to housing.



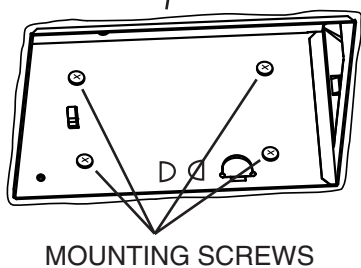
2. Remove blower assembly from housing and set blower assembly aside.



3. Unplug light wires from white receptacle. Remove wiring plate from housing and set plate aside.

- Place housing in opening so that its bottom edge is flush with finished ceiling. Screw housing to joist through holes in housing as shown.
- Seal between ceiling material and housing to prevent air leakage.

SEAL BETWEEN CEILING MATERIAL & HOUSING

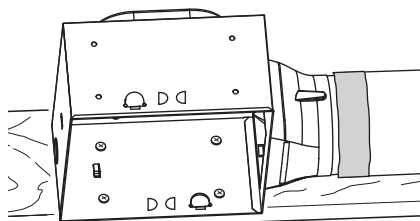


MOUNTING SCREWS

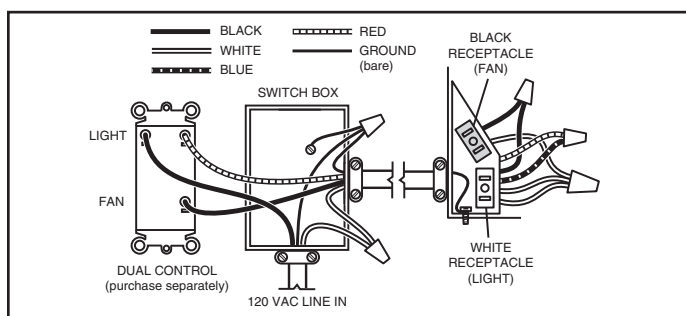
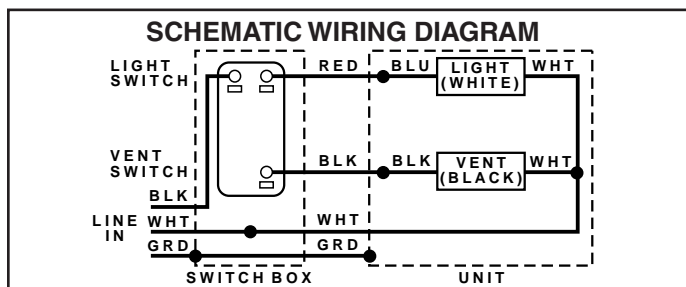
## INSTALL THE DUCTWORK

**NOTE:** The duct connector has a counter-balanced damper flap. The flap will be “open” approx. 1” when duct connector is attached to housing. This design permits insulation to be in direct contact with fan/light housing per UL (Underwriters Laboratories) standards. The slightest backdraft, however, will close the damper flap, preventing air from entering unit or finished space.

- Connect 4” round duct to damper/duct connector and extend duct to outside through a roof or wall cap. Check damper to make sure that it opens freely. Tape all duct connections to make them secure and air tight.



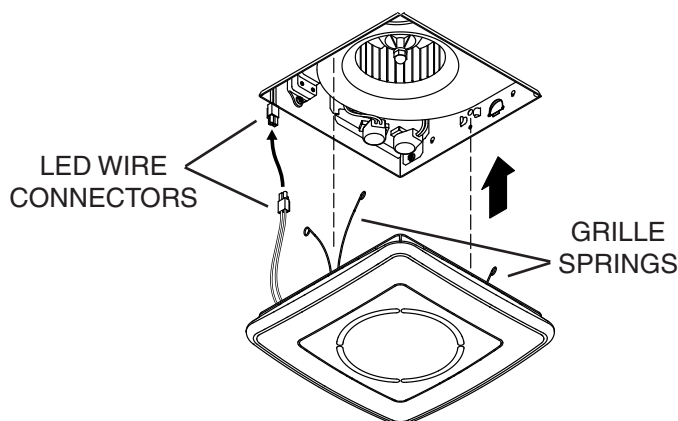
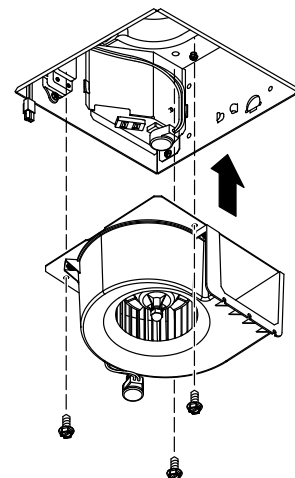
## CONNECT THE WIRING



- Wire unit as shown. Re-install wiring plate removed in Step 2 under “PREPARE THE HOUSING”.
- Run electrical cable as direct as possible to unit. Do not allow cable to touch sides or top of unit after installation is complete.

## FINISH THE INSTALLATION

- Re-install blower assembly removed in Step 1 under “PREPARE THE HOUSING”. Plug blower into black receptacle and light plug into white receptacle.



- Locate grille over fan housing. Squeeze grille springs together and insert springs into slots in sides of housing.
- Connect LED wire connectors together.
- Push grille up against ceiling.

## USE AND CARE

### Operation

#### To Operate Fan and Light

Use only an ON/OFF or timer switch to operate the fan. Use only an ON/OFF switch, timer switch or relay-switch to operate the LED light. The LED light cannot be used with a dimmable switch. Both the fan and LED light can be put on one switch.

**WARNING** ⚠ Before servicing or cleaning unit, switch power off at service panel and lock the service disconnecting means to prevent power from being switched on accidentally. When the service disconnecting means cannot be locked, securely fasten a prominent warning device, such as a tag, to the service panel.

## Cleaning and Maintenance

### To Clean

For quiet and efficient operation, long life and attractive appearance: Remove and unplug grille assembly. Vacuum grille and interior of unit with a dusting brush attachment.

The motor is permanently lubricated and never needs oiling. If the motor bearings are making excessive or unusual noises, replace the motor.

## Troubleshooting

### Symptom: The fan does not run.

- Check for an open fuse or circuit breaker in the building's service panel.

- Check that the plug-in connection for the motor and the LED light assembly are seated firmly in place.

- Check that the blower wheel spins freely.

### Symptom: The fan runs erratically.

- Check that the blower wheel is firmly attached to the motor shaft and both spin freely.

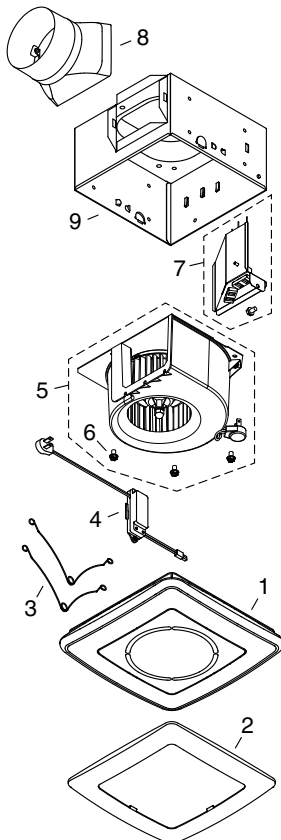
### Symptom: The fan seems noisy.

- Check that the back draft damper in the fan's duct connector pivots freely. Screws used to attach the ducting to the duct connector may be preventing the damper from opening.
- Check that the back draft damper in the wall or roof cap pivots freely. These dampers are sometimes mistakenly painted shut or obstructed by bird and insect debris.

## SERVICE PARTS

KEY NO.	PART NO.	DESCRIPTION
1	97019535	Grille Assembly (includes Key Nos. 2 & 3)
2	99111615	Lens
3	99140199	Grille Springs (2 req.)
4	99271496	LED Driver Assembly
5	97018749	Blower Assembly (includes Key No. 6 - 3 req.)
6	99160441	Screw, Motor #8-32 x .275 (3 req.)
7	97018750	Wire Panel Assembly
8	97018804	Damper / Duct Connector
9	97019355	Housing Assembly

Order replacement parts by "PART NO." - not by "KEY NO."



## WARRANTY

### Limited Warranty

**Warranty Period and Exclusions:** Broan-NuTone LLC (the "Company") warrants to the original consumer purchaser of its product ("you") that the product (the "Product") will be free from material defects in the Product or its workmanship for a period of one (1) year from the date of original purchase. The warranty on the light bulbs provided with the Product is one (1) year and does not cover lamp/bulb breakage.

The limited warranty period for any replacement parts provided by the Company and for any Products repaired or replaced under this limited warranty shall be the remainder of the original warranty period.

This warranty does not cover speed controls, fluorescent lamp starters, tubes, halogen and incandescent bulbs, fuses, filters, ducts, roof caps, wall caps and other accessories for ducting that may be purchased separately and installed with the Product. This warranty also does not cover (a) normal maintenance and service, (b) normal wear and tear, (c) any Products or parts which have been subject to misuse, abuse, abnormal usage, negligence, accident, improper or insufficient maintenance, storage or repair (other than repair by the Company), (d) damage caused by faulty installation, or installation or use contrary to recommendations or instructions, (e) any Product that has been moved from its original point of installation, (f) damage caused by environmental or natural elements, (g) damage in transit, (h) natural wear of finish, (i) Products in commercial or nonresidential use, or (j) damage caused by fire, flood or other act of God. This warranty covers only Products sold to original consumers in the United States by the Company or U.S. distributors authorized by the Company.

This warranty supersedes all prior warranties and is not transferable from the original consumer purchaser.

**No Other Warranties:** This Limited Warranty contains the Company's sole obligation and your sole remedy for defective products. The foregoing warranties are exclusive and in lieu of any other warranties, express or implied. **THE COMPANY DISCLAIMS AND EXCLUDES ALL OTHER EXPRESS WARRANTIES, AND DISCLAIMS AND EXCLUDES ALL WARRANTIES IMPLIED BY LAW, INCLUDING WITHOUT LIMITATION THOSE OF MERCHANTABILITY AND FITNESS FOR A PARTICULAR PURPOSE.** To the extent that applicable law prohibits the exclusion of implied warranties, the duration of any applicable implied warranty is limited to the period specified for the express warranty above. Some states do not allow limitations on how long an implied warranty lasts, so the above limitation may not apply to you. Any oral or written description of the Product is for the sole purpose of identifying it and shall not be construed as an express warranty.

Whenever possible, each provision of this Limited Warranty shall be interpreted in such manner as to be effective and valid under applicable law, but if any provision is held to be prohibited or invalid, such provision shall be ineffective only to the extent of such prohibition or invalidity, without invalidating the remainder of such provision or the other remaining provisions of the Limited Warranty.

**Remedy:** During the applicable limited warranty period, the Company will, at its option, provide replacement parts for, or repair or replace, without charge, any Product or part thereof, to the extent the Company finds it to be covered by and in breach of this limited warranty under normal use and service. The Company will ship the repaired or replaced Product or replacement parts to you at no charge. You are responsible for all costs for removal, reinstallation and shipping, insurance or other freight charges incurred in the shipment of the Product or part to the Company. If you must send the Product or part to the Company, as instructed by the Company, you must properly pack the Product or part—the Company is not responsible for damage in transit. The Company reserves the right to utilize reconditioned, refurbished, repaired or remanufactured Products or parts in the warranty repair or replacement process. Such Products and parts will be comparable in function and performance to an original Product or part and warranted for the remainder of the original warranty period.

**Exclusion of Damages:** **THE COMPANY'S OBLIGATION TO PROVIDE REPLACEMENT PARTS, OR REPAIR OR REPLACE, AT THE COMPANY'S OPTION, SHALL BE YOUR SOLE AND EXCLUSIVE REMEDY UNDER THIS LIMITED WARRANTY AND THE COMPANY'S SOLE AND EXCLUSIVE OBLIGATION. THE COMPANY SHALL NOT BE LIABLE FOR INCIDENTAL, INDIRECT, CONSEQUENTIAL OR SPECIAL DAMAGES ARISING OUT OF OR IN CONNECTION WITH THE PRODUCT, ITS USE OR PERFORMANCE.**

Some states do not allow the exclusion or limitation of incidental or consequential damages, so the above limitation or exclusion may not apply to you. This warranty gives you specific legal rights, and you may also have other rights, which vary from state to state.

This warranty covers only replacement or repair of defective Products or parts thereof at the Company's main facility and does not include the cost of field service travel and living expenses.

Any assistance the Company provides to or procures for you outside the terms, limitations or exclusions of this limited warranty will not constitute a waiver of such terms, limitations or exclusions, nor will such assistance extend or revive the warranty.

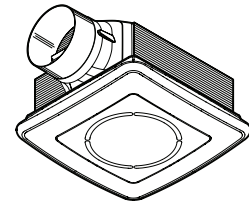
The Company will not reimburse you for any expenses incurred by you in repairing or replacing any defective Product, except for those incurred with the Company's prior written permission.

**How to Obtain Warranty Service:** To qualify for warranty service, you must (a) notify the Company at the address or telephone number stated below within seven (7) days of discovering the covered defect, (b) give the model number and part identification and (c) describe the nature of any defect in the Product or part. At the time of requesting warranty service, you must present evidence of the original purchase date. If you cannot provide a copy of the original written limited warranty, then the terms of the Company's most current written limited warranty for your particular product will control. The most current limited written warranties for the Company's products can be found at [www.broan.com](http://www.broan.com).

Broan-NuTone LLC 926 West State Street, Hartford, WI 53027 [www.nutone.com](http://www.nutone.com) 800-637-1453



## VENTILADOR CON LUZ LED



# LEA Y CONSERVE ESTAS INSTRUCCIONES

## ADVERTENCIA

PARA REDUCIR EL RIESGO DE INCENDIOS, DESCARGAS ELÉCTRICAS O LESIONES PERSONALES, SIGA LAS SIGUIENTES PRECAUCIONES:

1. Use la unidad solo de la manera indicada por el fabricante. Si tiene preguntas, comuníquese con el fabricante a la dirección o al número telefónico que se incluye en la garantía.
2. Antes de dar servicio a la unidad o de limpiarla, interrumpa el suministro eléctrico en el panel de servicio y bloquee los medios de desconexión del servicio para evitar que la electricidad se reanude accidentalmente. Cuando no sea posible bloquear los medios de desconexión del servicio, fije firmemente una señal de advertencia (como una etiqueta) en un lugar visible del panel de servicio.
3. El trabajo de instalación y el cableado eléctrico deben estar a cargo de personal capacitado, de acuerdo con todos los códigos y normas correspondientes, incluidos los códigos y normas de construcción específicos sobre protección contra incendios.
4. Es necesario suficiente aire para que se lleve a cabo una combustión y una extracción adecuadas de los gases a través del tubo de humos (chimenea) del equipo quemador de combustible, con el fin de evitar el contratiempo. Siga las directrices y las normas de seguridad del fabricante del equipo de calefacción, como las publicadas por la Asociación Nacional de Protección contra Incendios (National Fire Protection Association, NFPA), la Sociedad Americana de Ingenieros de Calefacción, Refrigeración y Aire Acondicionado (American Society for Heating, Refrigeration and Air Conditioning Engineers, ASHRAE) y las autoridades normativas locales.
5. Al cortar o perforar a través de la pared o del cielo raso, tenga cuidado de no dañar el cableado eléctrico ni otros servicios ocultos.
6. Los ventiladores con conductos siempre deben ventearse hacia el exterior.
7. Esta unidad puede instalarse sobre una tina o ducha siempre que se conecte a un GFCI (interruptor accionado por pérdida de conexión a tierra) en un circuito de derivación protegido.
8. Esta unidad no está diseñada para utilizarse en cocinas.
9. Esta unidad debe estar conectada a tierra.
10. Esta unidad está aprobada por U.L. y tiene protección inherente del tipo I.C.

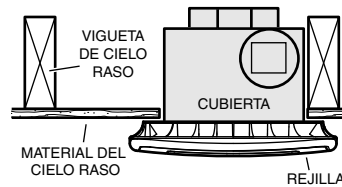
## PRECAUCIÓN

1. Solo para usarse como medio de ventilación general. No debe usarse para la extracción de materiales o vapores peligrosos o explosivos.
2. Este producto está diseñado para instalarse SOLAMENTE EN UN CIELO RASO PLANO. No monte este producto en una pared.
3. El conjunto del accesorio de la lámpara debe montarse en el conjunto de la cubierta del ventilador que se incluye con este producto. No monte el conjunto del accesorio de la lámpara en una caja de tomacorriente de cableado.
4. Para evitar daños a los cojinetes del motor y rotores ruidosos o desbalanceados, mantenga la unidad de potencia protegida contra rociados de yeso, polvos de construcción, etc.
5. Lea la etiqueta de especificaciones del producto para ver información y requisitos adicionales.

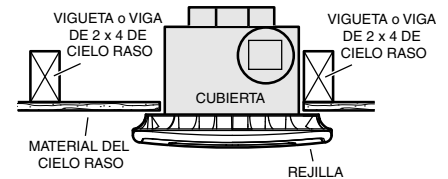
**Aviso al instalador: Deje este manual con el dueño de la casa.**

**Aviso al dueño de la casa: Las instrucciones de operación y limpieza se encuentran en la página 8.**

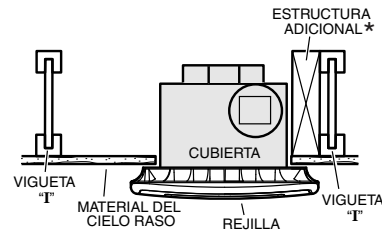
## INSTALACIONES TÍPICAS



**CUBIERTA MONTADA DIRECTAMENTE EN LA VIGUETA 2 X 6 (o más grande)**  
Descarga paralela a las viguetas.



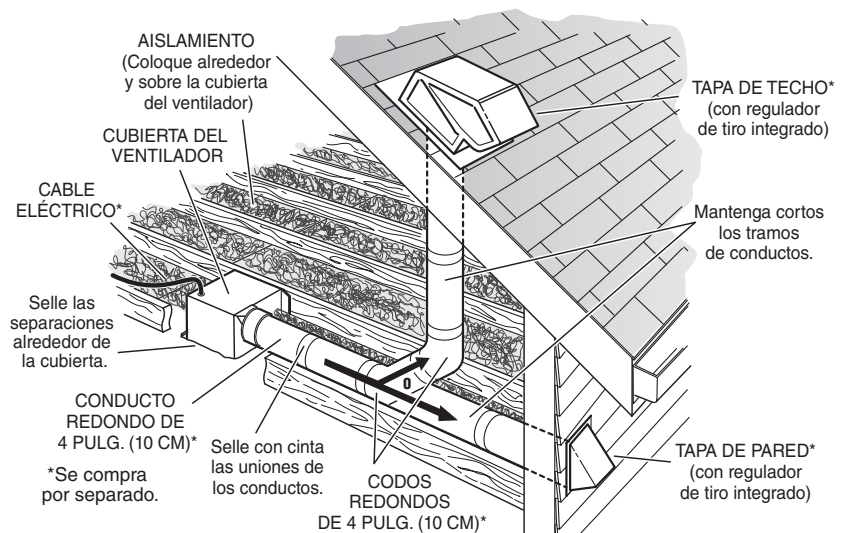
**CUBIERTA MONTADA DIRECTAMENTE EN LA VIGUETA 2 X 4**  
Descarga paralela a las viguetas.



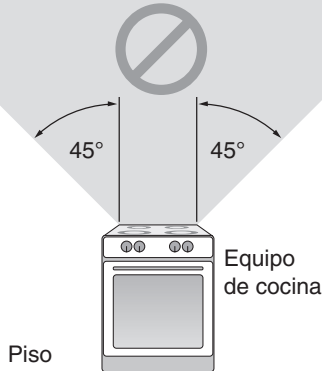
**CUBIERTA MONTADA EN UNA VIGUETA "I"**  
Se requiere una estructura adicional para el montaje.  
Descarga paralela a las viguetas.

\* La estructura adicional debe ser 2 x 6 (altura mínima).

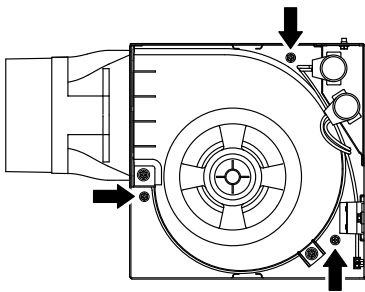
## PLANEACIÓN DE LA INSTALACIÓN



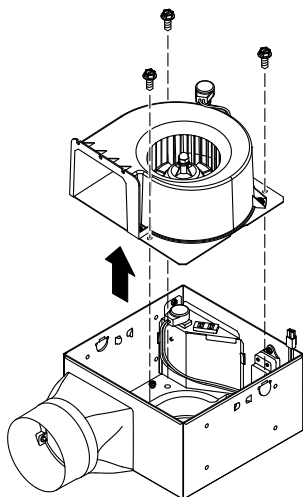
**NO USAR EL PRODUCTO EN UN ÁREA DE COCINA**  
No instale el equipo sobre o dentro de esta área



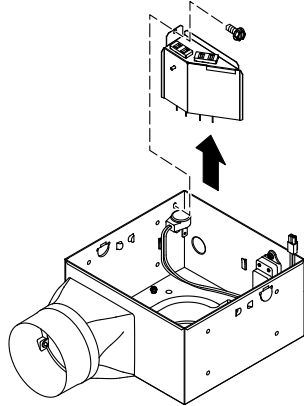
## PREPARACIÓN DE LA CUBIERTA



1. Desconecte el ventilador y retire los tres (3) tornillos que aseguran el conjunto del ventilador a la cubierta.



2. Retire el conjunto del ventilador de la cubierta y déjelo a un lado.

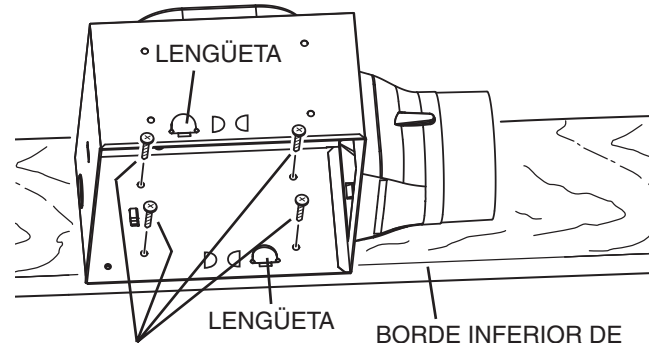


3. Desenchufe los cables de la luz del receptáculo blanco. Retire la placa de cableado de la cubierta y déjela a un lado.

## INSTALACIÓN DE LA CUBIERTA

### Nueva construcción

1. Seleccione la ubicación del ventilador con lámpara en el cielo raso. Para obtener el mejor desempeño posible, utilice el tramo de conducto más corto posible y el menor número de codos.



2. Coloque la cubierta del ventilador contra la viga, de manera que el borde inferior de la cubierta quede al ras del cielo raso terminado.

**Característica adicional para la colocación en material de cielo raso de ½ pulg. (1.3 cm):**

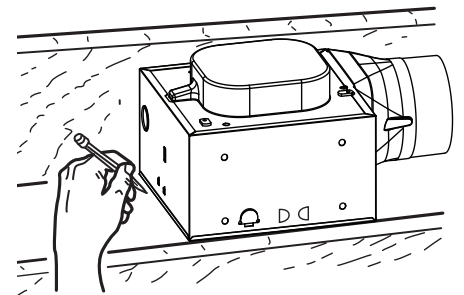
Doble a 90° y hacia afuera la lengüeta de cualquiera de los lados de la cubierta. Levante la cubierta hasta que la lengüeta entre en contacto con el borde inferior de la viga.

3. Use cuatro (4) tornillos de montaje (incluidos) para fijar la cubierta a la viga.

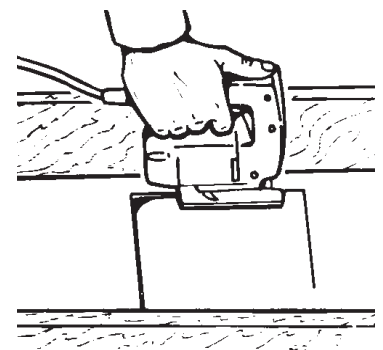
### Construcción existente

1. Seleccione la ubicación del ventilador con lámpara en el cielo raso. Para obtener el mejor desempeño posible, utilice el tramo de conducto más corto posible y el menor número de codos.

2. En el ático, coloque la cubierta del ventilador contra la viga. Haga un trazo del perímetro de la cubierta en el material del cielo raso.



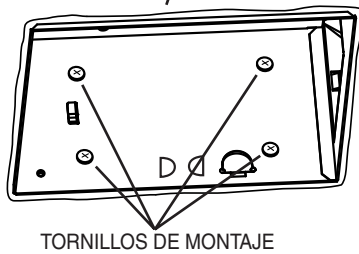
3. Deje la cubierta a un lado y corte la abertura del cielo raso un poquito mayor que la trazada.



## FINALIZACIÓN DE LA INSTALACIÓN

- Coloque la cubierta en la abertura de manera que su borde inferior quede al ras del cielo raso terminado. Atornille la cubierta en la vigueta a través de los orificios de la cubierta, como se muestra.
- Aplique sellador entre el material del cielo raso y la cubierta para evitar la fuga de aire.

APLIQUE SELLADOR ENTRE EL MATERIAL DEL CIELO RASO Y LA CUBIERTA

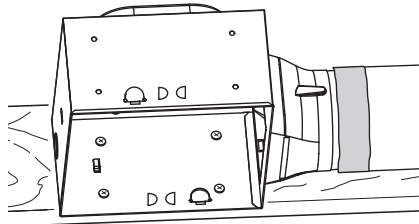


TORNILLOS DE MONTAJE

## INSTALACIÓN DEL SISTEMA DE CONDUCTOS

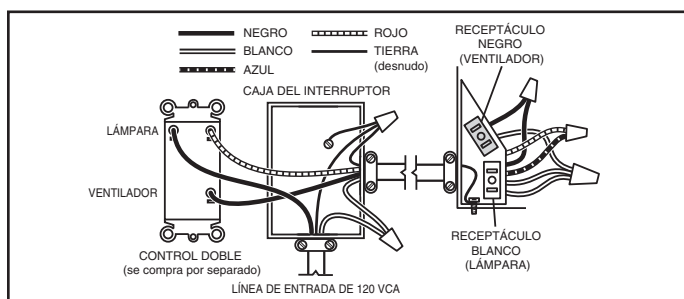
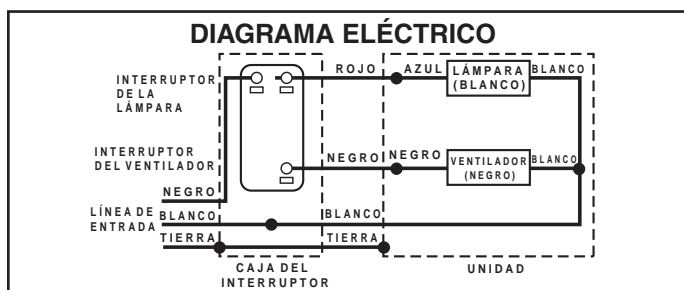
**NOTA:** El conector del conducto tiene una aleta compensadora para el regulador de tiro. Cuando el conector esté conectado en la cubierta, la aleta estará "abierta" aproximadamente 1 pulg. (2.5 cm). Este diseño permite que el material de aislamiento esté en contacto directo con la cubierta del ventilador con lámpara de acuerdo con las normas de UL (Underwriters Laboratories). Sin embargo, la más ligera corriente invertida cerrará la aleta del regulador de tiro, evitando así la entrada de aire a la unidad o al espacio terminado.

- Conecte el conducto redondo de 4 pulg. (10 cm) en el conector del regulador de tiro/conducto y extienda el conducto hasta el exterior a través de una tapa de techo o de pared.



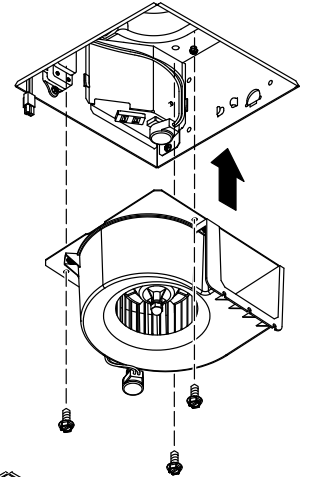
Revise el regulador de tiro para asegurarse de que abra libremente. Coloque cinta en todas las conexiones de los conductos para asegurarlas y hacerlas herméticas.

## CONECTE EL CABLEADO

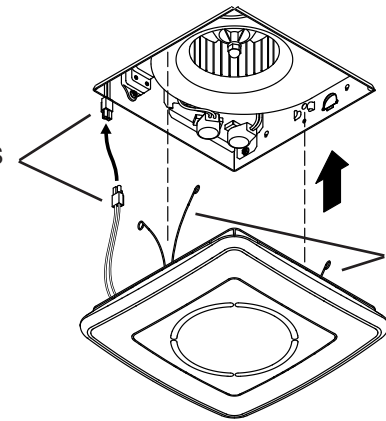


- Conecte la unidad como se muestra. Vuelva a colocar la placa de cableado que retiró en el Paso 2 bajo "PREPARACIÓN DE LA CUBIERTA".
- Extienda el cable eléctrico a la unidad tan directamente como sea posible. No permita que el cable toque los costados ni la parte superior de la unidad después de que la instalación esté terminada.

- Vuelva a colocar el conjunto del ventilador que retiró en el Paso 1 bajo "PREPARACIÓN DE LA CUBIERTA". Conecte el ventilador en el receptáculo negro y el enchufe de la luz en el receptáculo blanco.



CONECTORES DEL CABLE DEL LED



MUELLES DE LA REJILLA

- Localice la rejilla sobre la cubierta del ventilador. Comprima entre sí los resortes de la rejilla e introdúzcalos en las ranuras a los lados de la cubierta.
- Conecte juntos los conectores de los cables del LED.
- Empuje la rejilla contra el cielo raso.

## USO Y CUIDADO

### Funcionamiento

**Para hacer funcionar el ventilador y la luz**

Use solamente un interruptor de ENCENDIDO/APAGADO o un temporizador para hacer funcionar el ventilador.

Use solamente un interruptor de ENCENDIDO/APAGADO, un temporizador o un relé-interruptor para hacer funcionar la luz LED.

La luz LED no se puede usar con un interruptor atenuable.

Tanto el ventilador como la luz LED se pueden colocar en un interruptor.

**ADVERTENCIA** ⚡ Antes de dar servicio a la unidad o de limpiarla, interrumpa el suministro eléctrico en el panel de servicio y bloquee los medios de desconexión del servicio para evitar que la electricidad se reanude accidentalmente. Cuando no sea posible bloquear los medios de desconexión del servicio, fije firmemente una señal de advertencia (como una etiqueta) en un lugar visible del panel de servicio.

## Limpieza y mantenimiento

### Para limpiarlo

Para obtener un funcionamiento silencioso y eficiente, una larga vida y una apariencia atractiva: Retire y desconecte el conjunto de la rejilla. Aspire la rejilla y el interior de la unidad con un aditamento de cepillo para sacudir.

El motor está permanentemente lubricado y nunca necesitará ponerle aceite. Si los cojinetes del motor hacen ruidos inusuales o excesivos, reemplace el motor.

## Resolución de problemas

### Síntoma: El ventilador no funciona.

- Compruebe si hay un fusible o un interruptor automático abierto en el panel de servicio del edificio.

- Compruebe que el conector enchufable para el motor y el conjunto de la luz LED estén firmemente asentados en su lugar.
- Compruebe que la rueda del ventilador gire sin obstrucciones.

### Síntoma: El ventilador funciona de forma errática.

- Compruebe que la rueda del ventilador esté firmemente acoplada al eje del motor y que ambos giren sin obstrucciones.

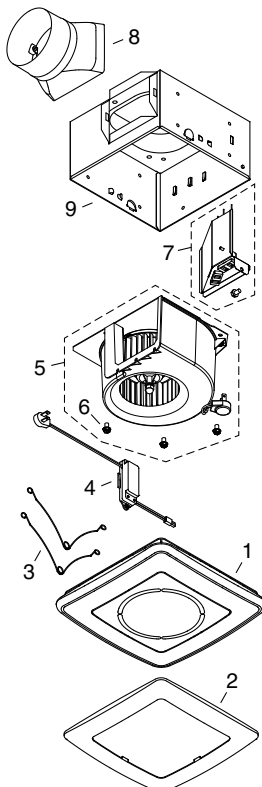
### Síntoma: El ventilador hace demasiado ruido.

- Compruebe que el regulador de tiro invertido del conector de conductos del ventilador gire sin obstrucciones. Los tornillos utilizados para afianzar el conector de conductos pueden impedir que el regulador de tiro se abra.
- Compruebe que el regulador de tiro invertido del conector de conductos de la tapa de techo o de pared gire sin obstrucciones. Estos reguladores suelen cerrarse accidentalmente después de ser pintados o suelen obstruirse con pájaros o restos de insectos.

## PIEZAS DE SERVICIO

N.º DE CLAVE	N.º DE PIEZA	DESCRIPCIÓN
1	97019535	Conjunto de la rejilla (incluye claves N.º 2 y 3)
2	99111615	Lente
3	99140199	Resortes de la rejilla (se requieren 2)
4	99271496	Conjunto impulsor de LED
5	97018749	Conjunto del ventilador (incluye clave N.º 6; req. 3)
6	99160441	Tornillo, motor N.º 8-32 x 0.275 pulg. (req. 3)
7	97018750	Conjunto del panel de cableado
8	97018804	Conector del regulador de tiro/conducto
9	97019355	Conjunto de la cubierta

Pida piezas de repuesto dando como referencia el N.º DE PIEZA, no el N.º DE CLAVE.



## GARANTÍA

### Garantía limitada

**Periodo y exclusiones de la garantía:** Broan-NuTone LLC (la "Compañía") garantiza al consumidor comprador original de su producto ("usted") que el producto (el "Producto") estará libre de defectos en materiales en el Producto o en la mano de obra, por un periodo de un (1) año a partir de la fecha de la compra original. La garantía en las bombillas provista con el Producto es de un (1) año y no cubre el rompimiento de las bombillas/lámparas.

El periodo de garantía limitada para las piezas de repuesto provisto por la Compañía y para cualquier Producto reparado o reemplazado bajo esta garantía limitada continuará durante el resto del periodo de garantía original.

Esta garantía no cubre controles de velocidad, arrancadores de lámparas fluorescentes, tubos, bombillas de halógeno e incandescentes, fusibles, filtros, conductos, tapas de techo, tapas de pared ni otros accesorios para los conductos que se puedan comprar por separado e instalar con el Producto. Esta garantía tampoco cubre (a) mantenimiento y servicio normal, (b) uso y desgaste normal, (c) Productos o piezas sujetos a mal uso, abuso, uso anormal, negligencia, accidente, mantenimiento inadecuado o insuficiente, almacenamiento o reparación (que no sea reparación por parte de la Compañía), (d) daños causados por instalación defectuosa, o bien instalación o uso contrario a las recomendaciones o instrucciones, (e) cualquier Producto que se haya movido de su punto de instalación original, (f) daños ocasionados por el medio ambiente o los elementos naturales, (g) daños en tránsito, (h) desgaste natural del acabado, (i) Productos en uso comercial o no residencial, o (j) daños ocasionados por incendio, inundación u otro caso fortuito. Esta garantía cubre solamente Productos vendidos a clientes originales en los Estados Unidos por la Compañía o a distribuidores de EE. UU. autorizados por la Compañía.

Esta garantía sustituye a todas las garantías anteriores y no es transferible del comprador consumidor original.

**No hay otras garantías:** La Garantía Limitada contiene la única obligación de la Compañía y su recurso exclusivo para productos defectuosos. Las garantías anteriores son exclusivas y están en lugar de cualquier otra garantía, expresa o implícita. **LA COMPAÑÍA NIEGA Y EXCLUYE CUALQUIER OTRA GARANTÍA EXPRESA, Y NIEGA Y EXCLUYE TODAS LAS GARANTÍAS IMPLÍCITAS POR LEY, INCLUYENDO, ENTRE OTRAS, LAS DE COMERCIALIZACIÓN Y APTITUD PARA UN PROPÓSITO EN PARTICULAR.** Hasta el grado que la ley correspondiente prohíba la exclusión de garantías implícitas, la duración de cualquier garantía implícita aplicable está limitada al periodo especificado para la garantía expresa anterior. Algunos estados no permiten limitaciones en la duración de una garantía implícita, así que la limitación anterior tal vez no aplique en su caso. Cualquier descripción verbal o escrita del Producto es para el único propósito de identificarlo y no deberá considerarse como una garantía expresa.

Siempre que sea posible, cada disposición de esta Garantía Limitada deberá interpretarse de tal manera que sea vigente y válida según la ley aplicable pero, si alguna disposición fuera considerada prohibida o inválida, dicha disposición quedará sin efecto únicamente hasta el grado de dicha prohibición o invalidez, sin invalidar el resto de dicha disposición o el resto de las disposiciones de la Garantía Limitada.

**Recurso:** Durante el periodo de garantía limitada aplicable, la Compañía, a su opción, suministrará piezas de repuesto, o reparará o reemplazará, sin cargo alguno, cualquier Producto o pieza del mismo, hasta el grado en que la Compañía lo encuentre cubierto bajo esta garantía limitada y en incumplimiento de la misma en condiciones normales de uso y servicio. La Compañía le enviará el Producto reparado o reemplazado o las piezas de repuesto sin cargo. Usted es responsable de todos los costos de retiro, reinstalación y envío, seguro u otros cargos de flete incurridos en el envío del Producto o pieza a la Compañía. Si debe enviar el Producto o la pieza a la Compañía, tal como lo indique la Compañía, debe empaquetar adecuadamente el Producto o la pieza; la Compañía no se hace responsable por los daños en tránsito. La Compañía se reserva el derecho de utilizar Productos o piezas reacondicionados, renovados, reparados o refabricados en el proceso de reemplazo o reparación de garantía. Dichos Productos y piezas serán comparables en función y desempeño a un Producto o una pieza original y tendrán garantía por el resto del periodo de la garantía original.

**Exclusión de daños: LA OBLIGACIÓN DE LA COMPAÑÍA DE SUMINISTRAR PIEZAS DE REPUESTO, O DE REPARAR O REEMPLAZAR, A OPCIÓN DE LA COMPAÑÍA, SERÁ SU ÚNICO Y EXCLUSIVO RECURSO BAJO ESTA GARANTÍA LIMITADA, Y LA ÚNICA Y EXCLUSIVA OBLIGACIÓN DE LA COMPAÑÍA. LA COMPAÑÍA NO SERÁ RESPONSABLE POR DAÑOS INCIDENTALES, INDIRECTOS, RESULTANTES O ESPECIALES QUE SURJAN POR EL USO O DESEMPEÑO DEL PRODUCTO, O EN RELACION CON EL MISMO.**

Algunos estados no permiten la exclusión o limitación de daños incidentales o resultantes, por lo que la limitación antes mencionada podría no aplicarse a usted. Esta garantía le otorga derechos legales específicos, y usted podría tener otros derechos que varían de un estado a otro.

Esta garantía cubre únicamente el reemplazo o la reparación de Productos o piezas de los mismos con defectos en la planta principal de la Compañía, y no incluye el costo del viaje para el servicio de campo ni los viáticos.

Cualquier asistencia que proporcione o procure la Compañía para usted fuera de los términos, limitaciones o exclusiones de esta garantía limitada no constituirá una renuncia a dichos términos, limitaciones o exclusiones, ni dicha asistencia extenderá o renovará la garantía.

La Compañía no le reembolsará ningún gasto en el que usted haya incurrido al reparar o reemplazar cualquier Producto defectuoso, excepto los incurridos con el permiso previo por escrito de la Compañía.

**Cómo obtener el servicio cubierto por la garantía:** Para tener derecho al servicio cubierto por la garantía, usted debe (a) notificar a la Compañía a la dirección o número de teléfono que aparecen abajo en un plazo de siete (7) días después de descubrir el defecto cubierto, (b) proporcionar el número de modelo y la identificación de la pieza y (c) describir la naturaleza de cualquier defecto en el Producto o la pieza. En el momento de solicitar el servicio cubierto por la garantía, debe presentar un comprobante de la fecha de compra original. Si no puede presentar una copia de la garantía limitada original por escrito, entonces regirán los términos de la garantía limitada por escrito más actualizada de la Compañía para su producto en particular. Las garantías limitadas por escrito más actualizadas para los productos de la Compañía se pueden encontrar en [www.broan.com](http://www.broan.com).

Broan-NuTone LLC 926 West State Street, Hartford, WI 53027 [www.nutone.com](http://www.nutone.com) 800-637-1453