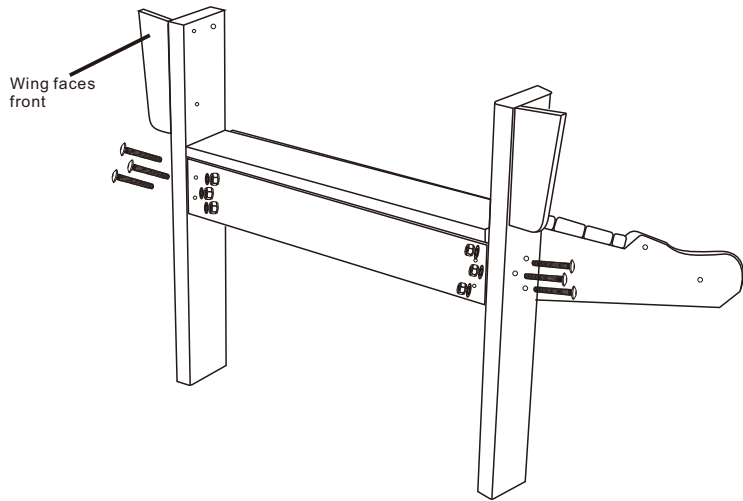


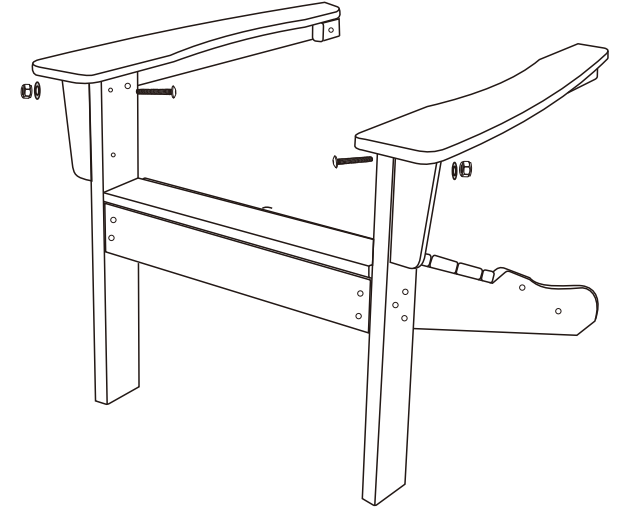
Step 1:

Attach both front legs to seat part corresponding 6 holes, insert 2.2" carriage bolts, one flat washer and one lock nut manually tighten. (3 bolts on each side)



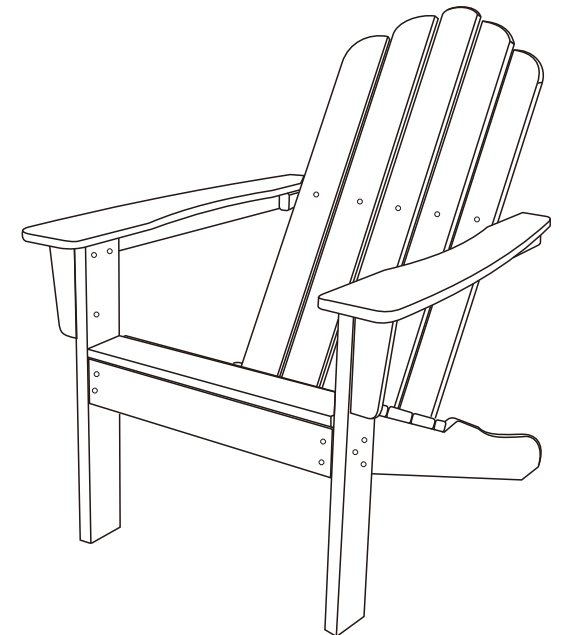
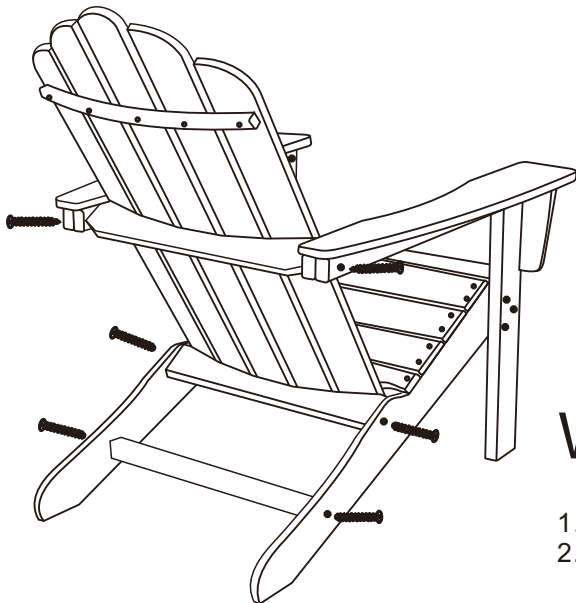
Step 2:

Attach armrest to front legs using 2.2" carriage bolt, one flat washer and one lock nut.



Step 3:

Attach back panel to seat using 1.6" screw.
Attach the back panel to armrest using 3.2" screw.
Attach the seat brace to the rear leg using 1.6" screw.



WARNING!

1. THIS PACKAGE MAY CONTAIN SMALL ITEMS WHICH SHOULD BE KEPT AWAY FROM CHILDREN!!!
2. DO NOT SIT ON THE ARMREST!!!








For Assistance Call 1-855-68-LUXEO*855-685-8936

Assembly Instructions

Model: LUX-1519

CHAIR PARTS INCLUDED:

- (A) Seat-1 unit
- (B) Backrest-1 unit
- (C) Armrest-2 units
- (D) Front leg-2 units
- (E) Seat brace-1 unit

Qty.	Description
8	 2.2" Carriage bolt
4	 1.6" Bolt
2	 3.2" Carriage bolt
8	 Lock nut
8	 Washer
1	Allen Key,Wrench

STRUCTURE DIAGRAM:

