

SIMPLITM
HOME

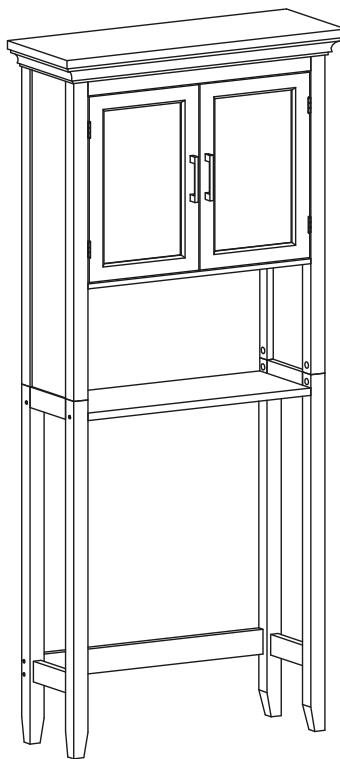
WyndenHallTM
HOME DECOR

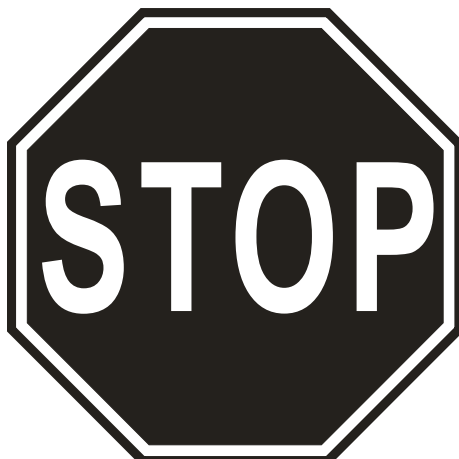
brooklyn + maxTM

AVINGTON / MIA / HAYES

SPACE SAVER CABINET

MODEL # AXCBC-007-WH





DO NOT RETURN

**FOR REPLACEMENT PARTS OR OTHER INQUIRIES
PLEASE CONTACT US AT:**

simpli-home.com/customer-support

**PLEASE ENSURE TO HAVE THE MODEL #
FROM THE PACKAGING OR
INSTRUCTION BOOKLET**

IMPORTANT: Please read this manual carefully before beginning assembly of this product. Keep this manual for future reference.

SAFETY INFORMATION

Identify all the parts and hardware. Do not discard of the packaging until you have checked that you have all of the parts and hardware required. Hardware package may have spare parts.

WARNING: This item contains small parts which can be swallowed by children and pets. Keep children and pets away during assembly. To avoid danger of suffocation, always keep plastic bags away from children and pets.

We recommend that you assemble this unit on a carpeted floor to avoid scratches. We do not recommend the use of power tools for assembly as this could damage the unit. Only use manual tools.

Requires 2 people for ease of assembly.

CARE and MAINTENANCE

To clean, use a soft or slightly damp cloth, then wipe with a clean, dry cloth.
Dust with a soft dry cloth.

Do not use ammonia-based cleaning products, as they will damage the finish.
Do not leave liquids or damp cloths on this furniture.

To avoid dulling of the finish, do not place this furniture in direct sunlight.
Please inspect and tighten all screws or bolts on a regular basis to ensure proper performance and safety of your item.

PRE-ASSEMBLY

TOOLS REQUIRED



Hammer

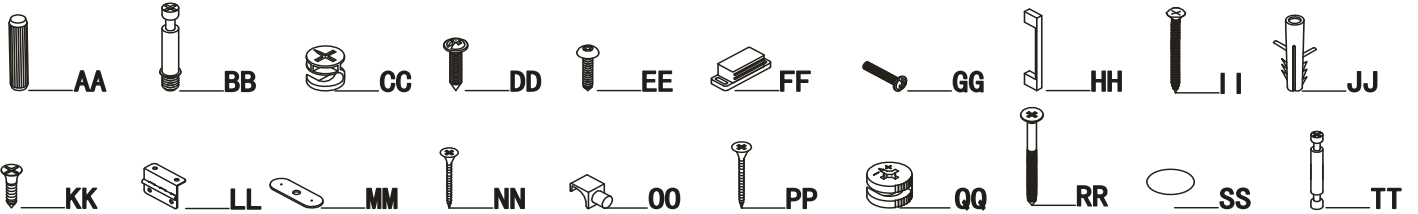


Phillips
screwdriver



Level

HARDWARE DESCRIPTION



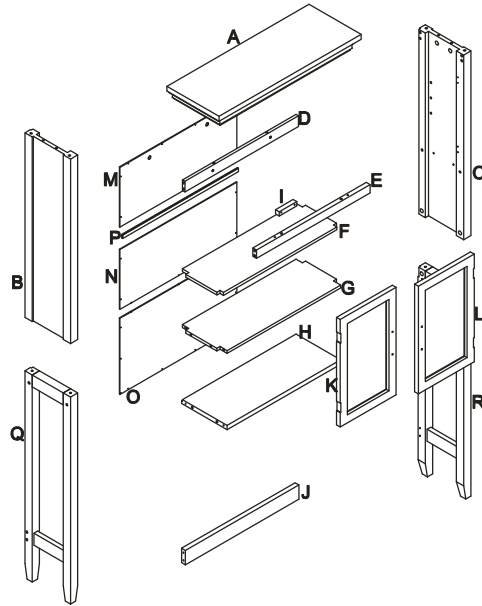
Part	Description	Quantity
AA	Wood Dowel	24
BB	Cam Bolt	8
CC	Cam Lock	12
DD	Screw	25
EE	Screw	2
FF	Magnet	1
GG	Screw	4
HH	Handle	2
II	Screw	2
JJ	Plastic Anchor	2
KK	Screw	18
LL	Metal Hinge	4
MM	Magnet Plate	2
NN	Screw	2
OO	Shelf Support	4
PP	Screw	2
QQ	Cam Lock	4
RR	Screw	8
SS	Cap	16
TT	Cam Bolt	4

NEED HELP? For help with assembly or if you are missing a part,

Please call customer service at 1-866-518-0120 ext. 262 (9 am to 5 pm EST)

PRE-ASSEMBLY

PACKAGE CONTENTS



Part	Description	Quantity
A	Cabinet Top	1
B	Top Left Side Panel	1
C	Top Right Side Panel	1
D	Rear Top Cross Bar	1
E	Front Top Cross Bar	1
F	Adjustable Shelf	1
G	Middle Shelf	1
H	Bottom Shelf	1
I	Wood Block	1
J	Rear Bottom Cross Bar	1
K	Left Side Door	1
L	Right Side Door	1
M	Top Back Panel	1
N	Middle Back Panel	1
O	Bottom Back Panel	1
P	Panel Connector	1
Q	Bottom Left Side Panel	1
R	Bottom Right Side Panel	1

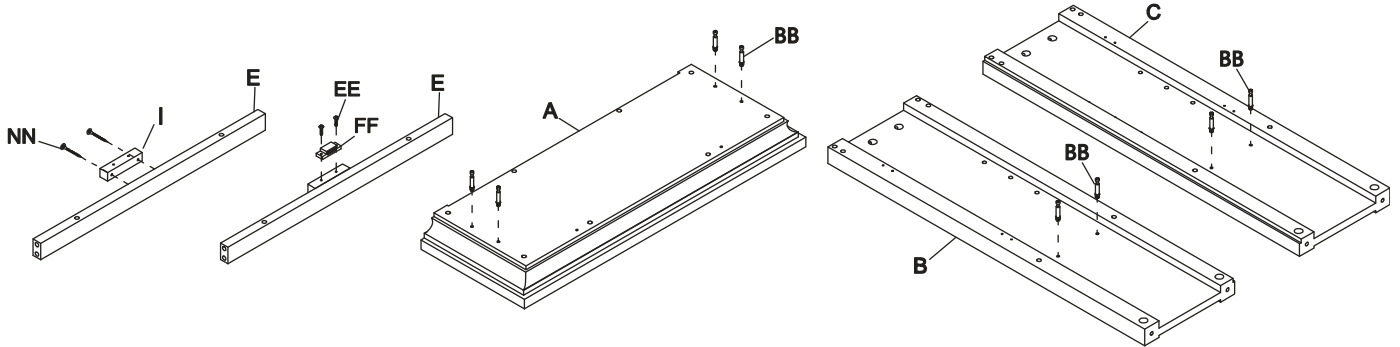
NEED HELP? For help with assembly or if you are missing a part,

Please call customer service at 1-866-518-0120 ext. 262 (9 am to 5 pm EST)

ASSEMBLY

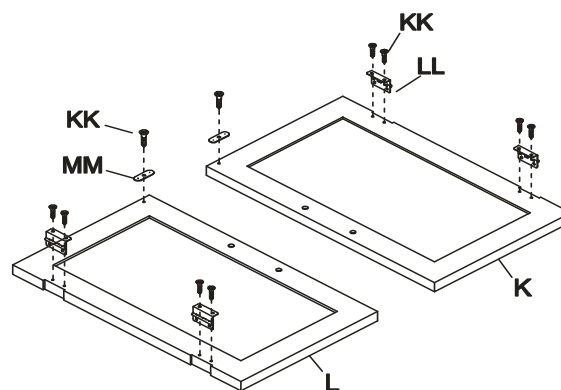
1 Assembling the Cabinet Top, Top Left Side Panel, Top Right Side Panel and Front Top Cross Bar

- Lay down the cabinet top (A) and screw four cam bolts (BB) into the pre-drilled holes using a Phillips screwdriver.
- Lay down the top left side panel (B) and screw two cam bolts (BB) into the pre-drilled holes using a Phillips screwdriver.
- Lay down the top right side panel (C) and screw two cam bolts (BB) into the pre-drilled holes using a Phillips screwdriver.
- Attach the wood block (I) to the front top cross bar (E), by inserting two screws (NN) through holes on the wood block (I) and tighten to the front top cross bar (E) using a Phillips screwdriver.
- Attach the magnet (FF) to the wood block (I) by inserting two screws (EE) through the holes on the magnet (FF). Tighten using a Phillips screwdriver.



2 Assembling the Doors

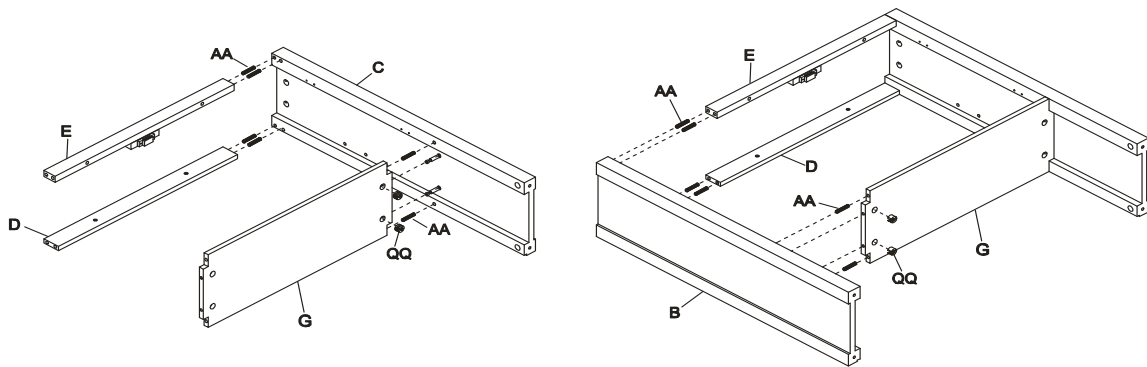
- Lay down the left side door (K) and attach two metal hinges (LL) to the left side door (L) by inserting four screws (KK) through the holes on the metal hinge (LL) and tighten the left side door (L) using a Phillips screwdriver.
- Attach the magnet plate (MM) to the left side door (K) by inserting one screw (KK) through the hole on the magnet plate (MM) and tighten using a Phillips screwdriver.
- Lay down the right side door (L) and attach two metal hinges (LL) to the right side door (L) by inserting four screws (KK) through the holes on the metal hinge (LL). Tighten the right side door (L) using a Phillips screwdriver.
- Attach the magnet plate (MM) to the right side door (L) by inserting one screw (KK) through the holes on the magnet plate (MM) and tighten to the right side door (L) using a Phillips screwdriver.
- Lay down the left side door (K) and attach two metal hinges (LL) to the left side door (K) by inserting four screws (KK) through the holes on the metal hinge (LL). Tighten the left side door (K) using a Phillips screwdriver.
- Attach the magnet plate (MM) to the left side door (K) by inserting one screw (KK) through the holes on the magnet plate (MM) and tighten to the left side door (K) using a Phillips screwdriver.



ASSEMBLY

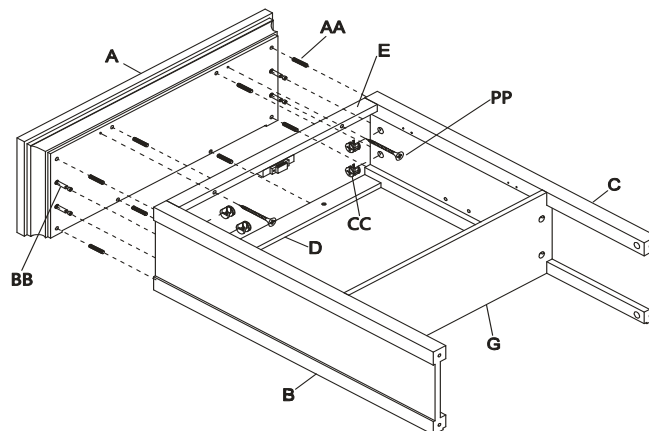
3 Assembling the Cross Bar, Middle Shelf and Top Left Side Panel

- Attach the rear top cross bar (D), front top cross bar (E) and middle shelf (G) to the top right side panel (C) by inserting six wood dowels (AA) into the dowel holes on the top cross bar (D), front top cross bar (E) and middle shelf (G).
- Insert two cam locks (QQ) into the cam lock holes on middle the shelf (G) and rotate clockwise to secure cam bolts in place using a Phillips screwdriver.
- Attach the top left side panel (B) to the top cross bar (D), front top cross bar (E) and middle shelf (G) by inserting six wood dowels into dowel holes on rear top cross bar (D), front top cross bar (E) and middle shelf (G).
- Insert two cam locks (QQ) into cam lock holes in the middle shelf (G) and rotate clockwise to secure cam bolts are in place using a Phillips screwdriver.
- Attach the top right side panel (C) to the top cross bar (D), front top cross bar (E) and middle shelf (G) by inserting six wood dowels into dowel holes on rear top cross bar (D), front top cross bar (E) and middle shelf (G).
- Insert two cam locks (QQ) into cam lock holes in the middle shelf (G) and rotate clockwise to secure cam bolts are in place using a Phillips screwdriver.



4 Assembling the Cabinet Top

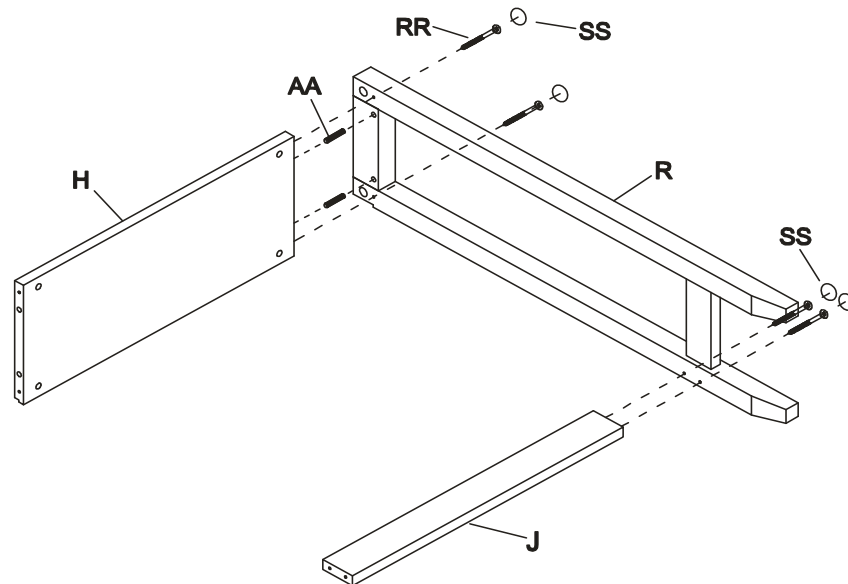
- Attach the cabinet top (A) to both pre-assembled side panels (B) and (C), rear top cross bar (D) and front top cross bar (E) by inserting eight wood dowels into dowel holes on both tops of side panels (B) and (C), rear top cross bar (D) and front top cross bar (E).
- Insert two screws (PP) through the holes on the front top cross bar (E) and tighten using a Phillips screwdriver.
- Insert four cam locks (CC) into cam lock holes on both tops of side panels (B) and (C) and rotate clockwise to secure cam bolts in place using a Phillips screwdriver.



ASSEMBLY

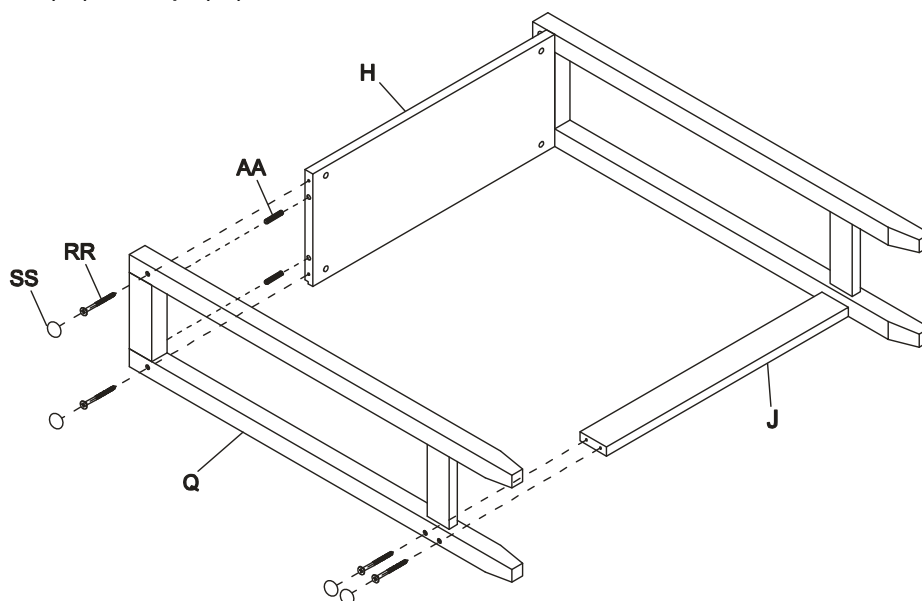
5 Assembling the Bottom Right Side Panel

- Attach the bottom shelf (H) and rear bottom cross bar (J) to the bottom right side panel (R) by inserting two wood dowels (AA) into dowel holes on the bottom shelf (H). Insert four screws (RR) through the bottom right side panel (R) and tighten using a Phillips screwdriver.
- Cover the screws (RR) with caps (SS).



6 Assembling the Bottom Left Side Panel

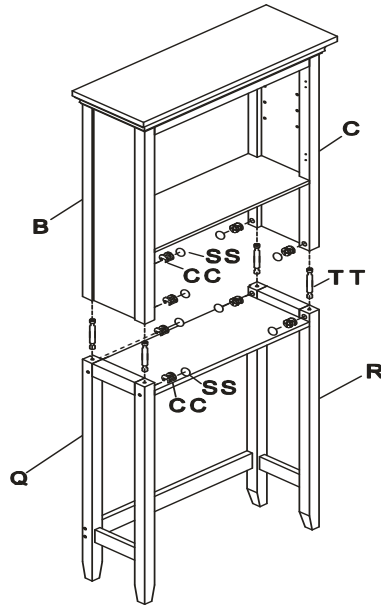
- Attach the bottom right side panel (Q) to the bottom shelf (H) and rear bottom cross bar (J) by inserting two wood dowels (AA) into dowel holes on the bottom shelf (H). Insert four screws (RR) through the bottom left side panel (Q) and tighten using a Phillips screwdriver.
- Cover the screws (RR) with caps (SS).



ASSEMBLY

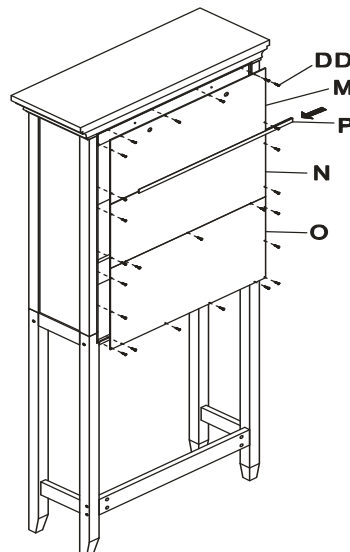
7 Assembling the Top Part of the Cabinet

- Attach both pre-assembled top side panels (B) and (C) to both pre-assembled bottom side panels (Q) and (R) by inserting four cam bolts (TT) into holes on both bottom side panels (Q) and (R).
- Insert eight cam locks (CC) into cam lock holes on both top side panels (B) and (C) and both bottom side panels (Q) and (R) and rotate clockwise to secure cam bolts are in place using a Phillips screwdriver.
- Cover the cam locks (CC) with caps (SS).



8 Assembling the Back Panel

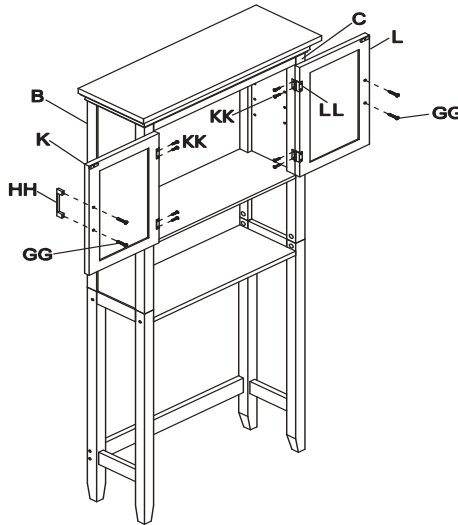
- Connect the top back panel (M) and middle back panel (N) with the panel connector (P).
- Attach the top back panel (M), middle back panel (N) and bottom back panel (O) by inserting 25 screws (DD) through the holes on the top back panel (M), middle back panel (N) and bottom back panel (O). Tighten into the cabinet.



ASSEMBLY

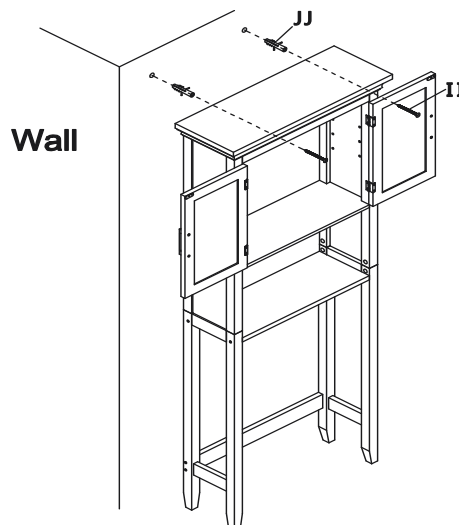
9 Assembling the Door

- Attach the left side door (K) to the top left side panel (B) by inserting four screws (KK) through the holes on left side door hinges (K) and tighten.
- Attach the right side door (L) to the top right side panel (C) by inserting four screws (KK) through the holes on right side door hinges (L) and tighten.
- Attach the handles (HH) to both doors (K) and (L) Insert four screws (GG) through holes on both doors (K) and (L) and tighten to handles (HH) using a Phillips screwdriver.



10 Attaching to the Wall

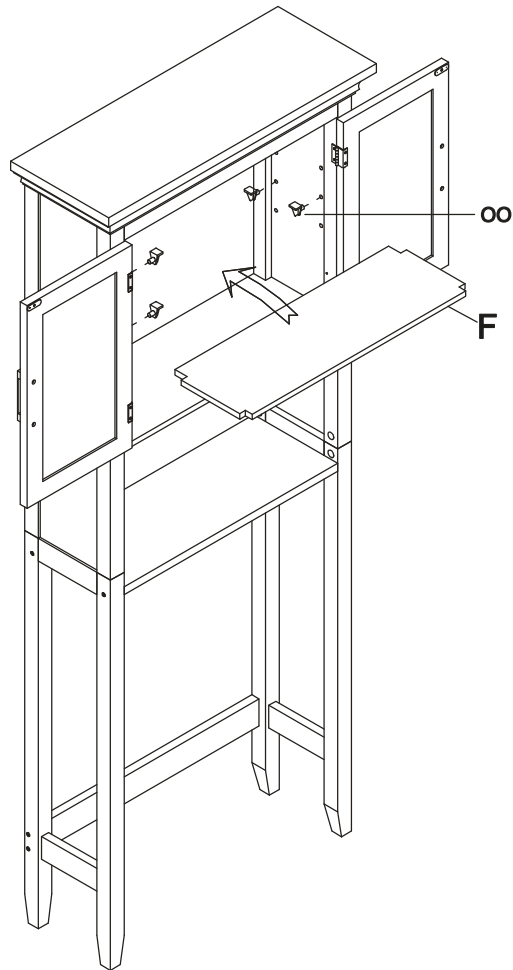
- Place the cabinet against the wall of the desired location.
- Using a level, mark two holes on the wall through the holes of the inside of the cabinet.
- Drill two holes in the wall where marked.
- Insert two plastic anchors (JJ) into the holes.
- Attach the space saver in place with holes, then insert two screws (II) through the holes on the back of the space saver into the anchors and tighten the cabinet to the wall.

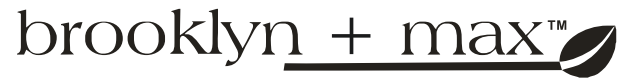


ASSEMBLY

11 Assembling the Shelf

- Insert four shelf supports (00) into holes in the space saver on both side panels (B) and (C) at the same level.
- Insert the middle shelf (F) into the space saver on top of the shelf supports (00).





WARRANTY

Thank you for purchasing a **Simpli Home – Wyndenhall – Brooklyn + Max** product. These products have been made to demanding, high-quality standards and are guaranteed for domestic use against manufacturing faults for a period of 12 months from the date of purchase. This warranty does not affect your statutory rights.

In case of any malfunction of your product (failure, missing parts, etc.) please contact us at our toll free service line at 1-866-518-0120 ext. 262 from 9 am to 5 pm, Monday to Friday, Eastern Standard Time or by email at simpli-home.com/customer-support.

We reserve the right to repair or replace the defective product, at its discretion.

This product is guaranteed for 12 months if used for normal purposes. Any warranty is invalid if the product has been overloaded or subject to neglect, improper use or an attempted repair by other than an authorized agent. Heavy-duty or daily professional/commercial usage are not guaranteed.

Due to continuous product improvement, we reserve the right to change the product specifications without prior notice.



Question, problems, missing parts?

Before returning please email Customer Support at

simpli-home.com/customer-support

or call

Customer Service at 1-866-0518-0120 ext. 262

Monday to Friday between 9 am – 5 pm EST

For more information visit us on our website

www.simpli-home.com

Like us on facebook

www.facebook.com/simplihomefurnishings



brooklyn + max™

**ENTER
TO WIN**

Upload an image of our furniture in your home with a short review to our facebook page and have a chance to

**Win your choice of any one of
Simpli Home furniture pieces
Free!!!**

www.facebook.com/simplihomefurnishings

(draws monthly – shipping included)

(vanities not included)

