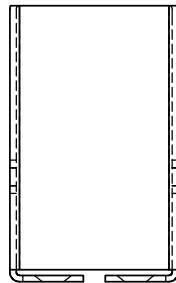
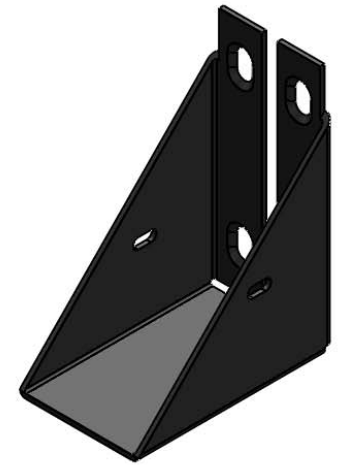
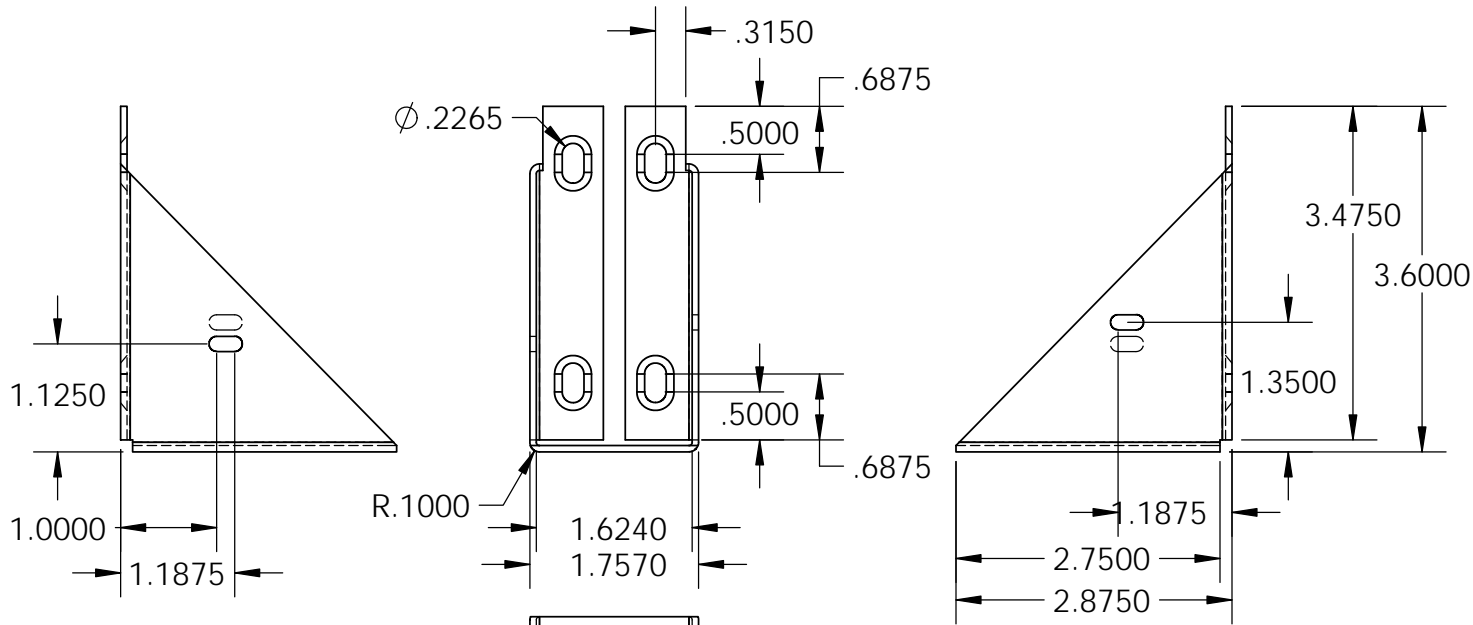
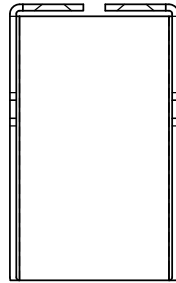



REVISIONS

ZONE	REV.	DESCRIPTION	DATE	APPROVED
------	------	-------------	------	----------



<small>This document contains confidential information and is the exclusive property of Fiber Composites, LLC and must be returned on request. All use, copy, or disclosure in whole or in part is strictly forbidden unless with prior written authorization from Fiber Composites, LLC.</small>				
DO NOT SCALE DRAWING	R&D APPROVED	 Fiberon 181 Random Dr. New London, NC 28127	DESCRIPTION	
	QA APPROVED		2x4 FENCE BRACKET (B)	
	MFG APPROVED	DRAWN	R LAPPIN	
SCALE	1:2	WEIGHT/LBS PER FOOT	DWG NO	E-00555B
PART VOLUME		MATERIAL	COATED STEEL	SIZE DATE
			A	11/11/2013
				SHEET 1 OF 1

5

4

3

2

1