

Designed for water heaters

Up to 52 or 100 gallons - rated to 350 or 1200 pounds

Kit Includes:

Qty. Item

- 1 - square top (14 ga)
- 4 - 16" legs (16 ga)
- 16 - 1/4" x 1/2" sheet metal screws with lock washers
- 2 - wall/floor seismic clips (14 ga)
- 2 - 1/4" x 2 1/2" self-drilling lag screws
- *1 - consumer label
*may already be factory applied

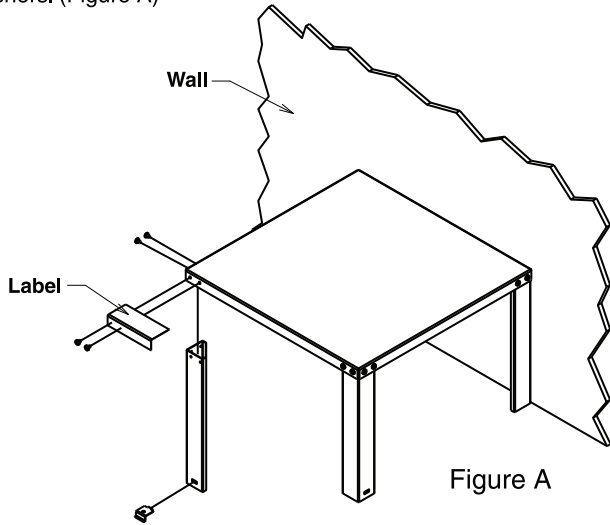
TOOLS REQUIRED:

- Drill with 3/16" bit if desired
- #3 Phillips screwdriver
- 7/16" wrench or socket

Installer:
Wear gloves when installing this product.

Step 1

Assemble 4 legs to top using included sheet metal screws and lock washers. (Figure A)

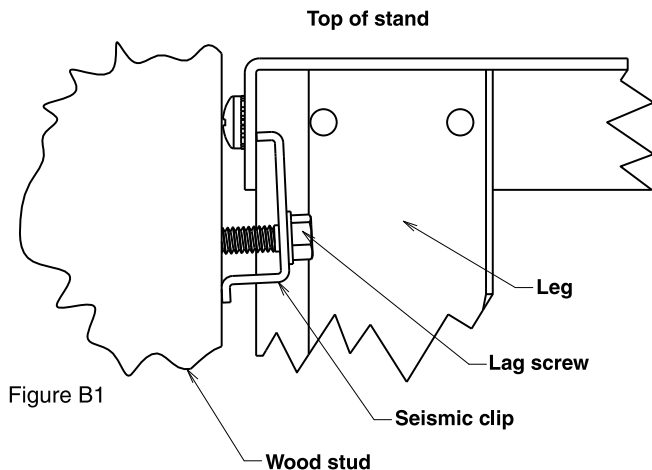


Step 2

Position assembled stand in area where water heater will be installed (preferred position is against wall). **Make sure** consumer label is positioned so it will be **clearly visible** to homeowner/consumer after water heater installation is complete. (Figure A)

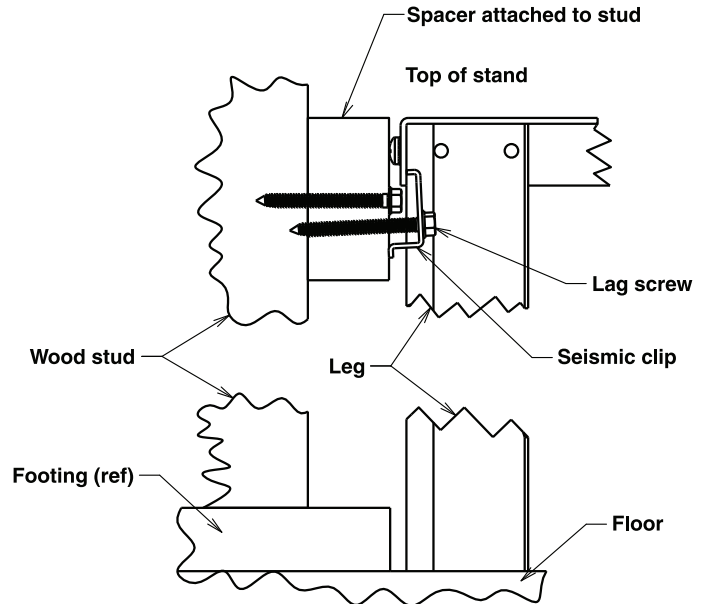
Step 3

For wood-stud walls (Figure B1): Using supplied self-drilling lags, secure water heater stand to wall using included seismic/mounting clips.



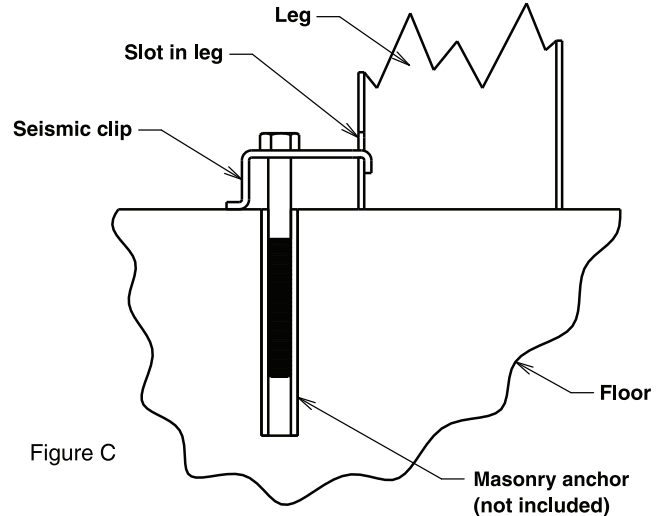
Important:
Make sure that lag screws go into a stud or other solid support.

Note: To secure stand to wall using seismic/mounting clips, where a footing prevents placing top of stand flush to wall, first attach a wooden spacer horizontally between nearest studs, then attach clips to spacer.



For other types of wall: use seismic/mounting clips (included) with appropriate anchors (not included).

To anchor to floor (Figure C): use seismic clips (included) with appropriate concrete or masonry anchors (not included).



We recommend QUICK STRAP® water heater restraints for use with this product. Comments or questions? Call TOLL FREE (800) 321-0316

WARNING

FOR YOUR SAFETY, do not store materials under this stand. keep gasoline and all other flammable liquids and vapors away from water heater.

Made in USA