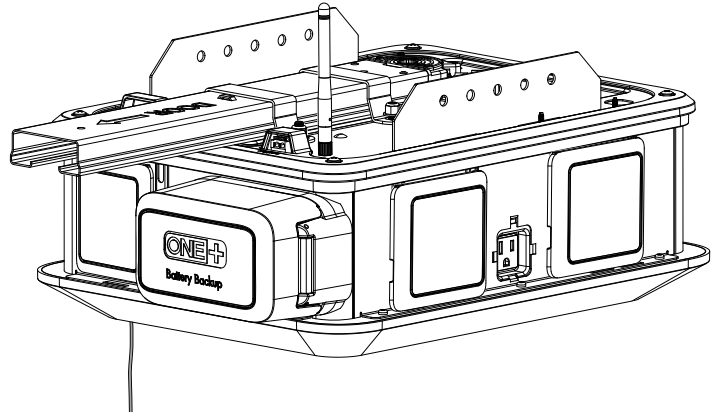




OPERATOR'S MANUAL
MANUEL D'UTILISATION
MANUAL DEL OPERADOR

GARAGE DOOR OPENER
OUVRE-PORTE DE GARAGE
SISTEMA DE APERTURA PARA
PORTÓN DE GARAJE
GD200A



An installation video can be found by searching YouTube for “**OFFICIAL RYOBI Garage Door Opener Installation**”
 Une vidéo d’installation peut être trouvée en effectuant une recherche sur YouTube pour « **OFFICIAL RYOBI Garage Door Opener Installation** » (Installation d’un ouvre-porte de garage Ryobi officiel).
 Puede encontrar un video de instalación buscando “**OFFICIAL RYOBI Garage Door Opener Installation**” (Instalación del sistema de apertura para portón de garage Ryobi oficial) en YouTube.

HomeLink® and the HomeLink® house icon are registered trademarks of Gentex Corporation.
 HomeLink® et l’image de maison HomeLink® sont des marques déposées de Gentex Corporation.
 HomeLink® y el icono de la casa de HomeLink® son marcas comerciales registradas de Gentex Corporation.

Your garage door opener has been engineered and manufactured to our high standard for dependability, ease of operation, and operator safety. When properly cared for, it will give you years of rugged, trouble-free performance.

⚠ WARNING: To reduce the risk of injury, the user must read and understand the operator’s manual before using this product.

Thank you for your purchase.

SAVE THIS MANUAL FOR FUTURE REFERENCE

Ce ouvre-porte de garage a été conçu et fabriqué conformément à nos strictes normes de fiabilité, simplicité d’emploi et sécurité d’utilisation. Correctement entretenu, cet outil vous donnera des années de fonctionnement robuste et sans problème.

Su sistema de apertura para portón de garaje ha sido diseñado y fabricado de conformidad con nuestras estrictas normas para brindar fiabilidad, facilidad de uso y seguridad para el operador. Con el debido cuidado, le brindará muchos años de sólido funcionamiento y sin problemas.

⚠ AVERTISSEMENT :
 Pour réduire les risques de blessures, l’utilisateur doit lire et veiller à bien comprendre le manuel d’utilisation avant d’employer ce produit.

⚠ ADVERTENCIA:
 Para reducir el riesgo de lesiones, el usuario debe leer y comprender el manual del operador antes de usar este producto.

Merci de votre achat.

Le agradecemos su compra.

CONSERVER CE MANUEL POUR FUTURE RÉFÉRENCE

GUARDE ESTE MANUAL PARA FUTURAS CONSULTAS

TABLE OF CONTENTS

TABLE DES MATIÈRES / ÍNDICE DE CONTENIDO

■ Introduction	2
Introduction / Introducción	
■ Specific Safety Rules.....	3
Règles de sécurité particulières / Reglas de seguridad específicas	
■ Safety Rules for Battery Operation.....	4
Règles particulières concernant l'utilisation de la pile / Reglas específicas para el funcionamiento a batería	
■ Safety Rules for Charger	4-5
Règles de sécurité concernant le chargeur / Reglas de seguridad para el empleo del cargador	
■ Wi-Fi Communication Information.....	5
Renseignements de communication par Wi-Fi / Información de comunicación por wi-fi	
■ Symbols.....	6-7
Symboles / Símbolos	
■ Electrical	8
Caractéristiques électriques / Aspectos eléctricos	
■ Features.....	9-12
Caractéristiques / Características	
■ Loose Parts.....	13-14
Outils nécessaires / Herramientas necesarias	
■ Tools Needed	15
Outils nécessaires / Herramientas necesarias	
■ Assembly	15-19
Assemblage / Armado	
■ Installation.....	20-42
Installation / Instalación	
■ Operation.....	43-49
Utilisation / Funcionamiento	
■ Maintenance	50-51
Entretien / Mantenimiento	
■ Accessories	52
Accessoires / Accesorios	
■ Troubleshooting.....	52-54
Dépannage / Corrección de problemas	
■ Warranty	55
Garantie / Garantía	
■ Parts Ordering / Service	Back Page
Commande de pièces et réparation / Pedidos de piezas y servicio.....	Page arrière / Pág. posterior

INTRODUCTION

INTRODUCTION / INTRODUCCIÓN

This product has many features for making its use more pleasant and enjoyable. Safety, performance, and dependability have been given top priority in the design of this product making it easy to maintain and operate.

* * *

Ce produit offre de nombreuses fonctions destinées à rendre son utilisation plus plaisante et satisfaisante. Lors de la conception de ce produit, l'accent a été mis sur la sécurité, les performances et la fiabilité, afin d'en faire un outil facile à utiliser et à entretenir.

* * *

Este producto ofrece numerosas características para hacer más agradable y placentero su uso. En el diseño de este producto se ha conferido prioridad a la seguridad, el desempeño y la fiabilidad, por lo cual se facilita su manejo y mantenimiento.

SPECIFIC SAFETY RULES

WARNING:


READ AND UNDERSTAND ALL INSTRUCTIONS BEFORE USING THIS GARAGE DOOR OPENER to reduce the risk of electric shock, fire and/or serious personal injury.

- For use with residential sectional or single-panel garage doors. Not for commercial use.
- Only enable the RYOBI Garage Door Opener Accessory System App feature when installed with a sectional door.
- Know your product. Read operator's manual carefully. Learn its applications and limitations, as well as the specific potential hazards related to this unit. Following this rule will reduce the risk of electric shock, fire, death, or serious injury.
- Always follow all safety rules recommended by the manufacturer of your garage door opener, in addition to all safety rules for the garage door opener attachment and accessories. Following this rule will reduce the risk of serious personal injury.
- Devices or features, such as the RYOBI Garage Door Opener Accessory System App, that allow you to open and close the garage without the garage door being in view should only be used with sectional garage doors.
- Do not use any attachments or accessories not recommended by the manufacturer of this product.
- A monthly test of the device's functionality is recommended to ensure reliable performance over time.
- Do not use the garage door opener if it is damaged or broken.
- Do not use garage door opener if keypads do not start and stop the motor. An opener that cannot be controlled with a keypad is dangerous and must be repaired.
- To avoid accidental use place keypads and remotes in a location that is inaccessible to children and others not qualified to operate the machine at least five feet above the floor.
- Do not allow children or untrained individuals to use this unit.
- Do not allow to be used as a toy. Close attention is necessary when used near children.
- To avoid death or serious personal injury, stay clear of the garage door while it is moving.
- The effectiveness of the safety sensors included in this system directly relates to the placement and installation of the sensors.
- Use extra care when mounting the unit. Keep proper footing and balance at all times.
- Mount the garage door opener to joists only. Never mount the unit to drywall or false ceiling grids. Failure to properly install the garage door opener could result in a falling hazard that can cause death or serious personal injury.
- This product is not equipped for permanent wiring. Contact licensed electrician to install a suitable receptacle if one is not available.
- Plug the garage door opener directly into a power source. Do not attach an extension cord or cord adaptor to this product's power cord.
- Do not unplug by pulling on cord. To unplug, grasp the plug, not the cord.
- Do not handle battery pack, power supply cord, wires, wire terminals, or accessories with wet hands.
- Disconnect battery pack and unplug the garage door opener before making any adjustments, changing accessories, or performing maintenance. Such preventive safety measures reduce the risk of electrocution or electric shock.
- Inspect power supply cord and wires periodically and, if damaged, have repaired by the manufacturer to avoid risk. Keep power supply cord and wires away from pinch points and moving parts. Following this rule will reduce the risk of electric shock or fire.
- Check damaged parts. Before further use of the garage door opener, a belt, pulley, or other part that is damaged should be carefully checked to determine that it will operate properly and perform its intended function. Check for alignment of moving parts, binding of moving parts, breakage of parts, and any other conditions that may affect its operation. A belt, pulley, or other part that is damaged should be properly repaired or replaced by the manufacturer. Following this rule will reduce the risk of shock, fire, or serious injury.
- When servicing a product, use only identical replacement parts. Follow instructions in the *Maintenance* section of this manual. Use of unauthorized parts or failure to follow Maintenance instructions may create a risk of injury.
- Never attempt to loosen, adjust, or remove the door springs (torsion spring and/or extension spring), door spring components, or any surfaces to which these items are secured. These items are under extreme tension and any such alteration could result in death, serious personal injury, and/or property damage.
- Servicing of garage doors, door springs (torsion and/or extension springs), and door spring components should be performed only by a qualified service person.
- To prevent SERIOUS INJURY or DEATH, DO NOT open garage door if fire is present, unless you must escape through it. CALL 911 or the fire department. Opening the garage door will introduce fresh air and may cause fire to spread rapidly.

SPECIFIC RULES FOR BATTERY OPERATION

- When battery pack is not in use, keep it away from other metal objects like: paper clips, coins, keys, nails, screws, or other small metal objects that can make a connection from one terminal to another. Shorting the battery terminals together may cause sparks, burns, or a fire.
- Use battery operated products only with specifically designated battery packs. Use of any other battery packs may create a risk of fire.
- Do not dispose of the batteries in a fire. The cell may explode. Check with local codes for possible special disposal instructions.
- Do not open or mutilate the batteries. Released electrolyte is corrosive and may cause damage to the eyes or skin. It may be toxic if swallowed.
- Do not place battery tools or their batteries near fire or heat. This will reduce the risk of explosion and possibly injury.
- Batteries can explode in the presence of a source of ignition, such as a pilot light. To reduce the risk of serious personal injury, never use any cordless product in the presence of open flame. An exploded battery can propel debris and chemicals. If exposed, flush with water immediately.
- Do not crush, drop or damage battery pack. Do not use a battery pack or charger that has been dropped or received a sharp blow. A damaged battery is subject to explosion. Properly dispose of a dropped or damaged battery immediately.
- Exercise care in handling batteries in order not to short the battery with conducting materials such as rings, bracelets, and keys. The battery or conductor may overheat and cause burns.
- Under extreme usage or temperature conditions, battery leakage may occur. If liquid comes in contact with your skin, wash immediately with soap and water. If liquid gets into your eyes, flush them with clean water for at least 10 minutes, then seek immediate medical attention. Following this rule will reduce the risk of serious personal injury.
- Battery powered garage door openers do not have to be plugged into an electrical outlet; therefore, they are always in operating condition. Be aware of possible hazards when making adjustments or changing accessories. Following this rule will reduce the risk of electric shock, fire, or serious personal injury.
- For best results, your garage door opener's battery should be charged in a location where the temperature is more than 50°F but less than 100°F. Do not store outside or in vehicles.
- Save these instructions. Refer to them frequently and use them to instruct others who may use this product. If you loan someone this product, loan them these instructions also.

SAFETY RULES FOR CHARGER

- Before charging battery pack, read all instructions and cautionary markings in this manual, on the battery pack, and product using battery to prevent misuse of the products and possible injury or damage.
-  WARNING:**
Charge only lithium-ion rechargeable batteries. Other types of batteries may burst, causing personal injury or damage. For compatible battery packs see tool/appliance/battery pack/charger correlation supplement 987000-432.
- Do not expose garage door opener to wet or damp conditions. Water entering product will increase the risk of electric shock.
 - Do not abuse cord or garage door opener. Do not pull the garage door opener's cord rather than the plug when disconnecting from receptacle. Damage to the cord or garage door opener could occur and create an electric shock hazard. If cord or garage door opener is damaged, have the garage door opener repaired by the manufacturer.
 - Do not let gasoline, oils, petroleum-based products, etc. come in contact with plastic parts. They contain chemicals that can damage, weaken, or destroy plastic.
 - Do not operate garage door opener with a damaged cord or plug, which could cause shorting and electric shock. If damaged, have the garage door opener replaced by the manufacturer.
 - Do not operate garage door opener if it has received a sharp blow, been dropped, or otherwise damaged in any way. Have a qualified electrician perform an electrical check to determine if the garage door opener is in good working order.
 - Do not disassemble garage door opener. Ship it to the manufacturer when service or repair is required. Incorrect reassembly may result in a risk of electric shock or fire.
 - Risk of electric shock. Do not touch uninsulated portion of output connector or uninsulated battery terminal.

SAFETY RULES FOR CHARGER

IMPORTANT SAFETY INSTRUCTIONS

1. SAVE THESE INSTRUCTIONS - DANGER: TO REDUCE RISK OF FIRE OR ELECTRIC SHOCK CAREFULLY FOLLOW THESE INSTRUCTIONS.

This manual contains important safety and operating instructions for the GD200A garage door opener.

2. **Before using garage door opener**, read all instructions and cautionary markings on garage door opener, battery, and product using battery.
3. **▲ CAUTION:** To reduce the risk of injury, charge only lithium-ion rechargeable batteries. Other types of batteries may burst, causing personal injury or damage.

WI-FI COMMUNICATION INFORMATION

- Your garage door opener can be operated remotely on the smartphone app.
 - The communication distance (range) between your garage door opener and your Wi-Fi router may be 100 feet (30 meters) inside your home. A number of factors in and around your home may reduce this range including the number of floors, number/size of rooms, furniture and types of building materials used for construction. Examples may include suspended ceilings, ductwork, large metallic appliances (refrigerators) and metal studs. Interference from these factors in your home can be overcome by adding Wi-Fi signal boosters to extend the range of the wireless signal from your router in your home.
- Since the 1990s, security algorithms have been used to encrypt and protect wireless signals. The two most commonly used algorithms are WEP and WPA/WPA2.
 - WEP (Wired Equivalent Privacy) is the oldest and most widely used security algorithm. Despite its popularity, this algorithm is the most susceptible to hacking. The network passwords used to protect WEP networks have to be exactly 10 or 26 characters long and can only include hexadecimal characters (a-f and 0-9). By modern standards, passwords with these limitations are not complex enough to offer adequate security. In 2005, the Federal Bureau of Investigation demonstrated WEP's vulnerabilities by easily cracking WEP passwords using publicly available software.

NOTE:

1. The range and proper operation of any wireless device will vary depending on factors in and around your home.
2. Your garage door opener may not transmit between buildings. If you have a detached garage, your garage door opener may not communicate properly with your Wi-Fi router.
3. Metal objects (e.g. wall studs) and metallic wallpaper may interfere with the signal from your Garage Door Opener. You will need to test your Garage Door Opener after any changes to your home or garage including remodeling, moving furniture and installing new appliances or devices that communicate with your Wi-Fi router.




NOTICE:

It is important that the wireless signal from your router is secured. An unsecured signal could allow unauthorized access to devices communicating on your home network including your garage door opener.








- Due to serious security concerns, your garage door opener will not connect to routers using WEP network security. Refer to your router's operator's manual to change the security type to WPA/WPA2.**
- WPA/WPA2 (Wi-Fi Protected Access) was created as a safer alternative to WEP. The cryptographic technology in this algorithm is far superior to that of its predecessor. WPA/WPA2 passwords can be up to 63 characters long and include hexadecimal characters as well as any printable ASCII characters (a-z, 0-9, punctuation marks, and some glyphs). Although it offers greater protections, WPA/WPA2 networks can still be vulnerable if weak passwords are used. Always use a strong password that includes upper and lower case letters, punctuation marks, numbers, and glyphs (if supported) to reduce the risk of the password being cracked or guessed by unauthorized parties.

SYMBOLS

The following signal words and meanings are intended to explain the levels of risk associated with this product.

SYMBOL	SIGNAL	MEANING
	DANGER:	Indicates an imminently hazardous situation, which, if not avoided, will result in death or serious injury.
	WARNING:	Indicates a potentially hazardous situation, which, if not avoided, could result in death or serious injury.
	CAUTION:	Indicates a potentially hazardous situation, which, if not avoided, may result in minor or moderate injury.
	NOTICE:	(Without Safety Alert Symbol) Indicates important information not related to an injury hazard, such as a situation that may result in property damage.

Some of the following symbols may be used on this product. Please study them and learn their meaning. Proper interpretation of these symbols will allow you to operate the product better and safer.

SYMBOL	NAME	DESIGNATION/EXPLANATION
	Safety Alert	Indicates a potential personal injury hazard.
	Read Operator's Manual	To reduce the risk of injury, user must read and understand operator's manual before using this product.
	Eye Protection	Always wear eye protection with side shields marked to comply with ANSI Z87.1 when assembling and performing maintenance on this product.
	Electrocution/ Electric Shock	Unplug the unit before attaching wires to reduce the risk of electrocution or electric shock.
	Moving Door	To avoid death or serious personal injury, stay clear of the garage door while it is moving and never attempt to run or walk under moving garage door.
	Recycle Symbols	This product uses lithium-ion (Li-ion) batteries. Local, state, or federal laws may prohibit disposal of batteries in ordinary trash. Consult your local waste authority for information regarding available recycling and/or disposal options.
	A Wi-Fi router connected to the internet in your home is required to use the app.	You will not be able to open your garage door or receive other information from the accessories using the Ryobi Garage Door Opener Accessory System App if your home's Wi-Fi connection with your garage door opener is not connected or functioning properly.

SYMBOLS

Some of the following symbols may be used on this product. Please study them and learn their meaning. Proper interpretation of these symbols will allow you to operate the product better and safer.

SYMBOL	NAME	DESIGNATION/EXPLANATION
—	Direct Current	Type or a characteristic of current
~	Alternating Current	Type of current
n_0	No Load Speed	Rotational speed, at no load
.../min	Per Minute	Revolutions, strokes, surface speed, orbits etc., per minute
V	Volts	Voltage
Hz	Hertz	Frequency (cycles per second)
A	Amperes	Current
W	Watt	Power

CALIFORNIA PROPOSITION 65

WARNING:

This product may contain chemicals, including lead, known to the State of California to cause cancer, birth defects or other reproductive harm. ***Wash hands after handling.***

ELECTRICAL

ELECTRICAL CONNECTION

This product has a precision-built electric motor. It should be connected to a **power supply that is 120 volts, AC only (normal household current), 60 Hz**. Except with battery pack installed, a substantial voltage drop will cause a loss of power and the motor will overheat. If your product does not operate when plugged into an outlet, double-check the power supply.

GROUNDING INSTRUCTIONS

See Figure 1.

This product must be grounded. In the event of a malfunction or breakdown, grounding provides a path of least resistance for electric current to reduce the risk of electric shock. This product is equipped with an electric cord having an equipment-grounding conductor and a grounding plug. The plug must be plugged into a matching outlet that is properly installed and grounded in accordance with all local codes and ordinances.

Do not modify the plug provided. If it will not fit the outlet, have the proper outlet installed by a qualified electrician.

⚠ WARNING:

Improper connection of the grounding plug can result in a risk of electric shock. When repair or replacement of the cord is required, do not connect the grounding wire to either flat blade terminal. The wire with insulation having an outer surface that is green with or without yellow stripes is the grounding wire.

Check with a qualified electrician or service personnel if the grounding instructions are not completely understood, or if in doubt as to whether the product is properly grounded.

Repair or replace a damaged or worn cord immediately.

This product is for use on a nominal 120 V circuit and has a grounding plug similar to the plug illustrated in figure 1. Only connect the product to an outlet having the same configuration as the plug. Do not use an adapter with this product.

GROUND FAULT CIRCUIT INTERRUPTER

See Figure 2.

The 10 amp, 120 volt receptacles on the garage door opener are protected by a Ground Fault Circuit Interrupter (GFCI), which guards against the hazards of ground fault currents.

An example of ground fault current is the current that would flow through a person who is using an appliance with faulty insulation and, at the same time, is in contact with an electrical ground such as a plumbing fixture, wet floor, or earth.

GFCI receptacles do not protect against short circuits, overloads, or shocks.

The GFCI receptacles can be tested with the TEST and RESET buttons.

To test:

- Open the console door.
- Depress the TEST button. This should cause the RESET button to pop out.
- To restore power, depress the RESET button.

Perform this test monthly to ensure proper operation of the GFCI.

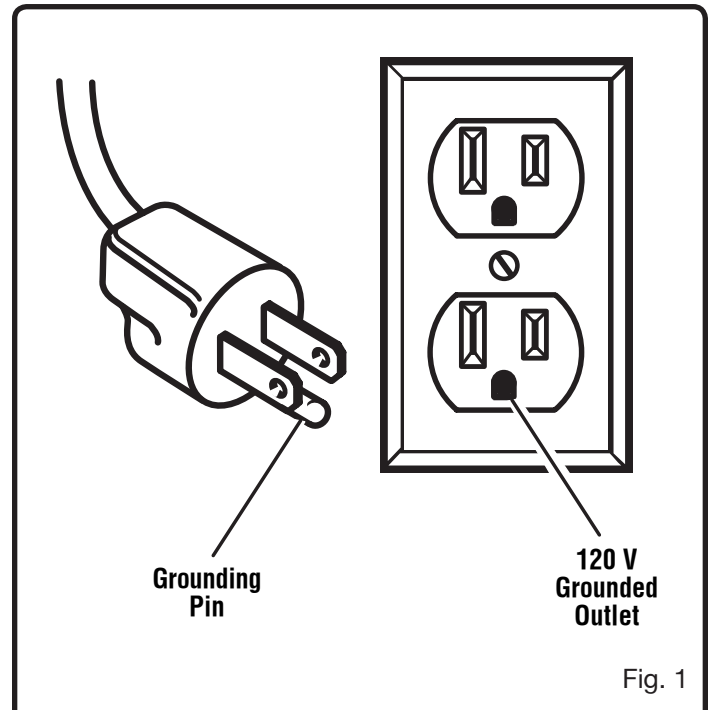


Fig. 1

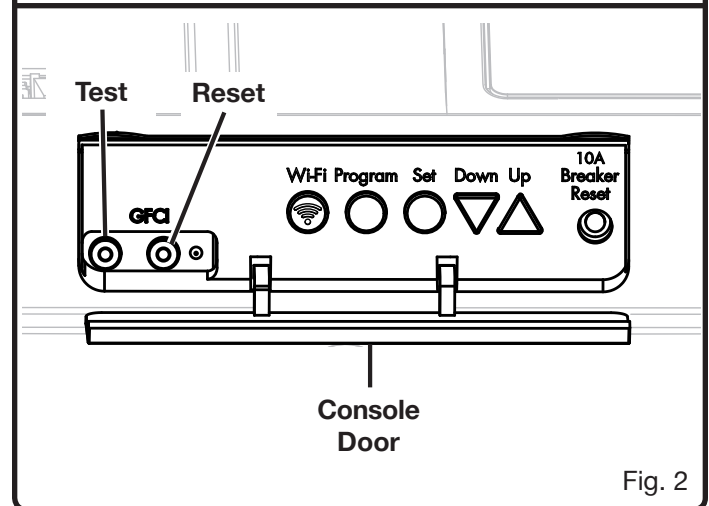


Fig. 2

FEATURES

PRODUCT SPECIFICATIONS

Accessory Capacity up to 7
Max Garage Door Height 7 ft.*
Bulb Type LED
Drive Type Belt Drive
Input 120V AC, 60 Hz. or 18V DC
Motor 2 HPs**
No Load Speed (Max) 8.5 in. per second
Rail Length 10 ft.

Remote Detection Range 300 ft.
Motion Sensor Detection Range 18 ft.
Vehicle and Home HomeLink® compatible***

* Extension kits are available.

** Horsepower Similar (HPs) designates that this system meets RYOBI pulling force specification for a 2.0 horsepower garage door opener.

*** HomeLink® and the HomeLink® house icon are registered trademarks of Gentex Corporation.

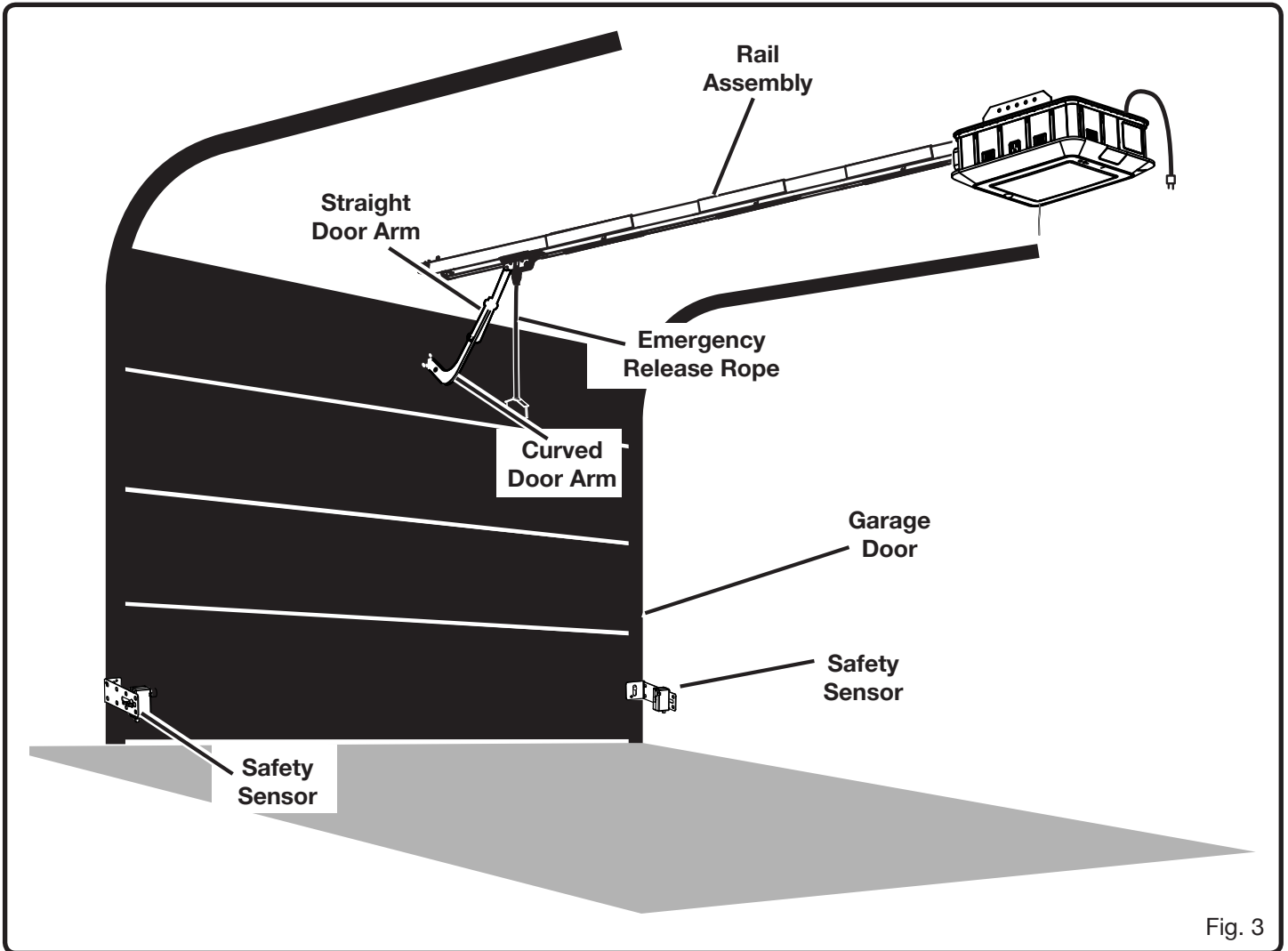


Fig. 3

FEATURES

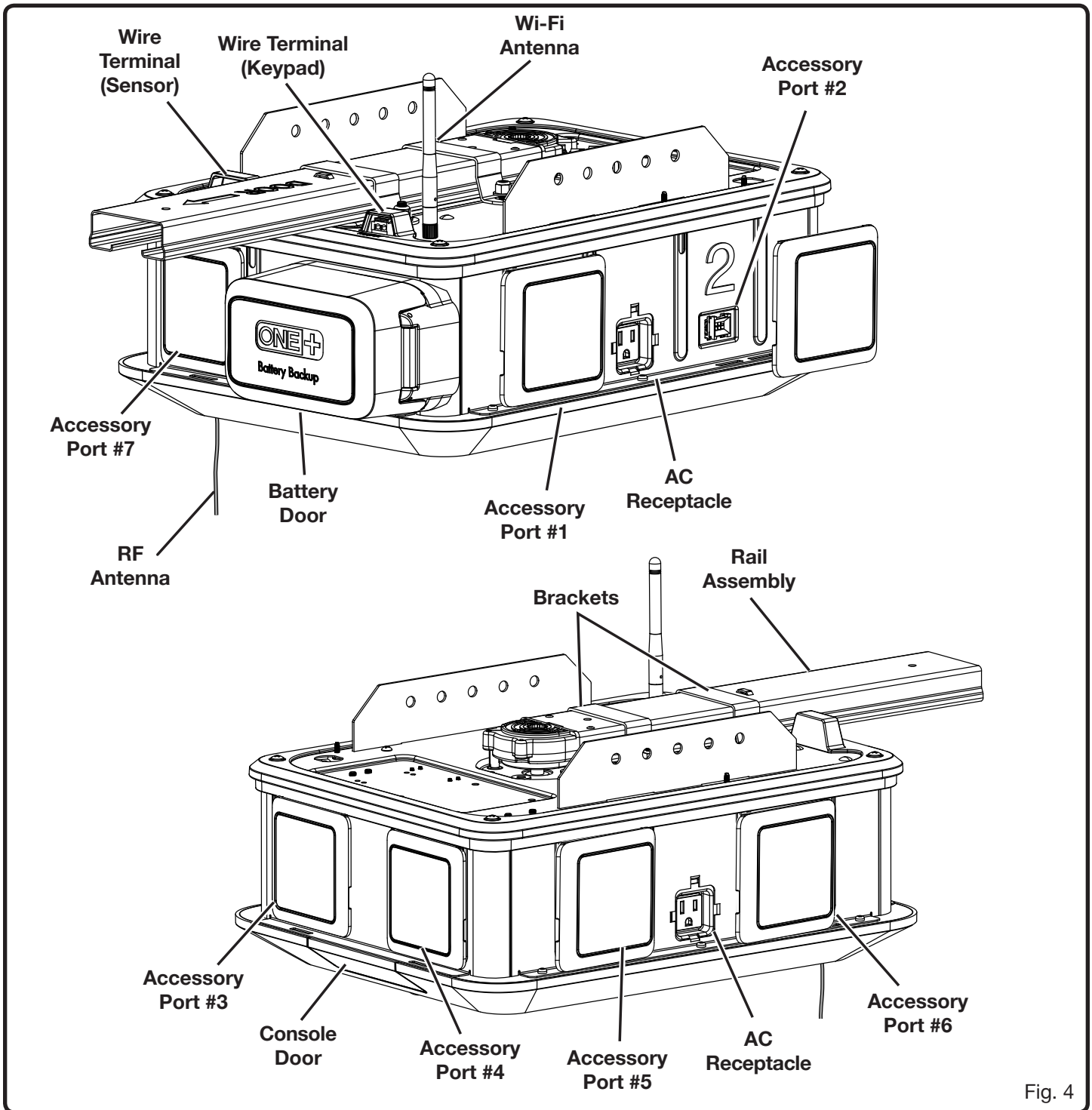


Fig. 4

FEATURES

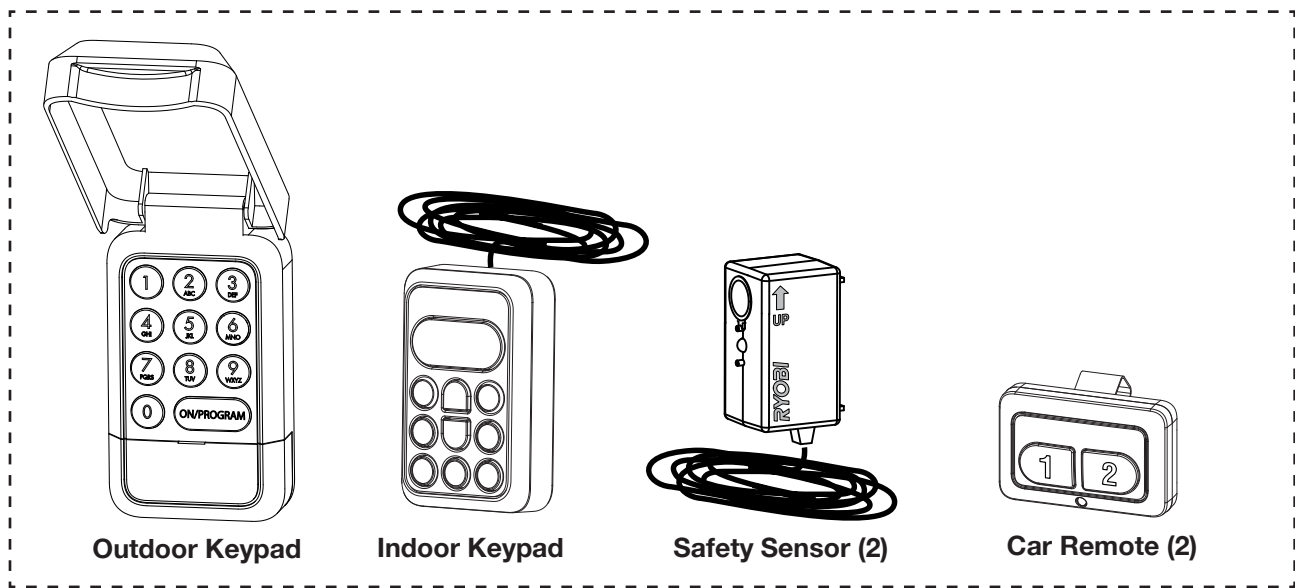
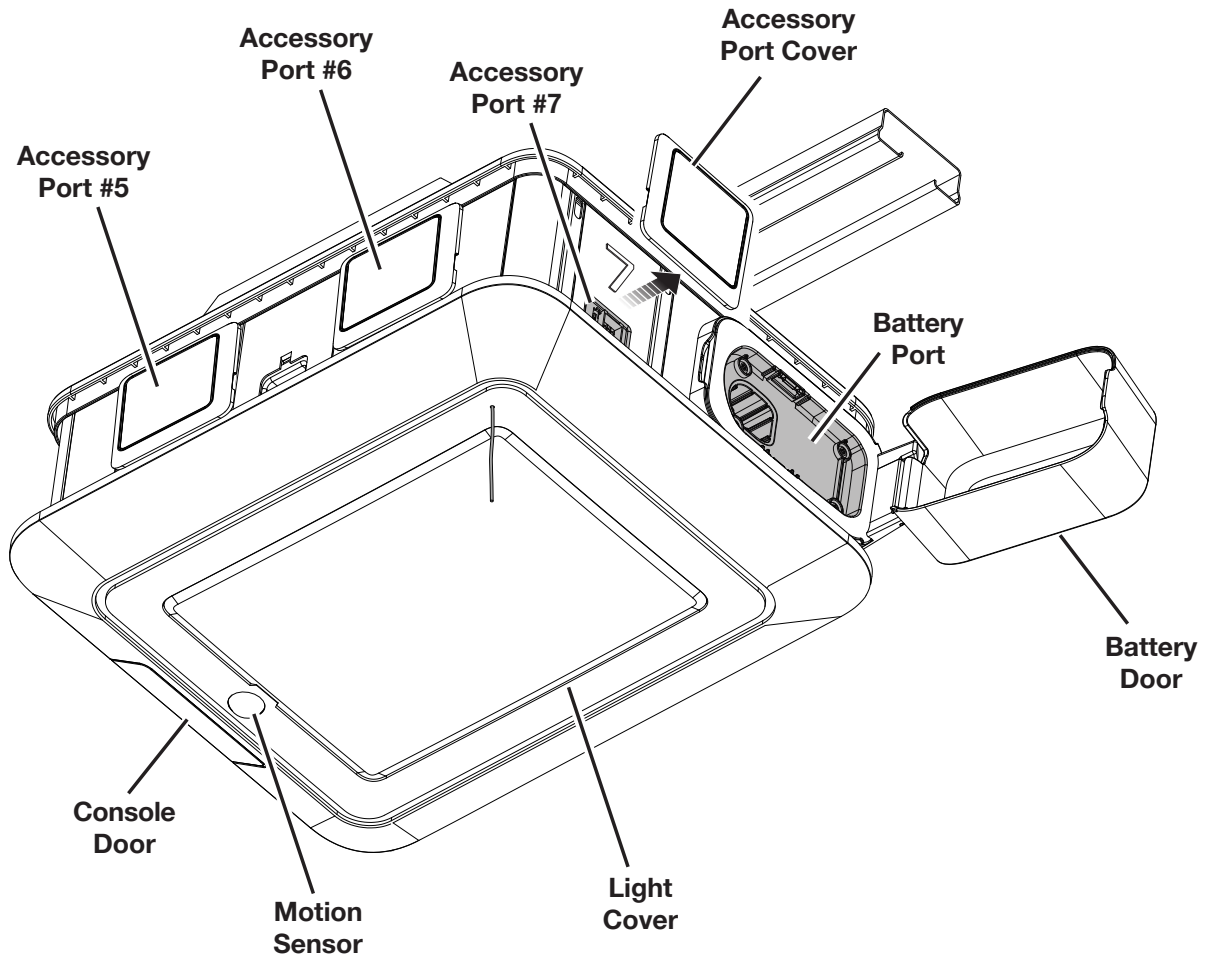


Fig. 5

FEATURES

KNOW YOUR GARAGE DOOR OPENER

See Figures 3 - 5.

The safe use of this product requires an understanding of the information on the product and in this operator's manual as well as a knowledge of the project you are attempting. Before use of this product, familiarize yourself with all operating features and safety rules.

AC RECEPTACLE

The garage door opener has two 120 Volt AC GFCI protected receptacles with a combined rating of 10 Amps. These can be used for operating AC garage door accessories as well as appropriate appliances, electrical lighting, and tools.

ANTENNAS

The Wi-Fi and RF antennas allow the garage door opener to communicate with the smartphone app, car remotes, and outdoor keypads.

AUTOMATIC REVERSAL SYSTEM

When a closing garage door contacts an object that is 1-1/2 in. above the garage floor, the automatic reversal system will stop and raise the door to the fully open position.

BATTERY BACKUP

When not connected to an AC power source, the garage door opener and LED lights can be operated with RYOBI 18 Volt ONE+™ lithium-ion batteries.

CAR REMOTES

Convenient car remotes allow you to activate the garage door opener from a distance of up to 300 ft. The remotes are equipped with a visor clip, so you can store them on your car's sun visor.

BATTERY CHARGER

The built-in battery charger accepts RYOBI 18 Volt ONE+™ lithium-ion batteries.

BELT DRIVE SYSTEM

This product is equipped with a belt drive system that is quieter than traditional chain drive models.

CIRCUIT BREAKER

The circuit breaker is provided to protect the AC accessories against electrical overload. The circuit breaker may be reset by pressing the circuit breaker reset button.

EMERGENCY RELEASE ROPE

In the case of an emergency or entrapment, pulling the emergency release rope will allow you to manually raise a closed garage door.

HOMELINK® COMPATIBILITY

Features on your garage door opener can be controlled by cars and homes equipped with HomeLink® control systems.

HomeLink® and the HomeLink® house icon are registered trademarks of Gentex Corporation.

INDOOR KEYPAD

The indoor keypad is installed on the interior of the garage and can be used to open and close the garage door, activate the accessory ports, and turn the LED lights on and off.

LED LIGHTS

LED lights are located beneath the light cover and illuminate whenever the motor is running, the **LIGHT** (☀) button on the indoor keypad is pressed, or motion is detected. To turn the LED lights off, press the **LIGHT** (☀) button.

NOTE: By default, the LED lights will illuminate for three minutes after the **LIGHT** (☀) button is pressed. The time can be adjusted in one minute increments, between three and ten minutes, using the RYOBI Garage Door Opener Accessory System App.

ACCESSORY PORTS

Your garage door opener has seven ports for operating DC garage door accessories.

MOTION SENSING

Passive infrared motion sensing turns the LED lights on when movement is detected in the garage.

NOTE: The motion sensor is deactivated for ten seconds each time the **LIGHT** (☀) button is pressed.

RAIL SYSTEM

The ergonomic rail design makes assembly and installation quick and easy.

SMART PHONE COMPATIBILITY

The garage door opener can be operated remotely with a smart phone using the RYOBI Garage Door Opener Accessory System App. For more information, visit ryobitools.com or download the app from the **App Store** or **Google Play Store**.

SAFETY SENSORS

Your garage door opener comes with two sensors that cast an invisible light beam across the opening of your garage. If an object crosses the path of the beam while the garage door is closing, the door will automatically stop and reverse to the fully open position.

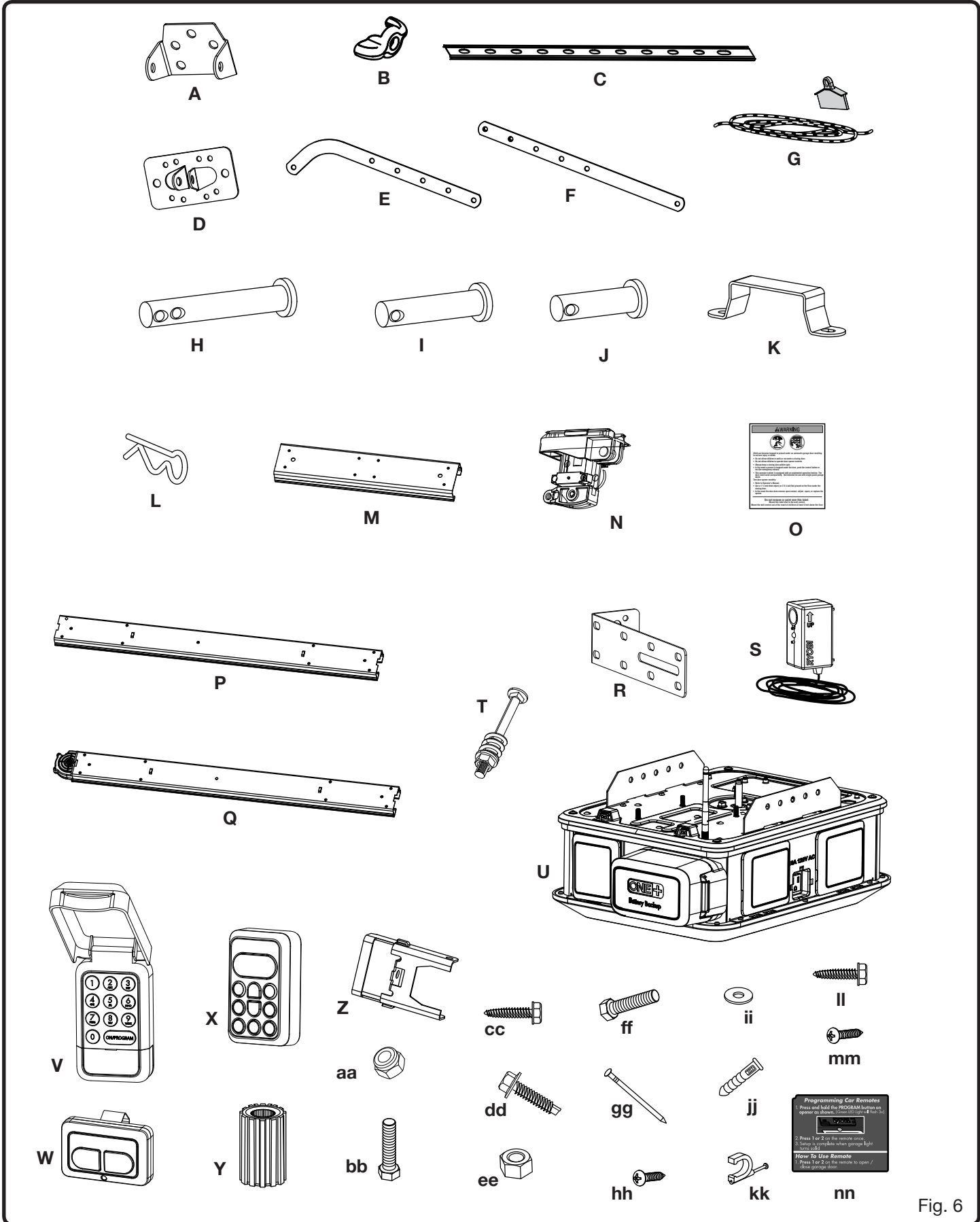
VACATION MODE

To enter and exit vacation mode, press the **LOCK** (🔒) button on the indoor keypad. When in vacation mode, the garage door opener can only be controlled by the indoor keypad and smart phone app.

WIRELESS OUTDOOR KEYPAD

The wireless outdoor keypad can be used to open and close the garage door. For security, the outdoor keypad allows you to set up a custom four digit personal identification code.

LOOSE PARTS



Programming Car Remotes
 Press and hold the PROGRAM button on opener on below... (4 min.)
 1. Press 1 or 2 on the remote once.
 2. Press 1 or 2 on the remote when green light comes on to indicate when garage light.
How To Use Remote
 Press 1 or 2 on the remote to open / Close garage door.

Fig. 6

LOOSE PARTS

The following items are included with your garage door opener:

A.	Header Bracket.....	1
B.	Wing Nut.....	2
C.	Mounting Strap.....	2
D.	Door Bracket.....	1
E.	Curved Door Arm.....	1
F.	Straight Door Arm.....	1
G.	Emergency Release Rope.....	1
H.	Large Clevis Pin.....	1
I.	Medium Clevis Pin.....	1
J.	Small Clevis Pin.....	1
K.	Bracket.....	2
L.	Hitch Pin.....	3
M.	Sleeve.....	3
N.	Outer Trolley.....	1
O.	Entrapment Warning Label (Eng., Fr., and Sp.).....	3
P.	Support Rail.....	3
Q.	End Rail.....	1
R.	Sensor Bracket.....	1
S.	Safety Sensor.....	2
T.	Pulley Rod Assembly.....	1
U.	Power Head.....	1
V.	Outdoor Keypad.....	1
W.	Car Remote.....	2
X.	Indoor Keypad.....	1
Y.	Sprocket.....	1
Z.	Front Brace.....	1
aa.	Nut (7/16 in.).....	10
bb.	Bolt (7/16 in. x 3/4 in.).....	6
cc.	Lag Screw (7/16 in. x 1-1/2 in.).....	2
dd.	Self-tapping Screw.....	2
ee.	Lock Nut (1/2 in.).....	2
ff.	Bolt (1/2 in. x 1 in.).....	2
gg.	Nail (2 in.).....	2
hh.	Screw (1 in., Phillips Hd.).....	2
ii.	Washers (7/16 in.).....	6
jj.	Drywall Anchor.....	2
kk.	Insulated Staple.....	30
ll.	Lag Screw (1/2 in. x 1-1/2 in.).....	2
mm.	Screw (1-1/2 in., Phillips Hd.).....	2
nn.	Instructions Label (Eng., Fr., and Sp.).....	3

TOOLS NEEDED

The following tools (not included or drawn to scale) are needed for assembly and adjustments:

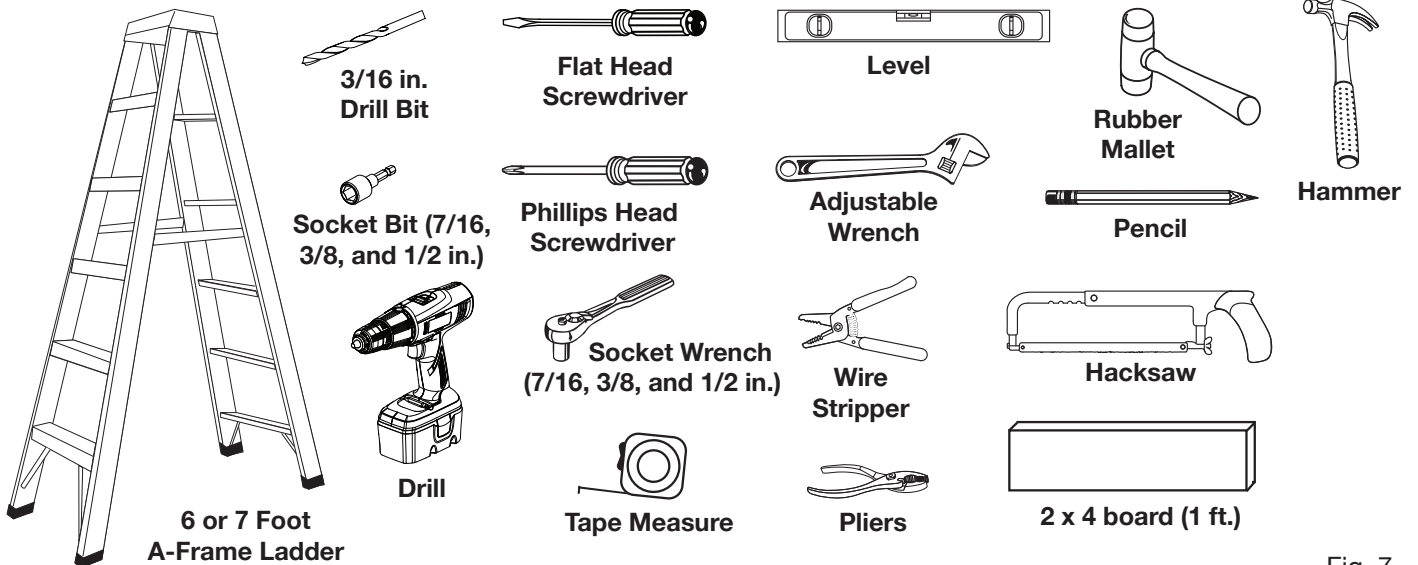


Fig. 7

ASSEMBLY

UNPACKING

This product requires assembly.

- Carefully remove the product and any accessories from the box. Make sure that all items listed in the loose parts list are included.

NOTE: This tool is heavy. To avoid back injury, lift with your legs, not your back, and get help when needed.

⚠ WARNING:

Do not use this product if any parts on the Loose Parts List are already assembled to your product when you unpack it. Parts on this list are not assembled to the product by the manufacturer and require customer installation. Use of a product that may have been improperly assembled could result in serious personal injury.

- Inspect the tool carefully to make sure no breakage or damage occurred during shipping.
- Do not discard the packing material until you have carefully inspected and satisfactorily operated the tool.
- If any parts are damaged or missing, please call 1-877-205-5714 for assistance.

NOTE: The instructions label on the unit is in English only. For customers whose primary language is French or Spanish,

please remove the English label from the unit and replace with the desired translated label in the same position.

⚠ WARNING:

If any parts are damaged or missing do not operate this tool until the parts are replaced. Use of this product with damaged or missing parts could result in serious personal injury.

⚠ WARNING:

Do not attempt to modify this tool or create accessories not recommended for use with this tool. Any such alteration or modification is misuse and could result in a hazardous condition leading to possible serious personal injury.

⚠ WARNING:

Do not connect to power supply until assembly is complete. Failure to comply could result in accidental starting and possible serious personal injury.

ASSEMBLY

⚠ WARNING:

Always wear eye protection with side shields marked to comply with ANSI Z87.1 when assembling and performing maintenance on this product. Failure to do so could result in objects being thrown into your eyes resulting in possible serious injury.

NOTICE:

Many of the illustrations in this manual show only portions of the garage door opener. This is intentional so that we can clearly show points being made in the illustration. Never operate the garage door opener without all parts securely in place and in good operating condition.

⚠ WARNING:

Confirm that the inner trolley is in the orientation shown in Figure 10. An incorrectly installed Inner Trolley could result in the garage door opener operating in the opposite direction from its intended movement and result in death or serious personal injury from the moving garage door.

ASSEMBLING THE RAILS

See Figures 8 - 18.

- Locate the following items:

Front Brace
 End Rail
 Support Rail (3)
 Sleeves (3)
 Pulley Rod Assembly
 Outer Trolley

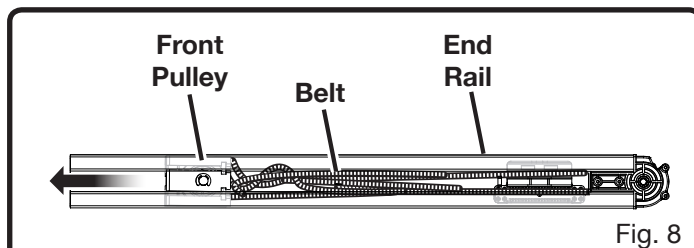


Fig. 8

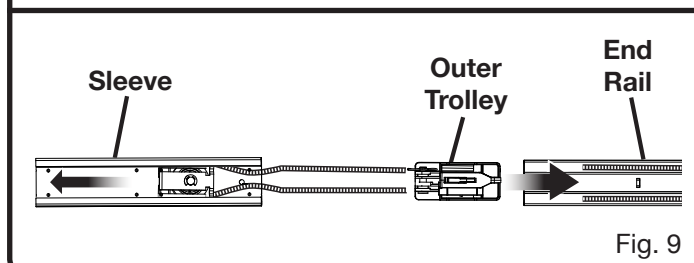


Fig. 9

- Remove tie wrap from rail and pulley.
- Pull the front pulley and belt through the end rail and into a sleeve.
- Slide the outer trolley into the end rail.
- Pull the release lever down and move outer trolley toward the inner trolley until they are engaged.
- Insert the edge of the end rail into the sleeve. Slide together until rail clicks in place. If you cannot get the rail to fit by hand, try gently tapping it with a rubber mallet until it is snug and clicks in place. **Be careful not to pinch or damage the belt.**
- Repeat this process to attach a support rail, second sleeve, second support rail, third sleeve, and then the third support rail. When assembled correctly, the rails should not separate easily when pulled.

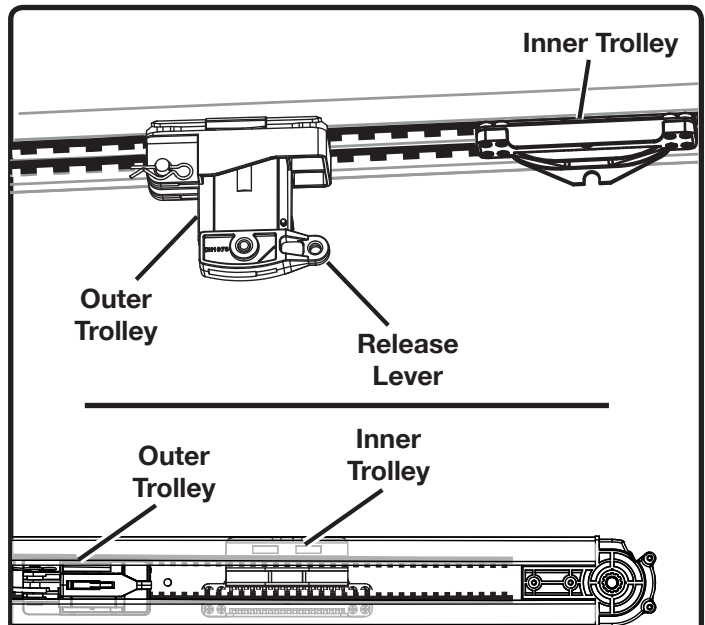


Fig. 10

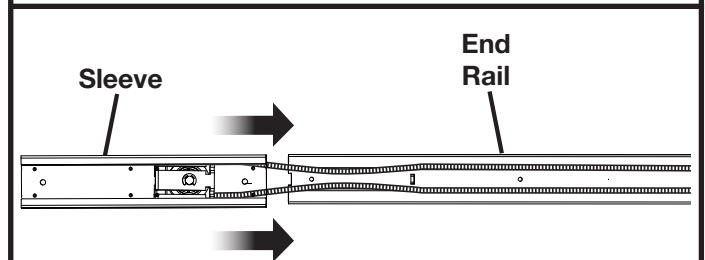


Fig. 11

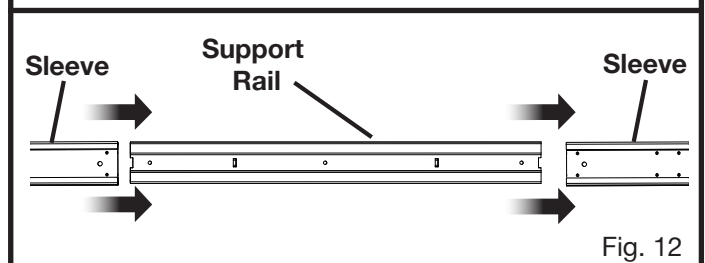
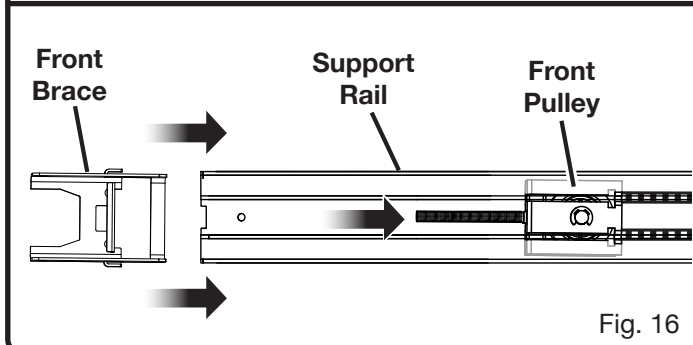
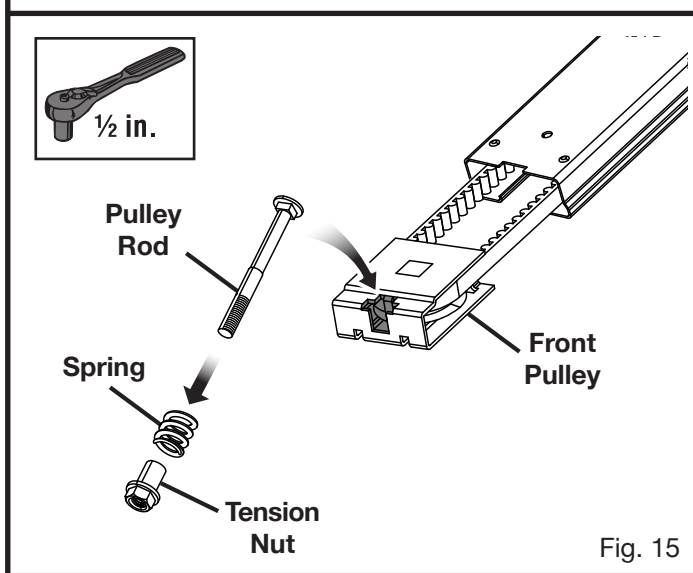
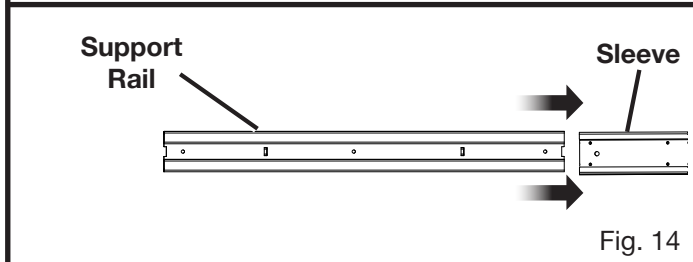
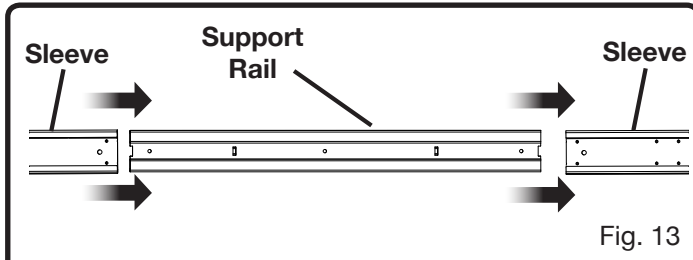


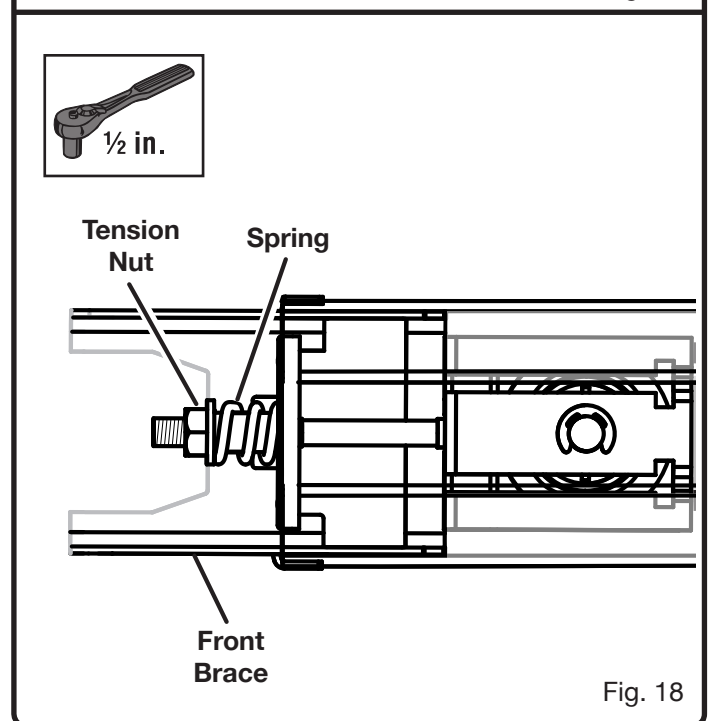
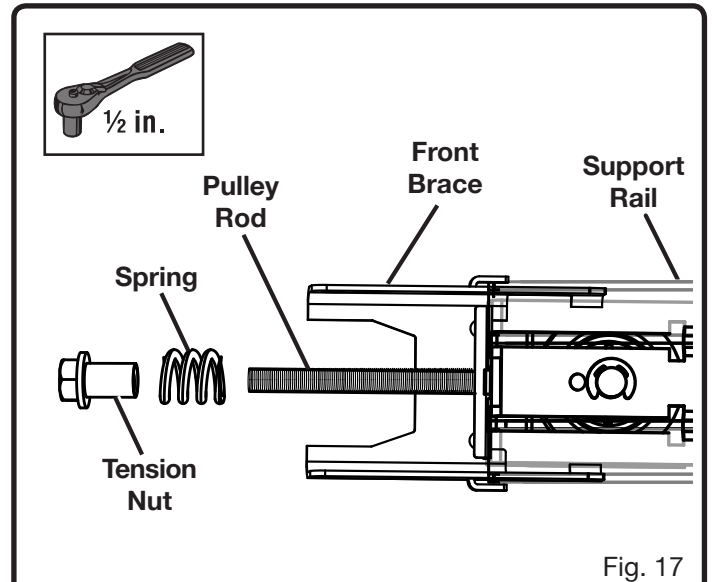
Fig. 12

ASSEMBLY

- Pull the front pulley and belt through top of the rail assembly.
- Turn the tension nut on the pulley rod counterclockwise to loosen. Remove the tension nut and spring from the pulley rod.
- Insert the pulley rod into the front pulley.
NOTE: Ensure the head of the rod is fully seated in the pulley.
- Move the front pulley back into the rail assembly.



- Insert the edge of the front brace into the rail assembly. Slide together until brace clicks in place. If you cannot get the brace to fit by hand, try gently tapping it with a rubber mallet until it is snug.
- Pull the front pulley forward and slide the rod through the hole in the brace.
- Install spring and tension nut onto pulley rod.
- Move the inner and outer trolley to the middle of the rail assembly.

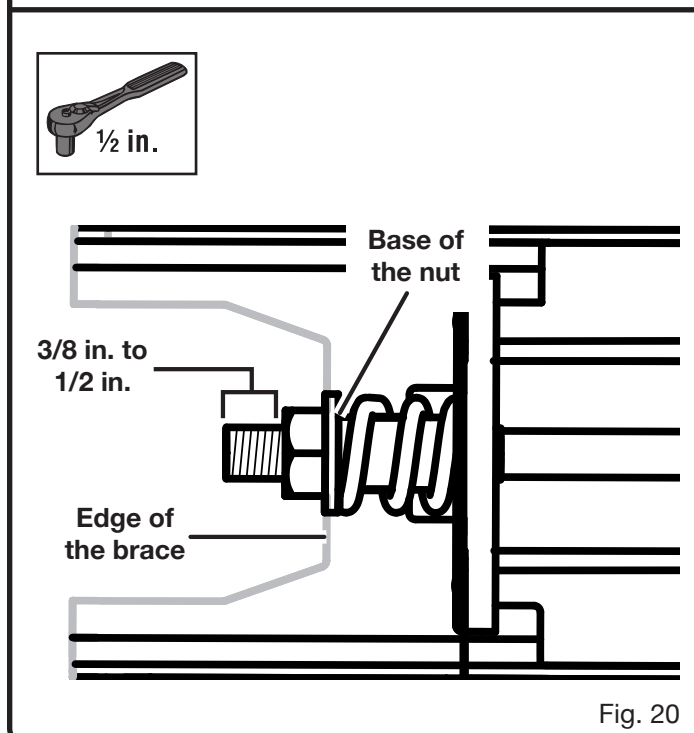
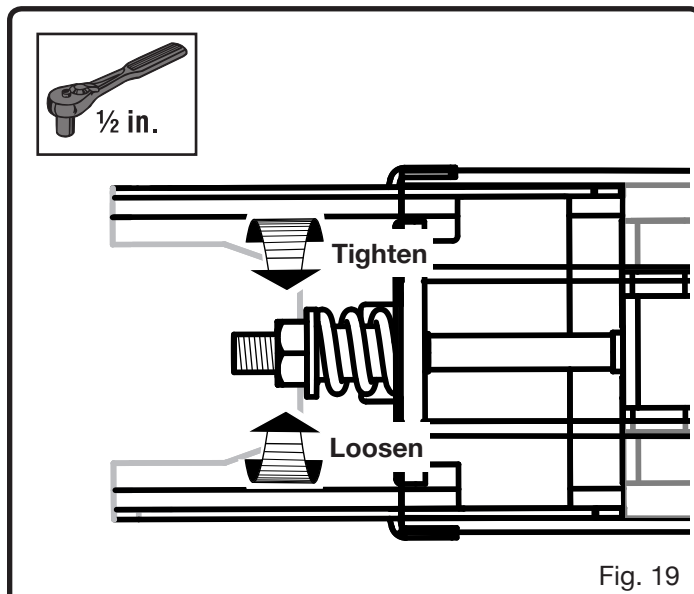


ASSEMBLY

ADJUSTING THE BELT TENSION

See Figures 18 - 21.

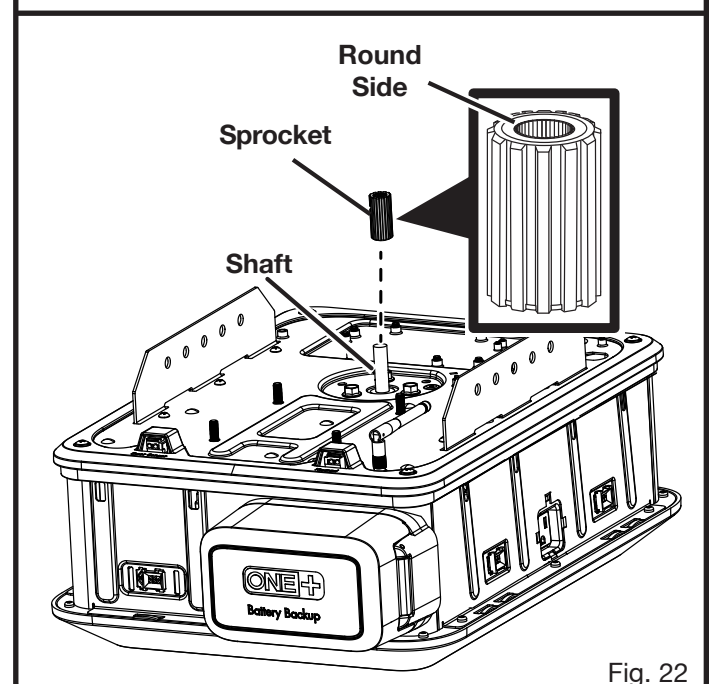
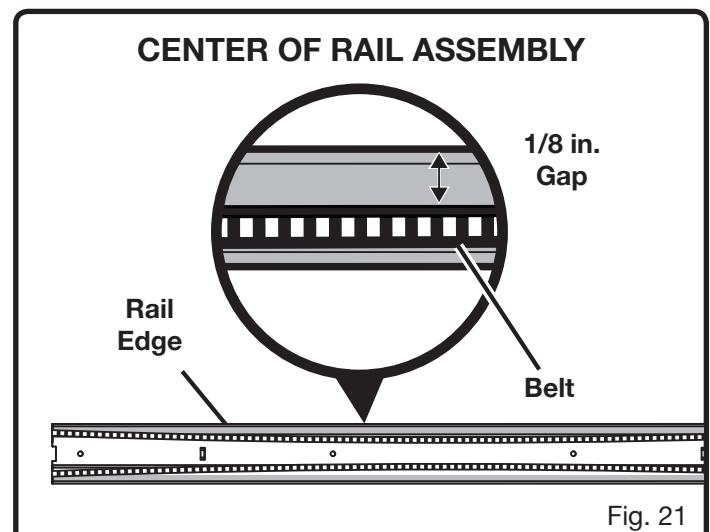
- Using a 1/2 in. socket, turn the tension nut clockwise to tighten the belt and counter-clockwise to loosen it. Adjust the nut until there is approximately 3/8 to 1/2 in. of exposed thread showing above it or until the base of the nut is aligned with the edge of the brace.
- When properly tensioned, there should be about a 1/8 in. gap between the belt and the edges of the rail near the center of the rail assembly.



ATTACHING RAIL ASSEMBLY TO POWER HEAD

See Figures 22 - 25.

- Locate the following items:
 - Power Head
 - Bracket (2)
 - Nut (7/16 in.) [4]
 - Sprocket
 - Rail Assembly
- Place the power head on a towel or the packaging material with the light cover facing down. Do not place the unit directly on hard surfaces as this may damage the light cover and motion sensor.

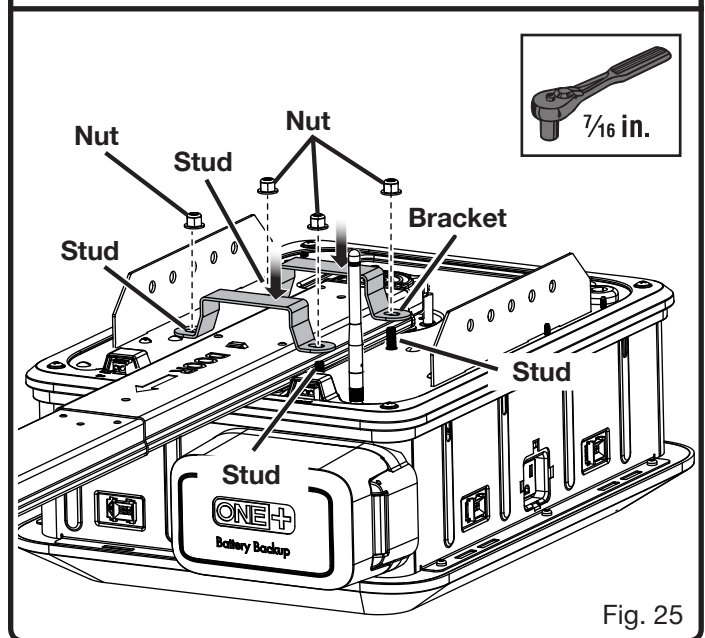
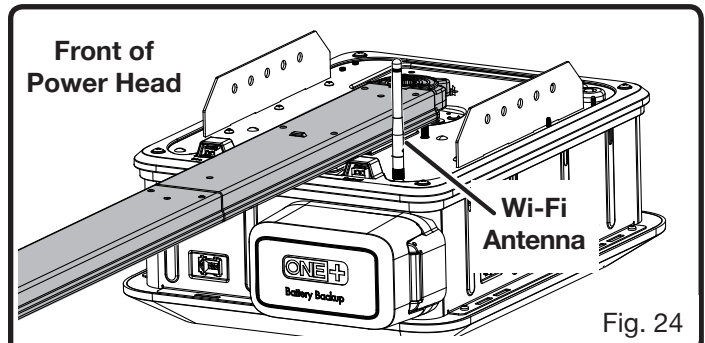
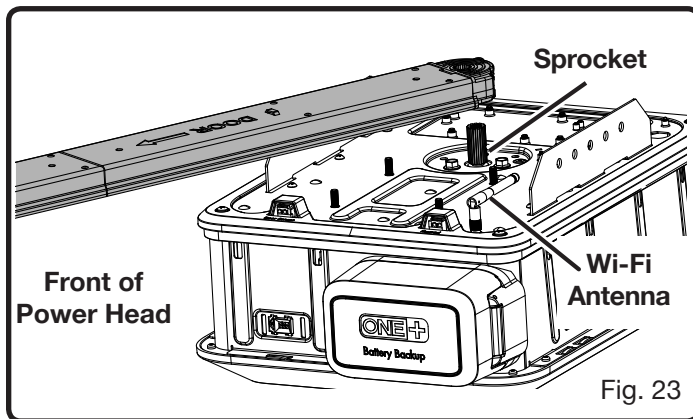


ASSEMBLY

- Remove the tape securing the Wi-Fi antenna and raise it to an upright position to ensure the best Wi-Fi signal.

NOTE: Ensure that the antenna is screwed into the power head securely.

- Place the sprocket onto the motor shaft with the round side of the sprocket facing up.
- Hold the rail assembly above the power head with arrow pointing toward the front of the power head and the garage door.
- Rotate the rail assembly until the opening in the rail is aligned with the sprocket.
- Lower the end rail onto the sprocket with the channel (open end) facing down. Slowly rotate the rail to the correct orientation as you lower it into position.
- When installed correctly, the teeth on the sprocket should engage the rail assembly and the rail should sit flat on the power head.
- Place the brackets on top of the studs, and over the end rail.
- Place nuts onto the studs and tighten using a 7/16 in. socket. **Do not overtighten.**



INSTALLATION

IMPORTANT INSTALLATION INSTRUCTIONS

WARNING: **TO REDUCE THE RISK OF SEVERE INJURY OR DEATH:**

1. READ AND FOLLOW ALL INSTALLATION INSTRUCTIONS.
2. Install only on a properly balanced garage door. An improperly balanced door could cause severe injury. Have a qualified service person make repairs to cables, spring assemblies and other hardware before installing opener.
3. Remove all ropes and remove or make inoperative all locks connected to the garage door before installing opener.
4. Where possible, install door opener 7 feet or more above the floor. For products having an emergency release, mount the emergency release within reach, but at least 6 feet above the floor and avoiding contact with vehicles to avoid accidental release.
5. Do not connect opener to source of power until instructed to do so.
6. Locate control button: (a) within sight of door, (b) at a minimum height of 5 feet so small children cannot reach it, and (c) away from all moving parts of the door.
7. Install Entrapment Warning Label next to the control button in a prominent location. Install the Emergency Release Marking. Attach the marking on or next to the emergency release.
8. After installing opener, the door must reverse when it contacts a 1-1/2 inch high object (or a 2 by 4 board laid flat) on the floor.
9. **WARNING:** To reduce the risk of injury to persons - Only enable the unattended operation feature when installed on a sectional door.

WARNING:

To reduce the risk of injury to persons – Only enable the RYOBI Garage Door Opener Accessory System App feature when installed with a sectional door.

WARNING:

Do not connect the garage door opener to a power supply during installation unless specifically instructed to do so. Failure to comply could result in accidental starting and possible serious personal injury.

WARNING:

To avoid serious personal injury, make sure the garage door opener is mounted to joists. Never mount the unit to drywall or false ceiling grids.

WARNING:

Always wear eye protection with side shields marked to comply with ANSI Z87.1 when installing this product. Failure to do so could result in objects being thrown into your eyes resulting in possible serious injury.

NOTICE:

Many of the illustrations in this manual show only portions of the garage door opener. This is intentional so that we can clearly show points being made in the illustration. Never operate the garage door opener without all parts securely in place and in good operating condition.

WARNING:

If you feel uncomfortable performing any of the installation steps described in this manual, have the installation performed by a qualified service person. Improper installation of the garage door opener can result in death, serious personal injury, or property damage.

INSTALLATION

CHECK THE CONDITION OF THE DOOR AND IDENTIFY THE SPRING TYPE

See Figure 26 - 28.

⚠ WARNING:

If the garage door does not move smoothly, binds, or is out of balance, have it repaired or replaced by a qualified service person. An unbalanced or damaged garage door may not reverse on command, which can result in death or serious personal injury.

NOTICE:

The garage door opener may not function as intended if installed onto an unbalanced garage door.

- Remove any ropes attached to the garage door.
- Disable any and all door locks.
- Raise and lower the door to ensure it moves smoothly.
- Check the balance of the door. Raise the door until it is half open and release it. If properly balanced, the door will remain in this position without moving.

NOTE: For single-panel garage doors, balance can be checked at two additional positions. Raise the door until it is nearly in the fully open position (about shoulder height) and release it. If properly balanced, the door should move to the fully open position. Lower the door until it is nearly in the fully closed position (about knee height). If properly balanced, the door should move to the fully closed position.

- If the door does not move smoothly, binds, or is out of balance, this could indicate a problem with the door, door springs (torsion spring and/or extension spring), or door spring components. Have the garage door or door springs repaired by a qualified service person before installing garage door opener.

⚠ WARNING:

Never attempt to loosen, adjust, or remove the door springs (torsion spring and/or extension spring), door spring components, or any surfaces to which these items are secured. These items are under extreme tension and any such alteration could result in death, serious personal injury, or property damage.

- If the door moves smoothly and is balanced, you may begin installing the garage door opener.

Half-Open Position

Sectional Door

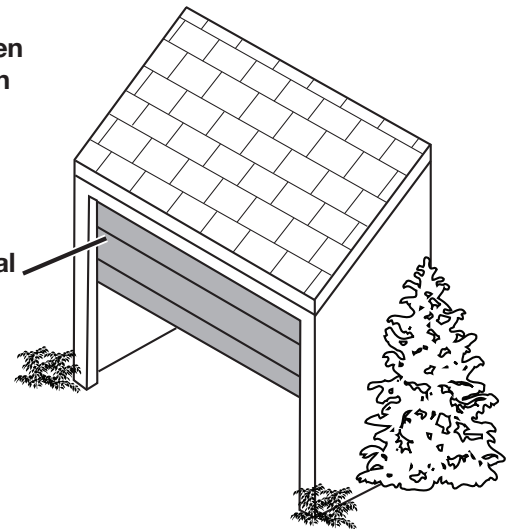


Fig. 26

Half-Open Position

Single-Panel Door

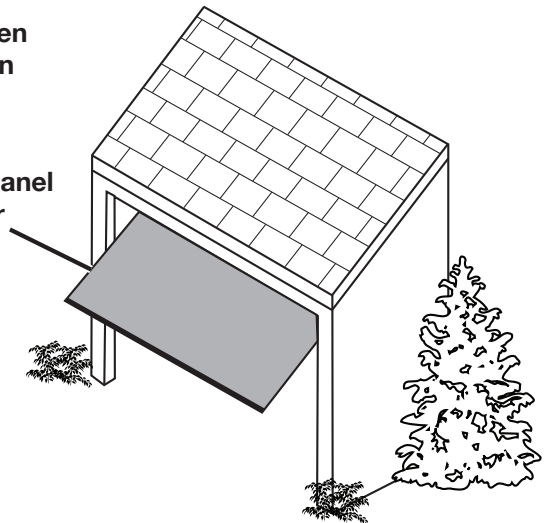


Fig. 27

Torsion Spring

Extension Spring

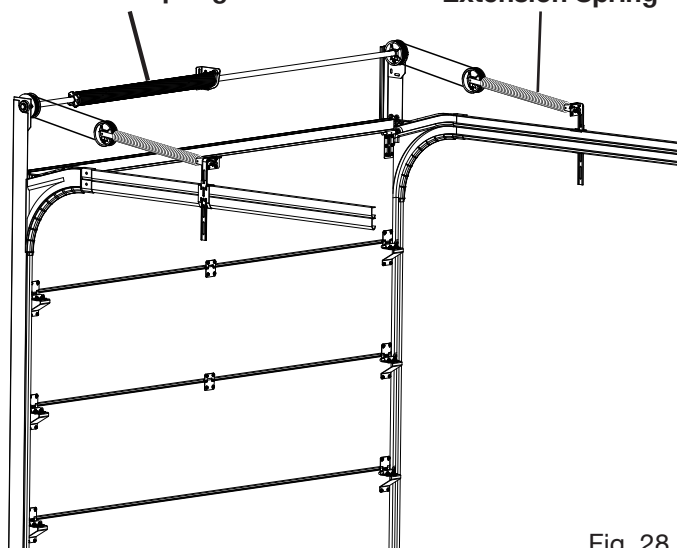


Fig. 28

INSTALLATION

INSTALLING THE HEADER BRACKET

See Figures 29 - 31.

⚠ WARNING:

To avoid serious personal injury, attach header bracket to sound structural support on header wall. NEVER install the header bracket into weak surfaces such as drywall that can cause the header bracket to fall.

⚠ WARNING:

ALWAYS use lag screws and concrete anchors (not included) when installing the header bracket or 2x4 into concrete, brick, or other masonry. Failure to properly install the header bracket and associated hardware can result in a falling object hazard and result in death or serious personal injury.

⚠ WARNING:

Only install screws, bolts, anchors, and other hardware into sound structural supports in areas where no electrical wires, utility cables, pipes, or other obstructions are located. Contact your local utility company or a qualified electrician if you are unsure. Ensure all hardware components are securely installed to prevent falling objects. Failure to follow these instructions can result in death, electrical shock, or other serious personal injury.

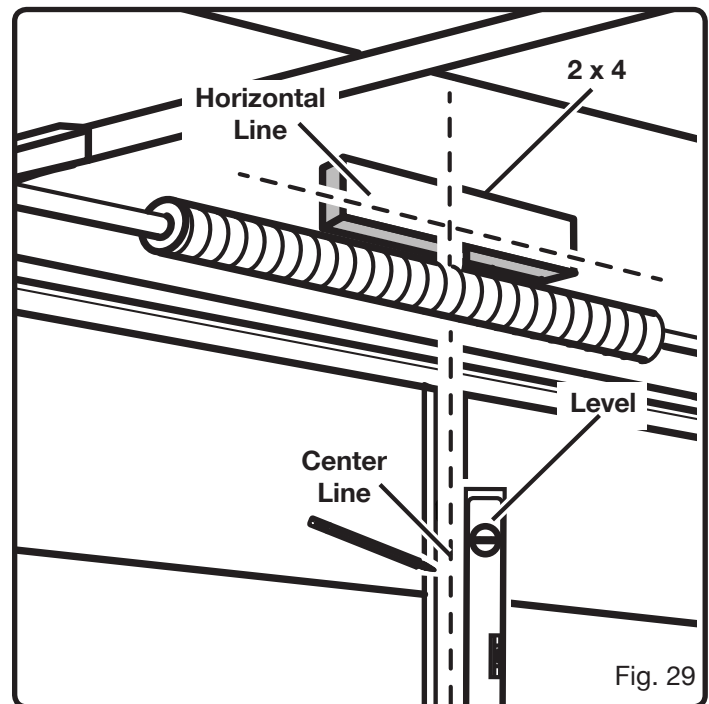
Always install the header bracket onto a sturdy surface. The force required to raise and lower the garage door could pull the bracket and mounting hardware out of weak surfaces such as drywall. For some installations, it may be necessary to create a suitable location for the bracket by installing a

2 x 4 board. The 2 x 4 board can be installed between two studs or into masonry using lag screws and concrete anchors (not supplied).

- Locate the following items:
 - Header Bracket
 - Lag Screw (1/2 in. x 1-1/2 in.) [2]

To install the bracket to the header wall:

- Lower the garage door completely.
- Using a pencil and a level, draw a vertical line in the center of the top portion of the garage door.
- Continue drawing the center line from the door to the header wall. Extend the line to about a foot above the garage door or as far as possible.

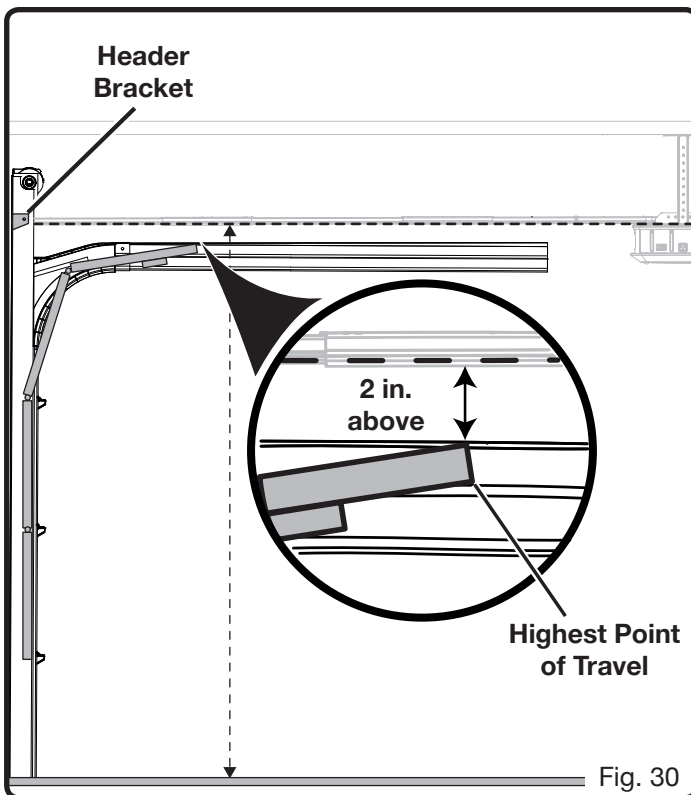


INSTALLATION

- Stand on a ladder near the garage door as someone slowly raises it. While it's moving, find and mark the highest point of travel along the center line. The high point will vary based on the type and construction of your garage door, but typically it will be 10-12 inches above the top of the door.

⚠ WARNING:

Use extreme care when standing on a ladder. Ensure someone is holding the ladder on the ground to keep it stable. Failure to safely use a ladder can cause a fall and result in death or serious personal injury.

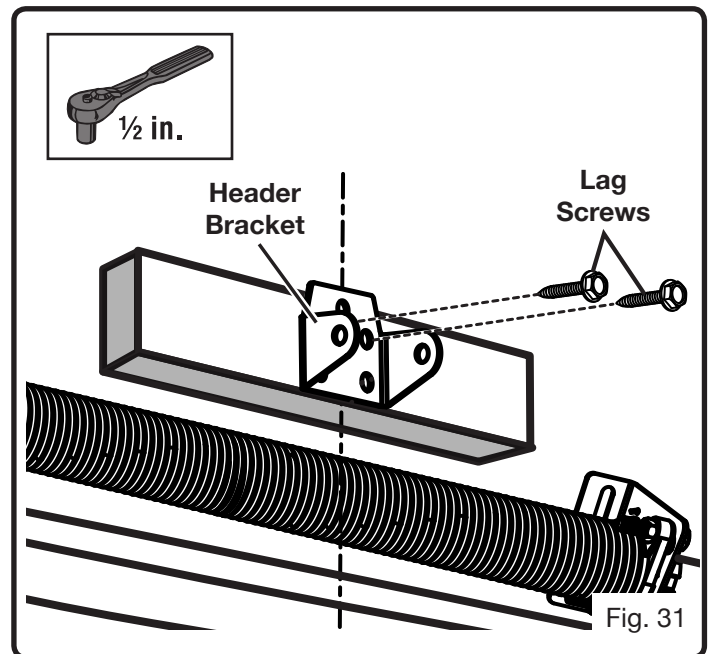


- Draw a bisecting horizontal line above the high point:
 - For sectional or single-panel garage doors with tracks, the line should be approximately two inches above the high point.

- For single-panel garage doors without tracks, the line should be approximately 8 in. above the high point.

NOTE: The position of the horizontal line will determine the clearance between the top of the door and the rail assembly. If the height of your garage prohibits you from drawing the line as specified above, draw it as far above the high point as possible.

- Orient the header bracket as shown in figure 31.
- Place the bottom edge of the header bracket on the horizontal line and center the bracket on the center line.
- Mark the holes in the bracket.
- Drill 3/16 in. pilot holes and secure the bracket in place using lag screws. Install screws with a 1/2 in. socket.



INSTALLATION

ATTACHING RAIL ASSEMBLY TO HEADER BRACKET

See Figure 32.

- Locate the following items:

Large Clevis Pin

Hitch Pin

- Place the power head on top of a prop or on the ground with a towel or packaging material beneath it.

- Angle the rail assembly so that it rests against the header bracket.

NOTE: If a door spring or other obstruction is in the way, have someone hold the garage door opener or help to balance it on a raised support while you position the rail assembly.

- Align the holes in the bracket with the holes in the rail assembly as shown.

- Insert large clevis pin and secure with hitch pin.

NOTE: The hitch pin should be installed into the first hole closest to the head of the pin.

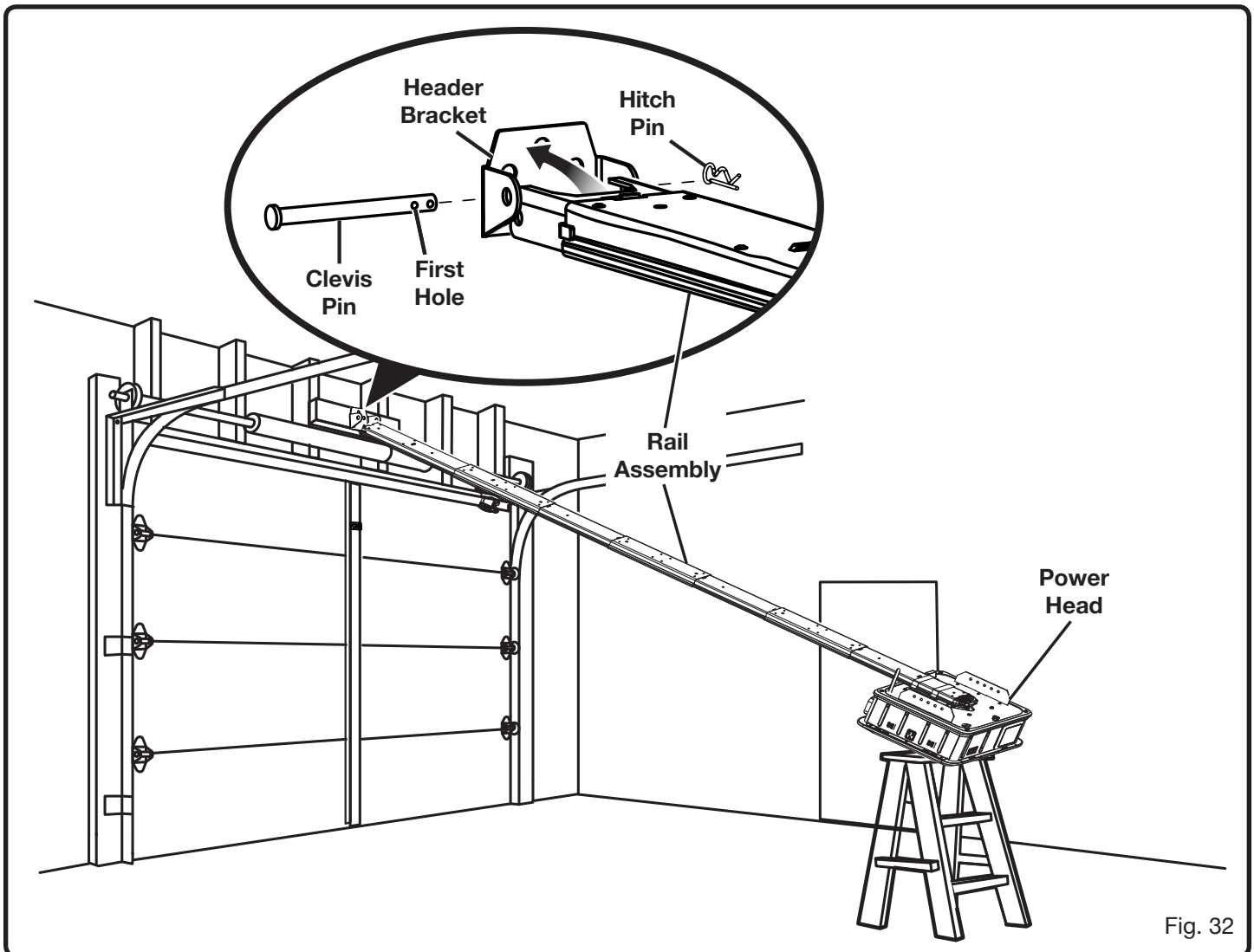


Fig. 32

INSTALLATION

MOUNTING THE POWER HEAD TO THE CEILING

See Figures 33 - 38.

⚠ WARNING:

Mount garage door opener to sound structural support on ceiling. NEVER mount the garage door to drywall or false ceiling grids. ALWAYS use concrete anchors when installing brackets into concrete, brick, or other masonry. Failure to properly mount the power head can cause it to fall and could result in death, serious personal injury, or property damage.

- Locate the following items:

Mounting Strap (2)

Bolt (7/16 in. x 3/4 in.) [6]

Washer (7/16 in.) [6]

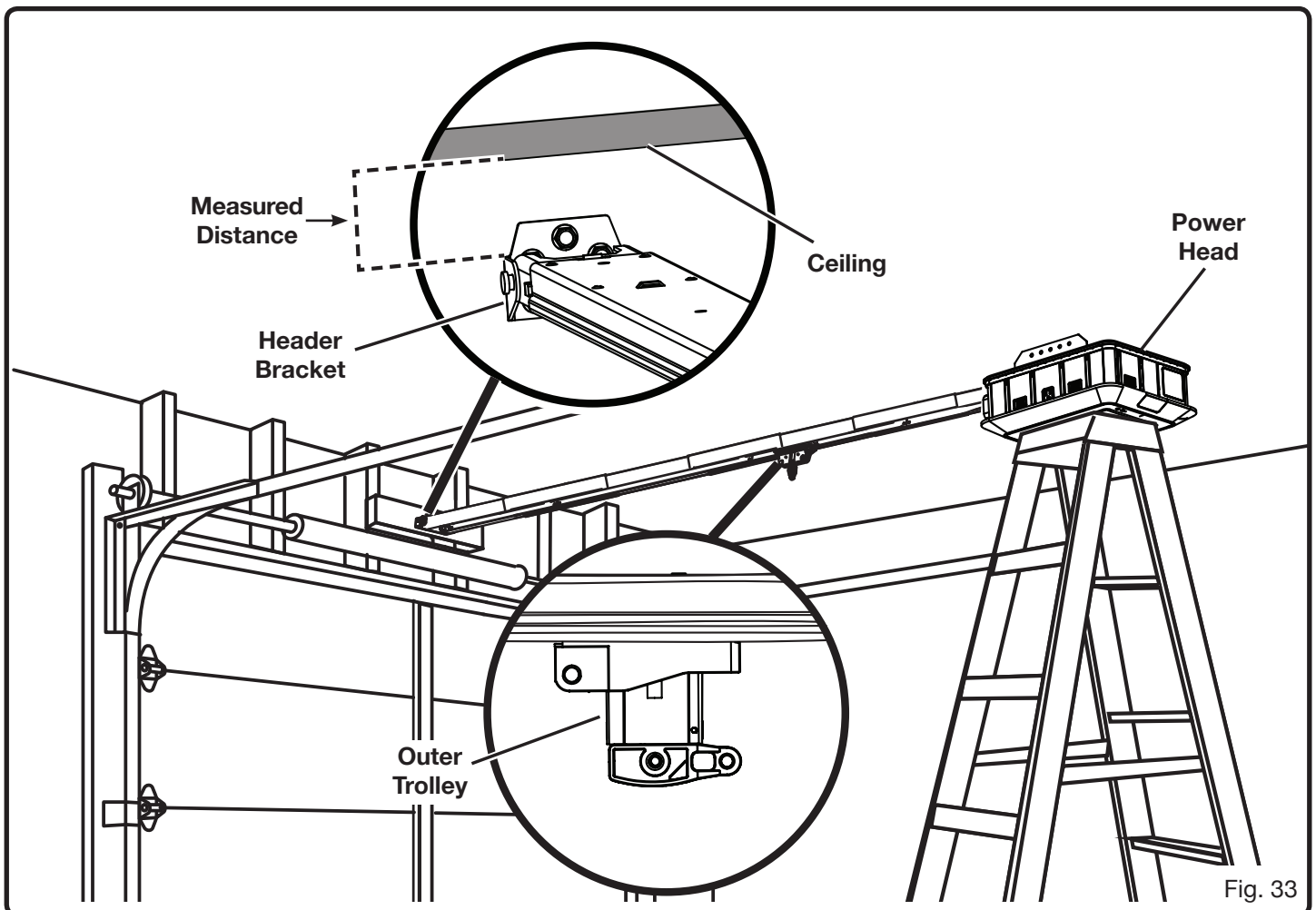
Nut (7/16 in.) [6]

- Lower the garage door completely.
- Measure the space between the header bracket and the ceiling.

NOTE: For unfinished ceilings, measure the space between the header bracket and the nearest joists on either side.

- Carefully lift the power head and place it on top of a ladder.
- Move the power head until it is aligned with the header bracket and the rail assembly is over the center line of the door.
- Pull the trolley release lever down and slide outer trolley completely toward the power head.

NOTE: The proper configuration and placement of brackets and mounting straps will vary based on the design and construction of your garage ceiling. Figures 34 - 38 are meant to serve as examples but your setup may vary.



INSTALLATION

To mount the power head to finished ceilings:

- Install center bracket or brackets (not supplied) to the nearest joists or other structural supports in garage ceiling using lag screws (not supplied).

- Using a hack saw, cut pieces of the mounting straps that are a half inch longer than the measured length between the header bracket and the ceiling.

NOTE: Mounting straps that will be attached diagonally should be cut longer than the vertical measured distance in figure 33.

- Connect straps to garage door opener and brackets using bolts, washers, and nuts. Tighten bolts and nuts with a 7/16 in. socket.

NOTE: Install straps and nuts on the inside of the brackets (facing the rail).

- Remove the ladder and raise the door. If there isn't enough clearance between the rail assembly and the door, move the header bracket up and repeat the steps above.

To mount the power head to unfinished ceilings:

- Using a hack saw, cut pieces of the mounting straps that are a half inch longer than the measured lengths between the header bracket and the nearest joists on either side.

NOTE: Mounting straps that will be attached diagonally should be cut longer than the vertical measured distance in figure 33.

- Connect straps to garage door opener and to the joists using bolts, washers, and nuts (see figure 38). Tighten bolts and nuts with a 7/16 in. socket.

NOTE: Install straps and nuts on the inside of the brackets (facing the rail).

- Remove the ladder and raise the door. If there isn't enough clearance between the rail assembly and the door, move the header bracket up and repeat the steps above.

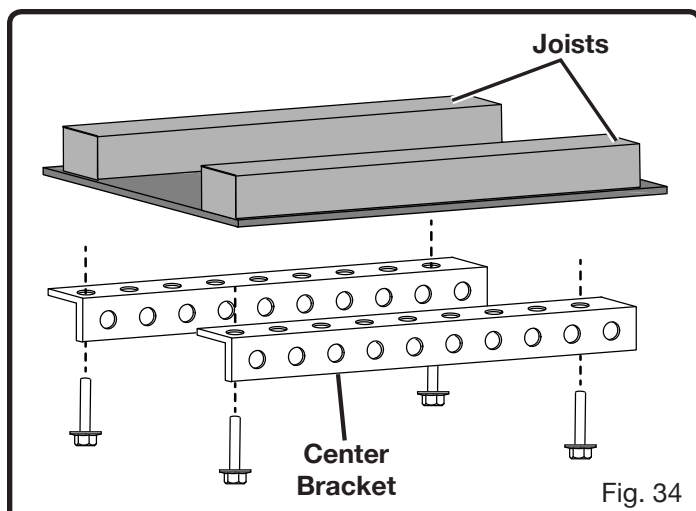


Fig. 34

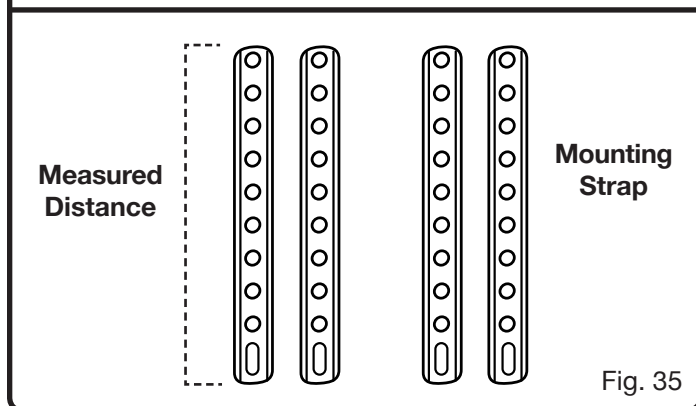


Fig. 35

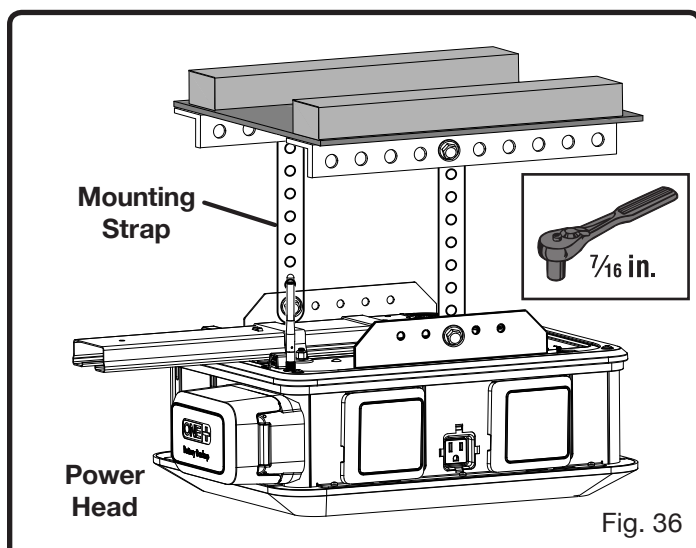


Fig. 36

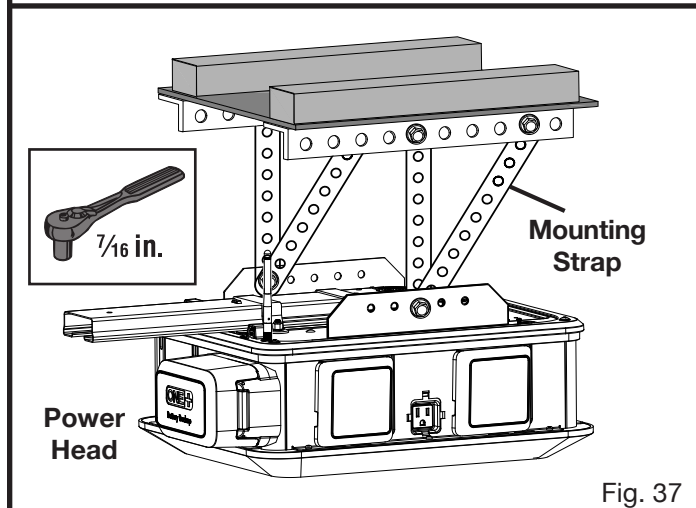


Fig. 37

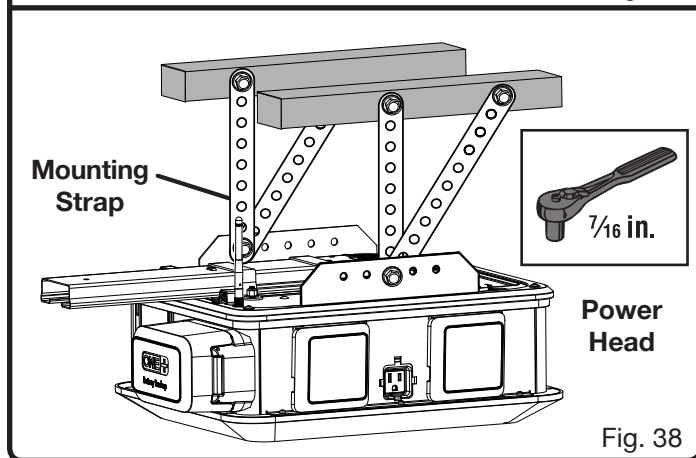


Fig. 38

INSTALLATION

POSITIONING THE RF ANTENNA

See Figure 39.

- Remove the tape securing the RF antenna.
- Carefully move the antenna so it hangs below the opener.

NOTE: If the RF antenna is not positioned below the opener, the signal reception between the opener and the outdoor keypad or car remotes may be weakened.

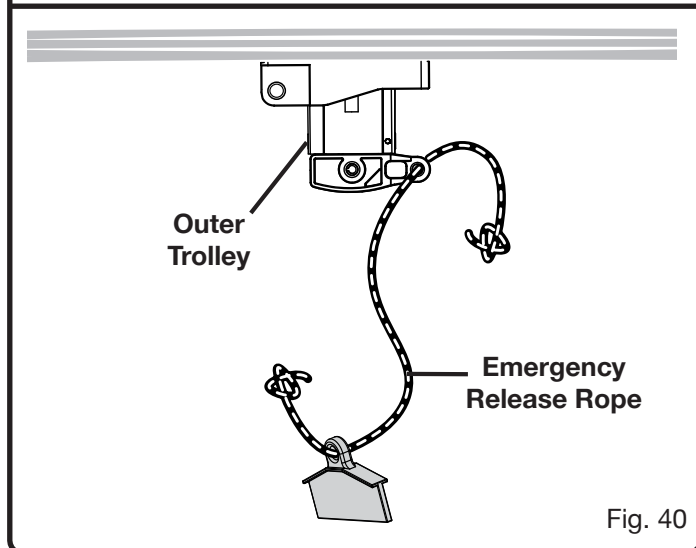
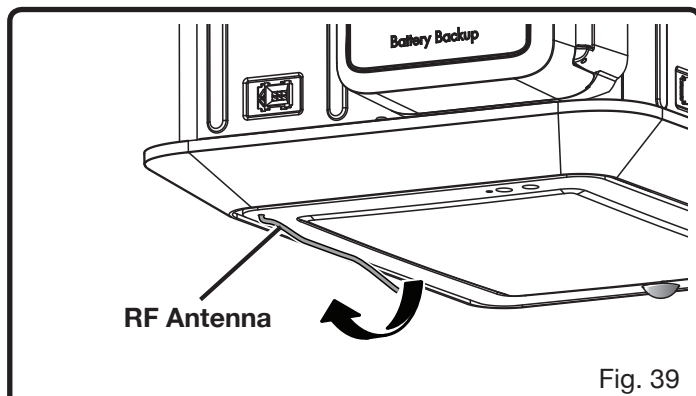
ATTACHING THE EMERGENCY RELEASE ROPE

See Figures 40.

⚠ WARNING:

Do not engage the emergency release while the garage door is open, do not use the emergency release rope to raise or lower the garage door, and only engage the emergency release when the door way is clear of all people, pets, and obstructions. Failure to properly engage the emergency release can result in death or serious personal injury resulting from a falling garage door.

- Locate the following item:
Emergency Release Rope



- Lower the garage door completely.
- Insert one end of the emergency release rope through the hole in the handle and tie a knot at the bottom.
- Insert the other end of the emergency release rope through the hole in the trolley release lever. Pull the rope up until it is approximately six feet above the garage floor, then tie a knot.

INSTALLING THE DOOR BRACKET

See Figures 41 - 44.

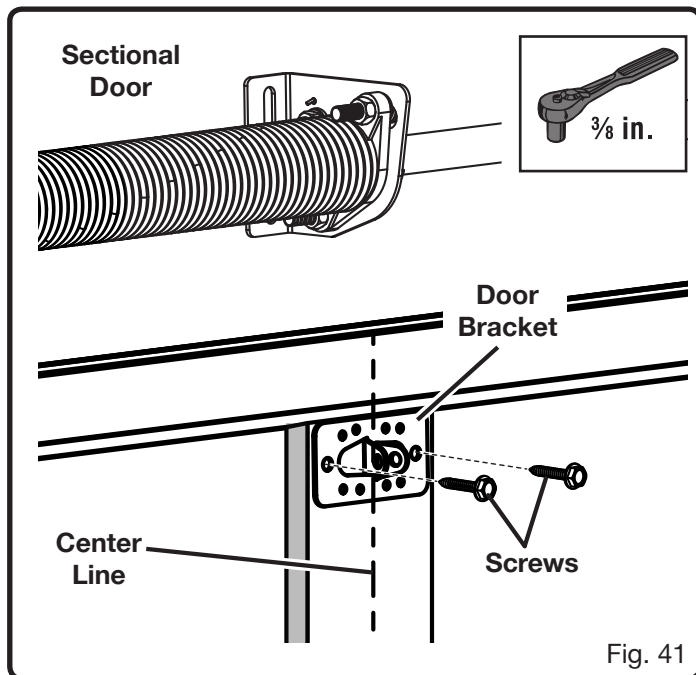
- Locate the following items:
Door Bracket
Self-tapping Screws (2)

NOTICE:

Before installing the door bracket, ensure that your door has proper horizontal and vertical support. Aluminum, fiberglass, and other light weight garage doors may require vertical or horizontal reinforcement. Check with your garage door manufacturer or installer for reinforcement instructions. Installing a garage door opener on a door that is not properly supported could damage the door and void the door warranty.

To install the bracket on sectional garage doors:

- Lower the garage door completely.
- Using a pencil and a level, draw a vertical line in the center of the top portion of the garage door.
- Center the bracket on the line and place it just below the top of the door or at the same approximate height as the top roller.



INSTALLATION

- Mark the middle holes on the left and right of the bracket.
- Secure the bracket in place by installing self-tapping screws in the center holes on the left and right sides of the bracket. Tighten screws with a 3/8 in. socket.

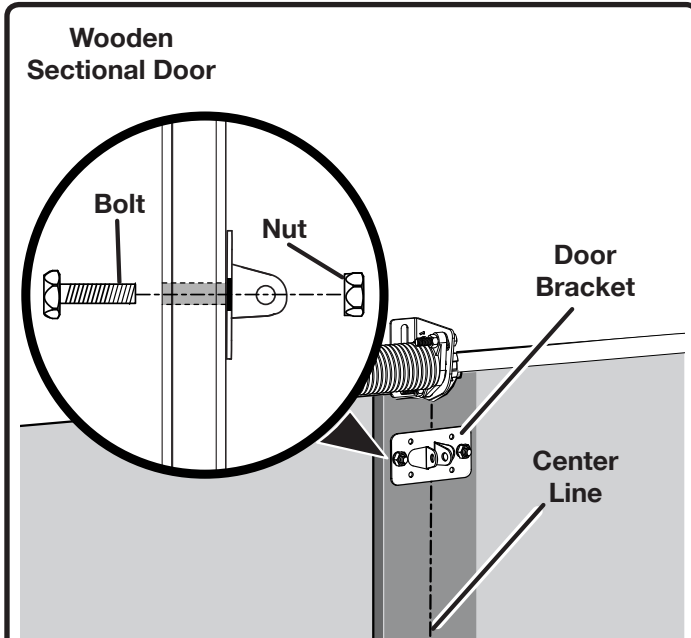


Fig. 42

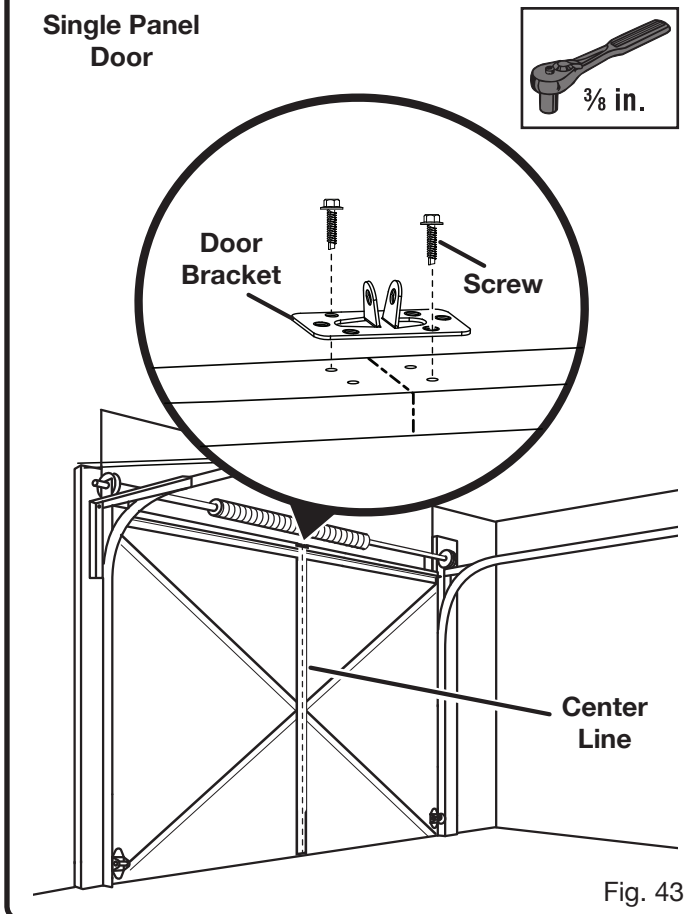


Fig. 43

NOTE: For wooden doors, drill hole completely through the door and install bracket using bolts (not provided) and nuts (not provided), see figure 42.

To install the bracket on single-panel doors:

- Lower the garage door completely.
- Using a pencil and a level, draw a vertical line in the center of the top portion of the garage door.
- Extend the line across the top edge of the door.
- Place the door bracket on the top edge of the door and center it on the line.

NOTE: The bracket can also be placed on the front upper portion of the door if necessary.

- Mark the holes in the bracket.
- Secure the bracket in place using screws. Tighten screws with a 3/8 in. socket.

NOTE: For wooden doors, drill hole completely through the door and install bracket using bolts (not provided) and nuts (not provided).

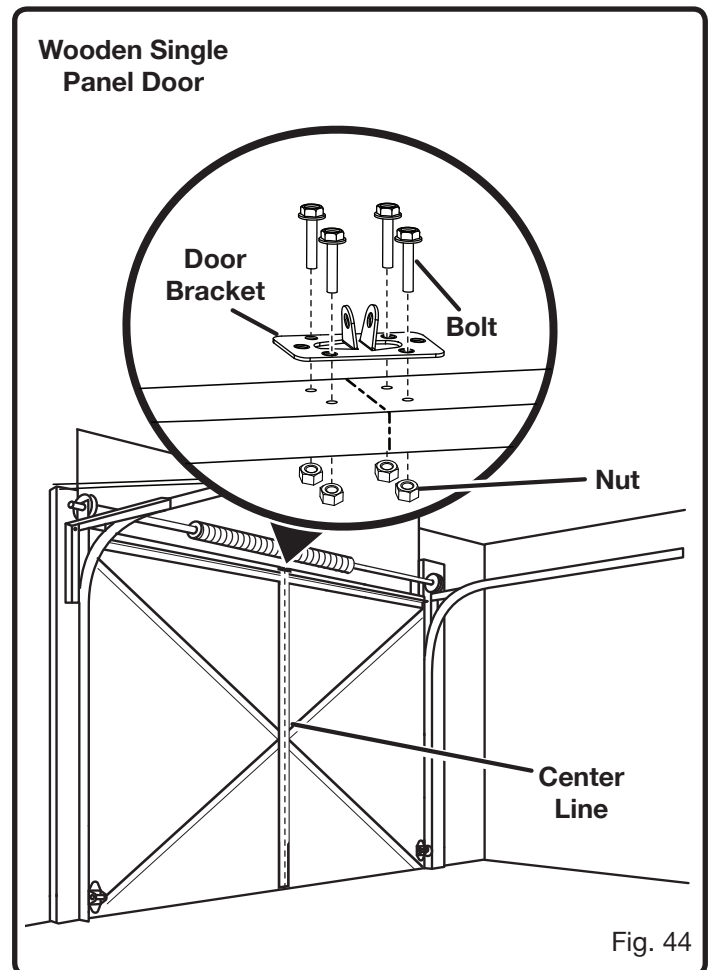


Fig. 44

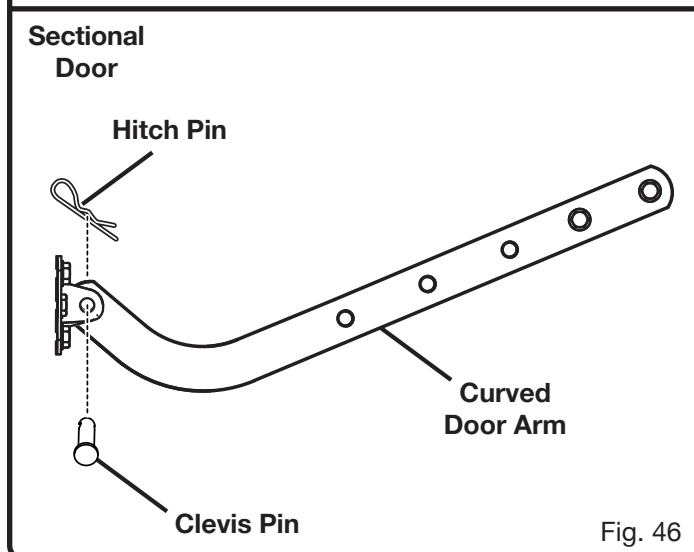
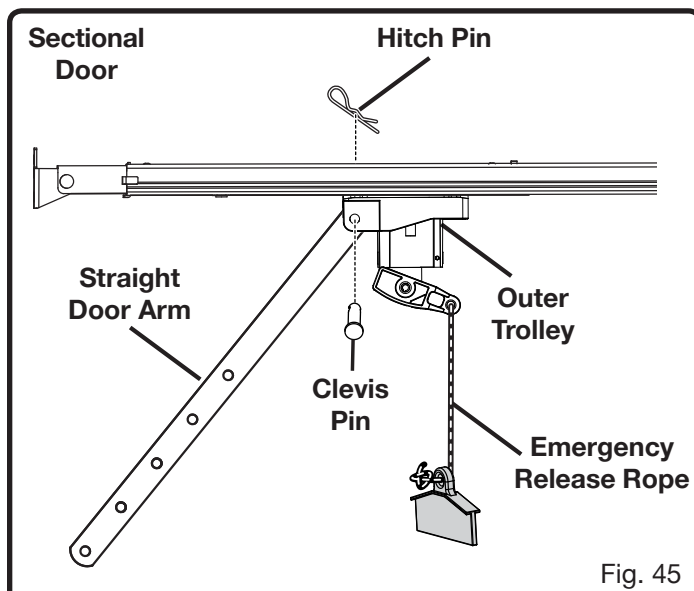
INSTALLATION

CONNECTING DOOR BRACKET TO OUTER TROLLEY

See Figures 45 - 50.

■ Locate the following items:

- Curved Door Arm
- Straight Door Arm
- Medium Clevis Pin
- Small Clevis Pin
- Hitch pins (2)
- Bolts (1/2 in. x 1 in.) [2]
- Lock Nuts (1/2 in.) [2]



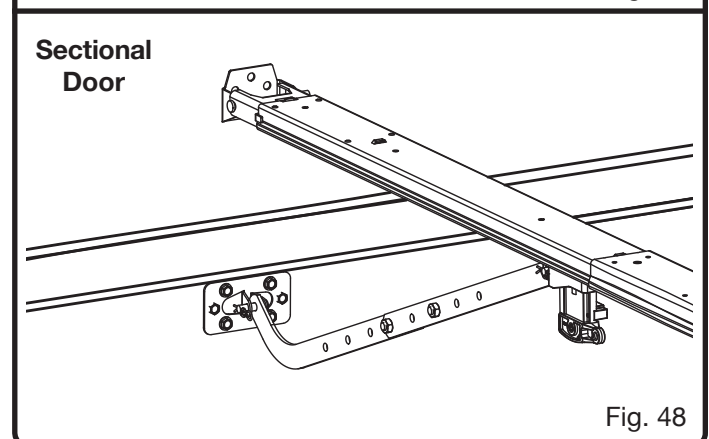
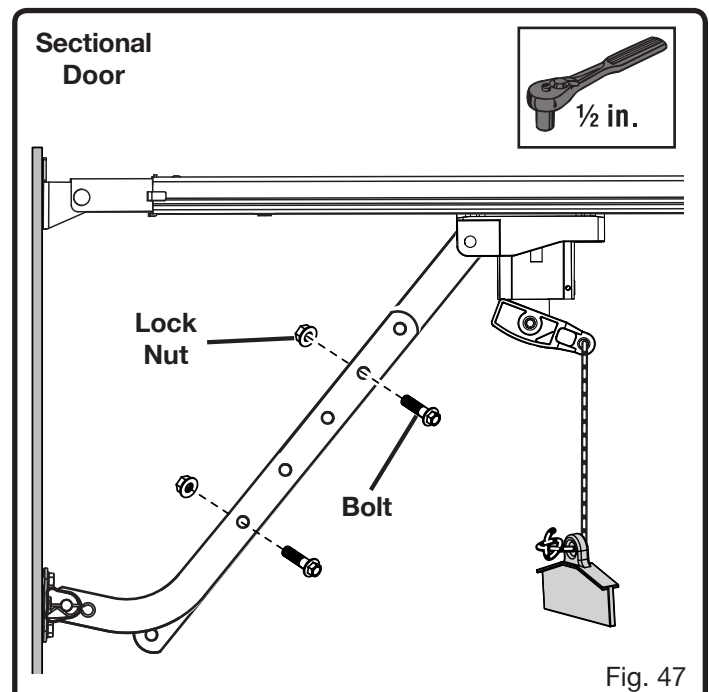
To connect sectional doors:

- Lower the garage door completely.
- Pull the emergency release rope down and slide outer trolley toward the garage door.
- Secure straight door arm to the rear of the outer trolley using medium clevis pin and hitch pin.
- Secure curved door arm to the door bracket using small clevis pin and hitch pin.
- Bring the curved and straight arms together. Choose two sets of aligned holes and install bolts and nuts. Tighten bolts and nuts with a 1/2 in. socket.

NOTE: For better rigidity, install fasteners in holes that are as far apart as possible.

NOTE: If the holes in the arm do not align, remove the straight door arm and reattach it in the reverse position.

- If the straight door arm hangs too low after assembly, you can shorten the length of the arm by cutting off up to 6 inches.



INSTALLATION

To connect single-panel doors:

- Lower the garage door completely.
- Pull the emergency release rope down and slide outer trolley toward the garage door.
- Place the curved and straight arms together and align the holes.
- Choose two sets of aligned holes and install bolts and nuts. Tighten bolts and nuts with a 1/2 in. socket.

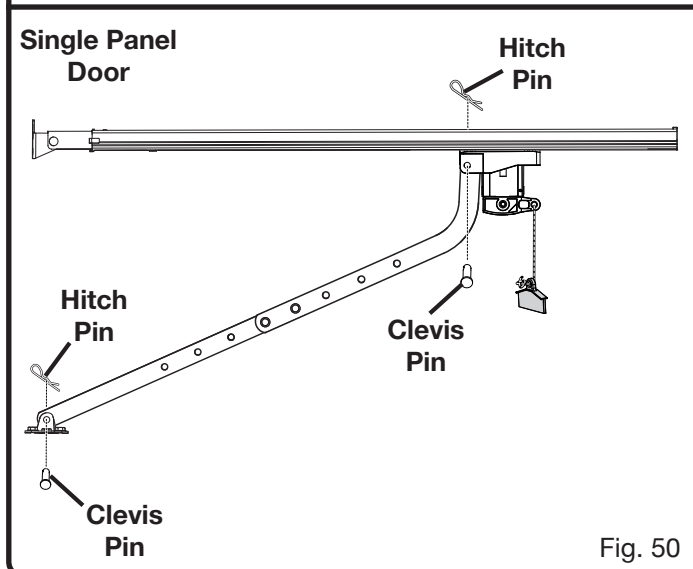
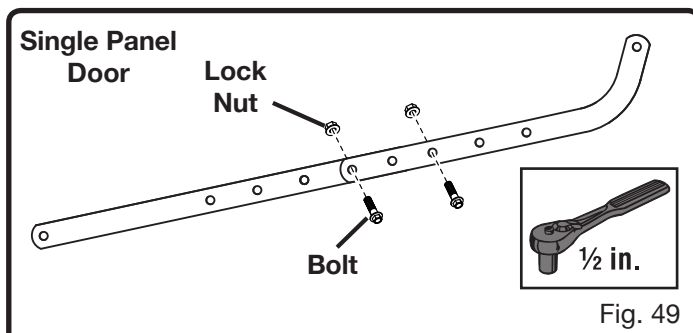
NOTE: For better rigidity, install fasteners in holes that are as far apart as possible.

- Secure straight door arm to the door bracket using small clevis pin and hitch pin.
- Secure curved door arm to the rear of the outer trolley using medium clevis pin and hitch pin.

INSTALLING THE SAFETY SENSORS

See Figures 51 - 56.

- Locate the following items:
 - Safety Sensors (2)
 - Insulated Staples (approx. 16)
 - Wing Nut (2)
 - Bracket (2)
 - Nail (2 in.) [2]
 - Lag Screw (7/16 in. x 1-1/2 in.) [2]



⚠ WARNING:

DO NOT operate the garage door opener unless the safety sensors are installed and working correctly. Failure to properly install and ensure that the safety sensors are working correctly can result in death or serious personal injury.

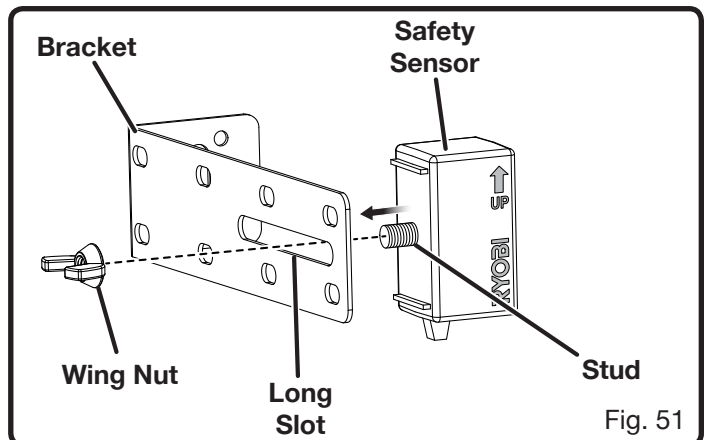
⚠ WARNING:

The top of the sensor should be between four and six inches above the floor. This will ensure that the door reverses should a child, pet, or small object move beneath the door as it lowers. Improper placement of the safety sensors can result in death or serious personal injury.

⚠ WARNING:

The effectiveness of the safety sensors included in this system directly relates to the placement and installation of the sensors. Incorrect placement or installation could prevent the sensors from working as intended and result in death or serious personal injury.

- Assemble the safety sensors by inserting the sensor stud through the long slot in the bracket and securing with a wing nut.
- Lower the garage door completely.
- Position both sensors on either side of the interior of the garage door and point the lenses toward each other. The arrow should be facing up.



INSTALLATION

NOTE: The top of the sensor should be between four and six inches above the floor.

NOTE: The receiving sensor has a green LED. Ensure that the lens on this sensor is not exposed to direct sunlight.

- Mark the position of the hole in the bracket.
- Secure brackets in place using nails or drill 3/16 in. pilot holes and secure with lag screws. Tighten screws with an 7/16 in. socket.

NOTE: Use lag screws and concrete anchors (not included) when installing the brackets into concrete, brick, or other masonry.

⚠ WARNING:

To avoid the risk of death, electric shock, or serious personal injury ensure that the garage door opener is unplugged and the battery pack is removed before wiring the sensors.

⚠ WARNING:

Connect the sensors using low voltage wires provided only to prevent the risk of electric shock or serious personal injury.

- Route the wires from the sensors to the door sensor wire terminals. Attach the wires to the wall and ceiling using the insulated staples. Secure the staples to the wall and ceiling using a hammer.
- Using wire strippers, strip 1/2 in. of insulation from the ends of each wire.
- To install or remove wires from a wire terminal, depress the tab beside the terminal.
- Twist the gray striped wires from both sensors together and insert them into the right door sensor terminal marked with G.

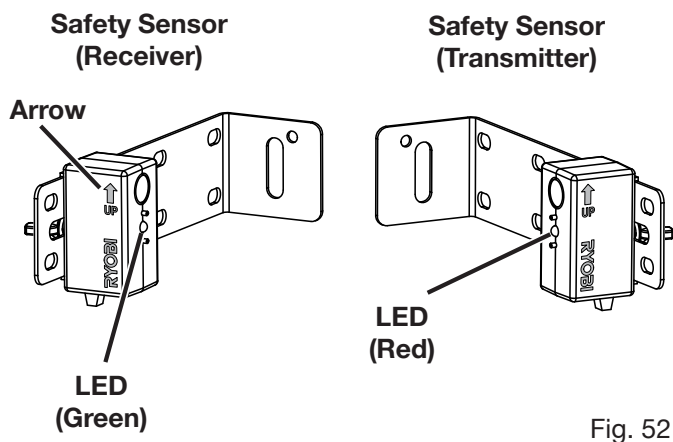


Fig. 52

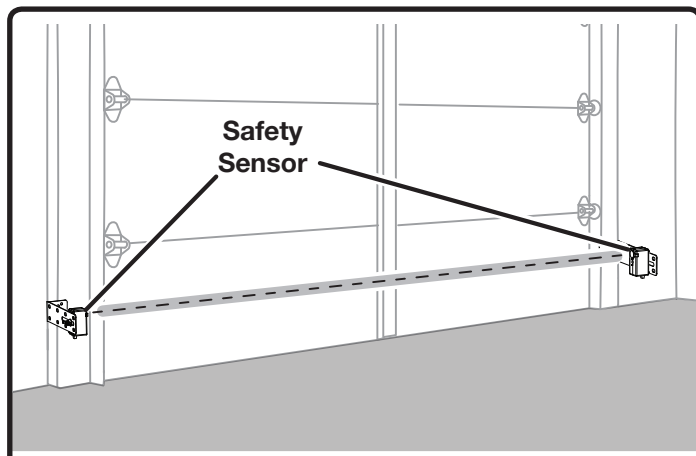


Fig. 54

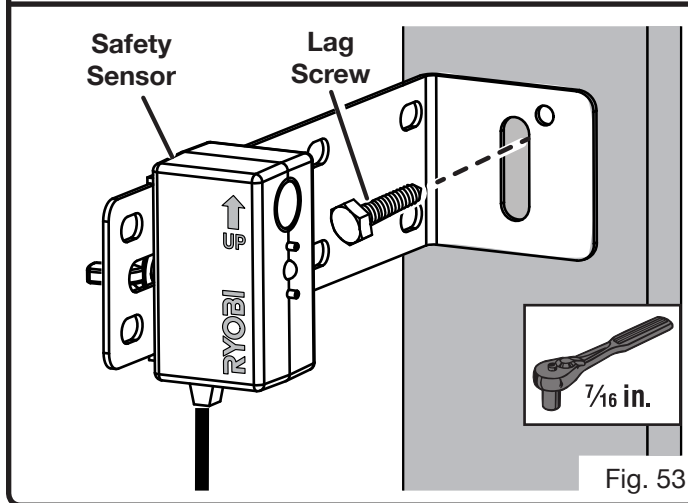


Fig. 53

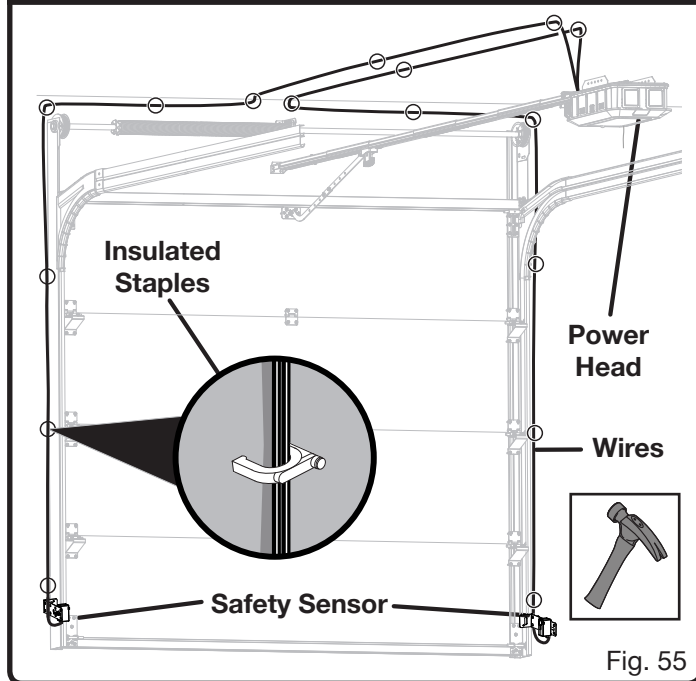
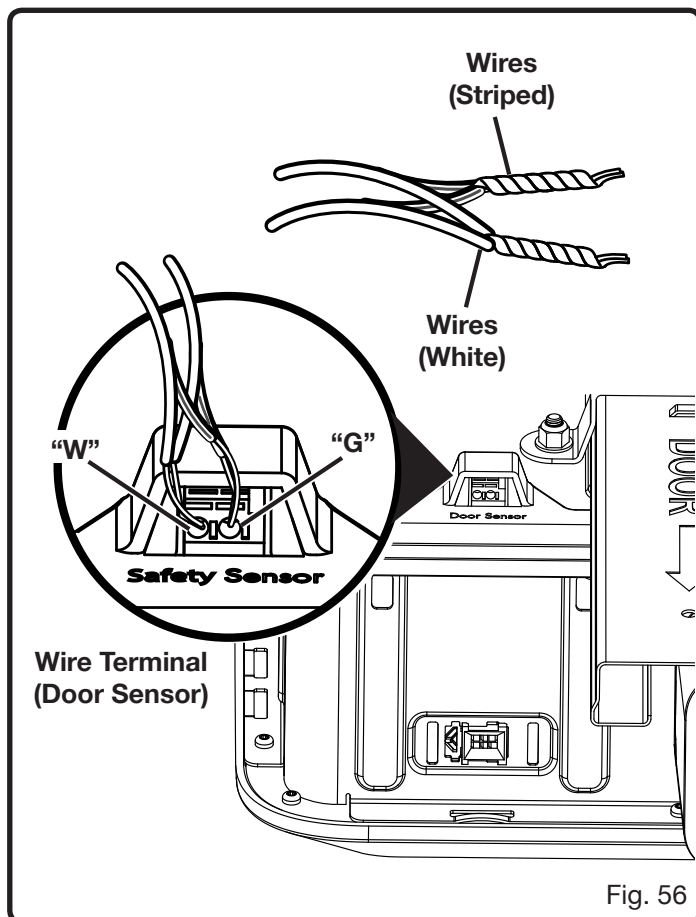


Fig. 55

INSTALLATION

- Twist the white wires from both sensors together and insert them into the left terminal marked with W.
- For alignment instructions, see **Aligning The Safety Sensors** later in this section.



⚠ WARNING:

Make sure the keypad is mounted high enough to prevent unauthorized activation of the garage door opener. It should be placed at least five feet above the floor so that it is inaccessible to children. Unauthorized activation of the opener can result in death or serious personal injury.

⚠ WARNING:

Do not start or stop the garage door opener if there is a person or object in the path of the door, the door has not been properly balanced, or if you cannot see the doorway. Failure to follow these instructions can result in death or serious personal injury.

⚠ WARNING:

To avoid the risk of death, electric shock, or serious personal injury ensure that the garage door opener is unplugged and the battery pack is removed before wiring the keypad.

⚠ WARNING:

Connect the keypad using low voltage wires provided only to prevent the risk of electric shock or serious personal injury.

INSTALLING THE INDOOR KEYPAD

See Figures 57 - 61.

- Locate the following items:

Indoor Keypad

Low Voltage Wire

Insulated Staples (approx. 14)

Entrapment Label

Screws (1 in., Phillips Hd.) [2]

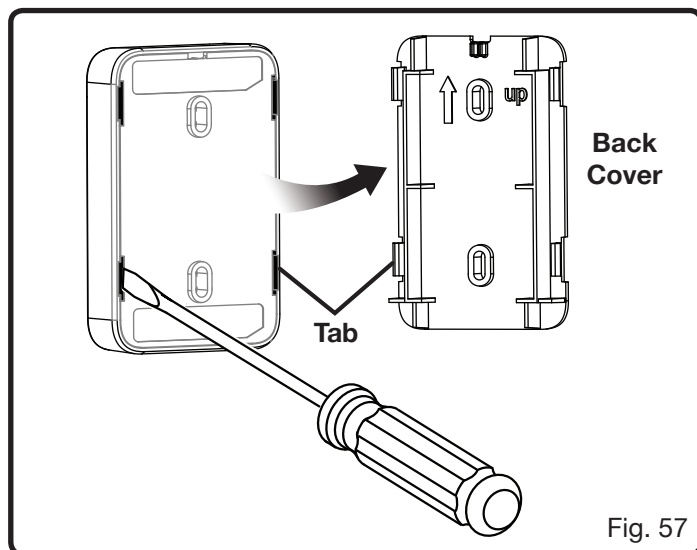
Drywall Anchors (2)

⚠ WARNING:

Do not use garage door opener if keypads or remotes do not start and stop the motor. An opener that cannot be controlled with a keypad or remote is dangerous, can result in death or serious personal injury, and must be repaired.

- Find desired location indoors and in sight of the garage door.

NOTE: The keypad should be at least five feet above the floor so it is inaccessible to children.



INSTALLATION

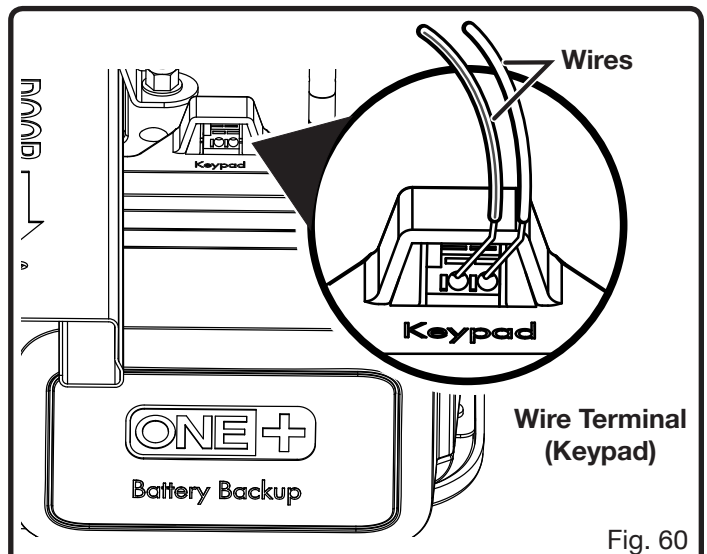
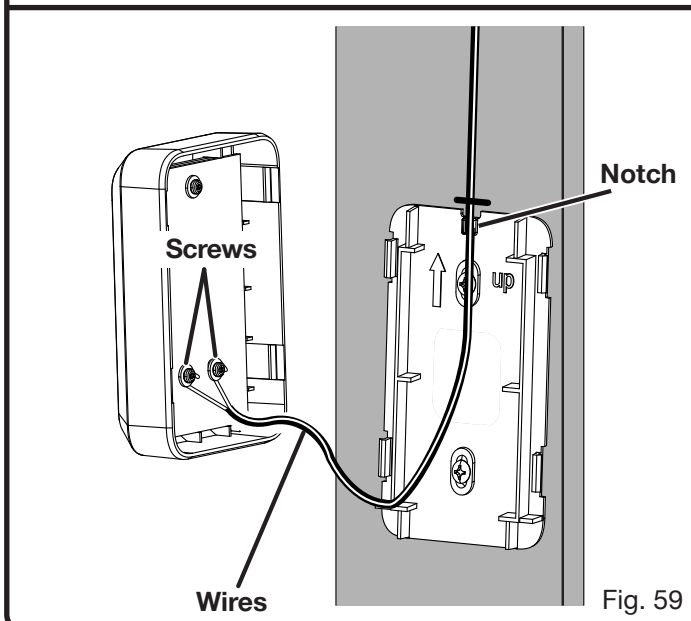
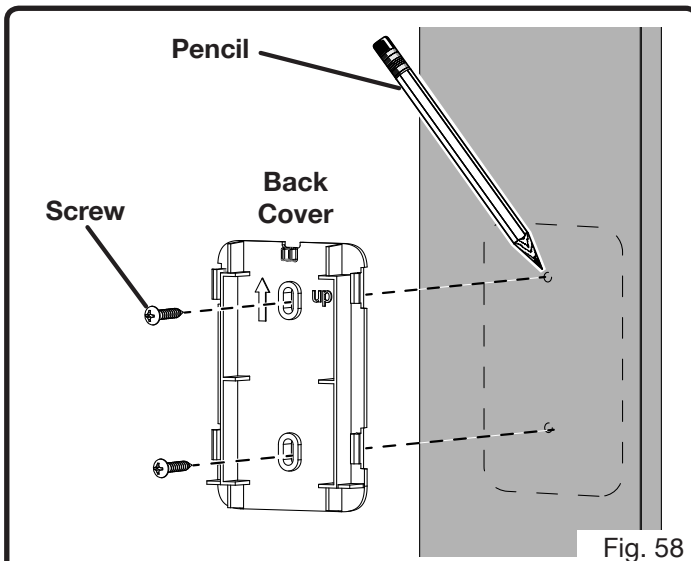
- Insert a flat head screwdriver into the tabs on the indoor keypad and remove the back cover.
- Hold the back cover against the wall. Use a pencil and a level to mark screw hole placement.
- Mount the back cover to the wall using screws. Install screws using Phillips screwdriver.
NOTE: Use screws and drywall anchors when installing the keypad into drywall.
- Fit the wires included with the indoor keypad into the notch on the back cover.
- Connect the keypad to the back cover. Be careful not to damage the wires.
- Route the wires from the keypad to the keypad wire terminals. Attach the wires to the wall and ceiling using the insulated staples.
- Insert the red striped wire from the keypad into the left keypad terminal marked with R.

- Insert the white wire into the right terminal marked with W.

⚠ WARNING:

Entrapment warning label contains important safety information. Install entrapment warning label next to the indoor keypad in a prominent location. Use insulated staples or other mechanical means if the label will not adhere to the wall.

- For details about using the indoor keypad, see **Using the Indoor Keypad** in the *Operations* section.



INSTALLATION

INSTALLING THE OUTDOOR KEYPAD

See Figures 62 - 64.

- Locate the following items:

Outdoor Keypad

Screws (1-1/2 in., Phillips Hd.) [2]

⚠ WARNING:

Do not use garage door opener if keypads or remotes do not start and stop the motor. An opener that cannot be controlled with a keypad or remote is dangerous, can result in death or serious personal injury, and must be repaired.

⚠ WARNING:

Make sure the keypad is mounted high enough to prevent unauthorized activation of the garage door opener. It should be placed at least five feet above the floor so that it is inaccessible to children. Unauthorized activation of the opener can result in death or serious personal injury.

⚠ WARNING:

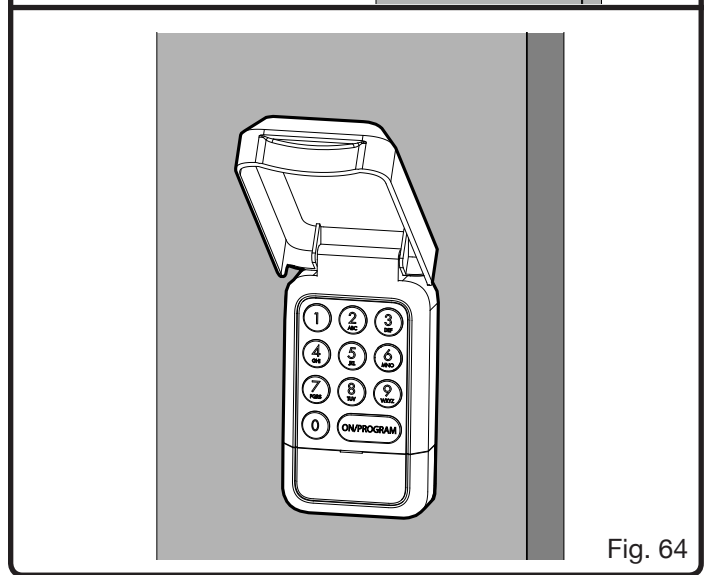
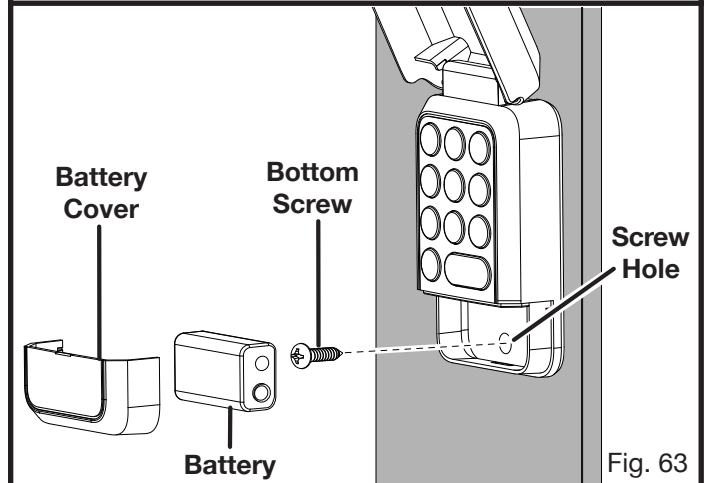
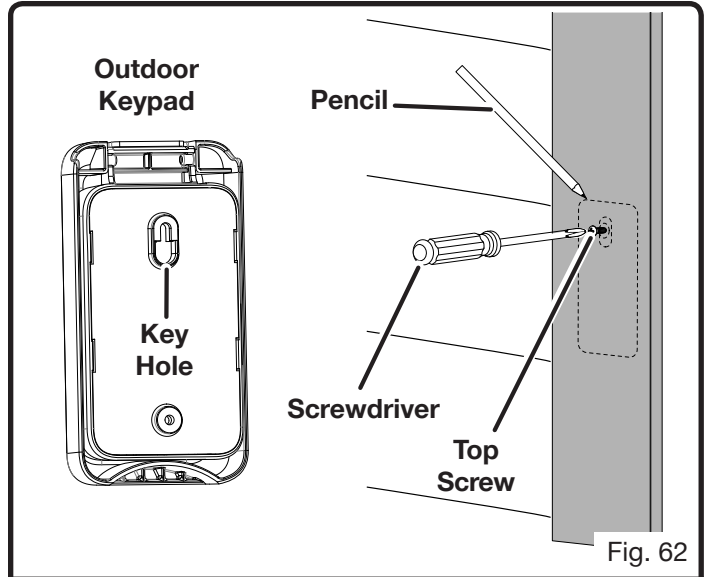
Do not start or stop the garage door opener if there is a person or object in the path of the door, the door has not been properly balanced, or if you cannot see the doorway. Failure to follow these instructions can result in death or serious personal injury.

NOTE: Program the outdoor keypad and ensure that it will operate the garage door opener from your desired location prior to installing it. See **Programming the Outdoor Keypad** in the *Operations* section.

- Find desired location outdoors and in sight of the garage door.

NOTE: The keypad should be at least five feet above the floor so it is inaccessible to children.

- Use a pencil to mark screw hole placement and install top screw.
- Place the wide portion of the key hole over the head of the top screw.
- Slide the keypad down until the top screw is inside the narrow portion of the key hole.
- Remove the battery cover and 9-volt battery.
- Use a level to be sure the keypad is in a vertical position, then install bottom screw into the screw hole.
- Install 9-volt battery.



- Replace battery cover.
- For programming instructions, see **Programming the Outdoor Keypad** in the *Operations* section.

INSTALLATION

ALIGNING THE SAFETY SENSORS

See Figures 65 - 66.

⚠ WARNING:

DO NOT operate the garage door opener unless the safety sensors are installed and working correctly. Failure to properly install and ensure that the safety sensors are working correctly can result in death or serious personal injury.

⚠ WARNING:

The effectiveness of the safety sensors included in this system directly relates to the placement and installation of the sensors. Incorrect placement or installation could prevent the sensors from working as intended and result in death or serious personal injury.

NOTICE:

The garage door will not close unless the safety sensors are installed, wired, and aligned correctly.

NOTICE:

This task requires the garage door opener to be connected to a power source.

- Install and wire the safety sensors as described earlier in the manual.
- Connect the garage door opener to an AC power supply.
NOTE: Make sure the power supply is normal household voltage, 120 volts, AC only, 60 Hz
- If wired correctly, the LED lights on both sensors should shine continuously. If one or both LEDs do not come on, unplug the garage door opener and ensure that the sensors are wired correctly. If problem persists, refer to the **Safety Sensor Diagnostic Feedback** chart later in the manual.
- If the LED lights on both sensors shine continuously, then the sensors are aligned and no adjustments are needed.
- If the red LED light is ON and the green LED light is blinking, then something may be interfering with the receiving sensor. The most common cause of interference is direct sunlight. If necessary, remove the fasteners securing the sensor and move it away from the garage door opening to avoid sunlight.
- If the red LED light is ON and the green LED light is off, then the sensors may need to be aligned.

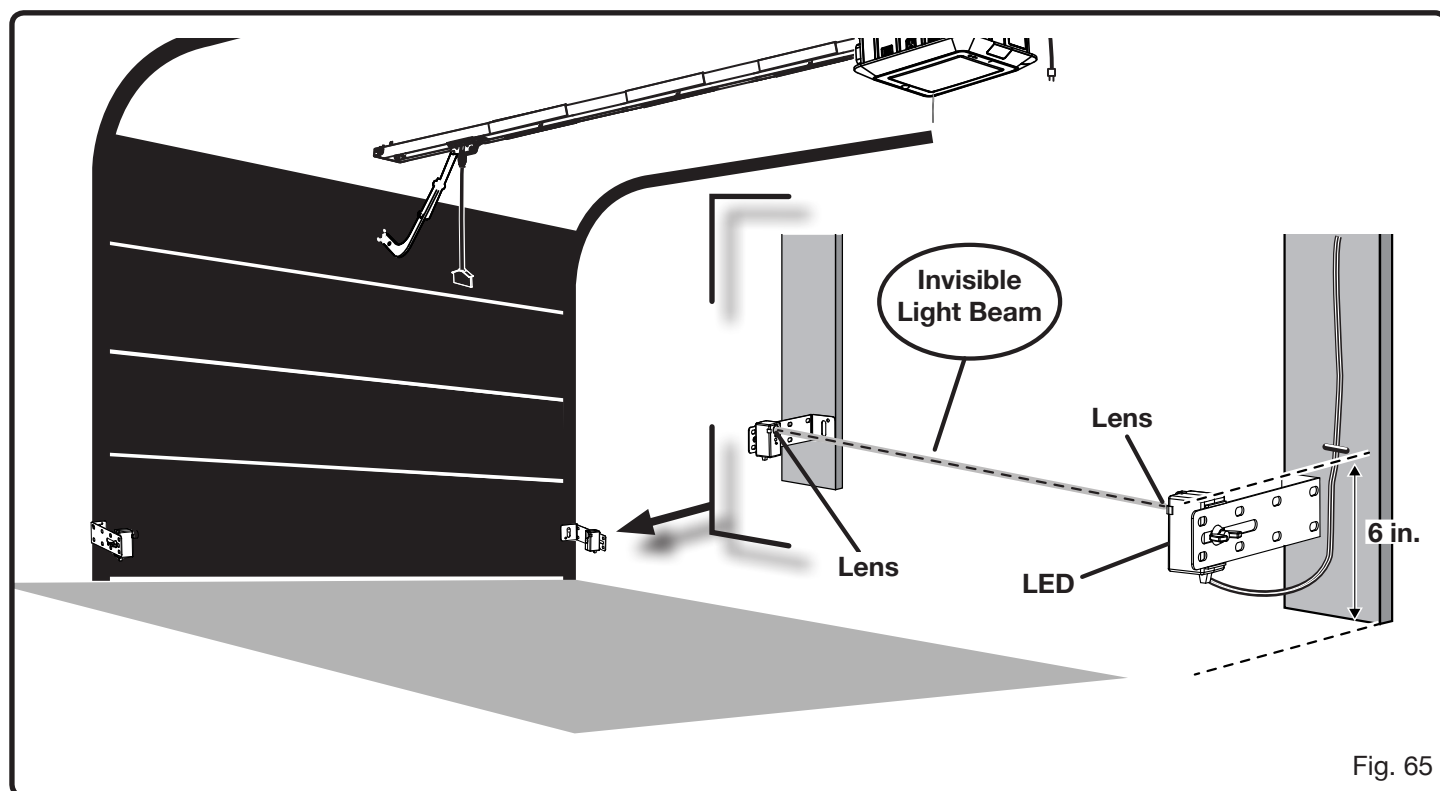


Fig. 65

INSTALLATION

- **To align the safety sensors:** loosen, but do not remove, the fasteners securing the sensors in place and adjust the position of the sensors until the lens on the transmitter and receiver are directly facing one another.
- After the sensors have been aligned, retighten fasteners.
- When the sensor lenses are in the correct position, the invisible light beam emitted by the transmitter will be captured by the receiver and the LEDs will shine continuously.

NOTE: If an object crosses the path of the beam, an open garage door will not close and a closing garage door should stop and reverse to the fully open position.

Aligning the safety sensors for multiple doors:

When multiple garage door openers are installed, extra care must be taken to prevent misalignment and crossed signals between each set of sensors.

- Where possible, install transmitting safety sensors on an adjacent surface facing away from each other and toward the receivers.
- Connect the garage door opener to an AC power supply.

NOTE: Make sure the power supply is normal household voltage, 120 volts, AC only, 60 Hz

- Align each set of sensors as described earlier.

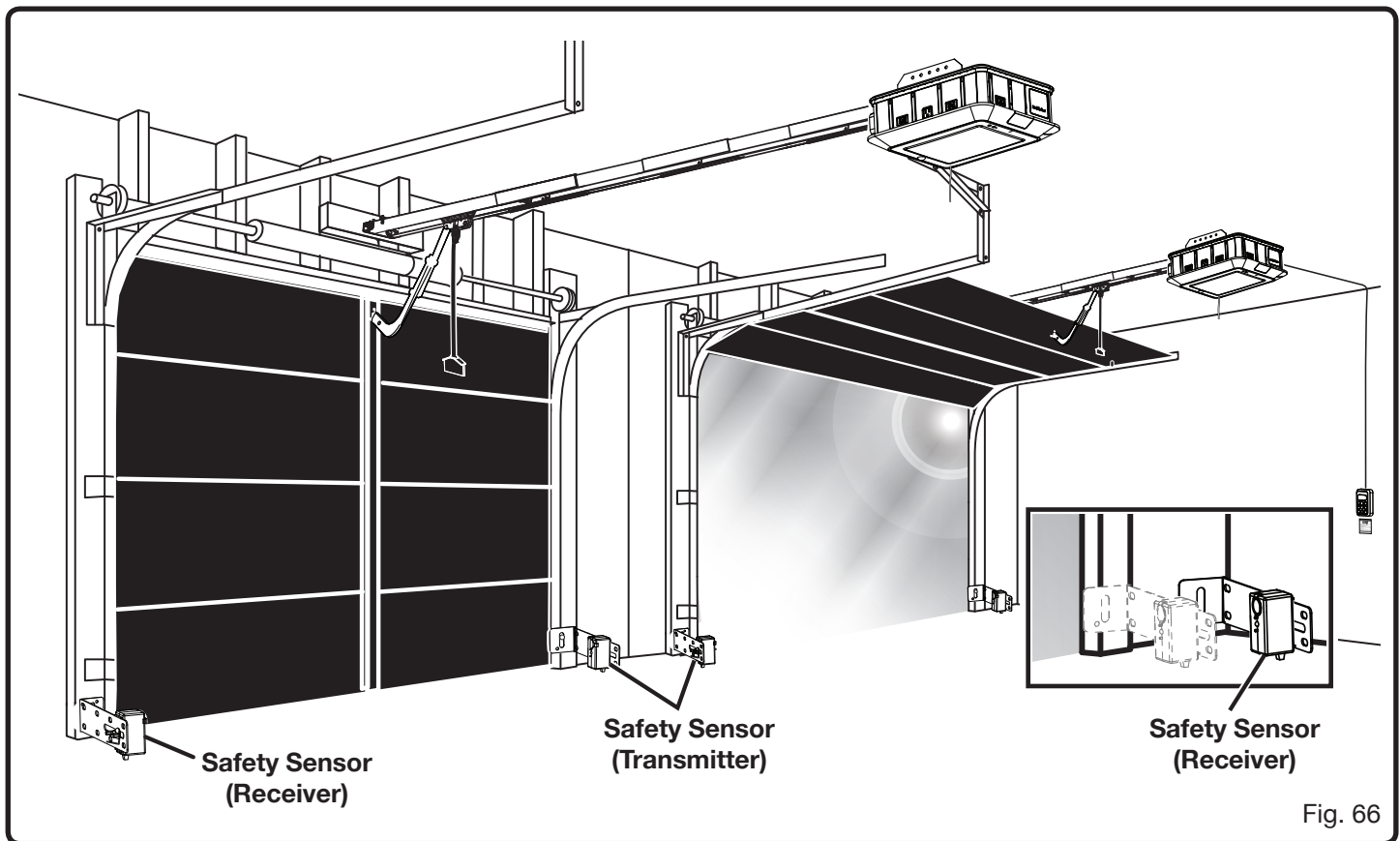


Fig. 66

INSTALLATION

SAFETY SENSOR DIAGNOSTIC FEEDBACK

LED FUNCTIONS			
RED LED (TRANSMITTER)	GREEN LED (RECEIVER)	PROBLEM	SOLUTION
ON	ON	No problem indicated	No action required
OFF	OFF	Power head is unplugged or the battery is depleted Wires from power head may be damaged Wires not connected Wires connected to the wrong terminal One or both sensors are defective	Connect to power supply or charge the battery pack Replace damaged or broken wires Connect wires to power head Connect wires to the correct terminal Contact customer service for assistance
OFF	ON	One or both sensors are defective	Contact customer service for assistance
ON	OFF	The safety sensors are out of alignment The safety sensors are obstructed One or both sensors are defective Safety sensor (transmitter) is not sending beam	Align the safety sensors Remove all objects between the safety sensors Contact customer service for assistance Contact customer service for assistance
ON	BLINKING	Safety sensor (receiver) is in direct sunlight One or both sensors are defective	Change the position of the sensor (receiver) or reverse the positions of both sensors. (See figure 66.) Contact customer service for assistance

INSTALLATION

SETTING THE DOOR TRAVEL LIMITS

See Figures 67 - 74.

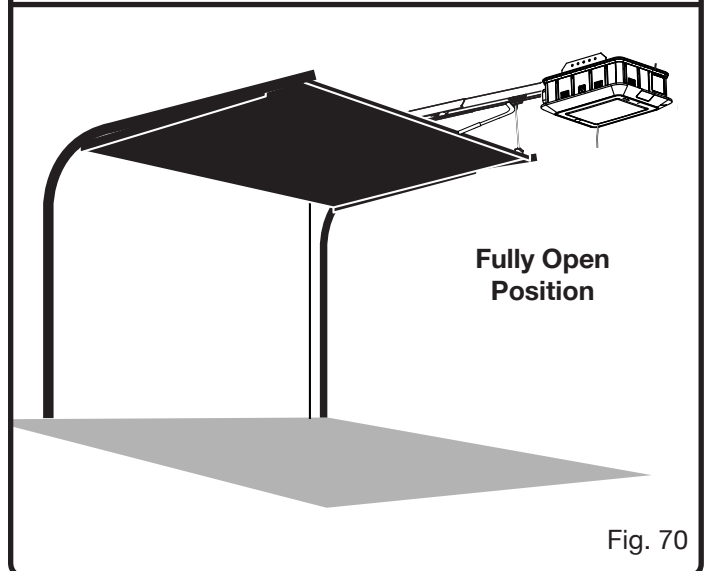
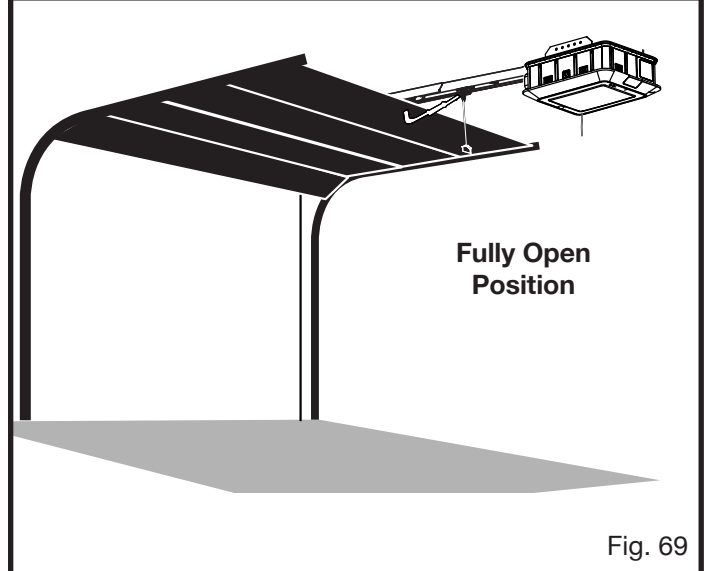
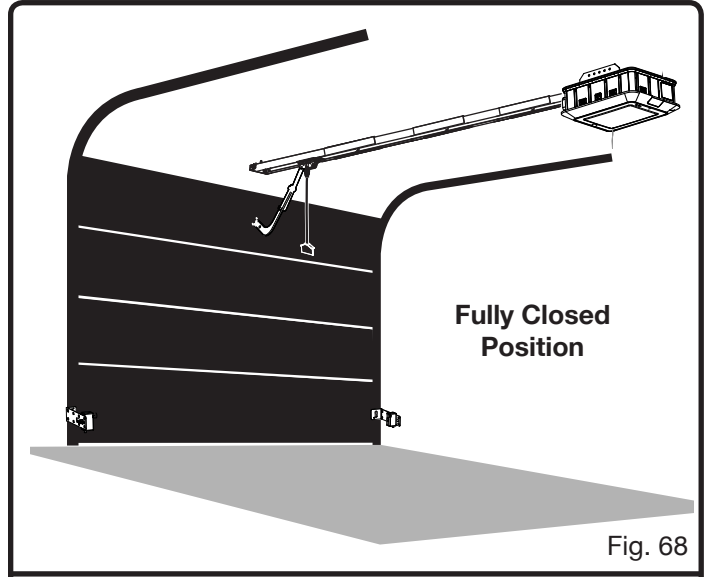
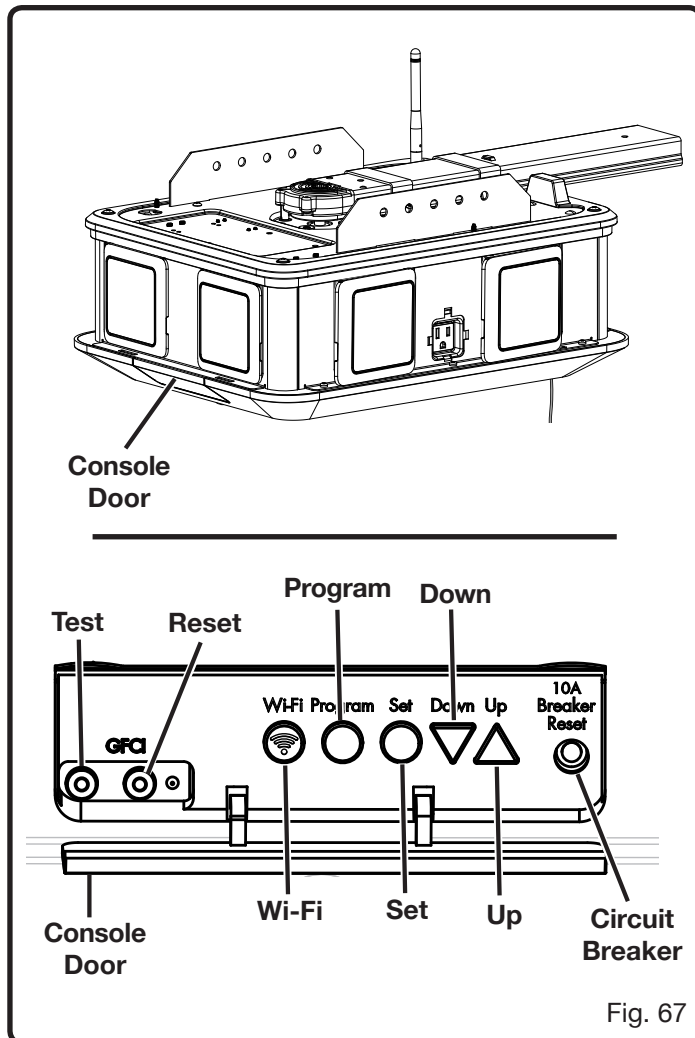
⚠ DANGER:

Ensure that the safety sensors are installed and working properly. Without the proper safety devices in place, a closing garage door could kill or seriously injure someone in its path.

NOTICE:

This task requires the garage door opener to be connected to a power source.

The console on your garage door opener makes it easy to set the open and close positions of your door. The opener will automatically sense the weight of your door and provide the force required to open and close it.



INSTALLATION

When a garage door is fully closed, there shouldn't be any space between the door and the garage floor. When a door is fully open, it should provide enough clearance for vehicles to travel safely underneath it. Use caution when setting the open position for single-panel garage doors. If a single-panel door is opened so far that it begins to slant backwards, excessive bouncing and jerking may occur as the door moves, see figure 71.

NOTICE:

Do not open or close the garage door using the indoor keypad or remotes until the travel limits have been properly set. Doing so could cause severe damage to the garage door or the garage door opener.

- Connect the garage door opener to an AC power supply.

NOTE: Make sure the power supply is normal household voltage, 120 volts, AC only, 60 Hz

Before setting the travel limit:

- Pull the emergency release rope down and manually open the garage door until the outer trolley engages the inner trolley.

WARNING:

Confirm that the inner trolley is in the orientation shown in Figure 72. An incorrectly installed Inner Trolley could result in the garage door opener operating in the opposite direction from its intended movement and result in death or serious personal injury from the moving garage door.

Once you begin setting the travel limits, you have two minutes to complete each step. If a step is not completed within two minutes, travel limit information for the open and closed position will be erased.

To set the travel limit for the open position:

- Open the console door.
- Press and hold the **UP** button for three seconds. After you release the button, it will begin blinking and continue blinking until the travel limit has been set.
- Press and hold the **UP** button to move the garage door to the open position.
- For fine adjustments, press and release the **UP** or **DOWN** buttons.
- Once the door is in the open position, press the **SET** button to store the travel limit. Once the travel limit is stored, the **UP** button will stop blinking and shine continuously.

NOTE: If the safety sensors are obstructed during this process, travel limit information for the open and closed position will be erased.

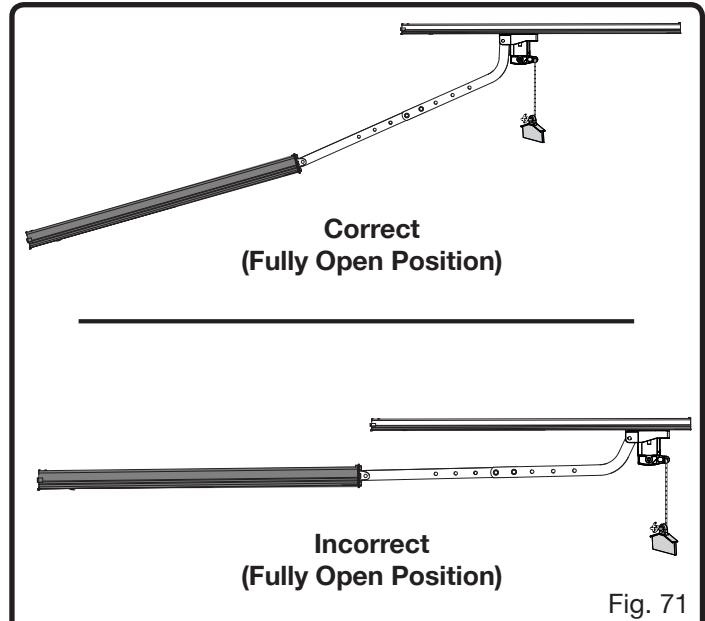


Fig. 71

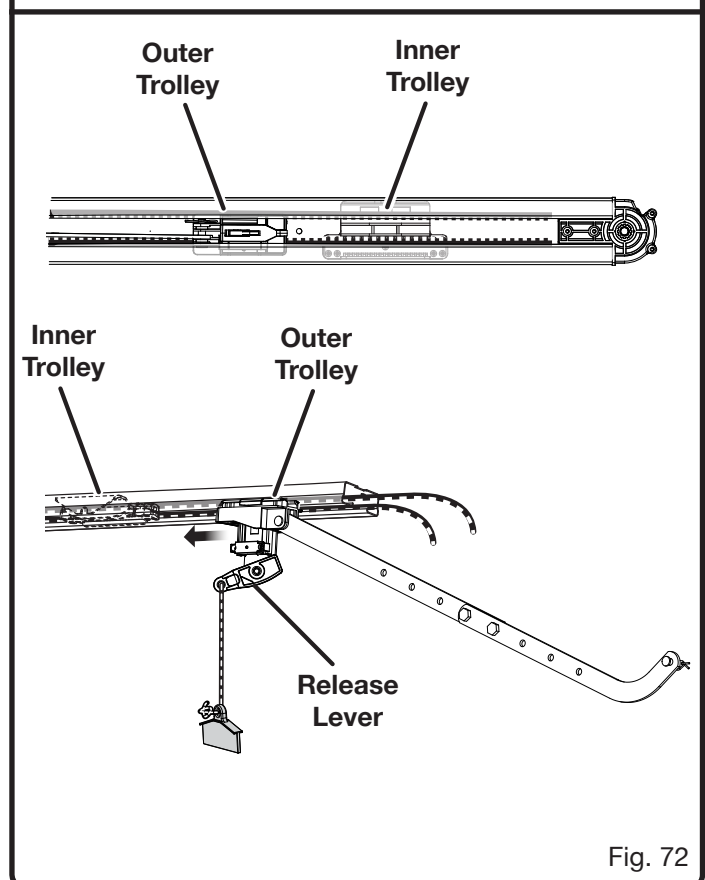


Fig. 72

INSTALLATION

⚠ WARNING:

If you are not able to first set the travel limit for the open position, do not skip ahead and attempt to set the travel limit for the closed position. If the travel limits do not set and the door does not move in the intended direction as described in this section of the Operator's Manual, do not use the garage door opener and contact customer service or a qualified service person for assistance. The use of a garage door opener that is not operating the garage door in the correct direction can kill or seriously injure someone in the moving door's path.

To set the travel limit for the closed position:

- Press and hold the **DOWN** button for three seconds. After you release the button, it will begin blinking and continue blinking until the travel limit has been set.
- Press and hold the **DOWN** button to move the garage door to the closed position.
- For fine adjustments, press and release the **UP** or **DOWN** buttons.
- Once the door is in the closed position, press the **SET** button to program the travel limit. Once the travel limit is set, the **DOWN** button will stop blinking and shine continuously.

NOTE: If the safety sensors are obstructed during this process, travel limit information for the open and closed position will be erased.

To test the travel limits:

NOTE: The garage door opener will not respond to the remotes or keypads until the travel limits have been tested.

- Press and release the **UP** button and ensure that the door moves to the programmed open position. The button will blink as the door moves then shine continuously once the door is in the open position.
- Press and release the **DOWN** button to ensure that the door moves to the programmed down position. The button will blink as the door moves then shine continuously once the door is in the down position.

NOTE: After testing is complete, the light for both the **UP** and **DOWN** buttons will turn off.

- If the travel limits were set incorrectly, they can be cleared by pressing and holding the **UP** button for three seconds.

If a buzzer sounds while you are setting or testing the travel limits, the garage door opener has detected a problem. Travel limit information for the open and closed position will be erased and cannot be reset until the problem is resolved. For details, refer to the *Troubleshooting* section later in the manual.

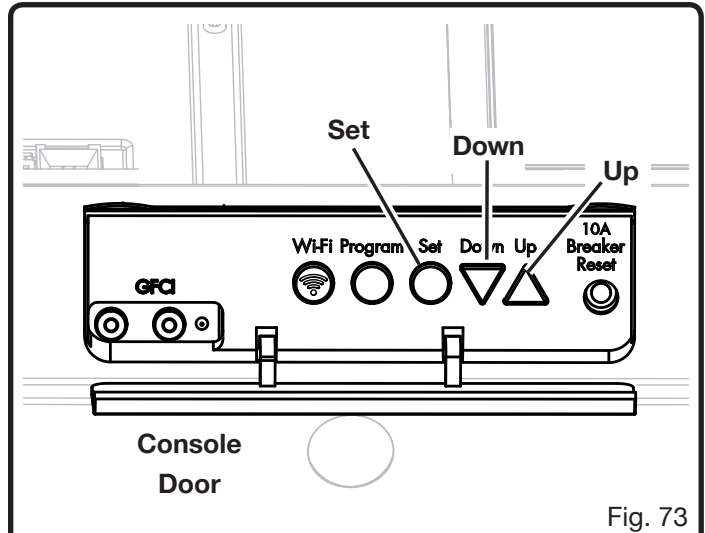


Fig. 73

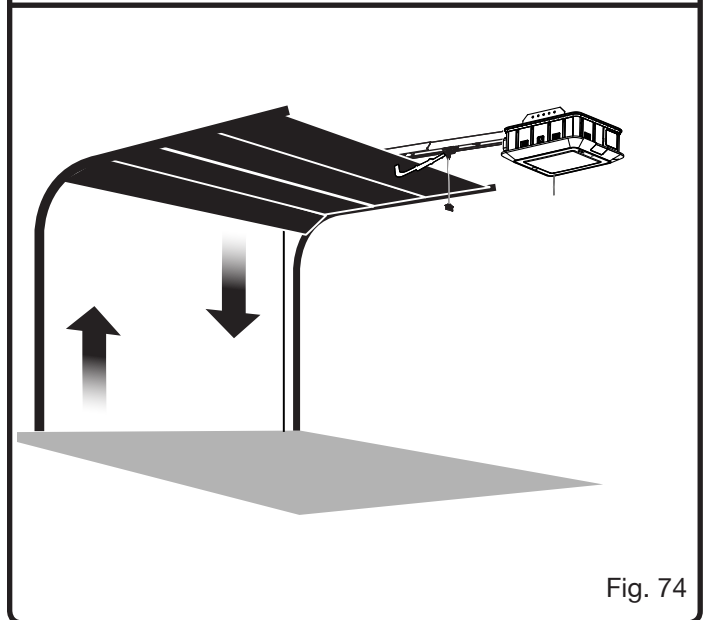


Fig. 74

TESTING THE AUTOMATIC REVERSAL SYSTEM

See Figure 75.

⚠ DANGER:

Test the automatic reversal system after installation, prior to first use, every month and after any adjustments are made to the garage door travel limits. If the door contacts an object higher than 1-1/2 in. off the garage floor (approx. the size of a 2x4 laid flat), it should stop and reverse to the fully open position. If the automatic reversal system does not function properly, a closing garage door could kill or seriously injure someone in its path.

INSTALLATION

⚠ WARNING:

DO NOT operate the garage door opener unless the automatic reversal system is working correctly. Following this rule will reduce the risk of death or serious personal injury.

NOTICE:

This task requires the garage door opener to be connected to a power source.

- Install and wire the indoor keypad as described earlier in the *Installation* section.
- Connect the garage door opener to an AC power supply.

NOTE: Make sure the power supply is normal household voltage, 120 volts, AC only, 60 Hz

- Press and release the **UP/DOWN** button on the indoor keypad to raise the garage door.
- Place a 1-1/2 in. board (approx. the size of a 2x4 laid flat) on the garage floor beneath the door.
- Press and release the **UP/DOWN** button on the indoor keypad to lower the garage door. When the door strikes the board, it should reverse direction immediately.

NOTE: After the door contacts the board, a buzzer will sound five times and the garage door opener's LED lights blink five times.

- If the garage door reverses direction after contacting the board, the reversal system is working properly and no adjustments are needed.
- If the garage door stops before striking the board or strikes the board and then stops, increase the travel limit for the closed position and repeat the test.
- If the automatic reversal system continues to fail, contact customer service or a qualified service person for assistance.

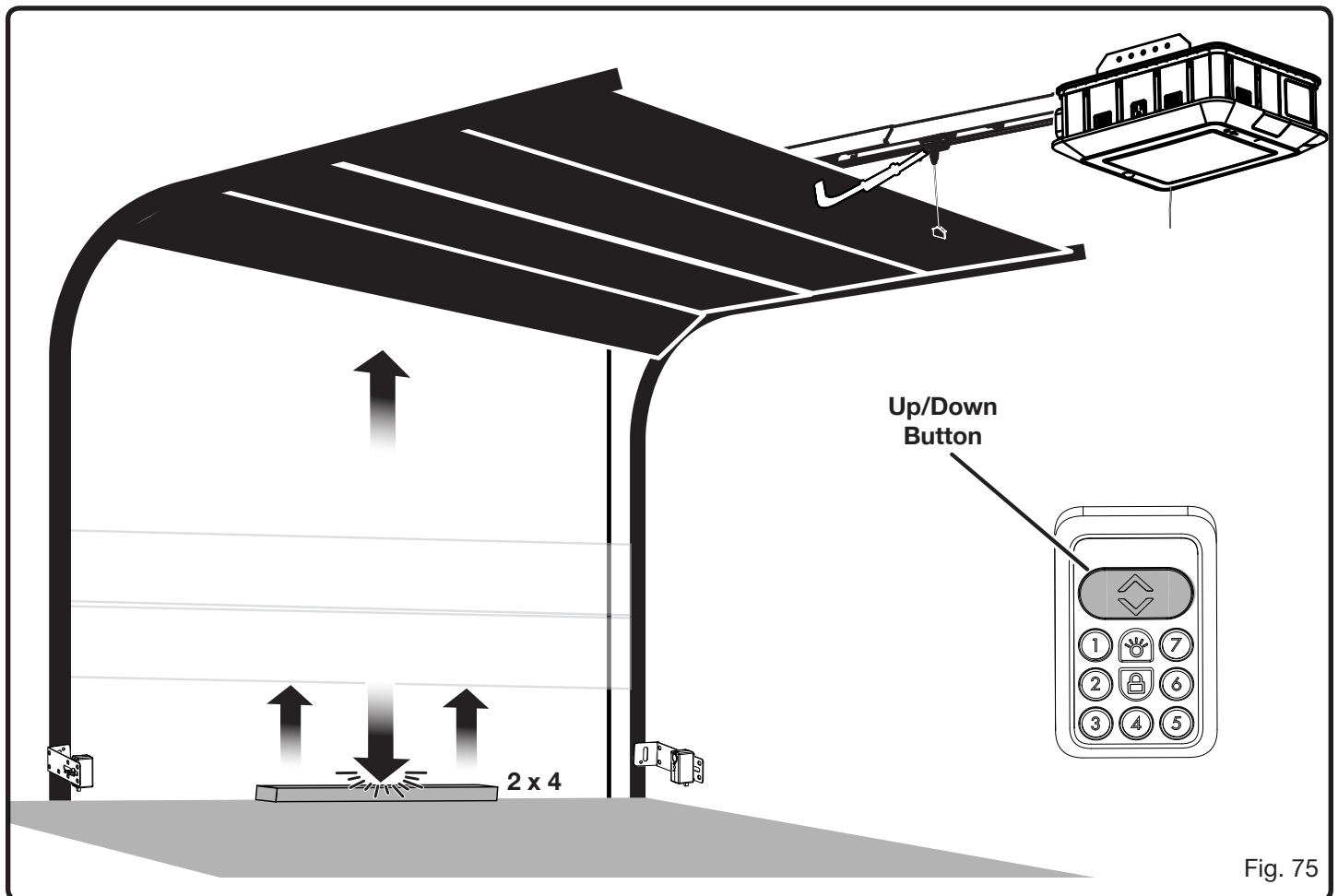


Fig. 75

INSTALLATION

Upon completion of installation and setup of your garage door opener and controls, perform all of the items on the following checklist to ensure the garage door opener functions properly:

WARNING:

Failure to complete the Installation Verification Checklist and verify proper function of the garage door opener can result in death or serious personal injury.

INSTALLATION VERIFICATION CHECKLIST	✓
Use the indoor keypad to open and close the garage door. Ensure garage door moves smoothly from fully open to full closed and from fully closed to fully open.	
With the garage door raised, place a 1-1/2 in. Board (approximately the size of a 2x4 laid flat) on the garage floor beneath the door and attempt to close the door on the object. Ensure the garage door automatically reverses direction upon contacting the object.	
With the garage door raised, press the UP/DOWN button on the indoor keypad to close the door. Pass an object, such as a broomstick, between the safety sensors to break the safety beam while the door is lowering. Ensure the garage door automatically raises when the beam is broken.	
With the garage door lowered, pull the safety handle to disengage the door from the drive unit. Ensure the door is free to move once the outer trolley disengages from the inner trolley. Once this is confirmed, use the indoor keypad to cycle the drive unit and reengage the door to the drive unit.	
If the garage door opener has been connected to the RYOBI Garage Door Opener Accessory System app feature, test this feature prior to use. With the garage door raised, attempt to lower the door using the smartphone app. Ensure that the garage door opener light flashes and a beeping sound is emitted for a few seconds prior to the door beginning to lower.	

If any one of the above items fails to function as described in this Operator's Manual, do not use the garage door opener and contact customer service or a qualified service person for assistance.

OPERATION

IMPORTANT SAFETY INSTRUCTIONS

⚠ WARNING: **TO REDUCE THE RISK OF SEVERE INJURY OR DEATH:**

1. READ AND FOLLOW ALL INSTRUCTIONS.
2. Never let children operate, or play with door controls. Keep the remote control away from children.
3. Always keep the moving door in sight and away from people and objects until it is completely closed. **NO ONE SHOULD CROSS THE PATH OF THE MOVING DOOR.**
4. **NEVER GO UNDER A STOPPED PARTIALLY OPEN DOOR.**
5. Test door opener monthly. The garage door **MUST** reverse on contact with a 1-1/2 inch object (or a 2 by 4 board laid flat) on the floor. After adjusting either the force or the limit of travel, retest the door opener. Failure to adjust the opener properly may cause severe injury or death.
6. For products requiring an emergency release, if possible, use the emergency release only when the door is closed. Use caution when using this release with the door open. Weak or broken springs may allow the door to fall rapidly, causing injury or death.
7. **KEEP GARAGE DOOR PROPERLY BALANCED.** See owner's manual. An improperly balanced door could cause severe injury or death. Have a qualified service person make repairs to cables, spring assemblies and other hardware.
8. This operator system is equipped with an unattended operation feature. The door could move unexpectedly. **NO ONE SHOULD CROSS THE PATH OF THE MOVING DOOR.**

9. **SAVE THESE INSTRUCTIONS.**

⚠ WARNING:

Do not allow familiarity with products to make you careless. Remember that a careless fraction of a second is sufficient to cause death or serious injury.

⚠ WARNING:

Do not use any attachments or accessories not recommended by the manufacturer of this product. The use of attachments or accessories not recommended can result in serious death or personal injury.

⚠ WARNING:

Risk of entrapment. Only use RYOBI ONE+™ 18V lithium-ion (Li-ion) battery packs in this product. This product has a battery backup feature that can operate the garage door opener in the event of a power loss and must only be used with lithium-ion battery packs. The use of any other type of battery can cause the backup system to not operate properly, which can result in death or serious personal injury.

⚠ WARNING:

To prevent **SERIOUS INJURY** or **DEATH**, **DO NOT** open garage door if fire is present, unless you must escape through it. **CALL 911** or the fire department. Opening the garage door will introduce fresh air and may cause fire to spread rapidly.

NOTICE:

Before each use, inspect the entire product for damaged, missing, or loose parts such as screws, nuts, bolts, caps, etc. Tighten securely all fasteners and caps and do not operate this product until all missing or damaged parts are replaced. Please contact customer service for assistance.

For complete charging instructions, refer to the battery charging section later in this manual and the Operator's Manuals for your RYOBI ONE+™ battery pack.

OPERATION

NOTICE:

This product is designed to be powered by either a RYOBI ONE+™ 18V lithium-ion (Li-ion) battery pack (DC mode) or by electric power (AC mode). The unit will operate in AC mode whenever it is connected to an electric power source. It will switch to DC mode when an approved battery pack is installed and the unit is not connected to an AC power source.

CONNECTING THE GARAGE DOOR OPENER TO A POWER SUPPLY

See Figures 76 and 77.

For AC power:

- Assemble and mount the garage door opener as described earlier in the *Installation* section.
- Connect the garage door opener to an AC power supply.
NOTE: Make sure the power supply is normal household voltage, 120 volts, AC only, 60 Hz.
- Ensure that the power cord does not droop excessively or contact moving parts.

For DC power:

- Unplug the garage door opener.
- Open the battery door.
- Insert the battery pack into the product as shown.
- Make sure the latches on each side of the battery pack snap into place and the battery pack is secured before beginning operation.

WARNING:

Make sure the latches on the battery pack snap in place and the battery pack is fully seated and secure in the battery port before beginning operation. Failure to securely seat the battery pack could cause the battery pack to fall out, resulting in serious personal injury or property damage.

- Close the battery door.
- **To remove the battery pack**, open the battery door and depress the latches on both sides of the battery pack.

When a battery pack is installed and the power cord is plugged in, the garage door opener will begin charging the battery pack.

CHARGING A BATTERY PACK

See Figure 77.

Battery packs are shipped in a low charge condition to prevent possible problems. Therefore, you should charge them before first use. If the garage door opener does not charge the battery pack under normal circumstances, return both the battery pack and garage door opener to your nearest repair center for electrical check.

- Connect the garage door opener to an AC power supply.
- Install battery pack into the garage door opener as described earlier.
- Press on the battery pack to be sure contacts on the battery pack engage properly with contacts in the garage door opener.
- The battery pack may become slightly warm to the touch while charging. This is normal and does not indicate a problem.
- When the battery pack is fully charged, you may remove the battery pack or leave it in the battery port to provide DC power if needed.

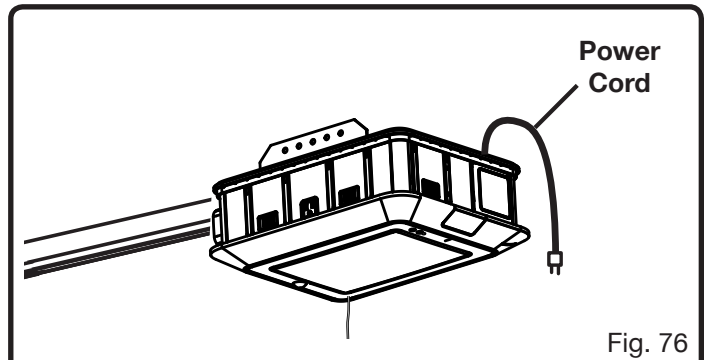


Fig. 76

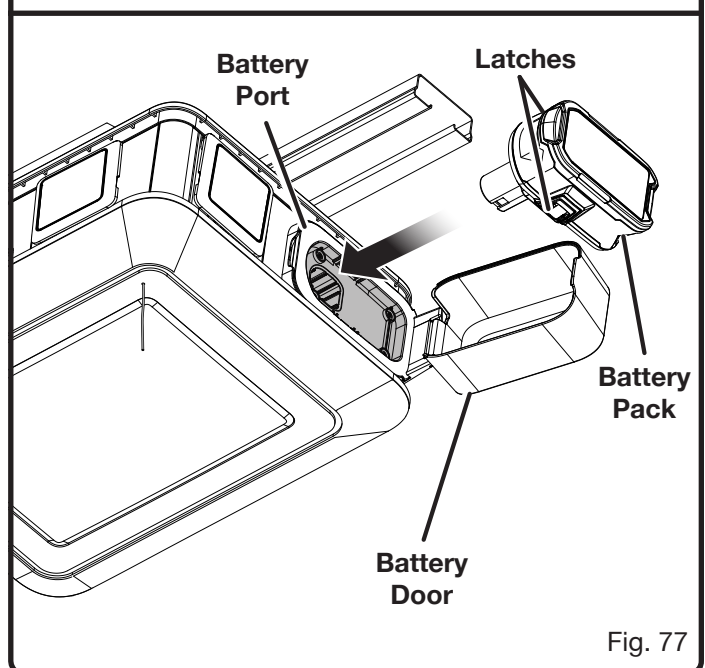


Fig. 77

OPERATION

INSTALLING ACCESSORIES

See Figures 78 and 79.

The garage door opener can power a variety of AC and DC accessories. **For a complete list of accessories, visit www.ryobitools.com.**

⚠ WARNING:

Use only recommended accessories listed on our website, in this manual, or in addendums. Use of accessories that are not listed may cause the risk of personal injury. Instructions for safe use of accessories are included with the accessory.

⚠ WARNING:

Ensure accessories are properly and securely connected to their port on the garage door opener. Failure to properly secure the accessory can cause it to fall and could result in serious personal injury or property damage.

For DC accessories:

- Select one of the accessory ports to power your DC accessory.
- Hook the accessory to the top of the garage door opener and insert it into the accessory port. Ensure the bottom latch on the accessory is secured to the port on the garage door opener.

NOTE: DC accessories will not receive power unless the accessory port has been activated. See **Using the Indoor Keypad** later in this section.

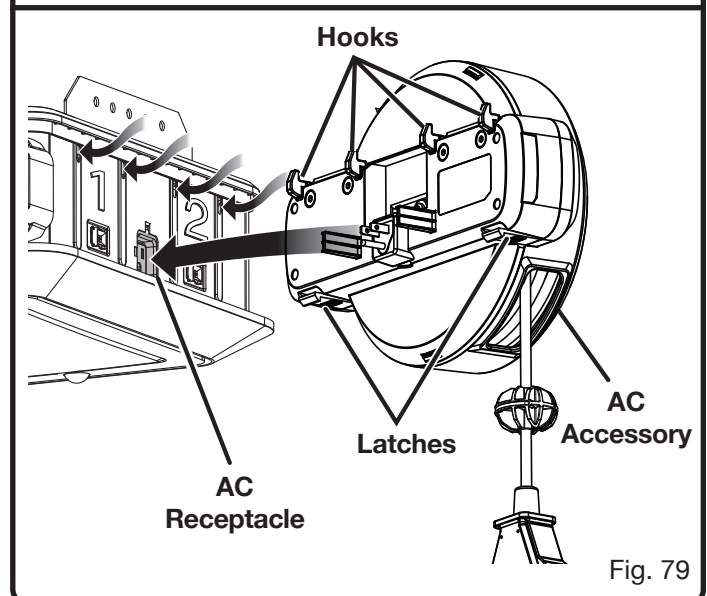
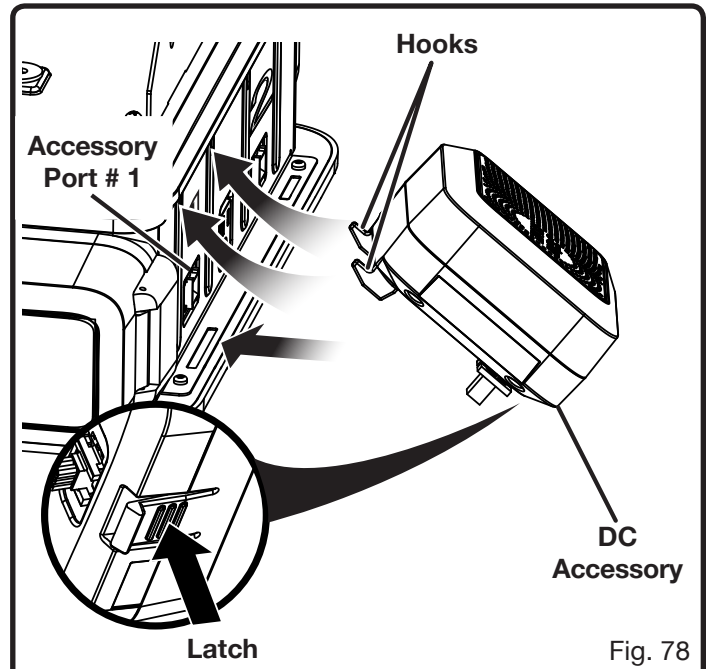
- Depress latches to release and remove the accessory.

For AC accessories:

- Remove both accessory port covers on the side where you will install the accessory.
- Insert AC accessory into the AC receptacle as shown.
- Secure the accessory in place by hooking it to the top of the garage door opener and ensure the bottom latch on the accessory is secured to the port on the garage door opener.

- Depress latches to release and remove the accessory.

NOTE: If the garage door opener is unplugged and a charged battery pack is installed, the AC receptacles and accessory ports will be disabled but the sensors and LED lights will continue to function normally.



OPERATION

USING THE INDOOR KEYPAD

See Figure 80.

WARNING:

Keep moving door in sight when using indoor keypad. Contact with moving door can cause DEATH or serious injury.

The indoor keypad has backlights that turn on when garage door opener is connected to a power supply. When the keypad is locked, the backlights will blink.

- Install and wire the indoor keypad as described earlier in the *Installation* section.
- To raise or lower the garage door, press and release the **UP/DOWN** button.
- To enter and exit vacation mode, press and release the **LOCK** (🔒) button. When the unit is in vacation mode, it

can only be controlled using the indoor keypad and smart phone. The unit will not respond to car remotes or the outdoor keypad.

NOTE: The LEDs in the indoor keypad will blink when the unit is in vacation mode.

- To turn the LED lights on and off, press and release the **LIGHT** (💡) button.

NOTE: When the **LIGHT** (💡) button is pressed, the LED light will illuminate for three minutes.

Activating and Deactivating Accessory Ports:

- To activate a accessory port, press the number on the indoor keypad corresponding with the desired port. For example, to activate accessory port #2 press **NUMBER 2** on your keypad.

NOTE: An active accessory port can be used to power DC accessories. Multiple ports can be activated at once.

- To deactivate a accessory port, press the number on the indoor keypad corresponding with the port.

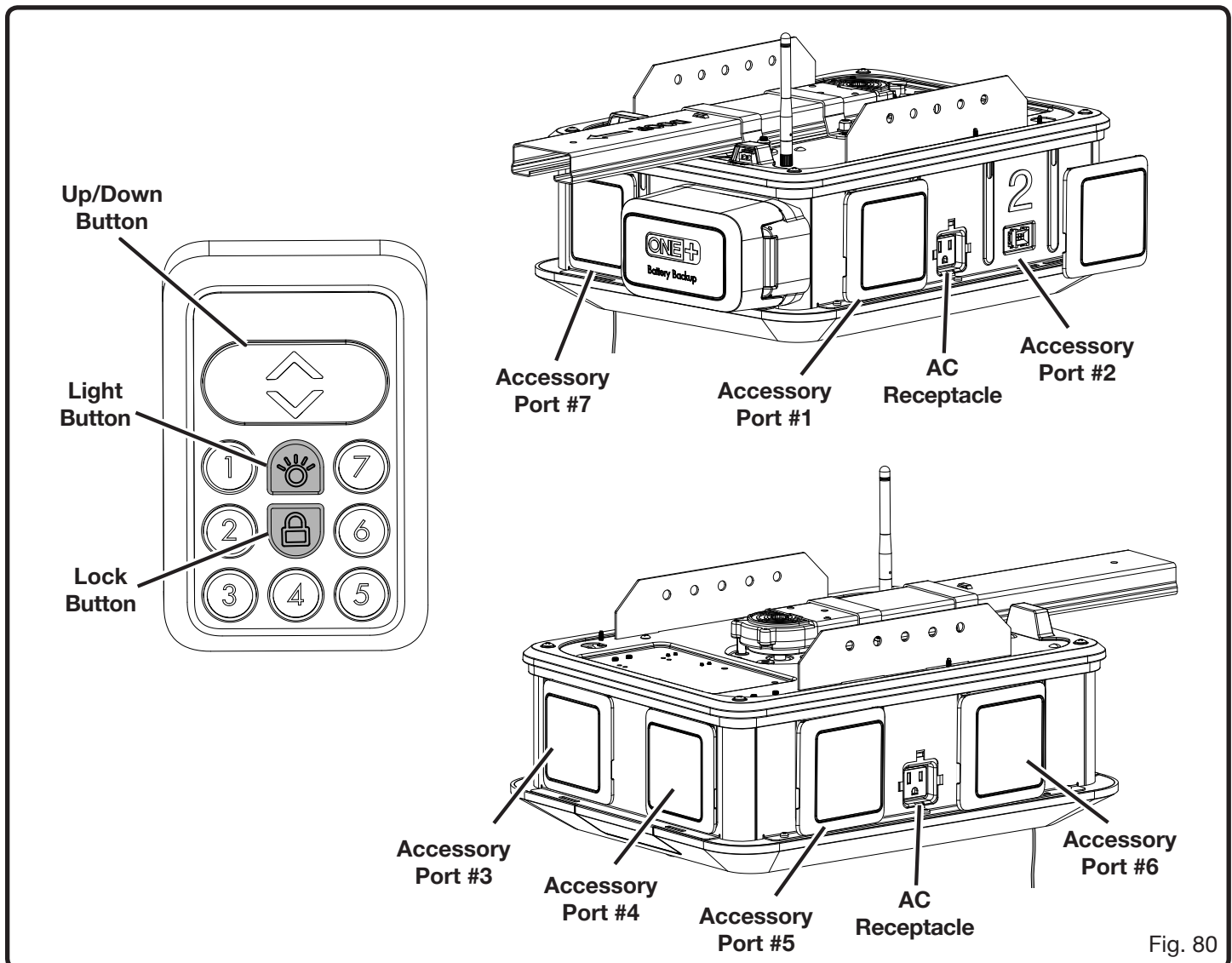


Fig. 80

OPERATION

TESTING THE AUTOMATIC REVERSAL SYSTEM

See Figure 81.

⚠ DANGER:

Test the automatic reversal system after installation, prior to first use, every month and after any adjustments are made to the garage door travel limits. If the door contacts an object higher than 1-1/2 in. off the garage floor (approx. the size of a 2x4 laid flat), it should stop and reverse to the fully open position. If the automatic reversal system does not function properly, a closing garage door could kill or seriously injure someone in its path.

⚠ WARNING:

DO NOT operate the garage door opener unless the automatic reversal system is working correctly. Following this rule will reduce the risk of death or serious personal injury.

- Press and release the **UP/DOWN** button on the indoor keypad to raise the garage door.
- Place a 1-1/2 in. board (approx. the size of a 2x4 laid flat) on the garage floor beneath the door.
- Press and release the **UP/DOWN** button on the indoor keypad to lower the garage door. When the door strikes the board, it should reverse direction immediately.
NOTE: After the door contacts the board, a buzzer will sound five times and the garage door opener's LED lights blink five times.
- If the garage door reverses direction after contacting the board, the reversal system is working properly and no adjustments are needed.
- If the garage door stops before striking the board or strikes the board and then stops, increase the travel limit for the closed position and repeat the test.
- If the automatic reversal system continues to fail, contact customer service or a qualified service person for assistance.

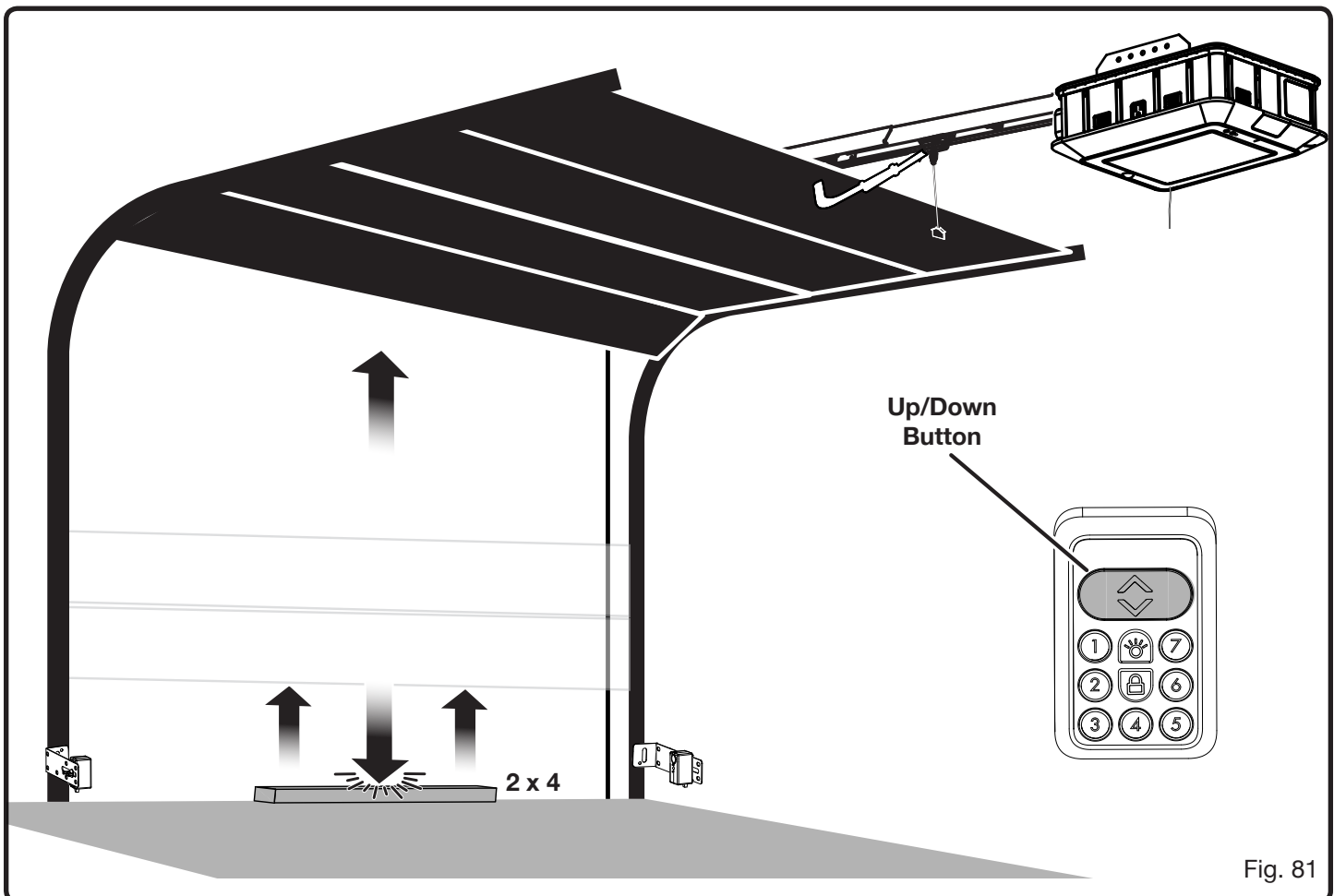


Fig. 81

OPERATION

PROGRAMMING THE OUTDOOR KEYPAD

See Figures 82 - 83.

WARNING:

Keep moving door in sight when using outdoor keypad. Contact with moving door can cause DEATH or serious injury.

Once you begin programming the outdoor keypad, you have two minutes to complete each step. If a step is not completed within two minutes, programming information will be erased. For best results, stand beneath the garage door opener when programming the keypad.

- If you haven't already done so, install a 9-volt battery into the outdoor keypad.
- Press and hold the **PROGRAM** button for at least 10 seconds. The **PROGRAM** button will flash 10 times to indicate that any existing PINs have been deleted.
- Press and hold the **1** button. With the **1** button still depressed, press the **ON/PROGRAM** button then release both. The LEDs on the keypad will flash two times and then remain lit.
- Enter your desired PIN (4 digits). The LEDs on the keypad will flash three times and remain lit for a few seconds. This indicates the PIN has been accepted and the keypad is ready to be paired with your garage door opener.
- Press and hold the **PROGRAM** button on the garage door opener's console until the garage door opener's LED lights turn off and the light behind the **PROGRAM** button on the console flashes three times. This indicates the console is in programming mode.

NOTE: It may take several seconds for lights to flash.

- Press the **ON/PROGRAM** button on the outdoor keypad, then enter your PIN. The light behind the **PROGRAM** button on the garage door opener's console will flash three times, then the garage door opener's LED lights will turn on.

NOTE: It may take several seconds for lights to flash.

- Within 30 seconds after the LED lights turn on, press the **0** button on the keypad. Once the garage door moves, the set-up is complete.
- To operate the garage door opener after initial set-up, press the **ON/PROGRAM** button on the keypad, then enter your PIN.

NOTE: In order to change the PIN or reset a forgotten PIN, repeat all of the steps listed in this section, including syncing the outdoor keypad to the garage door opener.

To set up a temporary PIN:

It is possible to set up a temporary PIN for use by visitors or service personnel. This PIN will remain available only until the next time you enter your regular PIN on the keypad.

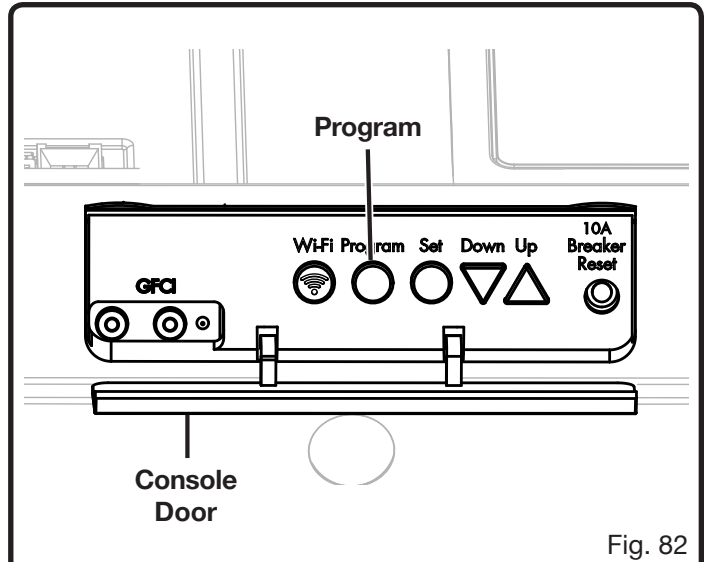


Fig. 82

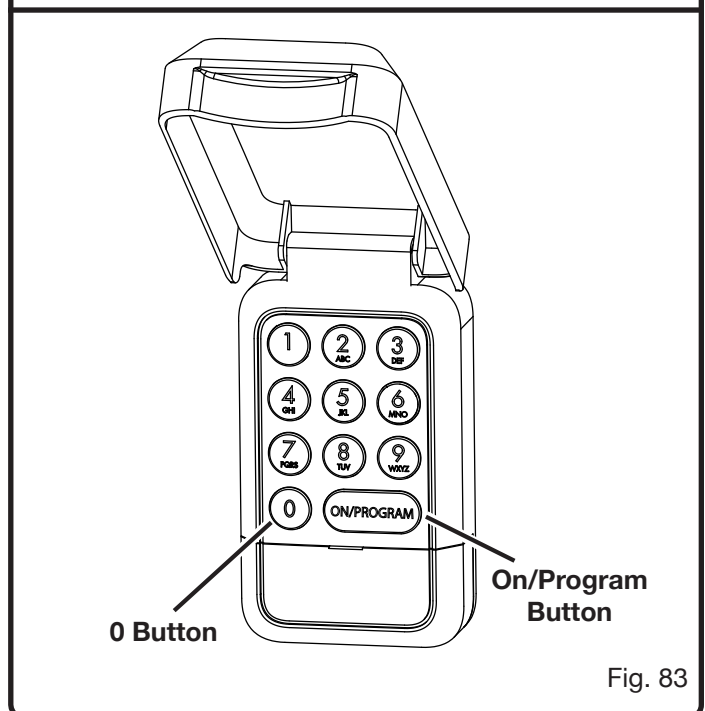


Fig. 83

- Press and hold the **3** button. With the **3** button still depressed, press the **ON/PROGRAM** button then release both. The LEDs on the keypad will flash three times and then remain lit.
- Enter your current PIN. The LEDs on the keypad will briefly flash twice.
- Enter the desired temporary PIN. The LEDs on the keypad will briefly flash three times and the temporary PIN is now ready to use.
- To operate the garage door opener using the temporary PIN, press the **ON/PROGRAM** button on the keypad, then enter the temporary PIN.

NOTE: Remember that the temporary PIN will be automatically deleted the next time your regular PIN is entered on the outdoor keypad.

OPERATION

PROGRAMMING THE CAR REMOTES

See Figure 84.

WARNING:

Keep moving door in sight when using car remotes. Contact with moving door can cause DEATH or serious injury.

Once you begin programming the car remotes, you have two minutes to complete each step. If a step is not completed within two minutes, programming information will be erased.

- Press the **PROGRAM** button on the garage door opener's console.
- The main garage door opener's LEDs will turn off and the **PROGRAM** button will flash three times.
- Select button **1** or **2** on the car remote. Press the button once.
- The car remote's green LED will flash.
- The **PROGRAM** button on the main unit will flash three times.
- The garage door opener main unit LEDs will turn on.
- To verify that the program is set, press the car remote button you selected earlier.
- The garage door will open or close.
- Repeat this process to sync the garage door opener with an additional remote.

NOTE: Buttons **1** and **2** cannot both be programmed to the same garage door opener.

NOTE: Safety sensors must always be connected properly for the door to operate from the car remote.

NOTE: The garage door opener cannot be operated with a car remote until travel limits have been set.

USING THE SMARTPHONE APP

See Figure 85.

WARNING:

To reduce the risk of injury to persons – Only enable the RYOBI Garage Door Opener Accessory System App feature when installed with a sectional door.

WARNING:

Devices or features, such as the RYOBI Garage Door Opener Accessory System App, that allow you to open and close the garage without the garage door being in view should only be used with sectional garage doors.

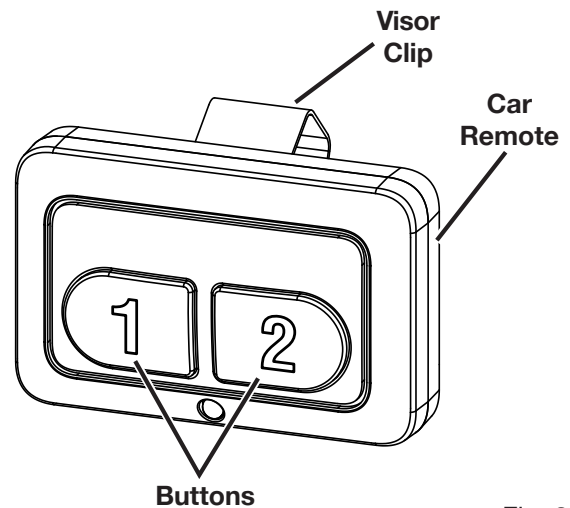


Fig. 84

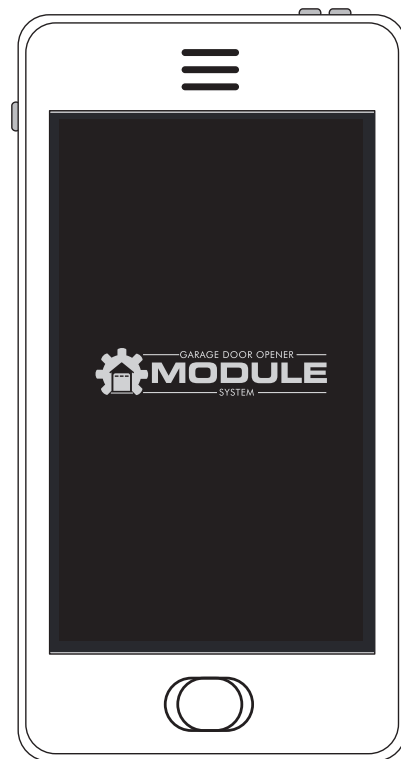


Fig. 85

NOTE: A Wi-Fi router connected to the internet is required to use the smart phone app. You will not be able to open your garage door or receive other information from installed accessories using the smart phone app if your home's Wi-Fi connection with your garage door opener is not connected or functioning properly.

- Download the RYOBI Garage Door Opener Accessory System App from the **App Store** or **Google Play Store**.
- Follow the instructions provided in the app and app guide to control your garage door opener and accessories. For more information, visit www.ryobitools.com.

MAINTENANCE

IMPORTANT SAFETY INSTRUCTIONS

WARNING: TO REDUCE THE RISK OF SEVERE INJURY OR DEATH:

1. READ AND FOLLOW ALL INSTRUCTIONS.
2. Never let children operate, or play with door controls. Keep the remote control away from children.
3. Always keep the moving door in sight and away from people and objects until it is completely closed. **NO ONE SHOULD CROSS THE PATH OF THE MOVING DOOR.**
4. **NEVER GO UNDER A STOPPED PARTIALLY OPEN DOOR.**
5. Test door opener monthly. The garage door **MUST** reverse on contact with a 1-1/2 inch object (or a 2 by 4 board laid flat) on the floor. After adjusting either the force or the limit of travel, retest the door opener. Failure to adjust the opener properly may cause severe injury or death.
6. For products requiring an emergency release, if possible, use the emergency release only when the door is closed. Use caution when using this release with the door open. Weak or broken springs may allow the door to fall rapidly, causing injury or death.
7. **KEEP GARAGE DOOR PROPERLY BALANCED.** See owner's manual. An improperly balanced door could cause severe injury or death. Have a qualified service person make repairs to cables, spring assemblies and other hardware.
8. This operator system is equipped with an unattended operation feature. The door could move unexpectedly. **NO ONE SHOULD CROSS THE PATH OF THE MOVING DOOR.**

9. **SAVE THESE INSTRUCTIONS.**

WARNING:

Before inspecting, cleaning or servicing the machine, lower the garage door, shut off motor, wait for all moving parts to stop, disconnect unit from power supply, and remove all accessories. Failure to follow these instructions can result in serious personal injury or property damage.

WARNING:

When servicing, use only identical replacement parts. Use of any other parts could create a personal injury hazard or cause product damage.

WARNING:

Periodically inspect the entire product for damaged, missing, or loose parts such as screws, nuts, bolts, caps, etc. Tighten securely all fasteners and caps and do not operate this product until all missing or damaged parts are replaced. Please contact customer service for assistance. Loose, missing, or damaged parts can result in death, serious personal injury, or property damage.

GENERAL MAINTENANCE

Avoid using solvents when cleaning plastic parts. Most plastics are susceptible to damage from various types of commercial solvents and may be damaged by their use. Use clean cloths to remove dirt, dust, oil, grease, etc.

WARNING:

Do not at any time let brake fluids, gasoline, petroleum-based products, penetrating oils, etc., come in contact with plastic parts. Chemicals can damage, weaken or destroy plastic which could result in serious personal injury.

POWER SUPPLY CORD REPLACEMENT

If replacement of the power supply cord is necessary, this must be done by the manufacturer in order to avoid a safety hazard.

MAINTENANCE

REPLACING CAR REMOTE BATTERIES

See Figure 86.

⚠ WARNING:

KEEP BUTTON/COIN CELL BATTERIES OUT OF SIGHT AND REACH OF CHILDREN. Swallowing batteries can lead to serious injury or death. If you suspect a child has ingested a battery, go to the hospital immediately. Do not induce vomiting or have your child eat or drink anything. For more information, call the National Battery Ingestion Hotline: 202-625-3333. The battery identification number for this product is CR2016 or CR2032.

⚠ WARNING:

Risk of injury due to fire, explosion, or leakage. Do not disassemble, charge, crush, or expose to fire or high temperatures.

- Remove visor clip.
- Remove the battery cover by inserting the edge of a coin into the slot and twisting.
- Install the battery or batteries according to the polarity indicators.

NOTE: The remote can be powered by one 2032-size battery, or two 2016-size batteries stacked together.

- Reassemble the remote by aligning the sections as shown.
- Snap the sections together to close.
- Make sure the remote is securely reassembled before attaching the visor clip.

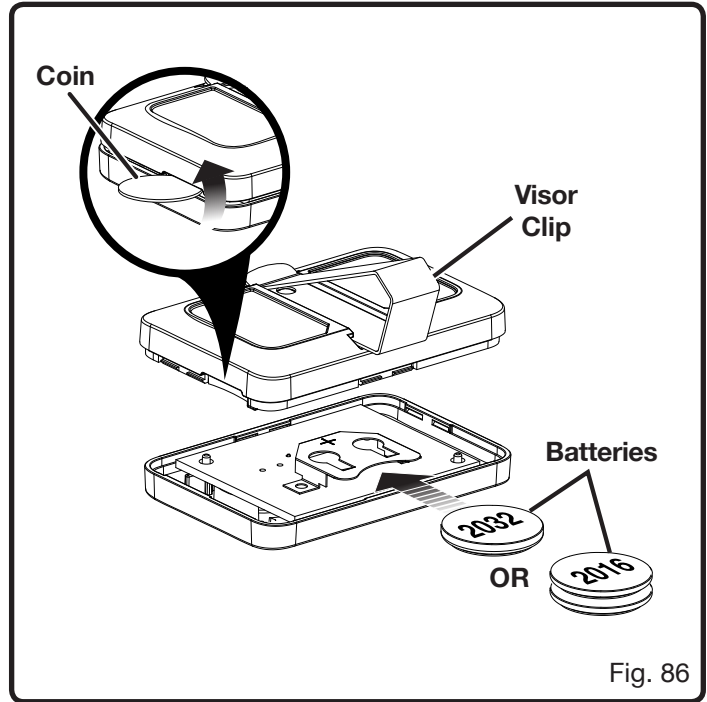


Fig. 86

PERIODIC MAINTENANCE SCHEDULE

Each Week	<ul style="list-style-type: none"> ■ Check the power head, rail, brackets, door arms, track, and rollers for loose or damaged parts. Replace or tighten as needed.
Each Month	<ul style="list-style-type: none"> ■ Manually open and close the garage door. If the door does not move smoothly, binds, or is out of balance, have the garage door or door springs repaired by a qualified service person. ■ Test the automatic reversal system as described in the <i>Installation</i> section.
Every 3 Months	<ul style="list-style-type: none"> ■ Test the travel limits of the garage door, as described in the <i>Operation</i> section, and ensure it opens and closes fully. ■ Check the condition of the power supply cord and battery pack. Replace as needed.
Each Year	<ul style="list-style-type: none"> ■ Lubricate the garage door rollers and hinges. The garage door opener is lubricated with a sufficient amount of lubricant for the life of the unit under normal operating conditions. Therefore, no further lubrication of the unit is required. DO NOT ADD LUBRICANT TO TRACKS. ■ Unplug the power head and test the battery backup. If the unit cannot run on DC power alone, charge or replace the battery pack.

ACCESSORIES

The following accessories are not included with your garage door opener but may be available where you purchased this product. For assistance call 1-877-205-5714.

- Extension KitsGDAEXT100 (8 ft.), GDAEXT110 (10 ft.),
GDAEXT112 (12 ft.), and GDAEXT114 (14 ft.)
- Carbon Monoxide Alarm GDM920
- Lithium-ion Battery PackP102, P103, P104, P105, P107, and P108
- Bluetooth Speaker GDM120
- Dual Laser Park Assist GDM222
- Extension Cord Reel GDM330
- Speed Control Fan GDM421
- Car Remote GDA100
- Safety Sensor GDA200
- Outdoor Keypad GDA300

WARNING:

Current attachments and accessories available for use with this product are listed above. Do not use any attachments or accessories not recommended by the manufacturer of this product. The use of attachments or accessories not recommended can result in serious personal injury.

TROUBLESHOOTING

PROBLEM	POSSIBLE CAUSE	SOLUTION
All of the console buttons are blinking continuously	DC voltage below 24V.	Disconnect the unit from the power supply. Wait several minutes before reconnecting. If problem persists, contact customer service.
	DC voltage exceeds 40 volts	Disconnect the unit from the power supply. Wait several minutes before reconnecting. If problem persists, contact customer service.
When setting or testing travel limits, a buzzer sounds and the UP button in the console blinks continuously	Safety sensor (receiver) can't be detected.	Inspect sensor wires for damage and ensure they are installed correctly. Reset travel limits.
When setting or testing travel limits, a buzzer sounds and the DOWN button in the console blinks continuously	Safety sensor (transmitter) can't be detected.	Disconnect the unit from the power supply. Inspect sensor wires for damage and ensure they are installed correctly. Connect the power supply and reset travel limits.
When testing travel limits, a buzzer sounds and all console buttons blink seven times.	A step for setting the travel limits was not completed within two minutes.	Complete each step for setting the travel limits within two minutes.
When testing travel limits, a buzzer sounds twice and all console buttons blink eleven times.	Safety sensors became misaligned or obstructed during testing	Remove the obstruction or align the safety sensors as described in the <i>Installation</i> and <i>Operation</i> sections.

TROUBLESHOOTING

PROBLEM	POSSIBLE CAUSE	SOLUTION
When programming the outdoor keypad, a buzzer sounds and all console buttons blink seven times.	A step for programming the outdoor keypad was not completed within two minutes.	Complete each step for programming the outdoor keypad within two minutes.
When programming a car remote, a buzzer sounds and all console buttons blink seven times.	A step for programming the car remote was not completed within two minutes.	Complete each step for programming the car remote within two minutes.
During operation, the opener struggles to raise or lower the door and then stops. A buzzer sounds continuously and the SET button in the console blinks continuously.	Motor amperage has exceeded 8 amps.	Unplug the unit. Have door spring or door repaired or replaced by a qualified service technician.
	Door spring (torsion spring and/or extension spring) is damaged.	Unplug the unit. Have door spring repaired or replaced by a qualified service technician.
	Door is too heavy, broken, or stuck.	Unplug the unit. Have door repaired or replaced by a qualified service technician.
When a car remote, smart phone, or keypad is used a buzzer sounds and the UP and DOWN buttons in the console blink continuously	The travel limits have been erased or have not been set correctly.	Set the travel limits as described in the <i>Installation</i> section.
Garage door begins to close then stops and reverses. A buzzer sounds five times and the garage door opener's LED lights blink five times	The garage door opener hit an object while it was closing.	Remove the object and continue operation.
Garage door opener is in the fully open position and cannot be closed with a car remote, smart phone, or keypad	The safety sensors are not receiving power.	Inspect sensor wires for damage and ensure they are installed correctly. Reset travel limits.
Garage door opener does not activate when indoor keypad is pressed	Battery is low in charge or power supply not connected	Charge the battery or connect to power supply
	The wire connecting the keypad to the power head has been damaged	Replace damaged or broken wires
	Circuit breaker is tripped	Reset circuit breaker
Garage door opener activates, but the garage door does not move	The outer trolley is not engaged with the inner trolley	Pull the emergency release rope and raise the garage door until the outer trolley engages the inner trolley
	The door arms are not connected to the outer trolley	Secure the door arms to the outer trolley using clevis and hitch pin
	The door arms are not connected to the garage door	Secure the door arms to the garage door using clevis and hitch pin

TROUBLESHOOTING

PROBLEM	POSSIBLE CAUSE	SOLUTION
Garage door cannot be opened or closed with car remote or outdoor keypad	The garage door opener is in Vacation Mode.	Press the LOCK (🔒) button on the indoor keypad or smart phone app to unlock the garage door opener
Garage door opener is loud or noisy	Fasteners may not be tightened securely	Inspect the entire product for loose parts such as screws, nuts, bolts, caps, etc. Tighten all parts securely
	The open travel limit has been set incorrectly (Single Panel Doors Only)	Adjust the travel limits as described in the <i>Installation</i> section
AC accessories not working	AC power supply is disconnected GFCI is tripped	Connect AC power supply Press the reset button on the console
	One or two accessories are installed with a combined rating of more than 10 amps	Remove the accessory or accessories and press the 10 amp circuit breaker reset button on the console.
DC accessories not working	AC power supply is disconnected	Connect AC power supply
	The port powering the DC accessory is not activated.	Use the indoor keypad to activate the port.
Outdoor keypad does not work.	Keypad not programmed correctly	Program the keypad as described in the <i>Operation</i> section
	The keypad's signal is obstructed	Move keypad to a different location
Car remote not working	RF antenna is obstructed	Position the antenna below the opener.
	Remote not programmed correctly	Program the remote as described in the <i>Operation</i> section
	The remote's signal is obstructed	Move remote to a different location
Opener can't connect to Wi-Fi network	Wi-Fi router is not connected to the internet	Connect Wi-Fi router to the internet
	Opener not programmed correctly Wi-Fi router using WEP security scheme	Program unit according to app instructions Change your network security settings to WPA/WPA2

WARRANTY

LIMITED WARRANTY STATEMENT

One World Technologies, Inc., warrants to the original retail purchaser that this RYOBI™ brand garage door opener is free from defect in material and workmanship and agrees to repair or replace, at One World Technologies, Inc.'s discretion, any defective product or part free of charge for the following time periods starting from the date of purchase.

- Three years for the power head, gearbox, rails, door arms, sensors, remotes, and keypads.
- Lifetime for the motor and belt. Lifetime shall mean as long as the original retail purchaser owns the garage door opener and the opener is not removed from its original installation.

This warranty extends to the original retail purchaser only and commences on the date of the original retail purchase. If, within the warranty periods stated above, this product appears to have a defect covered under the limited warranty, contact customer service at 1-877-205-5714. One World Technologies, Inc. must be given a reasonable amount of time to determine if a warranty claim is valid prior to product being removed or altered. If it is determined that your claim is valid, you may be provided with instructions for disassembling and shipping the product or defective part. Any part of this product manufactured or supplied by One World Technologies, Inc., and found in the reasonable judgment of One World Technologies, Inc., to be defective in material or workmanship will be repaired or replaced without charge for parts. If disassembly, reinstallation, or repair is performed by a professional, labor costs are the sole responsibility of the purchaser.

The expense of shipping the product for warranty work and the expense of returning it back to the owner after repair or replacement will be paid by the owner. One World Technologies, Inc.'s responsibility in respect to claims is limited to making the required repairs or replacements and no claim of breach of warranty shall be cause for cancellation or rescission of the contract of sale of any RYOBI™ brand product. Proof of purchase will be required to substantiate any warranty claim. All warranty work must be approved by One World Technologies, Inc.

Instructions for installing, operating, maintaining, and testing the unit are included in the operator's manual. Failure to strictly adhere to those instructions will void this limited warranty.

This warranty does not cover any product that has been subject to misuse, neglect, negligence, or accident, or that has been operated in any way contrary to the operating instructions as specified in the operator's manual. This warranty does not apply to any damage to the product that is the result of improper maintenance or to any product that has been altered or modified so as to adversely affect the product's operation, performance or durability or that has been altered or modified so as to change its intended use.

The warranty does not extend to repairs made necessary by normal wear, acts of God, or by the use of parts or accessories which are either incompatible with the RYOBI™ brand garage door opener or adversely affect its operation, performance or durability. This warranty excludes units installed for non-residential or commercial use, labor costs for installing repaired or replacement units, any unauthorized repairs or modifications, the cost of replacing consumable items such as keypad and remote batteries, problems that may occur as a result of radio interference, and items that are a part of or related to the garage door including but not limited to door springs, door hinges, door rollers, and other garage door hardware.

One World Technologies, Inc., reserves the right to change or improve the design of any RYOBI™ brand garage door opener without assuming any obligation to modify any product previously manufactured.

ALL IMPLIED WARRANTIES ARE LIMITED IN DURATION TO THE STATED WARRANTY PERIOD. ACCORDINGLY, ANY SUCH IMPLIED WARRANTIES INCLUDING MERCHANTABILITY, FITNESS FOR A PARTICULAR PURPOSE, OR OTHERWISE, ARE DISCLAIMED IN THEIR ENTIRETY AFTER THE EXPIRATION OF THE STATED THREE-YEAR WARRANTY PERIOD. ONE WORLD TECHNOLOGIES, INC.'S OBLIGATION UNDER THIS WARRANTY IS STRICTLY AND EXCLUSIVELY LIMITED TO THE REPAIR OR REPLACEMENT OF DEFECTIVE PARTS AND ONE WORLD TECHNOLOGIES, INC., DOES NOT ASSUME OR AUTHORIZE ANYONE TO ASSUME FOR THEM ANY OTHER OBLIGATION. SOME STATES DO NOT ALLOW LIMITATIONS ON HOW LONG AN IMPLIED WARRANTY LASTS, SO THE ABOVE LIMITATION MAY NOT APPLY TO YOU. ONE WORLD TECHNOLOGIES, INC., ASSUMES NO RESPONSIBILITY FOR INCIDENTAL, CONSEQUENTIAL OR OTHER DAMAGES INCLUDING, BUT NOT LIMITED TO EXPENSE OF RETURNING THE PRODUCT TO ONE WORLD TECHNOLOGIES, INC. AND EXPENSE OF DELIVERING IT BACK TO THE OWNER, MECHANIC'S TRAVEL TIME, TELEPHONE OR TELEGRAM CHARGES, RENTAL OF A LIKE PRODUCT DURING THE TIME WARRANTY SERVICE IS BEING PERFORMED, TRAVEL, LOSS OR DAMAGE TO PERSONAL PROPERTY, LOSS OF REVENUE, LOSS OF USE OF THE PRODUCT, LOSS OF TIME, OR INCONVENIENCE, SOME STATES DO NOT ALLOW THE EXCLUSION OR LIMITATION OF INCIDENTAL OR CONSEQUENTIAL DAMAGES, SO THE ABOVE LIMITATION OR EXCLUSION MAY NOT APPLY TO YOU.

This warranty gives you specific legal rights, and you may also have other rights which vary from state to state.

This warranty applies to all RYOBI™ brand garage door openers distributed by One World Technologies, Inc., and sold in the United States, Mexico, and Canada.

FCC COMPLIANCE

The following FCC compliance information is for the GD200A garage door opener only. For information regarding other products and accessories, refer to the labels and documentation included with those items.

⚠ WARNING:

Changes or modifications to this unit not expressly approved by the party responsible for compliance could void the user's authority to operate the equipment.

This device complies with part 15 of the FCC rules. Operation is subject to the following two conditions: (1) this device may not cause harmful interference, and (2) this device must accept any interference received, including interference that may cause undesired operation.

NOTE: The grantee is not responsible for any changes or modifications not expressly approved by the party responsible for compliance. Such modifications could void the user's authority to operate the equipment.

NOTE: This equipment has been tested and found to comply with the limits for a Class B digital device, pursuant to part 15 of the FCC Rules. These limits are designed to provide reasonable protection against harmful interference in a residential installation. This equipment generates, uses and can radiate radio frequency energy and, if not installed and used in accordance with the instructions, may cause harmful interference to radio communications. However, there is no guarantee that interference will not occur in a particular installation. If this equipment does cause harmful interference to radio or television reception, which can be determined by turning the equipment off and on, the user is encouraged to try to correct the interference by one or more of the following measures:

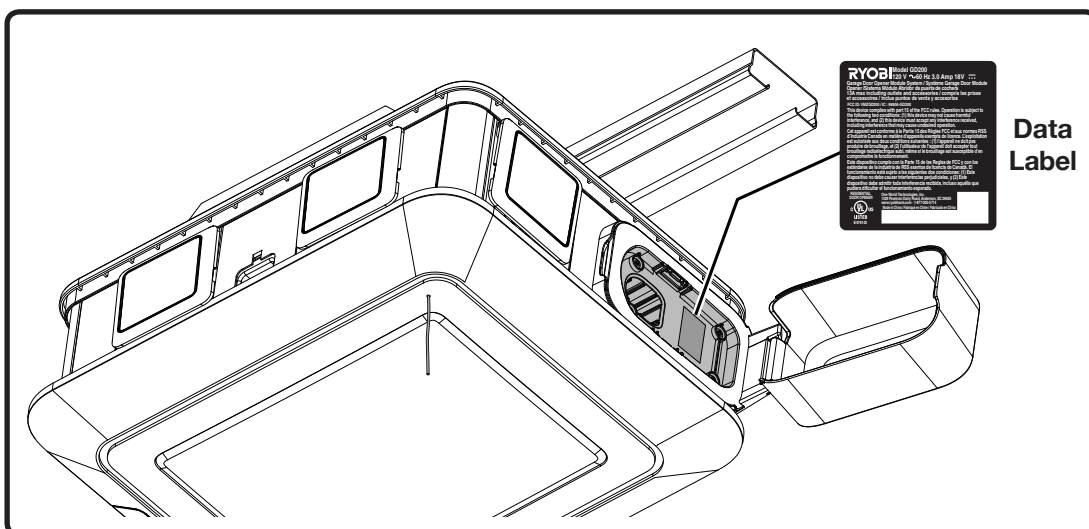
- Reorient or relocate the receiving antenna.
- Increase the separation between the equipment and receiver.
- Connect the equipment into an outlet on a circuit different from that to which the receiver is connected.
- Consult the dealer or an experienced radio/TV technician for help.

This device complies with Innovation, Science and Economic Development Canada license-exempt RSS standard(s). Operation is subject to the following two conditions: (1) This device may not cause interference, and (2) This device must accept any interference, including interference that may cause undesired operation of the device. This device complies with RSS-247 of Innovation, Science and Economic Development Canada. Operation is subject to the condition that this device does not cause harmful interference. This Class B digital apparatus complies with Canadian ICES-003 (Cet appareil numérique de la Classe B conforme à la norme NMB-003 du Canada).

This equipment complies with IC radiation exposure limits set forth for an uncontrolled environment. This equipment should be installed and operated with minimum distance of 20 cm between the radiator and your body. This transmitter must not be co-located or operating in conjunction with any other antenna or transmitter.

Under Industry Canada regulations, this radio transmitter may only operate using an antenna of a type and maximum (or lesser) gain approved for the transmitter by Industry Canada. To reduce potential radio interference to other users, the antenna type and its gain should be so chosen that the equivalent isotropically radiated power (e.i.r.p.) is not more than that necessary for successful communication.

For additional FCC information, refer to the data label located inside the battery compartment.



RÈGLES DE SÉCURITÉ PARTICULIÈRES

AVERTISSEMENT :

LIRE ATTENTIVEMENT ET COMPRENDRE TOUTES LES INSTRUCTIONS AVANT D'UTILISER CET OUVERE-PORTE DE GARAGE pour réduire le risque de décharge électrique, un incendie et / ou des blessures graves.

- Pour utiliser avec des portes de garage sectionnelles ou à panneau simple. Non destiné à une utilisation commerciale.
- Activer seulement la caractéristique de l'application pour système de accessoire pour ouvre-porte de garage RYOBI pour l'installation d'une porte sectionnelle.
- Apprendre à connaître produit. Lire attentivement le manuel d'utilisation. Apprendre les applications et les limites de l'outil, ainsi que les risques spécifiques relatifs à son utilisation. Le respect de cette consigne réduira le risque de décharge électrique, un incendie et / ou des blessures graves.
- Toujours respecter les consignes de sécurité du fabricant de ouvre-porte de garage, ainsi que toutes les règles de sécurité d'utilisation du accessoire de ouvre-porte de garage. Le respect de cette consigne réduira les risques de blessures graves.
- Les dispositifs ou caractéristiques, comme l'application pour système de accessoire pour ouvre-porte de garage RYOBI, permettant d'ouvrir ou de fermer une porte de garage sans qu'elle soit à portée de vue ne doivent être utilisés qu'avec les portes de garage sectionnelles.
- N'utilisez aucun ajout ni accessoire non-recommandé par le fabricant de ce produit.
- Un essai mensuel de la fonctionnalité du dispositif est recommandé pour assurer une performance fiable à long terme.
- Ne pas utiliser l'ouvre-porte de garage s'il est endommagé ou brisé.
- Ne pas utiliser l'ouvre-porte de garage si les claviers ne parviennent pas à mettre le moteur en marche ou à l'arrêter. Un ouvre-porte ne pouvant être activé à partir du clavier ou de l'application est représente un risque et doit être réparé.
- Pour éviter une utilisation accidentelle des claviers et des télécommandes, les placer dans un endroit inaccessible aux enfants et autres personnes inexpérimentées avec le fonctionnement de cet appareil et à au moins 1,5 m (5 pi) au-dessus du sol.
- Ne pas laisser des enfants ou personnes n'ayant pas reçu une formation adéquate utiliser cet outil.
- Cet appareil n'est pas un jouet. Une surveillance étroite est impérative lorsqu'il est utilisé à proximité d'enfants.
- Pour éviter les blessures graves ou mortelles, s'éloigner de la porte de garage lorsqu'elle est en mouvement.
- L'efficacité des capteurs de sécurité inclus avec ce système est directement reliée à leurs positions et à l'installation de ces derniers.
- Être très prudent lors du montage de l'appareil. Toujours garder les pieds fermement au sol et être en équilibre en tout temps.
- Fixer seulement l'ouvre-porte de garage à des solives. Ne jamais monter l'appareil sur une cloison sèche ou des serpentins plafonniers de faux plafonds. Une mauvaise installation de l'ouvre-porte de garage représente un risque de chute pouvant causer des blessures graves ou mortelles.
- Ce produit ne contient pas de filerie fixe. Communiquer avec un électricien qualifié pour faire installer une prise de courant adéquate, le cas échéant.
- Raccorder directement l'ouvre-porte de garage à une source d'alimentation électrique. Ne pas brancher de rallonge ou d'adaptateur de cordon au cordon d'alimentation de ce produit.
- Ne pas débrancher en tirant sur le cordon. Tirer plutôt sur la fiche.
- Ne pas manipuler le bloc-piles, le cordon d'alimentation, les câbles, les cosses, ni les accessoires lorsque les mains sont mouillées.
- Débrancher le bloc-piles et débrancher l'ouvre-porte de garage avant d'effectuer des réglages, de changer des accessoires ou d'effectuer l'entretien. De telles mesures de sécurité réduisent le risque de décharge électrique et d'électrocution.
- Inspecter périodiquement le cordon d'alimentation et les câbles et les faire réparer par le fabricant s'ils sont endommagés pour éviter les risques. Garder le cordon d'alimentation et les câbles éloignés des points de pincements et des pièces mobiles. Respecter cette consigne afin de réduire le risque de décharge électrique ou d'incendie.
- Vérifier l'état des pièces. Avant de continuer l'utilisation d'un ouvre-porte de garage, d'une courroie, d'une poulie ou d'autres pièces endommagées, inspecter soigneusement les pièces afin de déterminer l'état de bon fonctionnement et leurs performances selon leur fonction prévue. S'assurer du bon alignement des pièces mobiles, que les pièces mobiles ne sont pas pliées, qu'elles sont installées correctement et qu'aucune condition ne nuit à leur bon fonctionnement. Une courroie, une poulie ou d'autres pièces endommagées doivent être réparées correctement ou remplacées par le fabricant. Le respect de cette règle réduira les risques de choc électrique, d'incendie et de blessures graves.
- Lors de réparation du produit, utilisez seulement des pièces identiques aux pièces d'origine. Suivez les instruction contenues dans la section Entretien de ce manuel. L'usage de pièces non autorisées ou le non respect des instructions d'entretien peut présenter des risques de blessures.
- Ne jamais tenter de desserrer, mettre au point ou retirer les ressorts de la porte (ressort de torsion et de traction), les composants du ressort de porte ou toutes surfaces sur lesquelles sont installés ces articles. Ces articles sont exposés à une tension extrême et toute altération représente un risque de blessures graves ou mortelles et/ou des dommages aux biens.
- L'entretien des portes de garage, des ressorts de porte (ressorts de torsion et de traction) et les composants de ressort de la porte doit être effectué par un technicien qualifié.
- Pour éviter les BLESSURES GRAVES ou MORTELLES, NE PAS ouvrir la porte de garage en présence d'un incendie, sauf si cette issue est la seule disponible. APPELEZ le 911 ou le service d'incendie. L'ouverture de la porte de garage risque de provoquer la pénétration d'air frais pouvant causer la propagation rapide du feu.

RÈGLES PARTICULIÈRES CONCERNANT L'UTILISATION DE LA PILE

- Lorsque le bloc de batteries n'est pas en usage, le garder à l'écart d'articles tels qu'attaches trombones, pièces de monnaie, clous, vis et autres petits objets métalliques risquant d'établir le contact entre les deux bornes. La mise en court-circuit des bornes de batteries peut causer des étincelles, des brûlures ou un incendie.
- Utiliser exclusivement le bloc piles spécifiquement indiqué pour l'outil. L'usage de tout autre bloc piles peut créer un risque d'incendie.
- Ne pas jeter les piles au feu. La cellule peut exploser. Vérifier les codes locaux pour connaître toute instruction spéciale relative à l'élimination des piles.
- Ne pas altérer le bloc piles. L'électrolyte est un produit corrosif pouvant causer des lésions cutanées ou oculaires. Il peut être toxique en cas d'ingestion.
- Ne pas placer les outils électriques sans fil ou leurs piles à proximité de flammes ou d'une source de chaleur. Ceci réduira les risques d'explosion et de blessures.
- Les piles peuvent exploser en présence d'une source d'allumage, telle qu'une veilleuse. Pour réduire les risques de blessures graves, ne jamais utiliser un appareil sans fil, quel qu'il soit, en présence d'une flamme vive. En explosant, une pile peut projeter des débris et des produits chimiques. En cas d'exposition, rincer immédiatement les parties atteintes avec de l'eau.
- Ne pas écraser, faire tomber ou endommager le bloc piles. Ne jamais utiliser un bloc piles ou un chargeur qui est tombé, a été écrasé, a reçu un choc violent ou a été endommagé de quelque façon que ce soit. Une pile endommagée risque d'exploser. Éliminer immédiatement toute pile endommagée, selon une méthode appropriée.
- Manipuler les piles avec soin pour éviter des courts circuits avec des objets conducteurs comme des anneaux, des bracelets et des clés. La pile ou l'objet conducteur peuvent surchauffer et causer des brûlures.
- Si l'produit est utilisé de façon intensive ou sous des températures extrêmes, des fuites de pile peuvent se produire. En cas de contact du liquide avec la peau, rincez immédiatement la partie atteinte avec de l'eau savonneuse. En cas d'éclaboussure dans les yeux, rincez-les à l'eau fraîche pendant au moins 10 minutes, puis contactez immédiatement un médecin. Le respect de cette consigne réduira les risques de blessures graves.
- Les ouvre-portes de garages alimentés par pile n'ont pas besoin d'être branchés dans une prise de courant, mais ils sont toujours en service. Prendre garde aux risques possibles lors des réglages ou des changements d'accessoires. Le respect de cette règle réduira les risques d'incendie, de choc électrique et de blessures graves.
- Pour obtenir de meilleurs résultats, la pile de l'ouvre-porte de garage doit être chargée dans un endroit où la température est supérieure à 10 °C (50 °F), sans excéder 38 ° (100 °F). Ne pas remiser à l'extérieur ou dans un véhicule.
- Conserver ces instructions. Les consulter fréquemment et les utiliser pour instruire les autres utilisateurs éventuels. Si cet produit est prêté, il doit être accompagné de ces instructions.

RÈGLES DE SÉCURITÉ CONCERNANT LE CHARGEUR

- Avant de charger le bloc-piles, veuillez lire toutes les instructions et les pictogrammes de mises en garde du présent manuel et du manuel de l'appareil utilisant une pile afin d'éviter une mauvaise utilisation des produits ainsi que les blessures et dommages.
- ⚠ AVERTISSEMENT :**
- Charger seulement une pile rechargeable au lithium-ion. Les piles d'autres types peuvent exploser et causer des blessures et dommages. Pour les bloc-piles compatibles voir l'information supplémentaire outil/appareil/bloc-pile/chargeur 987000-432.
- Ne pas exposer l'ouvre-porte de garage aux conditions humides ou mouillées. L'infiltration d'eau dans le produit accroît le risque de décharge électrique.
 - Ne pas maltraiter le cordon d'alimentation ou ouvre-porte de garage. Ne pas débrancher le ouvre-porte de garage en tirant sur le cordon. Tirer sur la prise pour la débrancher. Un cordon ou un ouvre-porte de garage endommagé peut présenter un risque de choc électrique. Si le cordon de l'ouvre-porte de garage est endommagé, le faire réparer par le fabricant.
 - Ne jamais laisser de liquides tels que le fluide de freins, l'essence, les produits à base de pétrole, les huiles pénétrantes, etc., entrer en contact avec les pièces en plastique. Ces produits renferment des produits chimiques pouvant endommager, affaiblir ou détruire le plastique.
 - Ne pas utiliser un ouvre-porte de garage dont la prise ou le cordon est endommagé, car ceci pourrait entraîner un court-circuit et un choc électrique. Si l'ouvre-porte de garage est endommagé, le faire remplacer par le fabricant.
 - Ne pas utiliser le ouvre-porte de garage s'il a été soumis à un choc violent, s'il est tombé ou s'il a été autrement endommagé. Faire vérifier le fonctionnement électrique par un électricien qualifié afin de déterminer si l'ouvre-porte de garage est en bon état de marche.
 - Ne pas démonter le ouvre-porte de garage. Envoyer le produit chez le fabricant si un entretien ou une réparation est nécessaire. Un remontage incorrect peut entraîner des risques de choc électrique ou d'incendie.
 - Risque de choc électrique. Ne pas toucher les parties non isolées du connecteur de sortie ou les bornes de batteries non isolés.

RÈGLES DE SÉCURITÉ CONCERNANT LE CHARGEUR

INSTRUCTIONS IMPORTANTES CONCERNANT LA SÉCURITÉ

- 1. CONSERVER CES INSTRUCTIONS - DANGER : POUR RÉDUIRE LE RISQUE D'INCENDIE OU DE DÉCHARGE ÉLECTRIQUE, VEUILLEZ SUIVRE ATTENTIVEMENT CES INSTRUCTIONS.** Ce manuel contient d'importantes instructions relatives à la sécurité et au fonctionnement des ouvre-porte de garage de GD200A.
- 2. Avant d'utiliser le chargeur de piles,** lire toutes les instructions et les mises en garde figurant sur le chargeur de pile, sur la pile et sur le produit utilisant la pile.
- 3. ⚠ ATTENTION :** Pour réduire les risques de blessure, ne charger que des piles rechargeables lithium-ion. Les piles d'autres types peuvent exploser et causer des dommages et blessures.

RENSEIGNEMENTS DE COMMUNICATION PAR WI-FI




- L'ouvre-porte de garage peut être actionné par la télécommande de l'application du téléphone intelligent.
 - La portée (distance) de communication entre l'ouvre-porte de garage et le routeur Wi-Fi peut atteindre 30 m (100 pi) depuis l'intérieur de la maison. Plusieurs facteurs dans et autour de la maison peuvent diminuer cette portée y compris le nombre d'étages, le nombre et la dimension des pièces, les meubles et matériaux de construction utilisés. Ces exemples peuvent comprendre les plafonds suspendus, le système de gaines, les gros appareils électroménagers métalliques (réfrigérateurs) et les montants métalliques. Les interférences causées par ces facteurs domestiques peuvent être résolues en ajoutant des suramplificateurs de signaux Wi-Fi pour augmenter la portée du signal sans fil du routeur situé dans la maison.
- NOTE :**
1. La portée et le fonctionnement adéquat de tout dispositif sans fil varient selon les facteurs provenant de l'intérieur ou de l'extérieur de la maison.
 2. L'ouvre-porte de garage peut ne pas émettre de signaux entre les bâtiments. Pour un garage indépendant, la communication entre l'ouvre-porte de garage et le routeur Wi-Fi peut être déficiente.
 3. Les objets métalliques (comme les montants) et le papier peint métallique peuvent nuire à la télécommunication de l'ouvre-porte de garage. Il faudra faire l'essai de l'ouvre-porte de garage après tout changement à l'intérieur de la maison ou du garage y compris les rénovations, le déplacement de meuble et l'installation de nouveaux électroménagers ou dispositifs communiquant avec le routeur Wi-Fi.
- Depuis les années 90, on utilise des algorithmes de sécurité afin de chiffrer et de protéger les signaux sans fil. Les deux algorithmes les plus fréquemment utilisés sont le WEP et le WPA/WPA2.
 - Le WEP (wired equivalent privacy) est l'algorithme de sécurité le plus ancien et le plus couramment utilisé. Malgré sa popularité, cet algorithme est le plus vulnérable au piratage. Les mots de passe de réseau utilisés pour protéger les réseaux WEP doivent comporter exactement 10 ou 26 caractères et peuvent uniquement comprendre des chiffres hexadécimaux (a à f et 0 à 9). Au regard des normes modernes, les mots de passe présentant ces contraintes ne sont pas assez complexes pour procurer une sécurité adéquate. En 2005, le Federal Bureau of Investigation a prouvé la vulnérabilité du WEP en déchiffrant facilement les mots de passe WEP à l'aide d'un logiciel accessible à tous.
En raison de sérieux problèmes de sécurité, l'ouvre-porte de votre garage ne se connectera pas aux routeurs qui utilisent la sécurité WEP. Consulter le manuel de l'utilisateur de votre routeur pour passer au type de sécurité WPA/WPA2.
 - Le WPA/WPA2 (Wi-Fi Protected Access) constitue une alternative sécuritaire au WEP. La technologie cryptographique de cet algorithme est de loin supérieure à celle de son prédécesseur. Les mots de passe WPA/WPA2 peuvent comporter jusqu'à 63 caractères et comprendre des chiffres hexadécimaux ainsi que n'importe quels caractères ASCII imprimables (a-z, 0-9, signes de ponctuation de même que certains glyphes). Bien qu'ils offrent une meilleure protection, les réseaux WPA/WPA2 peuvent tout de même présenter une certaine vulnérabilité si les mots de passe utilisés sont faibles. Toujours utiliser un mot de passe fort qui comprend des lettres majuscules et minuscules, des signes de ponctuation, des nombres et des glyphes (si possible) afin d'atténuer le risque qu'un tiers non autorisé devine ou casse le mot de passe.

AVIS :








Il est primordial que le signal sans fil provenant de votre routeur soit sécurisé. Un signal non sécurisé est susceptible de permettre un accès non autorisé aux appareils qui communiquent avec le réseau de votre résidence, y compris l'ouvre-porte de votre garage.

SYMBOLES

Les termes de mise en garde suivants et leur signification ont pour but d'expliquer le degré de risques associé à l'utilisation de ce produit.

SYMBOLE	SIGNAL	SIGNIFICATION
	DANGER :	Indique une situation extrêmement dangereuse qui, si elle n'est pas évitée, aura pour conséquences des blessures graves ou mortelles.
	AVERTISSEMENT :	Indique une situation potentiellement dangereuse qui, si elle n'est pas évitée, pourrait entraîner des blessures graves ou mortelles.
	ATTENTION :	Indique une situation potentiellement dangereuse qui, si elle n'est pas évitée, pourrait entraîner des blessures légères ou de gravité modérée.
	AVIS :	(Sans symbole d'alerte de sécurité) Indique une information importante ne concernant pas un risque de blessure comme une situation pouvant occasionner des dommages matériels.

Certains des symboles ci-dessous peuvent être utilisés sur produit. Veiller à les étudier et à apprendre leur signification. Une interprétation correcte de ces symboles permettra d'utiliser produit plus efficacement et de réduire les risques.

SYMBOLE	NOM	DÉSIGNATION / EXPLICATION
	Symbole d'alerte de sécurité	Indique un risque de blessure potentiel.
	Lire manuel d'utilisation	Pour réduire les risques de blessures, l'utilisateur doit lire et veiller à bien comprendre le manuel d'utilisation avant d'utiliser ce produit.
	Protection oculaire	Toujours porter une protection oculaire munie d'écrans latéraux marquée conforme à la norme ANSI Z87.1 lors de l'installation de ce produit.
	Électrocution / Choc électrique	Débrancher l'appareil avant de raccorder les câbles afin de réduire de risque de décharge électrique ou d'électrocution.
	Porte en mouvement	Pour éviter le risque de blessures graves ou mortelles, rester éloigné de la porte de garage lorsqu'elle est en mouvement et ne jamais tenter de courir ou marcher sous une porte de garage en mouvement.
	Symboles de recyclage	Ce produit utilise les piles de lithium-ion (Li-ion). Les réglementations locales ou gouvernementales peuvent interdire de jeter les piles dans les ordures ménagères. Consulter les autorités locales compétentes pour les options de recyclage et/ou l'élimination.
	L'utilisation de l'application requiert un routeur sans fil connecté à l'Internet.	Il ne sera pas possible d'ouvrir une porte de garage ou de recevoir d'autres informations des accessoires à l'aide de l'application du accessoire d'ouvre-porte de garage Ryobi s'il n'y a pas de connexion au réseau sans fil du domicile ou si la connexion est défectueuse.

SYMBOLES

Certains des symboles ci-dessous peuvent être utilisés sur produit. Veiller à les étudier et à apprendre leur signification. Une interprétation correcte de ces symboles permettra d'utiliser produit plus efficacement et de réduire les risques.

SYMBOLE	NOM	DÉSIGNATION / EXPLICATION
≡	Courant continu	Type ou caractéristique du courant
~	Courant alternatif	Type de courant
n_0	Vitesse à vide	Vitesse de rotation à vide
.../min	Par minute	Tours, coups, vitesse périphérique, orbites, etc., par minute
V	Volts	Tension
Hz	Hertz	Fréquence (cycles par seconde)
A	Ampères	Courant
W	Watt	Puissance

PROPOSITION 65 DE LA CALIFORNIE

AVERTISSEMENT :

Ce produit peut contenir des produits chimiques, notamment du plomb qui, selon l'État de la Californie, peuvent causer le cancer, des anomalies congénitales et d'autres dommages au système reproducteur. ***Bien se laver les mains après toute manipulation.***

CARACTÉRISTIQUES ÉLECTRIQUES

CONNEXION ÉLECTRIQUE

Ce produit est équipé d'un moteur électrique de précision. Il doit être branché sur une **alimentation 120 V, c.a. uniquement (courant résidentiel standard), 60 Hz**. Sauf lorsque le bloc-piles est installé, une baisse de tension considérable peut causer une perte de puissance et provoquer la surchauffe du moteur. Si l'produit ne fonctionne pas une fois branché, vérifier l'alimentation électrique.

INSTRUCTIONS DE MISE À LA TERRE

Voir la figure 1.

Ce produit doit être mis à la terre. En cas de problème de fonctionnement ou de panne, la mise à la terre fournit un chemin de résistance au courant, pour réduire le risque de choc électrique. Ce produit est doté d'un cordon électrique avec conducteur et fiche de mise à la terre. Le cordon doit être branché sur une prise correctement installée et mise à la terre conformément à tous les codes et réglementations locaux en vigueur.

Ne pas modifier la fiche fournie. Si elle ne peut pas être insérée dans la prise secteur, faire installer une prise adéquate par un électricien qualifié.

⚠ AVERTISSEMENT :

L'usage d'un cordon prolongateur incorrect peut présenter des risques de choc électrique. Si le cordon doit être réparé ou remplacé, ne pas connecter le fil de terre de l'outil sur une borne sous tension. Le fil à gaine verte, avec ou sans traceur jaune est le fil de terre.

Consulter un électricien qualifié ou le personnel de service si les instructions de mise à la terre ne sont pas bien comprises, ou en cas de doute au sujet de la mise à la terre.

Tout cordon endommagé doit être réparé ou remplacé immédiatement.

Ce produit est pour l'usage sur un nominal 120 circuit de volt et a un fonder bouche similaire au bouchon illustré dans la figure 1. Seulement connecter le produit à une sortie ayant la même configuration comme le bouchon. Ne pas utiliser un adaptateur avec ce produit.

DISPOSITIF INTERRUPTEUR DE DÉFAUT À LA TERRE

Voir la figure 2.

Les réceptacles de 10 A/120 V de l'ouvre-porte de garage sont protégés par un disjoncteur différentiel de fuite à la terre (DFFT) protégeant contre les risques de fuite d'énergie vers le sol.

Un exemple de courant de défaut à la terre est le courant qui passerait par une personne utilisant un appareil dont l'isolation serait défectueuse, et qui serait en même temps en contact avec une mise électrique à la terre, telle qu'un dispositif de plomberie, un sol mouillé ou la terre.

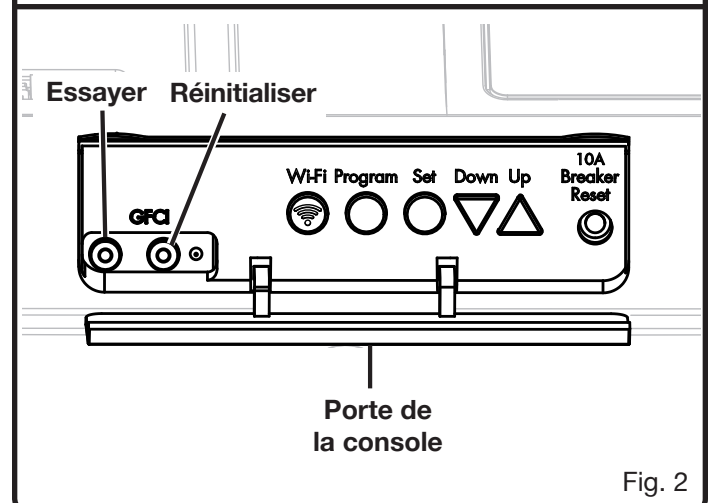
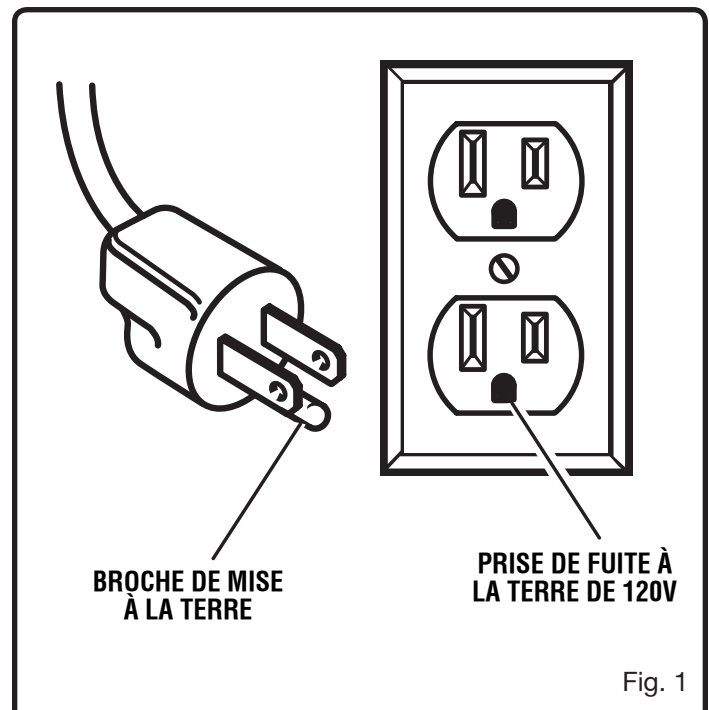
Les prises protégées par un disjoncteur de fuite à la terre ne protègent pas des court-circuits, des surcharges et des chocs électriques.

Les prises protégées par un disjoncteur de fuite à la terre peuvent être testées au moyen des boutons TEST et RESET (Réinitialisation).

Pour tester :

- Ouvrir la porte de la console.
- Appuyer sur le bouton TEST. Ceci doit faire sortir le bouton Reset (Réinitialiser).
- Pour restaurer l'alimentation, appuyer sur le bouton RESET (Réinitialiser).

Effectuer ce test chaque mois pour assurer un bon fonctionnement du disjoncteur de fuite à la terre.



CARACTÉRISTIQUES

FICHE TECHNIQUE

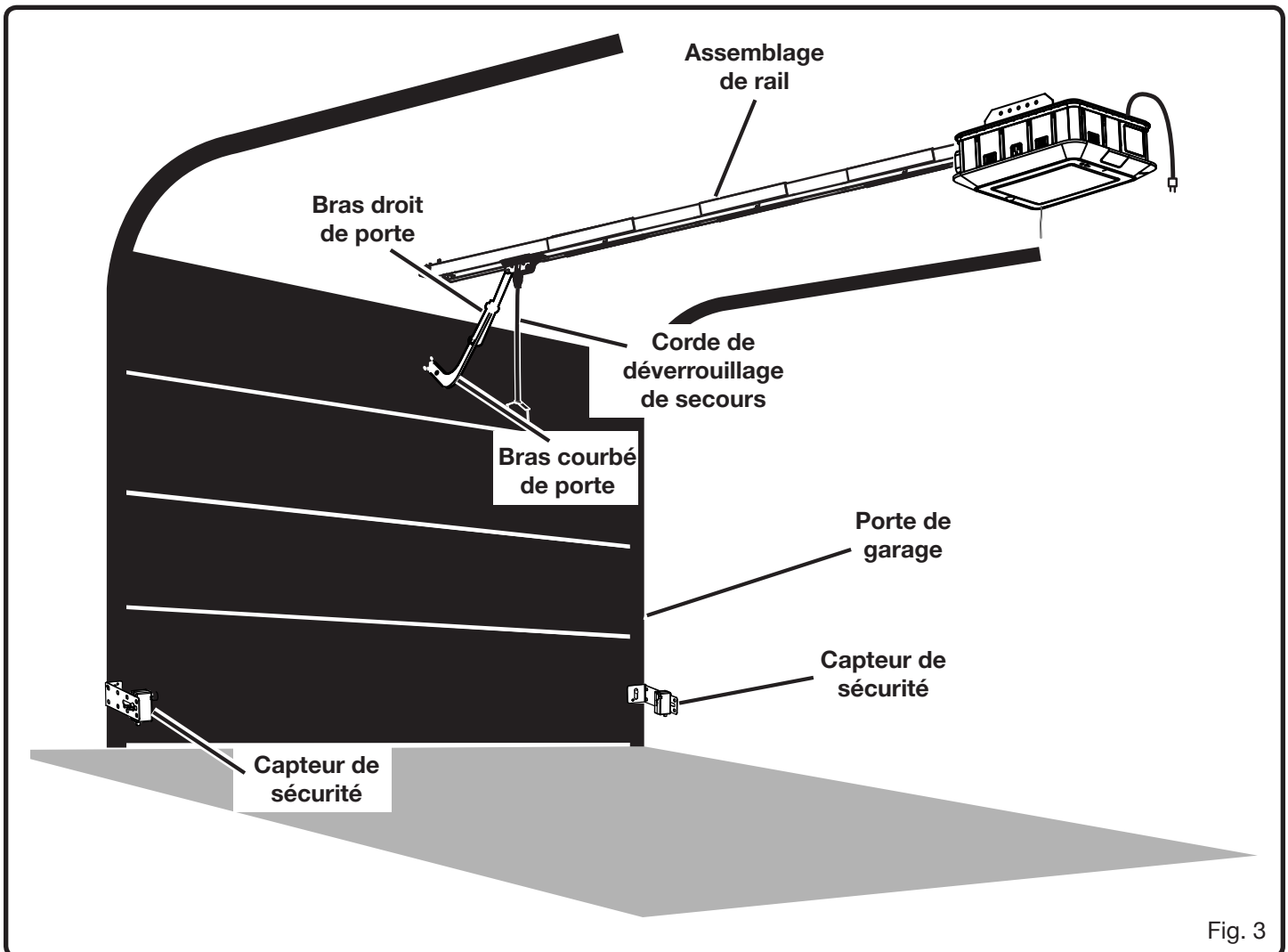
Capacité du accessoire..... jusqu'à 7
Hauteur maximum de la porte de garage 2,1 m (7 pi)*
Type d'ampoule..... lampe DEL
Entraînement À courroie
Alimentation..... 120 VCA/60 Hz ou 18V CC
Moteur 2 HPs**
Vitesse à vide (max)..... 215,9 mm (8,5 po)/sec
Longueur du rail 3,0 m (10 pi.)

Portée de détection de télécommande..... 9,1 m (300 pi.)
Portée de détection du détecteur
de mouvement 5,5 m (18 pi.)
Véhicule et maison Compatible avec HomeLink®***

* Des trousse de rallonge sont disponibles.

** L'équivalent de puissance de moteur (HPs) signifie que ce système répond aux spécifications de force de traction de RYOBI pour un ouvre-porte de garage de 2,0 HP.

*** HomeLink® et l'image de maison HomeLink® sont des marques déposées de Gentex.



CARACTÉRISTIQUES

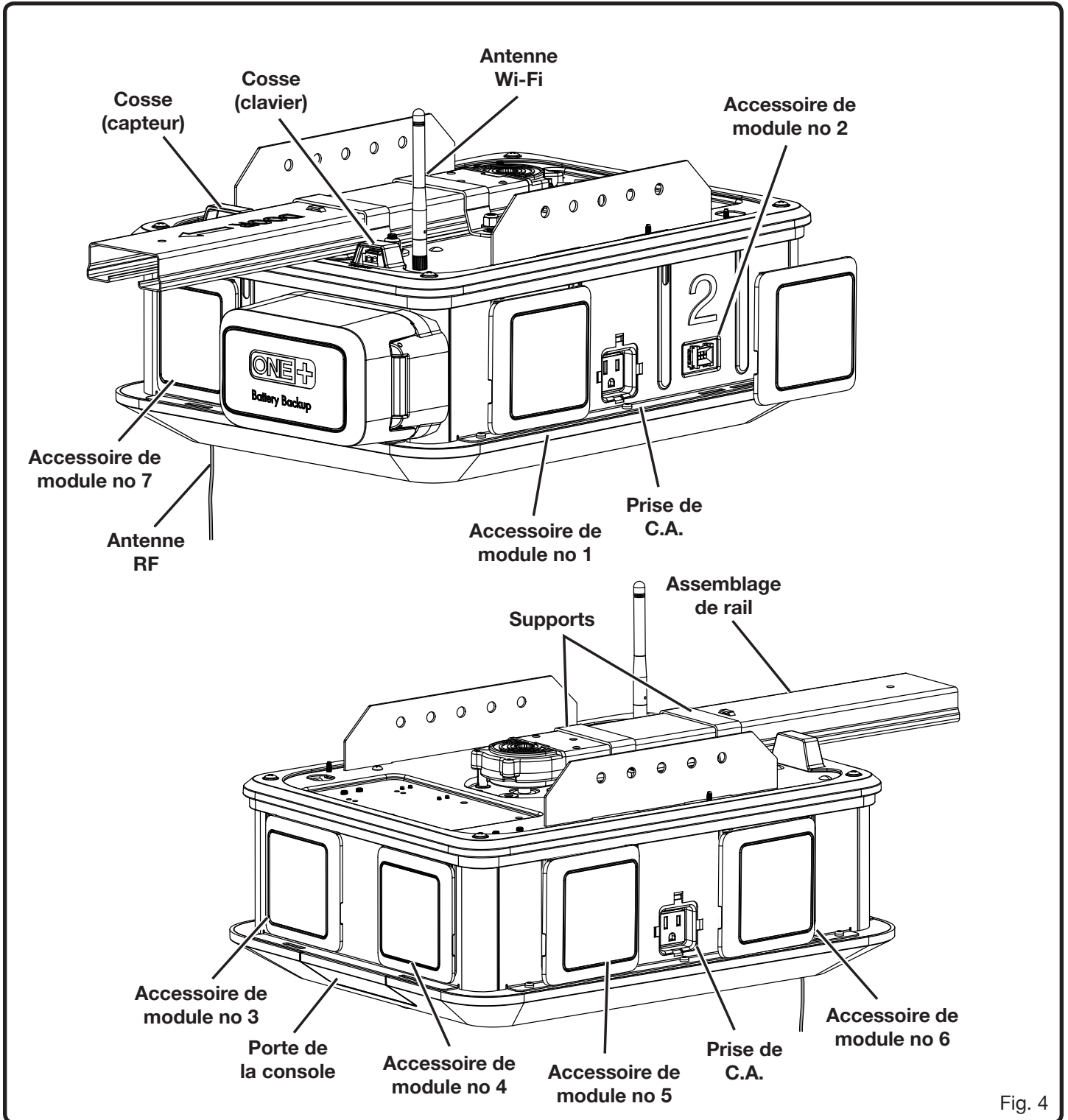


Fig. 4

CARACTÉRISTIQUES

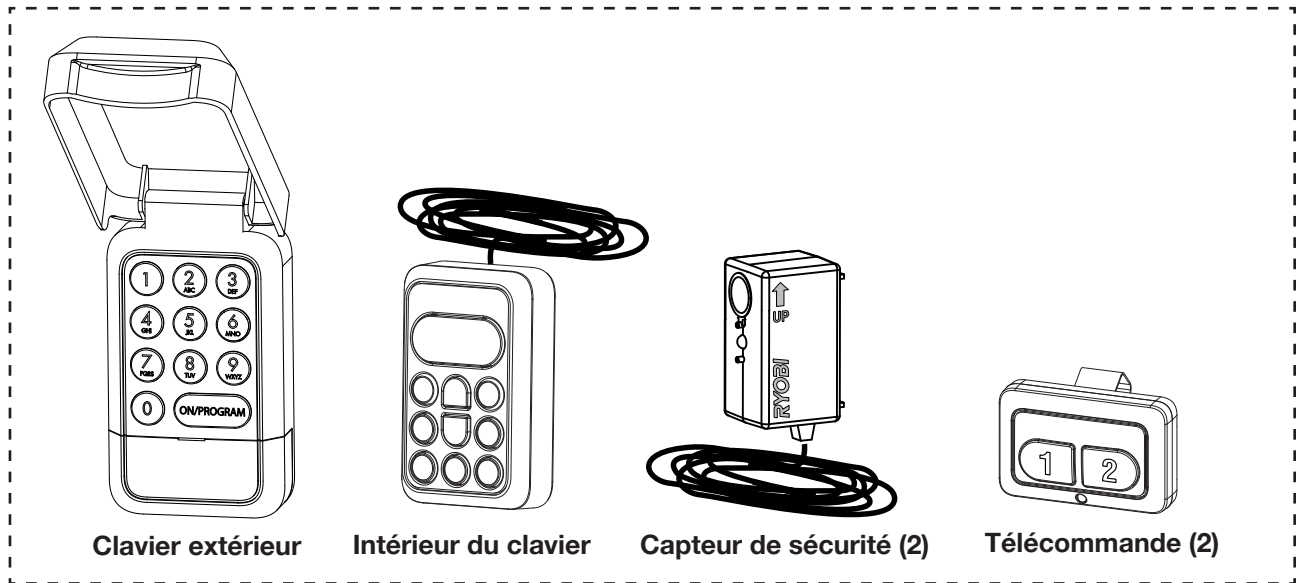
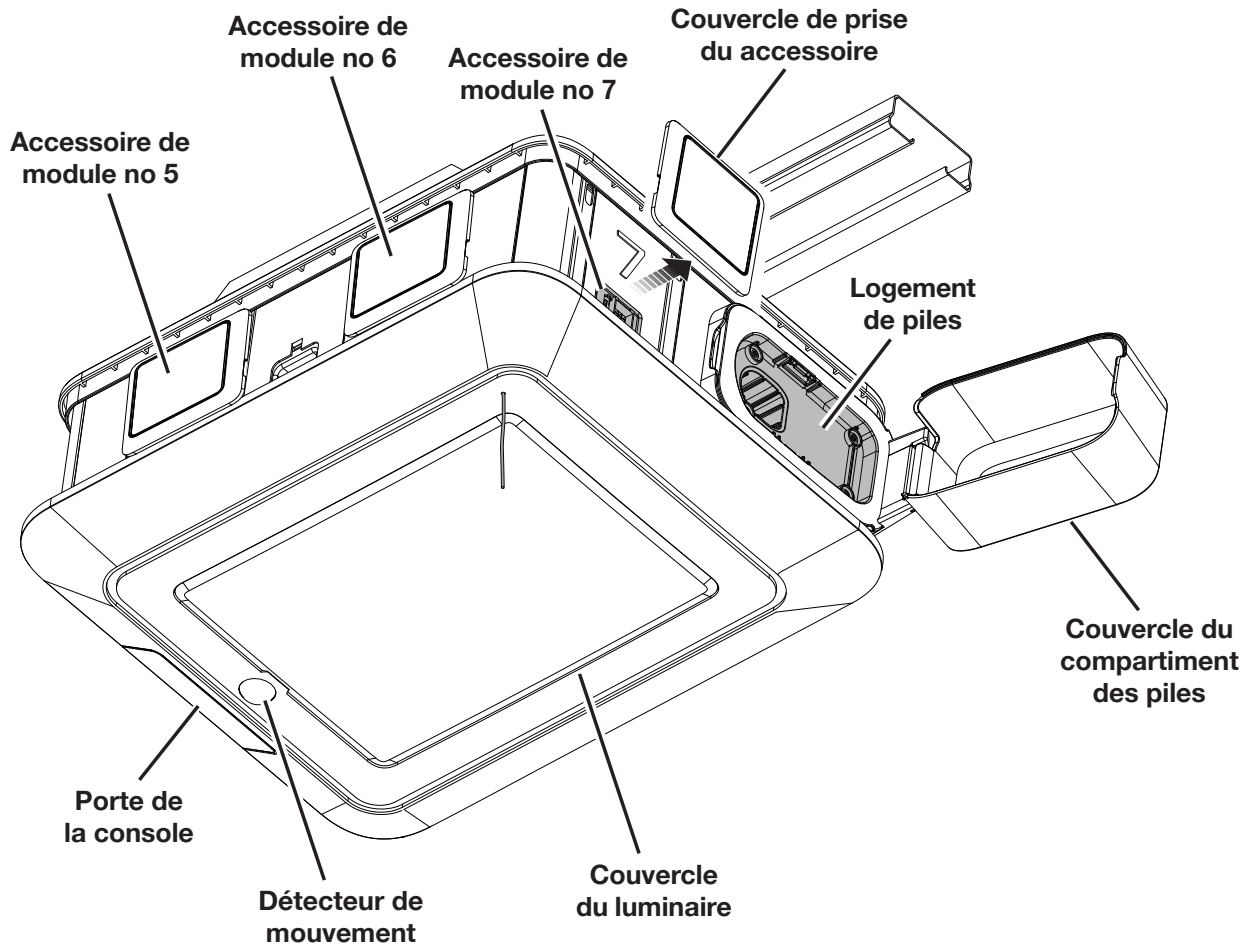


Fig. 5

CARACTÉRISTIQUES

BIEN CONNAÎTRE LE OUVERTE-PORTE DE GARAGE

Voir les figures 3 à 5.

L'utilisation sûre de ce produit exige une compréhension des renseignements figurant sur le produit et contenus dans le manuel d'utilisation, ainsi qu'une bonne connaissance du projet entrepris. Avant d'utiliser ce produit, se familiariser avec toutes ses caractéristiques et règles de sécurité.

PRISE DE C.A.

L'ouvre-porte de garage est équipé de prises DDFT de 120 VCA et d'une puissance nominale de 10 A. Ces caractéristiques sont utilisées pour faire fonctionner les accessoires CA de la porte de garage ainsi que des appareils, de l'éclairage électrique et des outils adaptés.

ANTENNES

Les antennes sans fil et RF permettent à l'ouvre-porte de garage de communiquer avec l'application du téléphone intelligent, les télécommandes et les claviers extérieurs.

SYSTÈME DE RÉOUVERTURE AUTOMATIQUE

Lorsque la porte de garage touche un objet de 38,1 mm (1 1/2 po) au-dessus du plancher du garage, le système de réouverture automatique arrête la descente de la porte et la rouvrira complètement.

PILE DE SECOURS

Si l'appareil n'est pas branché à une source d'alimentation CA, l'ouvre-porte de garage et les ampoules DEL peuvent être mis en marche par des piles au lithium-ion de 18 V de RYOBI ONE+™.

TÉLÉCOMMANDES

Les télécommandes pratiques permettent la mise en marche de l'ouvre-porte de garage jusqu'à une distance de 91,4 m (300 pi). Ces télécommandes sont équipées de pinces pour pare-soleil afin de les fixer sur le pare-soleil du véhicule.

CHARGEUR DE PILES

Le chargeur de pile intégré accepte les piles de 18 volts au lithium-ion RYOBI ONE+™.

SYSTÈME D'ENTRAÎNEMENT À COURROIE

Ce produit est équipé d'un système d'entraînement à courroie plus silencieux que les modèles à transmission à chaîne classiques.

DISJONCTEUR DE CIRCUIT

Le disjoncteur est fourni afin de protéger les accessoires CA contre les surcharges de courant. Le disjoncteur c.a. peut être réinitialisé en appuyant sur le bouton de réinitialisation du disjoncteur.

CORDE DE DÉVERROUILLAGE DE SECOURS

En cas d'urgence ou de piégeage, tirer la corde de déverrouillage de secours pour pouvoir ouvrir manuellement une porte de garage fermée.

COMPATIBILITÉ AVEC HOMELINK®

Les caractéristiques de l'ouvre-porte de garage peuvent être commandées par les véhicules et les maisons équipés de systèmes de commandes HomeLink®.

HomeLink® et l'image de maison HomeLink® sont des marques déposées de Gentex.

INTÉRIEUR DU CLAVIER

Le clavier intérieur est installé à l'intérieur du garage et peut être utilisé pour ouvrir ou fermer la porte de garage, activer les prises de accessoire, allumer, éteindre les ampoules DEL et verrouiller l'utilisation faite par télécommandes ou applications du téléphone intelligent.

LAMPES À DEL

Les ampoules DEL sont situées sous le couvercle du luminaire et s'allument dès la mise en marche du moteur, lorsque le bouton **LIGHT** (☀) (éclairage) du clavier intérieur est enfoncé et lorsqu'un mouvement est détecté. Pour éteindre les ampoules DEL, appuyer sur le bouton **LIGHT** (☀) (éclairage).

NOTE : Par défaut, les ampoules DEL s'allumeront pendant trois (3) minutes après avoir appuyé sur le bouton **LIGHT** (☀) (éclairage). La durée peut être réglée par incréments d'une (1) minute, entre trois (3) et dix (10) minutes, en utilisant l'application du système de accessoire pour ouvre-porte de garage RYOBI.

PRISES DE ACCESSOIRE

L'ouvre-porte de garage est équipé de sept (7) prises dédiées aux accessoires CC pour porte de garage.

DÉTECTION DE MOUVEMENT

Le détecteur à infrarouge passif allume les ampoules DEL dès qu'un mouvement est détecté dans le garage.

NOTE : Le détecteur de mouvement se désactive pendant dix (10) secondes chaque fois que le bouton **LIGHT** (☀) (éclairage) est enfoncé.

ASSEMBLAGE DE RAIL

La conception ergonomique du rail facilite et accélère l'assemblage et l'installation.

COMPATIBILITÉ AVEC TÉLÉPHONE INTELLIGENT

L'ouvre-porte de garage peut être mis en marche à distance en utilisant l'application du Système de accessoire pour ouvre-porte de garage RYOBI du téléphone intelligent. Pour obtenir tous les détails, visiter le site ryobitools.com ou télécharger l'application depuis **App Store** ou **Google Play Store**.

CAPTEURS DE SÉCURITÉ

L'ouvre-porte de garage est livré avec deux capteurs émettant un faisceau lumineux invisible dans le sens transversal du garage. Si un objet traverse la trajectoire du faisceau pendant que la porte se ferme, la porte s'arrêtera automatiquement et se rouvrira complètement.

MODE D'ABSENCE

Pour activer et quitter le mode d'absence, appuyer sur le bouton **LOCK** (🔒) (verrou) du clavier intérieur. Lorsque le mode d'absence est activé, la commande de l'ouvre-porte de garage ne peut s'effectuer qu'avec le clavier intérieur ou l'application du téléphone intelligent.

CLAVIER EXTÉRIEUR SANS FIL

Le clavier extérieur sans fil peut être utilisé pour ouvrir et fermer la porte de garage. Par sécurité, un code d'identification personnalisé à quatre (4) chiffres peut être configuré.

PIÈCES DÉTACHÉES

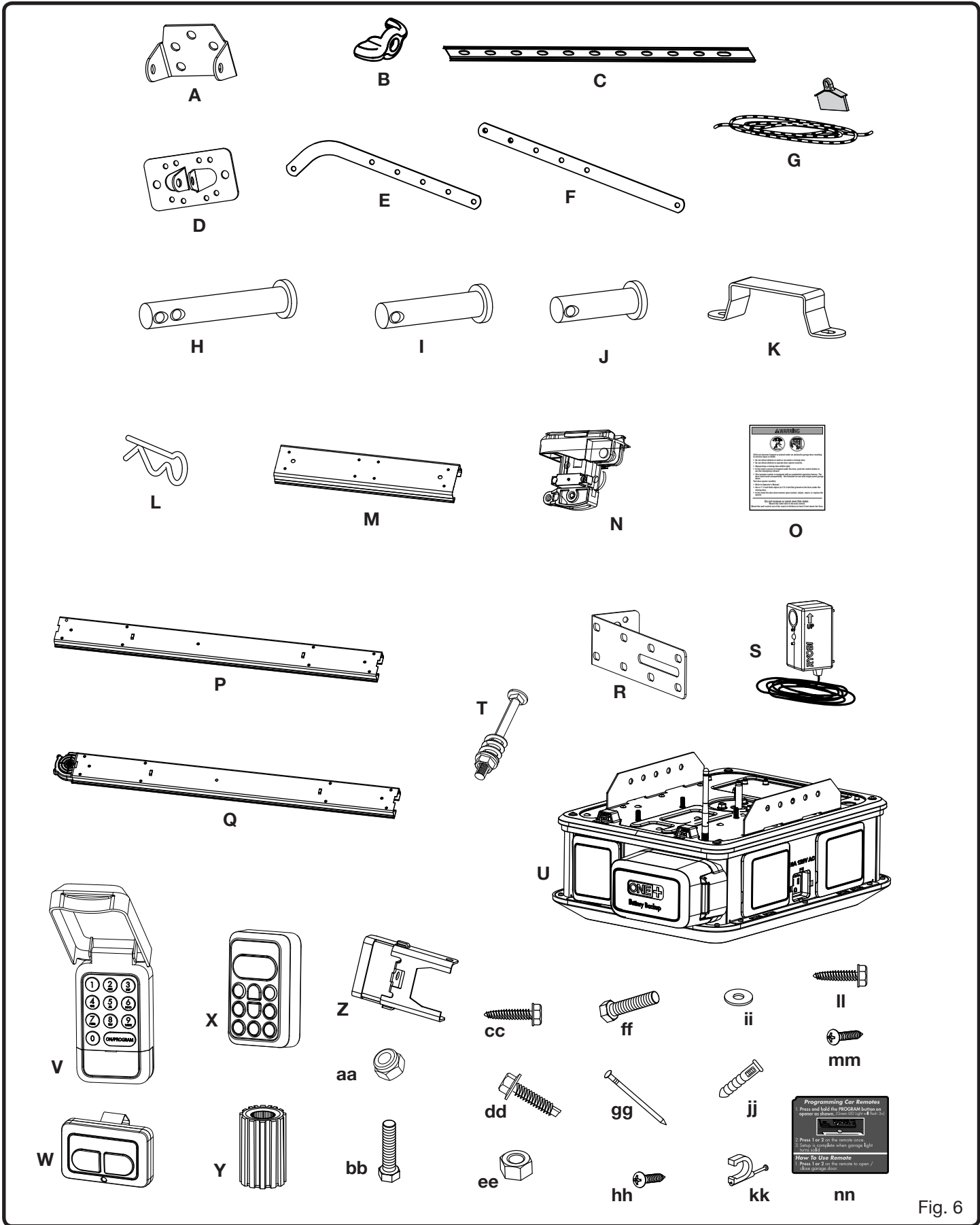


Fig. 6

PIÈCES DÉTACHÉES

Les composants suivants sont inclus avec votre ouvre-porte de garage :

A.	Support de solive.....	1
B.	Écrou à oreilles	2
C.	Support de montage.....	2
D.	Support de porte	1
E.	Bras courbé de porte.....	1
F.	Bras droit de porte.....	1
G.	Corde de déverrouillage de secours.....	1
H.	Grand axe d'assemblage.....	1
I.	Moyen axe d'assemblage.....	1
J.	Petit axe d'assemblage	2
K.	Support.....	2
L.	Goupille de sûreté.....	3
M.	Manchon.....	3
N.	Chariot externe	1
O.	Étiquette d'avertissement de piégeage (anglaise, française, et espagnole).....	3
P.	Rail de support	3
Q.	Rail de fin	1
R.	Support de capteur.....	1
S.	Capteur de sécurité	2
T.	Ensemble de tige de poulie	1
U.	Moteur	1
V.	Clavier extérieur.....	1
W.	Télécommande	2
X.	Intérieur du clavier	1
Y.	Roue dentée	1
Z.	Renfort avant	1
aa.	Écrou (7/16 po)	10
bb.	Boulon (7/16 po x 3/4 po).....	6
cc.	Tire-fond (7/16 po x 1-1/2 po)	4
dd.	Vis auto-taraudeuse.....	2
ee.	Écrou de blocage (1/2 po)	2
ff.	Boulon (1/2 po. x 1 po).....	2
gg.	Clous (2 po).....	2
hh.	Vis (1 po, tête phillips).....	2
ii.	Rondelle (7/16 po).....	6
jj.	Ancrage à cloison sèche.....	2
kk.	Broches isolées	30
ll.	Tire-fond (1/2 po x 1-1/2 po)	2
mm.	Vis (1-1/2 po, tête phillips)	2
nn.	Étiquette d'instructions (anglaise, française, et espagnole)	3

OUTILS NÉCESSAIRES

Les outils suivants (non fournis ou dessiné pour escalader) sont nécessaires pour l'assemblage et l'alignement :

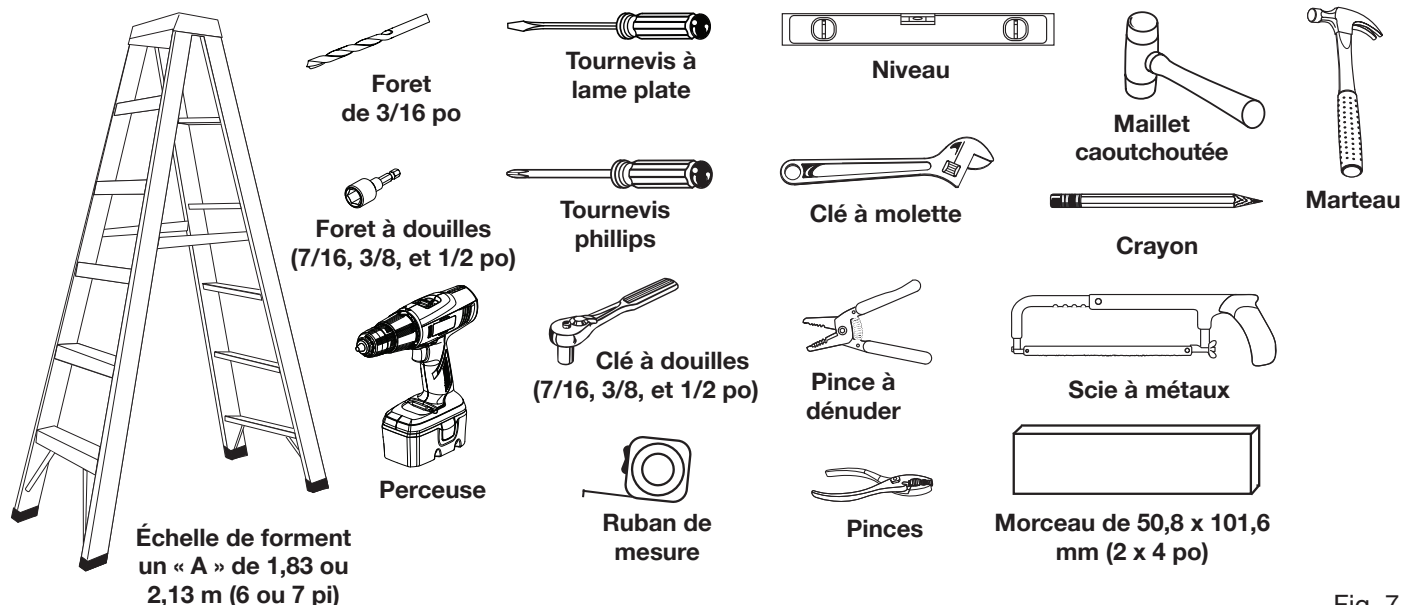


Fig. 7

ASSEMBLAGE

DÉBALLAGE

Ce produit a été expédié complètement assemblé.

- Avec précaution, sortir l'outil et les accessoires de la boîte. S'assurer que toutes les pièces figurant sur la liste de contrôle sont incluses.

NOTE : Cet outil est lourd. Pour éviter des problèmes lombaires soulever avec les jambes, pas avec le dos et demander de l'aide lorsque nécessaire.

⚠ AVERTISSEMENT :

Ne pas utiliser le produit si, en le déballant, vous constatez que des éléments figurant dans la liste des pièces détachées sont déjà assemblés. Certaines pièces figurant sur cette liste n'ont pas été assemblées par le fabricant et exigent une installation. Le fait d'utiliser un produit qui a été assemblé de façon inadéquate peut entraîner des blessures.

- Examiner soigneusement l'unité pour s'assurer que rien n'a été brisé ou endommagé en cours de transport.
- Ne pas jeter les matériaux d'emballage avant d'avoir soigneusement examiné le produit et vérifié qu'il fonctionne correctement.
- Si des pièces manquent ou sont endommagées, appeler le 1-877-205-5714 pour obtenir de l'aide.

NOTE : Le étiquette d'instructions sur l'appareil sont en anglais seulement. Les clients ne parlant que le français ou l'espagnol,

veuillez retirer le étiquette en anglais de l'appareil et apposer le étiquette traduite souhaitées au même endroit.

⚠ AVERTISSEMENT :

Si des pièces manquent ou sont endommagées, ne pas utiliser ce produit avant qu'elles aient été remplacées. Le fait d'utiliser ce produit même s'il contient des pièces endommagées ou s'il lui manque des pièces peut entraîner des blessures graves.

⚠ AVERTISSEMENT :

Ne pas essayer de modifier ce produit ou de créer des accessoires non recommandés pour ce produit. De telles altérations ou modifications sont considérées comme un usage abusif et peuvent créer des conditions dangereuses pouvant entraîner des blessures graves.

⚠ AVERTISSEMENT :

Ne pas brancher sur le secteur avant d'avoir terminé l'assemblage. Le non respect de cet avertissement peut causer un démarrage accidentel, entraînant des blessures graves.

ASSEMBLAGE

⚠ AVERTISSEMENT :

Toujours porter une protection oculaire munie d'écrans latéraux marquée conforme à la norme ANSI Z87.1 lors de l'installation de ce produit. Ne pas suivre cette directive pourrait faire que des objets soient projetés dans vos yeux et causent de graves blessures.

AVIS :

De nombreuses illustrations de ce manuel ne montrent que des parties de la ouvre-porte de garage. Cette présentation a été choisie pour montrer clairement les différents aspects de la produit. Ne jamais faire fonctionner l'ouvre-porte de garage sans avoir fixé fermement toutes les pièces et que ces dernières sont en bon état.

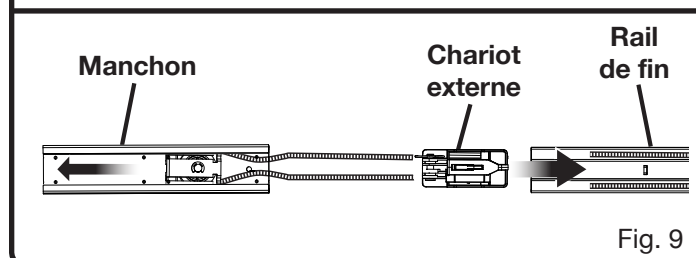
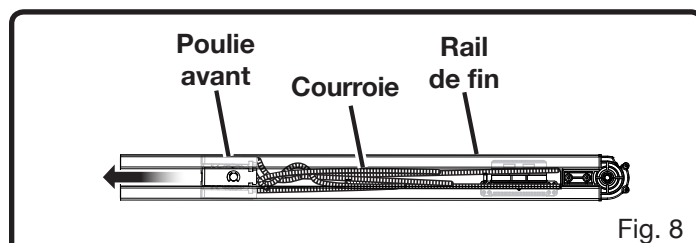
⚠ AVERTISSEMENT :

Confirmez que le chariot intérieur est bien dans le sens indiqué sur la figure 10. Un chariot intérieur mal installé peut entraîner le déplacement en sens contraire de l'ouvre-porte de garage et le mouvement imprévu de la porte de garage pourrait causer la mort ou des blessures graves.

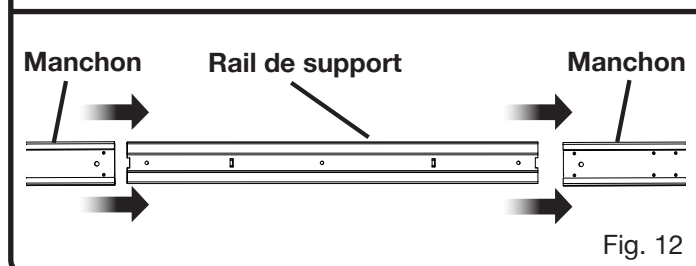
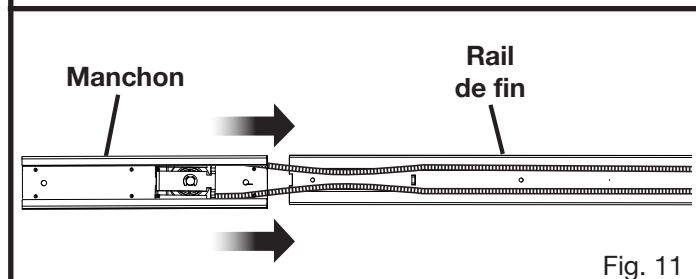
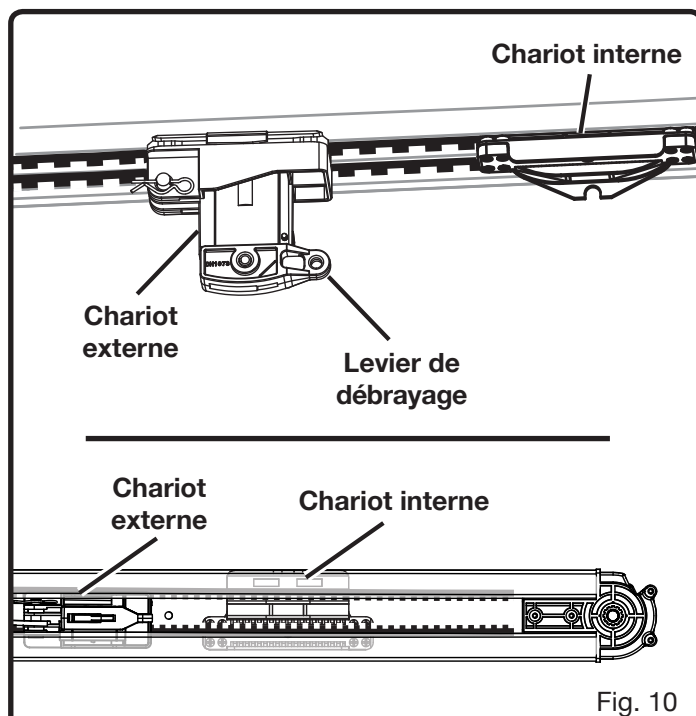
ASSEMBLAGE DES RAILS

Voir les figures 8 à 17.

- Localiser les éléments suivantes :
 - Renfort avant
 - Rail de fin
 - Rail de support (3)
 - Manchons (3)
 - Ensemble de tige de poulie
 - Chariot externe
- Retirer les attaches autobloquantes du rail et de la poulie.

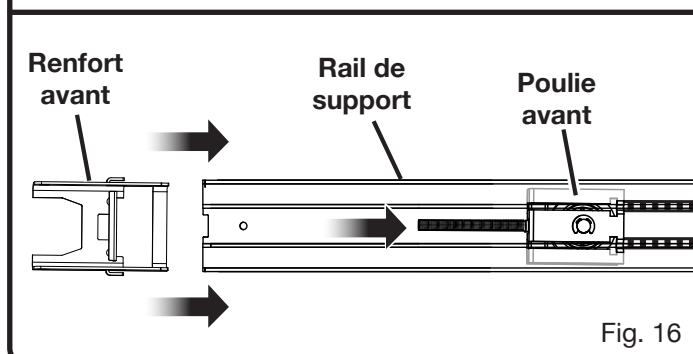
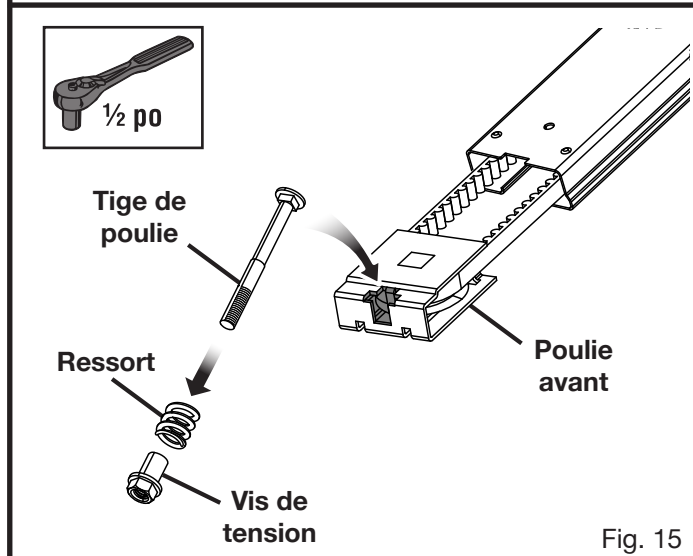
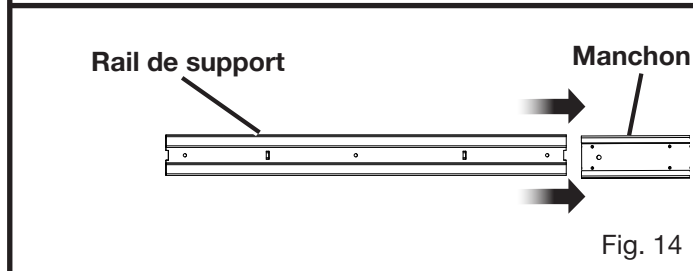
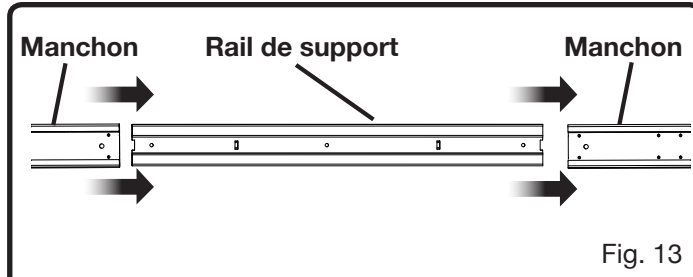


- Tirer la poulie avant et la courroie dans le rail de fin et dans le manchon.
- Glisser le chariot externe dans le rail de fin.
- Abaisser le levier de débrayage et déplacer le chariot extérieur vers le chariot intérieur jusqu'à qu'ils sont enclenchés.
- Insérer le bord de l'extrémité du rail dans le manchon. Glisser ensemble jusqu'à ce que le rail s'enclenche. Si le rail ne peut être inséré à la main, tenter de taper doucement avec un maillet en caoutchouc jusqu'à ce que les deux pièces s'emboîtent fermement et s'enclenchent. **Prendre soin de ne pas pincer ou endommager la courroie.**
- Répéter la procédure pour fixer le rail de support, le deuxième manchon, le deuxième rail de support, le troisième manchon, puis le troisième de support. Lorsqu'assemblés correctement, les rails ne doivent pas se séparer facilement lorsqu'ils sont tirés.

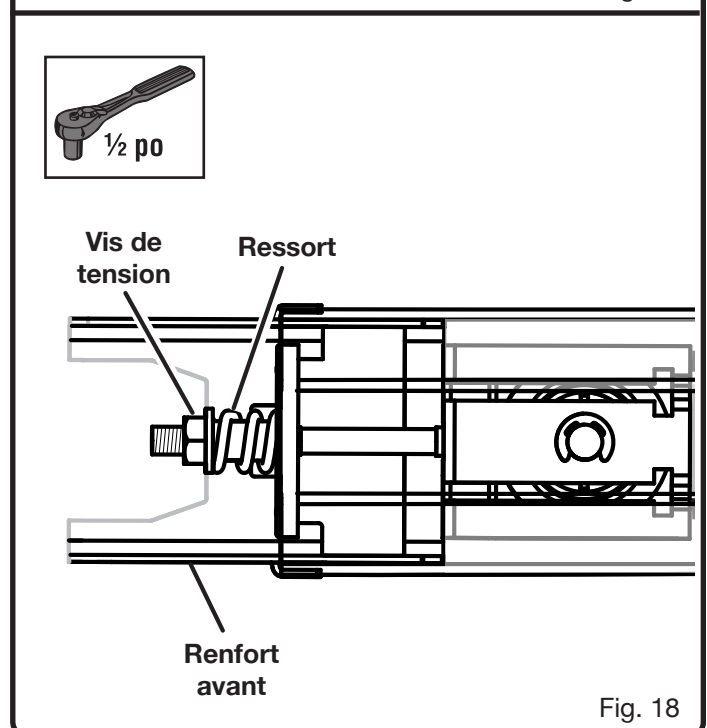
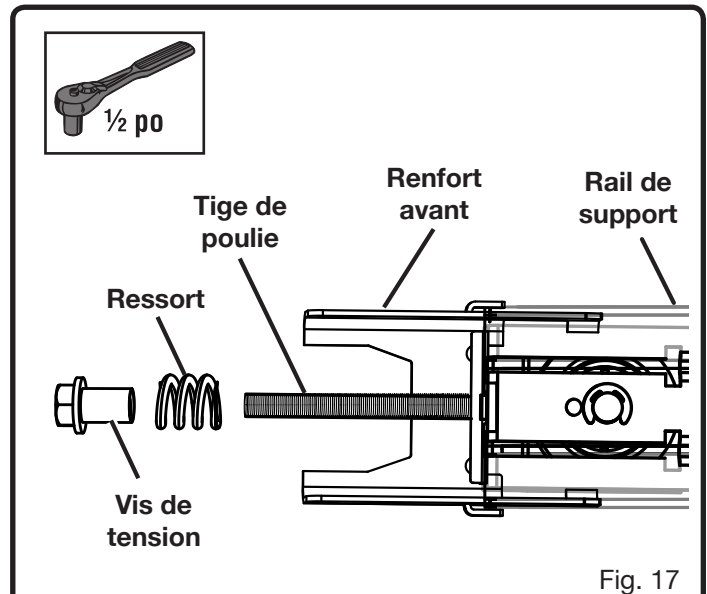


ASSEMBLAGE

- Tirer la poulie avant et la courroie au-dessus de l'assemblage du rail.
- Tourner la vis de tension de la tige de poulie vers la gauche pour desserrer. Retirer la vis de tension et le ressort de la tige de poulie.
- Insérer la tige de poulie dans la poulie avant.
NOTE : S'assurer que le tête de tige est complètement appuyé sur la poulie.
- Retourner la poulie avant dans l'assemblage du rail.



- Insérer le bord du tirant avant dans l'assemblage. Glisser ensemble jusqu'à ce que le tirant s'enclenche. Si le tirant ne peut être inséré à la main, tenter de taper doucement avec un maillet en caoutchouc jusqu'à ce qu'il soit fermement inséré.
- Tirer la poulie avant vers l'avant et glisser la tige dans le trou du tirant.
- Installer le ressort et la vis de tension sur la tige de poulie.
- Déplacer les chariots intérieur et extérieur à mi-distance de l'assemblage de rail.

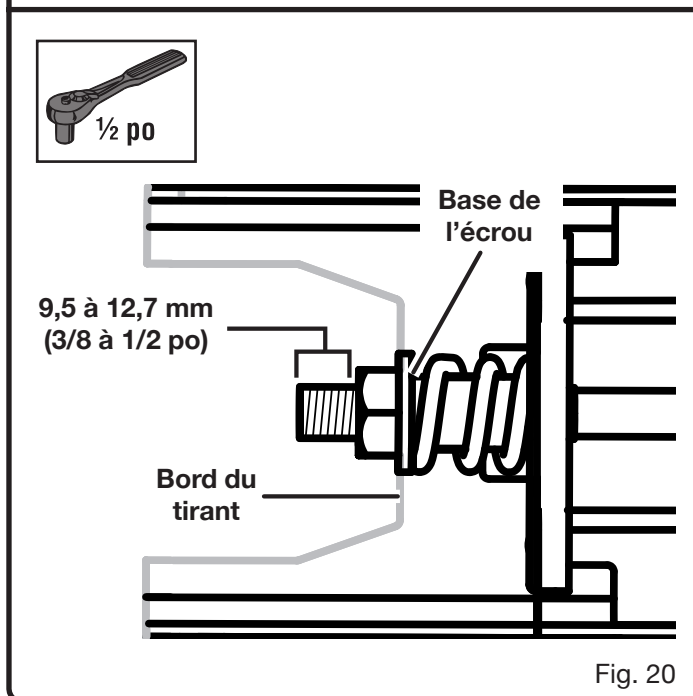
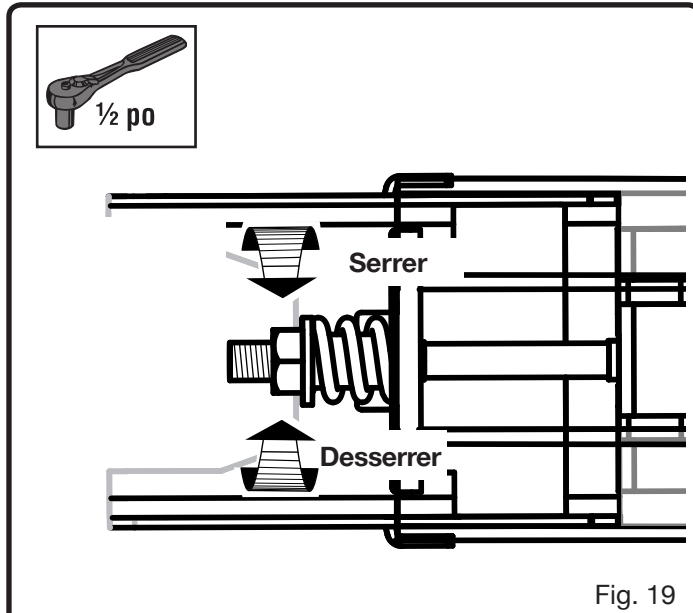


ASSEMBLAGE

RÉGLAGE DE LA TENSION DE COURROIE

Voir les figures 18 à 21.

- À l'aide d'une clef de 1/2 po, tourner la vis de tension vers la droite pour serrer la courroie ou vers la gauche pour relâcher la tension. Tourner la vis de manière à ce que les filets soient exposés sur 9,5 à 12,7 mm (3/8 à 1/2 po) au-dessus ou jusqu'à ce que la base de la vis soit alignée au bord du tirant.
- Lorsque la tension est correcte, il devrait y avoir un espace de 3,2 mm (1/8 po) entre la courroie et les bords du rail, près du centre de l'assemblage de rail.



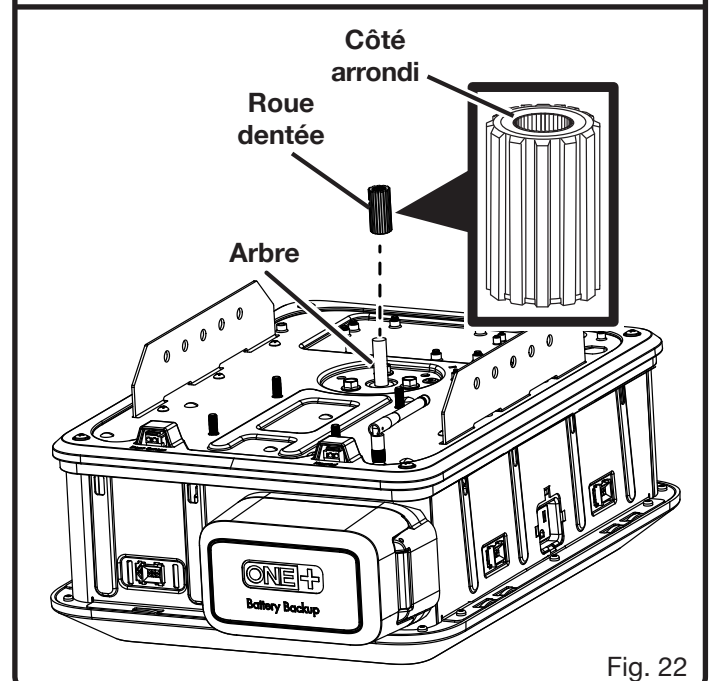
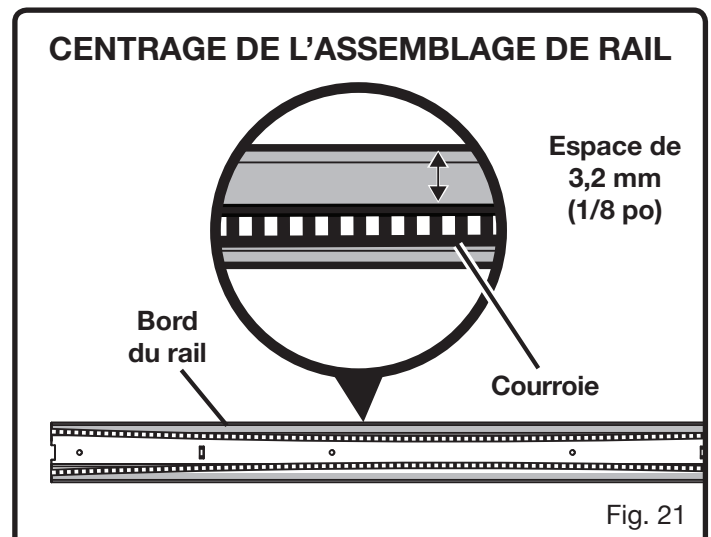
FIXATION DE L'ASSEMBLAGE DE RAIL AU MOTEUR

Voir les figures 22 à 25.

- Localiser les éléments suivantes :

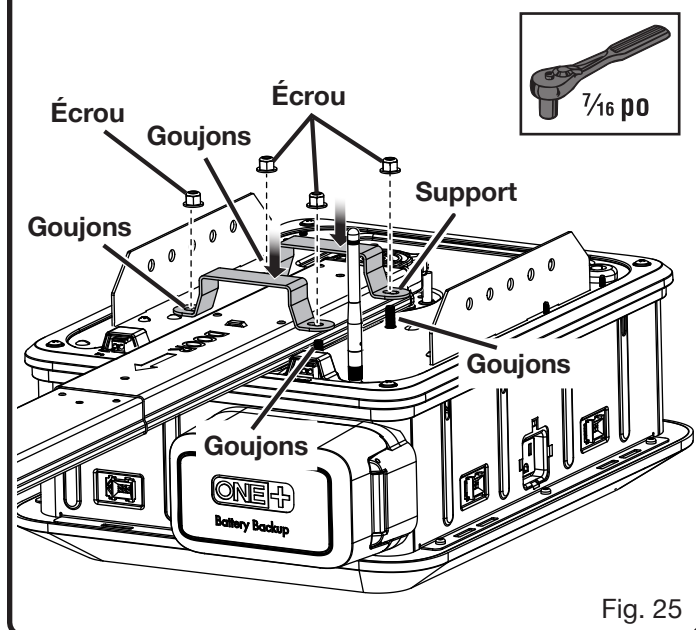
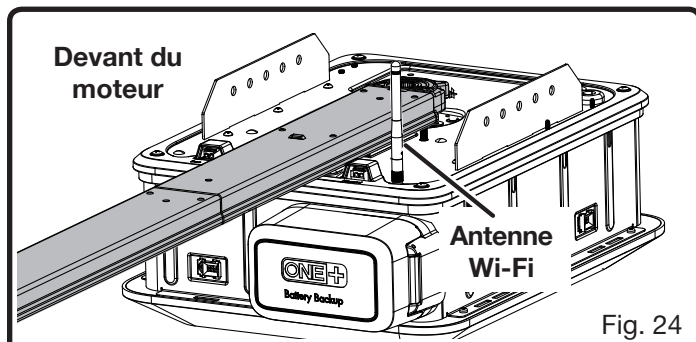
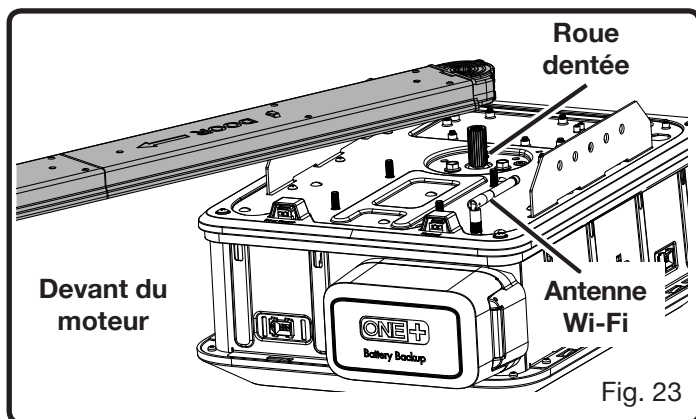
Moteur
Support (2)
Écrou (7/16 po) [4]
Roue dentée
Assemblage de rail

- Déposer le moteur sur une serviette ou le matériau d'emballage en plaçant le couvercle du luminaire en dessous. Ne pas placer l'unité sur des surfaces dures directement, puisque cela peut endommager le couvercle du luminaire et détecteur de mouvement.



ASSEMBLAGE

- Retirer le ruban fixant l'antenne WiFi et la relever à la verticale pour assurer un meilleur signal WiFi.
NOTE : S'assurer que l'antenne est bien vissée dans la tête mécanique.
- Placer la roue dentée sur l'arbre du moteur en positionnant le côté rond de la roue vers le haut.
- Tenir l'assemblage de rail au-dessus du moteur et la flèche dirigée vers le devant du moteur et la porte de garage.
- Tourner l'assemblage de rail jusqu'à ce que l'ouverture du rail soit alignée avec la roue dentée.
- Abaisser l'extrémité du rail dans la roue dentée et le profilé (extrémité ouverte) dirigé vers le bas. Tourner lentement le rail pour corriger l'orientation pendant qu'il est abaissé en position.
- Lorsqu'installé correctement, les dents de la roue doivent être engagées dans l'assemblage de rail et le rail doit reposer à plat sur le moteur.
- Installer les supports sur le dessus des montants et sur l'extrémité du rail.
- Fixer les écrous aux montants en utilisant une douille de 7/16 po. **No serrez pas trop.**



INSTALLATION

INSTRUCTIONS D'INSTALLATION IMPORTANTES

⚠ AVERTISSEMENT : **POUR RÉDUIRE LE RISQUE DE BLESSURES GRAVES OU LA MORT :**

1. LIRE ET SUIVRE TOUTES LES INSTRUCTIONS D'INSTALLATION.
2. Installer seulement sur une porte de garage bien équilibrée. Une porte de garage déséquilibrée représente un risque de blessures graves. Communiquer avec un réparateur qualifié pour effectuer les réparations de câbles, d'assemblages de ressort et autre quincaillerie avant d'installer cet ouvre-porte.
3. Retirer toutes les cordes, retirer ou réparer les verrous inopérants de la porte de garage avant d'installer cet ouvre-porte.
4. Lorsque possible, installer l'ouvre-porte à une hauteur de 2,1 m (7 pi) ou plus au-dessus du sol. Pour les produits équipés d'un déverrouillage de secours, monter le déverrouillage de secours pour qu'il soit à portée de main, mais à au moins 1,8 m (6 pi) au-dessus du sol pour éviter de toucher les véhicules et causer un déverrouillage accidentel.
5. Ne pas raccorder l'ouvre-porte à une source d'alimentation électrique tant que l'instruction n'est pas indiquée.
6. Installer le bouton de commande : (a) à la vue de la porte, (b) à au moins 1,5 m (5 pi) de hauteur de manière à ce que les enfants ne puissent l'atteindre, et (c) éloigné de toutes les pièces mobiles de la porte.
7. Apposer l'étiquette d'avertissement de piégeage près du bouton de commande et bien en vue. Installer le pictogramme du déverrouillage de secours. Apposer le pictogramme sur ou près du déverrouillage de secours.
8. Après avoir installé l'ouvre-porte, la porte de garage doit se rouvrir au contact d'un objet d'une épaisseur de 38,1 mm (1 1/2 po) (ou un morceau de bois de 50,8 x 101,6 mm [2 x 4 po] déposé à plat) sur le sol.
9. **AVERTISSEMENT :** Afin de réduire le risque de blessures, activer uniquement la caractéristique de fonctionnement imprévu pour une installation effectuée sur une porte sectionnelle.

⚠ AVERTISSEMENT :

Afin de réduire le risque de blessures, activer uniquement de l'application pour système de accessoire pour ouvre-porte de garage de RYOBI pour une installation effectuée sur une porte sectionnelle.

⚠ AVERTISSEMENT :

Ne branchez pas l'ouvre-porte de garage à une source d'alimentation pendant l'installation, à moins qu'on vous indique précisément de le faire. Le non respect de cet avertissement peut causer un démarrage accidentel, entraînant des blessures graves.

⚠ AVERTISSEMENT :

Pour éviter les blessures graves, s'assurer que l'ouvre-porte de garage est fixé à des poutres. Ne jamais monter l'appareil sur une cloison sèche ou des serpentins plafonniers de faux plafonds.

⚠ AVERTISSEMENT :

Toujours porter une protection oculaire munie d'écrans latéraux marquée conforme à la norme ANSI Z87.1 lors de l'installation de ce produit. Si cette précaution n'est pas prise, des objets peuvent être projetés dans les yeux et causer des blessures graves.

AVIS :

De nombreuses illustrations de ce manuel ne montrent que des parties de la ouvre-porte de garage. Cette présentation a été choisie pour montrer clairement les différents aspects de la produit. Ne jamais faire fonctionner l'ouvre-porte de garage sans avoir fixé fermement toutes les pièces et que ces dernières sont en bon état.

⚠ AVERTISSEMENT :

Si vous croyez être dans l'impossibilité d'effectuer les étapes d'installation décrites dans ce manuel, communiquer avec un installateur qualifié pour faire installer l'ouvre-porte. Une installation d'ouvre-porte de garage mal effectuée représente un risque de blessures graves ou mortelles ou des dommages aux biens.

INSTALLATION

INSPECTER L'ÉTAT DE LA PORTE ET IDENTIFIER LE TYPE DE RESSORT

Voir la figure 26 a 28.

⚠ AVERTISSEMENT :

Faire réparer ou remplacer la porte si cette dernière est difficile à déplacer, se tord ou est déséquilibrée. Une porte de garage déséquilibrée ou endommagée risque de ne pas se rouvrir sur demande et représente un risque de blessures graves ou mortelles.

AVIS :

L'ouvre-porte de garage ne fonctionnera pas correctement s'il est installé sur une porte de garage déséquilibrée.

- Retirer toutes les cordes fixées à la porte de garage.
- Rendre inopérants tous les verrous de porte.
- Soulever et abaisser la porte pour s'assurer qu'elle se déplace facilement.
- S'assurer que la porte est équilibrée. Soulever la porte pour l'ouvrir jusqu'à sa mi-distance puis la relâcher. La porte qui reste dans cette position sans bouger signifie que cette dernière est équilibrée.

NOTE : Pour les portes de garage à panneau simple, l'équilibre peut être vérifié sur deux autres positions. Soulever la porte jusqu'à ce qu'elle soit presque entièrement ouverte (environ la hauteur des épaules) puis la relâcher. La porte qui s'ouvre complètement signifie que cette dernière est équilibrée. Abaisser la porte jusqu'à ce qu'elle soit presque entièrement fermée (environ la hauteur des genoux). La porte qui se ferme complètement signifie que cette dernière est équilibrée.

- Une porte qui ne se déplace pas librement, se plie ou est déséquilibrée indique un problème avec la porte, les ressorts de porte (ressorts de torsion et de traction), ou les composants de ressort de la porte. Faire réparer la porte de garage ou ses ressorts par un réparateur qualifié avant d'installer l'ouvre-porte de garage.

⚠ AVERTISSEMENT :

Ne jamais tenter de desserrer, régler ou retirer les ressorts de la porte (ressort de torsion et de traction), les composants du ressort de porte ou toutes surfaces sur lesquelles sont installés ces articles. Ces articles sont exposés à une tension extrême et toute altération représente un risque de blessures graves ou mortelles et/ou des dommages aux biens.

- Commencer l'installation de l'ouvre-porte de garage seulement si la porte de garage bouge librement et est équilibrée.

Position
d'ouverture à
mi-distance

Porte de
garage
sectionnelles

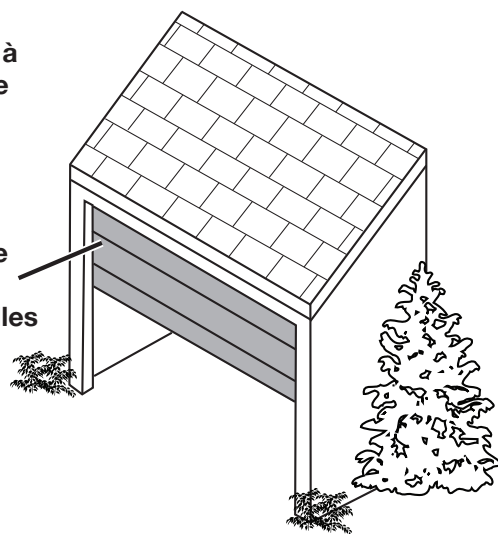


Fig. 26

Position
d'ouverture à
mi-distance

Porte de garage à
panneau simple

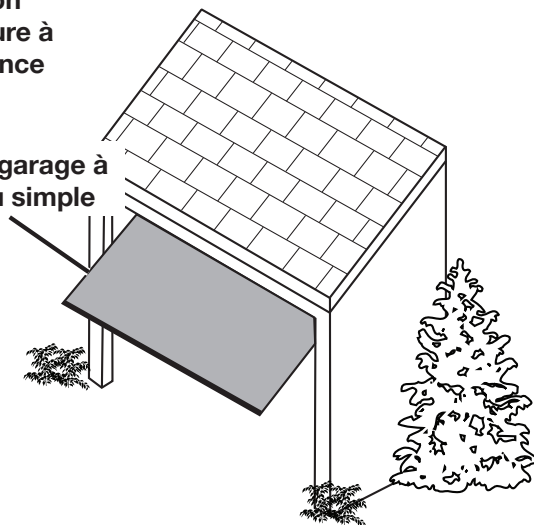


Fig. 27

Ressort de torsion

Ressort de rallonge

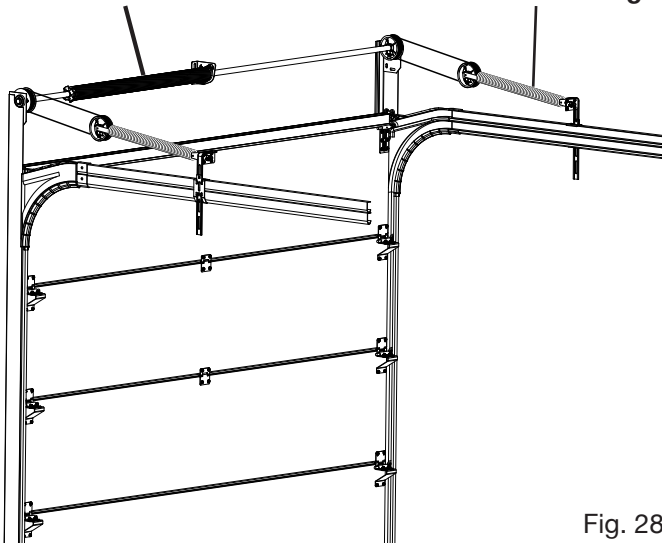


Fig. 28

INSTALLATION

INSTALLATION DU SUPPORT DE SOLIVE

Voir les figures 29 à 31.

⚠ AVERTISSEMENT :

Pour éviter les blessures graves, fixer le support de solive sur un support de charpente de rive d'un mur. Ne JAMAIS installer un support de solive sur des surfaces faibles, comme une cloison sèche, pour éviter la chute du support de solive.

⚠ AVERTISSEMENT :

TOUJOURS Utiliser des tire-fonds et des ancrages pour béton (non inclus) si le support de solive est fixé à du béton, de la brique ou toute autre forme de maçonnerie. Une mauvaise installation du support de solive et de sa quincaillerie représente un risque de chute et causer des blessures graves ou mortelles.

⚠ AVERTISSEMENT :

Installer seulement des vis, boulons, ancrages et autre quincaillerie à un support de charpente où aucun fil électrique, câble de service public, tuyau ou autre obstruction ne passe. Communiquer avec l'entreprise de service d'utilité ou un électricien qualifié en cas de doute. S'assurer que toutes les pièces de quincaillerie sont installées correctement afin d'éviter toute chute d'objet. Ne pas respecter ces instructions représente un risque de décharge électrique, de blessures graves ou mortelles.

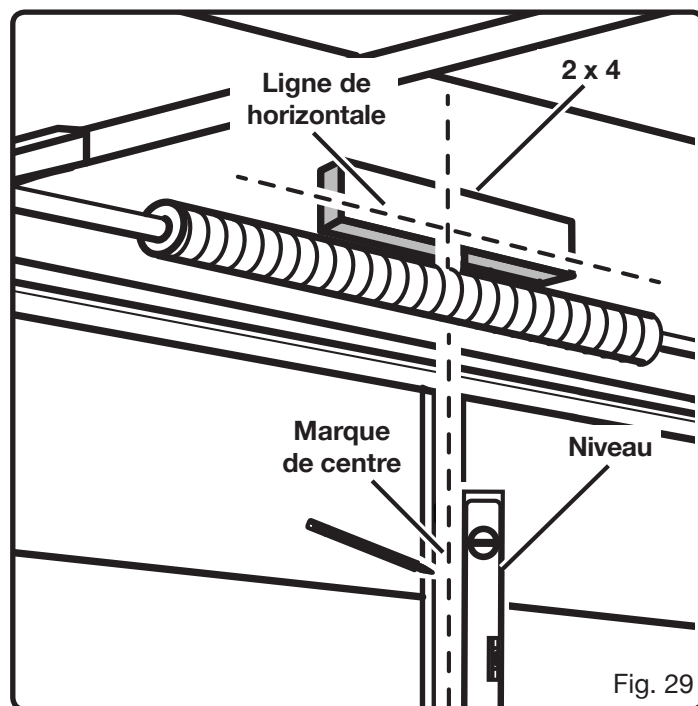
Toujours installer le support de solive sur une surface solide. La force nécessaire pour soulever et abaisser la porte de garage pourrait déloger le support et la quincaillerie de montage hors des surfaces faibles, comme les cloisons sèches. Pour certaines installations, il peut être nécessaire de créer un emplacement

adéquat pour l'installation du support, comme l'ajout d'un morceau de bois de 50,8 x 101,6 mm (2 x 4 po). Le morceau de bois de 50,8 x 101,6 mm (2 x 4 po) peut être installé entre deux montants ou de la maçonnerie en utilisant des tire-fonds et des ancrages pour béton (non inclus).

- Localiser les éléments suivantes :
 - Support de solive
 - Tire-fond (1/2 po x 1-1/2 po) [2]

Pour installer le support à la rive d'un mur :

- Fermer complètement la porte de garage.
- Utiliser un crayon et un niveau pour tracer une ligne verticale au centre de la partie supérieure de la porte de garage.
- Continuer de tracer la ligne centrale à partir de la porte jusqu'à la rive du mur. Prolonger la ligne sur environ 304,8 mm (12 po) au-dessus de la porte de garage ou le plus haut possible.

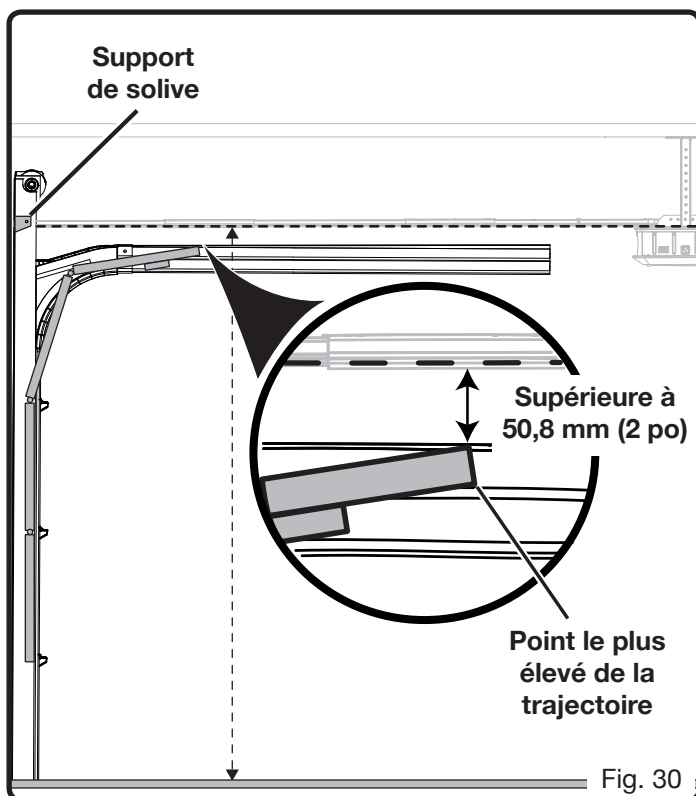


INSTALLATION

- Se tenir sur une échelle près de la porte de garage pendant qu'une autre personne soulève lentement la porte. Pendant le mouvement de la porte, trouver et marquer le point le plus élevé de la trajectoire en bordure de la ligne centrale. Le point le plus haut variera selon le type et la construction de la porte de garage, mais généralement ce point se situe entre 254,0 et 304,8 mm (10 et 12 po) au-dessus de la partie supérieure de la porte.

⚠ AVERTISSEMENT :

Une très grande prudence doit être exercée dans l'échelle. S'assurer qu'une autre personne tient et stabilise l'échelle au sol. L'utilisation non sécuritaire d'une échelle représente un risque de chute pouvant causer des blessures graves ou mortelles.

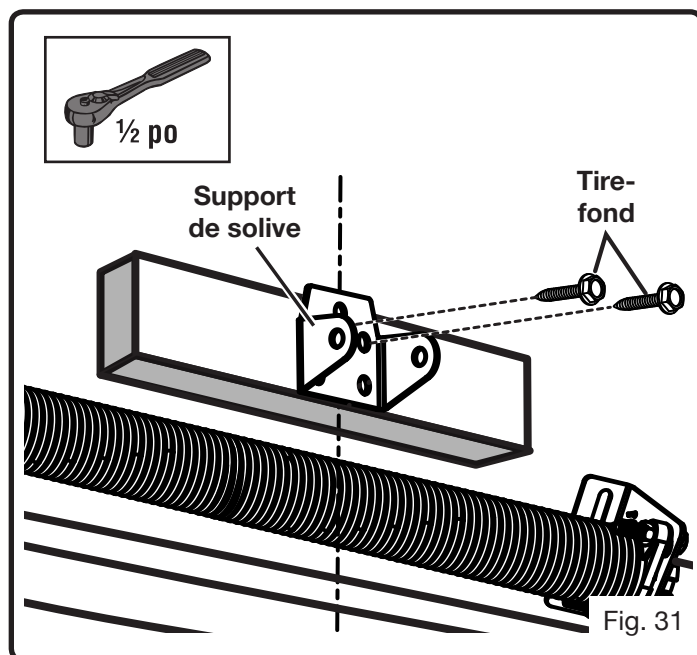


- Dessiner une ligne horizontale oblique au-dessus du point élevé :

- Pour les portes de garage sectionnelles ou à panneau simple avec des rails, la ligne doit se trouver à environ 50,8 mm (2 po) au-dessus du point élevé.
- Pour les portes de garage à panneau simple sans rail, la ligne doit se trouver à environ 203,2 mm (8 po) au-dessus du point élevé.

NOTE : La position de la ligne horizontale déterminera l'espace entre le dessus de la porte et l'assemblage de rail. Si la hauteur du garage ne permet pas de dessiner la ligne décrite ci-dessus, dessiner une ligne le plus loin possible au-dessus du point élevé.

- Positionner le support de solive, comme illustré à la figure 31.
- Placer le bord supérieur du support de solive sur la ligne horizontale et centrer le support sur la ligne centrale.
- Marquer les trous du support.
- Percer des avant-trous de 4,8 mm (3/16 po) et fixer fermement le support en utilisant les tire-fonds. Installer les vis avec une douille de 1/2 po.



INSTALLATION

INSTALLATION DE L'ASSEMBLAGE DE RAIL AU SUPPORT DE SOLIVE

Voir la figure 32.

- Localiser les éléments suivantes :
 - Grand axe d'assemblage
 - Goupille de sûreté
- Déposer le moteur sur un étau ou au sol en plaçant une serviette ou le matériau d'emballage sous le moteur.
- Incliner l'assemblage de rail de manière à ce qu'il repose contre le support de solive.

NOTE : Si un ressort de la porte ou une autre obstruction entrave le rail, demander à une autre personne de tenir l'ouvre-porte de garage ou à aider l'équilibrage sur un support élevé pendant le positionnement de l'assemblage de rail.

- Aligner les trous du support avec les trous de l'assemblage de rail, comme illustré.
- Insérer le grand axe d'assemblage et le fixer avec la goupille de sûreté.

NOTE : La goupille d'attelage doit être insérée dans le premier trou situé le plus près de la tête du mécanisme.

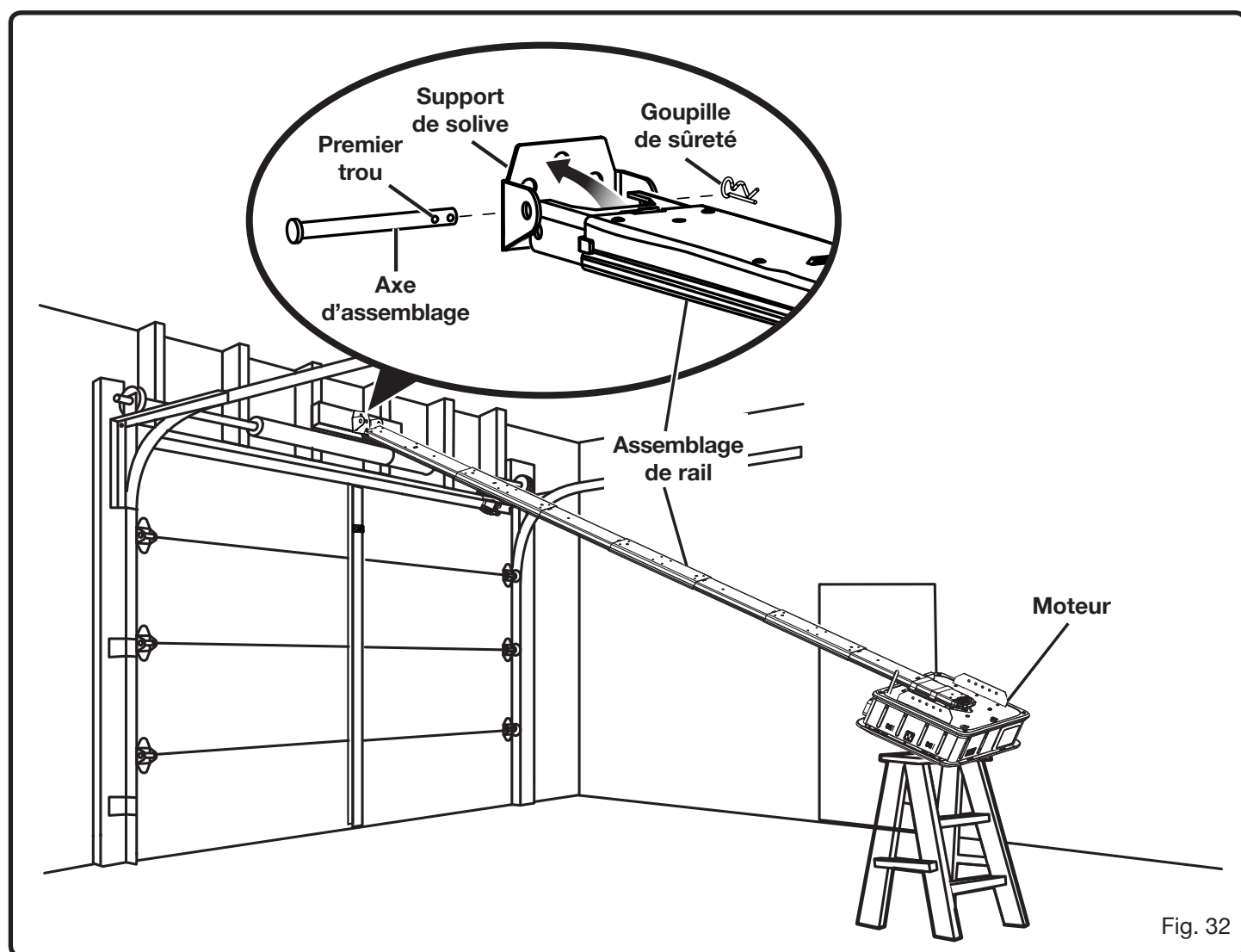


Fig. 32

INSTALLATION

INSTALLATION DU MOTEUR AU PLAFOND

Voir les figures 33 à 38.

⚠ AVERTISSEMENT :

Fixer l'ouvre-porte de garage à un support structural solide du plafond. Ne JAMAIS fixer l'ouvre-porte de garage à une cloison sèche ou des serpentins plafonniers de faux plafonds. TOUJOURS utiliser des ancrages pour béton pour fixer les supports à du ciment, de la brique ou tout autre type de maçonnerie. Un moteur mal installé représente un risque de chute pouvant causer des blessures graves ou mortelles ou des dommages aux biens.

- Localiser les éléments suivantes :

Support de montage (2)

Boulon (7/16 po x 3/4 po) [6]

Rondelle (7/16 po) [6]

Écrou (7/16 po) [6]

- Fermer complètement la porte de garage.
- Mesurer l'espace entre le support de solive et le plafond.
NOTE : Pour les plafonds non finis, mesurer l'espace entre le support de solive et les solives les plus proches de l'autre côté.
- Soulever prudemment le moteur et le déposer au haut d'une échelle.
- Déplacer le moteur jusqu'à ce qu'il soit aligné avec le support de solive et que l'assemblage de rail se trouve au-dessus la ligne centrale de la porte.
- Abaisser le levier de débrayage du chariot et faire glisser complètement le chariot extérieur vers le moteur.

NOTE : La bonne configuration, le bon emplacement des supports et des traverses varieront selon la conception et la construction du plafond du garage. Les figures 34 à 38 sont des exemples, mais la conception de votre garage peut être différente.

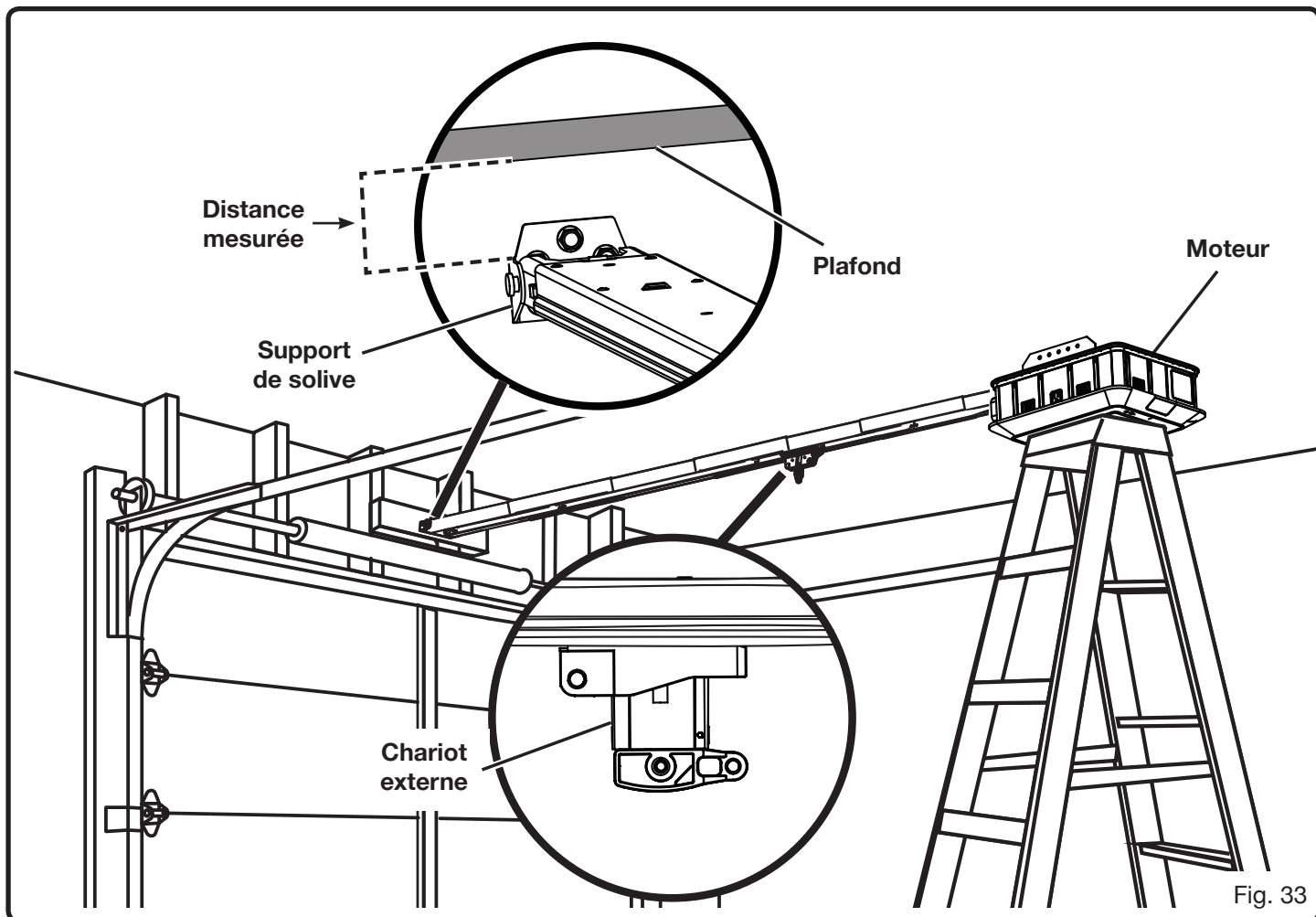


Fig. 33

INSTALLATION

Pour fixer le moteur aux plafonds finis :

- Installer le support central ou les supports (non inclus) aux solives les plus proches ou aux supports structuraux du plafond du garage en utilisant des tire-fonds (non inclus).
- Avec une scie à métaux, couper des morceaux de support de montage en ajoutant 12,7 mm (1/2 po) de la longueur mesurée entre le support de solive et le plafond.

NOTE : Les traverses fixées en diagonale doivent être coupées plus longues que la distance verticale mesurée à la figure 33.

- Fixer les traverses à l'ouvre-porte de garage et aux supports en utilisant des écrous, des rondelles, et des boulons. Serrer les boulons et les écrous avec une douille de 7/16 po.

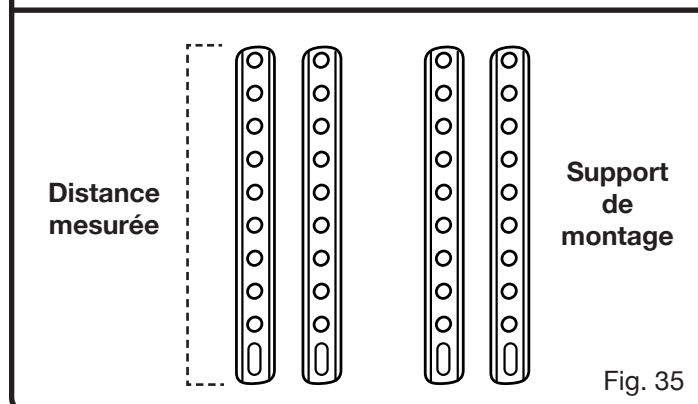
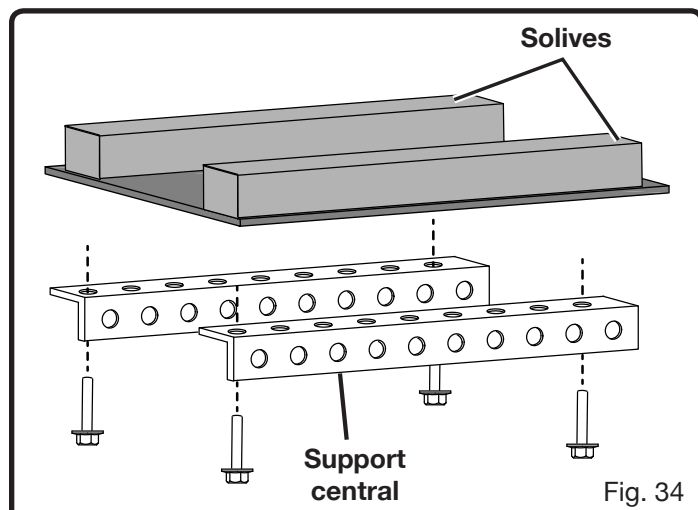
NOTE : Installer les traverses et les écrous du côté des supports (face au rail).

- Retirer l'échelle et ouvrir la porte. Si l'espace entre l'assemblage de rail et la porte est insuffisant, déplacer le support de solive vers le haut et répéter les étapes ci-dessus.

Pour fixer le moteur aux plafonds non finis :

- Avec une scie à métaux, couper des morceaux de support de montage en ajoutant 12,7 mm (1/2 po) de la longueur mesurée entre le support de solive et les solives les plus proches de l'autre côté.

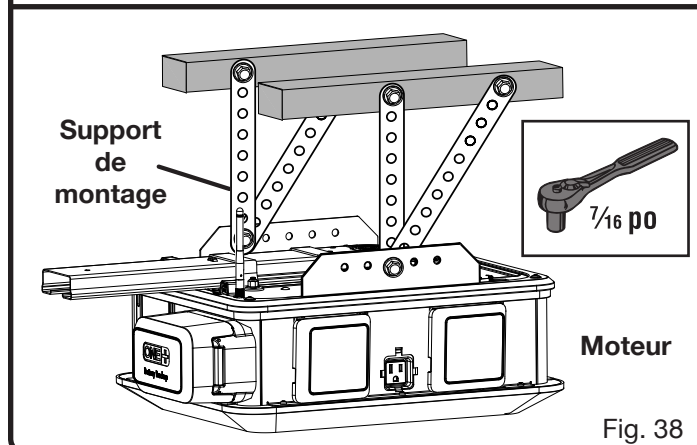
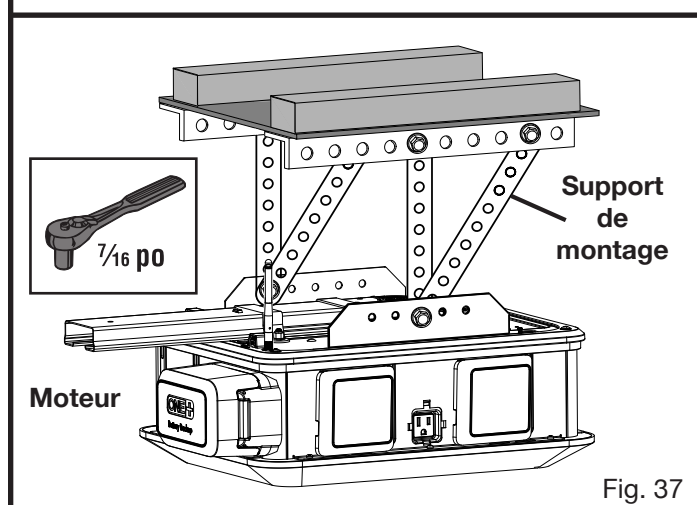
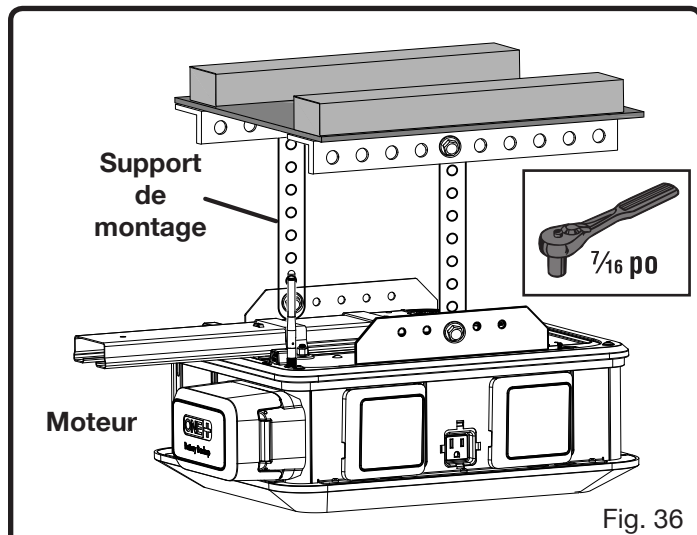
NOTE : Les traverses fixées en diagonale doivent être coupées plus longues que la distance verticale mesurée à la figure 33.



- Fixer les traverses à l'ouvre-porte de garage et aux solives en utilisant des écrous, des rondelles, et des boulons (voir figure 38). Serrer les boulons et les écrous avec une douille de 7/16 po.

NOTE : Installer les traverses et les écrous du côté des supports (face au rail).

- Retirer l'échelle et ouvrir la porte. Si l'espace entre l'assemblage de rail et la porte est insuffisant, déplacer le support de solive vers le haut et répéter les étapes ci-dessus.



INSTALLATION

EMPLACEMENT DE L'ANTENNE RF

Voir la figure 39.

- Retirer le ruban qui fixe l'antenne RF.
- Déplacer l'antenne avec soin de façon à ce qu'elle pende sous l'ouvre-porte.

NOTE : Il se peut que la réception du signal entre l'ouvre-porte et le clavier extérieur ou les télécommandes soit faible si l'antenne RF n'est pas placée sous l'ouvre-porte.

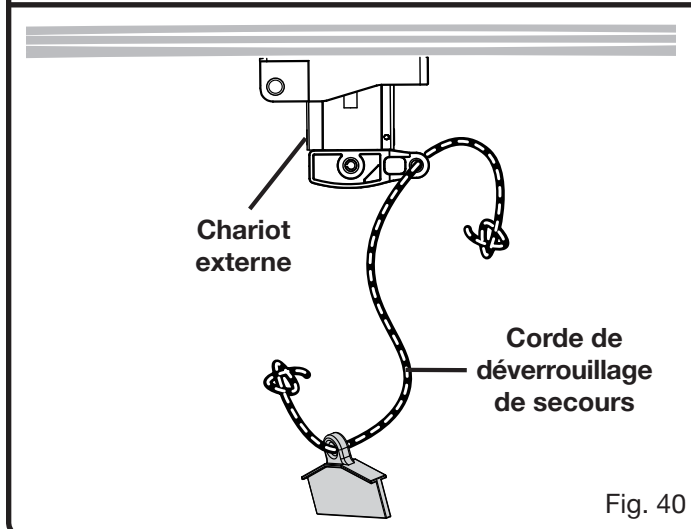
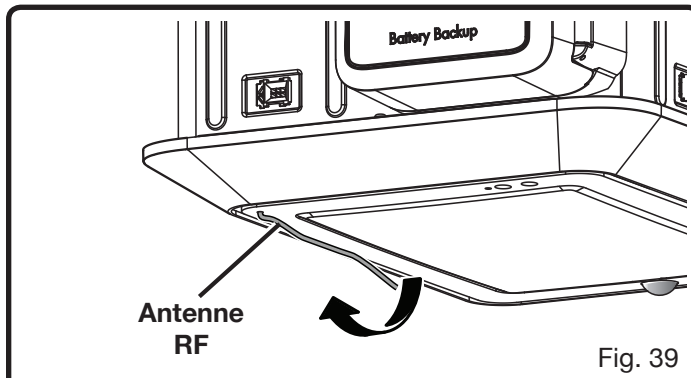
INSTALLATION DE LA CORDE DE DÉVERROUILLAGE DE SECOURS

Voir la figure 40.

⚠ AVERTISSEMENT :

Ne pas déclencher le déverrouillage de secours pendant que la porte de garage est ouverte, ne pas utiliser la corde de déverrouillage de secours pour soulever ou abaisser la porte de garage et déclencher le déverrouillage de secours seulement lorsqu'aucune personne, aucun animal ou objet ne se trouve près de la porte. Le déclenchement inadéquat du déverrouillage de secours représente un risque de blessures graves causé par la chute de la porte de garage.

- Localiser les éléments suivantes :
Corde de déverrouillage de secours



- Fermer complètement la porte de garage.
- Insérer une extrémité de la corde de déverrouillage de secours dans le trou de la poignée et faire un noeud au bas.
- Insérer l'autre extrémité de la corde de déverrouillage de secours dans le trou du levier de débrayage du chariot. Tirer la corde vers le haut jusqu'à environ 1,83 m (6 pi) au-dessus du sol du garage puis nouer.

INSTALLATION DU SUPPORT DE PORTE

Voir les figures 41 à 44.

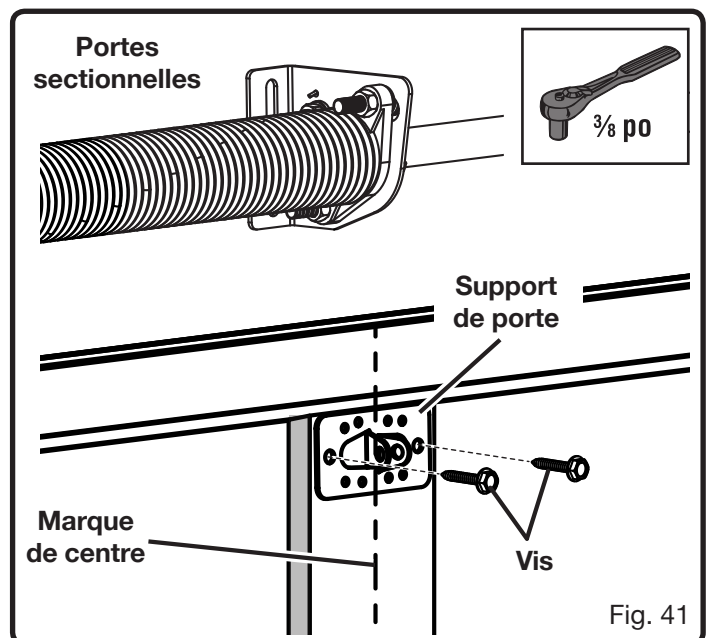
- Localiser les éléments suivantes :
Support de porte
Vis auto-taraudeuse (2)

AVIS :

Avant d'installer le support de porte, s'assurer que la porte est équipée de supports horizontaux et verticaux adéquats. Les portes de garage en aluminium, fibre de verre ou autres matériaux légers peuvent exiger un renfort vertical ou horizontal. Demander au fabricant ou à l'installateur de la porte de garage de vous fournir les instructions concernant le renfort. L'installation d'un ouvre-porte de garage n'ayant pas de support adéquat risque d'endommager la porte et d'annuler sa garantie.

Pour installer un support aux portes de garage sectionnelles :

- Fermer complètement la porte de garage.
- Utiliser un crayon et un niveau pour tracer une ligne verticale au centre de la partie supérieure de la porte de garage.
- Centrer le support sur la ligne et le placer juste en dessous de la partie supérieure de la porte ou environ à la même hauteur que la roulotte supérieure.
- Marquer les trous du milieu à gauche et à droite du support.



INSTALLATION

- Fixer fermement le support en installant des vis autotaraudeuses dans les trous centraux situés à gauche et à droite du support. Visser les vis avec une douille de 3/8 po.

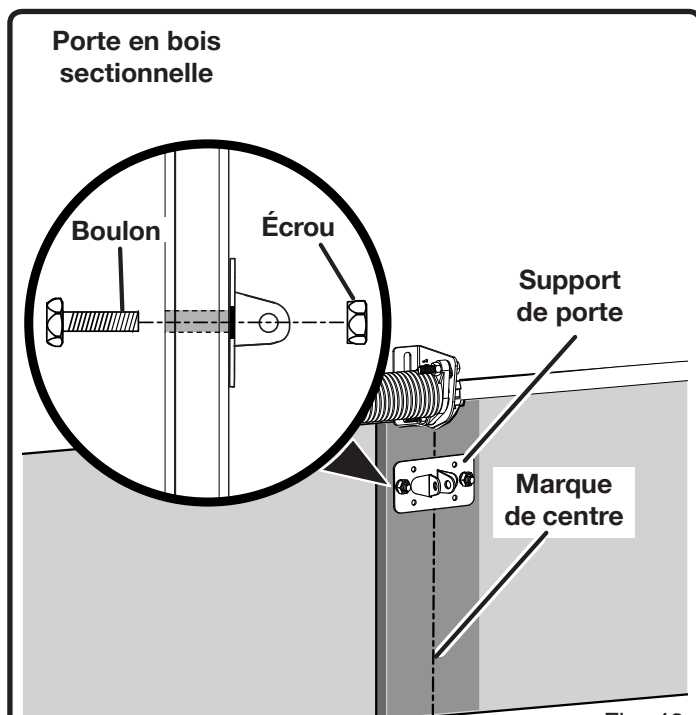


Fig. 42

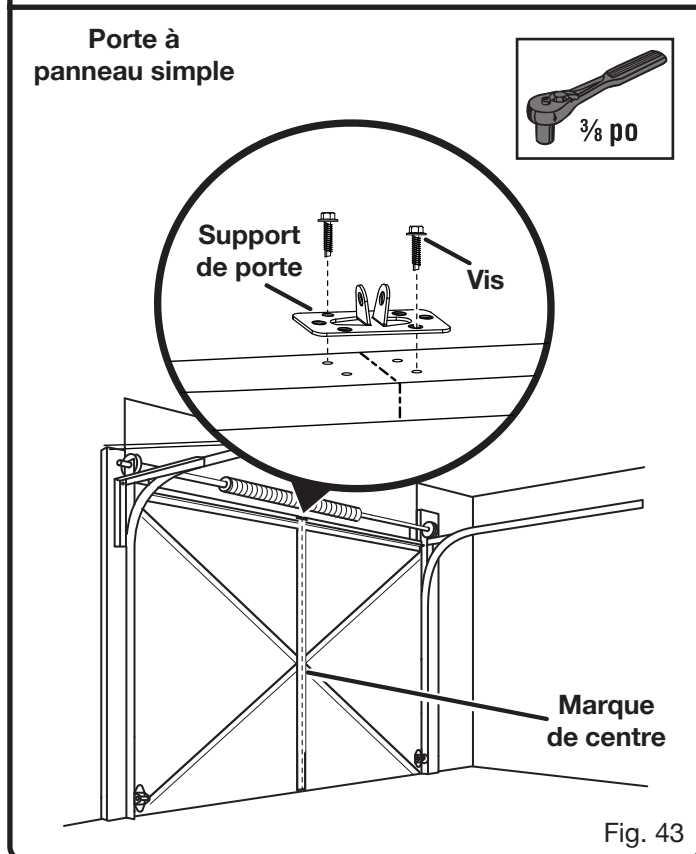


Fig. 43

NOTE : Pour les portes en bois, percer un trou de part en part de la porte et installer le support en utilisant des écrous et des boulons (non inclus), comme à la figure 42.

Pour installer un support aux portes à panneau simple :

- Fermer complètement la porte de garage.
- Utiliser un crayon et un niveau pour tracer une ligne verticale au centre de la partie supérieure de la porte de garage.
- Prolonger la ligne sur le bord supérieur de la porte.
- Placer le support de porte au bord supérieur de la porte et le centrer sur la ligne.

NOTE : Le support peut également être placé sur la partie avant supérieure de la porte, si nécessaire.

- Marquer les trous du support.
- Fixer fermement le support en place en utilisant des vis. Visser les vis avec une douille de 3/8 po.

NOTE : Pour les portes en bois, percer un trou de part en part de la porte et installer le support en utilisant des boulons (non inclus) et des écrous (non inclus).

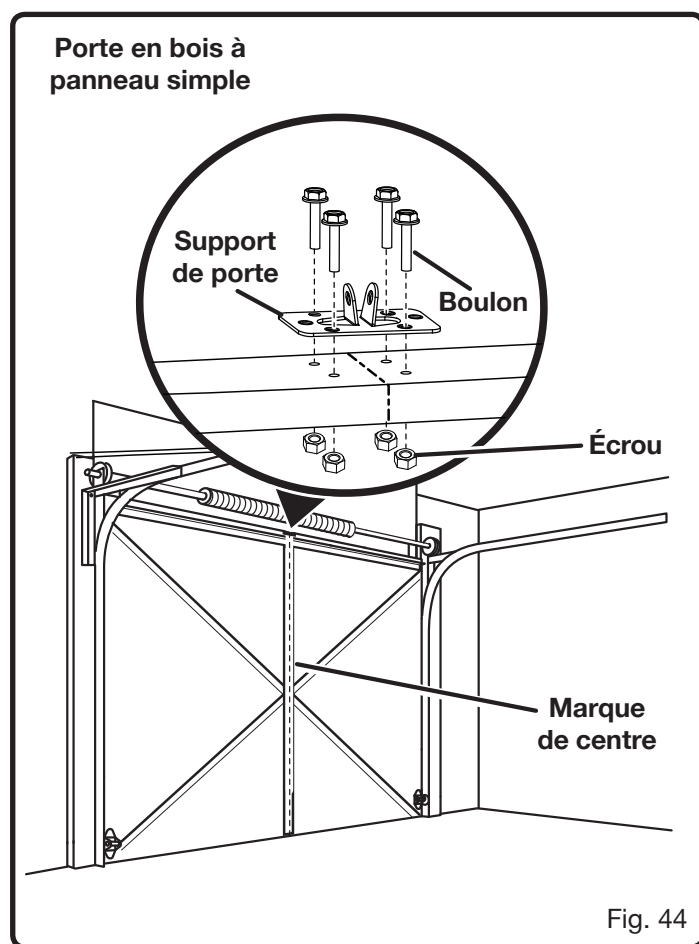


Fig. 44

INSTALLATION

RACCORDEMENT DU SUPPORT DE PORTE AU CHARIOT EXTÉRIEUR

Voir les figures 45 à 50.

■ Localiser les éléments suivantes :

- Bras courbé de porte
- Bras droit de porte
- Moyen axe d'assemblage
- Petit axe d'assemblage
- Goupilles de sûreté (2)
- Boulons (1/2 po x 1 po) [2]
- Écrous de blocage (1/2 po) [2]

Raccordement aux portes sectionnelles :

- Fermer complètement la porte de garage.
- Tirer la corde de déverrouillage de secours vers le bas et glisser le chariot extérieur vers la porte de garage.

- Immobiliser le bras droit de la porte derrière le chariot extérieur en utilisant un petit axe d'assemblage et une goupille d'attelage.

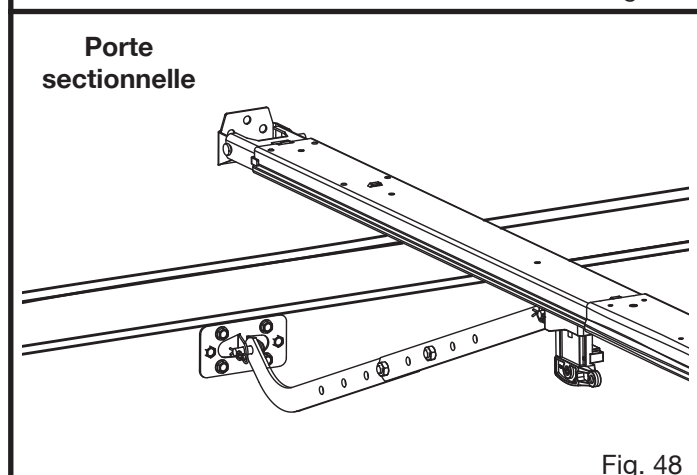
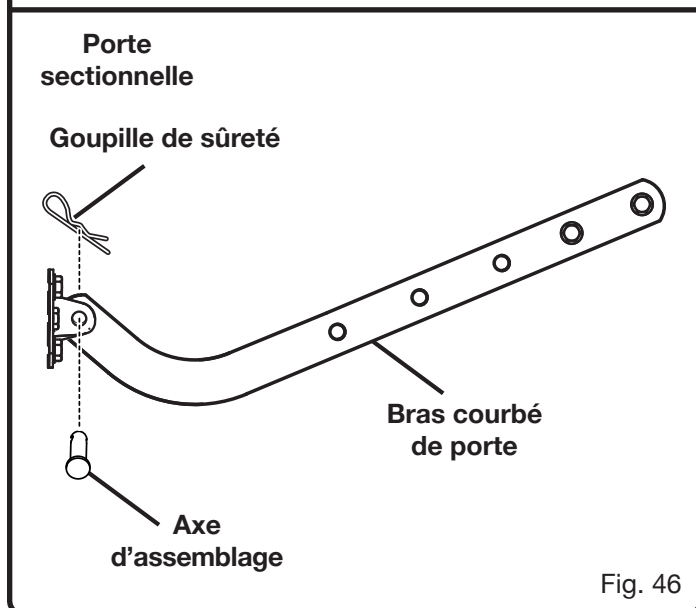
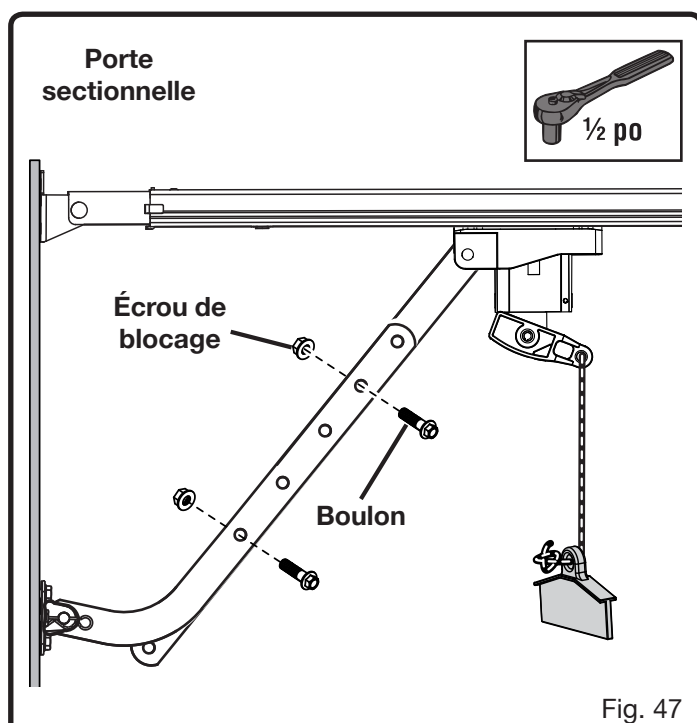
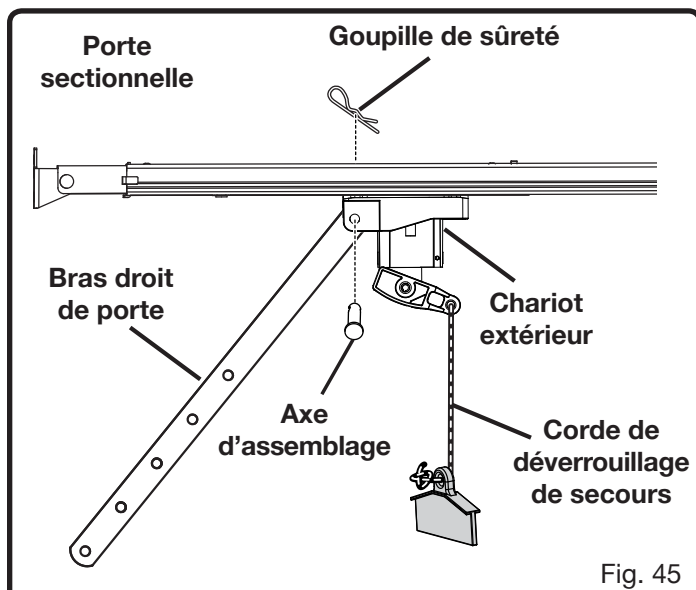
- Immobiliser le bras courbé de la porte au support de porte en utilisant un moyen axe d'assemblage et une goupille d'attelage.

- Réunir les bras courbé et droit. Choisir deux paires de trous alignés et installer des boulons et des écrous. Visser les boulons et les écrous avec une douille de 1/2 po.

NOTE : Pour augmenter la solidité, installer des pièces de fixation dans les trous se trouvant le plus loin possible l'un de l'autre.

NOTE : Si les trous du bras ne sont pas alignés, retirer le bras droit de la porte et le réinstaller en position inverse.

- Si le bras droit de la porte est trop bas après avoir terminé le raccordement, il peut être raccourci en le coupant jusqu'à 152,4 mm (6 po).



INSTALLATION

Raccordement aux portes à panneau simple :

- Fermer complètement la porte de garage.
- Tirer la corde de déverrouillage de secours vers le bas et glisser le chariot extérieur vers la porte de garage.
- Réunir les bras courbé et simple et aligner les trous.
- Choisir deux paires de trous alignées et installer des boulons et des écrous. Visser les boulons et les écrous avec une douille de 1/2 po.

NOTE : Pour augmenter la solidité, installer des pièces de fixation dans les trous se trouvant le plus loin possible l'un de l'autre.

- Immobiliser le bras droit de la porte au support de porte en utilisant un petit axe d'assemblage et une goupille d'attelage.
- Immobiliser le bras courbé de la porte derrière le chariot extérieur en utilisant un moyen axe d'assemblage et une goupille d'attelage.

INSTALLATION DES CAPTEURS DE SÉCURITÉ

Voir les figures 51 à 56.

- Localiser les éléments suivantes :
 - Capteur de sécurité (2)
 - Broches isolées (environ 16)
 - Écrou à oreilles (2)
 - Support de capteur (2)
 - Clous (2 po) [2]
 - Tire-fond (7/16 po x 1-1/2 po) [2]

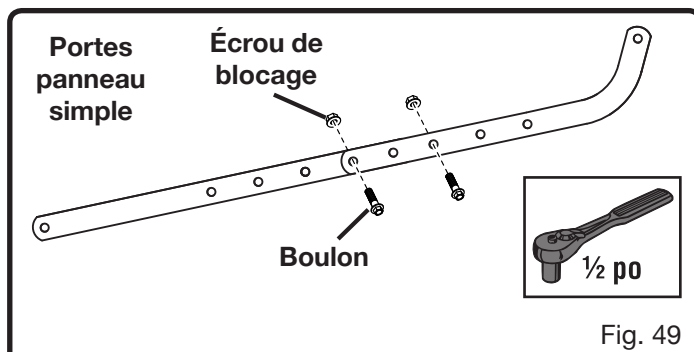


Fig. 49

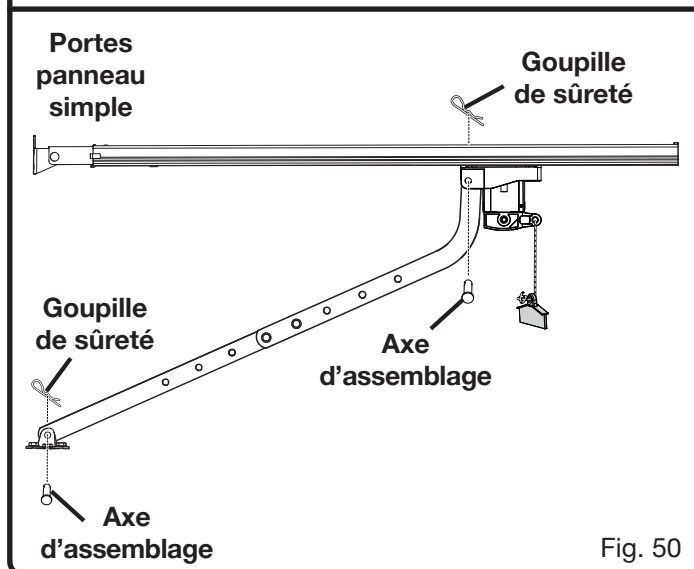


Fig. 50

⚠ AVERTISSEMENT :

NE PAS faire fonctionner l'ouvre-porte de garage sans avoir installé les capteurs de sécurité et vérifier leur bon fonctionnement. Une mauvaise installation et le mauvais fonctionnement des capteurs de sécurité représentent un risque de blessures graves ou mortelles.

⚠ AVERTISSEMENT :

Le dessus du capteur de sécurité doit être placé entre 101,6 et 152,4 mm (4 et 6 po) au-dessus du plancher. Ceci permettra la réouverture de la porte si un enfant, un animal ou de petits objets se déplacent sous la porte pendant sa fermeture. Des capteurs de sécurité mal positionnés représentent un risque de blessures graves ou mortelles.

⚠ AVERTISSEMENT :

L'efficacité des capteurs de sécurité inclus avec ce système est directement reliée à leurs positions et à l'installation de ces derniers. Des capteurs mal positionnés ou mal installés peuvent nuire à leur bon fonctionnement et représentent un risque de blessure grave ou mortelle.

- Assembler les capteurs de sécurité en insérant la tige du capteur dans la fente longue du support de fixation et le fixer fermement avec l'écrou à oreilles.
- Fermer complètement la porte de garage.
- Positionner les deux capteurs à l'intérieur et de chaque côté de la porte de garage et diriger les lentilles face à face. La flèche doit être dirigée vers le haut.

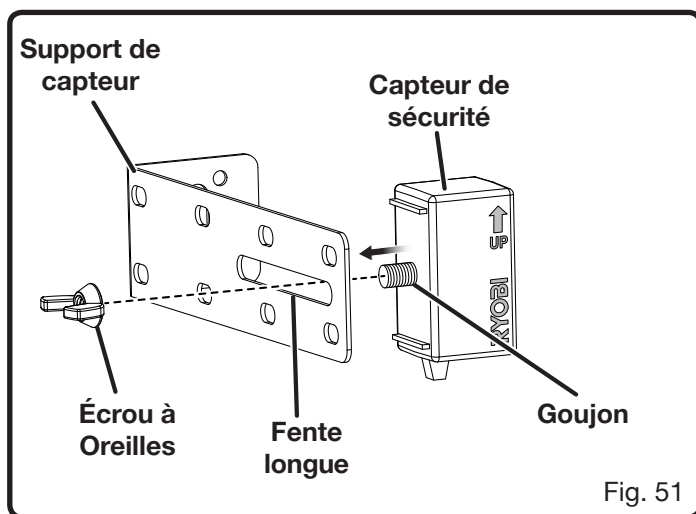


Fig. 51

INSTALLATION

NOTE : Le dessus du capteur de sécurité doit être placé entre 101,6 et 152,4 mm (4 et 6 po) au-dessus du plancher.

NOTE : Le capteur récepteur est équipé d'un témoin DEL vert. S'assurer que la lentille du capteur n'est pas exposée directement aux rayons du soleil.

- Marquer la position du trou du support de capteur.
- Installer les supports de capteur en place en utilisant des clous ou faire des trous pilotes de 4,8 mm (3/16 po) avec une perceuse puis fixer avec les tire-fonds. Visser les vis avec une douille de 7/16 po.

NOTE : Utiliser des tire-fonds et des ancrages pour béton (non inclus) si les supports sont installés dans du béton, de la brique ou toute autre forme de maçonnerie.

⚠ AVERTISSEMENT :

S'assurer que l'ouvre-porte de garage est débranché et que le bloc-piles est retiré avant d'effectuer le câblage des capteurs afin d'éviter tout risque de blessures graves ou mortelles et de décharge électrique.

⚠ AVERTISSEMENT :

Seulement raccorder les capteurs avec des câbles de basse tension fourni pour éviter le risque de décharge électrique ou de blessures graves.

- Acheminer les fils à partir des capteurs vers les cosses du capteur de porte. Fixer les fils au mur et au plafond avec des broches isolées. Enfoncer fermement les agrafes au mur et au plafond en utilisant un marteau.
- Avec un outil à dénuder, dénuder l'isolant des extrémités de chaque fil sur environ 12,7 mm (1/2 po).
- Pour installer ou retirer des fils de la cosse, appuyer sur la languette située à côté de la cosse.
- Torsader les fils rayés de chaque capteur ensemble et les insérer dans la cosse de la porte droite du capteur marquée d'un « G ».

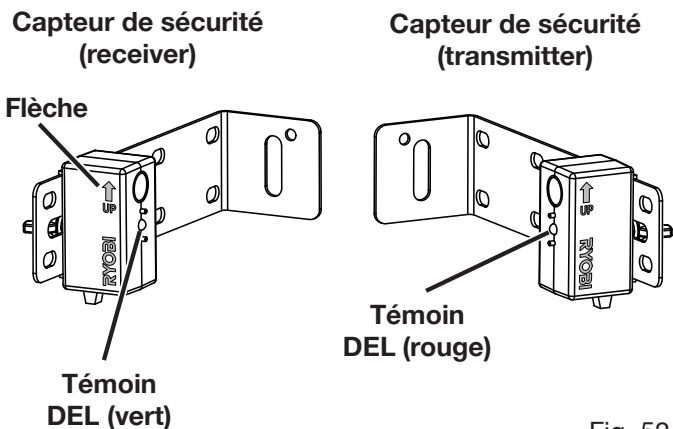


Fig. 52

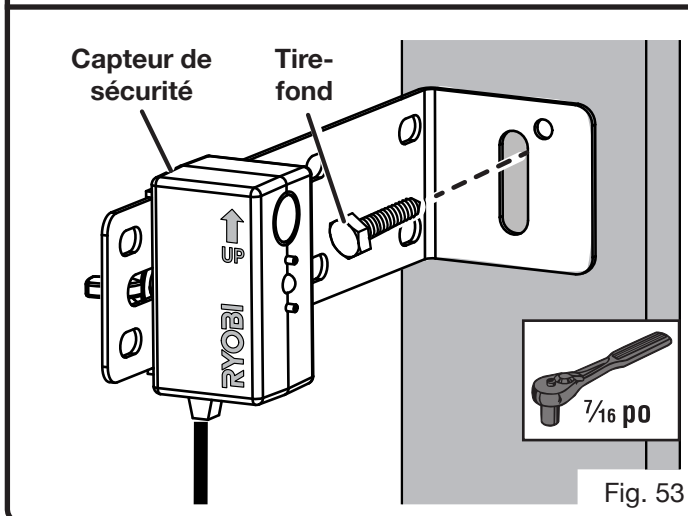


Fig. 53

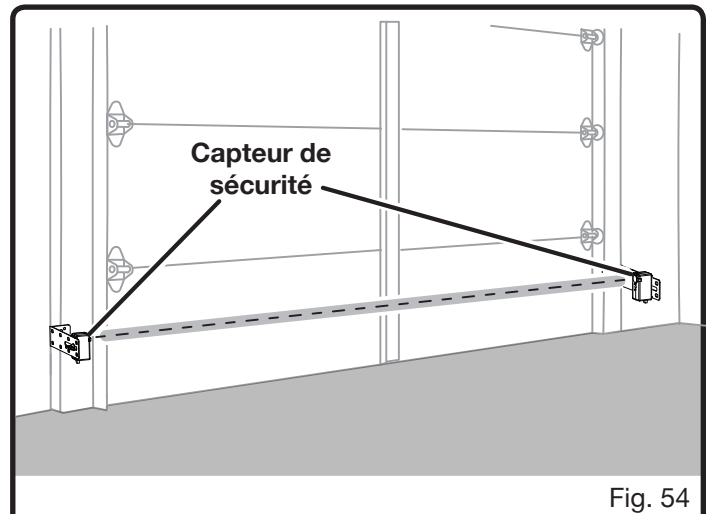


Fig. 54

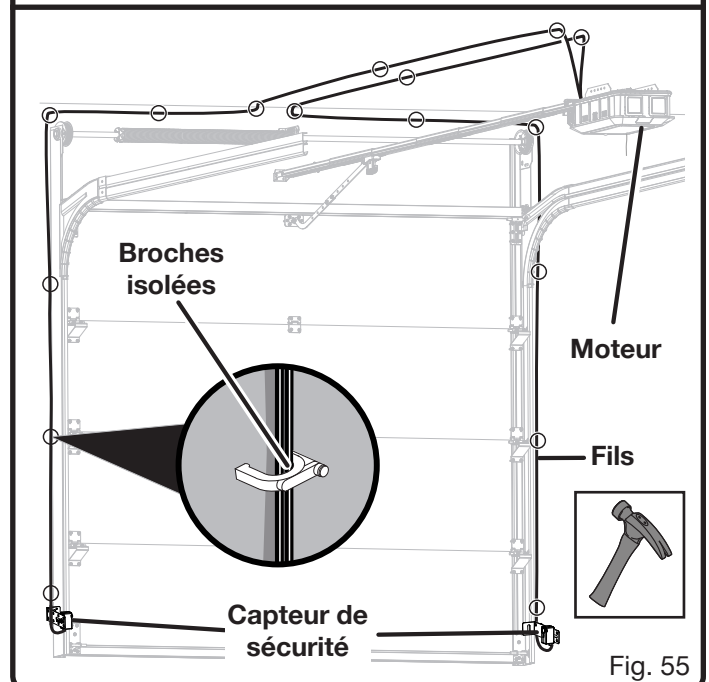


Fig. 55

INSTALLATION

- Torsader les fils unis de chaque capteur ensemble et les insérer dans la cosse gauche marquée d'un « W ».
- Pour connaître les instructions d'alignement, consulter le chapitre **Alignement des capteurs de sécurité** plus loin dans cette section.

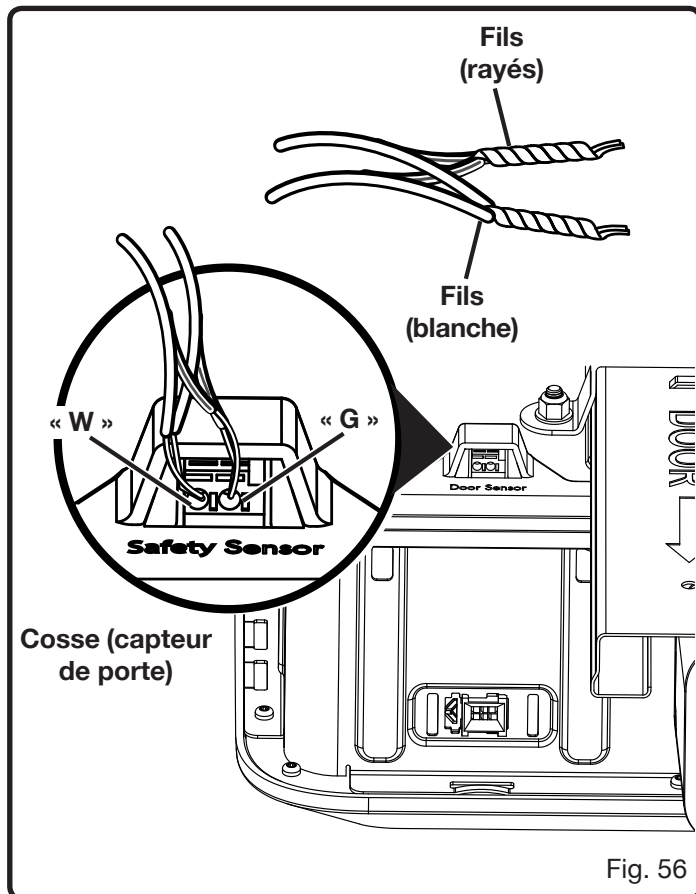


Fig. 56

INSTALLATION DU CLAVIER INTÉRIEUR

Voir les figures 57 à 61.

- Localiser les éléments suivantes :
 - Intérieur du clavier
 - Câble de basse tension
 - Broches isolées (environ 14)
 - Étiquette d'avertissement de piégeage
 - Vis (1 po, tête phillips) [2]
 - Ancrage à cloison sèche (2)

⚠ AVERTISSEMENT :

Ne pas utiliser l'ouvre-porte de garage si les claviers ou télécommandes ne démarrent ou n'arrêtent pas le moteur. Un ouvre-porte ne pouvant être commandé avec le clavier ou la télécommande représente un risque de blessures graves ou mortelles et doit être réparé.

⚠ AVERTISSEMENT :

S'assurer que le clavier est installé suffisamment haut pour éviter toute activation accidentelle de l'ouvre-porte de garage. Il doit être installé à au moins 1,5 m (5 pi) au-dessus du sol afin que les enfants ne puissent l'atteindre. Une activation non prévue de l'ouvre-porte représente un risque de blessures graves ou mortelles.

⚠ AVERTISSEMENT :

Ne pas mettre en marche ou arrêter le moteur si une personne ou un objet se trouve dans la trajectoire de la porte, si la porte est déséquilibrée ou si l'entrée de porte est hors de vue. Des blessures graves ou mortelles peuvent survenir si ces instructions ne sont pas respectées.

⚠ AVERTISSEMENT :

S'assurer que l'ouvre-porte de garage est débranché et que le bloc-piles est retiré avant d'effectuer le câblage des capteurs afin d'éviter tout risque de blessures graves ou mortelles et de décharge électrique.

⚠ AVERTISSEMENT :

Seulement raccorder le clavier avec des câbles de basse tension fourni pour éviter le risque de décharge électrique ou de blessures graves.

- Trouver un endroit souhaité à l'intérieur et en vue de la porte de garage.

NOTE : Le clavier doit être installé à au moins 1,5 m (5 pi) au-dessus du sol afin que les enfants ne puissent l'atteindre.

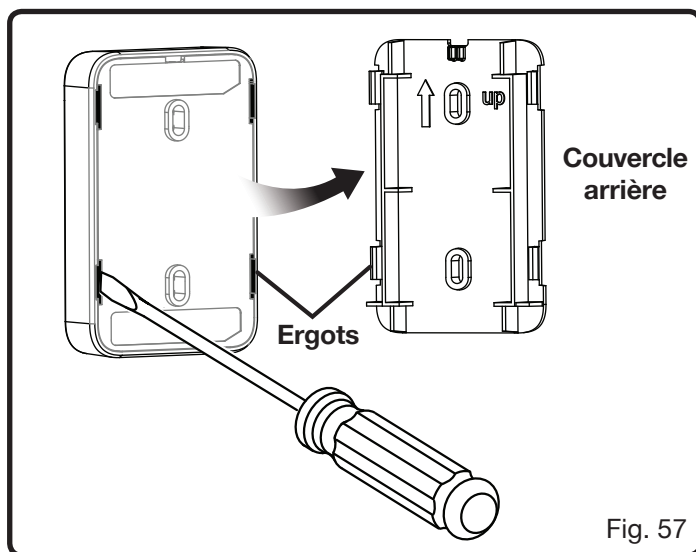


Fig. 57

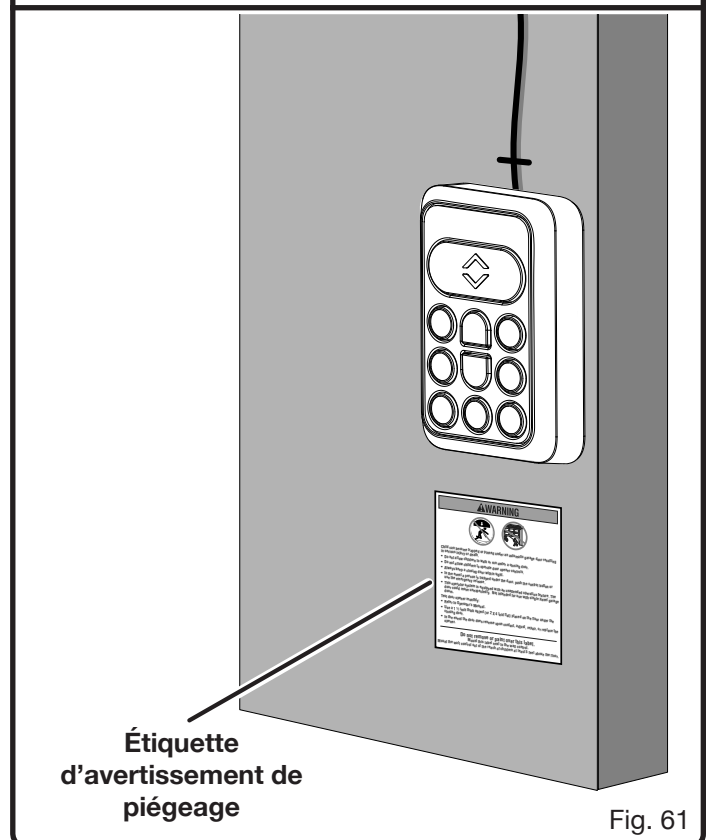
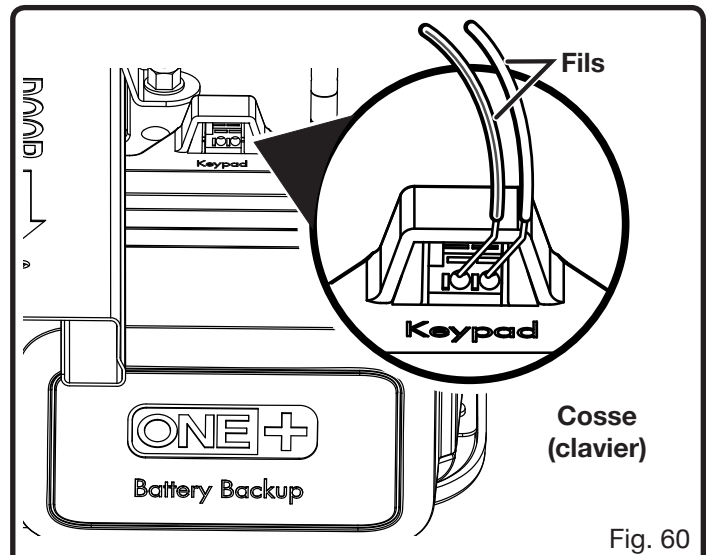
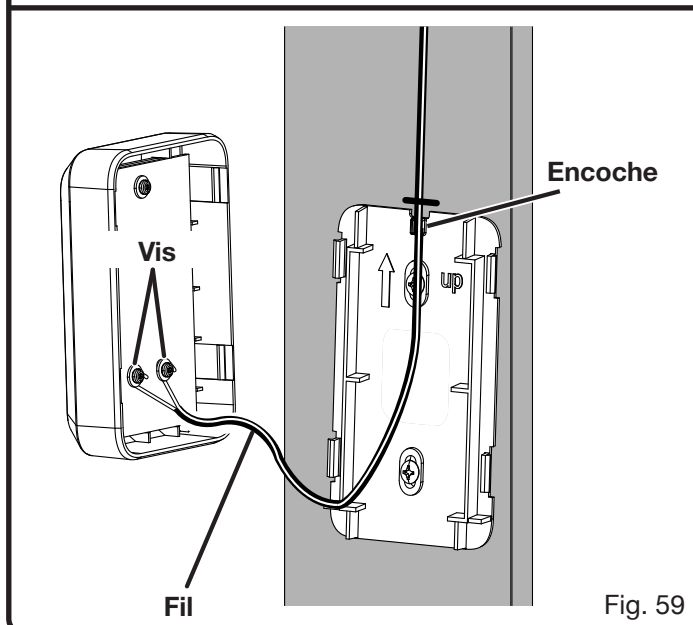
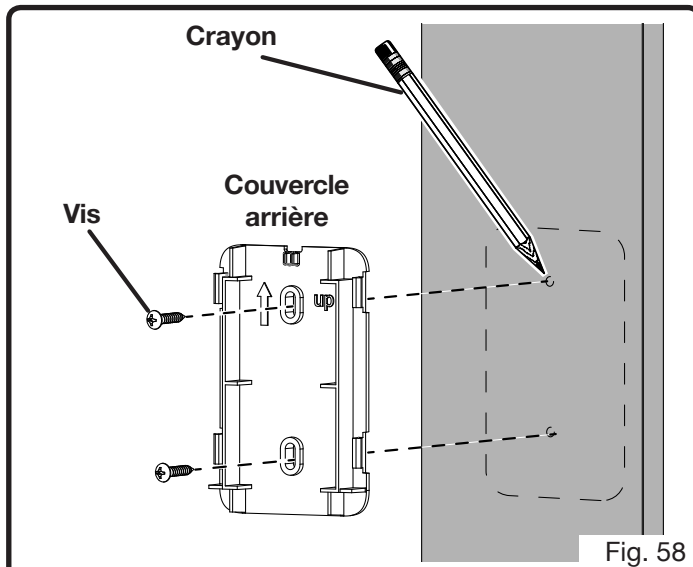
INSTALLATION

- Insérer un tournevis à tête plate dans les languettes du clavier intérieur et retirer le couvercle arrière.
 - Tenir le couvercle arrière contre le mur. Utiliser un crayon et un niveau pour marquer l'emplacement du trou de vis.
 - Installer le couvercle arrière au mur en utilisant des vis. Installer les vis avec un tournevis à tête cruciforme.
- NOTE :** Utiliser des ancrages à cloison sèche si le clavier est installé dans la cloison sèche.
- Insérer les fils inclus avec le clavier dans l'encoche du couvercle arrière.
 - Installer le clavier sur le couvercle arrière. Prendre soin de ne pas endommager les fils.
 - Acheminer les fils vers les cosses à l'endroit souhaité. Fixer les fils au mur et au plafond avec des broches isolées.
 - Insérer le fil rayé rouge du clavier dans la borne gauche du clavier marquée d'un « R ».
 - Insérer le fil blanc dans la borne droite marquée d'un « W ».

⚠ AVERTISSEMENT :

L'étiquette d'avertissement de piégeage comporte des renseignements de sécurité importants. Installer l'étiquette d'avertissement de piégeage près du clavier intérieur, bien en vue. Utiliser des agrafes isolées ou un autre dispositif mécanique si l'étiquette n'adhère pas au mur.

- Pour connaître les détails du fonctionnement du clavier intérieur, consulter le chapitre **Utilisation du clavier intérieur** à la section *Fonctionnement*.



INSTALLATION

INSTALLATION DU CLAVIER EXTÉRIEUR

Voir les figures 62 à 64.

- Localiser les éléments suivantes :
Clavier extérieur
Vis (1-1/2 po, tête phillips) [2]

⚠ AVERTISSEMENT :

Ne pas utiliser l'ouvre-porte de garage si les claviers ou télécommandes ne démarrent ou n'arrêtent pas le moteur. Un ouvre-porte ne pouvant être commandé avec le clavier ou la télécommande représente un risque de blessures graves ou mortelles et doit être réparé.

⚠ AVERTISSEMENT :

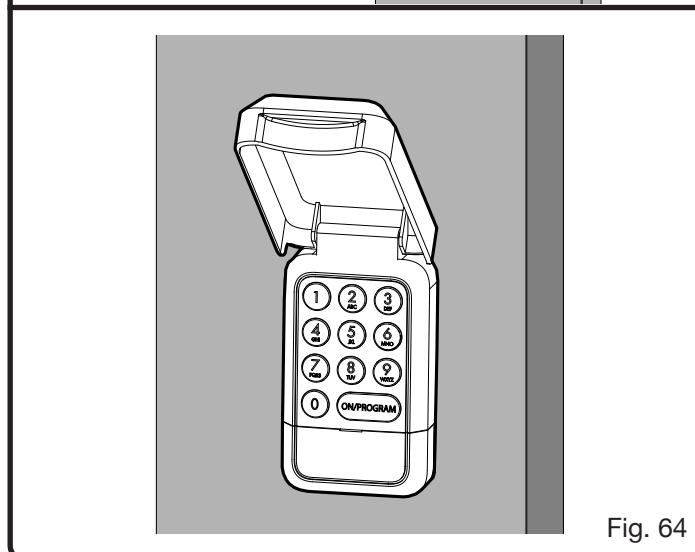
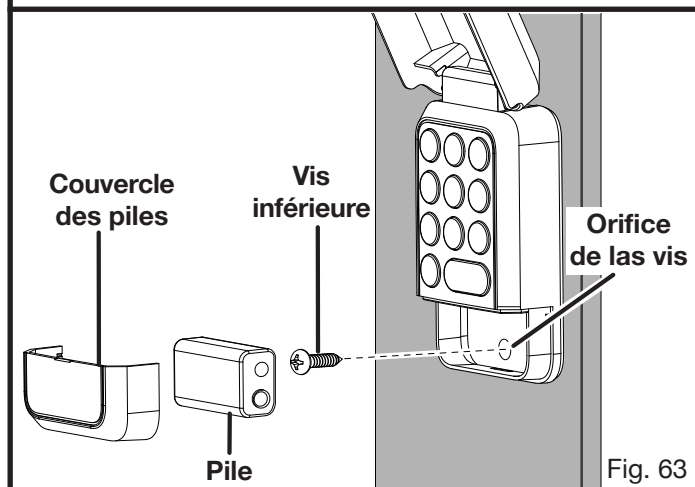
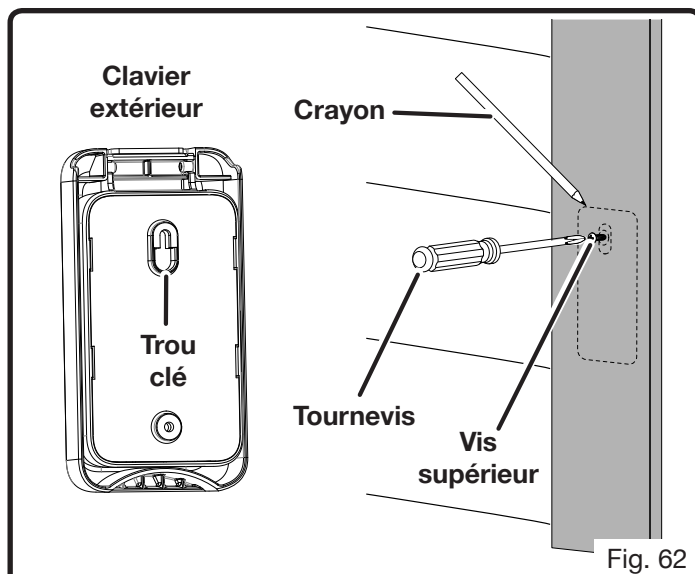
S'assurer que le clavier est installé suffisamment haut pour éviter toute activation accidentelle de l'ouvre-porte de garage. Il doit être installé à au moins 1,5 m (5 pi) au-dessus du sol afin que les enfants ne puissent l'atteindre. Une activation non prévue de l'ouvre-porte représente un risque de blessures graves ou mortelles.

⚠ AVERTISSEMENT :

Ne pas mettre en marche ou arrêter le moteur si une personne ou un objet se trouve dans la trajectoire de la porte, si la porte est déséquilibrée ou si l'entrée de porte est hors de vue. Des blessures graves ou mortelles peuvent survenir si ces instructions ne sont pas respectées.

NOTE : Avant de l'installer, programmer le clavier extérieur et s'assurer qu'il actionnera l'ouvre-porte de garage à partir de l'endroit souhaité. Consulter le chapitre **Programmation du clavier extérieur** à la section *Fonctionnement*.

- Trouver un endroit souhaité à l'extérieur et en vue de la porte de garage.
NOTE : Le clavier doit être installé à au moins 1,5 m (5 pi) au-dessus du sol afin que les enfants ne puissent l'atteindre.
- Utiliser un crayon pour marquer l'emplacement du trou de vis et installer la vis supérieure.
- Placer la partie large du trou piriforme sur la tête de la vis supérieure.
- Glisser le clavier vers le bas jusqu'à ce que la vis supérieure se trouve dans la partie étroite du trou piriforme.
- Retirer le couvercle des piles et le pile de 9 V.
- Utiliser un niveau pour assurer la position verticale du clavier puis installer la vis inférieure dans le trou de vis.
- Installer le pile de 9 V.
- Remettre le couvercle des piles.



- Pour connaître les instructions de programmation, consulter le chapitre **Programmation du clavier extérieur** à la section *Fonctionnement*.

INSTALLATION

ALIGNEMENT DU CAPTEURS DE SÉCURITÉ

Voir la figure 65 et 66.

⚠ AVERTISSEMENT :

NE PAS faire fonctionner l'ouvre-porte de garage sans avoir installé les capteurs de sécurité et vérifier leur bon fonctionnement. Une mauvaise installation et le mauvais fonctionnement des capteurs de sécurité représentent un risque de blessures graves ou mortelles.

⚠ AVERTISSEMENT :

L'efficacité des capteurs de sécurité inclus avec ce système est directement reliée à leurs positions et à l'installation de ces derniers. Des capteurs mal positionnés ou mal installés peuvent nuire à leur bon fonctionnement et représentent un risque de blessure grave ou mortelle.

AVIS :

La porte de garage ne se fermera pas sauf si les capteurs de sécurité sont installés, câblés et alignés correctement.

AVIS :

Cette tâche requiert que l'ouvre-porte de garage soit branché à une source d'alimentation.

- Installer et câbler les capteurs de sécurité, comme décrit précédemment dans cette section.
- Brancher l'ouvre-porte de garage dans une source d'alimentation CA.

NOTE : S'assurer que l'alimentation est de 120 V, c.a. (courant résidentiel standard), 60 Hz.

- Lorsque le câblage est effectué correctement, les témoins DEL des deux capteurs seront constamment allumés. Si une ou les deux ampoules DEL ne s'allument pas, débrancher l'ouvre-porte de garage et s'assurer que le câblage des capteurs est effectué correctement. Si le problème persiste, consulter le tableau **Rétroaction du diagnostic de capteur de sécurité** plus loin dans ce manuel.
- Les témoins DEL des deux capteurs constamment allumés signifient que les capteurs sont alignés et qu'aucune mise au point n'est nécessaire.
- Le voyant DEL rouge s'allume et le voyant DEL vert clignote lorsqu'il se produit des interférences avec le capteur. La cause d'interférence la plus fréquente est la lumière directe du soleil. Si nécessaire, retirer les attaches qui fixent le capteur et l'éloigner de l'ouvre-porte de garage afin d'éviter afin de le protéger des rayons du soleil.
- Les capteurs doivent être alignés lorsque le témoin DEL rouge est allumé, mais que le témoin DEL vert est éteint.

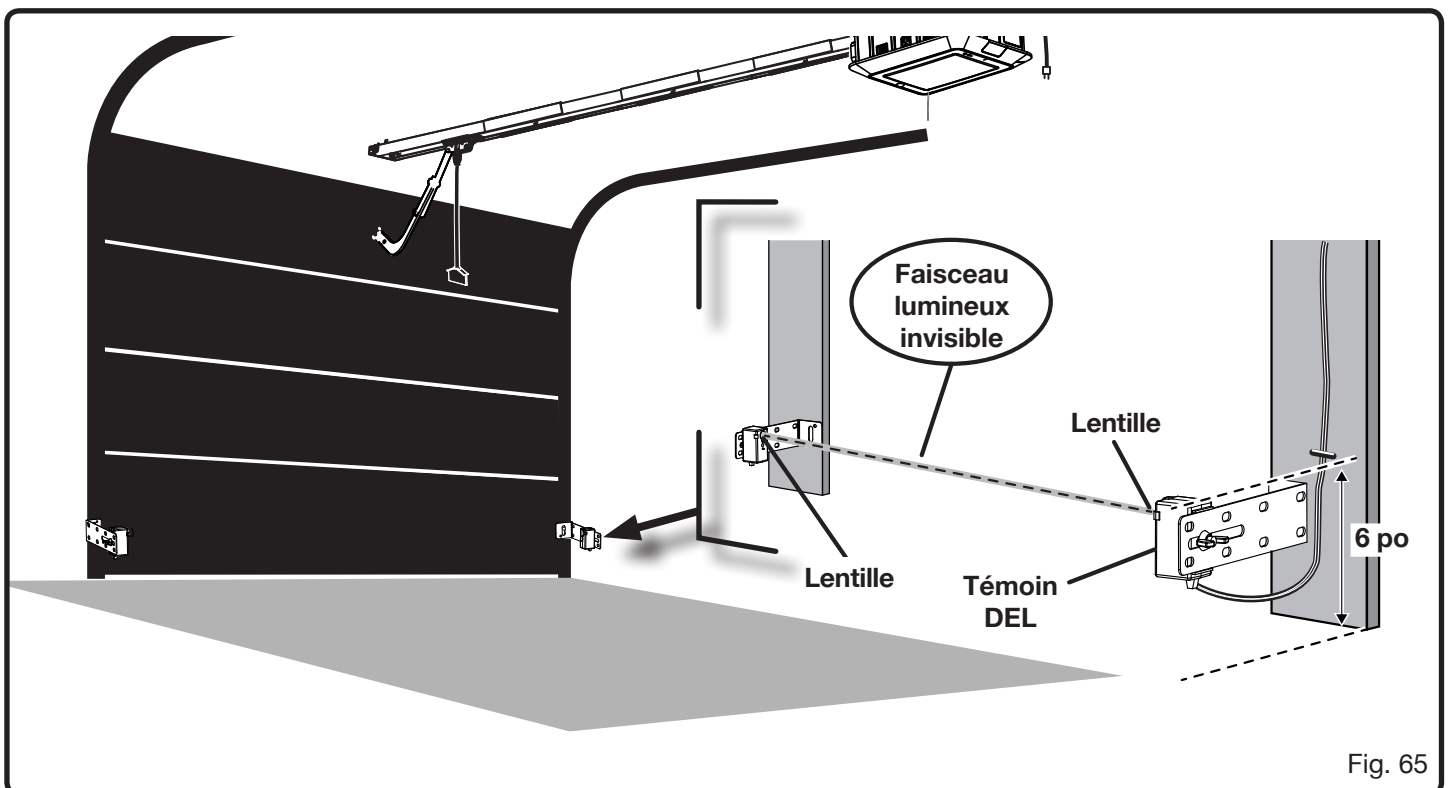


Fig. 65

INSTALLATION

- **Pour aligner les capteurs de sécurité :** Desserrer, sans retirer, les fixations maintenant les capteurs en place et ajuster la position des capteurs jusqu'à ce que les lentilles de la émetteur et récepteur sont alignées directement face à face.
- Serrer les fixations dès que les capteurs sont correctement alignés.
- Lorsque les lentilles du capteur sont correctement positionnées, le faisceau lumineux invisible émis par la émetteur sera capté par le récepteur et les témoins DEL seront constamment allumés.

NOTE : Si un objet traverse la trajectoire du faisceau, la porte de garage ouverte ne se fermera pas et une porte de garage en cours de fermeture doit s'arrêter et se rouvrir complètement.

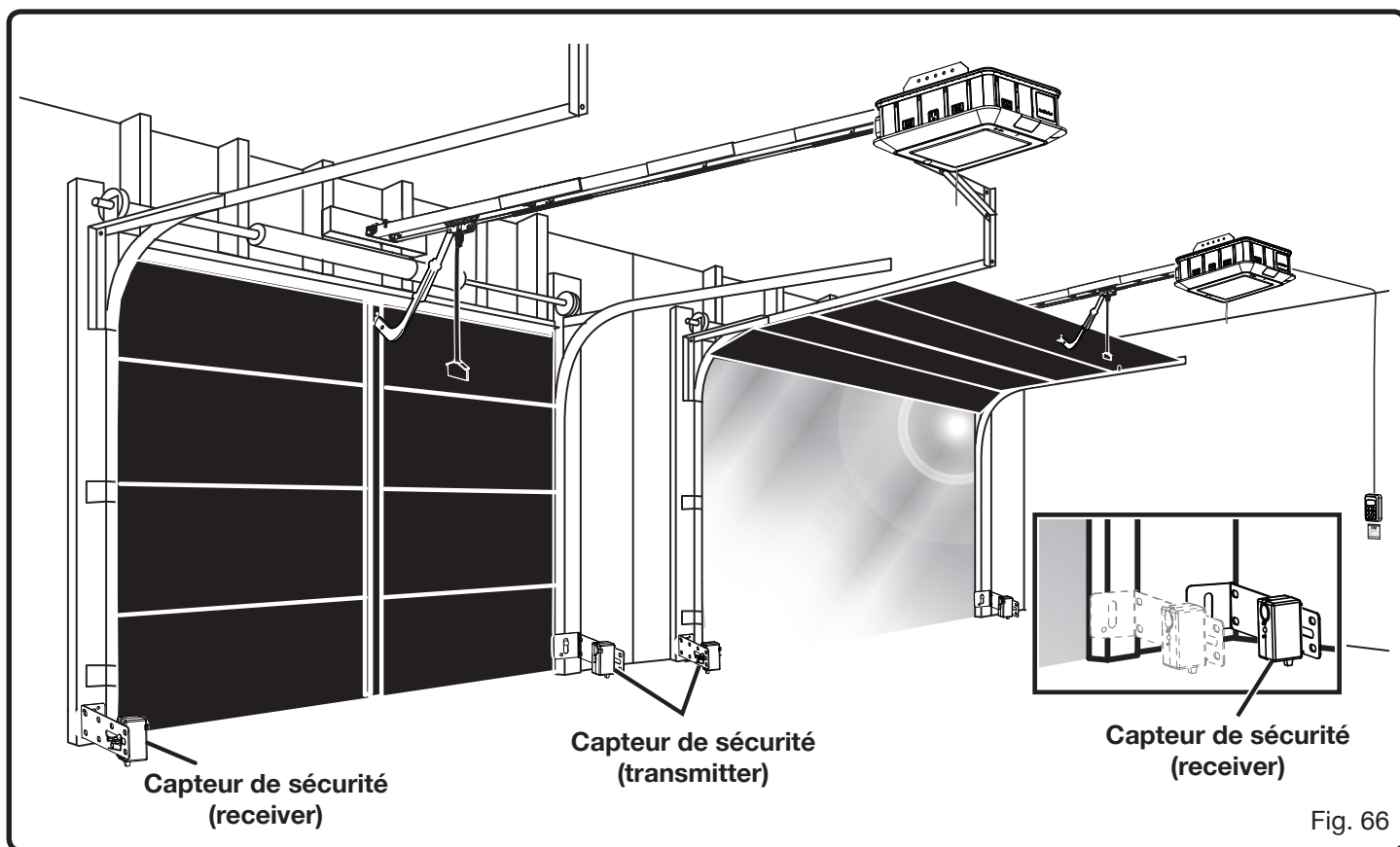
Alignement des capteurs de sécurité pour plusieurs portes :

Au moment d'installer des ouvre-portes de garage, prendre des précautions particulières afin de prévenir un mauvais alignement et le croisement des signaux entre chaque ensemble de capteurs.

- Si possible, installer des capteurs émetteurs sur une surface adjacente de sorte qu'ils soient dirigés vers les récepteurs et non vers les autres capteurs émetteurs.
- Brancher l'ouvre-porte de garage à l'alimentation secteur en courant alternatif.

NOTE : S'assurer que l'alimentation électrique fournit un courant résidentiel standard, 120 volts, C.A. uniquement, 60 Hz.

- Aligner chaque ensemble de capteurs tel que décrit ci-dessus.



INSTALLATION

RÉTROACTION DU DIAGNOSTIC DE CAPTEUR DE SÉCURITÉ

FONCTIONS DU TÉMOIN			
TÉMOIN ROUGE (ÉMETTEUR)	TÉMOIN VERT (RÉCEPTEUR)	PROBLÈME	SOLUTION
MARCHE	MARCHE	Aucun problème indiqué	Aucune action requise
ARRÊT	ARRÊT	Le moteur est débranché ou la pile est épuisée Câbles du moteur possiblement endommagés Câbles non raccordés Câbles raccordés à la mauvaise cosse Un ou les deux capteurs sont défectueux	Raccorder à l'alimentation électrique ou charger la pile Remplacer les câbles endommagés ou brisés Raccorder les câbles au moteur Raccorder les câbles aux bonnes cosses Communiquer avec le service à la clientèle pour obtenir de l'aide
ARRÊT	MARCHE	Un ou les deux capteurs sont défectueux	Communiquer avec le service à la clientèle pour obtenir de l'aide
MARCHE	ARRÊT	Les capteurs de sécurité sont désalignés Les capteurs de sécurité sont obstrués Un ou les deux capteurs sont défectueux Le capteur de sécurité (émetteur) n'émet pas de faisceau	Aligner les capteurs de sécurité Retirer tous les objets se trouvant entre les capteurs de sécurité Communiquer avec le service à la clientèle pour obtenir de l'aide Communiquer avec le service à la clientèle pour obtenir de l'aide
MARCHE	CLIGNOTENT	Capteur de sécurité (récepteur) exposé aux rayons de soleil directs Un ou les deux capteurs sont défectueux	Modifier la position du capteur de sécurité (récepteur) ou permuter la position des deux capteurs. (Voir figure 66.) Communiquer avec le service à la clientèle ou un centre de réparations autorisé pour obtenir de l'aide

INSTALLATION

RÉGLAGE DES LIMITES DE TRAJECTOIRE DE LA PORTE

Voir les figures 67 à 74.

⚠ DANGER :

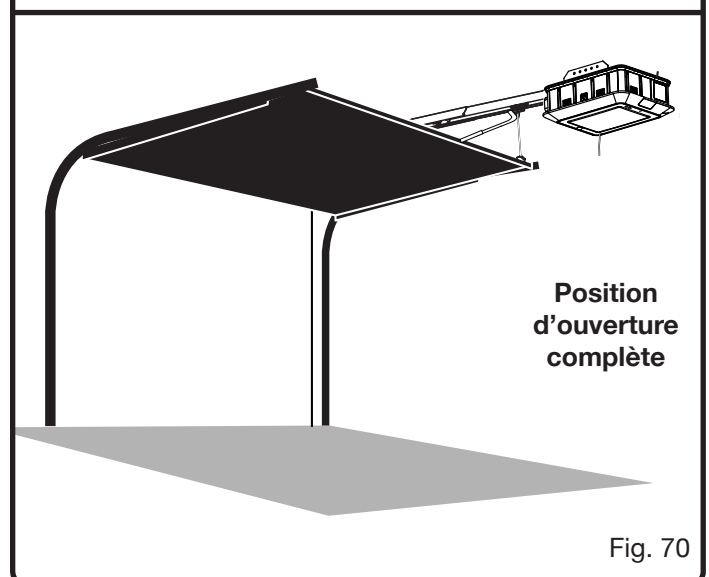
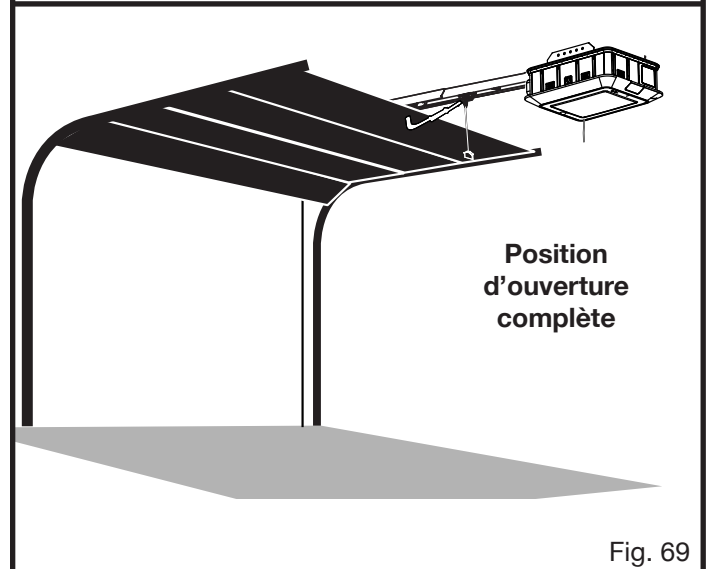
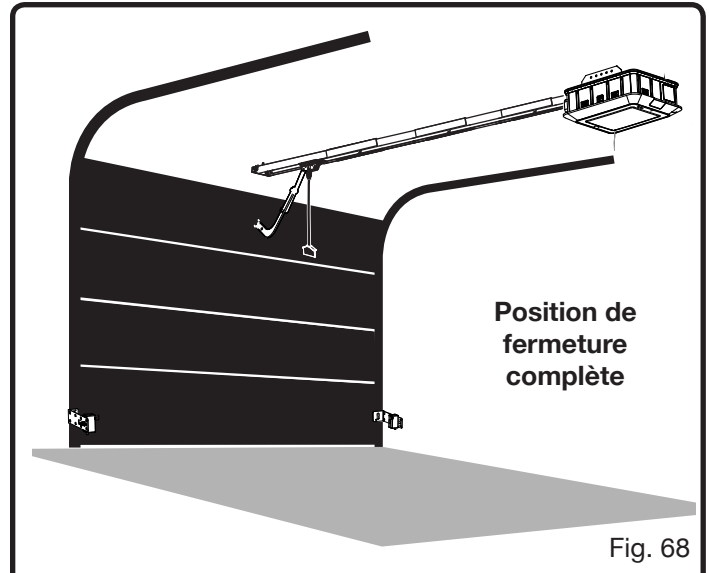
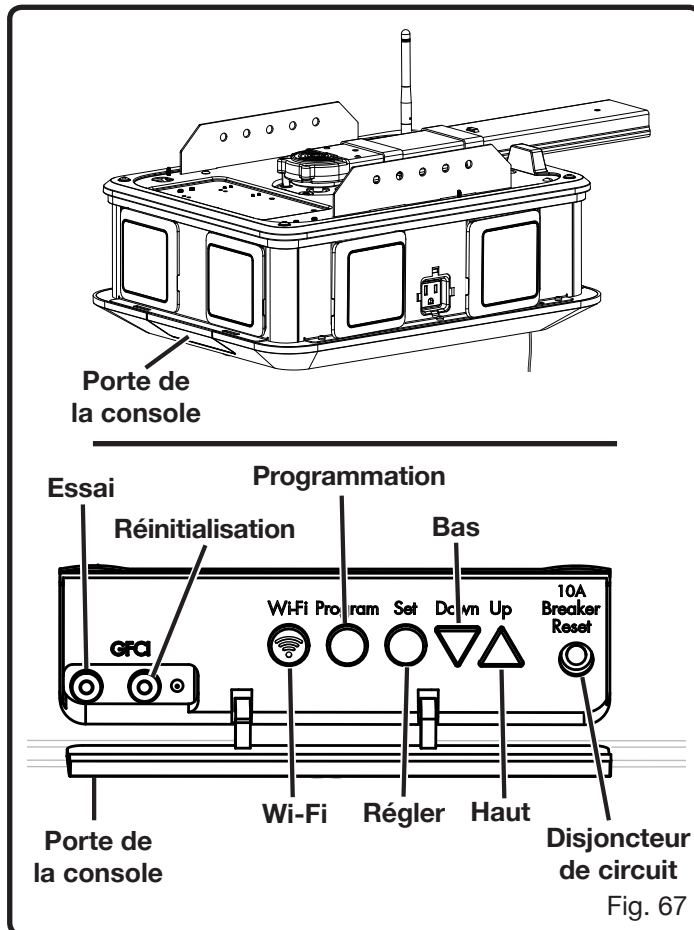
S'assurer que les capteurs de sécurité sont installés et fonctionnent correctement. Sans la mise en place de dispositifs de sécurité adéquats, la fermeture d'une porte de garage représente un risque de blessures graves ou mortelles pour toute personne se trouvant dans sa trajectoire.

AVIS :

Cette tâche requiert que l'ouvre-porte de garage soit branché à une source d'alimentation.

La console de l'ouvre-porte de garage facilite le réglage des positions d'ouverture et de fermeture de la porte. L'ouvre-porte détectera automatiquement le poids de la porte et livrera la force requise pour l'ouverture et la fermeture.

Lorsque la porte de garage est complètement fermée, il ne devrait pas y avoir d'espace entre la porte et le plancher du garage. Lorsque la porte de garage est complètement ouverte,



INSTALLATION

il devrait y avoir un espace suffisant pour que les véhicules puissent passer librement sous la porte. Être prudent lors du réglage de la position d'ouverture des portes de garage à panneau simple. Si l'ouverture du panneau simple de la porte est trop grande et qu'elle commence à s'incliner vers l'arrière, un rebond ou un mouvement saccadé peut survenir pendant le mouvement de la porte. Voir la figure 71.

AVIS :

Ne pas ouvrir ou fermer la porte de garage en utilisant le clavier intérieur ou les télécommandes tant que les limites de trajectoire n'ont pas été réglées correctement. L'utilisation de ces dispositifs peut endommager gravement la porte de garage ou l'ouvre-porte de garage.

- Raccorder l'ouvre-porte de garage à une source d'alimentation CA.

NOTE : S'assurer que l'alimentation est de 120 V, c.a. (courant résidentiel standard), 60 Hz.

Avant de régler la limite de trajectoire :

- Tirer la corde de déverrouillage de secours vers le bas et ouvrir manuellement la porte de garage jusqu'à ce que le chariot extérieur s'engage dans le chariot intérieur.

⚠ AVERTISSEMENT :

Confirmez que le chariot intérieur est bien dans le sens indiqué sur la figure 72. Un chariot intérieur mal installé peut entraîner le déplacement en sens contraire de l'ouvre-porte de garage et le mouvement imprévu de la porte de garage pourrait causer la mort ou des blessures graves.

Dès que commencent les réglages de limites de trajectoire, ces derniers doivent être établis en deux (2) minutes. Si l'étape n'est pas terminée à l'intérieur de ces deux (2) minutes, les renseignements de position de limites de trajectoire d'ouverture et de fermeture de la porte seront supprimés.

Pour régler la limite de trajectoire de la position d'ouverture :

- Ouvrir la porte de la console.
- Appuyer et maintenir le bouton **UP** (vers le haut) enfoncé pendant trois (3) secondes. Après avoir relâché le bouton, celui-ci commencera à clignoter et clignotera continuellement tant que la limite de trajectoire n'est pas réglée.
- Appuyer et maintenir le bouton **UP** (vers le haut) pour déplacer la porte de garage vers la position d'ouverture.
- Pour les réglages fins, appuyer et relâcher les boutons **UP** (vers le haut) ou **DOWN** (vers le bas).
- Dès que la porte a atteint sa position d'ouverture, appuyer sur le bouton **SET** (régler) pour enregistrer la limite de trajectoire. Dès que la limite de trajectoire est enregistrée,

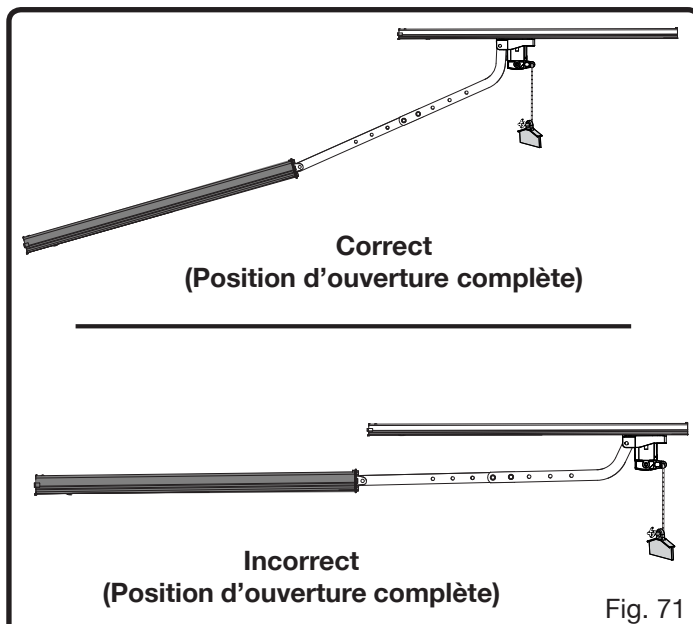


Fig. 71

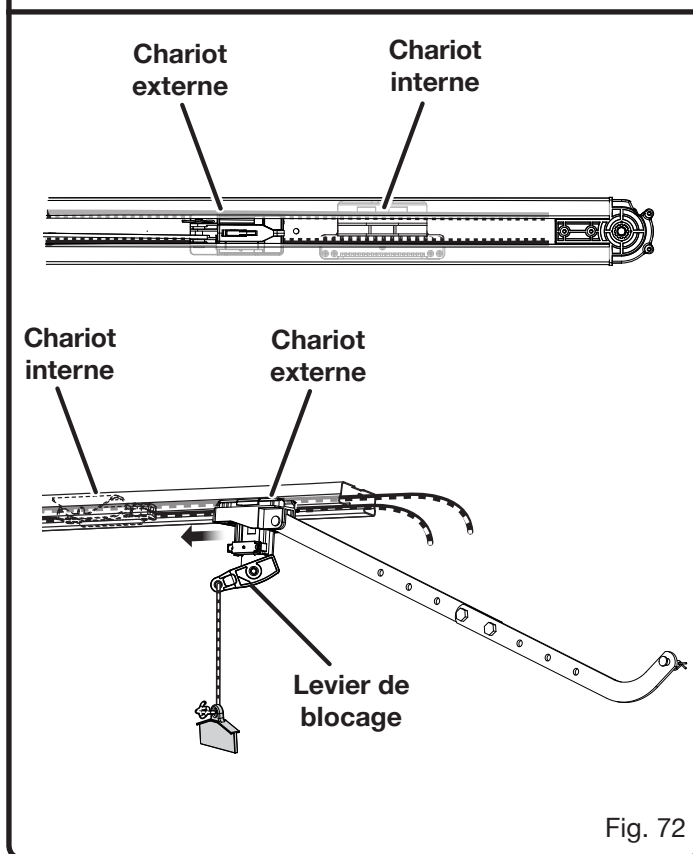


Fig. 72

le bouton **UP** (vers le haut) cessera de clignoter et sera continuellement fixe.

NOTE : Si les capteurs de sécurité sont obstrués pendant la procédure, les renseignements de limite de trajectoire de position d'ouverture et de fermeture de la porte seront annulés.

INSTALLATION

⚠ AVERTISSEMENT :

Si vous n'êtes pas en mesure de régler d'abord la limite de déplacement à partir de la position ouverte, n'allez pas de l'avant en tentant de régler la limite de déplacement à partir de la position fermée. Si les limites de déplacement ne sont pas réglées et que la porte ne se déplace pas dans la direction prévue comme décrite dans ce manuel d'utilisation, n'utilisez pas l'ouvre-porte de garage et contactez le service à la clientèle ou un technicien qualifié pour obtenir de l'aide. L'utilisation d'un ouvre-porte de garage qui ne fait pas fonctionner la porte de garage dans le bon sens peut tuer ou blesser gravement quelqu'un situé sur le chemin de la porte en mouvement.

Pour régler la limite de trajectoire de la position de fermeture :

- Appuyer et maintenir le bouton **DOWN** (vers le bas) enfoncé pendant trois (3) secondes. Après avoir relâché le bouton, celui-ci commencera à clignoter et clignotera continuellement tant que la limite de trajectoire n'est pas réglée.
- Appuyer et maintenir le bouton **DOWN** (vers le bas) pour déplacer la porte vers sa position de fermeture.
- Pour les réglages fins, appuyer et relâcher les boutons **UP** (vers le haut) ou **DOWN** (vers le bas).
- Dès que la porte a atteint sa position de fermeture, appuyer sur le bouton **SET** (régler) pour enregistrer la limite de trajectoire. Dès que la limite de trajectoire est enregistrée, le bouton **DOWN** (vers le bas) cessera de clignoter et sera continuellement fixe.

NOTE : Si les capteurs de sécurité sont obstrués pendant la procédure, les renseignements de limite de trajectoire de position d'ouverture et de fermeture de la porte seront annulés.

Pour faire un essai des limites de trajectoire :

NOTE : L'ouvre-porte de garage ne fonctionnera pas à l'aide des télécommandes ou des claviers tant que l'essai des limites de trajectoire n'est pas réalisé.

- Appuyer et relâcher le bouton **UP** (vers le haut) et s'assurer que la porte se déplace conformément à la position d'ouverture enregistrée. Le bouton clignotera pendant le déplacement de la porte et passera au fixe continu dès que la porte a atteint sa position d'ouverture.
- Appuyer et relâcher le bouton **DOWN** (vers le bas) et s'assurer que la porte se déplace conformément à la position de fermeture enregistrée. Le bouton clignotera pendant le déplacement de la porte et passera au fixe continu dès que la porte a atteint sa position de fermeture.

NOTE : Dès que l'essai est terminé, les témoins des boutons **UP** (vers le haut) et **DOWN** (vers le bas) s'éteindront.

- Si les limites de trajectoire sont inexactes, elles peuvent être effacées en appuyant et en maintenant le bouton **UP** (vers le haut) pendant trois (3) secondes.

Si une alarme retentit pendant le réglage ou l'essai des limites de trajectoire, ceci signifie que l'ouvre-porte de garage a détecté un problème. Les renseignements de

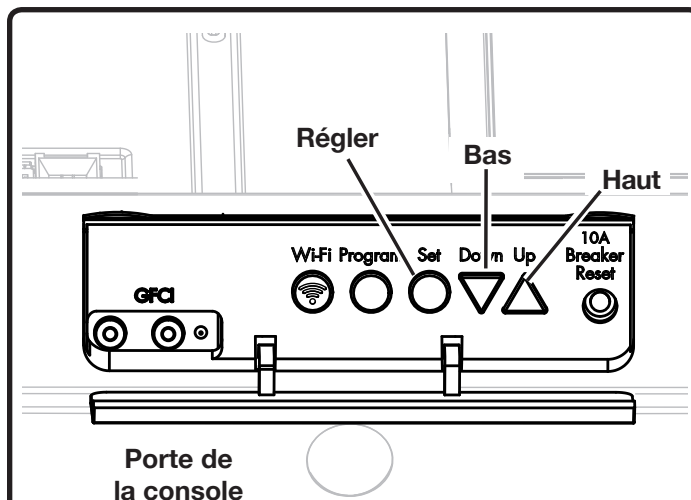
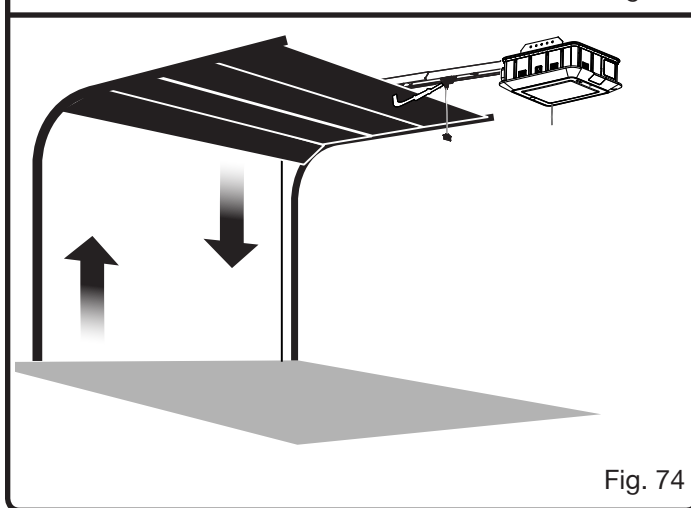


Fig. 73



limites de trajectoire d'ouverture et de fermeture de la porte seront supprimés et ne pourront être réinitialisés tant que le problème n'est pas résolu. Pour plus de détails, consulter la section *Dépannage* plus loin dans le manuel.

ESSAI DU SYSTÈME DE RÉOUVERTURE AUTOMATIQUE

Voir la figure 75.

⚠ DANGER :

Faire l'essai du système de réouverture automatique après l'installation, avant la première utilisation, tous les mois et après toutes les mises au point du réglage de limites de trajectoire de la porte de garage. La porte de garage doit s'arrêter et se rouvrir complètement au contact d'un objet d'une épaisseur de 38,1 mm (1 1/2 po) (ou un morceau de bois de 50,8 x 101,6 mm [2 x 4 po] déposé à plat) sur le sol. Si le système de réouverture automatique ne fonctionne pas correctement, la fermeture d'une porte de garage représente un risque de blessures graves ou mortelles pour toute personne se trouvant dans sa trajectoire.

INSTALLATION

⚠️ AVERTISSEMENT :

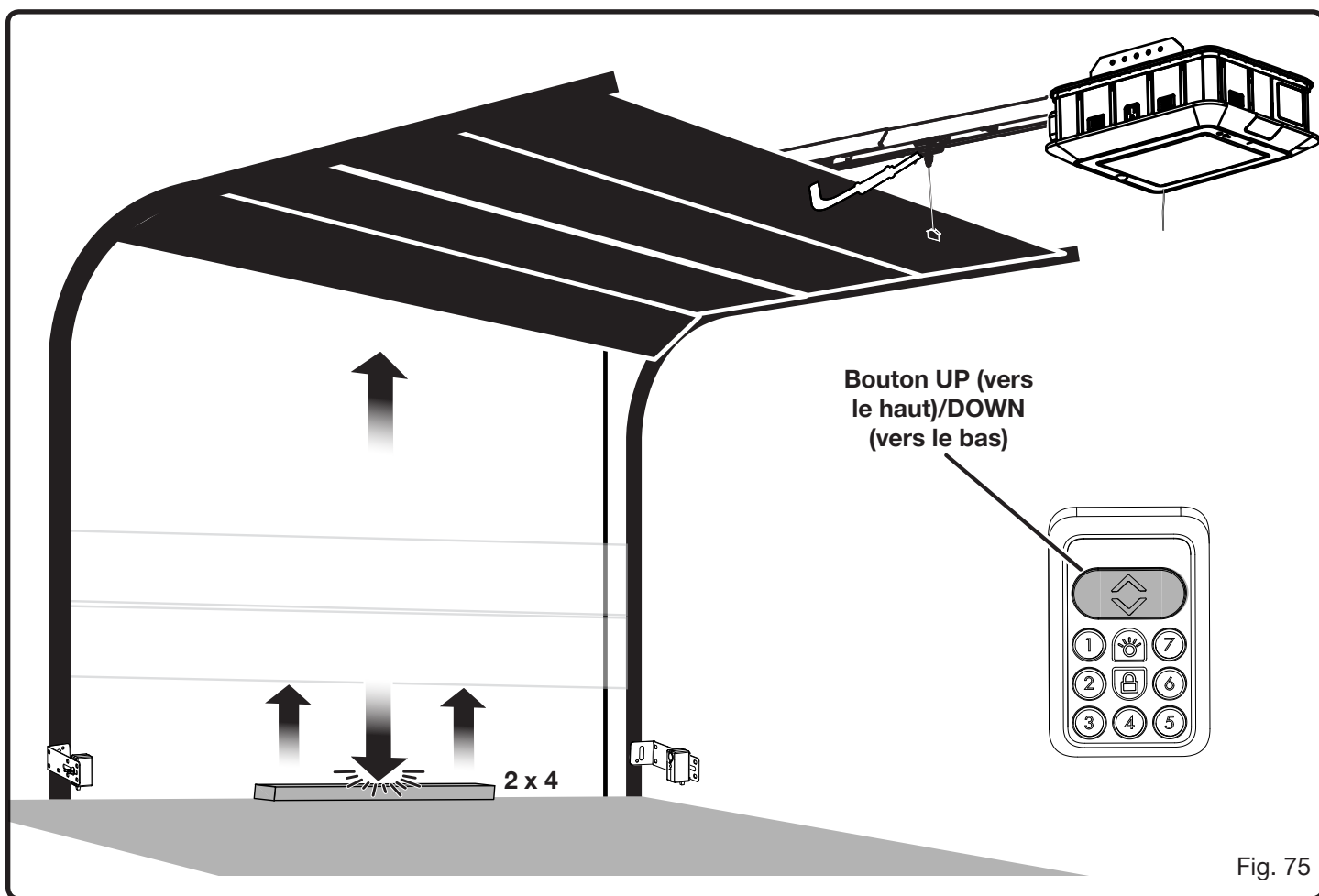
NE PAS faire fonctionner l'ouvre-porte de garage sans avoir vérifié le bon fonctionnement du système de réouverture automatique. Respecter cette consigne afin de réduire le risque de blessures graves ou mortelles.

AVIS :

Cette tâche requiert que l'ouvre-porte de garage soit branché à une source d'alimentation.

- Installer et câbler le clavier intérieur comme décrit plus tôt à la section *Installation*.
- Raccorder l'ouvre-porte de garage à une source d'alimentation CA.
NOTE : S'assurer que l'alimentation est de 120 V, c.a. (courant résidentiel standard), 60 Hz.
- Appuyer et relâcher le bouton **UP** (vers le haut)/**DOWN** (vers le bas) du clavier intérieur pour ouvrir la porte de garage.

- Placer un morceau de bois de 38,1 mm (1 1/2 po) (environ la dimension d'un morceau de 50,8 x 101,6 mm [2 x 4 po] posé à plat) sur le plancher du garage, sous la porte.
- Appuyer et relâcher le bouton **UP** (vers le haut)/**DOWN** (vers le bas) du clavier intérieur pour fermer la porte de garage. Dès que la porte touche le morceau de bois, elle devrait se rouvrir immédiatement.
NOTE : Après le contact de la porte avec le morceau de bois, une alarme se fera entendre cinq (5) fois et les témoins DEL de l'ouvre-porte de garage clignoteront cinq (5) fois.
- Le système de réouverture automatique fonctionne correctement lorsque la porte de garage se rouvre après avoir touché le morceau de bois et aucun autre réglage n'est requis.
- Si la porte de garage s'arrête avant d'avoir touché le morceau de bois ou touche le morceau de bois puis s'arrête, augmenter la limite de trajectoire de la position de fermeture et refaire un essai.
- Si le système de réouverture automatique ne fonctionne toujours pas correctement, communiquer avec le Service à la clientèle ou un réparateur qualifié pour obtenir de l'aide.



INSTALLATION

À la fin de l'installation et de la configuration de votre ouvre-porte de garage et des commandes, effectuez tous les éléments de la liste de contrôle suivante pour assurer que l'ouvre-porte de garage fonctionne correctement :

AVERTISSEMENT :

Le non-respect de l'achèvement de la liste de vérification d'installation et de la vérification du bon fonctionnement de l'ouvre-porte de garage peut causer la mort ou des blessures graves.

LISTE DE VÉRIFICATION D'INSTALLATION	✓
Utilisez le clavier à l'intérieur pour ouvrir et fermer la porte de garage. Assurez-vous que la porte de garage se déplace facilement de la position d'ouverture complète à la position de fermeture complète, et de la position de fermeture complète à la position d'ouverture complète.	
Avec la porte de garage soulevée, placez une planche de 38,10 mm (1-1/2 po) (environ la taille d'un 2x4 posé à plat) sur le plancher du garage sous la porte et tentez de fermer la porte sur l'objet. Assurez-vous que la porte de garage inverse le sens automatiquement lorsqu'elle touche à l'objet.	
Avec la porte de garage soulevée, appuyez sur le bouton HAUT/BAS (UP/DOWN) sur le clavier à l'intérieur pour fermer la porte. Passez un objet, comme un manche à balai, entre les capteurs de sécurité pour interrompre le faisceau de sécurité lorsque la porte s'abaisse. Assurez-vous que la porte de garage se soulève automatiquement lorsque le faisceau est interrompu.	
Avec la porte de garage abaissée, tirez la poignée de sécurité pour dégager la porte du mécanisme d'entraînement. Assurez-vous que la porte se déplace librement une fois que le chariot extérieur se dégage du chariot intérieur. Une fois que c'est confirmé, utilisez le clavier à l'intérieur pour que le mécanisme d'entraînement effectue un cycle de travail et s'engage à nouveau à la porte.	
Si l'ouvre-porte de garage a été connecté à l'application pour le système de accessoire de l'ouvre-porte RYOBI, essayez cette application avant de l'utiliser. Avec la porte de garage soulevée, essayez d'abaisser la porte à l'aide de l'application pour téléphone intelligent. Assurez-vous que le témoin lumineux de l'ouvre-porte de garage clignote et qu'un signal sonore est émis pendant quelques secondes avant que la porte commence à s'abaisser.	

Si l'un des éléments ci-dessus ne fonctionne pas comme décrit dans ce manuel d'utilisation, n'utilisez pas l'ouvre-porte de garage et contactez le service à la clientèle ou un technicien qualifié pour obtenir de l'aide.

UTILISATION

INSTRUCTIONS IMPORTANTES CONCERNANT LA SÉCURITÉ

⚠️ AVERTISSEMENT : **POUR RÉDUIRE LE RISQUE DE BLESSURES GRAVES OU LA MORT :**

1. LIRE ET SUIVRE TOUTES LES INSTRUCTIONS.
2. Ne jamais laisser les enfants faire fonctionner ou jouer avec les commandes de la porte. Garder la télécommande hors de la portée des enfants.
3. Toujours surveiller une porte en mouvement et tenir les personnes ou objets éloignés tant que la porte n'est pas complètement fermée. **PERSONNE NE DOIT TRAVERSER LA TRAJECTOIRE D'UNE PORTE EN MOUVEMENT.**
4. **NE JAMAIS PASSER SOUS UNE PORTE PARTIELLEMENT OUVERTE.**
5. Faire un essai mensuel de l'ouvre-porte : La porte de garage **DOIT** se rouvrir au contact d'un objet d'une épaisseur de 38,1 mm (1 1/2 po) (ou un morceau de bois de 50,8 x 101,6 mm [2 x 4 po] déposé à plat) sur le sol. Réinitialiser l'ouvre-porte après avoir effectué les réglages de tension ou de limite de trajectoire de la porte. Un réglage mal effectué de l'ouvre-porte représente un risque de blessures graves ou mortelles.
6. Pour les produits exigeant un déverrouillage de secours, utiliser si possible ce déverrouillage de secours seulement si la porte est fermée. Utiliser ce déverrouillage de secours avec prudence. Des ressorts usés ou brisés représentent un risque de chute rapide de la porte et de causer des blessures graves ou mortelles.
7. **L'ÉQUILIBRE DE LA PORTE DE GARAGE DOIT ÊTRE MAINTENU.** Consulter le manuel d'utilisation. Une porte déséquilibrée représente un risque de blessures graves ou mortelles. Appeler un réparateur qualifié pour effectuer les réparations du câblage, des assemblages de ressorts et de la quincaillerie.
8. Cet élément de commande est doté d'une caractéristique de fonctionnement sans surveillance. La porte peut se déplacer de manière imprévisible. **PERSONNE NE DOIT TRAVERSER LA TRAJECTOIRE D'UNE PORTE EN MOUVEMENT.**

9. **CONSERVER CES INSTRUCTIONS.**

⚠️ AVERTISSEMENT :

Ne laissez pas la familiarité tirée d'une utilisation fréquente de ce type de produit atténuer votre vigilance. Ne pas oublier qu'une fraction de seconde d'inattention peut entraîner des blessures graves ou mortelles.

⚠️ AVERTISSEMENT :

N'utilisez aucun ajout ni accessoire non-recommandé par le fabricant de ce produit. L'utilisation de pièces et accessoires non recommandés peut entraîner des mortelles ou blessures graves.

⚠️ AVERTISSEMENT :

Risque de piégeage. Utiliser seulement les piles de 18 volts au lithium-ion RYOBI ONE+™ dans ce produit. Ce produit est équipée d'une pile de secours fonctionnalité qui peut fonctionner l'ouvre-porte de garage dans le cas d'une perte de puissance et ne peut être utilisé avec des piles de lithium-ion (Li-ion). L'utilisation de tout autre type de piles peut provoquer le système de pile de secours pour ne pas fonctionner correctement, ce qui peut entraîner la mort ou des blessures graves.

⚠️ AVERTISSEMENT :

Pour éviter les **BLESSURES GRAVES** ou **MORTELLES**, **NE PAS** ouvrir la porte de garage en présence d'un incendie, sauf si cette issue est la seule disponible. **APPELEZ** le 911 ou le service d'incendie. L'ouverture de la porte de garage risque de provoquer la pénétration d'air frais pouvant causer la propagation rapide du feu.

AVIS :

Avant chaque utilisation, inspecter au complet le produit afin de s'assurer qu'aucune pièce (vis, écrous, boulons, chapeaux, etc.) n'est endommagée, manquante ou desserrée. Serrer solidement toutes les pièces de fixation et les chapeaux et ne pas utiliser le produit tant que toutes les pièces manquantes ou endommagées n'ont pas été remplacées. Pour obtenir de l'aide, veuillez communiquer avec le service à la clientèle.

Pour connaître toutes les instructions de charge, consulter la section Charge de pile plus loin dans ce manuel et les manuels d'utilisation du bloc-piles RYOBI ONE+™.

UTILISATION

AVIS :

Ce produit a été conçu pour être alimenté par un bloc-piles de lithium-ion (Li-ion) de 18 V ONE+™ de RYOBI (mode CC) ou une source d'alimentation électrique (mode CA). Cet appareil fonctionnera en mode CA dès qu'il est raccordé à une source d'alimentation électrique. Il passera en mode CC dès qu'un bloc-piles approuvé est installé et que l'appareil n'est pas raccordé à une source d'alimentation CA.

RACCORDEMENT DE L'OUVRE-PORTE DE GARAGE À UNE SOURCE D'ALIMENTATION ÉLECTRIQUE

Voir les figures 76 et 77.

Pour un courant alternatif (CA) :

- Assembler et installer l'ouvre-porte de garage comme décrit plus tôt à la section *Installation*.
 - Raccorder l'ouvre-porte de garage à une source d'alimentation CA.
- NOTE :** S'assurer que l'alimentation est de 120 V, c.a. (courant résidentiel standard), 60 Hz.
- S'assurer que le cordon d'alimentation ne pend pas excessivement et ne touche pas aux pièces mobiles.

Pour un courant continu (CC) :

- Débrancher l'ouvre-porte de garage.
- Ouvrez le couvercle du compartiment des piles.
- Insérer la batterie dans l'outil tel qu'illustré.
- S'assurer que les languettes de chaque côté du bloc-piles s'enclenchent correctement et que ce dernier est fixé correctement avant de démarrer l'appareil.

⚠ AVERTISSEMENT :

S'assurer que les loquets au bas du bloc-piles s'enclenchent correctement et que le bloc-piles est complètement enfoncé et sécurisé dans le logement de pile avant de commencer le travail. Un bloc-piles mal installé peut provoquer la chute du bloc-piles et causer des blessures graves ou dommages matériels.

- Fermer le couvercle du compartiment des piles.
- **Pour retirer le bloc-piles**, ouvrir la porte du logement de pile et appuyer sur les languettes situées de chaque côté du bloc-piles.

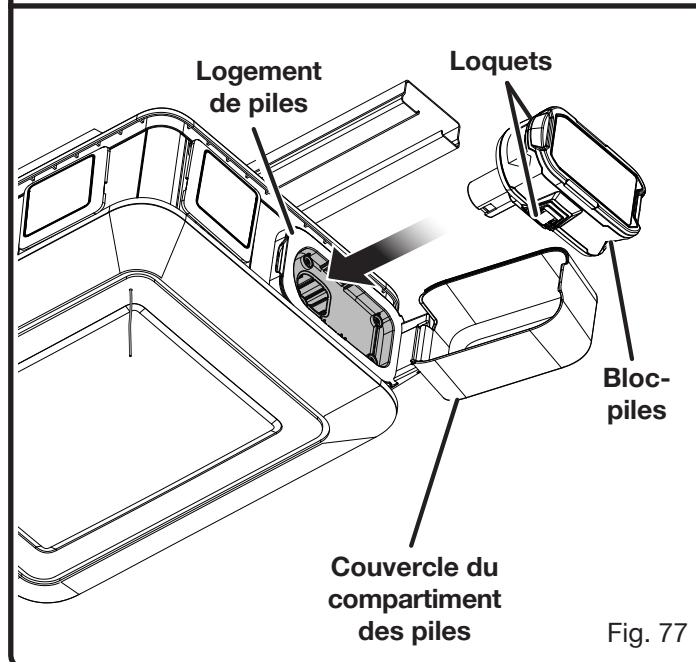
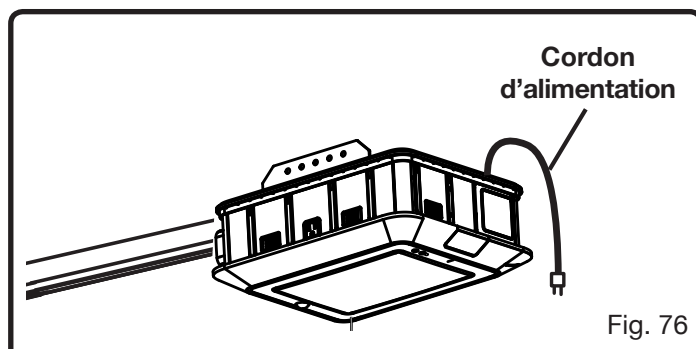
Lorsqu'un bloc-piles est installé et que le cordon d'alimentation est branché, le système de la porte de garage commencera la charge du bloc-piles.

CHARGE DU BLOC-PILES

Voir la figure 77.

Les bloc-piles sont expédiés avec une faible charge pour éviter des problèmes. Il est donc nécessaire de charger les bloc-piles avant d'utiliser l'outil. Si le bloc-piles de l'ouvre-porte de garage ne se charge pas lors de circonstances normales, apporter le bloc-piles et l'ouvre-porte de garage au centre de réparations le plus près pour faire vérifier le système électrique.

- Raccorder l'ouvre-porte de garage à une source d'alimentation CA.
- Installer le bloc-piles dans l'ouvre-porte de garage, comme décrit plus tôt.
- Appuyer sur le bloc-piles pour assurer que ses contacts s'engagent correctement sur ceux du ouvre-porte de garage.
- Pendant la charge, le bloc-piles peut être légèrement chaud au toucher. Ceci est normal et n'est pas l'indication d'un problème.
- Lorsque la charge du bloc-piles est complète, retirer le bloc-piles ou le laisser brancher dans sa prise pour fournir une alimentation CC, le cas échéant.



UTILISATION

INSTALLATION DES ACCESSOIRES

Voir les figures 78 et 79.

L'ouvre-porte de garage peut fournir l'alimentation électrique pour plusieurs accessoires CA et CC. **Visiter le site www.ryobitools.com pour obtenir la liste complète des accessoires.**

⚠ AVERTISSEMENT :

Utiliser seulement les accessoires recommandés de la liste de notre site Internet, dans ce manuel et les addendas. L'emploi de tout accessoire non recommandé peut présenter un risque de blessure. Les instructions de sécurité d'utilisation sont fournies avec les accessoires.

⚠ AVERTISSEMENT :

S'assurer que la connexion du accessoires à la prise de l'ouvre-porte de garage est sûre et adéquate. Un accessoire mal fixé représente un risque de chute pouvant causer des blessures graves ou des dommages aux biens.

Pour les accessoires CC :

- Sélectionner l'une des prises de accessoire pour alimenter le accessoire.
- Accrocher le accessoire au-dessus de l'ouvre-porte de garage et le brancher dans la prise du accessoire. S'assurer que la languette inférieure du accessoire est fermement insérée dans la prise de l'ouvre-porte de garage.

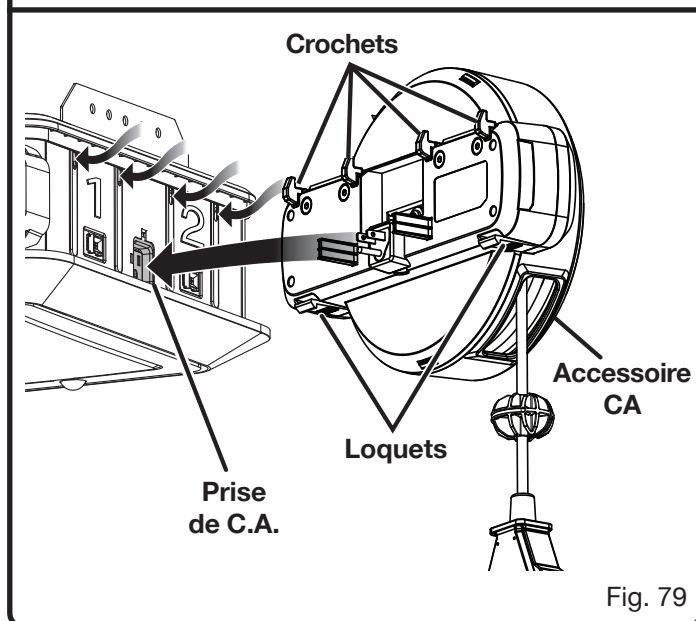
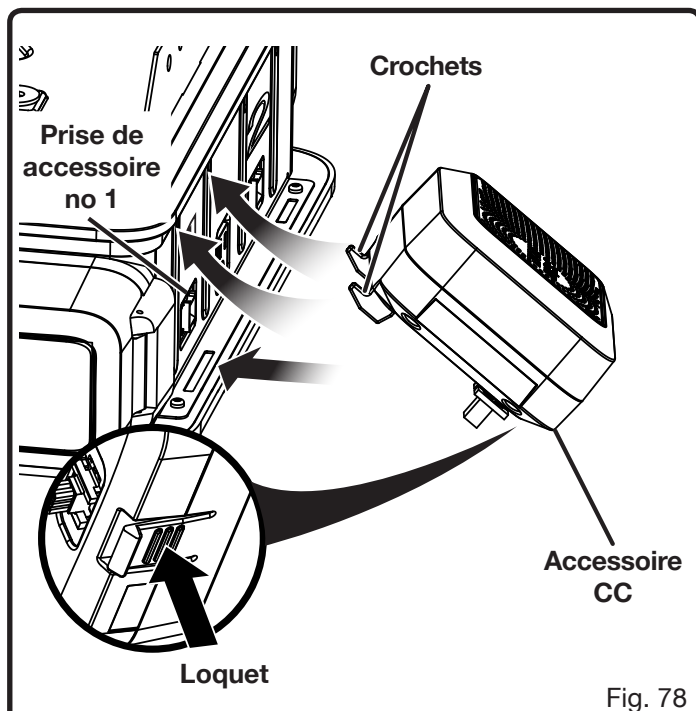
NOTE : Les accessoires CC ne sont pas alimentés tant que la prise du accessoire n'est pas activée. Consulter le chapitre **Utilisation du clavier intérieur** plus loin dans cette section.

- Appuyer sur les languettes pour dégager et retirer le accessoire.

For AC accessoires:

- Retirer les deux couvercles de prise du accessoire du côté où sera installé le accessoire.
- Insérer le accessoire CA dans le réceptacle CA, comme illustré.
- Immobiliser le accessoire l'accrochant sur le dessus de l'ouvre-porte de garage et s'assurer que la languette inférieure du accessoire est insérée dans la prise de l'ouvre-porte de garage.
- Appuyer sur les languettes pour dégager et retirer le accessoire.

NOTE : Si l'ouvre-porte de garage est débranché et qu'un bloc-piles y est installé, les réceptacles CA et les prises de accessoire seront désactivés, mais les capteurs et les ampoules DEL fonctionneront normalement.



UTILISATION

UTILISATION DU CLAVIER INTÉRIEUR

Voir la figure 80.

AVERTISSEMENT :

Surveiller le mouvement de la porte lorsque le clavier intérieur est utilisé. Le contact avec une porte en mouvement représente un risque de blessures graves ou MORTELLES.

Le clavier intérieur est rétroéclairé dès que l'ouvre-porte de garage est raccordé à une source d'alimentation électrique. L'intensité du rétroéclairage du clavier clignote dès que le clavier est verrouillé.

- Installer et câbler le clavier intérieur comme décrit plus tôt à la section *Installation*.
- Pour ouvrir ou fermer la porte de garage, appuyer et relâcher le bouton **UP** (vers le haut)/**DOWN** (vers le bas).
- Pour activer ou quitter le mode d'absence, appuyer et relâcher le bouton **LOCK** (🔒) (verrouillage). Lorsque le mode d'absence de l'appareil est activé, la commande de l'ouvre-porte de garage ne peut s'effectuer qu'avec le

clavier intérieur ou l'application du téléphone intelligent. Les télécommandes de véhicule ou le clavier extérieur seront inopérants.

NOTE : Les témoins DEL du clavier intérieur clignoteront lorsque le mode d'absence de l'appareil est actif.

- Pour allumer ou éteindre les ampoules DEL, appuyer et relâcher le bouton **LIGHT** (💡) (éclairage).

NOTE : Lorsque le bouton **LIGHT** (💡) (éclairage) est enfoncé, les ampoules DEL éclaireront pendant trois (3) minutes.

Activation et désactivation des prises du accessoire :

- Pour activer la prise du accessoire, appuyer sur le chiffre correspondant à la prise désirée située sur le clavier intérieur. Par exemple, pour activer la prise no 2 du accessoire, appuyer sur le **CHIFFRE 2** du clavier.

NOTE : Une prise de accessoire active peut être utilisée pour alimenter les accessoires CC. Plusieurs prises peuvent être activées à la fois.

- Pour désactiver la prise du accessoire, appuyer sur le chiffre correspondant à la prise à désactiver situé sur le clavier intérieur.

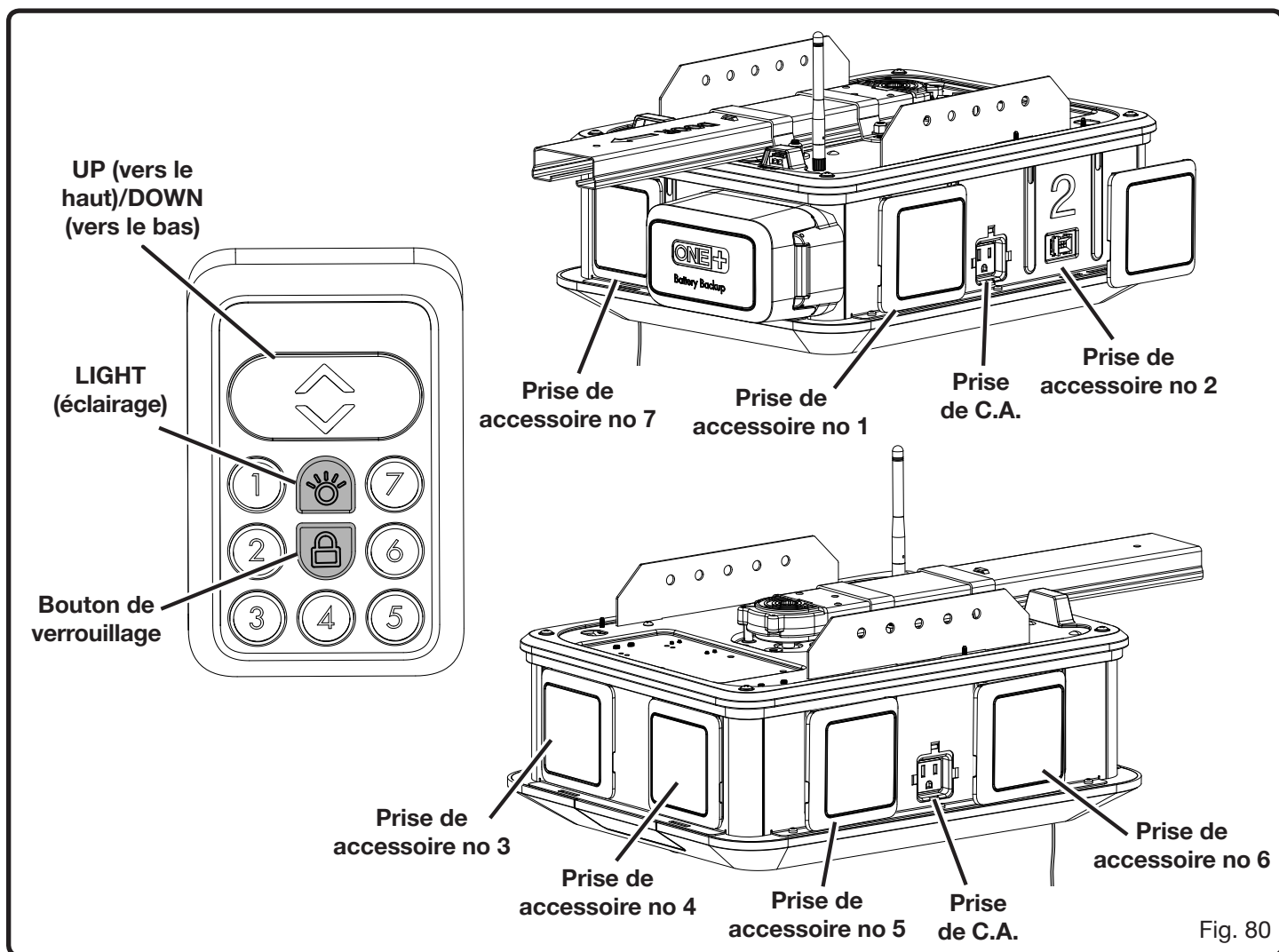


Fig. 80

UTILISATION

ESSAI DU SYSTÈME DE RÉOUVERTURE AUTOMATIQUE

Voir la figure 81.

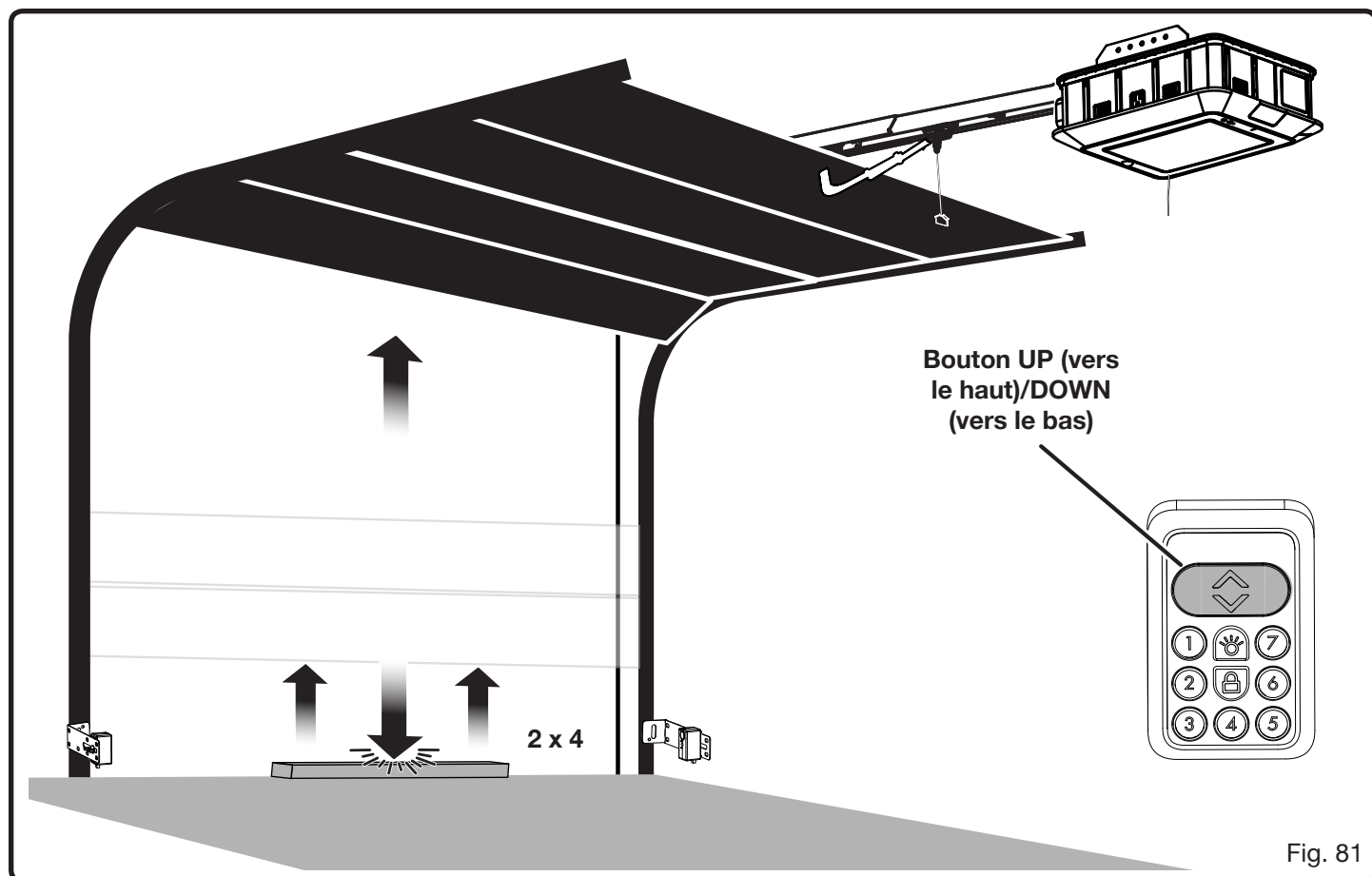
⚠ DANGER :

Faire l'essai du système de réouverture automatique après l'installation, avant la première utilisation, tous les mois et après toutes les mises au point du réglage de limites de trajectoire de la porte de garage. La porte de garage doit s'arrêter et se rouvrir complètement au contact d'un objet d'une épaisseur de 38,1 mm (1 1/2 po) (ou un morceau de bois de 50,8 x 101,6 mm [2 x 4 po] déposé à plat) sur le sol. Si le système de réouverture automatique ne fonctionne pas correctement, la fermeture d'une porte de garage représente un risque de blessures graves ou mortelles pour toute personne se trouvant dans sa trajectoire.

⚠ AVERTISSEMENT :

NE PAS faire fonctionner l'ouvre-porte de garage sans avoir vérifié le bon fonctionnement du système de réouverture automatique. Respecter cette consigne afin de réduire le risque de blessures graves ou mortelles.

- Appuyer et relâcher le bouton **UP** (vers le haut)/**DOWN** (vers le bas) du clavier intérieur pour ouvrir la porte de garage.
 - Placer un morceau de bois de 38,1 mm (1 1/2 po) (environ la dimension d'un morceau de 50,8 x 101,6 mm [2 x 4 po] posé à plat) sur le plancher du garage, sous la porte.
 - Appuyer et relâcher le bouton **UP** (vers le haut)/**DOWN** (vers le bas) du clavier intérieur pour fermer la porte de garage. Dès que la porte touche le morceau de bois, elle devrait se rouvrir immédiatement.
- NOTE :** Après le contact de la porte avec le morceau de bois, une alarme se fera entendre cinq (5) fois et les témoins DEL de l'ouvre-porte de garage clignoteront cinq (5) fois.
- Le système de réouverture automatique fonctionne correctement lorsque la porte de garage se rouvre après avoir touché le morceau de bois et aucun autre réglage n'est requis.
 - Si la porte de garage s'arrête avant d'avoir touché le morceau de bois ou touche le morceau de bois puis s'arrête, augmenter la limite de trajectoire de la position de fermeture et refaire un essai.
 - Si le système de réouverture automatique ne fonctionne toujours pas correctement, communiquer avec le Service à la clientèle ou un réparateur qualifié pour obtenir de l'aide.



UTILISATION

PROGRAMMATION DU CLAVIER EXTÉRIEUR

Voir les figures 82 et 83.

AVERTISSEMENT :

Surveiller le mouvement de la porte lorsque le clavier extérieur est utilisé. Le contact avec une porte en mouvement représente un risque de blessures graves ou MORTELLES.

Dès le début de la programmation du clavier extérieur, toutes les étapes doivent être effectuées en deux (2) minutes. Si toutes les étapes ne sont pas terminées en deux (2) minutes, les renseignements de programmation seront supprimés. Pour obtenir de meilleurs résultats, se tenir sous l'ouvre-porte de garage lors pour réaliser la programmation du clavier.

- Si ce n'est pas déjà fait, installer la pile de 9 V dans le clavier extérieur.
- Appuyez sur le bouton **PROGRAM** (programmation) et maintenez-le enfoncé pendant au moins 10 secondes. Le bouton **PROGRAM** (programmation) clignotera 10 fois afin d'indiquer que tout NIP existant a été supprimé.
- Appuyer et maintenir le bouton **1** enfoncé. Pendant que le bouton **1** est enfoncé, appuyer sur le bouton **ON/PROGRAM** (marche/programmation) puis relâcher le bouton. (le témoin DEL clignotera deux fois puis restera allumé)
- Saisir le NIP désiré (4 chiffres). Les témoins DEL du clavier clignoteront trois (3) fois et restera allumé pendant quelques secondes. Ceci indique que le NIP est enregistré et que le clavier est prêt pour la synchronisation avec l'ouvre-porte de garage.
- Appuyer et maintenir le bouton **PROGRAM** (programmation) de la console de l'ouvre-porte de garage enfoncé jusqu'à ce que les ampoules DEL de l'ouvre-porte s'éteignent et que le témoin derrière le bouton **PROGRAM** (programmation) de la console clignote trois (3) fois. Ceci indique que la console est passée au mode de programmation.

NOTE : Il peut s'écouler quelques secondes avant que les voyants clignotent.

- Appuyer sur le bouton **ON/PROGRAM** (marche/programmation) du clavier extérieur puis saisir le NIP. Le témoin derrière le bouton **PROGRAM** (programmation) de la console de l'ouvre-porte de garage clignotera trois (3) fois et les ampoules DEL de l'ouvre-porte de garage s'allumeront.

NOTE : Il peut s'écouler quelques secondes avant que les voyants clignotent.

- En moins de 30 secondes après que les ampoules LED allumer, appuyer sur le bouton **0** du clavier. Une fois que la porte se déplace, la programmation est terminée.
- Pour faire fonctionner l'ouvre-porte de garage après la première programmation, appuyer sur le bouton **ON/PROGRAM** (marche/programmation) du clavier puis saisir le NIP.

NOTE : Pour modifier le NIP ou réinitialiser un PIN oublié, répéter toutes les étapes énumérées dans cette section y compris la synchronisation du clavier extérieur avec l'ouvre-porte de garage.

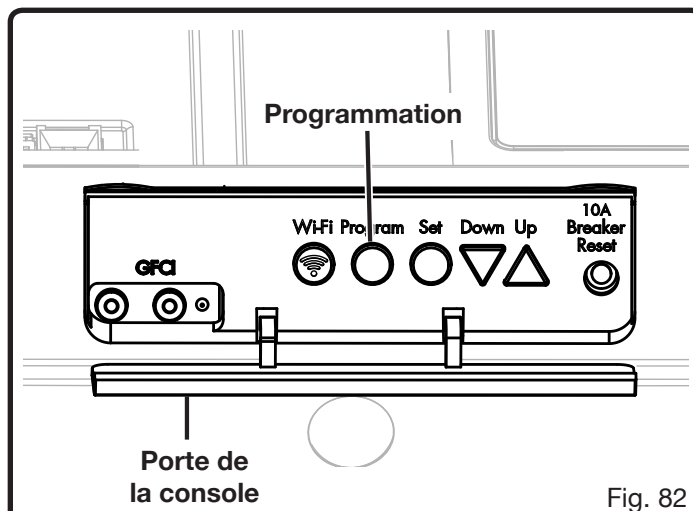


Fig. 82

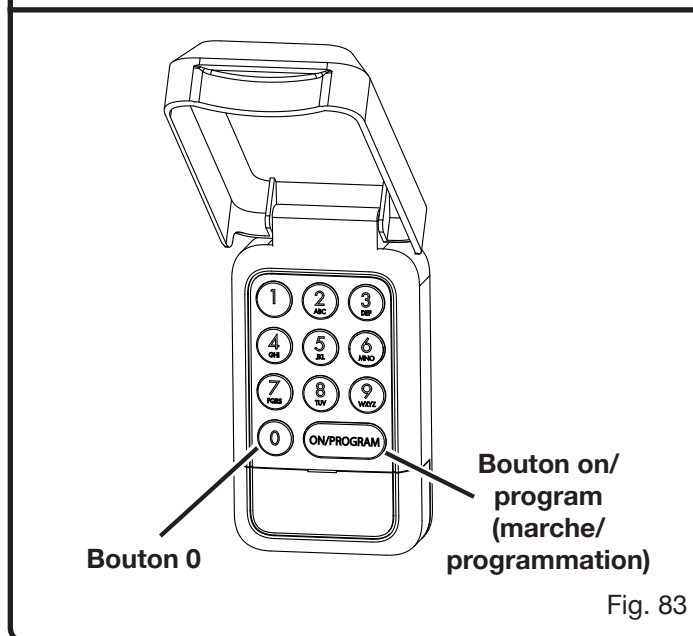


Fig. 83

Pour programmer un NIP temporaire :

Il est possible de saisir un NIP temporaire pour les visiteurs ou les employés d'entretien. Ce NIP restera en vigueur tant que le NIP principal n'est pas saisi à nouveau au clavier.

- Appuyer et maintenir le bouton **3** enfoncé. Pendant que le bouton **3** est enfoncé, appuyer sur le bouton **ON/PROGRAM** (marche/programmation), puis relâcher les deux. Le témoin DEL du clavier clignotera deux fois puis restera allumé.
- Saisir le NIP actuel. Les témoins DEL du clavier clignoteront brièvement deux (2) fois.
- Saisir le NIP temporaire désiré. Les témoins DEL du clavier clignoteront brièvement trois (3) fois et le NIP temporaire est prêt à utiliser.
- Pour faire fonctionner l'ouvre-porte de garage avec le NIP temporaire, appuyer sur le bouton **ON/PROGRAMMATION** (marche/programmation) du clavier puis saisir le NIP temporaire.

NOTE : Se souvenir que le NIP temporaire sera automatiquement supprimé lorsque le NIP principal sera à nouveau saisi au clavier extérieur.

UTILISATION

PROGRAMMATION DES TÉLÉCOMMANDES

Voir la figure 84.

AVERTISSEMENT :

Surveiller le mouvement de la porte lorsque les télécommandes de véhicule sont utilisées. Le contact avec une porte en mouvement représente un risque de blessures graves ou MORTELLES.

Dès le début de la programmation des télécommandes de véhicule, toutes les étapes doivent être effectuées en deux (2) minutes. Si toutes les étapes ne sont pas terminées en deux (2) minutes, les renseignements de programmation seront supprimés.

- Appuyer sur le bouton **PROGRAM** (programmation) de la console de l'ouvre-porte de garage.
- Les ampoules DEL principales de l'ouvre-porte de garage s'éteindront et le bouton **PROGRAM** (programmation) clignotera trois (3) fois.
- Sélectionner le bouton **1** ou **2** de la télécommande du véhicule. Appuyer une fois sur le bouton.
- Le témoin DEL vert de la télécommande du véhicule clignotera.
- Le bouton **PROGRAM** (programmation) de l'appareil principal clignotera trois (3) fois.
- Les ampoules DEL principales de l'ouvre-porte de garage s'allumeront.
- Pour s'assurer que le programme est réglé, appuyer sur le bouton de la télécommande du véhicule sélectionné auparavant.
- La porte de garage s'ouvrira ou se fermera.
- Répéter cette étape pour synchroniser l'ouvre-porte de garage avec une autre télécommande.

NOTE : La programmation des boutons **1** et **2** ne peut être faite sur le même ouvre-porte de garage.

NOTE : Les capteurs de sécurité doivent être raccordés correctement afin de faire fonctionner la porte avec la télécommande.

NOTE : La télécommande de véhicule sera inopérante tant que les limites de trajectoire de l'ouvre-porte de garage ne sont pas réglées.

UTILISATION DE L'APPLICATION DU TÉLÉPHONE INTELLIGENT

Voir la figure 85.

AVERTISSEMENT :

Afin de réduire le risque de blessures, activer uniquement l'application pour système de accessoire pour ouvre-porte de garage de RYOBI pour une installation effectuée sur une porte sectionnelle.

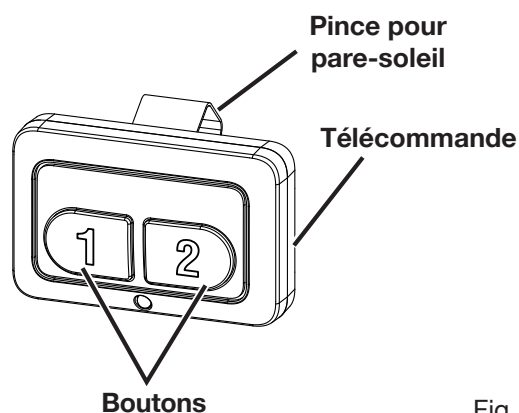


Fig. 84

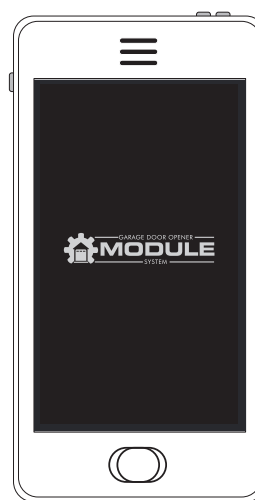


Fig. 85

AVERTISSEMENT :

Les dispositifs ou caractéristiques, comme l'application pour système de accessoire pour ouvre-porte de garage de RYOBI, permettant d'ouvrir ou de fermer une porte de garage sans qu'elle soit à portée de vue ne doivent être utilisés qu'avec les portes de garage sectionnelles.

NOTE : Un routeur Wi-Fi connecté à l'internet est requis afin de pouvoir utiliser l'application du téléphone intelligent. Il sera impossible d'ouvrir la porte de garage ou de recevoir les informations des accessoires installés avec l'application du téléphone intelligent si la connexion Wi-Fi de la maison et l'ouvre-porte de garage ne sont pas effectués ou ne fonctionnent pas normalement.

- Télécharger l'application pour système de accessoire pour ouvre-porte de garage de RYOBI sur **App Store** ou **Google Play Store**.
- Suivre les instructions indiquées par l'application et le guide d'application pour contrôler l'ouvre-porte de garage et les accessoires. Visiter le site www.ryobitools.com pour connaître tous les détails.

ENTRETIEN

INSTRUCTIONS IMPORTANTES CONCERNANT LA SÉCURITÉ

⚠ AVERTISSEMENT : **POUR RÉDUIRE LE RISQUE DE BLESSURES GRAVES OU LA MORT :**

1. LIRE ET SUIVRE TOUTES LES INSTRUCTIONS.
2. Ne jamais laisser les enfants faire fonctionner ou jouer avec les commandes de la porte. Garder la télécommande hors de la portée des enfants.
3. Toujours surveiller une porte en mouvement et tenir les personnes ou objets éloignés tant que la porte n'est pas complètement fermée. **PERSONNE NE DOIT TRAVERSER LA TRAJECTOIRE D'UNE PORTE EN MOUVEMENT.**
4. **NE JAMAIS PASSER SOUS UNE PORTE PARTIELLEMENT OUVERTE.**
5. Faire un essai mensuel de l'ouvre-porte : La porte de garage **DOIT** se rouvrir au contact d'un objet d'une épaisseur de 38,1 mm (1 1/2 po) (ou un morceau de bois de 50,8 x 101,6 mm [2 x 4 po] déposé à plat) sur le sol. Réinitialiser l'ouvre-porte après avoir effectué les réglages de tension ou de limite de trajectoire de la porte. Un réglage mal effectué de l'ouvre-porte représente un risque de blessures graves ou mortelles.
6. Pour les produits exigeant un déverrouillage de secours, utiliser si possible ce déverrouillage de secours seulement si la porte est fermée. Utiliser ce déverrouillage de secours avec prudence. Des ressorts usés ou brisés représentent un risque de chute rapide de la porte et de causer des blessures graves ou mortelles.
7. **L'ÉQUILIBRE DE LA PORTE DE GARAGE DOIT ÊTRE MAINTENU.** Consulter le manuel d'utilisation. Une porte déséquilibrée représente un risque de blessures graves ou mortelles. Appeler un réparateur qualifié pour effectuer les réparations du câblage, des assemblages de ressorts et de la quincaillerie.
8. Cet élément de commande est doté d'une caractéristique de fonctionnement sans surveillance. La porte peut se déplacer de manière imprévisible. **PERSONNE NE DOIT TRAVERSER LA TRAJECTOIRE D'UNE PORTE EN MOUVEMENT.**

9. **CONSERVER CES
INSTRUCTIONS.**

⚠ AVERTISSEMENT :

Avant d'inspecter, nettoyer ou réparer l'appareil, fermer la porte de garage, éteindre le moteur et attendre que toutes les pièces mobiles s'arrêtent, débrancher l'appareil de la source d'alimentation électrique et retirer tous les accessoires. Le non-respect de ces instructions pourrait entraîner des blessures graves ou des dégâts matériels.

⚠ AVERTISSEMENT :

Utiliser exclusivement des pièces recommandées ou équivalentes à celles d'origine pour les réparations. L'utilisation de toutes autres pièces représente un risque de blessure et de dommages aux biens.

⚠ AVERTISSEMENT :

Inspecter périodiquement au complet le produit afin de s'assurer qu'aucune pièce (vis, écrous, boulons, chapeaux, etc.) n'est endommagée, manquante ou desserrée. Serrer solidement toutes les pièces de fixation et les chapeaux et ne pas utiliser le produit tant que toutes les pièces manquantes ou endommagées n'ont pas été remplacées. Pour obtenir de l'aide, veuillez communiquer avec le service à la clientèle. Des pièces lâches, manquantes ou endommagées représentent un risque de blessures graves ou mortelles et de dommages aux biens.

ENTRETIEN GÉNÉRAL

Éviter d'utiliser des solvants pour le nettoyage des pièces en plastique. La plupart des matières plastiques peuvent être endommagées par divers types de solvants du commerce. Utiliser un chiffon propre pour éliminer la saleté, la poussière, l'huile, la graisse, etc.

⚠ AVERTISSEMENT :

Ne jamais laisser de liquides tels que le fluide de freins, l'essence, les produits à base de pétrole, les huiles pénétrantes, etc., entrer en contact avec les pièces en plastique. Les produits chimiques peuvent endommager, affaiblir ou détruire le plastique, ce qui peut entraîner des blessures graves.

REMPACEMENT DU CORDON D'ALIMENTATION

S'il y a lieu, le cordon d'alimentation doit être remplacé par le fabricant agréé afin d'éviter tout risque.

ENTRETIEN

REPLACEMENT DES PILES DE LA TÉLÉCOMMANDE DU VÉHICULE

Voir la figure 86.

⚠ AVERTISSEMENT :

GARDER LE BOUTON OU LES PILES BOUTONS HORS DE PORTÉE DE VUE ET D'ATTEINTE DES ENFANTS. L'ingestion des piles peut causer des blessures graves ou mortelles. Rendez-vous immédiatement à l'hôpital si vous croyez qu'un enfant a avalé une pile. Ne pas provoquer le vomissement ni faire manger ou boire l'enfant. Appeler le numéro sans frais du Centre antipoison pour obtenir plus de renseignements : 1 800 463-5060. Le numéro d'identification de la pile de ce produit est CR2016 ou CR2032.

⚠ AVERTISSEMENT :

Risque de blessures à cause d'un incendie, d'une explosion et d'une fuite. Ne pas démonter, charger, écraser ou exposer au feu ou à des températures élevées.

- Retirer la pince pour pare-soleil.
- Retirer le couvercle du logement de piles en insérant le bord d'une pièce de monnaie dans la fente puis tourner la pièce de monnaie.
- Installer les piles en respectant les indicateurs de polarité.

NOTE : La télécommande peut être alimentée par une pile no 2032 ou deux piles no 2016 empilées.

- Remonter la télécommande en alignant le dessus et le dessous de la télécommande, comme illustré.
- Enclencher le dessus et le dessous de la télécommande pour l'assembler.
- S'assurer que la télécommande est correctement assemblée avant de réinstaller la pince pour pare-soleil.

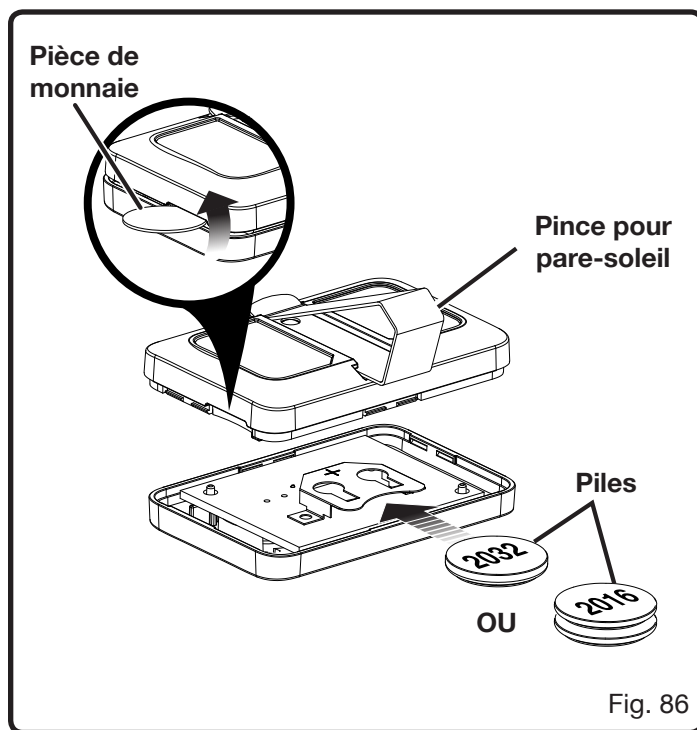


Fig. 86

CALENDRIER D'ENTRETIEN PÉRIODIQUE

Chaque semaine	<ul style="list-style-type: none"> ■ Faire la vérification du moteur, du rail, des pièces de fixation, des bras de la porte, du rail de roulement et des rouleaux et s'assurer qu'ils sont serrés fermement et en bon état. Remplacer ou serrer, selon le cas.
Chaque mois	<ul style="list-style-type: none"> ■ Ouvrir et fermer manuellement la porte de garage. Faire réparer la porte de garage ou les ressorts de porte par un réparateur qualifié si la porte ne se déplace pas librement, se plie ou est déséquilibrée. ■ Faire l'essai du système de réouverture automatique comme décrit à la section <i>Installation</i>.
Chaque 3 mois	<ul style="list-style-type: none"> ■ Faire l'essai des limites de trajectoire de la porte de garage, comme décrit à la section <i>Fonctionnement</i> et s'assurer de l'ouverture et de la fermeture complète de la porte. ■ Vérifier l'état du cordon d'alimentation et du bloc-piles. Remplacer au besoin.
Chaque année	<ul style="list-style-type: none"> ■ Lubrifier les roulettes et les charnières de la porte de garage. L'ouvre-porte de garage est lubrifié avec une quantité suffisante d'huile nécessaire à la durée de vie de l'appareil et ses conditions normales de fonctionnement. Il n'est donc pas nécessaire de lubrifier à nouveau l'appareil. NE PAS HUILER LES RAILS DE ROULEMENT. ■ Débrancher le moteur et faire un essai de la pile de secours. Charger ou remplacer le bloc-piles si l'appareil ne fonctionne pas avec une alimentation CC seulement.

ACCESSOIRES

Les accessoires suivants ne sont pas inclus avec l'ouvre-porte de garage, mais sont offerts à l'endroit où le produit est acheté. Pour obtenir de l'aide, appeler au 1 877 205-5714.

- Trousse de rallonge..... GDAEXT100 (8 pi), GDAEXT110 (10 pi),
GDAEXT112 (12 pi), et GDAEXT114 (14 pi)
- Module détecteur de monoxyde de carboneGDM920
- Bloc-piles au lithium-ion P102, P103, P104, P105, P107, et P108
- Haut-parleur BluetoothGDM120
- Assistance au stationnement à deux lasersGDM222
- Dévidoir pour rallonge.....GDM330
- Contrôle de vitesse de ventilateurGDM421
- Télécommande pour véhicule.....GDA100
- Capteur de sécuritéGDA200
- Clavier extérieurGDA300

AVERTISSEMENT :

Les produits et accessoires disponibles actuellement pour ce produit sont listés ci-dessus. Ne pas utiliser d'outils ou accessoires non recommandés pour ce produit. L'utilisation de pièces et accessoires non recommandés peut entraîner des blessures graves.

DÉPANNAGE

PROBLÈME	CAUSE POSSIBLE	SOLUTION
Tous les boutons de la console clignotent continuellement	Tension CC inférieure à 24 V.	Débrancher l'appareil de la source d'alimentation électrique. Attendre plusieurs minutes avant de brancher à nouveau. Si le problème persiste, communiquer avec le service à la clientèle.
	Tension CC supérieure à 40 V.	Débrancher l'appareil de la source d'alimentation électrique. Attendre plusieurs minutes avant de brancher à nouveau. Si le problème persiste, communiquer avec le service à la clientèle.
Pendant le réglage ou l'essai des limites de trajectoires, une alarme retentira et le bouton UP (ouvrir) de la console clignotera continuellement.	Capteur de sécurité (récepteur) indétectable.	S'assurer que les fils du capteur sont intacts et installés correctement. Réinitialiser les limites de trajectoires.
Pendant le réglage ou l'essai des limites de trajectoires, une alarme retentira et le bouton DOWN (fermer) de la console clignotera continuellement.	Capteur de sécurité (transmetteur) indétectable.	Débrancher l'appareil de la source d'alimentation électrique. S'assurer que les fils du capteur sont intacts et installés correctement. Brancher à une source d'alimentation électrique et réinitialiser les limites de trajectoire.
Pendant l'essai des limites de trajectoire, une alarme retentira et tous les boutons de la console clignoteront sept (7) fois.	Une étape de réglage des limites de trajectoire n'a pas été effectuée dans le délai de deux (2) minutes.	Compléter toutes les étapes de réglage des limites de trajectoires en moins de deux (2) minutes.
Pendant l'essai des limites de trajectoire, une alarme retentira deux (2) fois et tous les boutons de la console clignoteront onze (11) fois.	Les capteurs de sécurité ont été désalignés ou obstrués pendant l'essai.	Retirer l'obstruction ou aligner les capteurs de sécurité comme décrit à la section <i>Installation</i> et <i>Utilisation</i> .

DÉPANNAGE

PROBLÈME	CAUSE POSSIBLE	SOLUTION
Pendant la programmation du clavier extérieur, une alarme retentira et tous les boutons de la console clignoteront sept (7) fois.	Une étape de programmation du clavier extérieur n'a pas été effectuée dans le délai de deux (2) minutes.	Compléter toutes les étapes de programmation du clavier extérieur en moins de deux (2) minutes.
Pendant la programmation d'une télécommande de véhicule, une alarme retentira et tous les boutons de la console clignoteront sept (7) fois.	Une étape de programmation de la télécommande de véhicule n'a pas été effectuée dans le délai de deux (2) minutes.	Compléter toutes les étapes de programmation de la télécommande de véhicule en moins de deux (2) minutes.
Lors de la tentative d'ouverture ou de fermeture, l'ouvre-porte tente d'ouvrir ou de fermer la porte puis s'arrête. Une alarme retentit continuellement et le bouton SET (réglage) de la console clignote continuellement.	L'intensité du courant électrique du moteur a été supérieure à 8 A. Les ressorts de porte (ressort de torsion et/ou de traction) sont endommagés. La porte est trop lourde, brisée ou coincée.	Débrancher l'appareil. Faire réparer ou remplacer les ressorts de porte ou la porte par un technicien qualifié. Débrancher l'appareil. Faire réparer ou remplacer le ressort de porte par un technicien qualifié. Débrancher l'appareil. Faire réparer ou remplacer la porte par un technicien qualifié.
Lorsqu'une télécommande de véhicule, un téléphone intelligent ou un clavier est utilisé, une alarme retentira et les boutons UP (ouvrir) et DOWN (fermer) de la console clignoteront continuellement.	Les limites de trajectoire ont été supprimées ou n'ont pas été établies correctement.	Régler les limites de trajectoire, comme décrit à la section <i>Installation</i> .
La porte de garage commence à se fermer, s'arrête puis se rouvre. L'alarme retentira cinq (5) fois et les témoins DEL de l'ouvre-porte de garage clignoteront cinq (5) fois.	La porte de garage a frappé un objet pendant la fermeture.	Retirer l'objet et reprendre l'opération.
La porte de garage est complètement ouverte et ne se ferme pas avec l'utilisation de la télécommande de véhicule, du téléphone intelligent ou du clavier.	Les capteurs de sécurité ne sont pas alimentés.	S'assurer que les fils du capteur sont intacts et installés correctement. Réinitialiser les limites de trajectoires.
L'ouvre-porte de garage ne s'active pas lorsqu'une touche du clavier intérieur est enfoncée	La charge du bloc-piles est faible ou le raccordement à une source d'alimentation électrique n'a pas été fait. Le raccordement du câble du clavier vers le moteur a été endommagé Le disjoncteur est déclenché	Charger la pile ou raccorder à une source d'alimentation électrique Remplacer les câbles endommagés ou brisés Enclencher le disjoncteur

DÉPANNAGE

PROBLÈME	CAUSE POSSIBLE	SOLUTION
L'ouvre-porte de garage s'active, mais la porte ne bouge pas	<p>Le chariot extérieur n'est pas enclenché dans le chariot intérieur</p> <p>Les bras de la porte ne sont pas fixés au chariot extérieur</p> <p>Les bras de la porte ne sont pas fixés à la porte de garage</p>	<p>Tirer la corde de déverrouillage de secours et soulever la porte jusqu'à ce que le chariot extérieur s'enclenche dans le chariot intérieur</p> <p>Immobiliser les bras de la porte au chariot extérieur en utilisant un petit axe d'articulation ou une goupille d'attelage</p> <p>Immobiliser les bras de la porte à la porte de garage en utilisant un petit axe d'articulation ou une goupille d'attelage.</p>
L'ouverture ou la fermeture de la porte de garage ne fonctionne pas avec l'utilisation de la télécommande de véhicule ou le clavier extérieur.	L'ouvre-porte de garage est en mode d'absence.	Appuyer sur le bouton LOCK (🔒) (verrou) du clavier intérieur ou de l'application du téléphone intelligent pour déverrouiller l'ouvre-porte de garage.
Le moteur d'ouvre-porte de garage est bruyant	<p>Les pièces de fixation sont peut-être lâches</p> <p>Le réglage de limite de trajectoire d'ouverture est erroné (pour portes à panneau simple seulement)</p>	<p>Inspecter tout le produit à la recherche de pièces lâches comme des vis, écrous, boulons, capuchons et autres. Serrer fermement toutes les pièces</p> <p>Régler les limites de trajectoire, comme décrit à la section <i>Installation</i>.</p>
Les accessoires CA ne fonctionnent pas	<p>Alimentation CA débranchée</p> <p>Disjoncteur avec fuite à la terre déclenché</p> <p>Un ou deux accessoires sont installés et la tension combinée est supérieure à 10 A.</p>	<p>Raccorder à une alimentation électrique CA</p> <p>Appuyer sur le bouton de réinitialisation de la console</p> <p>Retirer un ou des accessoires et appuyer sur le bouton de réinitialisation du disjoncteur de 10 A de la console.</p>
Les accessoires CC ne fonctionnent pas	<p>Alimentation CA débranchée</p> <p>L'alimentation de la prise de l'accessoire CC est hors tension.</p>	<p>Raccorder à une alimentation électrique CA</p> <p>Utiliser le clavier intérieur pour activer la prise.</p>
Le clavier extérieur ne fonctionne pas.	<p>Le clavier n'est pas bien programmé</p> <p>Quelque chose obstrue le signal du clavier</p>	<p>Programmer le clavier tel qu'indiqué sous la rubrique <i>Utilisation</i></p> <p>Déplacer le clavier à un autre endroit</p>
La télécommande ne fonctionne pas	<p>Quelque chose obstrue l'antenne RF</p> <p>La télécommande n'est pas bien programmée</p> <p>Quelque chose obstrue le signal de la télécommande</p>	<p>Placer l'antenne sous l'ouvre-porte.</p> <p>Programmer la télécommande tel qu'indiqué sous la rubrique <i>Utilisation</i></p> <p>Déplacer la télécommande à un autre endroit</p>
L'ouvre-porte ne peut pas se connecter au réseau sans fil	<p>Le routeur sans fil n'est pas connecté à Internet</p> <p>L'ouvre-porte n'est pas bien programmé</p> <p>Routeur sans fil utilisant la sécurité WEP</p>	<p>Connecter le routeur sans fil à Internet</p> <p>Programmer l'appareil selon les directives de l'application</p> <p>Changer les paramètres de sécurité de votre réseau pour WPA/WPA2</p>

GARANTIE

ÉNONCÉ DE LA GARANTIE LIMITÉE

One World Technologies, Inc., garantit à l'acheteur original que ce produit la ouvre-porte de garage de marque RYOBI™ est exempt de tout vice de matériau ou de fabrication et s'engage à réparer ou remplacer gratuitement, à son choix, tout produit défectueux ou pièce de rechange sans frais pour les périodes suivantes commençant à la date d'achat.

- Trois ans pour la tête mécanique, boîte d'engrenages, rails, bras de porte, capteurs, télécommandes et claviers.
- À vie pour le moteur et la courroie. À vie, signifie pour aussi longtemps que le premier acheteur est en possession de l'ouvre-porte de garage et que l'emplacement de ce dernier n'a pas été modifié.

Cette garantie n'est offerte qu'à l'acheteur original et entre en vigueur à la date de l'achat original.

Si, pendant les périodes de garantie indiquées ci-dessus, une pièce de ce produit est défectueuse et couverte au titre de la garantie limitée, communiquer avec le service à la clientèle au 1 877 205-5714. Une durée raisonnable doit être octroyée à One World Technologies, Inc. afin que cette dernière détermine l'admissibilité de la réclamation au titre de la garantie avant d'enlever ou de modifier le produit. Si la réclamation est admissible au titre de la garantie, des instructions de démontage et d'expédition du produit ou de la pièce défectueuse vous seront fournies. Toute pièce de ce produit fabriquée ou fournie par One World Technologies, Inc., et estimée défectueuse, selon le jugement raisonnable de One World Technologies, Inc., en ce qui concerne la fabrication ou la main-d'œuvre, sera réparée ou remplacée sans frais pour les pièces. Si le démontage, la réinstallation ou une réparation est effectué par un professionnel, les coûts de main-d'œuvre doivent être payés uniquement par l'acheteur.

Les frais d'expédition du produit au titre de la garantie et les frais de retour au propriétaire après la réparation ou le remplacement seront payés par le propriétaire. One World Technologies, Inc.'s responsibility in respect to claims is limited to making the required repairs or replacements and no claim of breach of warranty shall be cause for cancellation or rescission of the contract of sale of any RYOBI™ brand product. Proof of purchase will be required to substantiate any warranty claim. Toute la main-d'œuvre effectuée au titre de la garantie doit être approuvée par One World Technologies, Inc.

Les instructions d'installation, de fonctionnement, d'entretien et de vérification de l'appareil sont fournies dans le manuel d'utilisation. Toutes instructions non respectées rigoureusement annuleront cette garantie limitée.

Cette garantie ne couvre pas le produit de marque ayant fait l'objet d'un usage abusif ou négligent, d'un manque d'entretien, ayant été impliqués dans un accident ou employés de façon contraire aux instructions du manuel du propriétaire. Cette garantie ne couvre ni les dommages aux produits le produit de marque résultant d'un entretien incorrect, ni le produit de marque altérés ou modifiés de façon à nuire au fonctionnement, aux performances et à la durabilité ou dans le but de l'utiliser pour un usage autre que

celui pour lequel il a été conçu. Cette garantie ne couvre pas les réparations nécessaires causées par l'usure normale, les cas fortuits ou par l'utilisation de pièces ou accessoires incompatibles avec l'ouvre-porte de garage de marque RYOBI™ ou ayant nuit à son fonctionnement, performance ou durée de vie. Cette garantie exclut les appareils installés à des fins non résidentielles ou commerciales, les frais de main-d'œuvre pour l'installation d'appareils réparés ou remplacés, toute réparation ou modification non autorisées, le coût de remplacement des consommables comme le clavier, piles de télécommande, problèmes pouvant se produire par les interférences de fréquences radio électriques, et les articles constituant une pièce de ou reliée à l'ouvre-porte de garage y compris, mais sans y être limité, les charnières de porte, les rouleaux de portes et autre quincaillerie de la porte de garage.

One World Technologies, Inc., se réserve le droit d'apporter des modifications ou améliorations à tout produit la ouvre-porte de garage de marque RYOBI™ sans obligation de modifier les produits fabriqués antérieurement.

LA DURÉE DE TOUTES LES GARANTIES IMPLICITES NE SAURAIT EN AUCUN CAS EXCÉDER LA PÉRIODE DE GARANTIE DÉCLARÉE. PAR CONSÉQUENT, TOUTES LES GARANTIES IMPLICITES, Y COMPRIS LES GARANTIES DE VALEUR MARCHANDE, D'ADÉQUATION À UN USAGE PARTICULIER, OU AUTRES, SERONT INVALIDÉES À L'EXPIRATION DE LA PÉRIODE DE GARANTIE EXPLICITE DE TROIS ANS. LES OBLIGATIONS ONE WORLD TECHNOLOGIES, INC., DANS LE CADRE DE CETTE GARANTIE SE LIMITENT EXCLUSIVEMENT À LA RÉPARATION OU AU REMPLACEMENT DES PIÈCES DÉFECTUEUSES ET ONE WORLD TECHNOLOGIES, INC., N'ASSUME OU N'AUTORISE QUICONQUE À ASSUMER EN LEUR NOM QUELQUE AUTRE OBLIGATION QUE CE SOIT. CERTAINS ÉTATS ET PROVINCES NE PERMETTANT PAS DE LIMITATION DE DURÉE DES GARANTIES IMPLICITES, LES RESTRICTIONS CI-DESSOUS PEUVENT NE PAS ÊTRE APPLICABLES. ONE WORLD TECHNOLOGIES, INC. N'EST AUCUNEMENT RESPONSABLE DES DOMMAGES ACCESSOIRES, CONSÉCUTIFS OU AUTRES DOMMAGES Y COMPRIS, MAIS SANS Y ÊTRE LIMITÉ, LES FRAIS D'EXPÉDITION DU PRODUIT VERS ONE WORLD TECHNOLOGIES, INC., ET LES FRAIS DE RETOUR AU PROPRIÉTAIRE, LA DURÉE DE DÉPLACEMENT DU MÉCANICIEN, LES FRAIS DE TÉLÉPHONE OU TÉLÉGRAMMES, LA LOCATION D'UN PRODUIT SEMBLABLE DURANT LA DURÉE DU SERVICE AU TITRE DE LA GARANTIE, LA PERTE OU LES BRIS DE PROPRIÉTÉ PERSONNELS, LA PERTE DE REVENUS, LA PERTE D'UTILISATION DU PRODUIT, LA PERTE DE TEMPS OU LES INCONVÉNIENTS. CERTAINES PROVINCES INTERDISENT L'EXCLUSION OU LA LIMITATION DE DOMMAGES ACCESSOIRES OU CONSÉCUTIFS ALORS, LES LIMITATIONS OU EXCLUSIONS CI-DESSUS PEUVENT NE PAS S'APPLIQUER À VOTRE CAS.

Cette garantie donne au consommateur des droits spécifiques, et celui-ci peut bénéficier d'autres droits, qui varient selon les états ou provinces.

Cette garantie couvre tous ouvre-porte de garage de pression de marque RYOBI™ distribué par One World Technologies, Inc., et vendus aux États-Unis, Mexique, et au Canada.

CONFORMITÉ AUX NORMES DE LA FEDERAL COMMUNICATIONS COMMISSION (FCC)

Les renseignements de conformité de la FCC ne sont que pour l'ouvre-porte de garage GD200A seulement. Pour les renseignements concernant les autres produits et les accessoires consulter les étiquettes et la documentation incluses avec les articles.

⚠ AVERTISSEMENT :

Toute modification apportée à l'unité qui n'a pas été expressément approuvée par le responsable de la conformité du produit pourrait suffire à révoquer le droit de l'utilisateur à se servir de l'équipement.

Cet appareil est conforme à la Partie 15 des Règles FCC et aux normes RSS d'Industrie Canada en matière d'appareils exempts de licence. L'exploitation est autorisée aux deux conditions suivantes : (1) l'appareil ne doit pas produire de brouillage, et (2) l'utilisateur de l'appareil doit accepter tout brouillage radioélectrique subi, même si le brouillage est susceptible d'en compromettre le fonctionnement.

NOTE : Le cessionnaire n'assume aucune responsabilité pour les modifications qui ne sont pas expressément approuvées par la partie responsable de la conformité. Ces modifications pourraient annuler l'autorité de l'utilisateur à utiliser l'équipement.

NOTE : Après avoir fait subir un essai à l'équipement, il a été déterminé que celui-ci est conforme aux normes relatives à un appareil numérique de classe B, selon la partie 15 des règles de la FCC. Ces normes ont été fixées afin de fournir une protection raisonnable contre une interférence nuisible dans une installation résidentielle. Cet équipement produit et utilise de l'énergie RF. Si l'équipement n'est pas installé et utilisé conformément aux instructions, cela peut causer de l'interférence aux radiocommunications. However, there is no guarantee that interference will not occur in a particular installation. Si cet équipement ne produit aucun brouillage préjudiciable à la réception des signaux de radio ou de télévision, ce qui peut être déterminé en allumant et en éteignant l'appareil, on recommande à l'utilisateur de corriger l'interférence par l'une des mesures suivantes :

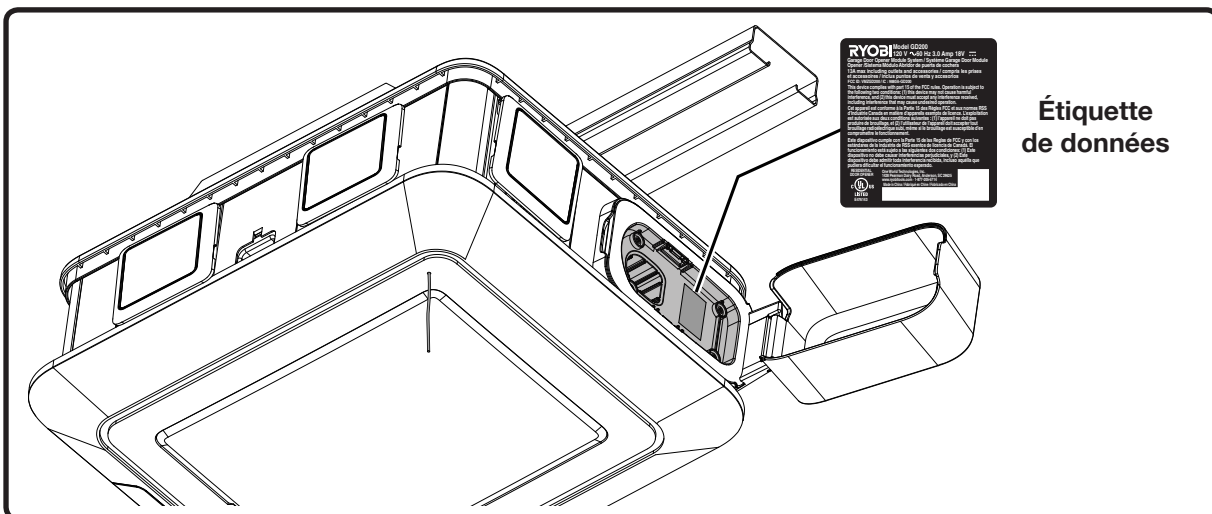
- Réorienter ou déplacer l'antenne de réception.
- Augmenter l'espacement entre l'équipement et le récepteur.
- Brancher l'équipement dans une prise différente de celle du récepteur.
- Consulter le marchand ou un technicien expérimenté en radiotélédiffusion pour obtenir de l'aide.

Cet appareil est conforme aux normes RSS exemptes de licence de l'Innovation, Sciences et Développement économique Canada. L'utilisation est soumise aux deux conditions suivantes : (1) cet appareil ne doit pas produire de brouillage, et (2) l'appareil doit accepter tout brouillage radioélectrique subi, même si le brouillage est susceptible d'en compromettre le fonctionnement. Cet appareil est conforme à la norme RSS-247 de l'Innovation, Sciences et Développement économique Canada. Le fonctionnement est sujet à la condition que l'appareil ne causera pas de brouillage nuisible. Cet appareil numérique de classe B est conforme à la norme canadienne ICES-003. (Cet appareil canadien n'est pas à l'Amérique de la classe B de la norme NMB - conformes 003 du Canada).

Cet équipement est conforme aux limites d'exposition aux rayonnements de la FCC établies pour un environnement non contrôlé. Cet équipement doit être installé et fonctionner à au moins 20 cm de distance d'un radiateur ou de votre corps. Cet émetteur ne doit pas être situé au même endroit ou utilisé parallèlement avec aucune autre antenne ou aucun autre émetteur.

Conformément à la réglementation d'Industrie Canada, le présent émetteur radio peut fonctionner avec une antenne d'un type et d'un gain maximal (ou inférieur) approuvé pour l'émetteur par Industrie Canada. Dans le but de réduire les risques de brouillage radioélectrique à l'intention des autres utilisateurs, il faut choisir le type d'antenne et son gain de sorte que la puissance isotrope rayonnée équivalente (p.i.r.e.) ne dépasse pas l'intensité nécessaire à l'établissement d'une communication satisfaisante.

Pour obtenir d'autres renseignements de la FCC, consulter les données de l'étiquette située à l'intérieur du logement de pile.



REGLAS DE SEGURIDAD ESPECÍFICAS

ADVERTENCIA:

LEA Y ENTIENDA TODAS LAS INSTRUCCIONES ANTES DE USAR ESTE SISTEMA DE APERTURA PARA PORTÓN DE GARAJE para reducir el riesgo de descarga eléctrica, incendios y lesiones corporales serias.

- Para usar con portones de garaje seccionales residenciales o de un solo panel. No apto para uso comercial.
- Solo active la característica de la aplicación del sistema del accesorio de apertura para portón de garaje RYOBI cuando se instale con un portón seccional.
- Familiarícese con el producto. Lea cuidadosamente el manual del operador. Aprenda sus usos y limitaciones, así como los posibles peligros específicos de esta herramienta. Con el cumplimiento de esta regla se reduce el riesgo de una descarga eléctrica, incendio, muerte o lesiones serias.
- Siempre siga todas las reglas de seguridad recomendadas por el fabricante de la sistema de apertura para portón de garaje, además de todas las reglas de seguridad de los aditamentos y accesorios de la sistema de apertura para portón de garaje. Si se cumple esta regla, se reduce el riesgo de lesiones serias.
- Los dispositivos o accesorios, como la aplicación del sistema del accesorio de apertura para portón de garaje RYOBI, que le permiten abrir y cerrar el garaje sin tener una visión del portón solo deben utilizarse con portones de garaje seccionales.
- No utilice ningún aditamento o accesorio no recomendado por el fabricante de esta herramienta.
- Se recomienda realizar una prueba mensual de la funcionalidad del dispositivo para garantizar un rendimiento confiable con el paso del tiempo.
- No utilice el sistema de apertura para portón de garaje si está dañado o roto.
- No utilice el sistema de apertura para portón de garaje si los paneles interiores no encienden y detenga el motor. Un sistema de apertura que no puede controlarse con el panel es peligroso y debe repararse.
- Para evitar el uso accidental, coloque los paneles interiores y los controles remotos en una ubicación que sea inaccesible para los niños y otras personas no calificadas para hacer funcionar la máquina al menos a un metro y medio (cinco pies) por encima del suelo.
- No permita que niños ni personas que no han recibido capacitación usen esta unidad.
- No permita el uso de este producto como un juguete. Debe tenerse extrema precaución cuando se use cerca de niños.
- Manténgase lejos del portón del garaje cuando está en movimiento para evitar lesiones personales graves o la muerte.
- La efectividad de los sensores de seguridad incluidos en este sistema está directamente relacionada con la colocación e instalación de los sensores.
- Tenga mucho cuidado cuando monte la unidad. Mantenga los pies bien asentados y conserve el equilibrio en todo momento.
- Monte el sistema de apertura para portón de garaje solo a vigas. Nunca monte la unidad en panel de yeso o en rejillas falsas en el techo. Si no instala correctamente el sistema de apertura para portón de garaje, puede provocar un riesgo de caída que puede causar lesiones personales graves o la muerte.
- Este producto no está equipado para el cableado permanente. Comuníquese con un electricista con licencia para instalar un receptáculo adecuado si no hay ninguno disponible.
- Conecte el sistema de apertura para portón de garaje directamente en la fuente de alimentación. No conecte un cable de extensión ni un adaptador al cable de alimentación de este producto.
- No desenchufe tirando del cable. Para desenchufar, tire de la clavija, no del cable.
- No manipule el paquete de baterías, el cable del suministro de alimentación, los terminales del cable o los accesorios con las manos mojadas.
- Desconecte el paquete de baterías y desenchufe el sistema de apertura para portón de garaje antes de realizar cualquier ajuste, cambiar accesorios y realizar el mantenimiento. Dichas medidas de seguridad preventivas reducen el riesgo de electrocución o descarga eléctrica.
- Inspeccione el cable del suministro de alimentación y los alambres periódicamente y, si están dañados, hágalos reparar por el fabricante para evitar riesgos. Mantenga el cable de suministro eléctrico y los alambres lejos de puntos de atoramiento y de piezas móviles. Al cumplir esta regla se reduce el riesgo de descargas eléctricas o incendios.
- Revise para ver si hay piezas dañadas. Antes de seguir usando el sistema de apertura para portón de garaje, debe revisar la correa, la polea o cualquier pieza dañada para determinar que funciona correctamente y realiza la función adecuada. Verifique la alineación de las piezas móviles y que estas no estén atascadas, que no haya piezas rotas, y cualquier otra condición que pudiera afectar su funcionamiento. Acuda a un el fabricante para reparar o reemplazar correctamente una correa, polea u otra pieza que esté dañada. Con el cumplimiento de esta regla se reduce el riesgo de una descarga eléctrica, incendio o lesión grave.
- Al reparar el producto, utilice únicamente repuestos idénticos. Siga las instrucciones señaladas en la sección "Mantenimiento" de este manual. El empleo de piezas no autorizadas o el incumplimiento de las instrucciones de mantenimiento puede significar un riesgo de lesiones.
- Nunca intente aflojar, ajustar o extraer los resortes del portón (resorte de torsión y/o resorte de extensión), los componentes de los resortes del portón ni ninguna superficie a la que estén fijos estos elementos. Estos elementos se encuentran bajo extrema tensión y cualquier alteración puede provocar lesiones personales graves, la muerte y/o daños a la propiedad.
- Solo una persona de servicio calificada debe realizar el mantenimiento de los portones de garaje, los resortes de los portones (resortes de torsión y/o extensión) y los componentes de los resortes del portón.
- Para evitar LESIONES PERSONALES o LA MUERTE, NO abra el portón del garaje si hubiera un incendio, a menos que deba escapar del mismo a través del portón. Llame al 911 o al departamento de bomberos. Si abre el portón del garaje, ingresará aire fresco y eso provocará que el incendio se propague rápidamente.

REGLAS ESPECÍFICAS PARA EL FUNCIONAMIENTO A BATERÍA

- Cuando no esté usando el paquete de baterías, manténgala alejado de todo objeto metálico como: clips, monedas, llaves, clavos, tornillos y otros objetos metálicos pequeños que puedan establecer conexión entre ambas terminales. Establecer una conexión directa entre las dos terminales puede causar chispas, quemaduras o incendios.
- Utilice las herramientas de pilas sólo con el paquete de pilas específicamente indicado. El empleo del paquete de pilas diferentes puede presentar un riesgo de incendio.
- No deseche las baterías en el fuego. Las baterías pueden estallar. Verifique los códigos de la localidad para conocer posibles instrucciones especiales para desecharlas.
- No abra ni desarme las baterías. Los electrolitos liberados son corrosivos y pueden causar daños en los ojos o la piel. Puede ser tóxico si se ingiere.
- No coloque herramientas de baterías ni las baterías mismas cerca del fuego o del calor. De esta manera se reduce el riesgo de explosiones y de lesiones.
- Las baterías pueden explotar en presencia de una fuente de ignición, como una luz guía. Para reducir el riesgo de lesiones corporales serias, nunca use un producto inalámbrico en presencia de llamas vivas. La explosión de una batería puede lanzar fragmentos y compuestos químicos. En caso de exposición, enjuáguese con agua de inmediato.
- No aplaste, deje caer o dañe la batería. Nunca utilice una batería o cargador que se ha caído, aplastado, recibido un golpe contundente o ha sido dañado(a) de alguna manera. Las baterías dañadas pueden sufrir explosiones. Deseche de inmediato toda batería que haya sufrido una caída o cualquier daño.
- Tenga cuidado cuando maneje baterías a fin de no realizar un cortocircuito en la batería con materiales conductores como anillos, brazaletes y llaves. La batería o el conductor pueden recalentarse y provocar quemaduras.
- En condiciones extremas de uso o temperatura las baterías pueden emanar líquido. Si el líquido llega a tocarle la piel, lávese de inmediato con agua y jabón. Si le entra líquido en los ojos, láveselos con agua limpia por lo menos 10 minutos, y después busque de inmediato atención médica. Con el cumplimiento de esta regla se reduce el riesgo de lesiones corporales serias.
- Los sistemas de apertura para portón de garaje alimentados a baterías no tienen que estar conectados a un tomacorriente eléctrico, por lo tanto, siempre están en funcionamiento. Tenga cuidado con los posibles riesgos cuando realice ajustes o cambie accesorios. Al cumplir esta regla, se reduce el riesgo de descarga eléctrica, incendio o lesión personal grave.
- Para obtener mejores resultados, la batería del sistema de apertura para portón de garaje debe cargarse en una ubicación donde la temperatura sea superior a 10 °C (50 °F) e inferior a 37 °C (100 °F). No guarde la herramienta a la intemperie ni en el interior de vehículos.
- Guarde estas instrucciones. Consúltelas con frecuencia y empléelas para instruir a otras personas que puedan utilizar este producto. Si presta a alguien este producto, facilítele también las instrucciones.

REGLAS DE SEGURIDAD PARA EL EMPLEO DEL CARGADOR

- Antes de usar el paquete de baterías, lea todas las instrucciones y marcas precautorias que aparecen en este manual, en el paquete de baterías y en el producto que usa la batería para prevenir el uso incorrecto de los productos y posibles lesiones o daños.

ADVERTENCIA:

Cargue sólo una batería recargable de iones de litio. Otros tipos de baterías podrían explotar y causar daños o lesiones corporales. Para obtener paquetes de baterías compatibles, consulte el complemento de correlación de herramientas/artefactos/paquetes de baterías/cargadores 987000-432.

- No exponga el sistema de apertura para portón de garaje a condiciones mojadas o húmedas. La introducción de agua en el producto aumenta el riesgo de descargas eléctricas.
- No maltrate el cable eléctrico o sistema de apertura para portón de garaje. No tire del cordón del sistema de apertura para portón de garaje en lugar de tirar de la clavija al desconectar el aparato de la toma de corriente. El cable o el sistema de apertura para portón de garaje podría dañarse, y esto crearía un peligro de descarga eléctrica. Si el cable o el sistema de

apertura para portón de garaje están dañados, hágalos reparar por el fabricante.

- No permita que combustibles, aceites, productos a base de petróleo, etc., entren en contacto con las piezas plásticas. Contienen químicos que pueden dañar, debilitar o destruir el plástico.
- No utilice el sistema de apertura para portón de garaje si está dañado el cordón o la clavija, ya que podría causar un corto circuito y una descarga eléctrica. Si está dañado, haga reparar el sistema de apertura para portón de garaje por el fabricante.
- No utilice el sistema de apertura para portón de garaje si el mismo ha sufrido una caída, un golpe sólido o un daño de cualquier tipo. Llame a un electricista calificado para que realice una comprobación eléctrica de manera de determinar si el sistema de apertura para portón de garaje está en buenas condiciones de funcionamiento.
- No desarme la sistema de apertura para portón de garaje. Envíelo al fabricante cuando necesite reparación o mantenimiento. Si se rearma la unidad de manera incorrecta, puede presentarse un riesgo de descarga eléctrica o incendio.
- Riesgo de descarga eléctrica. No toque ninguna parte sin aislar del conector de salida, ni ninguna terminal de las baterías en tales condiciones.

REGLAS DE SEGURIDAD PARA EL EMPLEO DEL CARGADOR

INSTRUCCIONES DE SEGURIDAD IMPORTANTES

1. GUARDE ESTAS INSTRUCCIONES - PELIGRO: PARA REDUCIR EL RIESGO DE INCENDIOS O DESCARGA ELÉCTRICA, SIGA CUIDADOSAMENTE ESTAS INSTRUCCIONES.

Este manual contiene instrucciones importantes respecto a la seguridad y funcionamiento de los sistema de apertura para portón de garaje GD200A.

2. **Antes de emplear el sistema de apertura para portón de garaje** lea todas las instrucciones y las indicaciones precautorias del sistema de apertura para portón de garaje, de las baterías y del producto con el que se utilizan las baterías.

3. **⚠ PRECAUCIÓN:** Para reducir el riesgo de lesiones, sólo cargue baterías recargables de iones de litio. Otros tipos de baterías pueden estallar y causar lesiones corporales así como daños materiales.

INFORMACIÓN DE COMUNICACIÓN POR WI-FI

- Puede hacer funcionar el sistema de apertura para portón de garaje en forma remota desde la aplicación para teléfono inteligente.
- La distancia de comunicación (rango) entre el sistema de apertura para portón de garaje y el router Wi-Fi debe ser de 30 metros (100 pies) dentro del hogar. Es posible que algunos factores propios y externos al hogar reduzcan este rango, como la cantidad de pisos, la cantidad/el tamaño de las habitaciones, los muebles y los tipos de materiales de construcción que se utilizaron. Entre los ejemplos se pueden mencionar los techos suspendidos, las cañerías, los grandes aparatos metálicos (refrigeradores) y las vigas metálicas. La interferencia provocada por estos factores domésticos puede superarse agregando impulsores de señal de Wi-Fi para extender el rango de la señal inalámbrica del router de su hogar.
- Desde los años 90, se han usado algoritmos para encriptar y proteger las señales inalámbricas. Los algoritmos de uso más común son WEP y WPA/WPA2.
 - WEP (Privacidad Equivalente a Alámbrico) es el algoritmo más viejo y de más uso. No obstante su popularidad, este algoritmo es el más susceptible al hackeo o ataque informático. Las contraseñas de la red que se usan para proteger a las redes WEP deben contener exactamente 10 o 26 caracteres y se deben formar únicamente de caracteres hexadecimales (a-f y 0-9). Según los estándares actuales, las contraseñas con estas limitaciones no son lo suficientemente complejas como para brindar la seguridad adecuada. En 2005, el Buró Federal de Investigación demostró las vulnerabilidades del WEP al descifrar contraseñas WEP fácilmente a través de un software disponible al público.

NOTA:

1. El rango y el correcto funcionamiento de cualquier dispositivo inalámbrico puede variar según algunos factores internos y asociados con el hogar.
2. Es posible que el sistema de apertura para portón de garaje no transmita entre edificios. Si tiene un garaje desacoplado, es posible que el sistema de apertura para portón de garaje no se comunique correctamente con el router Wi-Fi.
3. Los objetos metálicos (por ejemplo, las vigas de pared) y el papel tapiz metálico pueden interferir con la señal del sistema de apertura para portón de garaje. Deberá probar el sistema de apertura para portón de garaje después de realizar cambios en su hogar o garaje, como las remodelaciones, los movimientos de muebles y la instalación de nuevos aparatos o dispositivos que se comuniquen con el router Wi-Fi.

Debido a preocupaciones serias de seguridad, el abridor de puerta de su cochera no se conectará a enrutadores que utilicen una red de seguridad WEP. Refiérase al manual del operador de su enrutador para cambiar el tipo de seguridad a WPA/WPA2.




- WPA/WPA2 (Acceso a Wi-Fi Protegido) fue creado como una alternativa más segura al WEP. La tecnología criptográfica en este algoritmo es de mayor superioridad que la de su predecesor. Las contraseñas WPA/WPA2 pueden contener hasta 63 caracteres e incluir tanto caracteres hexadecimales como caracteres imprimibles ASCII (a-z, 0-9, signos de puntuación, y ciertos símbolos). Si bien ofrecen mayor protección, las redes WPA/WPA2 aún pueden ser vulnerables si se utilizan contraseñas débiles. Siempre utilice contraseñas que contengan mayúsculas y minúsculas, signos de puntuación, números, y símbolos (si se permiten) para reducir el riesgo de que la contraseña sea descifrada o adivinada por partes no autorizadas.

AVISO:








Es importante que la señal inalámbrica de su enrutador esté asegurada. Una señal que no esté asegurada podría permitir el acceso no autorizado a dispositivos que se estén comunicando dentro de la red de su hogar, incluso el abridor de puerta de su cochera.

SÍMBOLOS

Las siguientes palabras de señalización y sus significados tienen el objeto de explicar los niveles de riesgo relacionados con este producto.

SÍMBOLO	SEÑAL	SIGNIFICADO
	PELIGRO:	Indica una situación peligrosa inminente, la cual, si no se evita, causará la muerte o lesiones serias.
	ADVERTENCIA:	Indica una situación peligrosa posible, la cual, si no se evita, podría causar la muerte o lesiones serias.
	PRECAUCIÓN:	Indica una situación peligrosa posible, la cual, si no se evita, podría causar lesiones menores o leves.
	AVISO:	(Sin el símbolo de alerta de seguridad) Indica información importante no relacionada con ningún peligro de lesiones, como una situación que puede ocasionar daños físicos.

Es posible que se empleen en este producto algunos de los siguientes símbolos. Le suplicamos estudiarlos y aprender su significado. Una correcta interpretación de estos símbolos le permitirá utilizar mejor y de manera más segura el producto.

SÍMBOLO	NOMBRE	DENOMINACIÓN/EXPLICACIÓN
	Alerta de seguridad	Indica un peligro posible de lesiones personales.
	Lea el manual del operador	Para reducir el riesgo de lesiones, el usuario debe leer y comprender el manual del operador antes de usar este producto.
	Protección para los ojos y oídos	Siempre póngase protección ocular con protección lateral con la marca de cumplimiento de la norma ANSI Z87.1 cuando arme y realice el mantenimiento de este producto.
	Electrocución/ Descarga eléctrica	Desenchufe la unidad antes de conectar los cables para reducir el riesgo de electrocución o descarga eléctrica.
	Portón en movimiento	Para evitar lesiones personales graves o la muerte, manténgase alejado del portón del garaje cuando está en movimiento y nunca intente correr o caminar debajo de un portón de garaje en movimiento.
	Símbolos de reciclado	Este producto contiene baterías de iones de litio (Li-ion). Es posible que algunas leyes municipales, estatales o federales prohíban desechar las baterías de níquel-cadmio en la basura normal. Consulte a las autoridades reguladoras de desechos para obtener información en relación con las alternativas de reciclado y desecho disponibles.
	Para conectarse a la aplicación, se requiere un enrutador Wi-Fi conectado al Internet de su hogar.	Si la conexión Wi-Fi de su hogar y su abridor de cochera no están conectados o no están funcionando adecuadamente, no podrá abrir la puerta de su cochera o recibir otra información de los accesorios a través de la Aplicación del Sistema de Accesorio del Abridor de Cochera Ryobi (Ryobi Garage Door Opener Accessory System App).

SÍMBOLOS

Es posible que se empleen en este producto algunos de los siguientes símbolos. Le suplicamos estudiarlos y aprender su significado. Una correcta interpretación de estos símbolos le permitirá utilizar mejor y de manera más segura el producto.

SÍMBOLO	NOMBRE	DENOMINACIÓN/EXPLICACIÓN
==	Corriente continua	Tipo o característica de corriente
~	Corriente alterna	Tipo de corriente
n_0	Velocidad en vacío	Velocidad de rotación, en vacío
.../min	Por minuto	Revoluciones, carreras, velocidad superficial, órbitas, etc., por minuto
V	Volts	Voltaje
Hz	Hertz	Frecuencia (ciclos por segundo)
A	Amperes	Corriente
W	Watt	Corriente

CALIFORNIA - PROPUESTA DE LEY NÚM. 65

ADVERTENCIA:

Este producto puede contener sustancias químicas (incluido el plomo) reconocidas por el estado de California como causantes de cáncer, defectos congénitos y otras afecciones del aparato reproductor. **Lávese las manos después de utilizar el aparato.**

ASPECTOS ELÉCTRICOS

CONEXIÓN ELÉCTRICA

Esta herramienta está impulsada por un motor eléctrico fabricado con precisión. Debe conectarse únicamente a **una línea de voltaje de 120 V, de corriente alterna (corriente normal para uso doméstico), 60 Hz**. Una caída de voltaje significativa provocará una pérdida de alimentación y se sobrecalentará el motor, excepto cuando está instalado el paquete de baterías. Si el producto no funciona al conectarla en una toma de corriente, vuelva a verificar el suministro de voltaje.

INSTRUCCIONES DE CONEXIÓN A TIERRA

Vea la figura 1.

Este producto debe conectarse a tierra. En caso de desperfecto o falla, la conexión a tierra ofrece una trayectoria de menor resistencia para la corriente eléctrica a fin de reducir el riesgo de descarga eléctrica. Este producto está equipado con un cordón eléctrico que tiene un conductor de conexión a tierra del equipo y una clavija de conexión a tierra. La clavija debe conectarse en una toma de corriente igual que esté instalada y conectada a tierra correctamente, de conformidad con los códigos y reglamentos de la localidad.

No modifique la clavija suministrada. Si no entra en la toma de corriente, llame a un electricista calificado para que instale una toma de corriente adecuada.

⚠ ADVERTENCIA:

Si se conecta de forma incorrecta el conductor de conexión a tierra del equipo puede presentarse un riesgo de descarga eléctrica. Cuando se requiere la reparación o el reemplazo del cordón, no conecte el alambre de conexión a tierra a ninguna terminal tipo hoja plana. El alambre con aislamiento que tiene una superficie exterior verde con o sin tiras amarillas es el alambre de conexión a tierra.

Consulte a un electricista calificado o técnico de servicio si no ha comprendido completamente las instrucciones de conexión a tierra o si no está seguro si la herramienta está bien conectada a tierra.

Repáre o reemplace de inmediato todo cordón dañado o gastado.

Este producto se debe usar con un circuito de 120V nominales y tiene una clavija de conexión a tierra similar a la clavija que se muestra en la figura 1. Conecte el producto únicamente a una toma de corriente que tenga la misma configuración que la clavija. No use un adaptador con este producto.

INTERRUPTOR DE CIRCUITO ACCIONADO POR FALLA DE CONEXIÓN A TIERRA

Vea la figura 2.

Los receptáculos de 10 amperios y 120 voltios del sistema de apertura para portón de garaje están protegidos por un

Interruptor de circuito con descarga a tierra (GFCI), que protege contra los peligros de las fallas de corriente a tierra. Un ejemplo de una corriente debida a una falla de conexión a tierra es la que fluiría a través de una persona que está utilizando un aparato con aislamiento defectuoso, y al mismo tiempo está en contacto con una tierra eléctrica como una parte de la plomería, suelo húmedo o tierra.

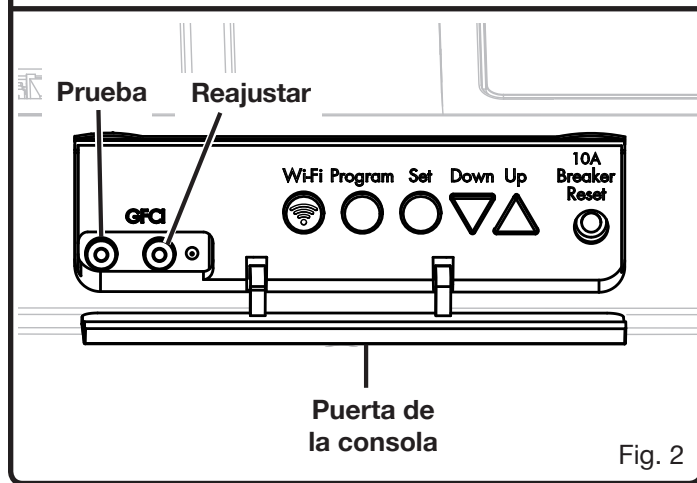
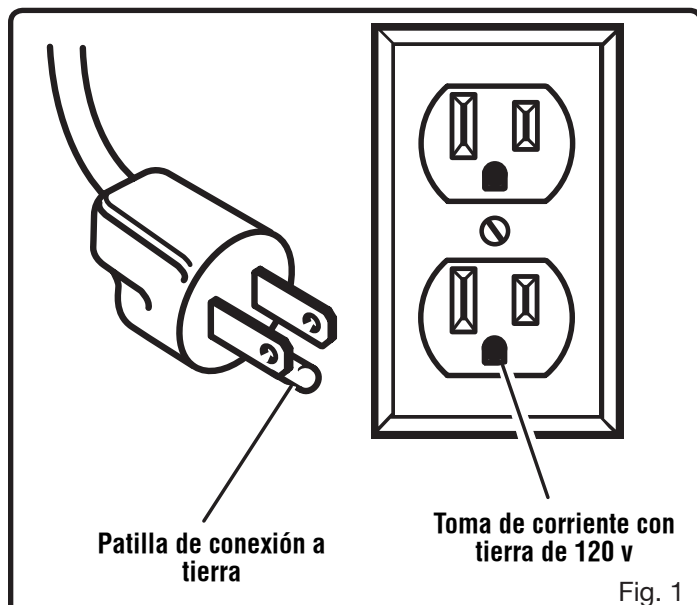
Los receptáculos protegidos con GFCIs no protegen contra cortos circuitos, sobrecargas ni descargas eléctricas.

Los receptáculos con GFCIs pueden probarse con los botones TEST [PRUEBA] y RESET [REAJUSTE].

Para efectuar una prueba:

- Abra la puerta de la consola.
- Oprima el botón TEST. Esto debe hacer salir el botón Reset (Reajustar).
- Para restablecer la corriente, oprima el botón RESET.

Realice mensualmente esta prueba para asegurarse del buen funcionamiento del GFCI.



CARACTERÍSTICAS

ESPECIFICACIONES DEL PRODUCTO

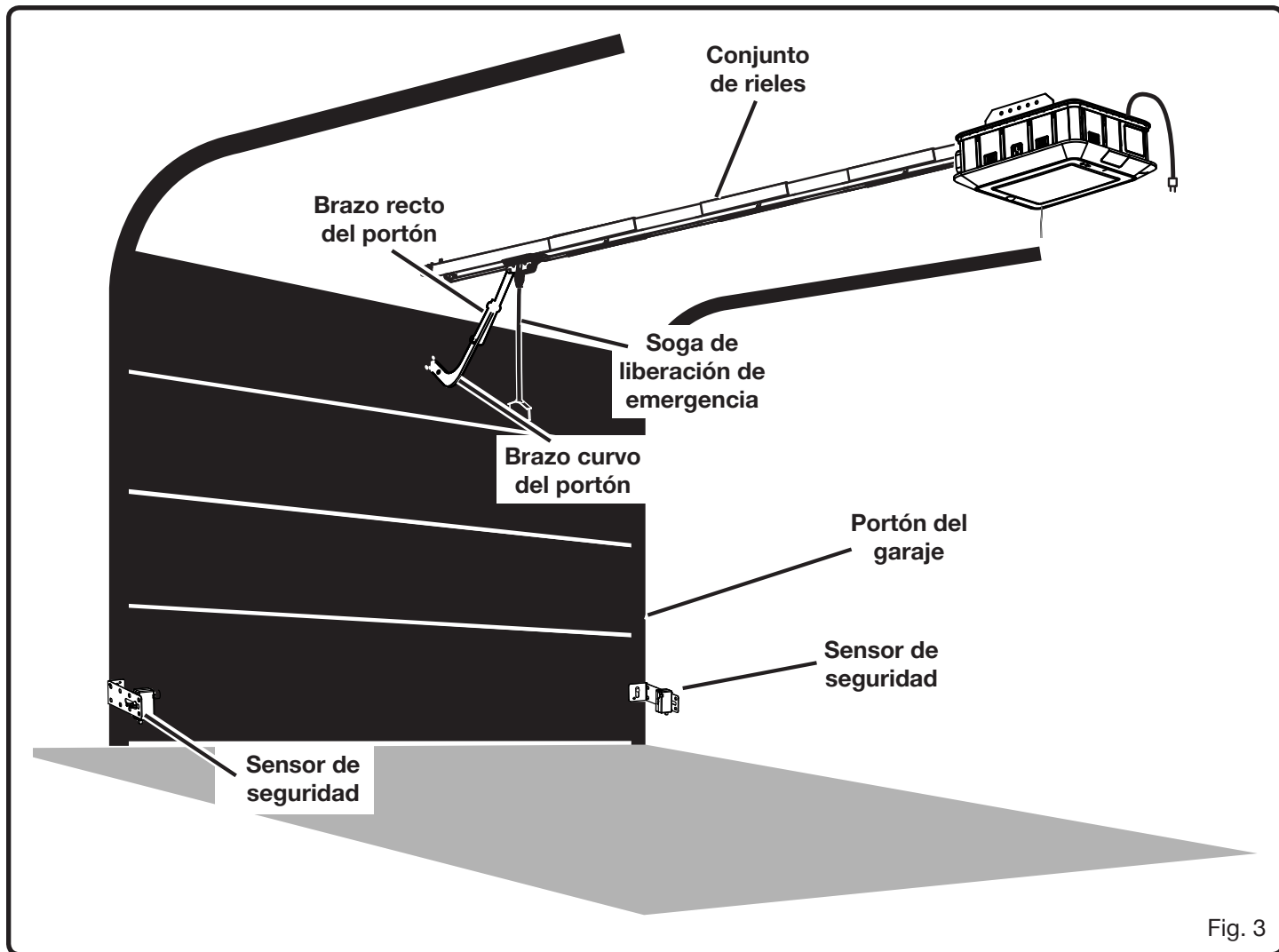
Capacidad del accesoriohasta 7
Altura máxima del portón del garaje2,13 m (7 pies)*
Tipo de focodiodo luminiscente
Tipo de transmisión Transmisión de la correa
Corriente de entrada 120 V CA, 60 Hz. o 18V CC
Motor 2 HPs**
Velocidad en vacío (Máx.) 215,9 mm (8,5 pulg.) por segundo
Longitud del riel.....3,0 m (10 pies.)

Rango de detección remota.....9,1 m (300 pies)
Rango de detección del sensor en movimiento....5,5 m (18 pies)
Vehículo y hogar.....Compatible con HomeLink®***

* Hay kits de extensión disponibles.

** El similar de potencia (HPs) determina que este sistema cumple con las especificaciones de fuerza de arranque de RYOBI™ para un sistema de apertura para portón de garaje de 2,0 caballos de fuerza

*** HomeLink® y el icono de la casa de HomeLink® son marcas comerciales registradas de Gentex Corporation.



CARACTERÍSTICAS

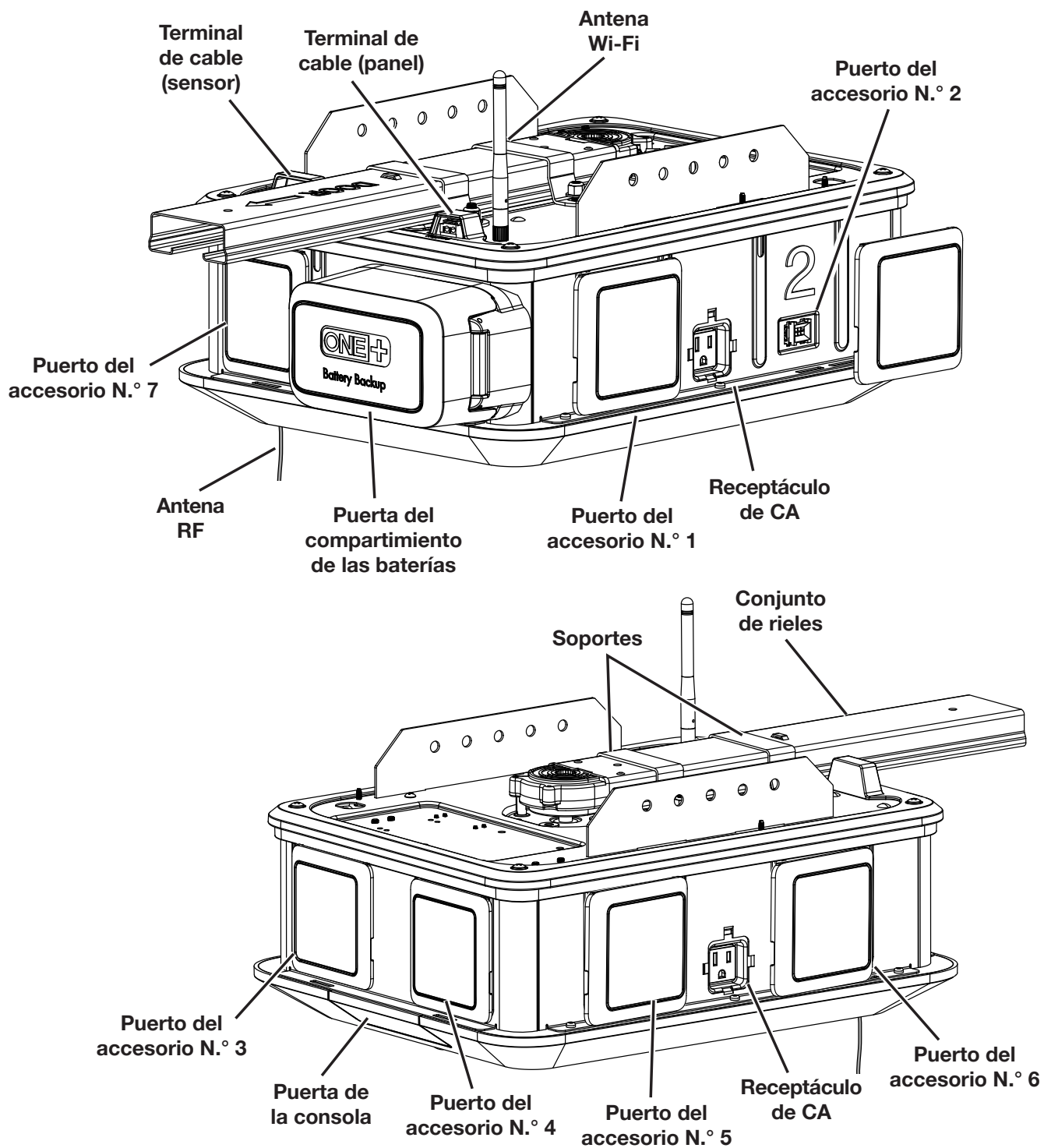


Fig. 4

CARACTERÍSTICAS

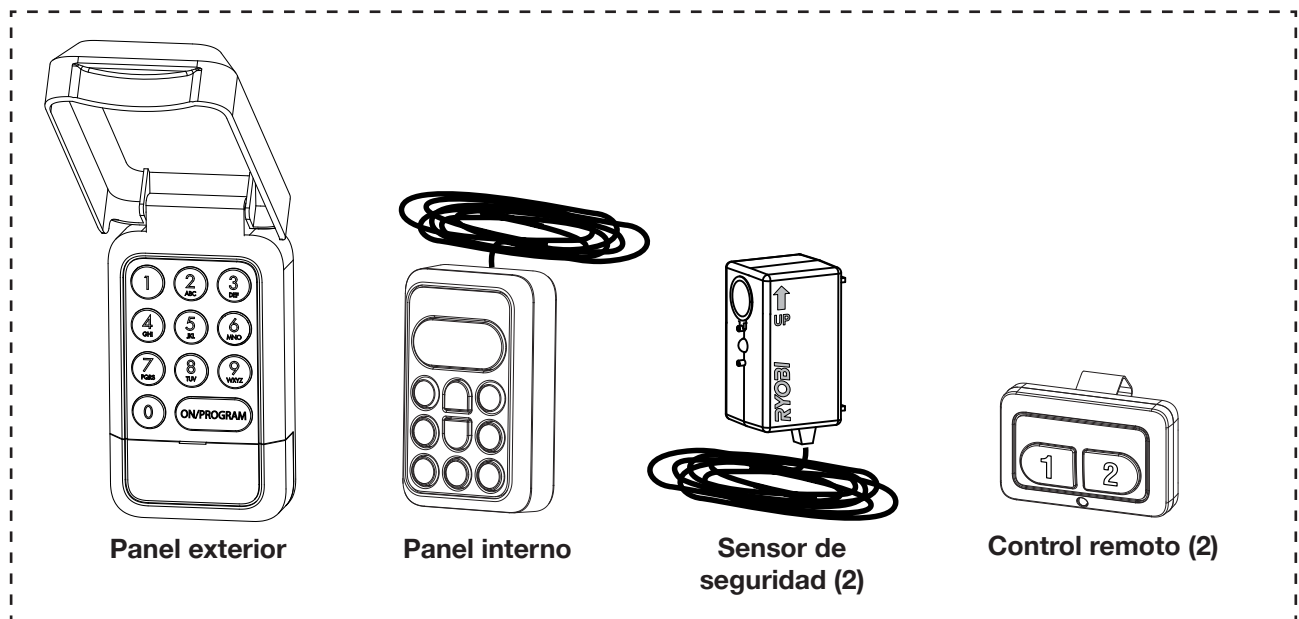
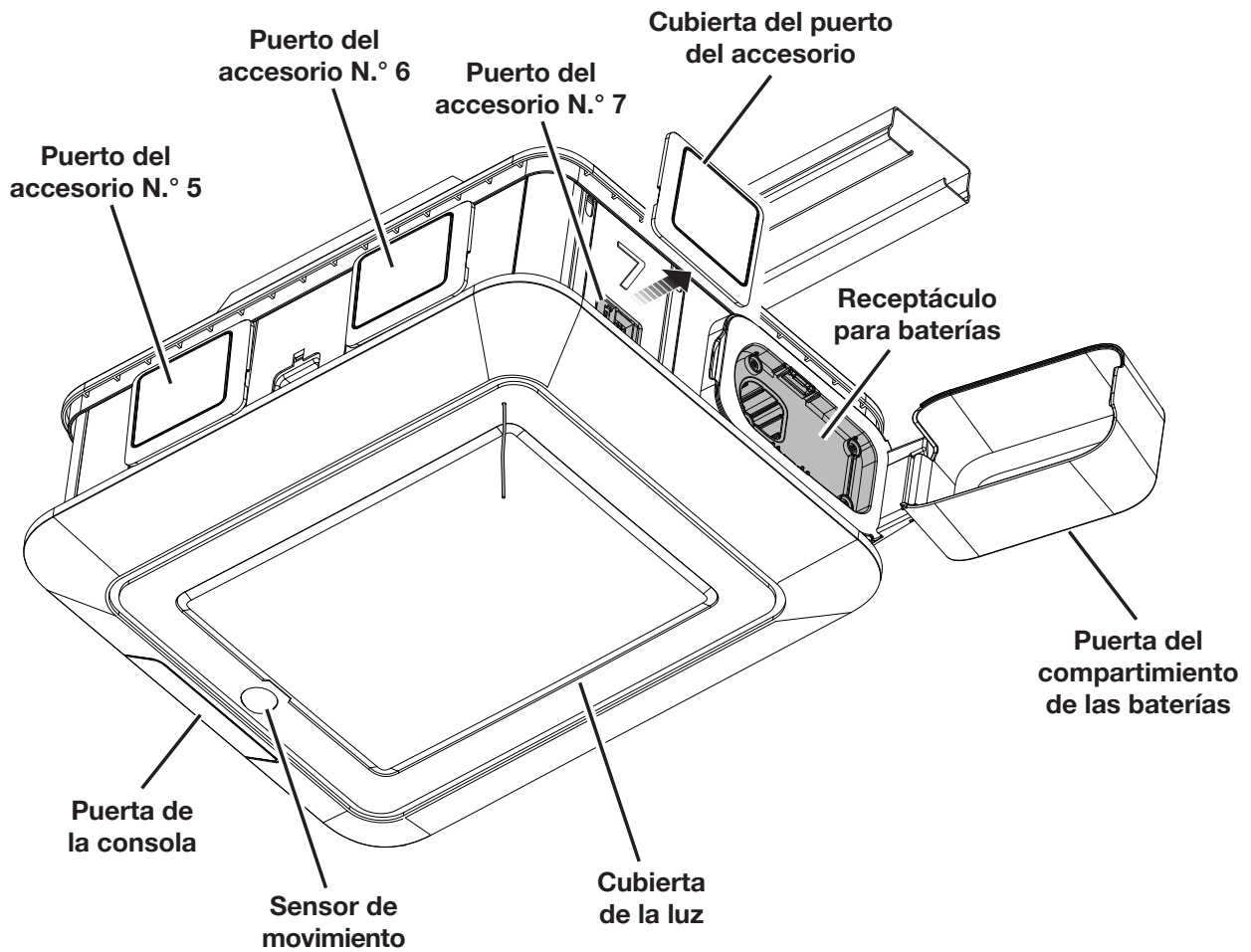


Fig. 5

CARACTERÍSTICAS

FAMILIARÍCESE CON LA SISTEMA DE APERTURA PARA PORTÓN DE GARAJE

Veá las figuras 3 a 5.

Para usar este producto con la debida seguridad se debe comprender la información indicada en la herramienta misma y en este manual, y se debe comprender también el trabajo que intenta realizar. Antes de usar este producto, familiarícese con todas las características de funcionamiento y normas de seguridad del mismo.

RECEPTÁCULO DE CA

El sistema de apertura para portón de garaje tiene dos receptáculos protegidos por GFCI de 120 voltios CA con una calificación combinada de 10 amperios. Pueden utilizarse para hacer funcionar los accesorios del portón del garaje CA y para los dispositivos, la iluminación eléctrica y las herramientas correspondientes.

ANTENAS

Las Antenas Wi-Fi y RF facilitan la comunicación entre el abridor de puerta de cochera y la aplicación de smartphome, control remoto de coche, y panel exterior.

SISTEMA DE REVERSIÓN AUTOMÁTICA

Cuando un portón de garaje que se está cerrando entra en contacto con un objeto que está a 38,1 mm (1-1/2 pulg.) por encima del piso del garaje, el sistema de reversión automática detiene y eleva el portón a la posición completamente abierta.

RESPALDO DE BATERÍA

Cuando no está conectado a una fuente de alimentación CA, el sistema de apertura para portón de garaje y las luces LED pueden funcionar con baterías de iones de litio RYOBI de 18 voltios ONE+™.

CONTROLES REMOTO

Los cómodos controles remotos le permiten activar el sistema de apertura para portón de garaje desde una distancia de hasta 91 metros (300 pies). Los controles remotos están equipados con un clip para visera, de manera de poder guardarlos en la visera de su automóvil.

CARGADOR DE BATERÍAS

El cargador de baterías integrado acepta baterías de iones de litio de RYOBI ONE+™ de 18 V.

SISTEMA DE TRANSMISIÓN DE LA CORREA

Este producto está equipado con un sistema de transmisión de correa que es más silencioso que los modelos de transmisión de cadena tradicionales.

DISYUNTOR DE CIRCUITOS

Se proporciona un disyuntor para proteger a los accesorios CA contra las sobrecargas eléctricas. El disyuntor de circuito puede restaurarse con el botón de reajuste del disyuntor.

SOGA DE LIBERACIÓN DE EMERGENCIA

En el caso de una emergencia o de un atascamiento, debe tirar de la sogá de liberación de emergencia para poder elevar manualmente el portón del garaje cerrado.

COMPATIBILIDAD CON HOMELINK®

Las funciones del sistema de apertura para portón de garaje pueden controlarse mediante automóviles y casas equipados con sistemas de control HomeLink®.

HomeLink® y el icono de la casa de HomeLink® son marcas comerciales registradas de Gentex Corporation.

PANEL INTERNO

El panel interior está instalado en la parte interior del garaje y se puede utilizar para abrir y cerrar el portón del garaje, activar los puertos del accesorio, encender y apagar las luces LED y bloquear el sistema para que no pueda utilizarse con controles remotos ni aplicaciones de teléfonos inteligentes.

LUCES DEL DIODO LUMINISCENTE

Las luces LED están ubicadas debajo de la cubierta de la luz y se iluminan cada vez que el motor está funcionando, cuando se presiona el botón **LIGHT** (☀) (Luz) del panel interior o cuando se detecta movimiento. Para apagar las luces LED, presione el botón botón **LIGHT** (☀) (Luz).

NOTA: De manera predeterminada, las luces LED se iluminarán durante tres minutos una vez que se presione el botón **LIGHT** (☀) (Luz). El tiempo puede ajustarse en incrementos de un minuto, entre tres y diez minutos, con la aplicación del sistema del accesorio de apertura para portón de garaje RYOBI.

ACCESORIOS DEL MÓDULO

El sistema del portón de garaje posee siete puertos para hacer funcionar los accesorios del portón de garaje CC.

DETECCIÓN DE MOVIMIENTO

La detección de movimiento infrarroja pasiva enciende las luces LED cuando se detecta movimiento en el garaje.

NOTA: El sensor de movimiento queda desactivado durante diez segundos cada vez que se presiona el botón **LIGHT** (☀) (Luz).

CONJUNTO DE RIELES

El diseño ergonómico del riel permite que el armado y la instalación sean rápidos y sencillos.

COMPATIBILIDAD CON TELÉFONOS INTELIGENTES

El sistema de apertura para portón de garaje puede hacerse funcionar de manera remota con un teléfono inteligente mediante la aplicación del sistema del accesorio de apertura para portón de garaje RYOBI. Para obtener más información, visite ryobitools.com o descargue la aplicación desde la **App Store** o **Google Play Store**.

SENSOR DE SEGURIDAD

El sistema de apertura para portón de garaje viene con dos sensores que emiten un haz de luz invisible hacia la apertura del garaje. Si un objeto atraviesa el trayecto del haz cuando el portón del garaje se está cerrando, el portón se detendrá automáticamente y se revertirá hasta la posición completamente abierta.

MODO DE VACACIONES

Para entrar y salir del modo de vacaciones, presione el botón **LOCK** (🔒) (bloquear) en el panel interior. Cuando está en modo de vacaciones, el sistema de apertura para portón de garaje solo puede controlarse desde el panel interior y la aplicación para teléfono inteligente.

PANEL EXTERIOR INALÁMBRICO

El panel exterior inalámbrico se puede utilizar para abrir y cerrar el portón del garaje. Para mayor seguridad, el panel exterior le permite configurar un código de identificación personal de cuatro dígitos personalizado.

LOOSE PARTS

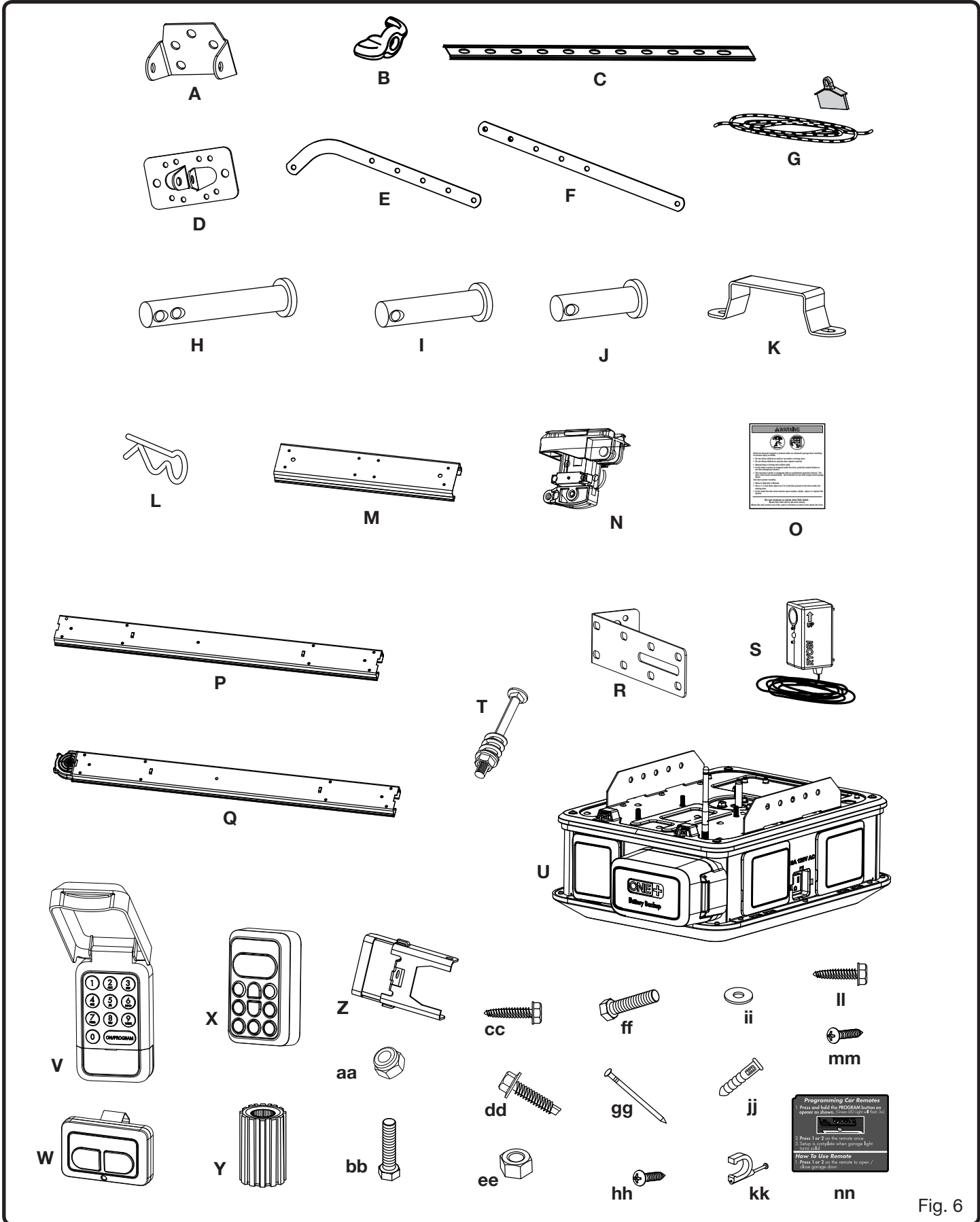


Fig. 6

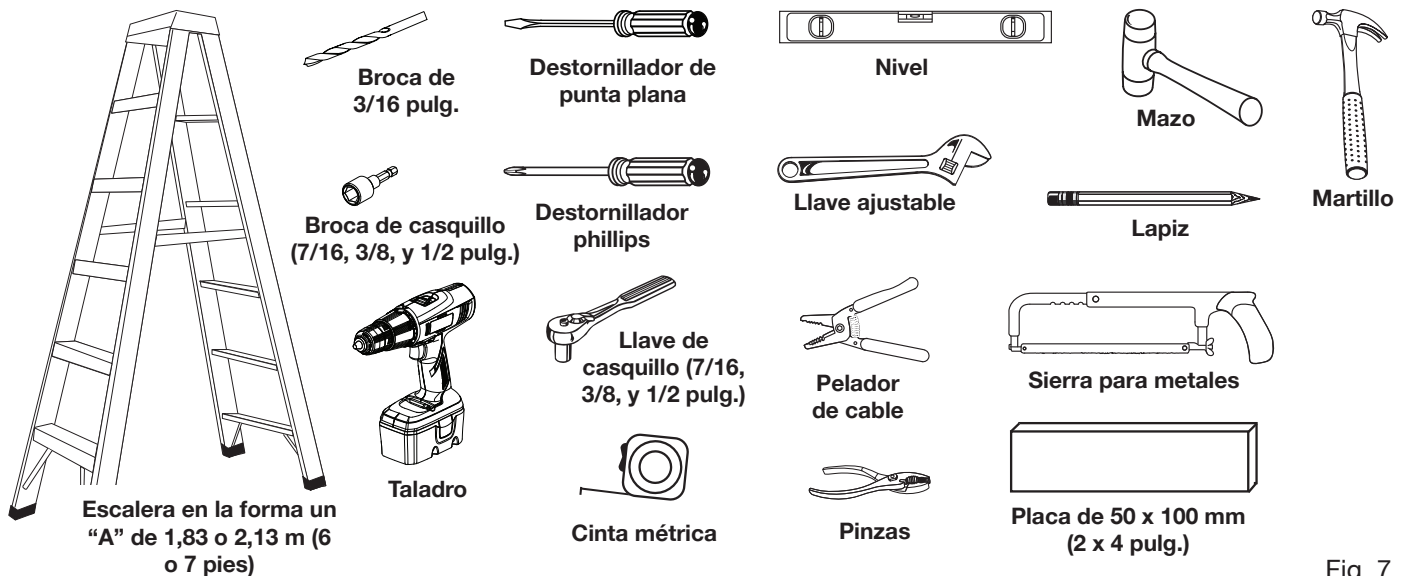
PIEZAS SUELTAS

Con la sistema de apertura para portón de garaje vienen incluidos los siguientes artículos:

A.	Soporte del cabezal.....	1
B.	Tuerca de mariposa.....	2
C.	Cinta de montaje.....	2
D.	Soporte del portón.....	1
E.	Brazo curvo del portón.....	1
F.	Brazo recto del portón.....	1
G.	Soga de liberación de emergencia.....	1
H.	Pasador sujetable grande.....	1
I.	Pasador sujetable mediano.....	1
J.	Pasador sujetable pequeña.....	1
K.	Soporte.....	2
L.	Pasador del enganche.....	3
M.	Casquillo.....	3
N.	Trole exterior.....	1
O.	Etiqueta de advertencia de atascamientos (Inglés, Francés, y Español).....	3
P.	Riel soporte.....	3
Q.	Riel trasero.....	1
R.	Soporte de sensor.....	1
S.	Sensor de seguridad.....	2
T.	Conjunto de varilla de la polea.....	1
U.	Cabezal de alimentación.....	1
V.	Panel exterior.....	1
W.	Control remoto.....	2
X.	Panel interno.....	1
Y.	Rueda dentada.....	1
Z.	Riostra delantera.....	1
aa.	Tuerca (7/16 pulg.).....	10
bb.	Perno (7/16 pulg. x 3/4 pulg.).....	6
cc.	Tirafondos (7/16 pulg. x 1-1/2 pulg.).....	4
dd.	Tornillo autorroscante.....	2
ee.	Tuerca de seguridad (1/2 pulg.).....	2
ff.	Perno (1/2 pulg. x 1 pulg.).....	2
gg.	Clavo (2 pulg.).....	2
hh.	Tornillo (1 pulg., cabeza phillips).....	2
ii.	Arandela (7/16 pulg.).....	6
jj.	Anclaje de panel de yeso.....	2
kk.	Grapas aisladas.....	30
ll.	Tirafondos (1/2 pulg. x 1-1/2 pulg.).....	2
mm.	Tornillo (1-1/2 pulg., cabeza phillips).....	2
nn.	Etiqueta de instrucciones.....	3

HERRAMIENTAS NECESARIAS

Para armar la unidad y efectuar ajustes se necesitan las siguientes herramientas (no incluido o dibujado para escalar):



ARMADO

DESEMPAQUETADO

Este producto requiere armarse.

- Corte cuidadosamente los lados de la caja y después retire la herramienta y cualesquier accesorios de la caja. Asegúrese de que estén presentes todos los artículos enumerados en la lista de piezas sueltas.

NOTA: Esta herramienta es pesada y requiere al menos de dos personas para levantarla. Para evitar una lesión en la espalda, levántela con sus piernas, no con su espalda

⚠ ADVERTENCIA:

No utilice este producto si alguna pieza incluida en la lista de piezas sueltas ya está ensamblada al producto cuando lo desempaqueta. El fabricante no ensambla las piezas de esta lista en el producto. Éstas deben ser instaladas por el usuario. El uso de un producto que puede haber sido ensamblado de forma inadecuada podría causar lesiones personales graves.

- Inspeccione cuidadosamente la producto para asegurarse que no haya sufrido ninguna rotura o daño durante el transporte.
- No deseche el material de empaquetado hasta que haya inspeccionado cuidadosamente el producto y lo haya utilizado satisfactoriamente.
- Si hay piezas dañadas o faltantes, le suplicamos llamar al 1-877-205-5714, donde le brindaremos asistencia.

NOTA: La etiqueta de instrucciones de la unidad están solo en inglés. Para los clientes cuyo idioma principal sea el francés o el

español, quite la etiqueta en inglés de la unidad y reemplácelas con la etiqueta traducida deseada en la misma posición.

⚠ ADVERTENCIA:

Si hay piezas dañadas o faltantes, no utilice este producto sin haber reemplazado todas las piezas. Usar este producto con partes dañadas o faltantes puede causar lesiones serias al operador.

⚠ ADVERTENCIA:

No intente modificar esta producto ni introducir accesorios no recomendados para la misma. Cualquier alteración o modificación constituye maltrato y puede causar una condición peligrosa, y como consecuencia posibles lesiones corporales graves.

⚠ ADVERTENCIA:

No conecte la unidad al suministro de corriente antes de terminar de armarla. De lo contrario la unidad puede ponerse en marcha accidentalmente, con el consiguiente riesgo de lesiones corporales serias.

ARMADO

⚠️ ADVERTENCIA:

Siempre póngase protección ocular con protección lateral con la marca de cumplimiento de la norma ANSI Z87.1 cuando arme y realice el mantenimiento de este producto. De lo contrario, podría sufrir lesiones graves como resultado del impacto de objetos que puedan saltar hacia los ojos.

AVISO:

En muchas de las ilustraciones de este manual se muestran sólo porciones de la sistema de apertura para portón de garaje. Esto es intencional, para poder mostrar claramente lo que queremos decir en las ilustraciones. Nunca haga funcionar el sistema de apertura para portón de garaje sin todas las piezas aseguradas y en malas condiciones de funcionamiento.

⚠️ ADVERTENCIA:

Confirme que el trole interior esté en la orientación que aparece en la figura 10. La instalación inadecuada del trole interior puede hacer que el sistema de apertura para portón de garaje funcione al revés y, en consecuencia, provocar lesiones personales graves, o incluso la muerte, por el movimiento del portón.

ARMADO DE LOS RIELES

Vea las figuras 8 a 18.

- Localice las siguientes piezas:

Riel delantero

Riel trasero

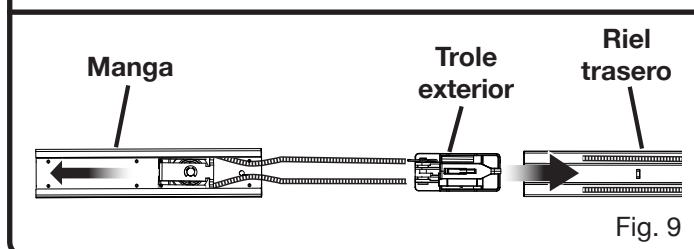
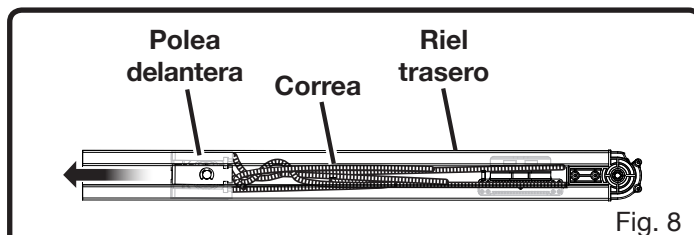
Riel soporte (3)

Manga (3)

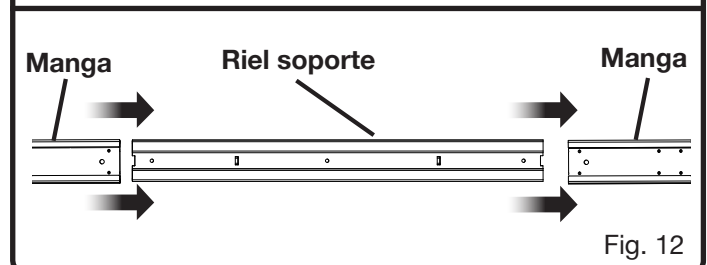
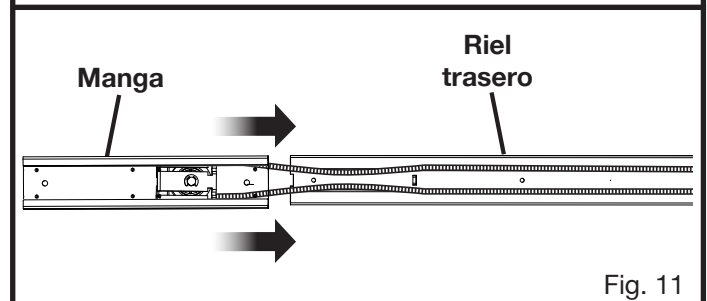
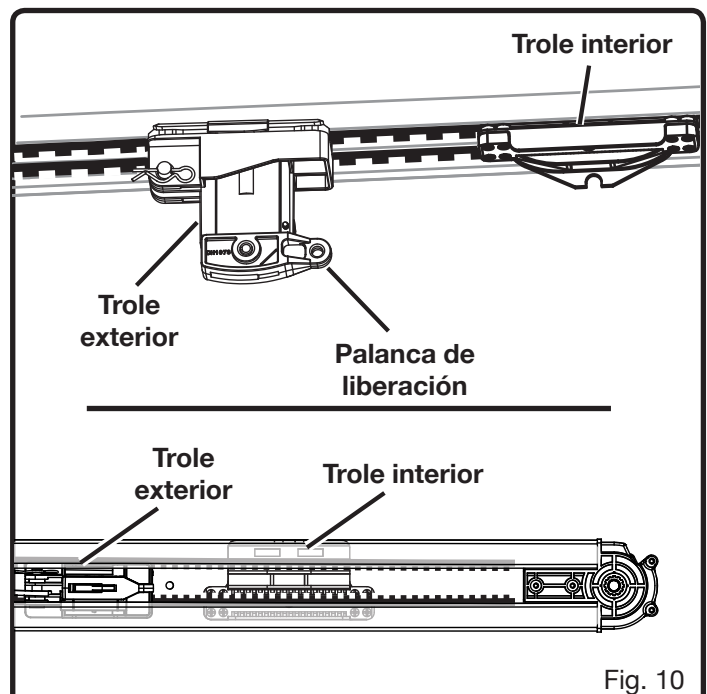
Conjunto de varilla de la polea

Trole exterior

- Retire la tira de amarre del riel y la polea.



- Tire de la polea delantera y la correa a través del riel delantero y la manga.
- Deslice el trole exterior en el riel delantero.
- Tire de la palanca de liberación hacia abajo y mueva el trole exterior hacia el trole interior hasta que se enganchados.
- Inserte el borde del riel trasero en la manga. Deslice al mismo tiempo hasta que el riel encastre en su lugar. Si no puede colocar el riel con la mano, golpéelo suavemente con una maza de goma hasta que encastre y se encaje en su lugar. **Tenga cuidado de no pellizcar o dañar la correa.**
- Repita este proceso para conectar el riel soporte, la segunda manga, el segundo riel soporte, la tercera manga, y el tercero riel soporte. Cuando estén armados correctamente, los rieles no deben separarse fácilmente cuando se tira de ellos.

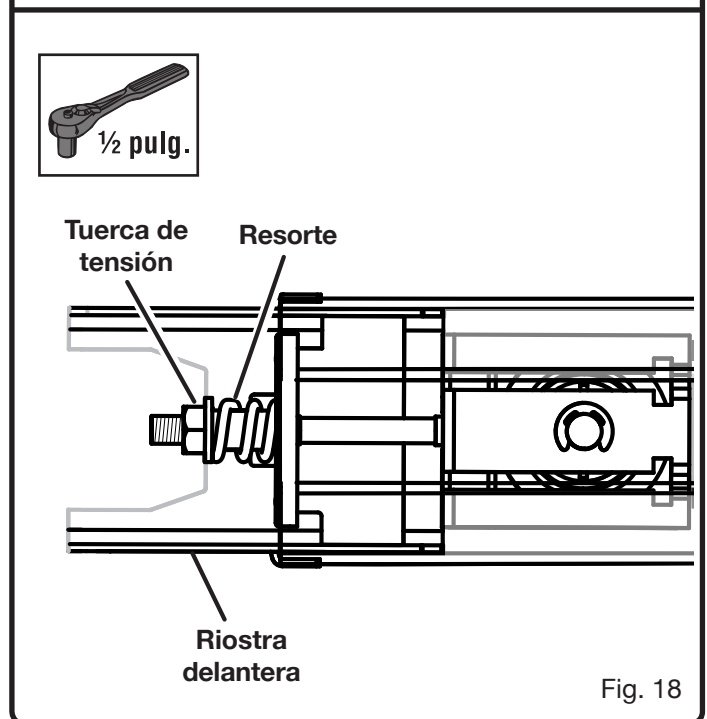
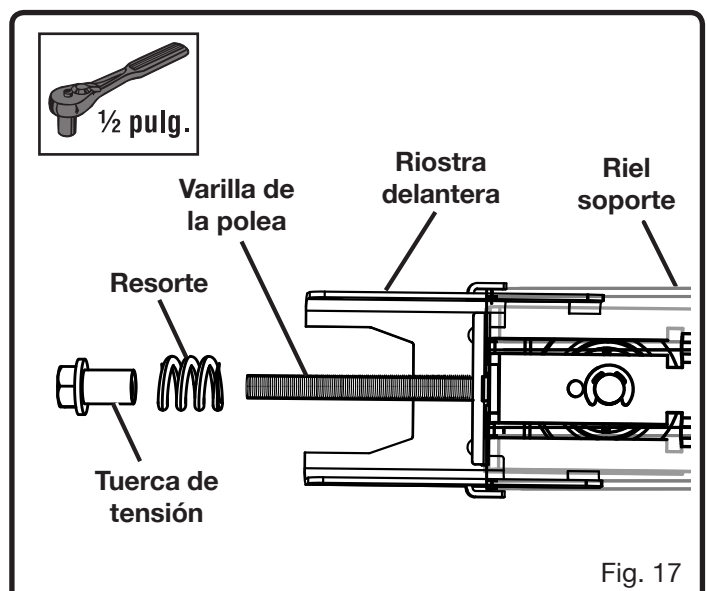
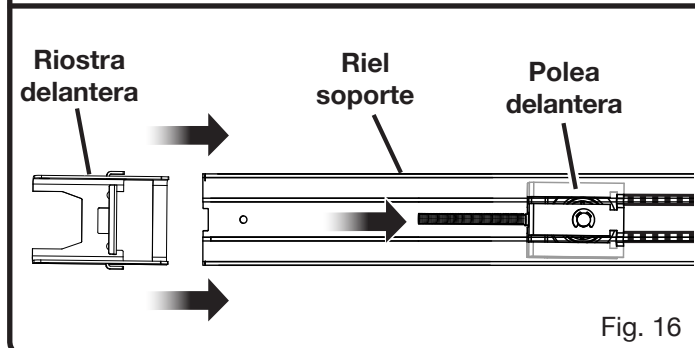
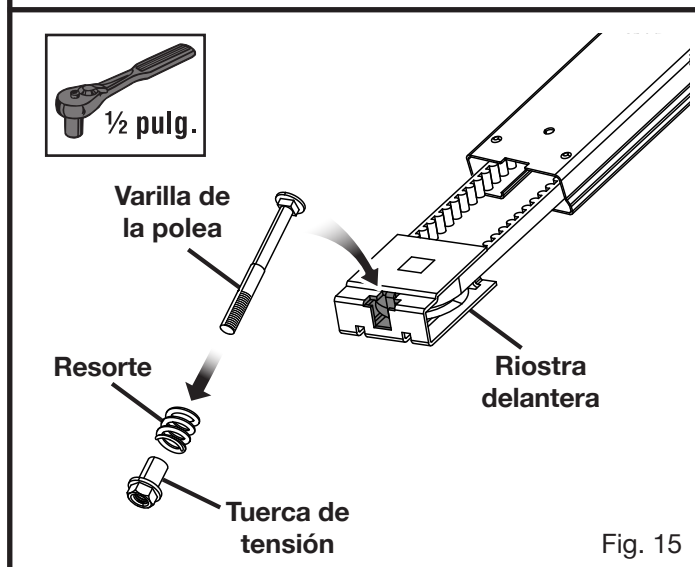
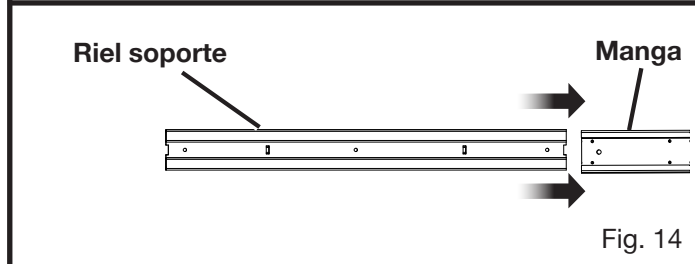
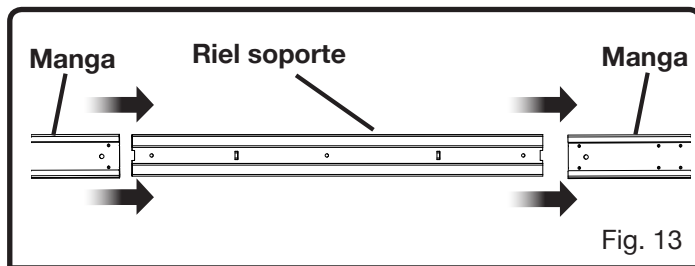


ARMADO

- Tire de la polea delantera y la correa hacia la parte frontal del conjunto de rieles.
- Gire la tuerca de tensión de la varilla de la polea en el sentido contrario a las agujas del reloj para aflojarla. Retire la tuerca de tensión y el resorte de la varilla de la polea.
- Inserte la varilla de la polea en la riostra delantera.

NOTA: Asegúrese que la cabeza de la varilla completamente asentada en la riostra.

- Vuelva a colocar la polea delantera en el conjunto de rieles.
- Inserte el borde de la riostra delantera en el conjunto de rieles. Deslice al mismo tiempo hasta que la riostra encastre en su lugar. Si no puede colocar la riostra con la mano, golpéela suavemente con una maza de goma hasta que encastre y se encaje en su lugar.
- Tire de la polea delantera hacia adelante y deslice la varilla a través del orificio en la riostra.



ARMADO

- Instale el resorte y la tuerca de tensión en la varilla de la polea.
- Mueva el trole interior y exterior hacia la mitad del conjunto de rieles.

AJUSTE DE LA TENSION DE LA CORREA

Veá las figuras 18 a 21.

- Con una llave de 1/2 pulg., gire la tuerca de tensión en el sentido de las agujas del reloj para ajustar la correa y en el sentido contrario para aflojarla. Ajuste la tuerca hasta que haya aproximadamente 9,5 a 12,7 mm (3/8 a 1/2 pulg.) de rosca expuesta sobre ella o hasta que la base de la tuerca esté alineada con el borde de la riostra.
- Cuando la tensión sea la adecuada, deberá existir un espacio de aproximadamente 3,2 mm (1/8 pulg.) entre la correa y los bordes del riel cerca del centro del conjunto de rieles.

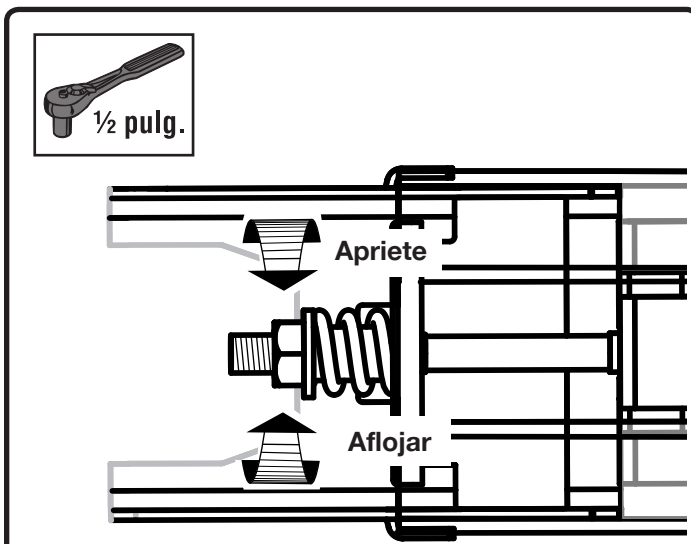


Fig. 19

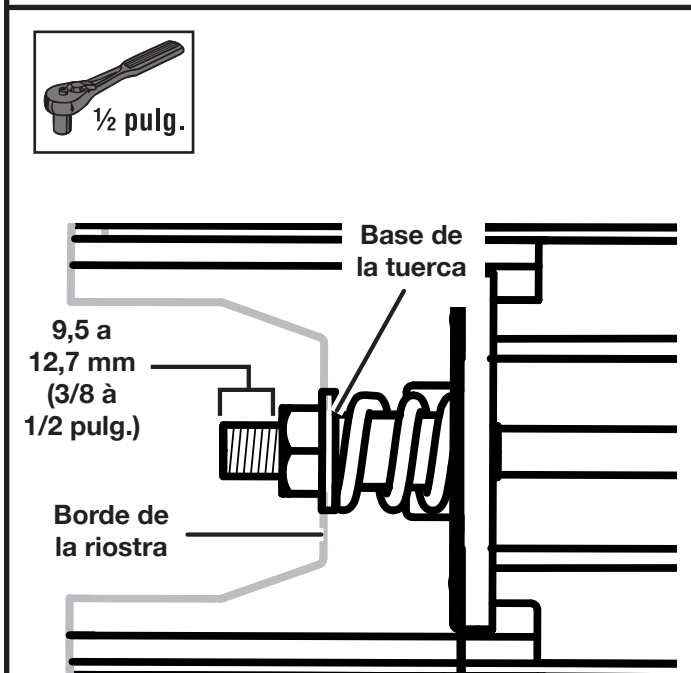


Fig. 20

CONEXIÓN DEL CONJUNTO DE RIELES AL CABEZAL DE ALIMENTACIÓN

Veá las figuras 22 a 24.

- Localice las siguientes piezas:
 - Cabezal de alimentación
 - Soporte (2)
 - Tuerca (7/16 pulg.) [4]
 - Rueda dentada
 - Conjunto de rieles
- Coloque el cabezal de alimentación sobre una toalla o sobre el material de embalaje con la cubierta de la luz hacia abajo. No coloque la unidad sobre superficies duras directamente ya que se podría dañar la cubierta de la luz y sensor de movimiento.
- Retire la cinta que asegura la antena Wi-Fi y levántela hasta la posición vertical para asegurarse de obtener una señal de Wi-Fi óptima.

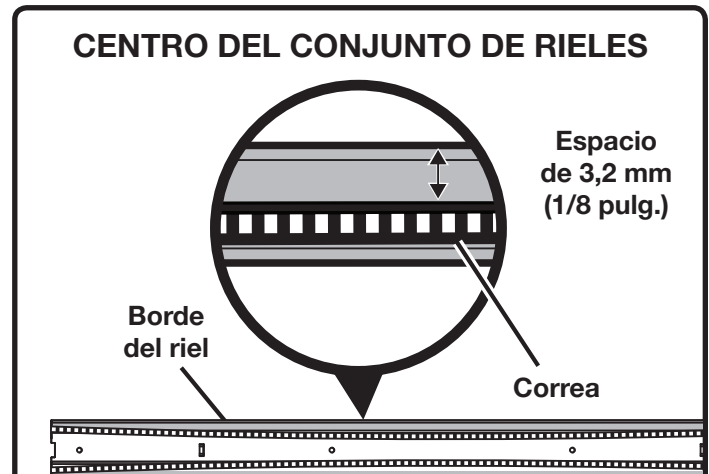


Fig. 21

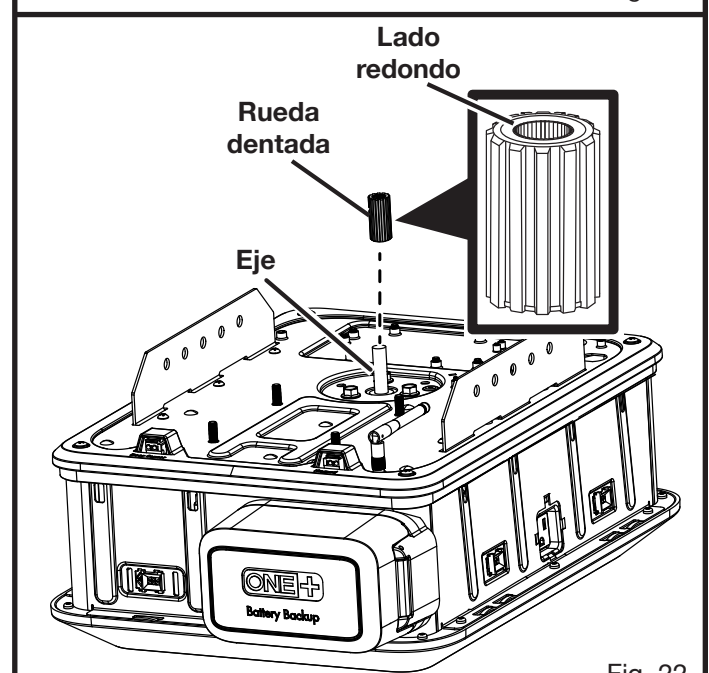
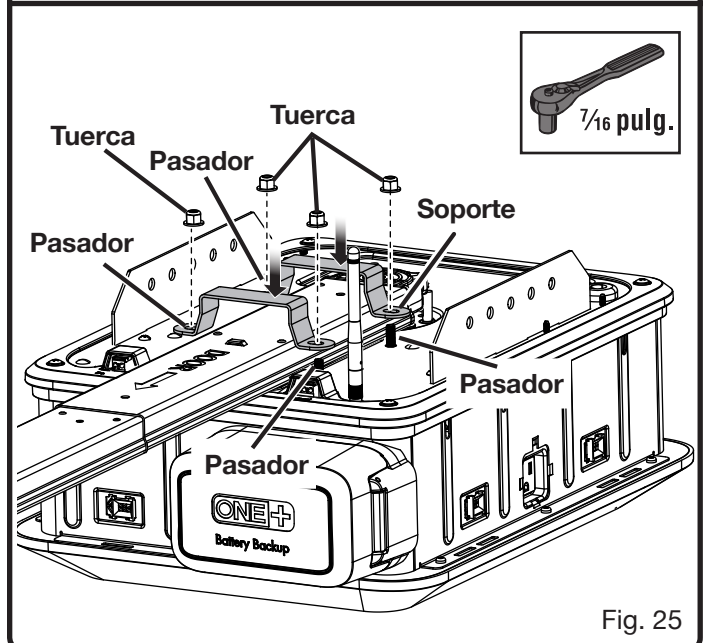
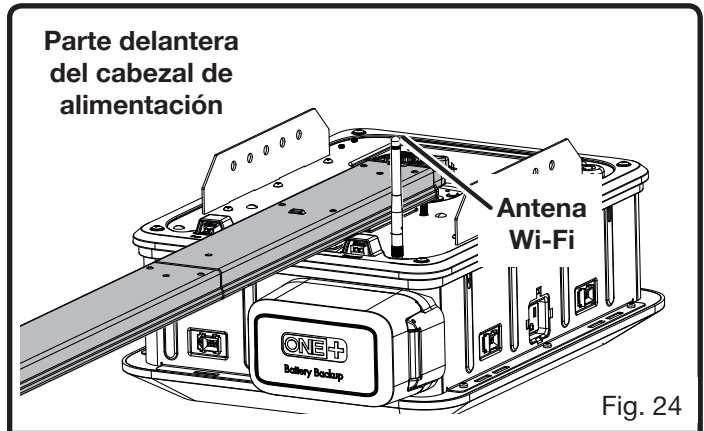
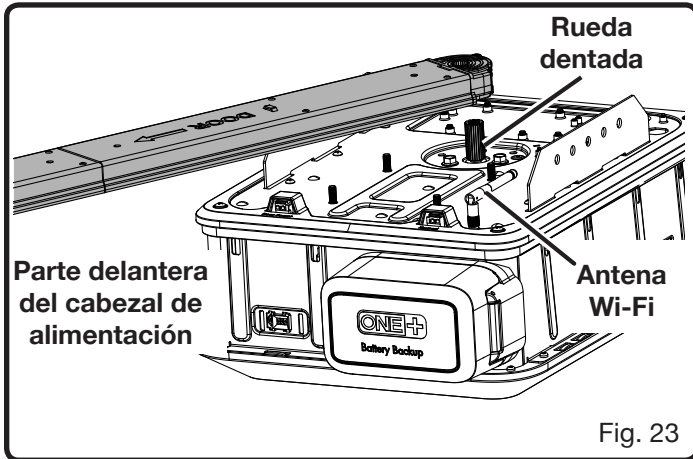


Fig. 22

ARMADO

NOTA: Asegúrese que la antena quede fijamente asegurada en el cabezal de energía.

- Coloque la rueda dentada dentro del eje del motor con el lado redondo de la rueda dentada apuntando hacia arriba.
- Sostenga el conjunto de rieles arriba del cabezal de alimentación con la flecha apuntando hacia la parte delantera del cabezal de alimentación y el portón del garaje.
- Gire el conjunto de rieles hasta que la apertura del riel esté alineada con la rueda dentada.
- Baje el riel trasero sobre el rueda dentada con el canal (extremo abierto) apuntando hacia abajo. Gire lentamente el riel en la orientación correcta a medida que lo baja hasta su posición.
- Cuando esté instalada correctamente, los dientes de la rueda dentada deben enganchar en el conjunto de rieles y el riel debe asentarse en forma plana sobre el cabezal de alimentación.
- Instalar les supports sur le dessus des montants et sur l'extrémité du rail.
- Coloque las tuercas dentro de los pernos y ajuste con un casquillo de 7/16 pulg.. **No apriete demasiado.**



INSTALACIÓN

INSTRUCCIONES IMPORTANTES DE INSTALACIÓN

⚠️ ADVERTENCIA: **PARA REDUCIR EL RIESGO DE LESIONES GRAVES O LA MUERTE:**

1. LEA Y SIGA TODAS LAS INSTRUCCIONES DE INSTALACIÓN.
2. Realice la instalación solo en un portón de garaje correctamente balanceado. Un portón incorrectamente balanceado puede provocar lesiones graves. Una persona de servicio calificada debe realizar las reparaciones de cables, conjuntos de resortes y otros accesorios antes de instalar el sistema de apertura.
3. Retire todas las sogas y extraiga todos los seguros (o desactívelos) conectados al portón de garaje antes de instalar el sistema de apertura.
4. Si es posible, instale el sistema de apertura para portón de garaje a 2,13 metros (7 pies) o más por encima del suelo. Para los productos que tienen liberación de emergencia, monte la liberación de emergencia dentro del radio de alcance, pero al menos a 1,8 metros (6 pies) por encima del piso y evite el contacto con los vehículos para impedir la liberación accidental.
5. No conecte el sistema de apertura a una fuente de alimentación hasta que se lo indiquen.
6. Ubique el botón de control: (a) dentro de la línea de visión del portón, (b) a una altura mínima de 1,5 metros (5 pies) de manera que los niños pequeños no puedan alcanzarlo y (c) lejos de todas las piezas móviles del portón.
7. Instale la etiqueta de advertencia de atascamiento junto al botón de control en una ubicación visible. Instale la marca de liberación de emergencia. Conecte la marca sobre o junto a la liberación de emergencia.
8. Después de instalar el sistema de apertura, el portón debe revertirse cuando entre en contacto con un objeto de 38,1 mm (1-1/2 pulg.) (O una tabla de 50,8 x 101,6 mm (2 x 4 pulg.) De forma plana) de alto sobre el suelo.
9. **ADVERTENCIA:** Para reducir el riesgo de lesiones para personas: solo active el funcionamiento sin asistencia cuando realice la instalación en un portón seccional.

⚠️ ADVERTENCIA:

Para reducir el riesgo de lesiones para personas: solo active la característica de la aplicación del sistema del accesorio de apertura para portón de garaje RYOBI cuando realice la instalación en un portón seccional.

⚠️ ADVERTENCIA:

No conecte el sistema de apertura para portón de garaje a una fuente de alimentación durante la instalación, a menos que se indique específicamente. De lo contrario la unidad puede ponerse en marcha accidentalmente, con el consiguiente riesgo de lesiones corporales serias.

⚠️ ADVERTENCIA:

Para evitar lesiones personales graves, asegúrese de que el sistema de apertura para portón de garaje este montado sobre vigas. Nunca monte la unidad en panel de yeso o en rejillas falsas en el techo.

⚠️ ADVERTENCIA:

Al instalar este producto, siempre use protección para los ojos con protectores laterales que cumplan con el estándar ANSI Z87.1. De lo contrario, podría sufrir lesiones graves como resultado del impacto de objetos que puedan saltar hacia los ojos.

AVISO:

En muchas de las ilustraciones de este manual se muestran sólo porciones de la sistema de apertura para portón de garaje. Esto es intencional, para poder mostrar claramente lo que queremos decir en las ilustraciones. Nunca haga funcionar el sistema de apertura para portón de garaje sin todas las piezas aseguradas y en malas condiciones de funcionamiento.

⚠️ ADVERTENCIA:

Si se siente incómodo realizando alguno de los pasos de instalación descritos en este manual, haga que una persona de servicio calificada realice la instalación. La instalación incorrecta del sistema de apertura para portón de garaje puede provocar lesiones personales graves, daños a la propiedad o la muerte.

INSTALACIÓN

REVISE EL ESTADO DEL PORTÓN E IDENTIFIQUE EL TIPO DE RESORTE

Vea las figuras 26 a 28.

⚠️ ADVERTENCIA:

Si el portón del garaje no se mueve suavemente, se atasca o está desbalanceado, hágalo reparar o reemplazar por una persona de servicio calificada. Un portón de garaje desbalanceado o dañado puede no revertirse cuando se le ordene hacerlo, lo que puede causar lesiones personales graves o la muerte.

AVISO:

El sistema de apertura para portón de garaje no funcionará como se espera si se instala en un portón de garaje no balanceado.

- Retire las sogas conectadas al portón del garaje.
- Desactive todos los seguros del portón.
- Eleve y baje el portón para asegurarse de que se mueva libremente.
- Revise el balance del portón. Eleve el portón hasta que esté abierto por la mitad y suéltelo. Si está correctamente balanceado, el portón permanecerá en esta posición sin moverse.

NOTA: Para portones de garaje de un solo panel, puede revisar el balance en dos posiciones adicionales. Eleve el portón hasta que esté cerca de la posición completamente abierta (aproximadamente a la altura del hombro) y suéltelo. Si está correctamente balanceado, el portón debe moverse hasta la posición completamente abierta. Baje el portón hasta que esté aproximadamente en la posición completamente cerrada (aproximadamente a la altura de la rodilla). Si está correctamente balanceado, el portón debe moverse hasta la posición completamente cerrada.

- Si el portón no se mueve suavemente, se atasca o está desbalanceado, esto puede indicar un problema con el portón, los resortes del portón (resorte de torsión y/o resorte de extensión) o los componentes de los resortes. Haga que una persona de servicio calificada repare el portón del garaje o los resortes del portón antes de instalar el sistema de apertura para portón de garaje.

⚠️ ADVERTENCIA:

Nunca intente aflojar, ajustar o extraer los resortes del portón (resorte de torsión y/o resorte de extensión), los componentes de los resortes del portón ni ninguna superficie a la que estén fijos estos elementos. Estos elementos se encuentran bajo extrema tensión y cualquier alteración puede provocar lesiones personales graves, la muerte y daños a la propiedad.

- Si el portón se mueve suavemente y está balanceado, puede comenzar con la instalación del sistema de apertura para portón de garaje.

Posición
parcialmente
abierta

Portones
seccionales

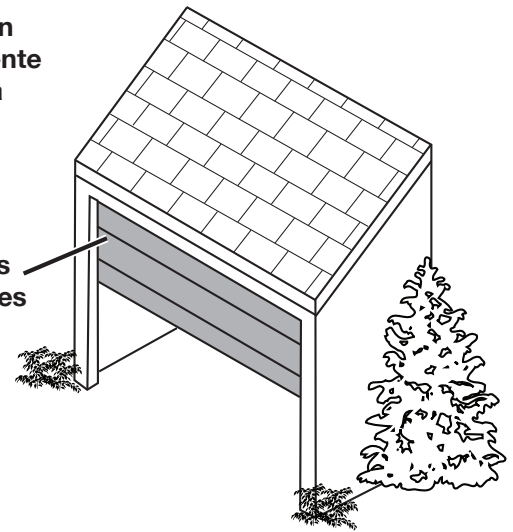


Fig. 26

Posición
parcialmente
abierta

Portones de
un solo panel

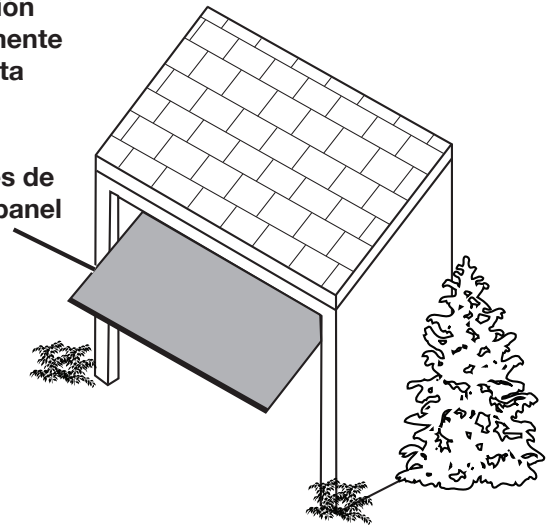


Fig. 27

Resorte de torsión

Resorte de extensión

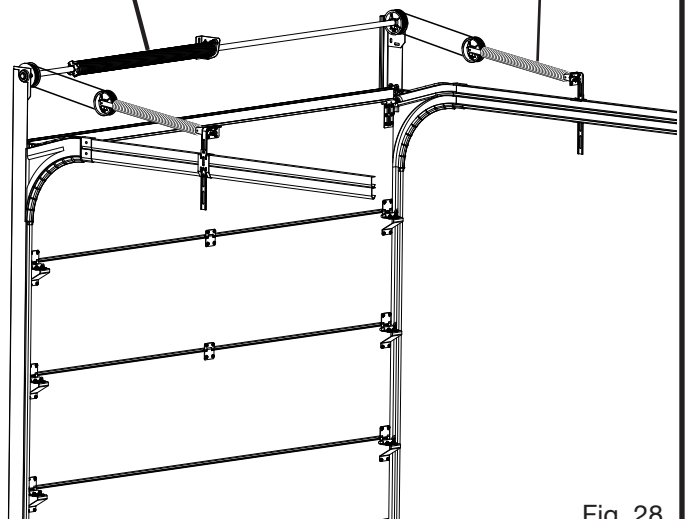


Fig. 28

INSTALACIÓN

INSTALACIÓN DEL SOPORTE DEL CABEZAL

Veá las figuras 29 a 31.

⚠ ADVERTENCIA:

Para evitar lesiones personales graves, conecte el soporte del cabezal a un soporte estructural sólido sobre la pared del cabezal. NUNCA instale el soporte del cabezal en superficies débiles como paneles de yeso que pueden hacer que el soporte del cabezal se caiga.

⚠ ADVERTENCIA:

SIEMPRE utilice tirafondos y anclajes de concreto (no incluidos) cuando instale el soporte del cabezal en concreto de 50 x 100 mm (2 x 4 pulg.), ladrillo u otro tipo de mampostería. Si no instala correctamente el soporte del cabezal y los accesorios asociados puede generar un riesgo de objetos que caigan y provocar así lesiones personales graves o la muerte.

⚠ ADVERTENCIA:

Solo instale tornillos, pernos, anclajes y otras herramientas en soportes estructurales sólidos en áreas donde no haya cables eléctricos, cables de líneas de voltaje, tuberías u otras obstrucciones. Comuníquese con su compañía local de servicios públicos o con un electricista calificado si no está seguro. Asegúrese de que todos los componentes de hardware estén bien instalados para evitar que caigan objetos. Si no sigue estas instrucciones puede provocar la muerte, descargas eléctricas u otras lesiones personales graves.

Siempre instale el soporte del cabezal en una superficie rígida. La fuerza necesaria para elevar y bajar el portón del garaje puede jalar el soporte y los accesorios de montaje en superficies débiles como los paneles de yeso. Para algunas instalaciones, es posible que sea

necesario crear una ubicación adecuada para el soporte instalando una placa de 50 x 100 mm (2 x 4 pulg.). La placa de 50 x 100 mm (2 x 4 pulg.) puede instalarse entre dos pasadores o en mampostería con tirafondos y anclajes de concreto (no suministrados).

- Localice las siguientes piezas:
 - Soporte del cabezal
 - Tirafondo (1/2 pulg. x 1-1/2 pulg.) [2]

Para instalar el soporte en la pared del cabezal:

- Baje el portón del garaje completamente.
- Utilizando un lápiz y un nivel, dibuje una línea vertical en el centro de la parte superior del portón del garaje.
- Continúe dibujando la línea central desde el portón hasta la pared del cabezal. Extienda la línea a aproximadamente 0,3 metros (1 pie) por encima del portón del garaje lo más lejos posible.

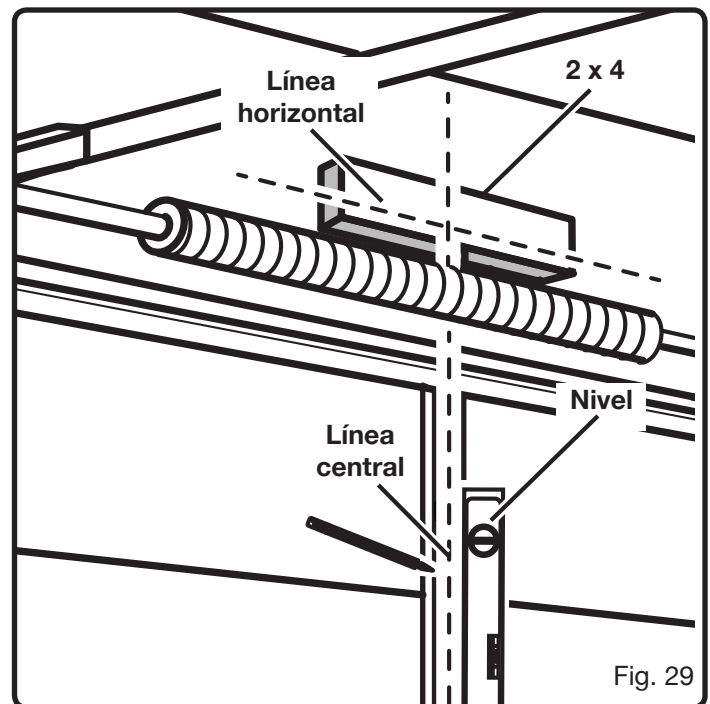


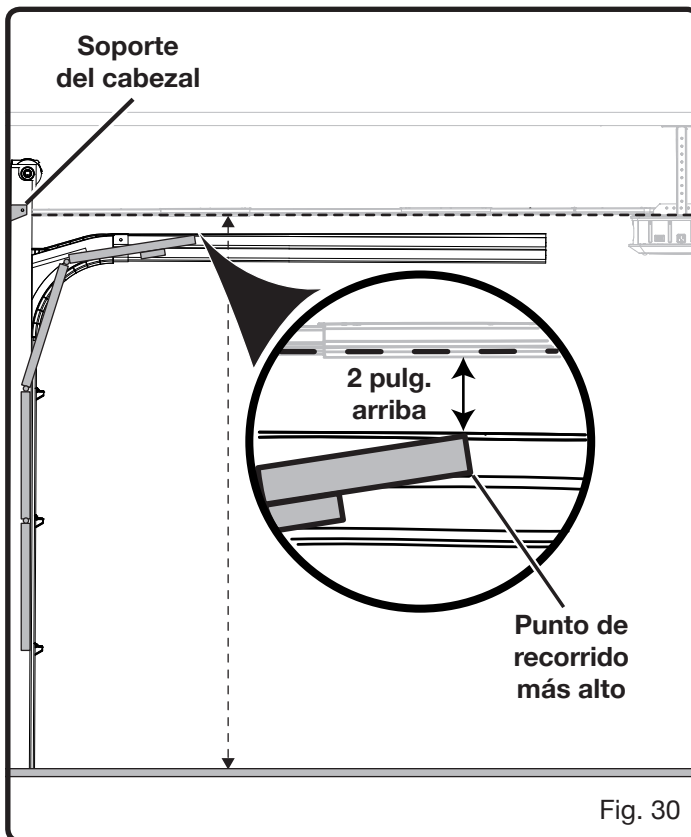
Fig. 29

INSTALACIÓN

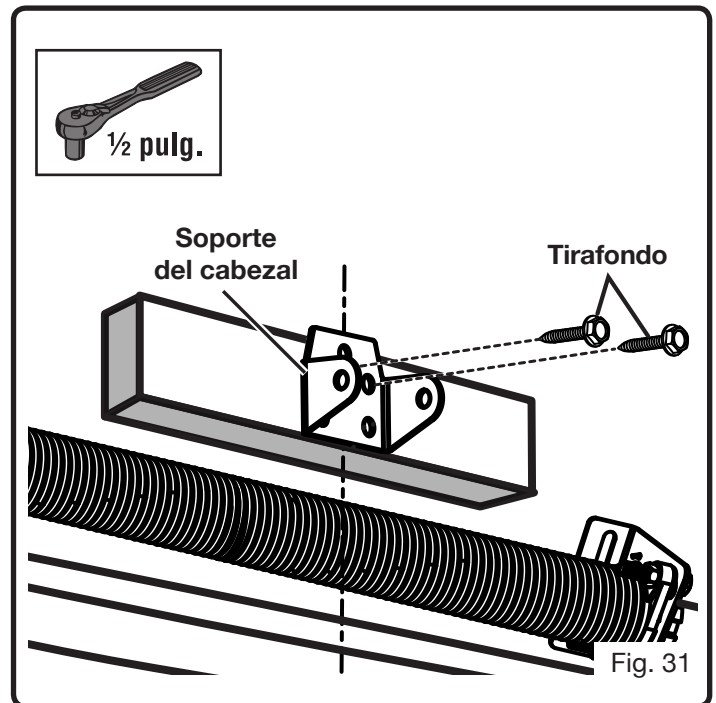
- Párese sobre una escalera cerca del portón del garaje y haga que otra persona lo levante. Mientras se está moviendo, busque y marque el punto más alto del recorrido sobre la línea central. El punto alto puede variar según el tipo y la construcción del portón del garaje, pero, en general, estará de 254 a 304 mm (10 a 12 pulgadas) por encima de la parte superior del portón.

⚠ ADVERTENCIA:

Tenga mucho cuidado cuando se pare en una escalera. Asegúrese de que alguien sostenga la escalera en el suelo para mantenerla estable. Si no usa la escalera de manera segura puede provocar una caída y causar la muerte o lesiones personales graves.



- Dibuje una línea horizontal bisectriz arriba del punto alto:
 - Para los portones de garaje seccionales o de un solo panel con pistas, la línea debe estar a aproximadamente 50 mm (2 pulg.) por encima del punto alto.
 - Para los portones de garaje de un solo panel sin pistas, la línea debe estar a aproximadamente 203 mm (8 pulg.) por encima del punto alto.
- **NOTA:** La posición de la línea horizontal determinará el espacio entre la parte superior del portón y el conjunto de rieles. Si la altura del garaje impide dibujar la línea como se especificó anteriormente, dibújela lo más lejos posible del punto alto.
- Oriente el soporte del cabezal como se muestra en la figura 31.
- Coloque el borde inferior del soporte del cabezal sobre la línea horizontal y centre el soporte sobre la línea central.
- Marque los orificios en el soporte.
- Taladre orificios piloto de 4,8 mm (3/16 pulg.) y asegure el soporte en su lugar con tirafondos. Instale los tornillos con un casquillo de 1/2 pulg.



INSTALACIÓN

CONEXIÓN DEL CONJUNTO DE RIELES AL SOPORTE DEL CABEZAL

Vea la figura 32.

- Localice las siguientes piezas:

Pasador sujetable grande

Pasador del enganche

- Coloque el cabezal de alimentación en la parte superior de un puntal o sobre el piso con una toalla o el material del embalaje debajo.

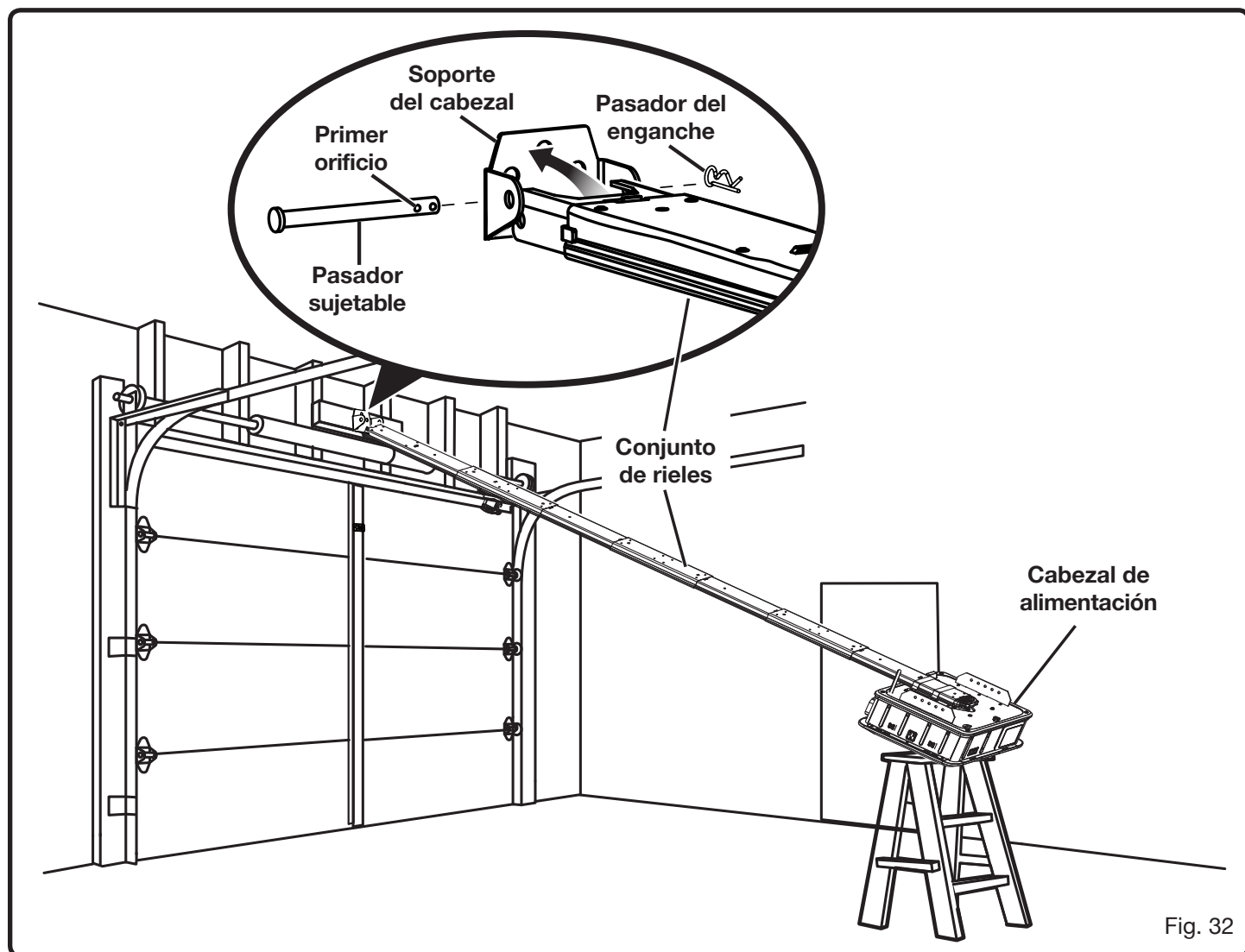
- Incline el conjunto de rieles de manera que descance contra el soporte del cabezal.

NOTA: Si algún resorte del portón u otra obstrucción atraviesa el camino, haga que otra persona sostenga el sistema de apertura para portón de garaje o balancéelo sobre un soporte elevado mientras coloca el conjunto de rieles.

- Alinee los orificios en el soporte con los orificios del conjunto de rieles como se muestra en la figura.

- Coloque el pasador sujetable grande y asegure con pasador del enganche.

NOTA: El pasador de enganche debe instalarse en el primer orificio más cercano al cabezal del pasador.



INSTALACIÓN

MONTAJE DEL CABEZAL DE ALIMENTACIÓN AL TECHO

Vea las figuras 33 a 38.

ADVERTENCIA:

Monte el sistema de apertura para portón de garaje a un soporte estructural sólido en el techo. NUNCA monte el portón de garaje en panel de yeso o en rejillas falsas en el techo. SIEMPRE utilice anclajes de concreto cuando instale los soportes en concreto, ladrillo u otro tipo de mampostería. Si no monta el cabezal de alimentación de manera correcta puede provocar que se caiga y causar lesiones personales graves, daños a la propiedad o la muerte.

- Localice las siguientes piezas:

Cinta de montaje (2)

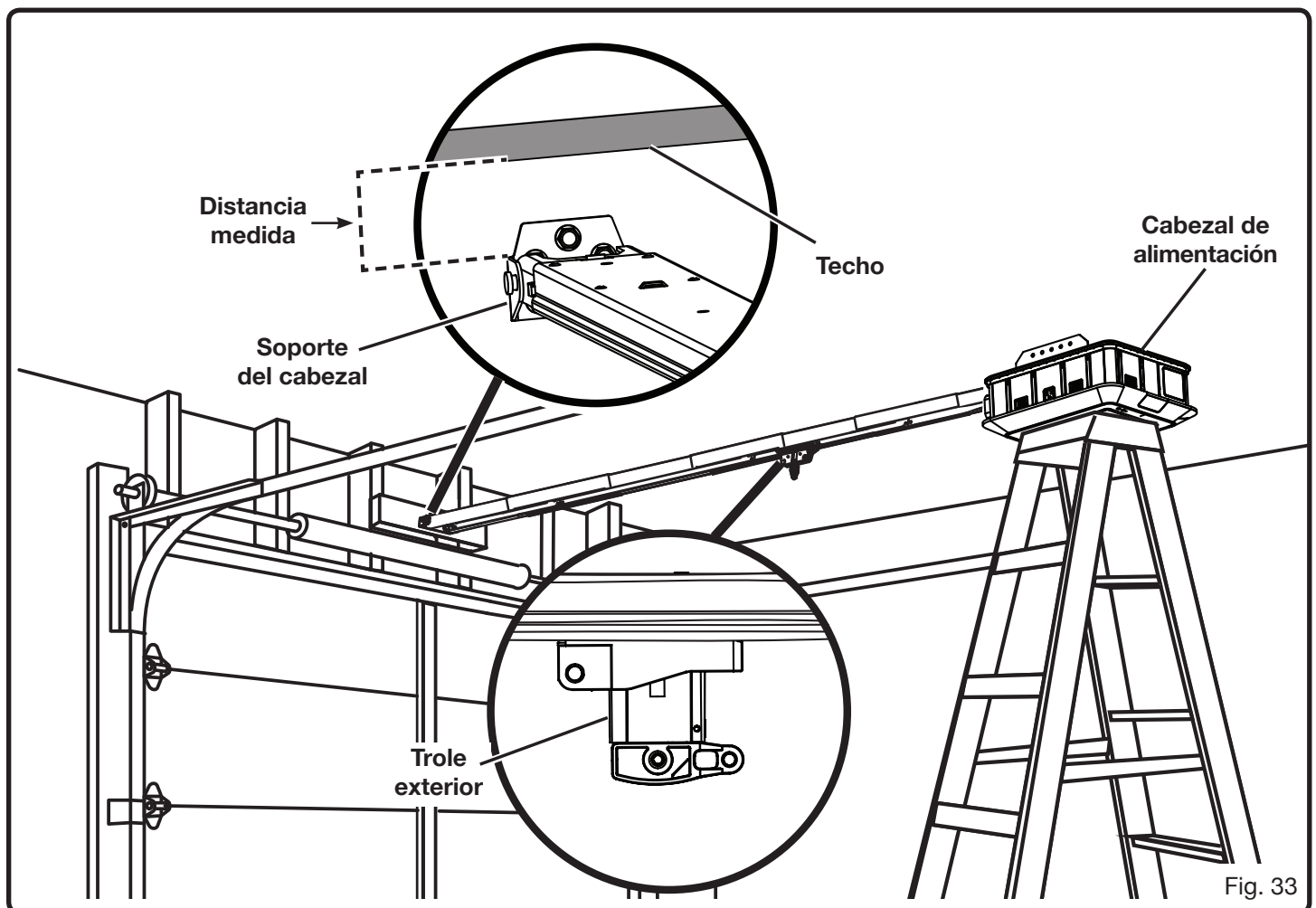
Perno (7/16 pulg. x 3/4 pulg.) [6]

Arandela (7/16 pulg.) [6]

Tuerca (7/16 pulg.) [6]

- Baje el portón del garaje completamente.
- Mida el espacio entre el soporte del cabezal y el techo.
NOTA: Para los techos no terminados, mida el espacio entre el soporte del cabezal y las vigas más cercanas de cada lado.
- Eleve el cabezal de alimentación con cuidado y colóquelo en la parte superior de una escalera.
- Mueva el cabezal de alimentación hasta que esté alineado con el soporte del cabezal y el conjunto de rieles esté sobre la línea central del portón.
- Tire de la palanca de liberación del trole hacia abajo y deslice el trole exterior completamente hacia el cabezal de alimentación.

NOTA: La configuración y colocación correctas de los soportes y las cintas de montaje puede variar según el diseño y la construcción del techo del garaje. Las figuras 34 a 38 sirven como ejemplos, pero su configuración puede variar.



INSTALACIÓN

Para montar el cabezal de alimentación en techos terminados:

- Instale el soporte central o los soportes centrales (no suministrados) en las vigas más cercanas u otros soportes estructurales del techo del garaje usando tirafondos (no suministrados).
- Utilizando una sierra de arco, corte piezas de las cintas de montaje de doce milímetros (media pulgada) más que la longitud medida entre el soporte del cabezal y el techo.

NOTA: Las cintas de montaje que están conectadas diagonalmente deben cortarse más largas que la distancia vertical medida en la figura 33.

- Conecte las cintas al sistema de apertura para portón de garaje y los soportes utilizando pernos, arandelas, y tuercas. Ajuste los pernos y las tuercas con un casquillo de 7/16 pulg.

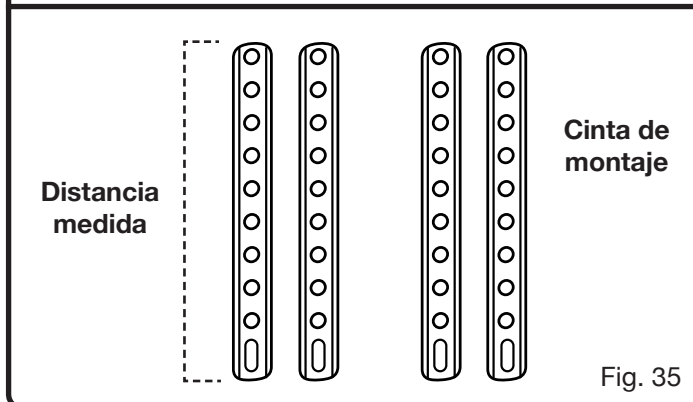
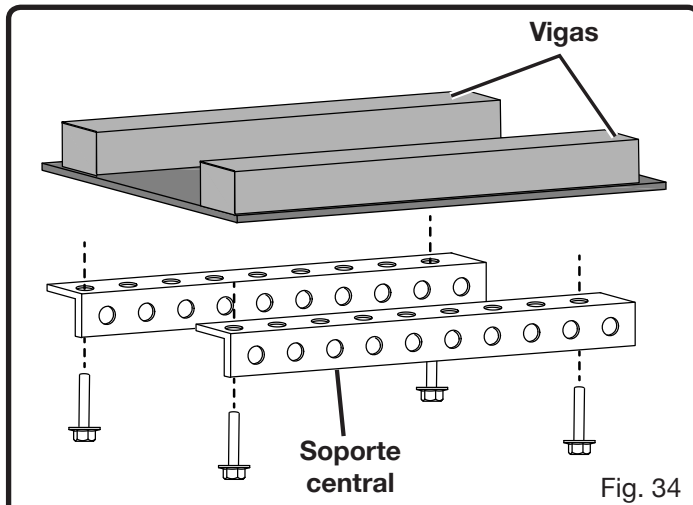
NOTA: Instale cintas y tuercas dentro de los soportes (que apuntan al riel).

- Retire la escalera y levante el portón. Si no hay suficiente espacio entre el conjunto de rieles y el portón, mueva el soporte del cabezal hacia arriba y repita los pasos anteriores.

Para montar el cabezal de alimentación en techos no terminados:

- Utilizando una sierra de arco, corte piezas de las cintas de montaje de doce milímetros (media pulgada) más que las longitudes medidas entre el soporte del cabezal y las vigas más cercanas de cada lado.

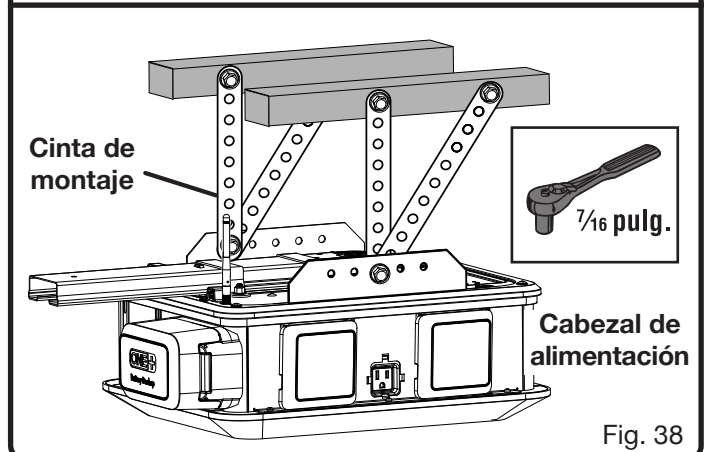
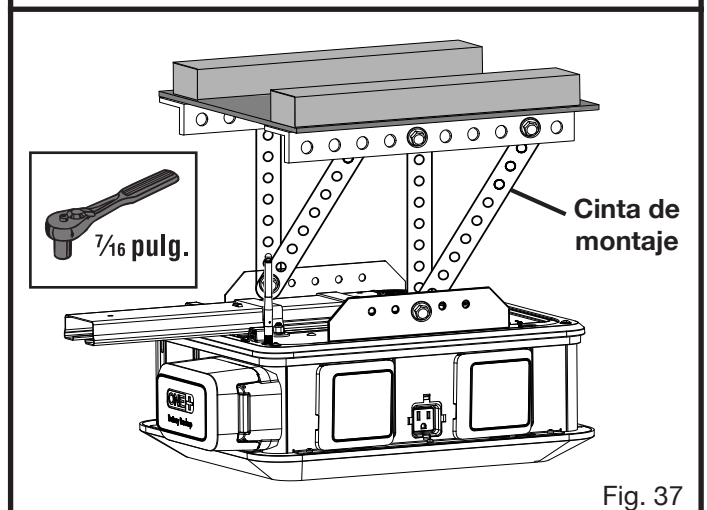
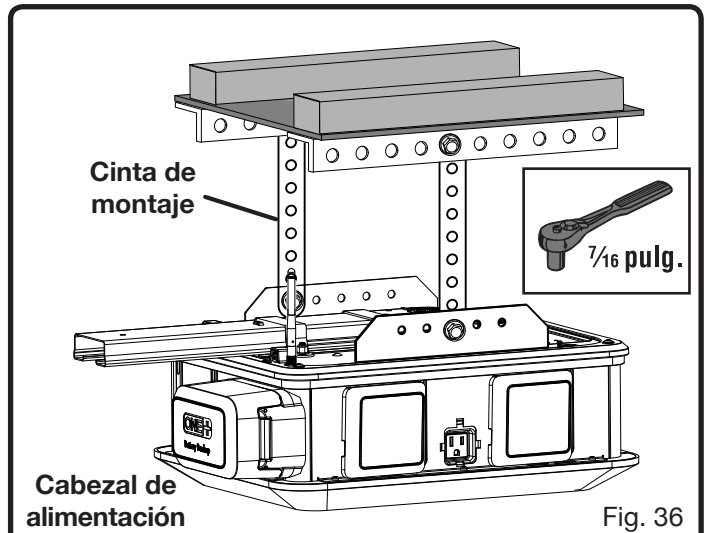
NOTA: Las cintas de montaje que están conectadas diagonalmente deben cortarse más largas que la distancia vertical medida en la figura 33.



- Conecte las cintas al sistema de apertura para portón de garaje y las vigas utilizando pernos, arandelas, y tuercas (consulte la figura 38). Ajuste los pernos y las tuercas con un casquillo de 7/16 pulg.

NOTA: Instale cintas y tuercas dentro de los soportes (que apuntan al riel).

- Retire la escalera y levante el portón. Si no hay suficiente espacio entre el conjunto de rieles y el portón, mueva el soporte del cabezal hacia arriba y repita los pasos anteriores.



INSTALACIÓN

UBICACIÓN DE LA ANTENA RF

Vea la figura 39.

- Remueva la cinta adhesiva que asegura la antena RF.
- Mueva cuidadosamente la antena de manera que cuelgue debajo del abridor.

NOTA: Si la antena RF no queda debajo del abridor, la recepción de señal entre el abridor y el panel exterior o controles remotos de coche puede debilitarse.

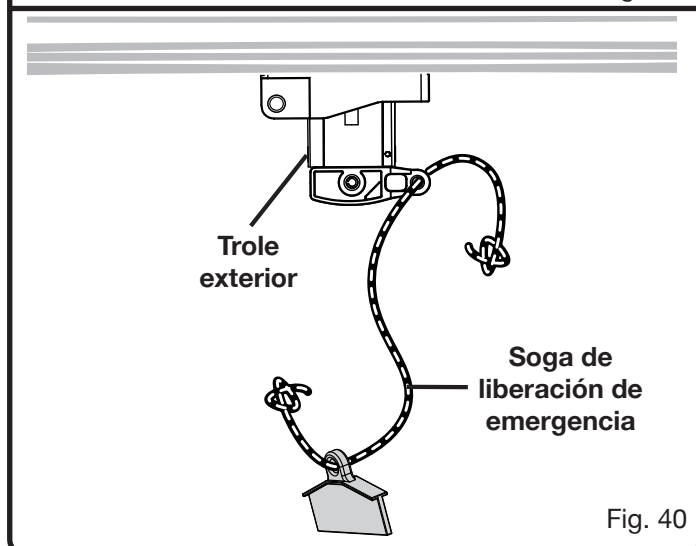
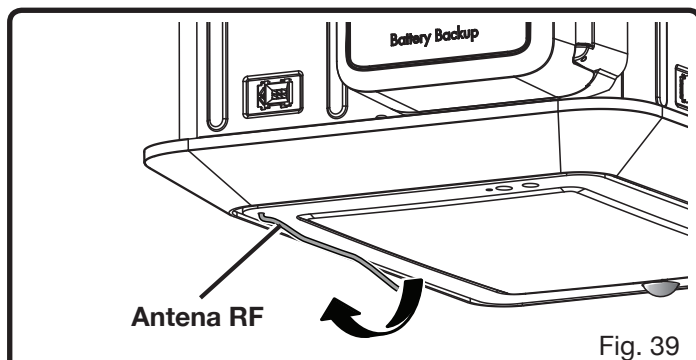
CONEXIÓN DE LA SOGA DE LIBERACIÓN DE EMERGENCIA

Vea la figura 40.

⚠ ADVERTENCIA:

No enganche la liberación de emergencia mientras el portón del garaje esté abierto, no utilice la soga de liberación de emergencia para elevar o bajar el portón del garaje y solo enganche la liberación de emergencia cuando el trayecto del portón esté libre de personas, mascotas y obstrucciones. Si no engancha correctamente la liberación de emergencia, puede provocar la muerte o lesiones personales graves por la caída del portón del garaje.

- Localice las siguientes piezas:
 - Soga de liberación de emergencia
- Baje el portón del garaje completamente.



- Inserte un extremo de la soga de liberación de emergencia a través del orificio del mango y ate un nudo en la parte inferior.
- Inserte el otro extremo de la soga de liberación de emergencia a través del orificio de la palanca de liberación del trole. Tire de la soga hacia arriba hasta que esté a aproximadamente 1,83 metros (6 pies) por encima del piso del garaje, y luego ate un nudo.

INSTALACIÓN DEL SOPORTE DEL PORTÓN

Vea las figuras 41 a 44.

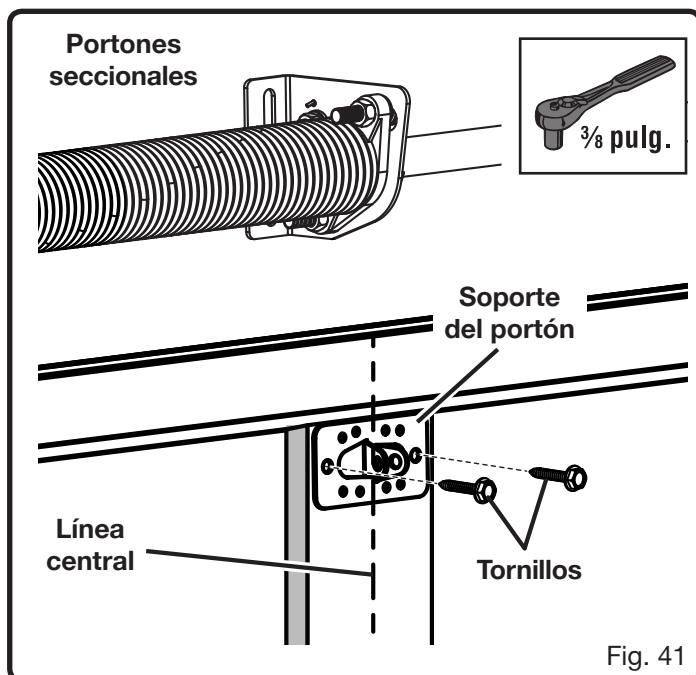
- Localice las siguientes piezas:
 - Soporte del portón
 - Tornillo autorroscante (2)

AVISO:

Antes de instalar el soporte del portón, asegúrese de que el portón tenga un soporte horizontal y vertical adecuado. Los portones de garaje de aluminio, fibra de vidrio y otros materiales livianos pueden requerir refuerzos verticales u horizontales. Consulte con el fabricante o instalador del portón del garaje para ver las instrucciones de refuerzo. Instalar un sistema de apertura para portón de garaje en un portón que no esté correctamente soportado puede dañar el portón y anular la garantía.

Para instalar el soporte en portones de garaje seccionales:

- Baje el portón del garaje completamente.
- Utilizando un lápiz y un nivel, dibuje una línea vertical en el centro de la parte superior del portón del garaje.
- Centre el soporte en la línea y colóquelo justo debajo de la parte superior del portón o aproximadamente a la misma altura que el rodillo superior.
- Marque los orificios medios en las partes izquierda y derecha del soporte.



INSTALACIÓN

- Asegure el soporte en su lugar instalando tornillos autorroscantes en los orificios centrales a la derecha e izquierda del soporte. Ajuste los tornillos con un casquillo de 3/8 pulg.

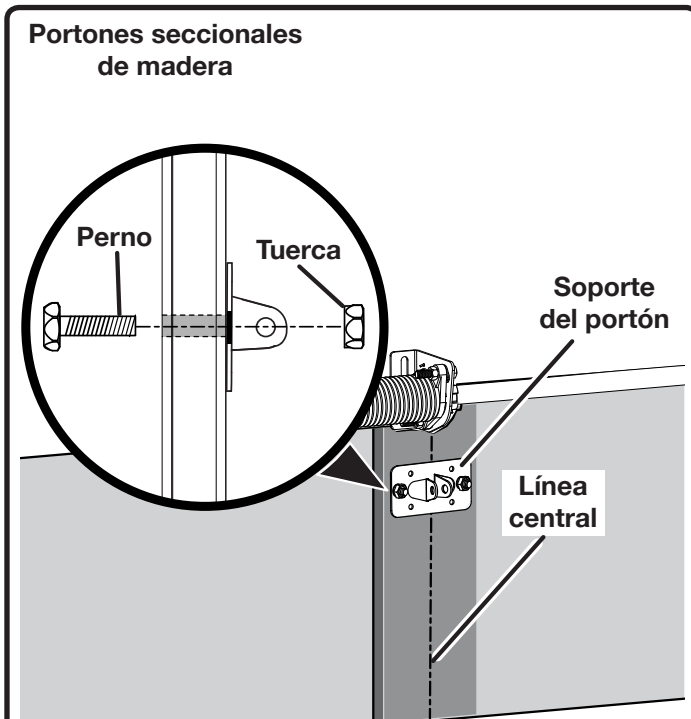


Fig. 42

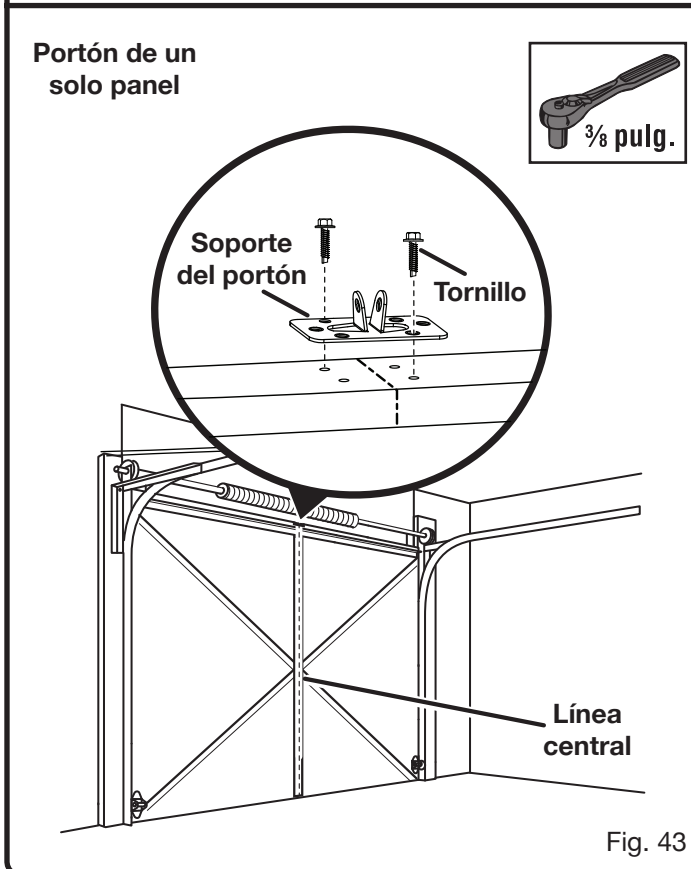


Fig. 43

NOTA: Para portones de madera, taladre un orificio completamente a través del portón e instale el soporte con pernos (no suministrados) y tuercas (no suministradas), consulte la figura 42.

Para instalar el soporte en portones de un solo panel:

- Baje el portón del garaje completamente.
- Utilizando un lápiz y un nivel, dibuje una línea vertical en el centro de la parte superior del portón del garaje.
- Extienda la línea sobre el borde superior del portón.
- Coloque el soporte del portón en el borde superior del portón y céntralo en la línea.

NOTA: El soporte también puede colocarse en la parte superior delantera del portón si es necesario.

- Marque los orificios en el soporte.
- Fije el soporte en su lugar con tornillos. Ajuste los tornillos con un casquillo de 3/8 pulg.

NOTA: Para portones de madera, taladre un orificio completamente a través del portón e instale el soporte con pernos (no suministrados) y tuercas (no suministradas).

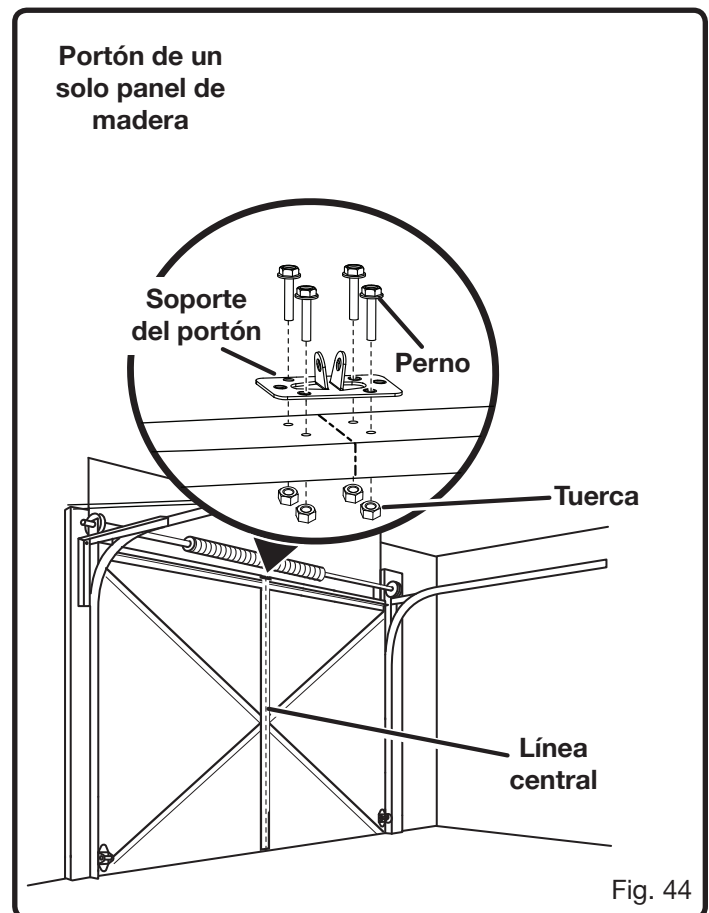


Fig. 44

INSTALACIÓN

CONEXIÓN DEL SOPORTE DEL PORTÓN AL TROLE EXTERIOR

Veá las figuras 45 a 50.

- Localice las siguientes piezas:

Brazo curvo del portón

Brazo recto del portón

Pasador sujetable mediano

Pasador sujetable pequeño

Pasador del enganche (2)

Perno (1/2 pulg. x 1 pulg.) [2]

Tuerca de seguridad (1/2 pulg.) [2]

Para conectar portones seccionales:

- Baje el portón del garaje completamente.
- Tire de la soga de liberación de emergencia hacia abajo y deslice el trole exterior hacia el portón del garaje.

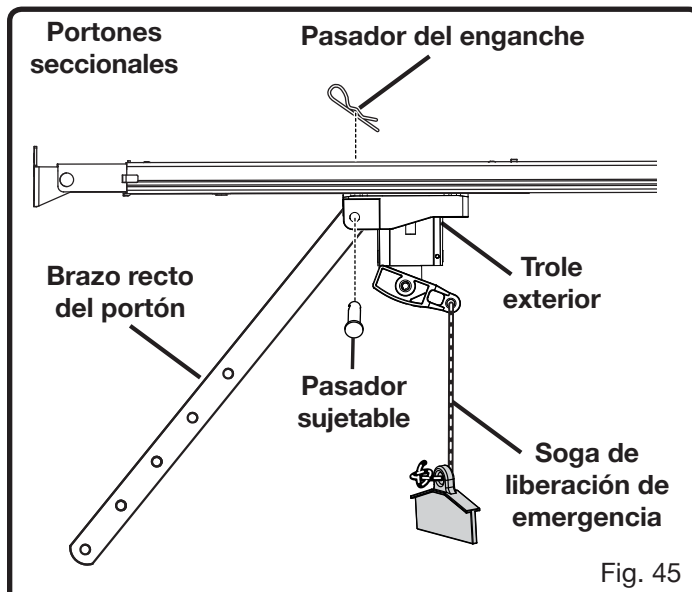


Fig. 45

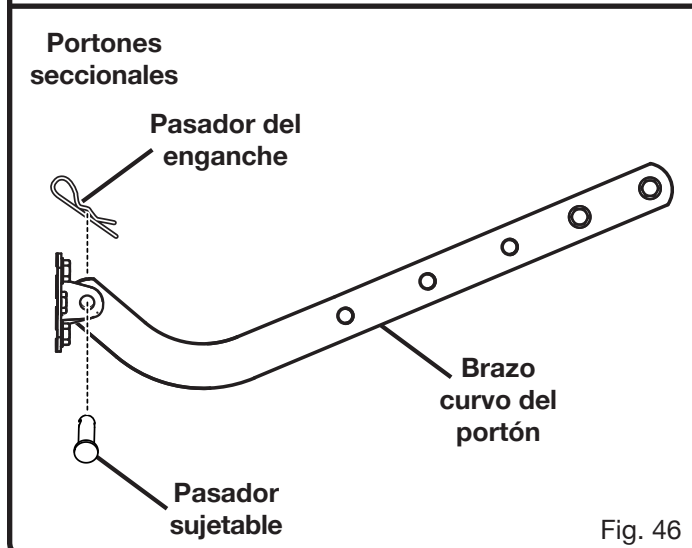


Fig. 46

- Asegure el brazo recto del portón a la parte trasera del trole exterior utilizando un pasador sujetable mediano y un pasador de enganche.

- Asegure el brazo curvo del portón al soporte del portón utilizando un pasador sujetable pequeño y un pasador de enganche.

- Junte los brazos curvado y recto. Elija dos conjuntos de orificios alineados e instale los pernos y las tuercas. Ajuste los pernos y las tuercas con un casquillo de 1/2 pulg.

NOTA: Para una mayor rigidez, instale sujetadores en los orificios que estén lo más lejos posible.

NOTA: Si los orificios del brazo no están alineados, retire el brazo recto del portón y vuelva a colocarlo en posición inversa.

- Si el brazo recto del portón cuelga demasiado bajo después del armado, puede acortar la longitud del brazo cortando hasta 152 mm (6 pulg.).

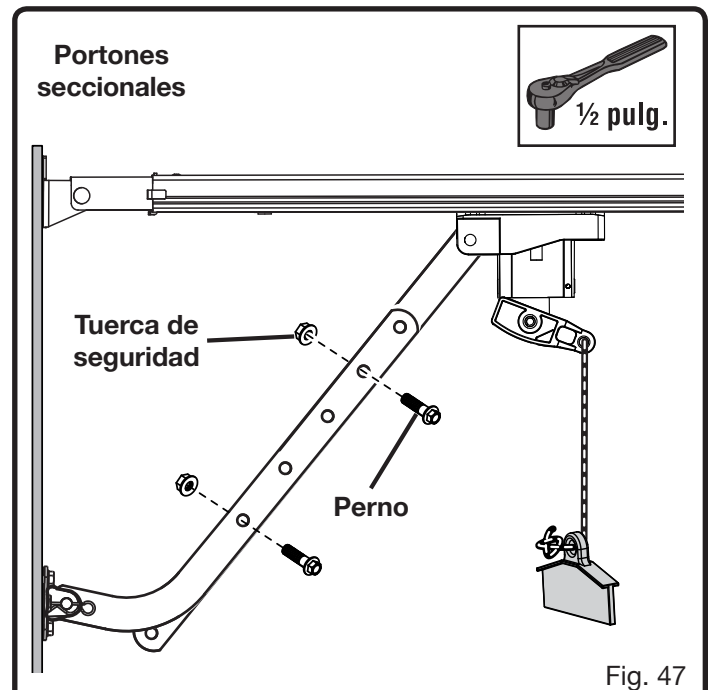


Fig. 47

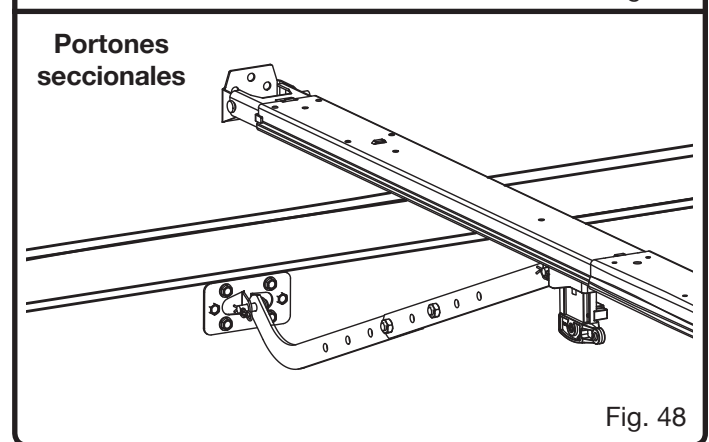


Fig. 48

INSTALACIÓN

Para conectar portones de un solo panel:

- Baje el portón del garaje completamente.
- Tire de la soga de liberación de emergencia hacia abajo y deslice el trole exterior hacia el portón del garaje.
- Coloque los brazos curvado y recto juntos y alinee los orificios.
- Elija dos conjuntos de orificios alineados e instale los pernos y las tuercas. Ajuste los pernos y las tuercas con un casquillo de 1/2 pulg.

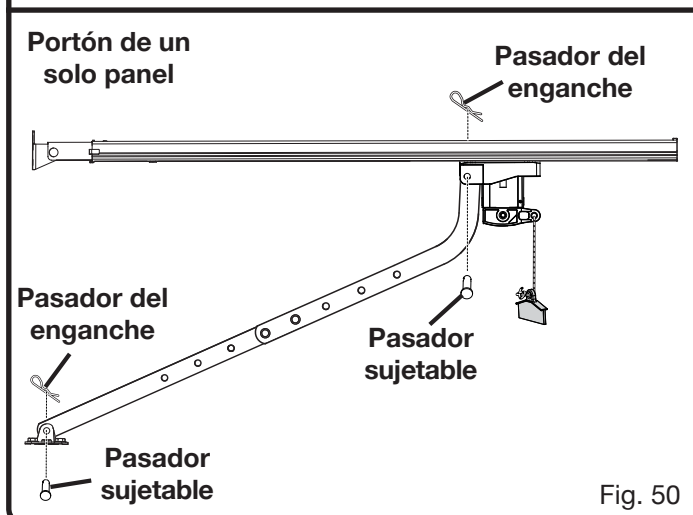
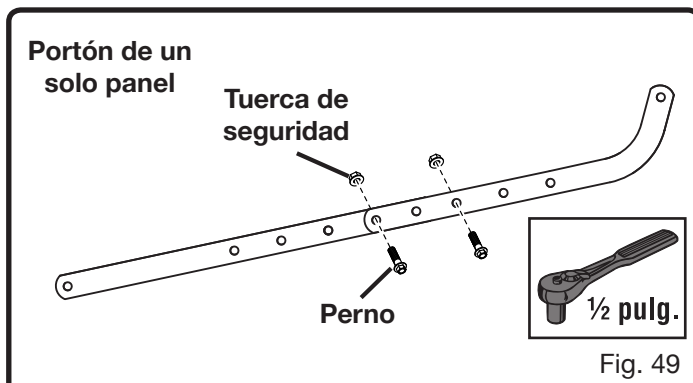
NOTA: Para una mayor rigidez, instale sujetadores en los orificios que estén lo más lejos posible.

- Asegure el brazo recto del portón al soporte del portón utilizando un pasador sujetable pequeño y un pasador de enganche.
- Asegure el brazo curvo del portón a la parte trasera del trole exterior utilizando un pasador sujetable mediano y un pasador de enganche.

INSTALACIÓN DE LOS SENSORES DE SEGURIDAD

Vea las figuras 51 a 56.

- Localice las siguientes piezas:
 - Sensor de seguridad (2)
 - Grapas aisladas (approx. 16)
 - Tuerca de mariposa (2)
 - Soporte de sensor (2)
 - Clavo (2 pulg.) [2]
 - Tirafondo (7/16 pulg. x 1-1/2 pulg.) [2]



⚠ ADVERTENCIA:

NO haga funcionar el sistema de apertura para portón de garaje a menos que los sensores de seguridad estén instalados y funcionen correctamente. Si no instala los sensores de seguridad ni garantiza que funcionen correctamente puede provocar lesiones personales graves o la muerte.

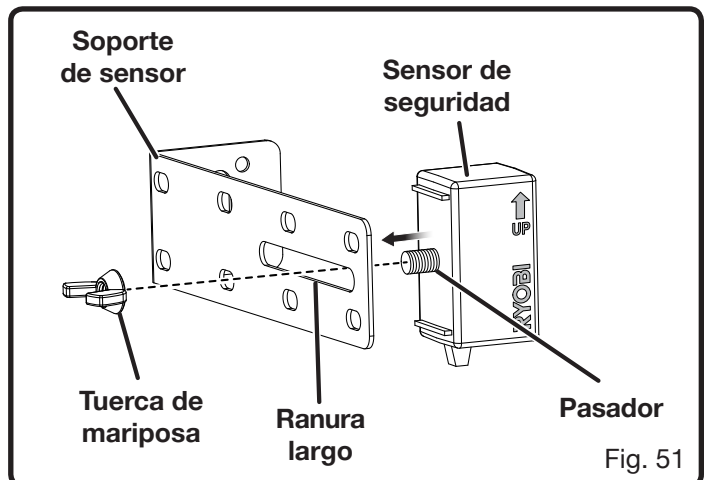
⚠ ADVERTENCIA:

La parte superior del sensor debe estar entre 101 y 152 milímetros (cuatro y seis pulgadas) por encima del suelo del garaje. Esto garantizará que el portón se invierta en caso que un niño, una mascota o un objeto pequeño avance hacia el portón cuando baja. La colocación incorrecta de los sensores de seguridad puede provocar lesiones personales graves o la muerte.

⚠ ADVERTENCIA:

La efectividad de los sensores de seguridad incluidos en este sistema está directamente relacionada con la colocación e instalación de los sensores. La colocación o instalación incorrectas pueden evitar que los sensores funcionen como se espera y provoquen lesiones personales graves o la muerte.

- Arme los sensores de seguridad insertando el perno del sensor a través de la ranura larga del soporte y fijando con una tuerca de mariposa.
- Baje el portón del garaje completamente.
- Coloque ambos sensores en cada lado del interior del portón del garaje y apunte las lentes una hacia la otra. La flecha debe apuntar hacia arriba.



INSTALACIÓN

NOTA: La parte superior del sensor debe estar entre 101 y 152 milímetros (cuatro y seis pulgadas) por encima del suelo del garaje.

NOTA: El sensor receptor tiene un LED verde. Asegúrese de que la lente del sensor no quede expuesta a la luz directa del sol.

- Marque la posición del orificio en el soporte.
 - Fije los soportes en su lugar con clavos o taladre orificios piloto de 4,8 mm (3/16 pulg.) y asegure con tirafondos. Ajuste los tornillos con un casquillo de 7/16 pulg.
- NOTA:** Utilice tirafondos y anclajes de concreto (no incluidos) cuando instale el soporte en concreto, ladrillo u otro tipo de mampostería.

⚠ ADVERTENCIA:

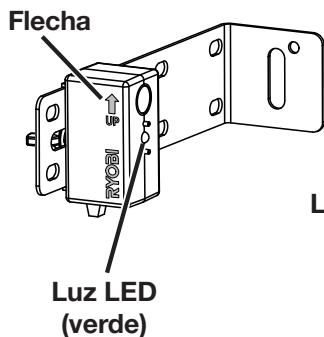
Para evitar riesgo de muerte, descarga eléctrica o lesiones personales graves, asegúrese de que el sistema de apertura para portón de garaje esté desconectado y de haber extraído el paquete de baterías antes de cablear los sensores.

⚠ ADVERTENCIA:

Solo conecte los sensores con cables de bajo voltaje incluido para evitar el riesgo de descarga eléctrica o lesiones personales graves.

- Pase los cables desde los sensores hacia los terminales de los cables del sensor del portón. Conecte los cables en la pared y el techo con las grapas aisladas. Fije las grapas a la pared y el techo con un martillo.
- Usando un pelador de cable, pele 12,7 mm (1/2 pulg.) de aislamiento desde los extremos de cada cable.
- Para instalar o extraer los cables desde un terminal de cables, presione la lengüeta junto al terminal.
- Doble los cables a rayas de ambos sensores al mismo tiempo e insérteles dentro del terminal del sensor del portón derecho marcado con la G.

Sensor de seguridad (receptora)



Sensor de seguridad (transmisor)

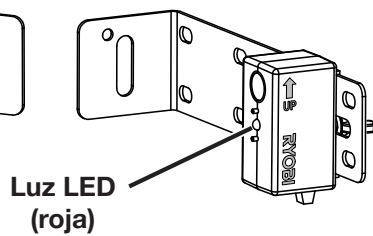


Fig. 52

Sensor de seguridad

Tirafondo

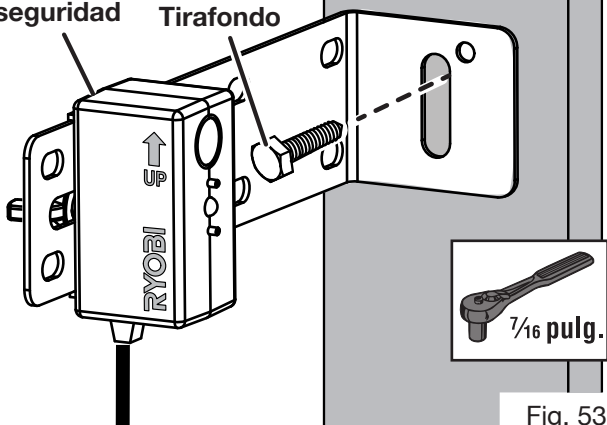


Fig. 53

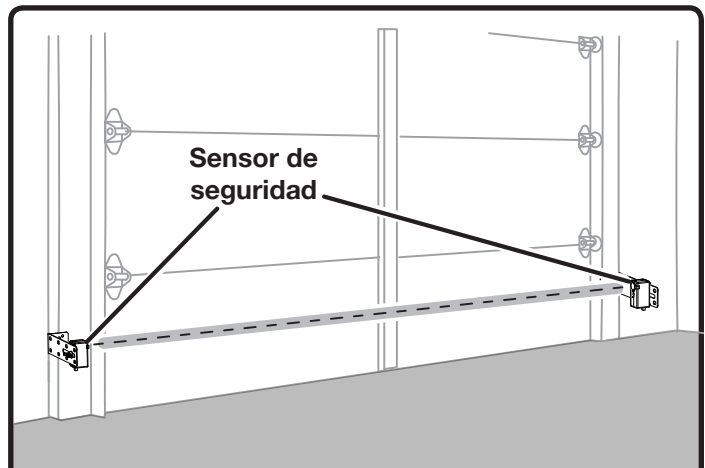


Fig. 54

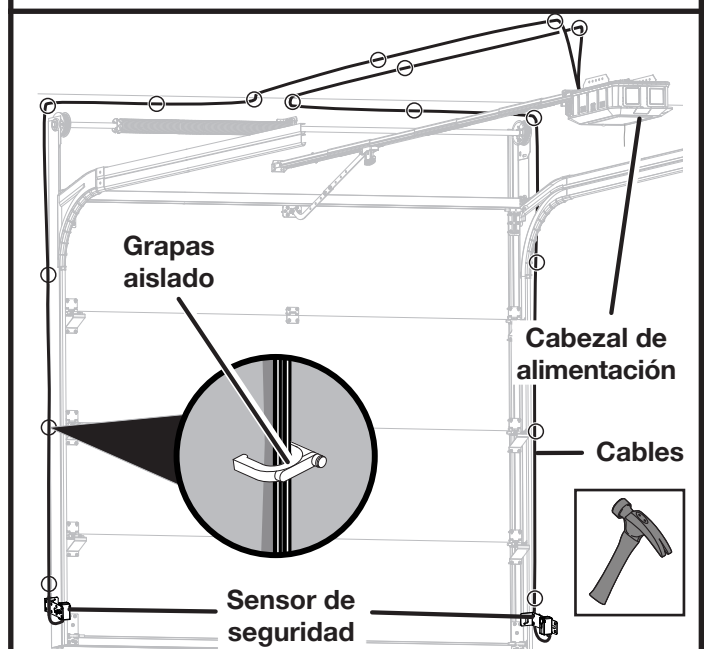
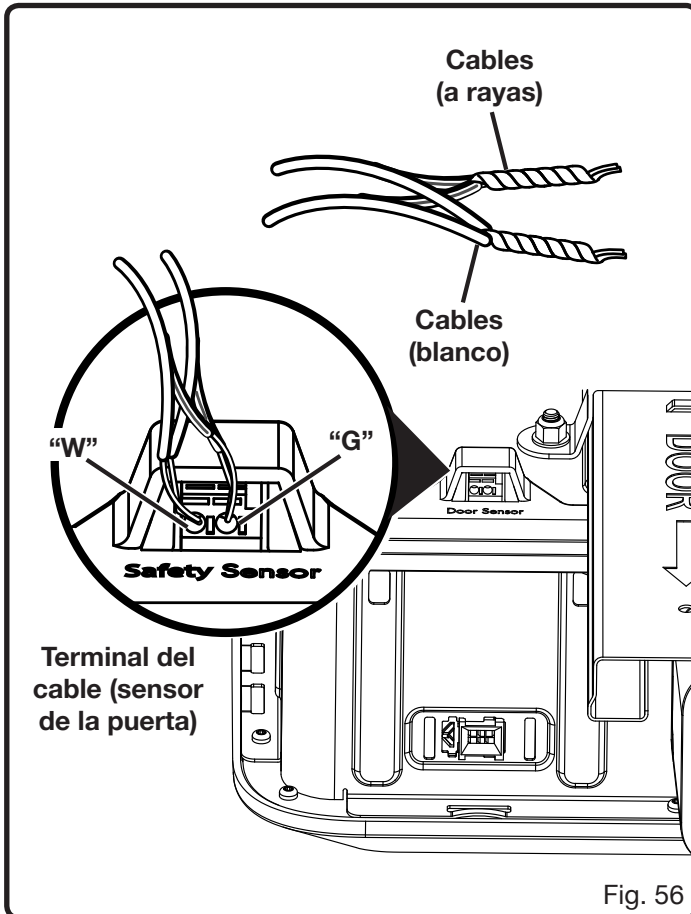


Fig. 55

INSTALACIÓN

- Doble los cables lisos de ambos sensores al mismo tiempo e insértelos dentro del terminal del sensor del portón izquierdo marcado con la W.
- Para ver las instrucciones de alineación, consulte **Alineación de los sensores de seguridad** en esta misma sección.



INSTALACIÓN DEL PANEL INTERIOR

Vea las figuras 57 a 61.

- Localice las siguientes piezas:
 - Panel interno
 - Cable de bajo voltaje
 - Grapas aisladas (approx. 14)
 - Etiqueta de atascamiento
 - Tornillos (1 pulg., cabeza phillips) [2]
 - Anclaje de panel de yeso (2)

⚠ ADVERTENCIA:

No utilice el sistema de apertura para portón de garaje si los paneles interiores o los controles remotos no encienden y detenga el motor. Un sistema de apertura que no puede controlarse con un panel o un control remoto es peligroso, y puede provocar lesiones personales graves o la muerte, de manera que debe ser reparado.

⚠ ADVERTENCIA:

Asegúrese de que el panel esté montado lo suficientemente alto como para evitar la activación no autorizada del sistema de apertura para portón de garaje. Debe colocarse al menos a 1,5 metros (5 pies) por encima del piso de manera que sea inaccesible para los niños. La activación no autorizada del sistema de apertura puede provocar la muerte o lesiones personales graves.

⚠ ADVERTENCIA:

No arranque ni detenga el sistema de apertura para portón de garaje si hay una persona o un objeto en el trayecto del portón, si el portón no está correctamente balanceado o si no puede ver el trayecto del portón. El incumplimiento de estas instrucciones podría causar lesiones personales de gravedad.

⚠ ADVERTENCIA:

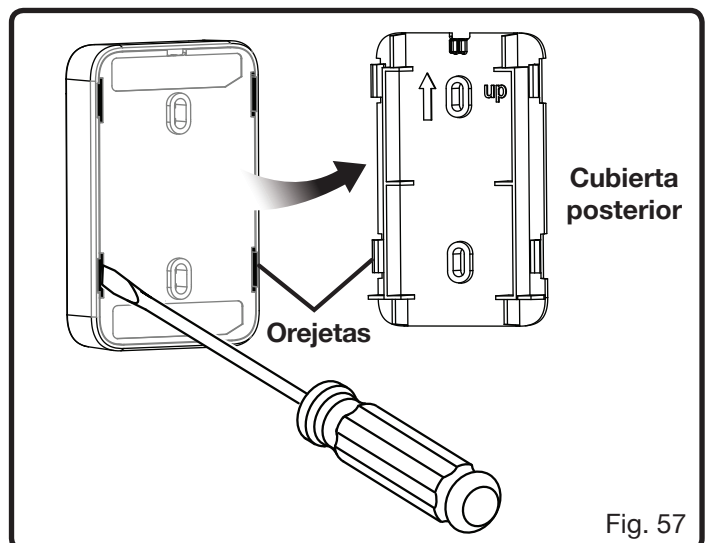
Para evitar riesgo de muerte, descarga eléctrica o lesiones personales graves, asegúrese de que el sistema de apertura para portón de garaje esté desconectado y de haber extraído el paquete de baterías antes de cablear el panel.

⚠ ADVERTENCIA:

Solo conecte el panel con cables de bajo voltaje incluido para evitar el riesgo de descarga eléctrica o lesiones personales graves.

- Busque la ubicación deseada en el interior y a la vista del portón del garaje.

NOTA: El panel debe colocarse al menos a 1,5 metros (5 pies) por encima del piso de manera que sea inaccesible para los niños.

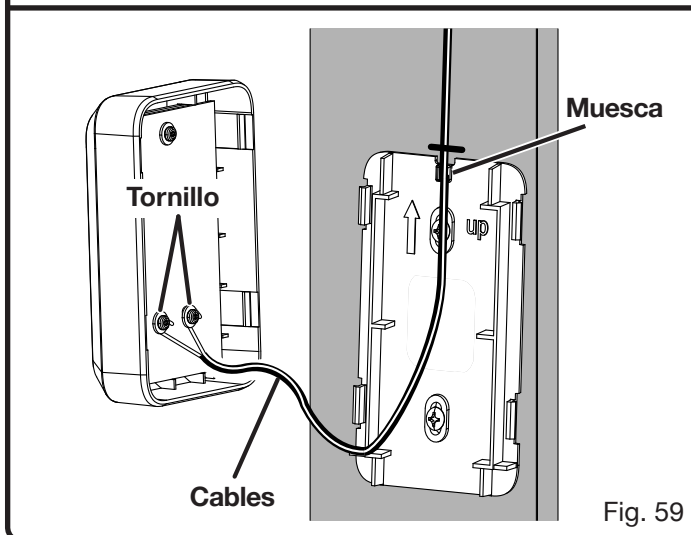
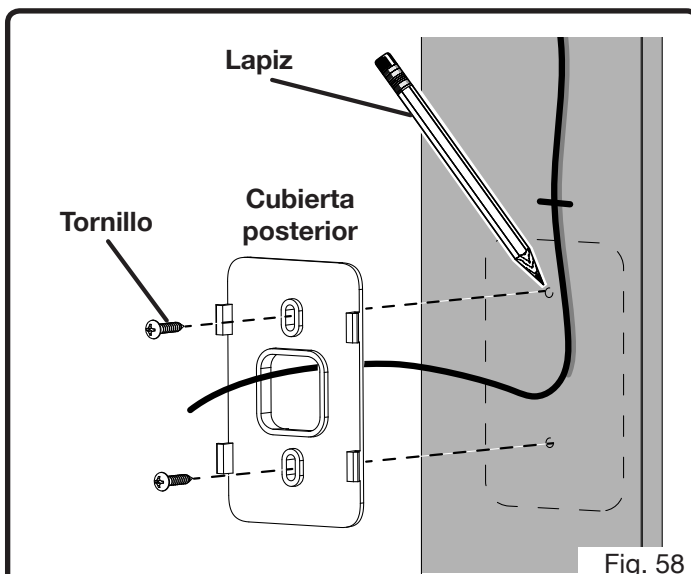


INSTALACIÓN

- Inserte un destornillador de cabeza plana dentro de las lengüetas del panel interior y extraiga la cubierta posterior.
- Sostenga la cubierta posterior contra la pared. Use un lápiz y un nivel para marcar la colocación del orificio del tornillo.
- Monte la cubierta posterior a la pared con tornillos. Instale los tornillos con un destornillador Phillips.

NOTA: Utilice tornillos y anclajes de panel de yeso cuando instale el panel en paneles de yeso.

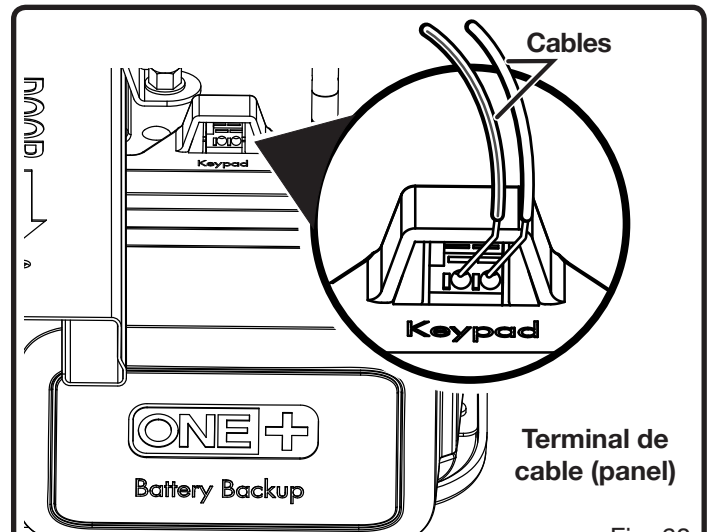
- Encastre los cables incluido con el panel interior en la muesca de la cubierta posterior.
- Conecte el panel a la cubierta posterior. Tenga cuidado de no dañar los cables.
- Pase los cables desde los terminales hasta la ubicación deseada. Conecte los cables en la pared y el techo con las grapas aisladas.
- Inserte el cable con bandas rojas desde el panel dentro del terminal del panel izquierdo marcado con la letra R.
- Inserte el cable blanco dentro del terminal derecho marcado con la letra W.



⚠ ADVERTENCIA:

La etiqueta de advertencia de atascamiento contiene información de seguridad importante. Instale la etiqueta de advertencia de atascamiento junto al panel interior en una ubicación visible. Utilice grapas aisladas u otro medio mecánico si la etiqueta no se adhiere a la pared.

- Para obtener detalles sobre el uso del panel interior, consulte **Uso del panel interior** en la sección *Operaciones*.



INSTALACIÓN

INSTALACIÓN DEL PANEL EXTERIOR

Veá las figuras 62 a 64.

- Localice las siguientes piezas:
 - Panel exterior
 - Tornillos (1-1/2 pulg., cabeza phillips) [2]

⚠ ADVERTENCIA:

No utilice el sistema de apertura para portón de garaje si los paneles interiores o los controles remotos no encienden y detenga el motor. Un sistema de apertura que no puede controlarse con un panel o un control remoto es peligroso, y puede provocar lesiones personales graves o la muerte, de manera que debe ser reparado.

⚠ ADVERTENCIA:

Asegúrese de que el panel esté montado lo suficientemente alto como para evitar la activación no autorizada del sistema de apertura para portón de garaje. Debe colocarse al menos a 1,5 metros (5 pies) por encima del piso de manera que sea inaccesible para los niños. La activación no autorizada del sistema de apertura puede provocar la muerte o lesiones personales graves.

⚠ ADVERTENCIA:

No arranque ni detenga el sistema de apertura para portón de garaje si hay una persona o un objeto en el trayecto del portón, si el portón no está correctamente balanceado o si no puede ver el trayecto del portón. El incumplimiento de estas instrucciones podría causar lesiones personales de gravedad.

NOTA: Programe el panel exterior y asegúrese que podrá operar el abridor de puerta de cochera desde la ubicación deseada antes de instalarlo. Consulte **Programación del panel exterior** en la sección *Operaciones*.

- Busque la ubicación deseada en el exterior y a la vista del portón del garaje.

NOTA: El panel debe colocarse al menos a 1,5 metros (5 pies) por encima del piso de manera que sea inaccesible para los niños.

- Use un lápiz para marcar la colocación del orificio del tornillo e instale el tornillo superior.
- Coloque la parte ancha del orificio de la llave sobre la cabeza del tornillo superior.
- Deslice el panel hacia abajo hasta que el tornillo superior quede dentro de la parte angosta del orificio de la llave.
- Retire la tapa de las baterías y la batería de 9 V.
- Use un nivel para asegurarse de que el panel esté en posición vertical, y luego instale el tornillo inferior dentro del orificio del tornillo.
- Instale la batería de 9 V.

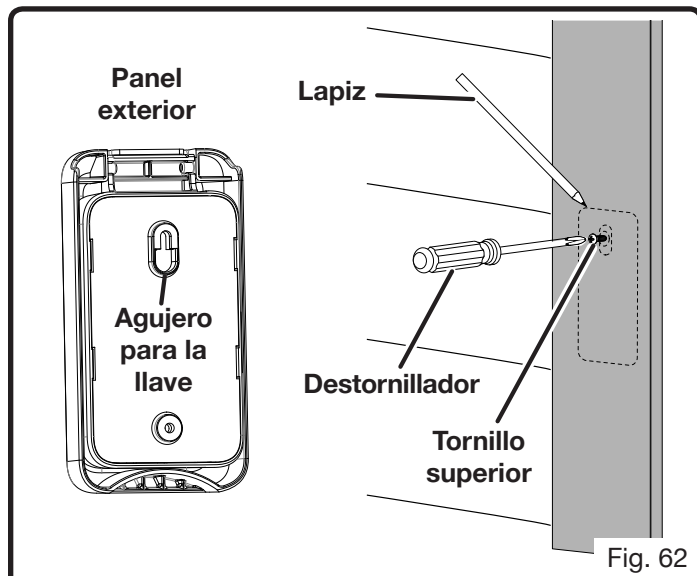


Fig. 62

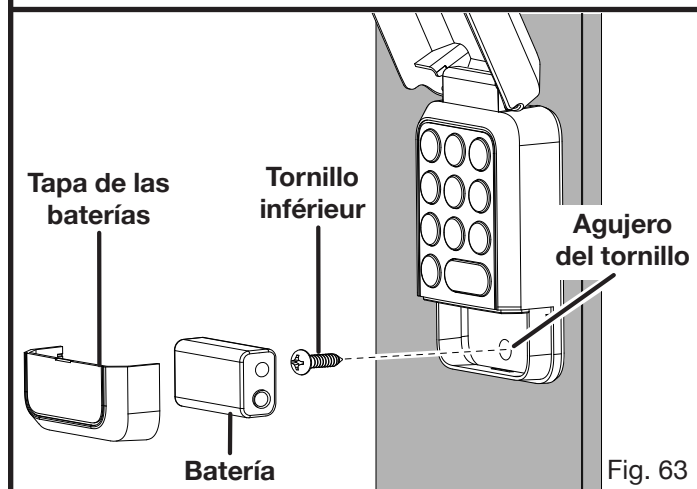


Fig. 63



Fig. 64

- Vuelva a colocar la tapa de las baterías.
- Para ver las instrucciones de programación, consulte **Programación del panel exterior** en la sección *Operaciones*.

INSTALACIÓN

ALINEACIÓN DE SENSORES DE SEGURIDAD

Vea la figura 65 y 66.

⚠️ ADVERTENCIA:

NO haga funcionar el sistema de apertura para portón de garaje a menos que los sensores de seguridad estén instalados y funcionen correctamente. Si no instala los sensores de seguridad ni garantiza que funcionen correctamente puede provocar lesiones personales graves o la muerte.

⚠️ ADVERTENCIA:

La efectividad de los sensores de seguridad incluidos en este sistema está directamente relacionada con la colocación e instalación de los sensores. La colocación o instalación incorrectas pueden evitar que los sensores funcionen como se espera y provoquen lesiones personales graves o la muerte.

AVISO:

El portón de garaje no se cerrará a menos que los sensores de seguridad estén instalados, cableados y alineados correctamente.

AVISO:

Esta tarea requiere que el sistema de apertura para portón de garaje se conecte a una fuente de alimentación.

- Instale y cablee los sensores de seguridad como se describió anteriormente en este manual.
- Conecte el sistema de apertura para portón de garaje a un suministro de alimentación CA.

NOTA: Asegúrese de que el suministro de corriente sea sólo el doméstico normal, de 120 V, corr. alt, 60 Hz.

- Si están correctamente instalados, las luces LED de ambos sensores brillan constantemente. Si uno o ambos LED no se encienden, desconecte el sistema de apertura para portón de garaje y asegúrese de que los sensores estén cableados correctamente. Si el problema continúa, consulte el cuadro **Comentarios de diagnóstico del sensor de seguridad** más adelante en este manual.
- Si el LED se enciende en ambos sensores en forma continua, entonces están alineados y no es necesario ningún ajuste.
- Si la luz LED está ENCENDIDA (ON) y la luz LED verde está titilando, esto indica que podría haber algo interfiriendo con el sensor receptor. La causa más común de interferencia es la exposición directa a la luz del sol. De ser necesario, remueva los cierres que aseguran al sensor y muévalos lejos de la apertura de la puerta de cochera para evitar la luz del sol.
- Si la luz LED roja está encendida, pero la luz LED verde está apagada, es posible que deba alinear los sensores.

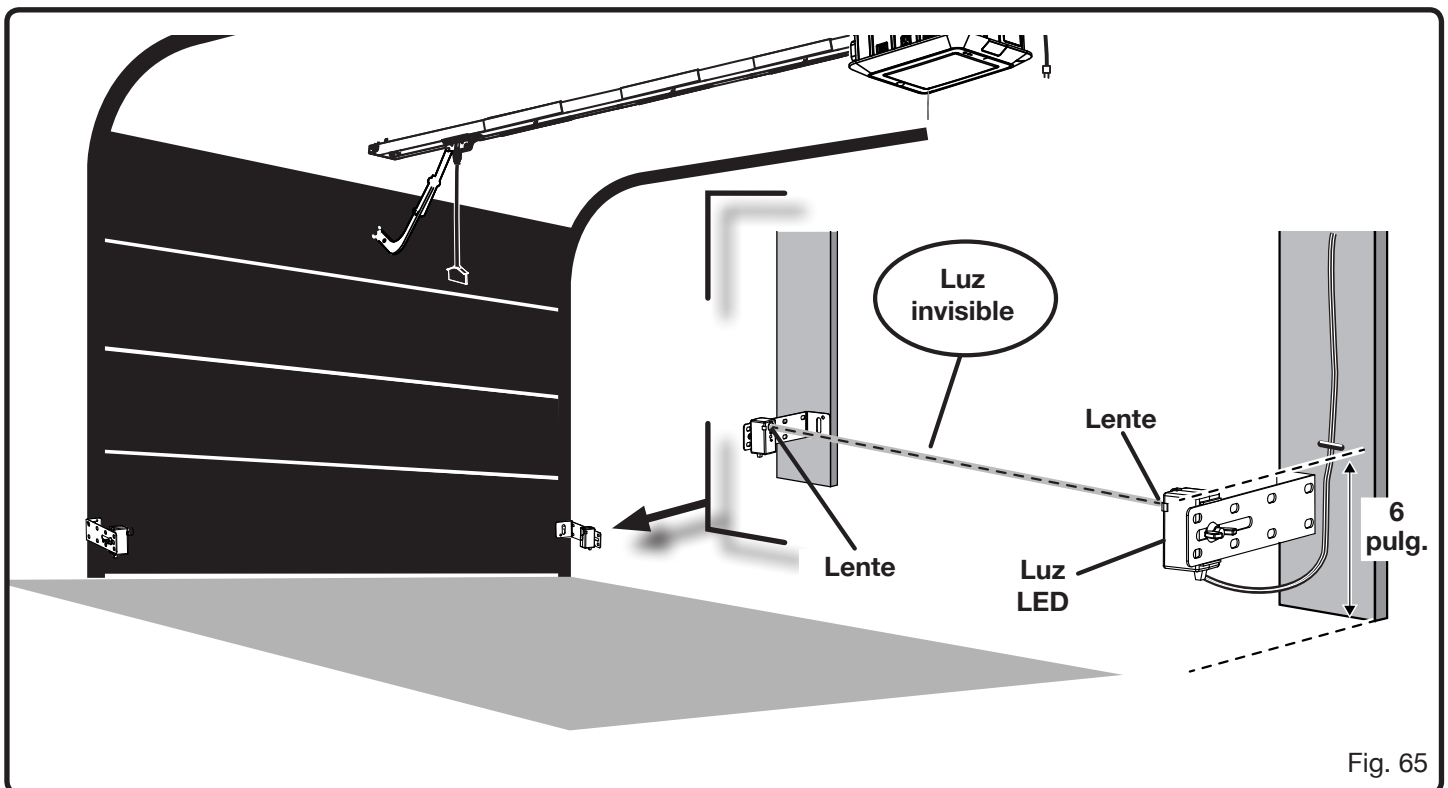


Fig. 65

INSTALACIÓN

- **Para alinear los sensores de seguridad:** Afloje pero no extraiga los sujetadores que fijan los sensores en su lugar y ajuste la posición de los sensores hasta que las lentes del transmisor y del receptor apunten directamente una a la otra.
- Una vez que haya alineado los sensores, vuelva a ajustar los sujetadores.
- Cuando la lente del sensor esté en la posición correcta, el receptor captará el haz de luz invisible emitido por el transmisor y los LED brillarán constantemente.

NOTA: Si un objeto cruza por el trayecto del haz, el portón del garaje abierto no se cerrará y el portón del garaje cerrándose se detendrá y volverá a la posición de completamente abierto.

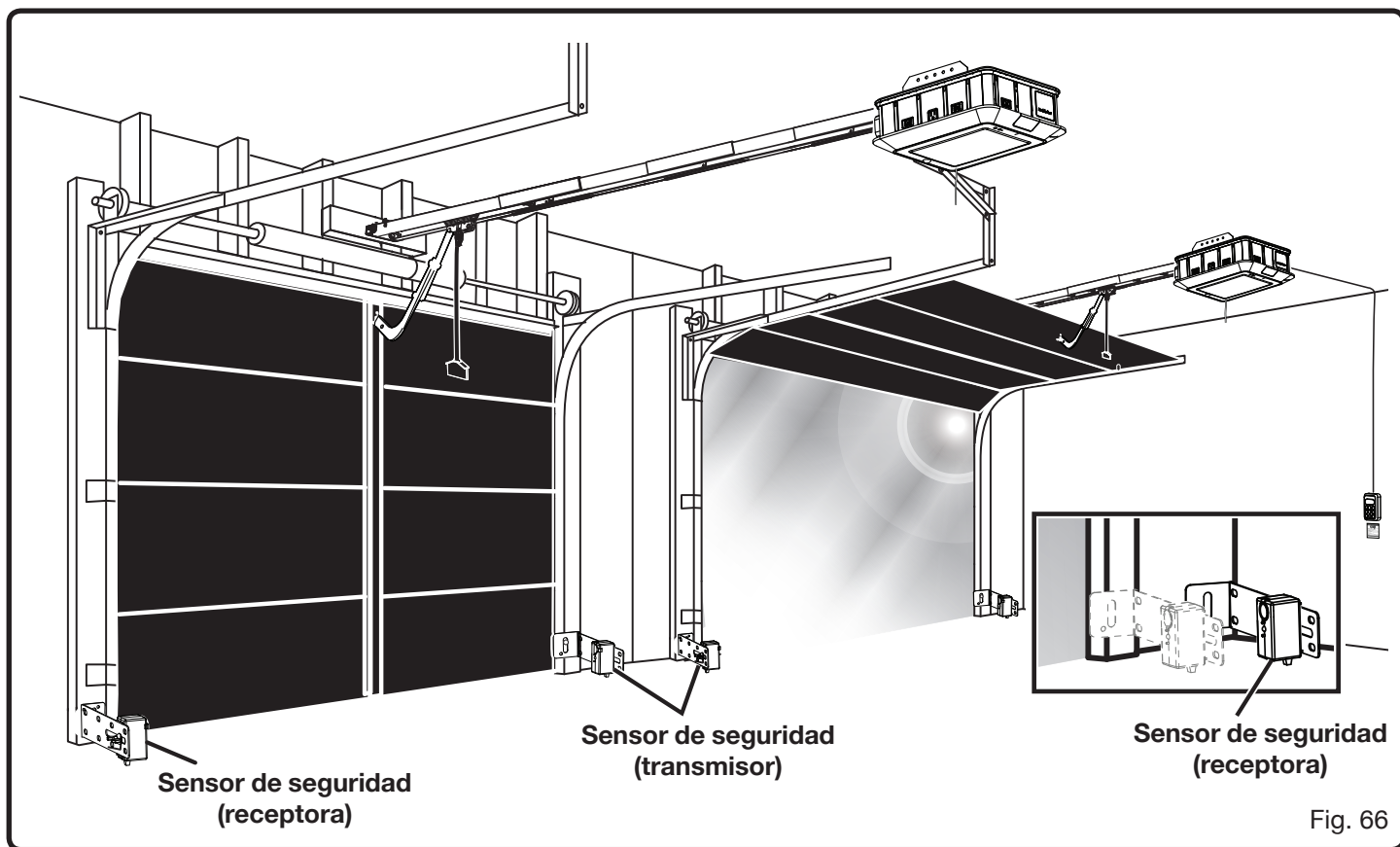
Alineamiento de los sensores de seguridad para múltiples puertas:

Al instalarse múltiples abridores de puertas de cochera, se deberá tomar mayor cuidado para prevenir el desalineamiento y cruce de señales entre cada set de sensores.

- En donde sea posible, instale los sensores de seguridad transmisores en una superficie adyacente con orientación opuesta y dirigidos hacia sus respectivos receptores.
- Conecte el abridor de cochera a una fuente de energía CA.

NOTA: Asegúrese que la fuente de energía sea de voltaje normal para el hogar, 120 voltios, CA solamente, 60 Hz.

- Alinee cada set de sensores de la manera descrita previamente.



INSTALACIÓN

COMENTARIOS DE DIAGNÓSTICO DEL SENSOR DE SEGURIDAD

FUNCIONES DE LOS DIODOS			
DIODO LUMINISCENTE ROJO (TRANSMISOR)	DIODO LUMINISCENTE VERDE (RECEPTOR)	PROBLEMA	SOLUCIÓN
ENCENDIDO	ENCENDIDO	Ningún problema indicado	No se requiere ninguna acción
APAGADO	APAGADO	<p>El cabezal de alimentación está desenchufado o la batería está agotada</p> <p>Es posible que los cables del cabezal de alimentación estén dañados</p> <p>Los cables no están conectados</p> <p>Los cables están conectados al terminal incorrecto</p> <p>Uno o ambos sensores están defectuosos</p>	<p>Conecte al suministro de alimentación o cargue el paquete de baterías</p> <p>Reemplace los cables dañados y rotos</p> <p>Conecte los cables al cabezal de alimentación</p> <p>Conecte los cables al terminal correcto</p> <p>Comuníquese con atención al cliente para obtener ayuda</p>
APAGADO	ENCENDIDO	Uno o ambos sensores están defectuosos	Comuníquese con atención al cliente para obtener ayuda
ENCENDIDO	APAGADO	<p>Los sensores de seguridad no están alineados</p> <p>Los sensores de seguridad están obstruidos</p> <p>Uno o ambos sensores están defectuosos</p> <p>El sensor de seguridad (transmisor) no envía el haz</p>	<p>Alinee los sensores de seguridad</p> <p>Retire todos los objetos que se encuentren entre los sensores de seguridad</p> <p>Comuníquese con atención al cliente para obtener ayuda</p> <p>Comuníquese con atención al cliente para obtener ayuda</p>
ENCENDIDO	PARPADEAN	<p>El sensor de seguridad (receptor) está en la luz directa del sol</p> <p>Uno o ambos sensores están defectuosos</p>	<p>Cambie la posición del sensor de seguridad (receptor) o cambie la posición de ambos sensores. (Vea la figura 66.)</p> <p>Comuníquese con atención al cliente o con un centro de servicio autorizado para obtener ayuda</p>

INSTALACIÓN

CONFIGURACIÓN DE LOS LÍMITES DE RECORRIDO DEL PORTÓN

Vea las figuras 67 a 74.

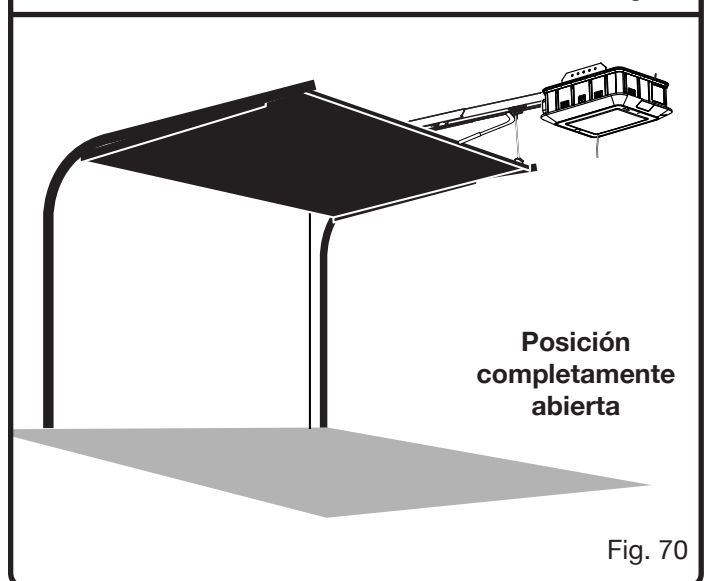
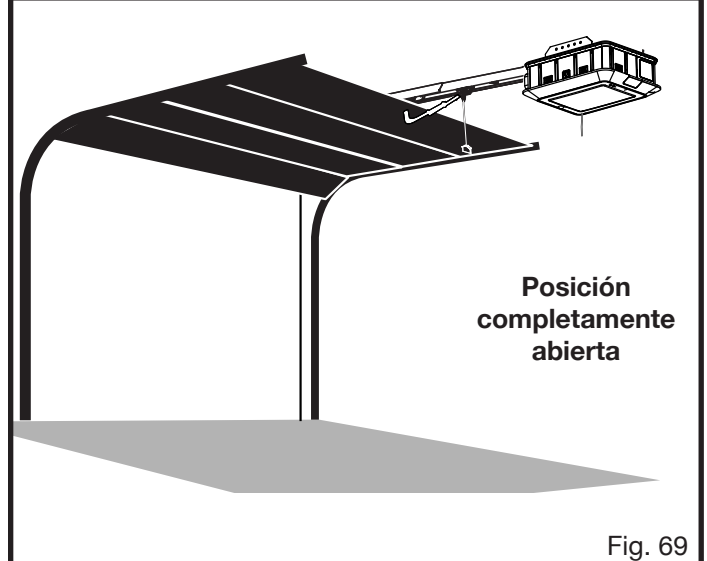
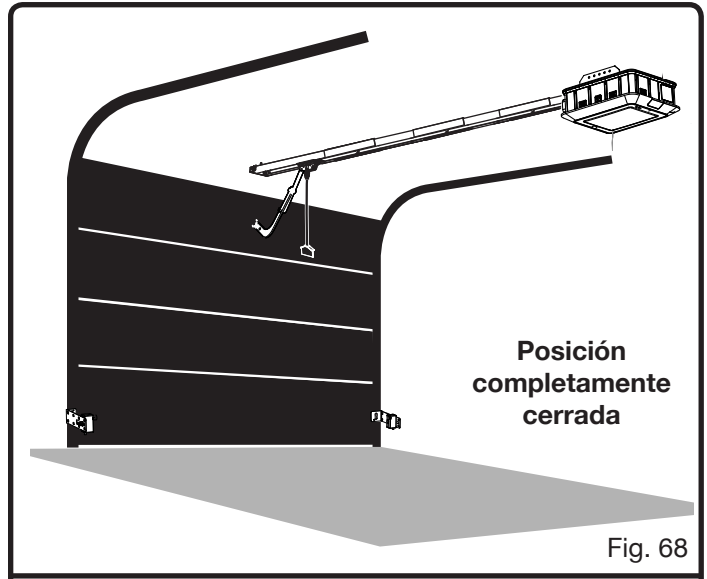
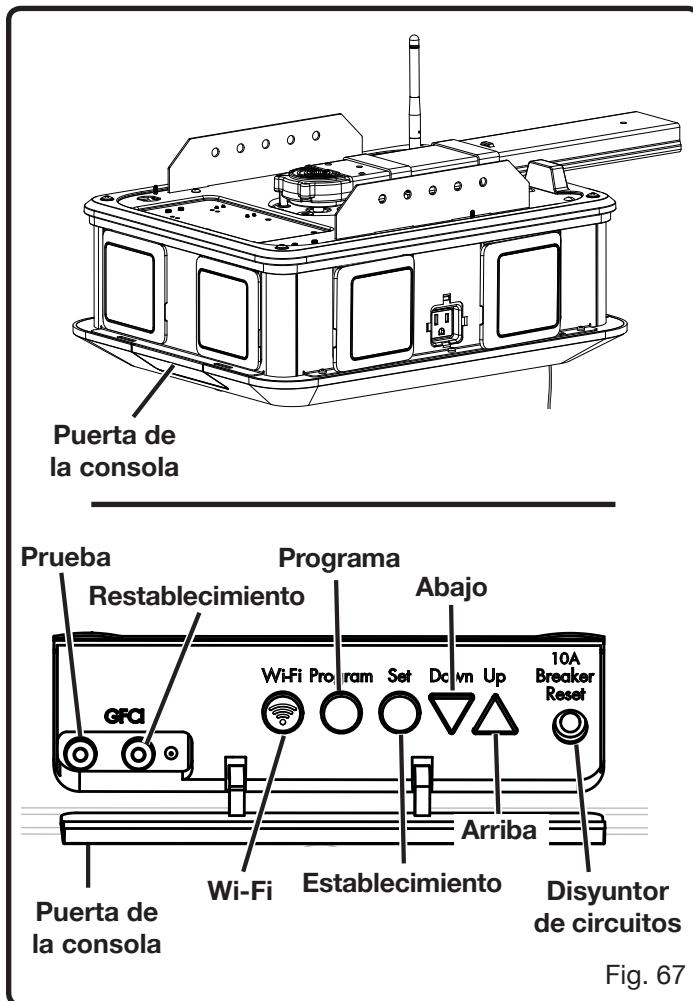
⚠ PELIGRO:

Asegúrese de que los sensores de seguridad estén instalados y funcionen correctamente. Sin los dispositivos de seguridad adecuados en su lugar, el portón del garaje podría matar o lesionar gravemente a alguien que se encuentre en su trayecto cuando se cierra.

AVISO:

Esta tarea requiere que el sistema de apertura para portón de garaje se conecte a una fuente de alimentación.

La consola del sistema de apertura para portón de garaje facilita el establecimiento de las posiciones abierta y cerrada del portón. El sistema de apertura sentirá automáticamente el peso del portón y ofrecerá la fuerza necesaria para abrirlo y cerrarlo.



INSTALACIÓN

Cuando el portón del garaje esté completamente cerrado, no quedará espacio entre el portón y el piso del garaje. Cuando el portón esté completamente abierto, debe proporcionar espacio suficiente para que los vehículos pasen debajo de él libremente. Tenga cuidado cuando establezca la posición abierta para portones de garaje de un solo panel. Si un portón de un solo panel se abre tanto como para comenzar a inclinarse, puede rebotar y sacudirse en exceso a medida que se mueve. Consulte la figura 71.

AVISO:

No abra ni cierre el portón del garaje con el panel interior ni los controles remotos hasta establecer los límites de recorrido correctamente. Si lo hace, puede provocar daños graves en el portón del garaje o en el sistema de apertura para portón de garaje.

- Conecte el sistema de apertura para portón de garaje a un suministro de alimentación CA.

NOTA: Asegúrese de que el suministro de corriente sea sólo el doméstico normal, de 120 V, corr. alt, 60 Hz.

Antes de establecer el límite de recorrido:

- Tire de la soga de liberación de emergencia hacia abajo y abra manualmente el portón del garaje hasta que el trole exterior enganche con el trole interior.

⚠ ADVERTENCIA:

Confirme que el trole interior esté en la orientación que aparece en la figura 72. La instalación inadecuada del trole interior puede hacer que el sistema de apertura para portón de garaje funcione al revés y, en consecuencia, provocar lesiones personales graves, o incluso la muerte, por el movimiento del portón.

Una vez que comience a establecer los límites de recorrido, tendrá dos minutos para completar cada paso. Si no completa un paso en un lapso de dos minutos, se borrará la información de límite de recorrido para las posiciones abierta y cerrada.

Para establecer el límite de recorrido para la posición abierta:

- Abra la puerta de la consola.
- Presione y mantenga presionado el botón **UP** (Arriba) durante tres segundos. Una vez que haya soltado el botón, comenzará a parpadear y seguirá haciéndolo hasta que se haya establecido el límite de recorrido.
- Presione y mantenga presionado el botón **UP** (Arriba) para mover el portón del garaje hasta la posición abierta.
- Para los ajustes finos, presione y mantenga presionados los botones **UP** (Arriba) o **DOWN** (Abajo).
- Una vez que la puerta esté en la posición abierta, presione el botón **SET** (Establecer) para almacenar el límite de recorrido. Una vez que se almacene el límite de recorrido, el botón **UP** (Arriba) dejará de parpadear y brillará continuamente.

NOTA: Si los sensores de seguridad están obstruidos durante el proceso, se borrará la información de límite de recorrido para las posiciones abierta y cerrada.

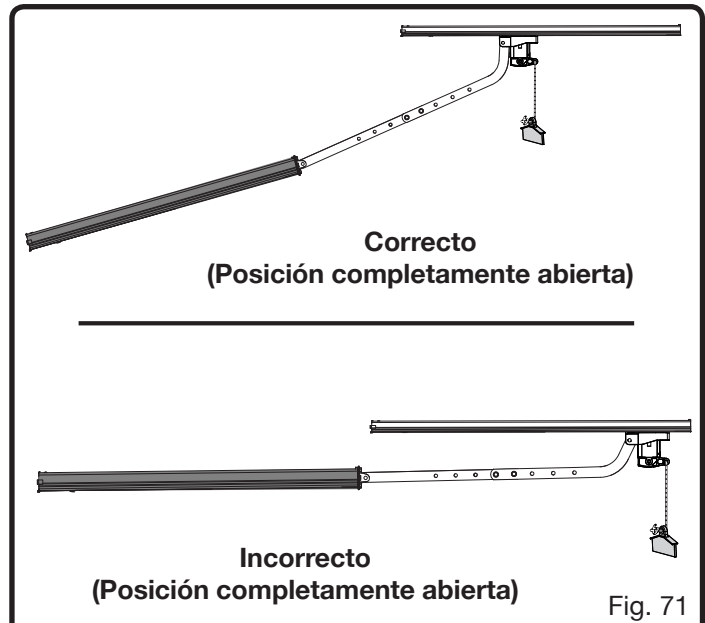


Fig. 71

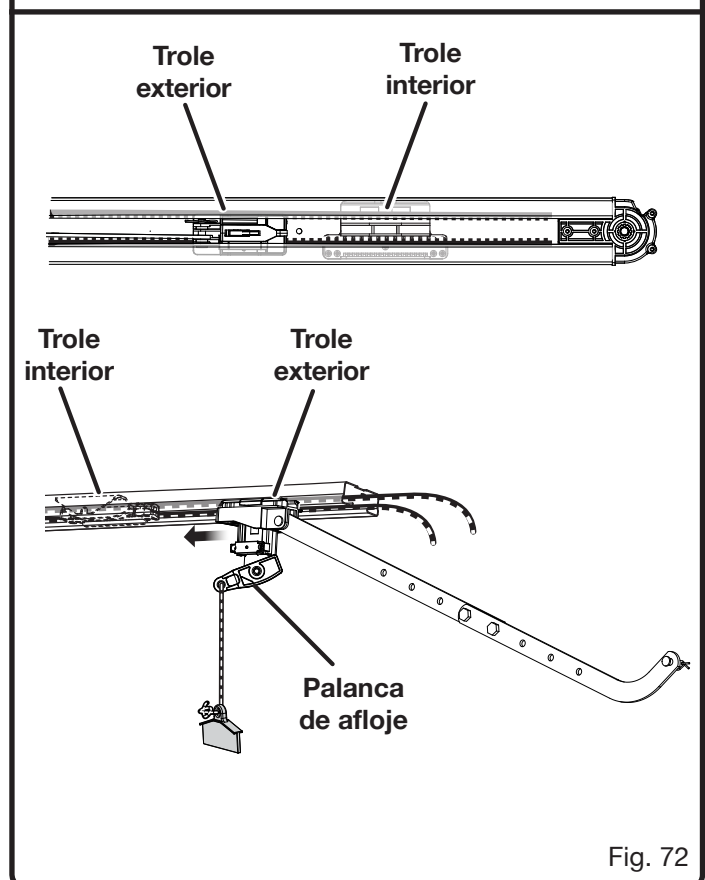


Fig. 72

INSTALACIÓN

⚠️ ADVERTENCIA:

Si no puede configurar el límite de recorrido para la posición abierta, no siga adelante e intente configurar el límite de recorrido para la posición cerrada. Si los límites de recorrido no se configuran y el portón no se mueve en la dirección deseada según se describe en esta sección del Manual del operador, no use el sistema de apertura para portón de garage y comuníquese con Atención al cliente o una persona cualificada para brindar asistencia. El uso de un sistema de apertura para portón de garage que no haga funcionar el portón en la dirección correcta puede dañar severamente a las personas que interfieran en el recorrido del portón e incluso provocarles la muerte.

Para establecer el límite de recorrido para la posición cerrada:

- Presione y mantenga presionado el botón **DOWN** (Abajo) durante tres segundos. Una vez que haya soltado el botón, comenzará a parpadear y seguirá haciéndolo hasta que se haya establecido el límite de recorrido.
- Presione y mantenga presionado el botón **DOWN** (Abajo) para mover el portón del garage hasta la posición cerrada.
- Para los ajustes finos, presione y mantenga presionados los botones **UP** (Arriba) o **DOWN** (Abajo).
- Una vez que la puerta esté en la posición cerrada, presione el botón **SET** (Establecer) para programar el límite de recorrido. Una vez que se establezca el límite de recorrido, el botón **DOWN** (Abajo) dejará de parpadear y brillará continuamente.

NOTA: Si los sensores de seguridad están obstruidos durante el proceso, se borrará la información de límite de recorrido para las posiciones abierta y cerrada.

Para probar los límites de recorrido:

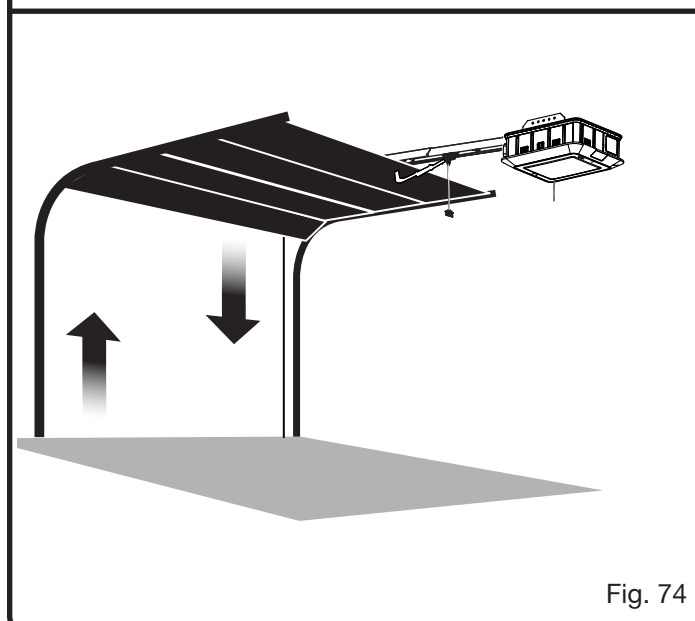
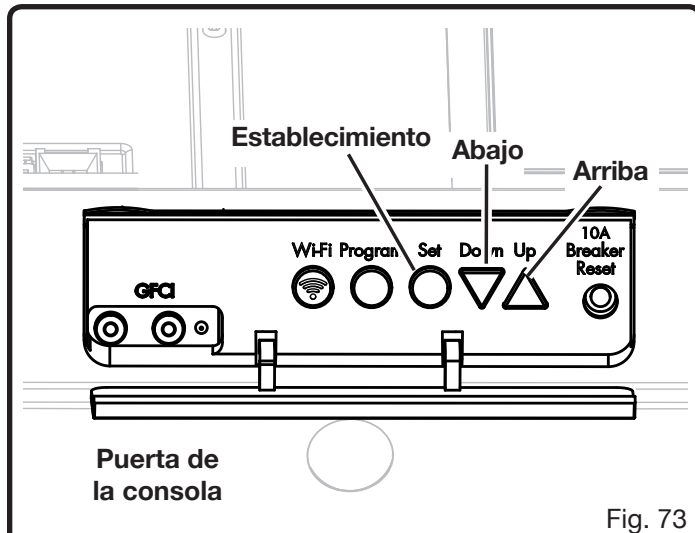
NOTA: El sistema de apertura para portón de garage no responderá a los controles remotos ni paneles hasta que se hayan probado los límites de recorrido.

- Presione y suelte el botón **UP** (Arriba) para asegurarse de que el portón se mueva hasta la posición abierta programada. El botón parpadeará a medida que se mueve el portón y luego brillará en forma permanente cuando el portón esté en la posición abierta.
- Presione y suelte el botón **DOWN** (Abajo) para asegurarse de que el portón se mueva hasta la posición abierta programada. El botón parpadeará a medida que se mueve el portón y luego brillará en forma permanente cuando el portón esté en la posición descendente.

NOTA: Una vez que la prueba esté completa, la luz de los botones **UP** (Arriba) y **DOWN** (Abajo) se apagará.

- Si los límites de recorrido se establecieron incorrectamente, pueden borrarse presionando y manteniendo presionado el botón **UP** (Arriba) durante tres segundos.

Si suena un zumbador mientras establece o prueba los límites de recorrido, es porque el sistema de apertura para portón de garage detectó un problema. La información de límite de recorrido para las posiciones abierta y cerrada se borrará y no se podrá restablecer hasta que se resuelva el problema. Para obtener detalles, consulte la sección *Corrección de problemas* más adelante en este manual.



PRUEBA DEL SISTEMA DE REVERSIÓN AUTOMÁTICA

Vea la figura 75.

⚠️ PELIGRO:

Pruebe el sistema de reversión automática después de la instalación, antes del primer uso, todos los meses y después de los ajustes realizados en los límites de recorrido del portón de garage. Si el portón entra en contacto con un objeto a una altura superior de 38,1 mm (1-1/2 pulg.) por encima del piso del garage (aproximadamente el tamaño de una tabla de 50,8 x 101,6 mm (2 x 4 pulg.) de forma plana), debe detenerse y revertirse hasta la posición completamente abierta. Si el sistema de reversión automática no funciona correctamente, un portón de garage cerrándose podría matar o lesionar gravemente a alguien que atraviese el recorrido.

INSTALACIÓN

⚠️ ADVERTENCIA:

NO haga funcionar el sistema de apertura para portón de garaje a menos que el sistema de reversión automática funcione correctamente. Cumplir con esta norma reducirá el riesgo de sufrir lesiones personales graves o la muerte.

AVISO:

Esta tarea requiere que el sistema de apertura para portón de garaje se conecte a una fuente de alimentación.

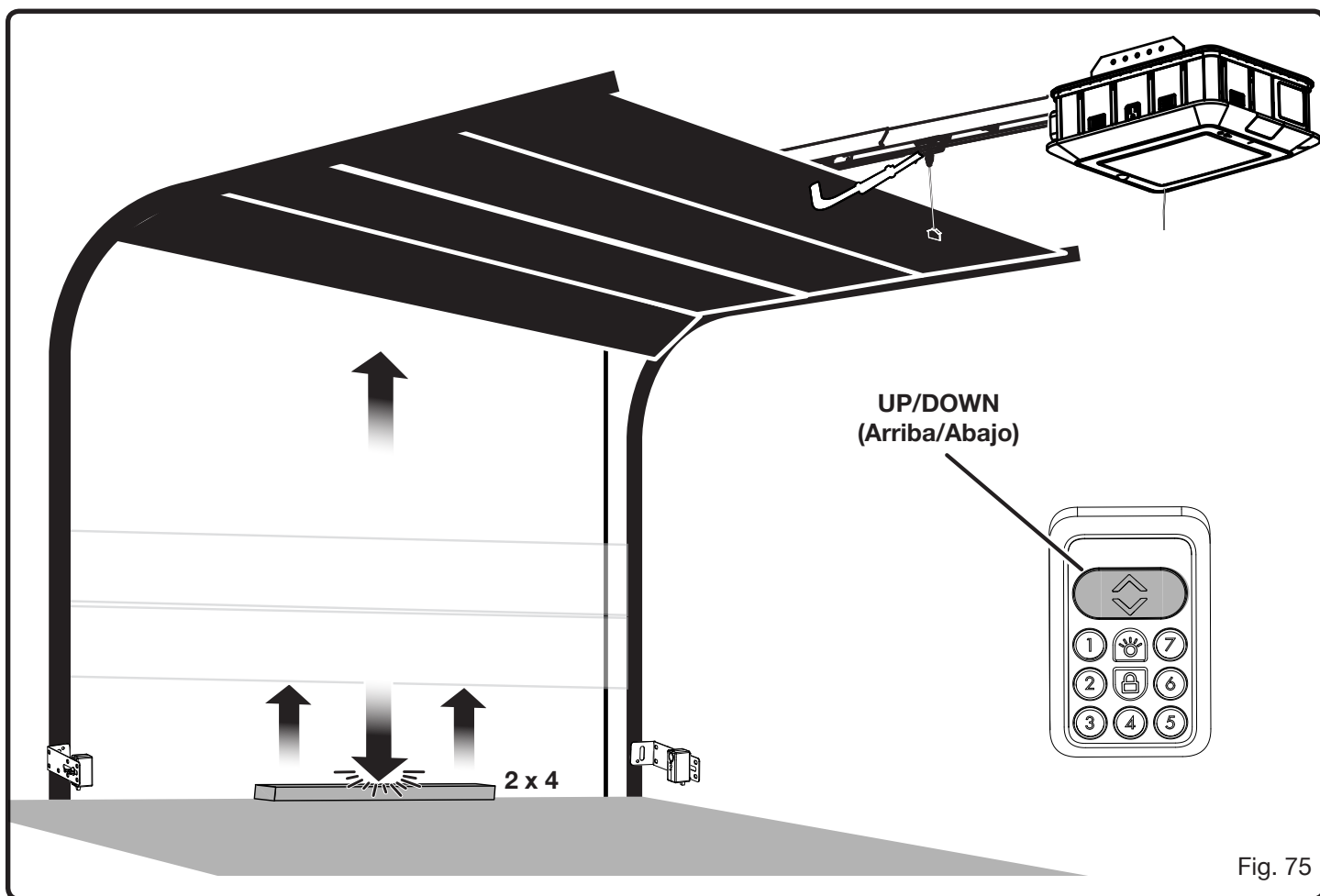
- Instale y cablee el panel interior como se describió anteriormente en la sección *Instalación*.
- Conecte el sistema de apertura para portón de garaje a un suministro de alimentación CA.

NOTA: Asegúrese de que el suministro de corriente sea sólo el doméstico normal, de 120 V, corr. alt, 60 Hz.

- Presione y suelte el botón **UP/DOWN** (Arriba/Abajo) del panel interior para elevar el portón del garaje.
- Coloque una plancha de 38,1 mm (1-1/2 pulg.) (aproximadamente el tamaño de una tabla de 50,8 x 101,6 mm (2 x 4 pulg.) de forma plana) en el piso del garaje debajo del portón.
- Presione y suelte el botón **UP/DOWN** (Arriba/Abajo) del panel interior para bajar el portón del garaje. Cuando el portón golpee la plancha, debe revertir su dirección inmediatamente.

NOTA: Una vez que el portón entre en contacto con la plancha, sonará un zumbador cinco veces y las luces LED del sistema de apertura para portón de garaje parpadearán cinco veces.

- Si el portón de garaje revierte su dirección después de entrar en contacto con la plancha, el sistema de reversión funciona correctamente y no es necesario realizar más ajustes.
- Si el portón del garaje se detiene antes de golpear la plancha o golpea la plancha y luego se detiene, aumente el límite de recorrido para la posición cerrada y repita la prueba.
- Si el sistema de reversión automática continúa fallando, comuníquese con atención al cliente o con una persona de servicio calificada para obtener ayuda.



INSTALACIÓN

Una vez completada la instalación y la configuración del sistema de apertura para portón de garage y los controles asociados, verifique todos los elementos de la siguiente lista de verificación para garantizar que el sistema mencionado funcione correctamente:

ADVERTENCIA:

Si no verifica los puntos indicados en la Lista de verificación de la instalación y verifica el correcto funcionamiento del sistema de apertura para portón de garage, podría ocasionar lesiones personales graves, o incluso la muerte.

LISTA DE VERIFICACIÓN DE LA INSTALACIÓN	✓
Use el panel interno para abrir y cerrar el portón del garage. Asegúrese de que el portón se mueva fluidamente de la posición completamente abierta a la posición completamente cerrada, y viceversa.	
Con el portón del garage levantado, coloque una tabla de 38,10 mm (1,5 pulg.) (aproximadamente una tabla plana de 2x4) en el portón del garage debajo del portón e intente cerrarlo sobre el objeto. Asegúrese de que el portón del garage revierta automáticamente la dirección al hacer contacto con el objeto.	
Con el portón del garage levantado, presione los botones hacia ARRIBA/ABAJO en el panel interior para cerrar el portón. Pase un objeto, como un palo de escoba, entre los sensores de seguridad para quebrar el haz de seguridad mientras baja el portón. Asegúrese de que el portón del garage se levante automáticamente cuando se quiebre el haz.	
Con el portón del garage bajo, tire de la manija de seguridad para desconectar el portón de la unidad de tracción. Asegúrese de que el portón pueda moverse libremente una vez que el trole exterior se desconecte del trole interior. Una vez confirmado esto, use el panel interior para encender la unidad de tracción y volver a conectar el portón a la unidad de tracción.	
Si el sistema de apertura de portón de garage se conectó a la función de la aplicación del Sistema del accesorio de apertura para portón de garage RYOBI, pruebe esta función antes del uso. Con el portón del garage levantado, intente bajar el portón con la aplicación para smartphones. Asegúrese de que la luz del sistema de apertura para portón de garage destelle y de que se escuche un pitido durante unos segundos antes de que el portón empiece a bajar.	

Si alguno de los elementos mencionados no hace lo descrito en el manual del operador, no use el sistema de apertura para portón de garage y comuníquese con Atención al cliente o una persona cualificada para brindar asistencia.

FUNCIONAMIENTO

INSTRUCCIONES DE SEGURIDAD IMPORTANTES

⚠️ ADVERTENCIA: **PARA REDUCIR EL RIESGO DE LESIONES GRAVES O LA MUERTE:**

1. LEA Y SIGA TODAS LAS INSTRUCCIONES.
2. Nunca permita que los niños hagan funcionar los controles del portón ni jueguen con ellos. Mantenga el control remoto lejos del alcance de los niños.
3. Siempre tenga a la vista el portón cuando se está moviendo y no permita que se acerquen personas u objetos hasta que esté completamente cerrado. NADIE DEBE ATRAVESAR EL TRAYECTO DE UN PORTÓN EN MOVIMIENTO.
4. NUNCA ATRAVIESE UN PORTÓN PARCIALMENTE ABIERTO.
5. Controle el sistema de apertura para portón mensualmente. El portón del garaje DEBE invertirse cuando entre en contacto con un objeto a una distancia de 38 mm (1-1/2 pulg.) (o una tabla de 50,8 x 101,6 mm (2 x 4 pulg.) de forma plana) del suelo. Después de ajustar la fuerza o el límite del recorrido, vuelva a probar el sistema de apertura para portón. Si no ajusta el sistema de apertura correctamente, puede provocar lesiones graves o la muerte.
6. Para los productos que requieren una liberación de emergencia, si es posible use la liberación de emergencia solo cuando el portón esté cerrado. Tenga cuidado cuando use esta liberación con el portón abierto. Los resortes débiles o rotos pueden hacer que el portón caiga rápidamente, provocando lesiones o la muerte.
7. MANTENGA EL PORTÓN DEL GARAJE CORRECTAMENTE BALANCEADO. Consulte el manual del propietario. Un portón incorrectamente balanceado puede provocar lesiones graves o la muerte. Una persona de servicio calificada debe realizar las reparaciones de cables, conjuntos de resortes y otros accesorios.
8. Este sistema de operación está equipado con una característica de operación sin supervisión. El portón se puede mover de forma inesperada. NADIE DEBE ATRAVESAR EL TRAYECTO DE UN PORTÓN EN MOVIMIENTO.

9. **GUARDE ESTAS INSTRUCCIONES.**

⚠️ ADVERTENCIA:

No permita que su familiarización con este producto le vuelva descuidado. Tenga presente que un descuido de un instante es suficiente para causar la muerte o lesiones serias.

⚠️ ADVERTENCIA:

No utilice ningún aditamento o accesorio no recomendado por el fabricante de esta herramienta. El empleo de aditamentos o accesorios no recomendados podría causar muerte o lesiones graves.

⚠️ ADVERTENCIA:

Riesgo de aprisionamiento. Sólo use paquetes de baterías de iones de litio (Li-ion) de RYOBI ONE+™ 18 V en este producto. Este producto tiene un sistema de respaldo de batería que puede operar el apertura para portón de garaje en el caso de una pérdida de potencia y sólo se debe utilizar con paquetes de baterías de iones de litio (Li-ion). El uso de cualquier otro tipo de baterías puede provocar que el sistema de respaldo de batería para que no funcione correctamente, lo que puede causar la muerte o lesiones graves.

⚠️ ADVERTENCIA:

Para evitar LESIONES PERSONALES o LA MUERTE, NO abra el portón del garaje si hubiera un incendio, a menos que deba escapar del mismo a través del portón. Llame al 911 o al departamento de bomberos. Si abre el portón del garaje, ingresará aire fresco y eso provocará que el incendio se propague rápidamente.

AVISO:

Antes de cada uso, inspeccione todo el producto para detectar algún daño, partes faltantes o sueltas, como tornillos, tuercas, pernos, tapas, etc. Ajuste firmemente todos los sujetadores y las tapas y no active este producto hasta que todas las partes faltantes o dañadas sean reemplazadas. Póngase en contacto con el servicio al cliente para obtener ayuda.

Para ver las instrucciones de carga completas, consulte la sección de carga de la batería más adelante en este manual y el manual del operador del paquete de baterías RYOBI ONE+™.

FUNCIONAMIENTO

AVISO:

Este producto está diseñado para ser alimentado con un paquete de baterías de iones de litio (Li-ion) de RYOBI ONE+™ 18 V (modo CC) o mediante alimentación eléctrica (modo CA). La unidad funciona en modo CA cada vez que está conectada a una fuente de alimentación eléctrica. Cambiará a modo CC cuando se instale un paquete de baterías aprobado y la unidad no esté conectada a una fuente de alimentación CA.

CONECTE EL SISTEMA DE APERTURA PARA PORTÓN DE GARAJE A UN SUMINISTRO DE ALIMENTACIÓN

Veas las figuras 76 y 77.

Para alimentación CA:

- Arme y monte el sistema de apertura para portón de garaje como se describió anteriormente en la sección *Instalación*.
 - Conecte el sistema de apertura para portón de garaje a un suministro de alimentación CA.
- NOTA:** Asegúrese de que el suministro de corriente sea sólo el doméstico normal, de 120 V, corr. alt, 60 Hz.
- Asegúrese de que el cable de alimentación no se extienda demasiado ni entre en contacto con las piezas móviles.

Para alimentación CC:

- Desenchufe el sistema de apertura para portón de garaje.
- Abra la puerta del compartimiento de las baterías.
- Inserte el paquete de baterías en el producto como se muestra en la figura.
- Asegúrese que los pestillos a cada lado del paquete de batería se traben en su lugar y que el paquete de batería esté firme antes de comenzar el funcionamiento.

⚠ ADVERTENCIA:

Asegúrese de que los pestillos del paquete de baterías entre adecuadamente en su lugar y que el paquete de baterías esté bien colocado y asegurado en el puerto de batería antes de encenderla. No asentar el paquete de baterías correctamente podría provocar que el paquete de baterías se caiga y cause lesiones personales graves o daños físicos.

- Cierre la puerta del compartimiento de las baterías.
- **Para extraer el paquete de baterías**, abra el compartimiento de la batería y presione los pestillos a cada lado del paquete de baterías.

Cuando está instalado el paquete de baterías y el cable de alimentación está conectado, el operador del portón de garaje comenzará a cargar el paquete de baterías.

CARGAR UN PAQUETE DE BATERÍAS

Veas la figura 77.

Los paquetes de pilas se embarcan con carga baja para evitar posibles problemas. Por lo tanto, debe cargarlos antes del primer uso. Si el sistema de apertura para portón de garaje no carga el paquete de baterías en circunstancias normales, devuelva el paquete de baterías y el sistema de apertura para portón de garaje al centro de reparación más cercano para realizar una revisión eléctrica.

- Conecte el sistema de apertura para portón de garaje a un suministro de alimentación CA.
- Instale el paquete de baterías en el sistema de apertura para portón de garaje como se describió anteriormente.
- Presione sobre el paquete de baterías para asegurarse de que los contactos del paquete se ubiquen de forma apropiado con respecto a los contactos de sistema de apertura para portón de garaje.
- Es posible que el paquete de baterías se sienta un poco caliente al tacto mientras está cargándose. Esto es normal y no indica ningún problema.
- Cuando el paquete de baterías esté completamente cargado, puede extraer el paquete de batería o dejarlo en el puerto de la batería para suministrar alimentación CC de ser necesario.

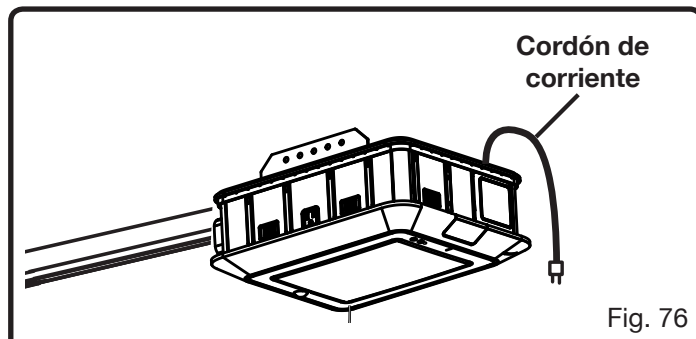


Fig. 76

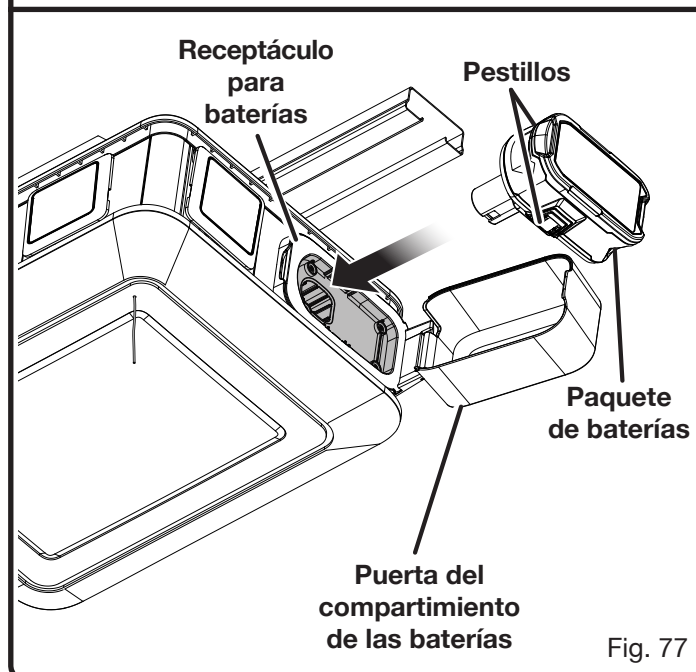


Fig. 77

FUNCIONAMIENTO

INSTALACIÓN DE LOS ACCESORIOS

Veá las figuras 78 y 79.

El sistema de apertura para portón de garaje puede alimentar varios accesorios CA y CC. **Para ver una lista completa de los accesorios, visite www.ryobitools.com.**

⚠ ADVERTENCIA:

Use solo los accesorios recomendados enumerados en el sitio web, en este manual o en los apéndices. El uso de accesorios no señalados en este manual puede presentar riesgos de lesiones corporales. Con los accesorios se incluyen instrucciones para el uso seguro de los mismos.

⚠ ADVERTENCIA:

Asegúrese de que los accesorios estén conectados de manera segura y correcta a sus puertos en el sistema de apertura para portón de garaje. Si no fija el accesorio de manera correcta puede provocar que se caiga y causar lesiones personales graves o daños a la propiedad.

Para accesorios CC:

- Seleccione uno de los puertos del accesorio para alimentar el accesorio.
- Enganche el accesorio en la parte superior del sistema de apertura para portón de garaje e insértelo en el puerto del accesorio. Asegúrese de que el pestillo inferior del accesorio esté fijo en el puerto del sistema de apertura para portón de garaje.

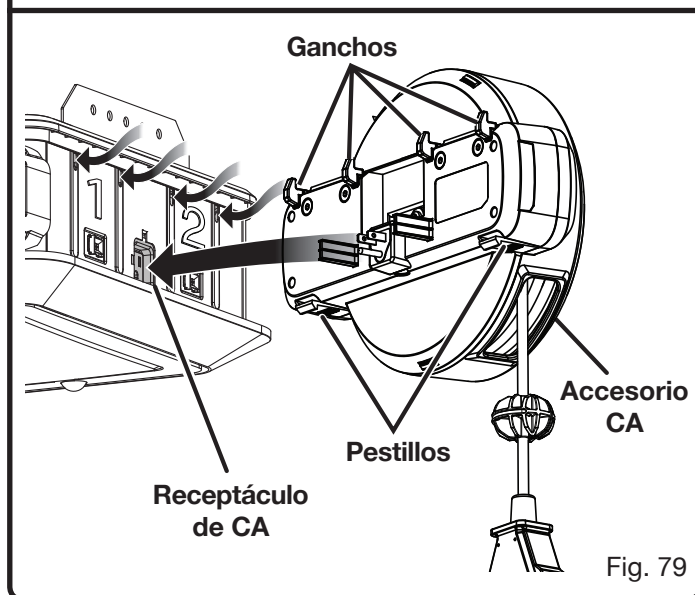
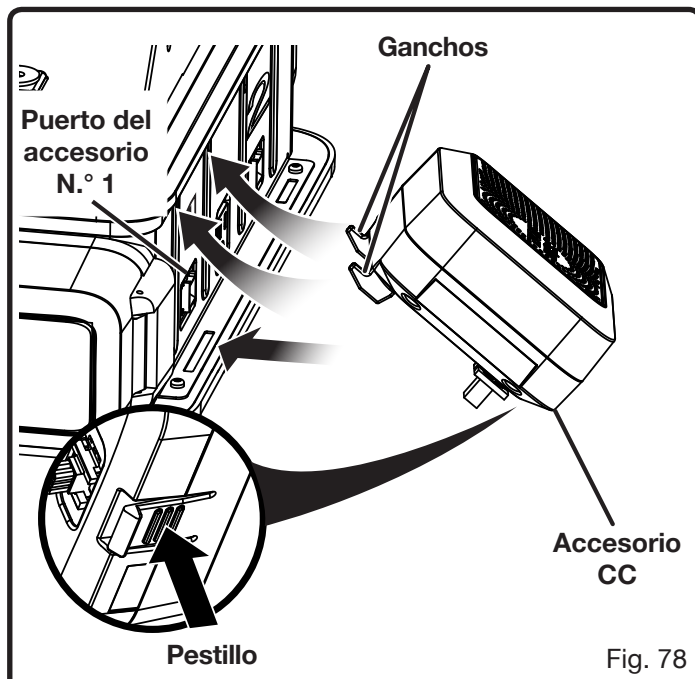
NOTA: Los accesorios CC no reciben alimentación a menos que se haya activado el puerto del accesorio. Consulte **Uso del panel interior** más adelante en esta sección.

- Presione los pestillos para liberar y extraer el accesorio.

Para accesorios CA:

- Retire ambas cubiertas de los puertos del accesorio en la parte lateral donde se instalará el módulo.
- Inserte el accesorio CA en el receptáculo CA como se muestra en la figura.
- Asegure el accesorio en su lugar enganchándolo en la parte superior del sistema de apertura para portón de garaje y asegúrese de que el pestillo inferior del accesorio esté fijo al puerto del sistema de apertura para portón de garaje.
- Presione los pestillos para liberar y extraer el accesorio.

NOTA: Si el sistema de apertura para portón de garaje está desconectado y hay un paquete de baterías instalado, los receptáculos CA y los puertos del accesorio quedarán desactivados, pero los sensores y las luces LED seguirán funcionando normalmente.



FUNCIONAMIENTO

USO DEL PANEL INTERIOR

Vea la figura 80.

⚠ ADVERTENCIA:

Mantenga el portón en movimiento a la vista cuando use el panel interior. El contacto con el portón en movimiento puede provocar la MUERTE o lesiones graves.

El panel interior cuenta con luces de fondo que se encienden cuando el sistema de apertura para portón de garaje está conectado a un suministro de alimentación. Cuando el panel está bloqueado, las luces de fondo se parpadeante.

- Instale y cablee el panel interior como se describió anteriormente en la sección *Instalación*.
- Para levantar o bajar el portón del garaje, presione y suelte el botón **UP/DOWN** (Arriba/Abajo).
- Para entrar y salir del modo de vacaciones, presione y suelte el botón **LOCK** (🔒) (bloquear). Cuando la unidad esté en modo de

vacaciones, solo podrá controlarse mediante el panel interior y el teléfono inteligente. La unidad no responderá a los controles remotos para automóviles ni al panel exterior.

NOTA: Los LED del panel interior parpadearán cuando la unidad esté en modo de vacaciones.

- Para encender y apagar la luz LED, presione y suelte el botón **LIGHT** (💡) (Luz).

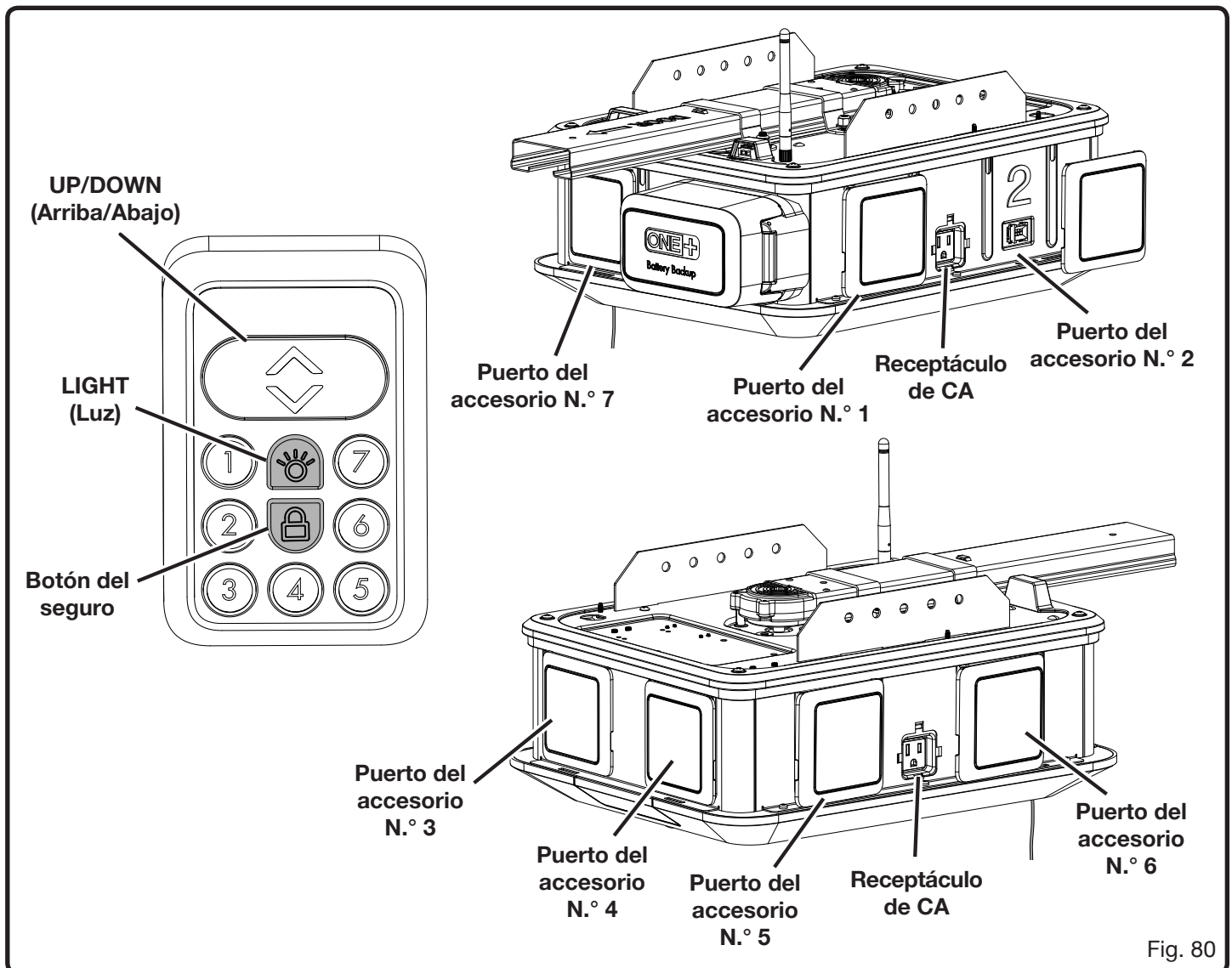
NOTA: Cuando presione el botón de la luz, la luz LED se iluminará durante tres minutos.

Activación/desactivación de los puertos del accesorio:

- Para activar el puerto del accesorio, presione el número del panel interior correspondiente con el puerto deseado. Por ejemplo, para activar puerto N.º 2 del accesorio, presione el **NÚMERO 2** en el panel.

NOTA: Un puerto de accesorio activo puede usarse para alimentar accesorios CC. Puede activar varios puertos simultáneamente.

- Para desactivar el puerto del accesorio, presione el número del panel interior correspondiente con el puerto deseado.



FUNCIONAMIENTO

PRUEBA DEL SISTEMA DE REVERSIÓN AUTOMÁTICA

Vea la figura 81.

⚠ PELIGRO:

Pruebe el sistema de reversión automática después de la instalación, antes del primer uso, todos los meses y después de los ajustes realizados en los límites de recorrido del portón de garaje. Si el portón entra en contacto con un objeto a una altura superior de 38,1 mm (1-1/2 pulg.) por encima del piso del garaje (aproximadamente el tamaño de una tabla de 50,8 x 101,6 mm (2 x 4 pulg.) de forma plana), debe detenerse y revertirse hasta la posición completamente abierta. Si el sistema de reversión automática no funciona correctamente, un portón de garaje cerrándose podría matar o lesionar gravemente a alguien que atraviese el recorrido.

⚠ ADVERTENCIA:

NO haga funcionar el sistema de apertura para portón de garaje a menos que el sistema de reversión automática funcione correctamente. Cumplir con esta norma reducirá el riesgo de sufrir lesiones personales graves o la muerte.

- Presione y suelte el botón **UP/DOWN** (Arriba/Abajo) del panel interior para elevar el portón del garaje.
- Coloque una plancha de 38,1 mm (1-1/2 pulg.) (aproximadamente el tamaño de una tabla de 50,8 x 101,6 mm (2 x 4 pulg.) de forma plana) en el piso del garaje debajo del portón.
- Presione y suelte el botón **UP/DOWN** (Arriba/Abajo) del panel interior para bajar el portón del garaje. Cuando el portón golpee la plancha, debe revertir su dirección inmediatamente.
NOTA: Una vez que el portón entre en contacto con la plancha, sonará un zumbador cinco veces y las luces LED del sistema de apertura para portón de garaje parpadearán cinco veces.
- Si el portón de garaje revierte su dirección después de entrar en contacto con la plancha, el sistema de reversión funciona correctamente y no es necesario realizar más ajustes.
- Si el portón del garaje se detiene antes de golpear la plancha o golpea la plancha y luego se detiene, aumente el límite de recorrido para la posición cerrada y repita la prueba.
- Si el sistema de reversión automática continúa fallando, comuníquese con atención al cliente o con una persona de servicio calificada para obtener ayuda.

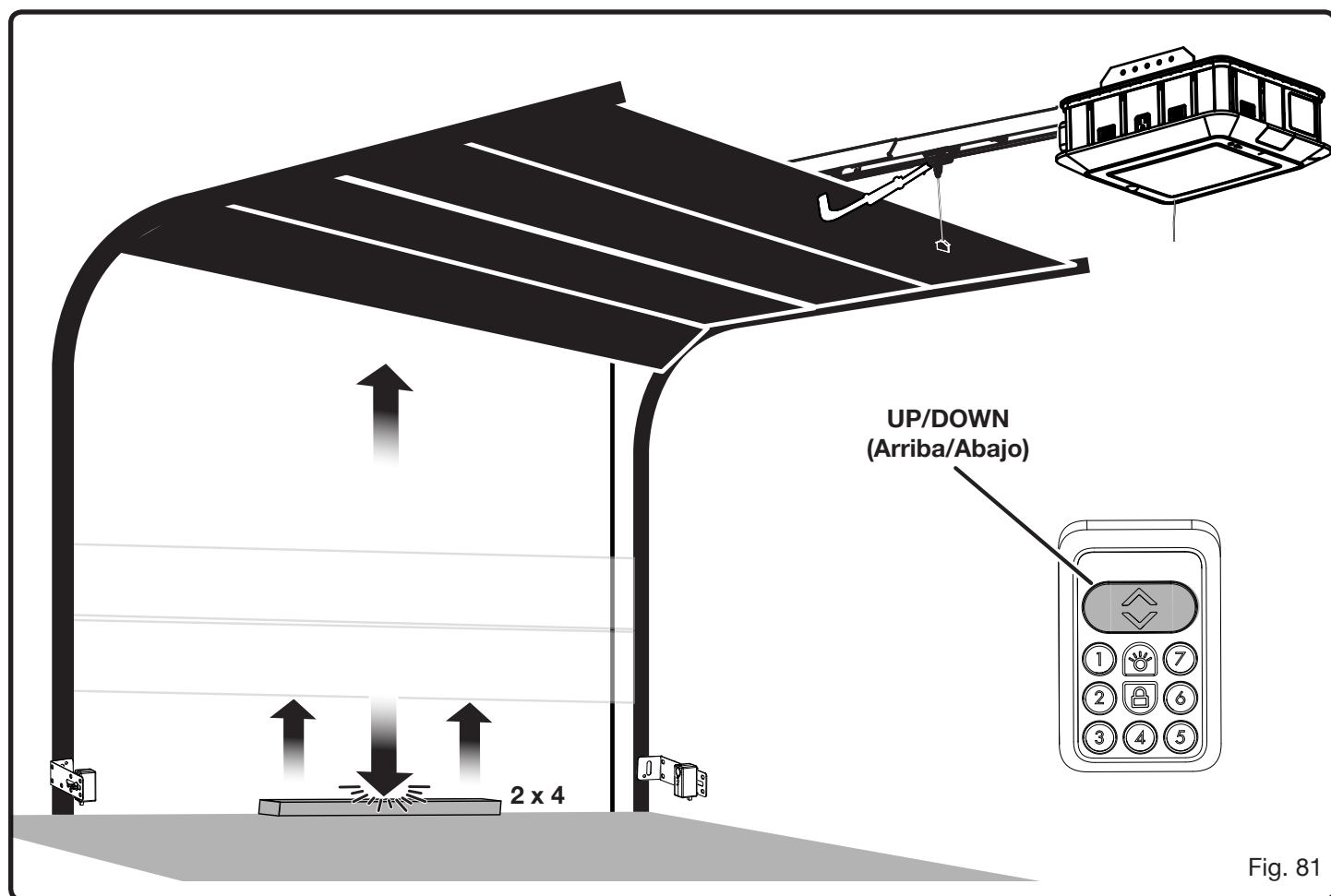


Fig. 81

FUNCIONAMIENTO

PROGRAMACIÓN DEL PANEL EXTERIOR

Vea las figura 82 y 83.

ADVERTENCIA:

Mantenga el portón en movimiento a la vista cuando use el panel exterior. El contacto con el portón en movimiento puede provocar la MUERTE o lesiones graves.

Una vez que comience a programar el panel exterior, tendrá dos minutos para completar cada paso. Si no completa un paso en un lapso de dos minutos, se borrará la información de programación. Para mejor resultados, manténgase debajo del abridor de puerta de cochera al programar el panel.

- Si todavía no lo hizo, instale una batería de 9 voltios en el panel exterior.
- Mantenga presionado el botón **PROGRAM** (programa) durante al menos 10 segundos. El botón **PROGRAM** (programa) titilará 10 veces para indicar que se ha borrado cualquier PIN existente.
- Presione y mantenga presionado el botón **1**. Con el botón **1** aún presionado, presione el botón **ON/PROGRAM** (encendido/programa), libere ambos. El LED del panel titilará dos veces y permanecerá encendido.
- Ingrese el PIN que desee (4 dígitos). Los LED del panel titilarán tres veces y permanecerá encendido durante unos segundos. Esto indica que se ha aceptado el PIN y que el panel está listo para acoplarse al sistema de apertura del portón de su garaje.
- Presione y mantenga presionado el botón **PROGRAM** (programa) de la consola del sistema de apertura del portón hasta que se apaguen las luces LED del sistema de apertura del portón y la luz que se encuentra detrás del botón **PROGRAM** (programa) de la consola titile tres veces. Esto indica que la consola está en modo de programación.

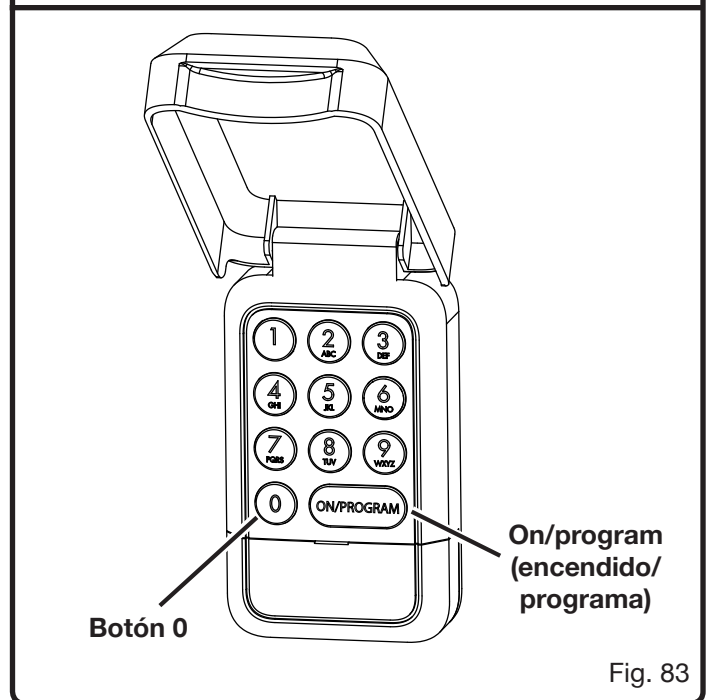
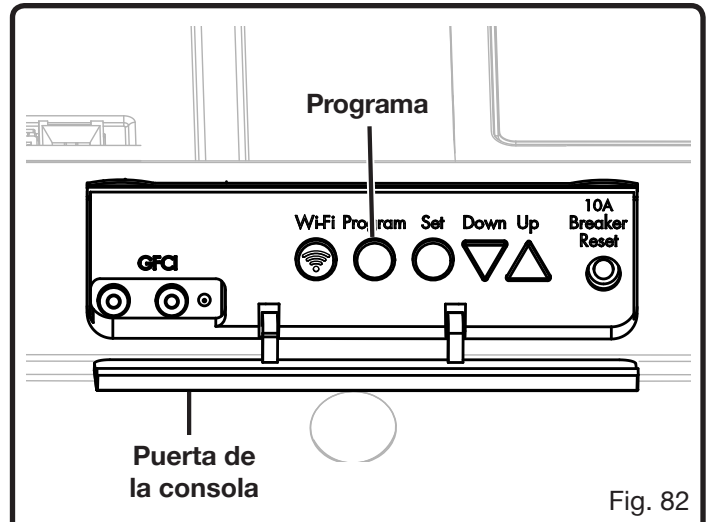
NOTA: Puede que tome varios segundos para que las luces destellen.

- Presione el botón **ON/PROGRAM** (encendido/programa) del panel exterior; luego, ingrese su PIN. La luz que se encuentra detrás del botón **PROGRAM** (programa) de la consola del sistema de apertura del portón del garaje titilará tres veces; luego, se encenderán las luces LED del sistema de apertura del portón.

NOTA: Puede que tome varios segundos para que las luces destellen.

- Dentro de los 30 segundos después se enciende las luces LED, presione el botón 0 del panel. Una vez que las portón de garaje se mueve, la configuración habrá finalizado.
- Para accionar el sistema de apertura del portón del garaje luego de la configuración inicial, presione el botón **ON/PROGRAM** (encendido/programa) del panel; luego, ingrese su PIN.

NOTA: Para cambiar el PIN o restablecer un PIN olvidado, repita todos los pasos que se indican en esta sección, incluida la sincronización del panel exterior con el sistema de apertura del portón del garaje.



Para configurar un PIN temporario:

Se puede configurar un PIN temporario para que lo utilicen las visitas o el personal de servicio. Este PIN solo estará disponible hasta la próxima vez que usted ingrese su PIN habitual en el panel.

- Presione y mantenga presionado el botón **3**. Con el botón **3** aún presionado, presione el botón **ON/PROGRAM** (encendido/programa), luego libere ambos. LED del panel titilará tres veces y permanecerá encendido.
- Ingrese su PIN actual. Los LED del panel titilarán brevemente dos veces.
- Ingrese el PIN temporario que desee. Los LED del panel titilarán brevemente tres veces y el PIN temporario ya estará listo para ser usado.
- Para accionar el sistema de apertura del portón del garaje con el PIN temporario, presione el botón **ON/PROGRAM** (encendido/programa) del panel; luego, ingrese el PIN temporario.

NOTA: Recuerde que el PIN temporario se borrará automáticamente la próxima vez que se ingrese su PIN habitual en el panel exterior.

FUNCIONAMIENTO

PROGRAMACIÓN DE LOS CONTROLES REMOTOS

Vea la figura 84.

⚠️ ADVERTENCIA:

Mantenga el portón en movimiento a la vista cuando use controles remotos para automóviles. El contacto con el portón en movimiento puede provocar la MUERTE o lesiones graves.

Una vez que comience a programar los controles remotos para automóviles, tendrá dos minutos para completar cada paso. Si no completa un paso en un lapso de dos minutos, se borrará la información de programación.

- Presione el botón **PROGRAM** (Programa) en la consola del sistema de apertura para portón de garaje.
- Los LED de la unidad principal del sistema de apertura para portón de garaje se apagarán y el botón **PROGRAM** parpadeará tres veces.
- Seleccione el botón **1** o **2** en el control remoto para el automóvil. Presione el botón una vez.
- El LED verde del control remoto para el automóvil parpadeará.
- El botón **PROGRAM** (Programa) de la unidad principal parpadeará tres veces.
- Los LED de la unidad principal del sistema de apertura para portón de garaje se encenderán.
- Para verificar que el programa está establecido, presione el botón del control remoto del automóvil que seleccionó anteriormente.
- El portón del garaje se abrirá o cerrará.
- Repita este proceso para sincronizar el sistema de apertura para portón de garaje con un control remoto adicional.

NOTA: Los botones **1** y **2** no se pueden programar para el mismo sistema de apertura para portón de garaje.

NOTA: Los sensores de seguridad deben estar siempre conectados correctamente para que el portón funcione desde el control remoto del automóvil.

NOTA: El sistema de apertura para portón de garaje no se puede operar con un control remoto para automóvil hasta que se hayan establecido los límites de recorrido.

USO DE LA APLICACIÓN DEL TELÉFONO INTELIGENTE

Vea la figura 85.

⚠️ ADVERTENCIA:

Para reducir el riesgo de lesiones para personas: solo active la característica de la aplicación del sistema del accesorio de apertura para portón de garaje RYOBI cuando realice la instalación en un portón seccional.

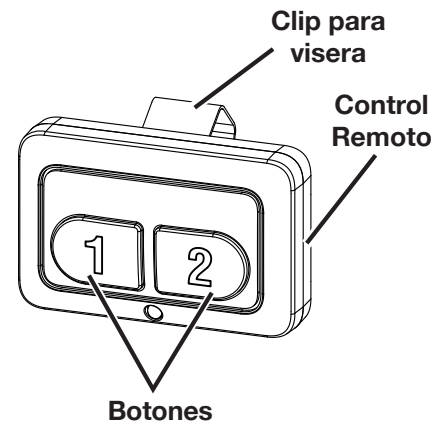


Fig. 84

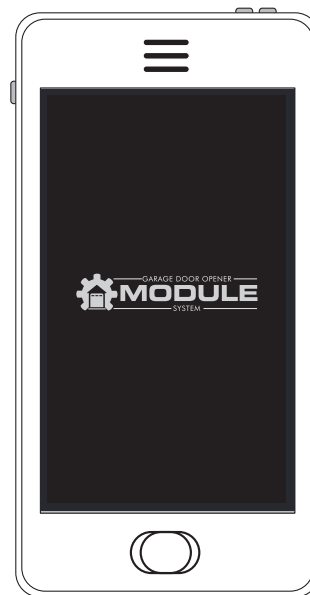


Fig. 85

⚠️ ADVERTENCIA:

Los dispositivos o accesorios, como la aplicación del sistema del accesorio de apertura para portón de garaje RYOBI, que permiten abrir y cerrar el garaje sin tener una visión del portón solo deben utilizarse con portones de garaje seccionales.

NOTA: Un router Wi-Fi conectado a Internet debe usar la aplicación para teléfono inteligente. No podrá abrir el portón del garaje ni recibir otra información de los accesorios instalados mediante la aplicación para teléfono inteligente si la conexión Wi-Fi de su hogar con el sistema de apertura para portón de garaje es nula o no funciona correctamente.

- Descargue la aplicación del sistema del accesorio de apertura para portón de garaje RYOBI desde la **App Store** o **Google Play Store**.
- Siga las instrucciones provistas en la aplicación y en la guía de la aplicación para controlar el sistema de apertura para portón de garaje y los accesorios. Para obtener más información, visite www.ryobitools.com.

MANTENIMIENTO

INSTRUCCIONES DE SEGURIDAD IMPORTANTES

⚠️ ADVERTENCIA: **PARA REDUCIR EL RIESGO DE LESIONES GRAVES O LA MUERTE:**

1. LEA Y SIGA TODAS LAS INSTRUCCIONES.
2. Nunca permita que los niños hagan funcionar los controles del portón ni jueguen con ellos. Mantenga el control remoto lejos del alcance de los niños.
3. Siempre tenga a la vista el portón cuando se está moviendo y no permita que se acerquen personas u objetos hasta que esté completamente cerrado. NADIE DEBE ATRAVESAR EL TRAYECTO DE UN PORTÓN EN MOVIMIENTO.
4. NUNCA ATRAVIESE UN PORTÓN PARCIALMENTE ABIERTO.
5. Controle el sistema de apertura para portón mensualmente. El portón del garaje DEBE invertirse cuando entre en contacto con un objeto a una distancia de 38 mm (1-1/2 pulg.) (o una tabla de 50,8 x 101,6 mm (2 x 4 pulg.) de forma plana) del suelo. Después de ajustar la fuerza o el límite del recorrido, vuelva a probar el sistema de apertura para portón. Si no ajusta el sistema de apertura correctamente, puede provocar lesiones graves o la muerte.
6. Para los productos que requieren una liberación de emergencia, si es posible use la liberación de emergencia solo cuando el portón esté cerrado. Tenga cuidado cuando use esta liberación con el portón abierto. Los resortes débiles o rotos pueden hacer que el portón caiga rápidamente, provocando lesiones o la muerte.
7. MANTENGA EL PORTÓN DEL GARAJE CORRECTAMENTE BALANCEADO. Consulte el manual del propietario. Un portón incorrectamente balanceado puede provocar lesiones graves o la muerte. Una persona de servicio calificada debe realizar las reparaciones de cables, conjuntos de resortes y otros accesorios.
8. Este sistema de operación está equipado con una característica de operación sin supervisión. El portón se puede mover de forma inesperada. NADIE DEBE ATRAVESAR EL TRAYECTO DE UN PORTÓN EN MOVIMIENTO.

9. **GUARDE ESTAS INSTRUCCIONES.**

⚠️ ADVERTENCIA:

Antes de inspeccionar, limpiar o realizar el mantenimiento de la máquina, baje el portón del garaje, apague el motor, espere a que se detengan todas las piezas móviles, desconecte la unidad de la alimentación eléctrica y retire todos los accesorios. La inobservancia de estas instrucciones puede provocar lesiones personales graves o daños a los bienes.

⚠️ ADVERTENCIA:

Al dar servicio a la unidad, sólo utilice piezas de repuesto idénticas. El empleo de otras piezas puede crear un riesgo de lesiones personales o provocar daños en el producto.

⚠️ ADVERTENCIA:

Inspeccione periódicamente todo el producto para detectar partes dañadas, faltantes o sueltas, como tornillos, tuercas, pernos, tapas, etc. Apriete firmemente todos los sujetadores y las tapas y no accione este producto hasta que todas las partes faltantes o dañadas sean reemplazadas. Llame con el servicio al cliente para recibir asistencia. Las piezas flojas, faltantes o dañadas pueden provocar la muerte, lesiones personales graves o daños a la propiedad.

MANTENIMIENTO GENERAL

Evite el empleo de solventes al limpiar piezas de plástico. La mayoría de los plásticos son susceptibles a diferentes tipos de solventes comerciales y pueden resultar dañados. Utilice paños limpios para eliminar la suciedad, el polvo, el aceite, la grasa, etc.

⚠️ ADVERTENCIA:

No permita en ningún momento que fluidos para frenos, gasolina, productos a base de petróleo, aceites penetrantes, etc., lleguen a tocar las piezas de plástico. Las sustancias químicas pueden dañar, debilitar o destruir el plástico, lo cual a su vez podría producir lesiones corporales serias.

REEMPLAZO DEL CORDÓN DE CORRIENTE

El fabricante deben cambiar el cordón de corriente, en caso de que sea necesario, para evitar peligros.

MANTENIMIENTO

REEMPLAZO DE LAS BATERÍAS DEL CONTROL REMOTO DEL AUTOMÓVIL

Vea la figura 86.

⚠️ ADVERTENCIA:

MANTENGA LAS BATERÍAS DE CELDA TIPO BOTÓN/MONEDA FUERA DEL ALCANCE DE LOS NIÑOS. La ingesta de las baterías puede provocar lesiones graves o la muerte. Si sospecha que un niño ingirió una batería, diríjase a un hospital inmediatamente. No induzca el vómito ni le dé al niño nada de comer o beber. Para más información, llame a la National Battery Ingestion Hotline (Línea Directa Nacional sobre la Ingesta de Baterías): 202-625-3333. El número de identificación de la batería para este producto es CR2032 o CR2032.

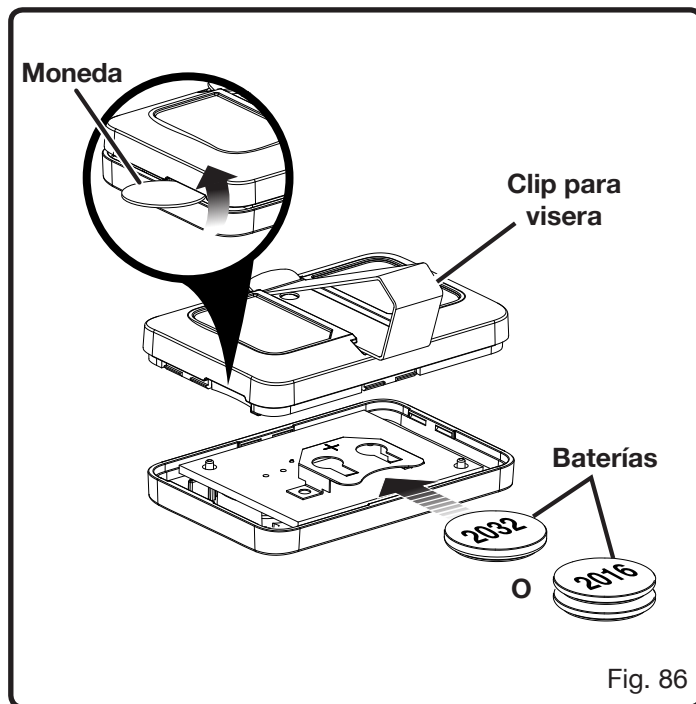
⚠️ ADVERTENCIA:

Riesgo de lesiones debido a incendios, explosión o fugas. No desarme, cargue, aplaste ni exponga al fuego ni a las altas temperaturas.

- Retire el clip para visera.
- Inserte el borde de una moneda en la ranura y gírela para quitar la tapa del compartimiento para baterías.
- Instale la batería o las baterías conforme a los indicadores de polaridad.

NOTA: El control remoto puede alimentarse con una batería de tamaño 2032 o dos baterías de tamaño 2016 apiladas.

- Vuelva a armar el control remoto alineando las secciones como se muestra a continuación.
- Encastre las secciones al mismo tiempo para cerrarlo.
- Asegúrese de que el control remoto esté firmemente rearmado antes de conectar el clip para visera.



CALENDARIO DE MANTENIMIENTO PERIÓDICO

Todas las semanas	<ul style="list-style-type: none"> ■ Verifique el cabezal de alimentación, los soportes, los brazos del portón y los rodillos en busca de piezas flojas o dañadas. Reemplace o ajuste según sea necesario.
Todos los meses	<ul style="list-style-type: none"> ■ Abra y cierre manualmente el portón del garaje. Si el portón del garaje no se mueve suavemente, se atasca o está desbalanceado, haga que una persona de servicio calificada repare el portón del garaje o sus resortes. ■ Pruebe el sistema de reversión automática como se describe en la sección <i>Instalación</i>.
Cada 3 meses	<ul style="list-style-type: none"> ■ Pruebe los límites de recorrido del portón del garaje, como se describe en la sección <i>Funcionamiento</i> y asegúrese de que se abra y se cierre completamente. ■ Verifique el estado del cable de suministro de alimentación y del paquete de baterías. Reemplace según sea necesario.
Todos los años	<ul style="list-style-type: none"> ■ Lubrique los rodillos y las bisagras del portón del garaje. El sistema de apertura para portón de garaje está lubricado con una cantidad suficiente de lubricante para toda la vida útil de la unidad bajo condiciones de funcionamiento normales. Por lo tanto, no se requiere lubricación adicional de la unidad. NO AGREGUE LUBRICANTE A LAS PISTAS. ■ Desenchufe el cabezal de alimentación y pruebe el respaldo de baterías. Si la unidad no puede funcionar solo con alimentación CC, cargue o reemplace el paquete de baterías.

ACCESORIOS

Los siguientes accesorios no vienen incluidos con el sistema de apertura para portón de garaje, pero pueden estar disponibles donde compró el producto. Para obtener ayuda, llame al 1-877-205-5714.

- Kit de extensión..... GDAEXT100 (8 pies), GDAEXT110 (10 pies),
GDAEXT112 (12 pies) y GDAEXT114 (14 pies)
- Módulo de alarma de monóxido de carbono para garaje..... GDM920
- Paquete de baterías de iones de litio.....P102, P103, P104, P105, P107, y P108
- Altavoz Bluetooth GDM120
- Ayuda láser para estacionamiento doble GDM222
- Carrete de cable de extensión GDM330
- Ventilador de control de velocidad..... GDM421
- Control remoto del automóvil.....GDA100
- Sensor de seguridadGDA200
- Panel exterior.....GDA300

ADVERTENCIA:

Arriba se señalan los aditamentos y accesorios disponibles para usarse con este producto. No utilice ningún aditamento o accesorio no recomendado por el fabricante de este producto. El empleo de aditamentos o accesorios no recomendados podría causar lesiones serias.

CORRECCIÓN DE PROBLEMAS

PROBLEMA	CAUSA POSIBLE	SOLUCIÓN
Todos los botones de la consola parpadean en forma continua	El voltaje CC es inferior a 24 V. El voltaje CC es superior a 40 voltios	Desconecte la unidad del suministro de alimentación. Espere algunos minutos antes de volver a conectar. Si el problema continúa, comuníquese con atención al cliente. Desconecte la unidad del suministro de alimentación. Espere algunos minutos antes de volver a conectar. Si el problema continúa, comuníquese con atención al cliente.
Cuando establezca o pruebe los límites de recorrido, sonará un zumbador y el botón UP (Arriba) de la consola parpadeará en forma continua	No se puede detectar el sensor de seguridad (receptor).	Inspeccione los cables del sensor en busca de daños y asegúrese de que estén instalados correctamente. Restablezca los límites de recorrido.
Cuando establezca o pruebe los límites de recorrido, sonará un zumbador y el botón DOWN (Abajo) de la consola parpadeará en forma continua	No se puede detectar el sensor de seguridad (transmisor).	Desconecte la unidad del suministro de alimentación. Inspeccione los cables del sensor en busca de daños y asegúrese de que estén instalados correctamente. Conecte el suministro de alimentación y restablezca los límites de recorrido.
Cuando pruebe los límites de recorrido, sonará un zumbador y todos los botones de la consola parpadearán siete veces.	Uno de los pasos para establecer los límites de recorrido no se completó en un lapso de dos minutos.	Complete cada paso para establecer los límites de recorrido en un lapso de dos minutos.

CORRECCIÓN DE PROBLEMAS

PROBLEMA	CAUSA POSIBLE	SOLUCIÓN
<p>Cuando pruebe los límites de recorrido, sonará un zumbador dos veces y todos los botones de la consola parpadearán once veces.</p>	<p>Los sensores de seguridad están desalineados u obstruidos durante la prueba</p>	<p><i>Retire la obstrucción o alinee los sensores de seguridad como se describe en la sección Instalación y Funcionamiento.</i></p>
<p>Cuando programe el panel exterior, sonará un zumbador y todos los botones de la consola parpadearán siete veces.</p>	<p>Uno de los pasos para programar el panel exterior no se completó en un lapso de dos minutos.</p>	<p>Complete cada paso para programar el panel exterior en un lapso de dos minutos.</p>
<p>Cuando programe el control remoto para automóvil, sonará un zumbador y todos los botones de la consola parpadearán siete veces.</p>	<p>Uno de los pasos para programar el control remoto para automóvil no se completó en un lapso de dos minutos.</p>	<p>Complete cada paso para programar el control remoto para automóvil en un lapso de dos minutos.</p>
<p>Durante el funcionamiento, el sistema de apertura se esfuerza para elevar o bajar el portón y luego se detiene. Un zumbador suena en forma continua y el botón SET (Establecer) de la consola parpadea en forma continua.</p>	<p>El amperaje del motor excedió los 8 amperios.</p> <p>El resorte del portón (resorte de torsión y/o resorte de extensión) está dañado.</p> <p>El portón es demasiado pesado, está roto o atascado.</p>	<p>Desenchufe la unidad. Haga reparar o reemplazar el resorte o el portón por un técnico de servicio calificado.</p> <p>Desenchufe la unidad. Haga reparar o reemplazar el resorte por un técnico de servicio calificado.</p> <p>Desenchufe la unidad. Haga reparar o reemplazar el portón por un técnico de servicio calificado.</p>
<p>Cuando se utiliza un control remoto para automóvil, un teléfono inteligente o un panel, sonará un zumbador y los botones UP (Arriba) y DOWN (Abajo) de la consola parpadearán en forma continua</p>	<p>Los límites de recorrido se borraron o no se establecieron correctamente.</p>	<p>Establezca los límites de recorrido como se describió en la sección Instalación.</p>
<p>El portón del garaje comienza a cerrarse y se detiene y se revierte. Suena un zumbador cinco veces y las luces LED del sistema de apertura para portón de garaje parpadean cinco veces</p>	<p>El sistema de apertura para portón de garaje chocó contra un objeto mientras se estaba cerrando.</p>	<p>Retire el objeto y continúe con la operación.</p>
<p>El sistema de apertura para portón de garaje está en la posición completamente abierta y no se puede cerrar con un control remoto para automóvil, un teléfono inteligente o un panel.</p>	<p>Los sensores de seguridad no reciben alimentación.</p>	<p>Inspeccione los cables del sensor en busca de daños y asegúrese de que estén instalados correctamente. Restablezca los límites de recorrido.</p>
<p>El sistema de apertura para portón de garaje no se activa cuando se presiona el panel interior</p>	<p>La batería tiene poca carga o el suministro de alimentación no está conectado</p> <p>El cable que conecta el panel al cabezal de alimentación está dañado</p> <p>Se activó el disyuntor</p>	<p>Cargue la batería o conéctelo a un suministro de alimentación</p> <p>Reemplace los cables dañados y cables</p> <p>Restablezca el disyuntor</p>
<p>El sistema de apertura para portón de garaje se activa, pero el portón del garaje no se mueve</p>	<p>El trole exterior no está enganchado con el trole interior</p> <p>Los brazos del portón no están conectados al trole exterior</p> <p>Los brazos del portón no están conectados al portón del garaje</p>	<p>Tire de la soga de liberación de emergencia y levante manualmente el portón del garaje hasta que el trole exterior enganche con el trole interior.</p> <p>Fije los brazos del portón al trole exterior con un pasador sujetable y un pasador de enganche</p> <p>Fije los brazos del portón al portón del garaje con un pasador sujetable y un pasador de enganche</p>

CORRECCIÓN DE PROBLEMAS

PROBLEMA	CAUSA POSIBLE	SOLUCIÓN
El portón del garaje no se puede abrir ni cerrar con el control remoto para automóvil ni el panel exterior	El sistema de apertura para portón de garaje está en modo de vacaciones.	Presione el botón LOCK (🔒) (Bloquear) del panel interior o de la aplicación para teléfono inteligente para desbloquear el sistema de apertura para portón de garaje
El sistema de apertura para portón de garaje hace mucho ruido	Es posible que los sujetadores no estén firmemente apretados El límite de recorrido de apertura se estableció en forma incorrecta (solo para portones de un solo panel)	Inspeccione todo el producto en busca de piezas flojas como tornillos, tuercas, pernos, tapas, etc. Ajuste todas las piezas con firmeza Ajuste los límites de recorrido como se describió en la sección <i>Instalación</i> .
Los accesorios CA no funcionan	El suministro de alimentación CA está desconectado Se activó el CFCI Hay uno o dos accesorios instalados con una calificación combinada de más de 10 amperios	Conecte el suministro de alimentación CA Presione el botón de restablecimiento en la consola Retire el accesorio o los accesorios y presione el botón de restablecimiento del disyuntor de 10 amperios en la consola.
Los accesorios CC no funcionan	El suministro de alimentación CA está desconectado El puerto que alimenta al accesorio CC no está activado.	Conecte el suministro de alimentación CA Use el panel interior para activar el puerto.
El panel exterior no funciona.	El panel no ha sido programado correctamente La señal hacia el panel está obstruida	Programa el panel según se describe en la sección de <i>Funcionamiento</i> Mueva el panel a una ubicación distinta.
El control remoto del coche no funciona	La antena RF está obstruida El control remoto no está programado correctamente La señal hacia el control remoto está obstruida	Ubique la antena debajo del abridor. Programa el control remoto según se describe en la sección de <i>Funcionamiento</i> Mueva el control remoto a otra ubicación
El control remoto no se puede conectar a la red Wi-Fi	El enrutador Wi-Fi no está conectado al Internet El abridor no ha sido programado correctamente El enrutador Wi-Fi utiliza el programa de seguridad WEP	Conecte el enrutador Wi-Fi al Internet Programa la unidad según las instrucciones de la aplicación Cambie la configuración de seguridad de su red a WPA/WPA2

GARANTÍA

DECLARACIÓN DE GARANTÍA LIMITADA NO APLICABLE AL MOTOR

One World Technologies, Inc., garantiza al comprador original al menudeo que este producto de sistema de apertura para portón de garaje de marca de RYOBI™ carece de defectos en los materiales y mano de obra y acuerda reparar o reemplazar, a la sola discreción de One World Technologies, Inc., cualquier producto o pieza defectuosa sin costo para los siguientes períodos de tiempo a partir de la fecha de compra.

- Tres años para el cabezal de alimentación, la caja de engranajes, los rieles, los brazos del portón, los sensores, los controles remotos y los paneles.
- De por vida para el motor y la correa. De por vida implica siempre que el comprador original minorista sea el propietario del sistema de apertura para portón de garaje y que el sistema de apertura no se extraiga del lugar de instalación original.

Esta garantía se otorga solamente al comprador original al menudeo, y comienza en la fecha de la compra original al menudeo.

Si dentro del período de la garantía establecido anteriormente, este producto parece tener un defecto cubierto por la garantía limitada, comuníquese con atención al cliente llamando al 1-877-205-5714. Debe otorgarse a One World Technologies, Inc. una cantidad de tiempo razonable para determinar si el reclamo por garantía es válido antes de extraer o modificar el producto. Si se determina que su reclamo es válido, se le ofrecerán instrucciones para desarmar y enviar el producto o la pieza defectuosa. Cualquier pieza de este producto fabricada o suministrada por One World Technologies, Inc., y que se encuentre, a juicio razonable de One World Technologies, Inc., defectuosa en materiales o mano de obra será reparada o reemplazada sin cobro de piezas. Si el desarmado, la reinstalación o la reparación es realizada por un profesional, los costos de mano de obra son responsabilidad exclusiva del comprador.

El costo de envío del producto para el trabajo de garantía y el costo de devolución al propietario después de la reparación o el reemplazo quedarán a cargo del propietario. La responsabilidad de One World Technologies, Inc., con respecto a todo reclamo se limita a las reparaciones o reemplazo del producto, y ningún reclamo de incumplimiento de la garantía será causante de la cancelación o rescisión del contrato de venta de ningún producto de marca RYOBI™. En el centro de servicio autorizado se requerirá el recibo de compra para respaldar cualquier reclamo al amparo de la garantía. Todo el trabajo de garantía debe estar aprobado por One World Technologies, Inc.

Las instrucciones para instalar, hacer funcionar, mantener y probar la unidad están incluidas en el manual del operador. Si no sigue estrictamente estas instrucciones se anulará esta garantía limitada.

Esta garantía no cubre ningún producto e marca que haya estado sometido a uso indebido, maltrato, negligencia o accidente, o que haya sido utilizado de cualquier forma contraria a las instrucciones de manejo especificadas en el manual del operador del producto de marca. Esta garantía no cubre ningún daño sufrido por el producto de marca causado por un mantenimiento inadecuado, ni ningún producto los productos de marca que haya sido alterado o modificado de manera que haya resultado afectado desfavorablemente el funcionamiento, el desempeño o la durabilidad del producto, o haya cambiado el uso para el que fue

diseñado. La garantía no se extiende a reparaciones realizadas por desgaste normal, casos fortuitos o por el uso de piezas o accesorios que no sean compatibles con el sistema de apertura para portón de garaje marca RYOBI™ o que generen un efecto adverso en su funcionamiento, rendimiento o durabilidad. Esta garantía excluye a unidades instaladas para uso no residencial o comercial, costos de mano de obra por la instalación de unidades reparadas o de reemplazo, cualquier reparación o modificación no autorizada, el costo del reemplazo de artículos de consumo como las baterías del panel o del control remoto, problemas que puedan ocurrir como consecuencia de interferencia de radio, y elementos que formen parte o estén relacionados con el portón del garaje, incluidos entre otros, resortes del portón, bisagras del portón, rodillos del portón y otros accesorios del portón del garaje.

One World Technologies, Inc., se reserva el derecho de cambiar o mejorar el diseño de cualquier producto de sistema de apertura para portón de garaje de marca de RYOBI™ sin asumir ninguna obligación de modificar ningún producto fabricado previamente.

TODAS LAS GARANTÍAS IMPLÍCITAS ESTÁN LIMITADAS EN DURACIÓN SEGÚN EL PERÍODO DE GARANTÍA DECLARADA. COMO CORRESPONDE, TODA GARANTÍA IMPLÍCITA, INCLUIDAS LAS DE COMERCIABILIDAD, IDONEIDAD PARA UN PROPÓSITO EN PARTICULAR, O DE CUALQUIER OTRO TIPO, SE DESCONOCE POR COMPLETO DESPUÉS DEL PERÍODO DE GARANTÍA CORRESPONDIENTE DE TRES AÑOS. DE CONFORMIDAD CON ESTA GARANTÍA, LA OBLIGACIÓN DE ONE WORLD TECHNOLOGIES, INC., SE LIMITA ESTRICTA Y EXCLUSIVAMENTE A LA REPARACIÓN O REEMPLAZO DE LAS PIEZAS DEFECTUOSAS, Y ONE WORLD TECHNOLOGIES, INC., NO ASUME NINGUNA OTRA OBLIGACIÓN, NI AUTORIZA A NADIE ASUMIRLA A NOMBRE DE DICHA COMPAÑÍA. ALGUNOS ESTADOS NO PERMITEN LIMITACIONES EN CUANTO A LA DURACIÓN DE UNA GARANTÍA IMPLÍCITA, POR LO CUAL ES POSIBLE QUE LA LIMITACIÓN ANTERIOR NO SE APLIQUE EN SU CASO. ONE WORLD TECHNOLOGIES, INC., NO ASUME NINGUNA RESPONSABILIDAD POR DAÑOS INCIDENTALES, COMO CONSECUENCIA O DE OTRO TIPO, INCLUIDOS ENTRE OTROS, GASTOS DE DEVOLUCIÓN DEL PRODUCTO A ONE WORLD TECHNOLOGIES, INC. Y GASTOS DE DEVOLUCIÓN AL PROPIETARIO, TIEMPO DE VIAJE DEL MECÁNICO, CARGOS POR LLAMADAS TELEFÓNICAS O TELEGRAMAS, ALQUILER DE UN PRODUCTO SIMILAR DURANTE EL TIEMPO EN QUE SE REALIZA EL SERVICIO DE LA GARANTÍA, VIAJES, PÉRDIDA O DAÑOS DE PROPIEDAD PERSONAL, PÉRDIDA DE INGRESOS, PÉRDIDA DE USO DEL PRODUCTO, PÉRDIDA DE TIEMPO O INCONVENIENTES. ALGUNOS ESTADOS NO PERMITEN LA EXCLUSIÓN O LIMITACIÓN DE DAÑOS INCIDENTALES O COMO CONSECUENCIA, DE MANERA QUE ES POSIBLE QUE LA LIMITACIÓN O EXCLUSIÓN ANTERIOR NO SE APLIQUE A SU CASO.

Esta garantía le confiere derechos legales específicos, y es posible que usted goce de otros derechos, los cuales pueden variar de estado a estado.

Esta garantía se aplica a todos producto de sistema de apertura para portón de garaje de marca de RYOBI™ distribuido por One World Technologies, Inc., y vendidos en Estados Unidos, México, y Canadá.

CUMPLIMIENTO DE LAS NORMAS DE LA FCC

La siguiente información de cumplimiento de FCC es solo para el sistema de apertura para portón de garaje GD200A. Para obtener información relacionada con otros productos y accesorios, consulte las etiquetas y la documentación incluidas con los artículos.

⚠️ ADVERTENCIA:

Los cambios o modificaciones hechos a esta unidad sin la autorización expresa del responsable del cumplimiento de la norma podrían anular la autoridad del usuario para manejar el equipo.

Este dispositivo cumple con la Parte 15 de las Reglas de FCC y con los estándares de la industria de RSS exentos de licencia de Canadá. El funcionamiento está sujeto a las siguientes dos condiciones: (1) Este dispositivo no debe causar interferencias perjudiciales, y (2) Este dispositivo debe admitir toda interferencia recibida, incluso aquella que pudiera dificultar el funcionamiento esperado.

NOTA: El ente que ofrece la garantía no es responsable por los cambios o modificaciones que no estén expresamente aprobados por la parte responsable del cumplimiento. Dichas modificaciones pueden anular la autoridad del usuario para hacer funcionar el equipo.

NOTA: Se ha verificado y determinado que este equipo cumple con los límites correspondientes a los dispositivos digitales de Clase B, de acuerdo con la Parte 15 de las Normas de la FCC. Estos límites están establecidos para proporcionar una protección razonable contra la interferencia dañina en las instalaciones residenciales. Este equipo genera, utiliza y puede irradiar energía de frecuencia de radio, y si no se instala y emplea de conformidad con las instrucciones, puede causar interferencia dañina a las radiocomunicaciones. No obstante, no hay garantía de que no ocurrirá ninguna interferencia en cada instalación en particular. Si este equipo causa interferencia dañina en la recepción de radio o televisión, lo cual puede determinarse apagando y luego encendiendo el equipo, se exhorta al usuario a tratar de corregir la interferencia tomando una o más de las siguientes medidas:

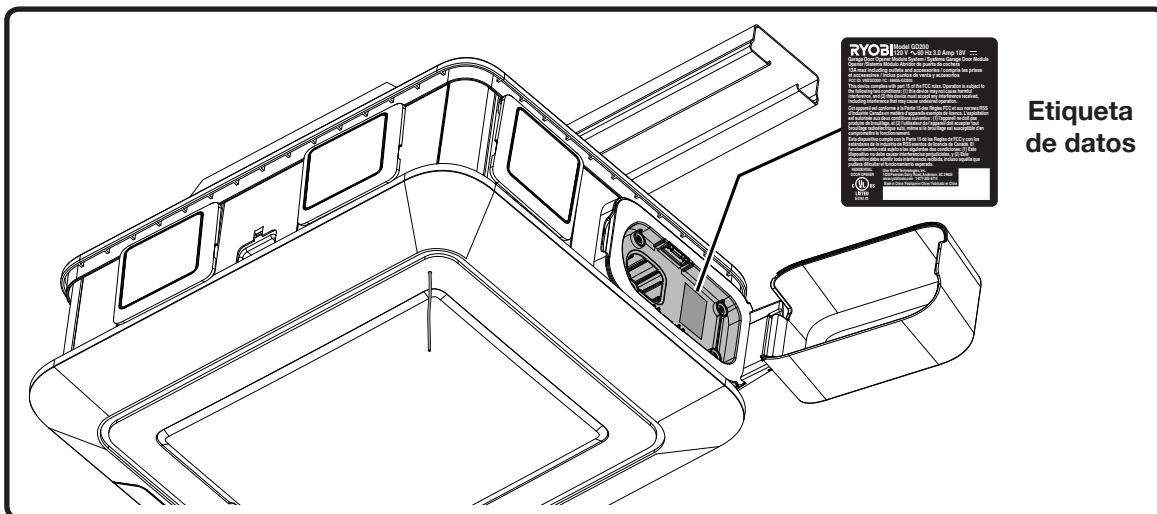
- Cambiar la orientación o ubicación de la antena receptora.
- Aumentar la separación entre el equipo y el aparato receptor.
- Conectar el equipo en una toma de corriente de un circuito diferente al que esté conectado el aparato receptor.
- Consultar al concesionario o a un técnico experimentado de radio y TV para que le brinden ayuda.

Este dispositivo cumple con la(s) norma(s) RSS de exención de licencia de Innovation, Science and Economic Development Canada. El funcionamiento queda sujeto a las dos siguientes condiciones: (1) este dispositivo no deberá causar interferencia, y (2) este dispositivo deberá aceptar cualquier interferencia, incluso la interferencia que podría causar la operación indeseada del dispositivo. Este dispositivo cumple con las norma RSS 247 de Innovation, Science and Economic Development Canada. El funcionamiento tiene como condición que el dispositivo no cause interferencia dañina. Este aparato digital de clase B cumple con la norma ICES-003 canadiense. (Cet appareil canadien ne é à amérique de la classe b de la norme NMB - conformes 003 du Canada).

Este equipo cumple con los límites de exposición a la radiación FCC establecidos para un entorno no controlado. Este equipo se debe instalar y operar con una distancia mínima de 20 cm entre el elemento radiante y el cuerpo de la persona. Este transmisor no se debe ubicar junto o hacer operar en conjunto con cualquier otra antena o transmisor.

Según las regulaciones de Industria de Canadá, este transmisor de radio únicamente puede funcionar con una antena de un tipo y una ganancia máxima (o menor) para el transmisor aprobada por Industria de Canadá. Para reducir una potencial interferencia de radio a otros usuarios, el tipo de antena y su ganancia se deben elegir de forma tal que la potencia isotrópica radiada equivalente (p.i.r.e.) no exceda la necesaria para establecer la comunicación.

Para obtener información adicional sobre FCC, consulte la etiqueta de datos ubicada dentro del compartimiento de las baterías.





OPERATOR'S MANUAL / GD200A GARAGE DOOR OPENER
MANUEL D'UTILISATION / OUVRE-PORTE DE GARAGE DE GD200A
MANUAL DEL OPERADOR / SISTEMA DE APERTURA PARA PORTÓN DE GARAJE DE GD200A



To request service or purchase replacement parts:

Visit **www.ryobitools.com** or call **1-877-205-5714**

If any parts or accessories are damaged or missing,
do not return this product to the store. Call **1-877-205-5714** for immediate service.

Please obtain your model and serial number from the product data plate.

MODEL NUMBER _____ SERIAL NUMBER _____

RYOBI is a registered trademark of Ryobi Limited and is used pursuant to a license granted by Ryobi Limited.

Pour faire une demande de réparations ou obtenir des pièces de rechange:

Visiter **www.ryobitools.com** ou en téléphonant au **1-877-205-5714**

Si des pièces ou accessoires sont manquantes ou endommagées, ne pas retourner
ce produit au magasin. Appeler immédiatement au **1-877-205-5714** pour obtenir de l'aide.

Inscrire les numéros de modèle et de série inscrits sur la plaque d'identification du produit.

NUMÉRO DE MODÈLE _____ NUMÉRO DE SÉRIE _____

RYOBI est une marque déposée de Ryobi Limited et est utilisée en vertu d'une licence accordée par Ryobi Limited.

Para obtener servicio o comprar piezas de repuesto:

Visite **www.ryobitools.com** o llame al **1-877-205-5714**

Si hay alguna pieza ou accesorios dañada o faltante, no devuelva este producto a la tienda.
Llame al **1-877-205-5714** para servicio técnico inmediato.

Obtenga su modelo y número de serie de la placa de datos del producto.

NÚMERO DE MODELO _____ NÚMERO DE SERIE _____

RYOBI es una marca registrada de Ryobi Limited y se utiliza conforme a una licencia otorgada por Ryobi Limited.

ONE WORLD TECHNOLOGIES, INC.

1428 Pearman Dairy Road, Anderson, SC 29625 • Phone 1-877-205-5714
États-Unis, Téléphone 1-877-205-5714 • USA, Teléfono 1-877-205-5714