

Platform Bed

Contains One (1) Bed and Hardware

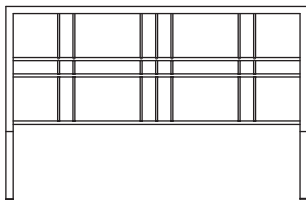
IMPORTANT NOTE:

Carefully remove all the parts from the box. Arrange on a flat surface and verify you have all of the following parts and hardware.

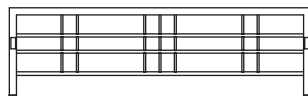
SIZE: QN, DB

PARTS LIST

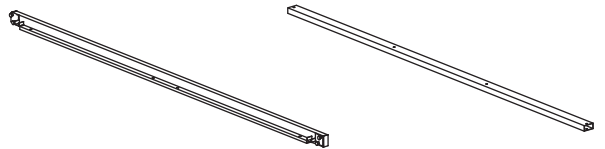
A. Headboard
(1 pc)



B. Footboard
(1 pc)

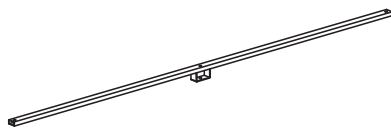


C. Siderail
(2 pcs)



D. Center Support
(1 pc)

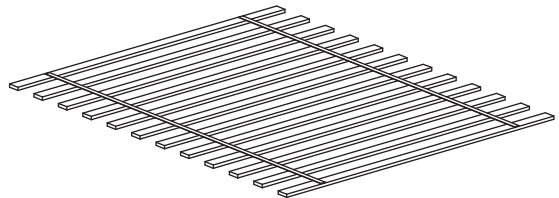
E. Crossbar
(2 pcs)



F. Support Leg
(4 pcs)



G. Wood Slat System
(1 pc)

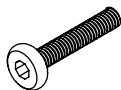


HARDWARE LIST

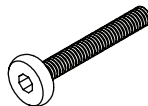
H. 20mm Bolt
(4 pcs)



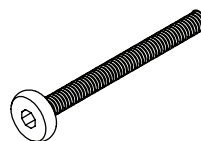
I. 25mm Bolt
(8 pcs)



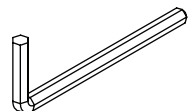
J. 40mm Bolt
(2 pcs)



K. 60mm Bolt
(2 pcs)

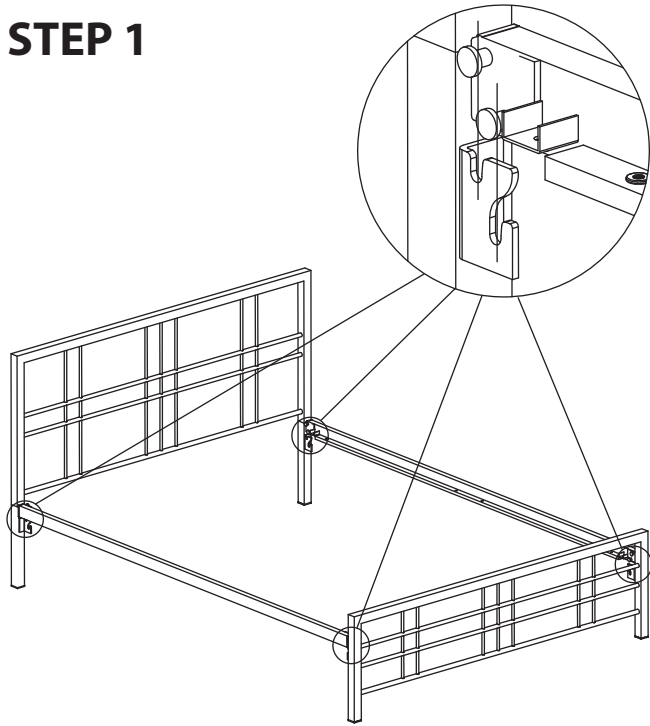


L. Hex Key
(1 pc)



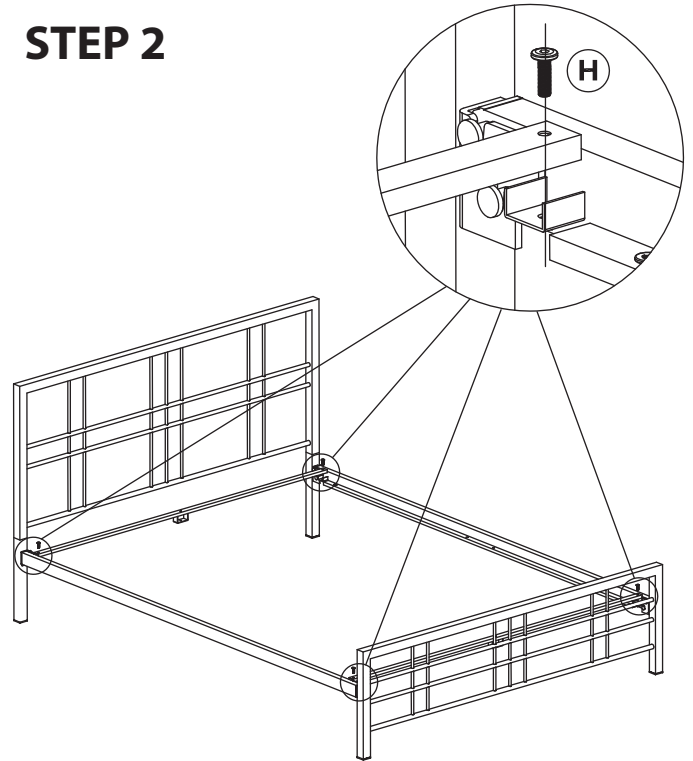
ASSEMBLY INSTRUCTIONS

STEP 1



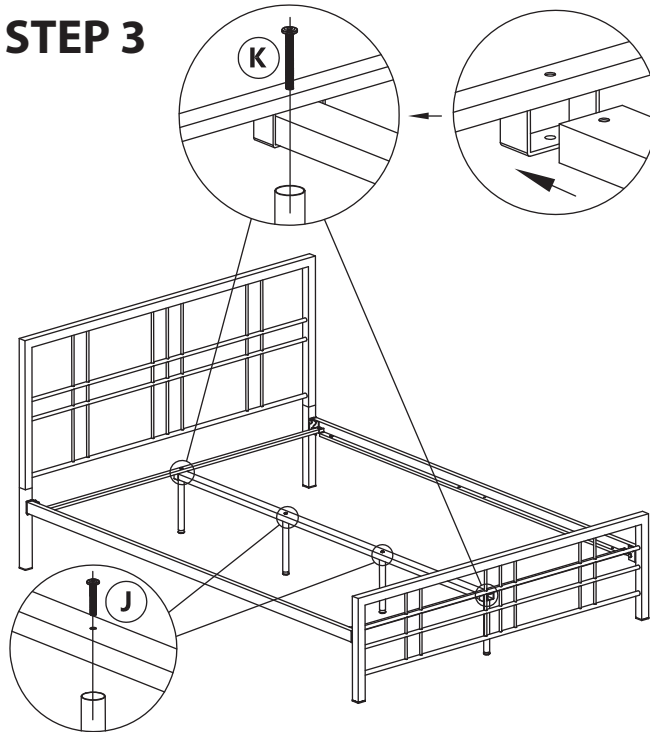
Attach the Siderails (Part C) to the Headboard (Part A) and Footboard (Part B) by inserting the bolts on the Siderails into the slots on the Headboard and Footboard.

STEP 2



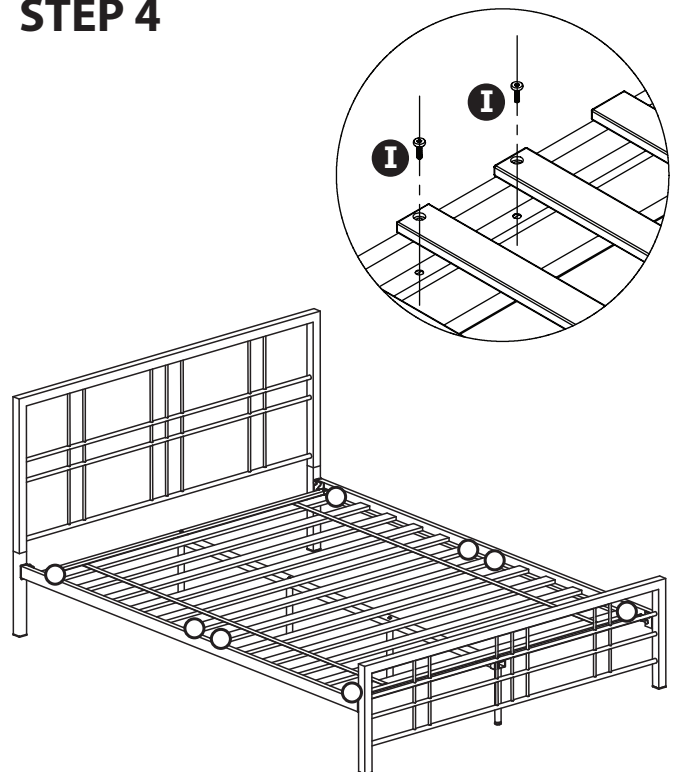
Attach the Crossbars (Part E) to the Siderails using two 20mm bolts (Part H) for each Crossbar.

STEP 3



Install the Center Support (Part D) by inserting one 60mm bolt (Part K) through the Crossbar and Center Support at both ends of the bed. Then screw the end of each 60mm bolt into a Support Leg (Part F). Attach the remaining two Support Legs to the Center Support using the 40mm bolts (Part J).

STEP 4



Roll out the Wood Slat System (Part G) and secure it in place using the eight 25mm bolts (Part I).