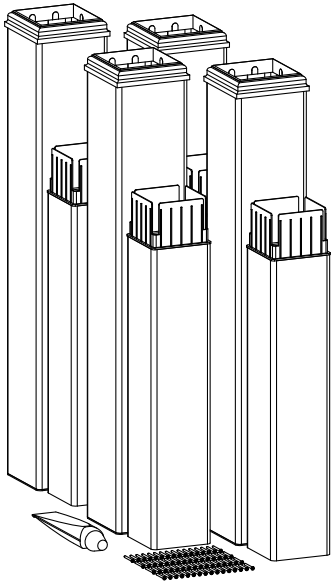
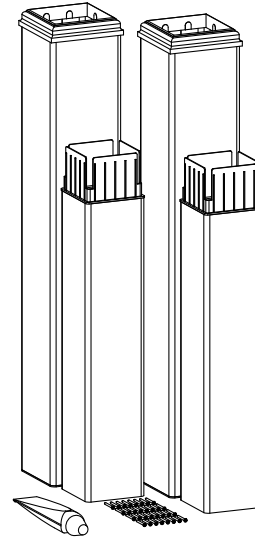


ASSEMBLY INSTRUCTIONS

Pergola Extension Kit



VA80350 - 4 Pack Pergola Extension Kit - White
VA84350 - 4 Pack Pergola Extension Kit - Composite



VA80352 - 2 Pack Pergola Extension Kit - White
VA84352 - 2 Pack Pergola Extension Kit - Composite

Please read through before starting installation.

Check Box for These Contents

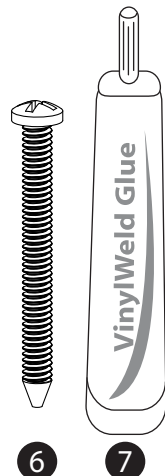
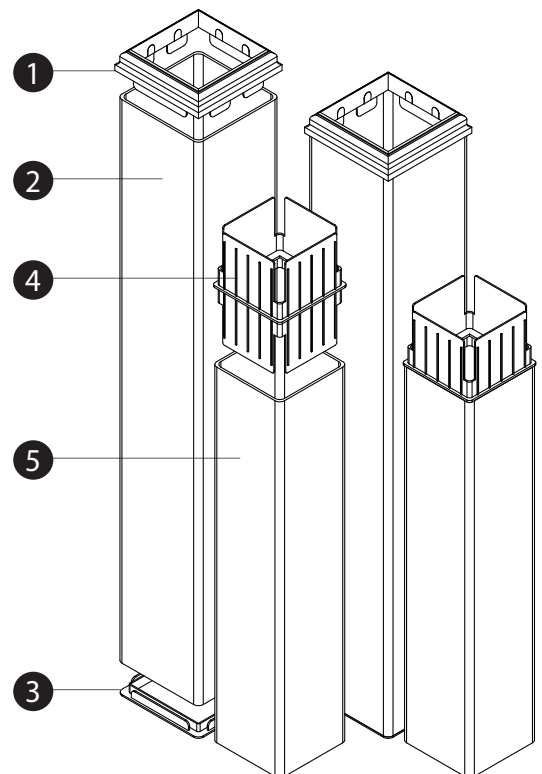
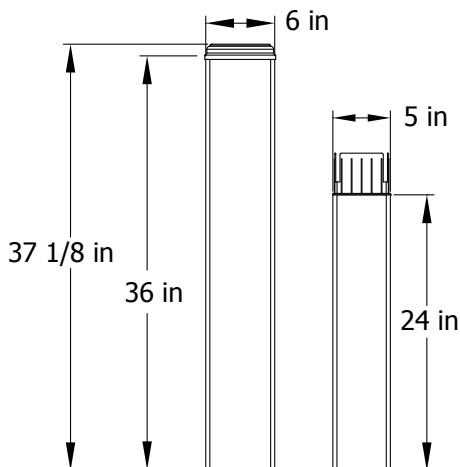
In the event of missing or defective parts please call our customer service department at 1 800 282 9346 (Mon. to Fri. 8:00 AM to 4:00 PM EST).

4 Pack Pergola Extension Kit

1. Top Trim Cap (4) White #10764 Composite #14055
2. Tall Extrusion (4) White #10175-1 Composite #14092 - 6" x 6" x 36"
3. Bottom Trim (4) White #10765 Composite #14057
4. Post Joiner (4) - White #10725-1 Composite #14052
5. Post Extension (4) - White #10254 Composite #14093 - 5" x 5" x 24"
6. 1 1/2" Pan Head Steel Screw (64) - White #20005 Composite #20031
7. Vinyl Glue (1) - White #20000 Composite #20022

2 Pack Pergola Extension Kit

1. Top Trim Cap (2) White #10764 Composite #14055
2. Tall Extrusion (2) White #10175-1 Composite #14092 - 6" x 6" x 36"
3. Bottom Trim (2) White #10765 Composite #14057
4. Post Joiner (2) - White #10725-1 Composite #14052
5. Post Extension (2) - White #10254 Composite #14093 - 5" x 5" x 24"
6. 1 1/2" Pan Head Steel Screw (32) - White #20005 Composite #20031
7. Vinyl Glue (1) - White #20000 Composite #20022



STEP ONE

Base Molding Assembly

1

Using the glue provided, run a small bead around the inside of the base molding extrusion.

2

Carefully place the bottom trim on one end of the base molding extrusion.

3

Run another bead of glue on the other (inside) end of the base molding extrusion.

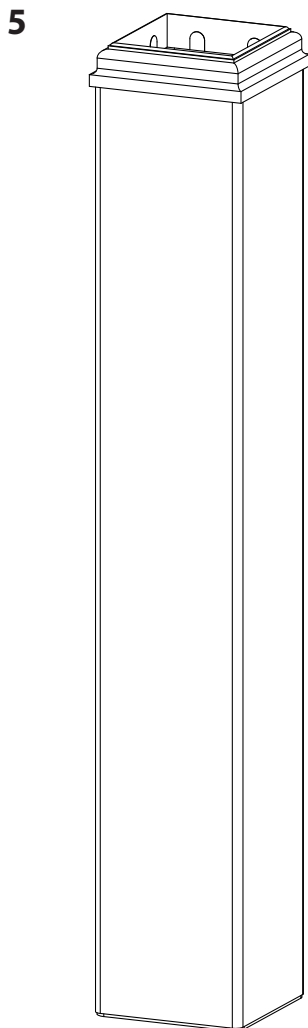
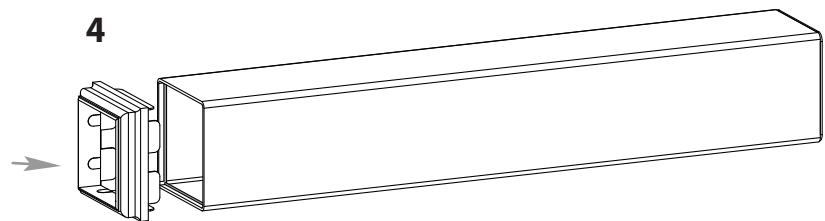
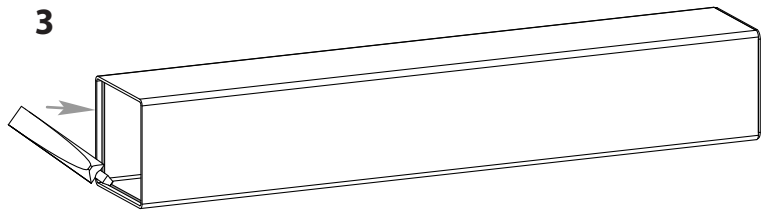
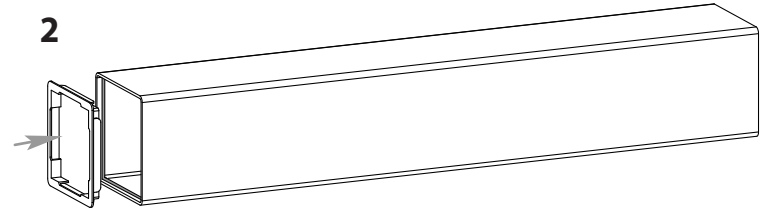
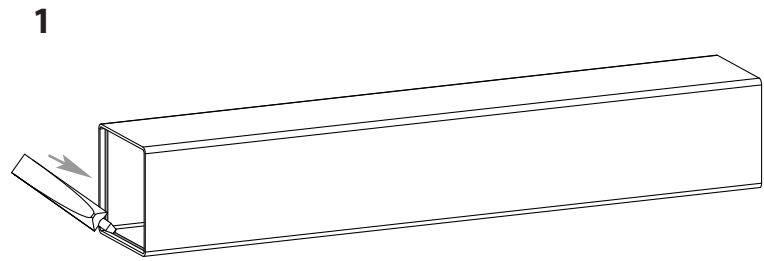
4

Carefully place the top trim cap on the base molding extrusion.

5

Repeat for all base moldings.

Note: Please allow the glue to set for 15 minutes prior to installing the base molding on the pergola.



STEP TWO

Post Extension Assembly

1

Using the glue provided, run a small bead around the inside of the Post Extension as shown.

2

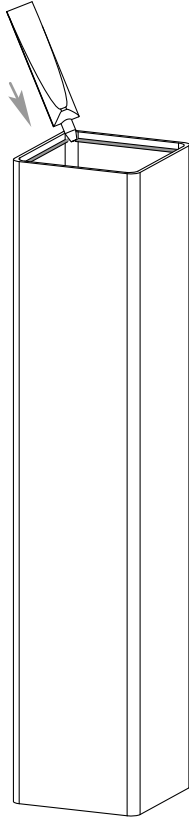
Carefully place the post joiner in the post extension.

3

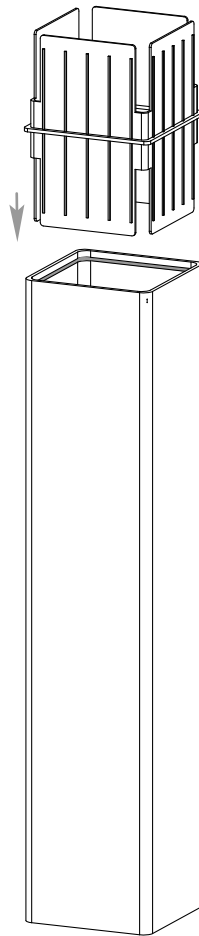
Repeat for all Post Extensions.

Note: Please allow the glue to set for 15 minutes prior to installing the post extension on the pergola.

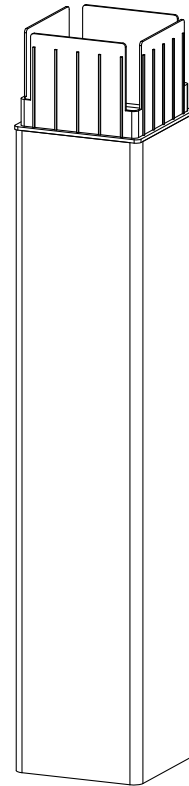
1



2



3



STEP THREE

Post Extension Installation

1

Identify the bottom of the pergola post; in most cases, the top of the pergola post will have pre-routed holes.

2

Slide the base molding assembly over the pergola post through the bottom side as shown.

3

Apply a bead of glue to the (bottom) inside of the pergola post.

4

Insert the post extension assembly from the previous step.

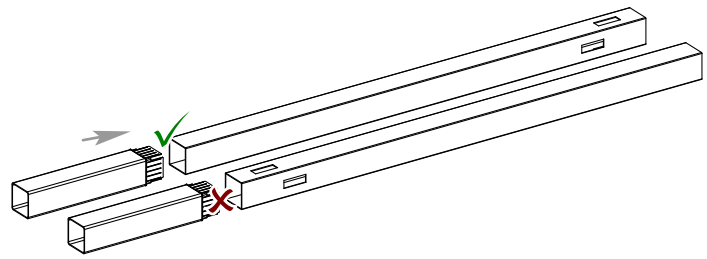
5

After installing the pergola post (with extension) over the wooden post, fasten the post extension to the wooden post using sixteen screws provided. Screws should be roughly 1 in above and 1 in below the seam of the post joiner. Keep the screws within the 3" center of the column to allow the base mold to slide over them. (see illustration).

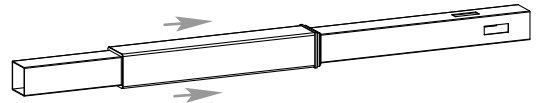
6

Lower the base molding to cover the post extension.

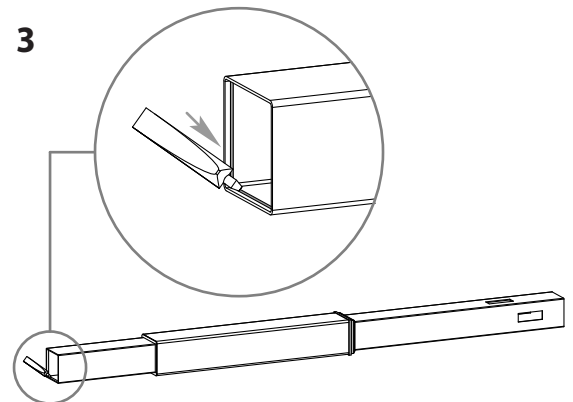
1



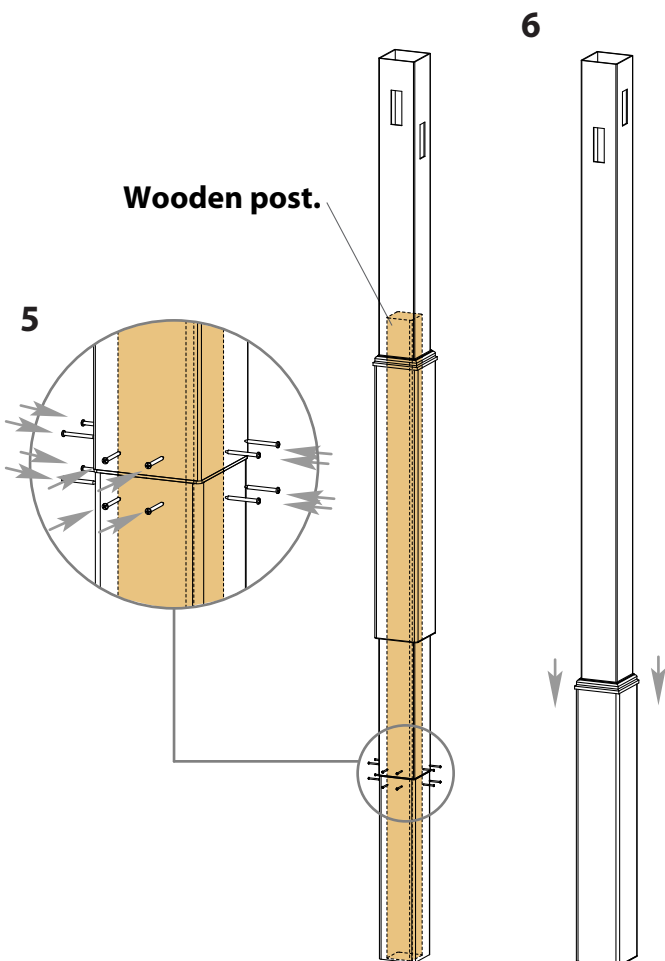
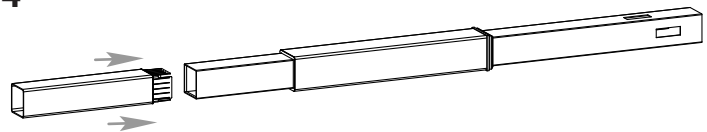
2



3



4



Notes:

1. Ideally the post extension should be installed *before* the pergola posts are installed.
2. This extension is designed to extend the pergola posts by 24"; if a shorter height is desired, the post extension (part#5) can be cut down to accommodate a shorter extension. Use a fine-tooth blade saw.
3. Typically the wooden post should also be extended by the same height as the post extension.