



**LUCCI
AIRFUSION TYPE A
DC CEILING FAN**

- **INSTALLATION**
- **OPERATION**
- **MAINTENANCE**
- **WARRANTY INFORMATION**

CAUTION
**READ INSTRUCTIONS CAREFULLY FOR SAFE
INSTALLATION AND FAN OPERATION.**



CONGRATULATIONS ON YOUR PURCHASE

Congratulations on purchasing the latest in energy saving ceiling fans. This fan runs on DC (direct current) power which gives it the benefit of being super energy efficient whilst still maintaining high volume air-movement and silent operation.

Energy Saving - The DC motor is the latest technology in fan design. Its highly efficient motor saves up to 65% more energy than ceiling fans with traditional AC motors.

Silent operation – This DC fan motor is programmed with a stabilised current which efficiently reduces motor noise.

Low operating temperature – The DC power is managed effectively which brings down the motor operating temperature to less than 50°C. This results in a much cooler motor than a standard AC fan and increases the longevity of the motor.

6 speed remote control - Regular AC ceiling fans usually come with only 3 speeds, this DC fan comes complete with a 6 speed remote, which gives greater choice of comfort levels.

SAFETY PRECAUTIONS

Read and Save These Instructions

This product conforms to UL standard 507.

1. **WARNING** -To avoid possible electrical shock, before installing or servicing your fan, disconnect the power by turning off the circuit breaker of the fuse box to the outlet box.
2. **WARNING** - To reduce the risk of fire, electric shock, or personal injury, mount to outlet box marked “acceptable for fan support of 35 lbs (15.9 kg) or less” and use the mounting screws provided with the outlet box and/or support directly from building structure. Most outlet boxes commonly used for the support of luminaires may not be acceptable for fan support and may need to be replaced. Consult a qualified electrician if in doubt.
3. **WARNING** - To reduce the risk of fire or electric shock, do not use this fan with any solid-state speed control device.
4. **WARNING** - To reduce the risk of personal injury, do not bend the blade brackets when installing the blade brackets balancing the blades, or cleaning the fan. Do not insert foreign objects in between rotating fan blades.
5. **CAUTIONS** - All wiring must be in accordance with the National Electrical Code (ANSI/NFPA 70) and local electrical codes. Electrical installation should be performed by a qualified licensed electrician.
6. To reduce the risk of injury to person, the fan must be mounted with a minimum of 7 feet clearance from the bottom edge of the blades to the floor.
7. After marking electrical connections, spliced conductors should be turned upward and pushed carefully up into the outlet box. The wires should be spread apart with the grounded conductor and the equipment-grounding conductor on one side of the outlet box.
8. This equipment has been tested and found to comply with the limits for a Class B digital device, pursuant to part 15 of the FCC rules. These limits are to provide reasonable protection against harmful interference in a residential installation. This equipment generates, uses and can radiate radio frequency energy and if not installed and used in accordance with the instructions may cause harmful interference to radio communications.

PARTS LIST

Unpack your fan and check the contents. You should have the following:

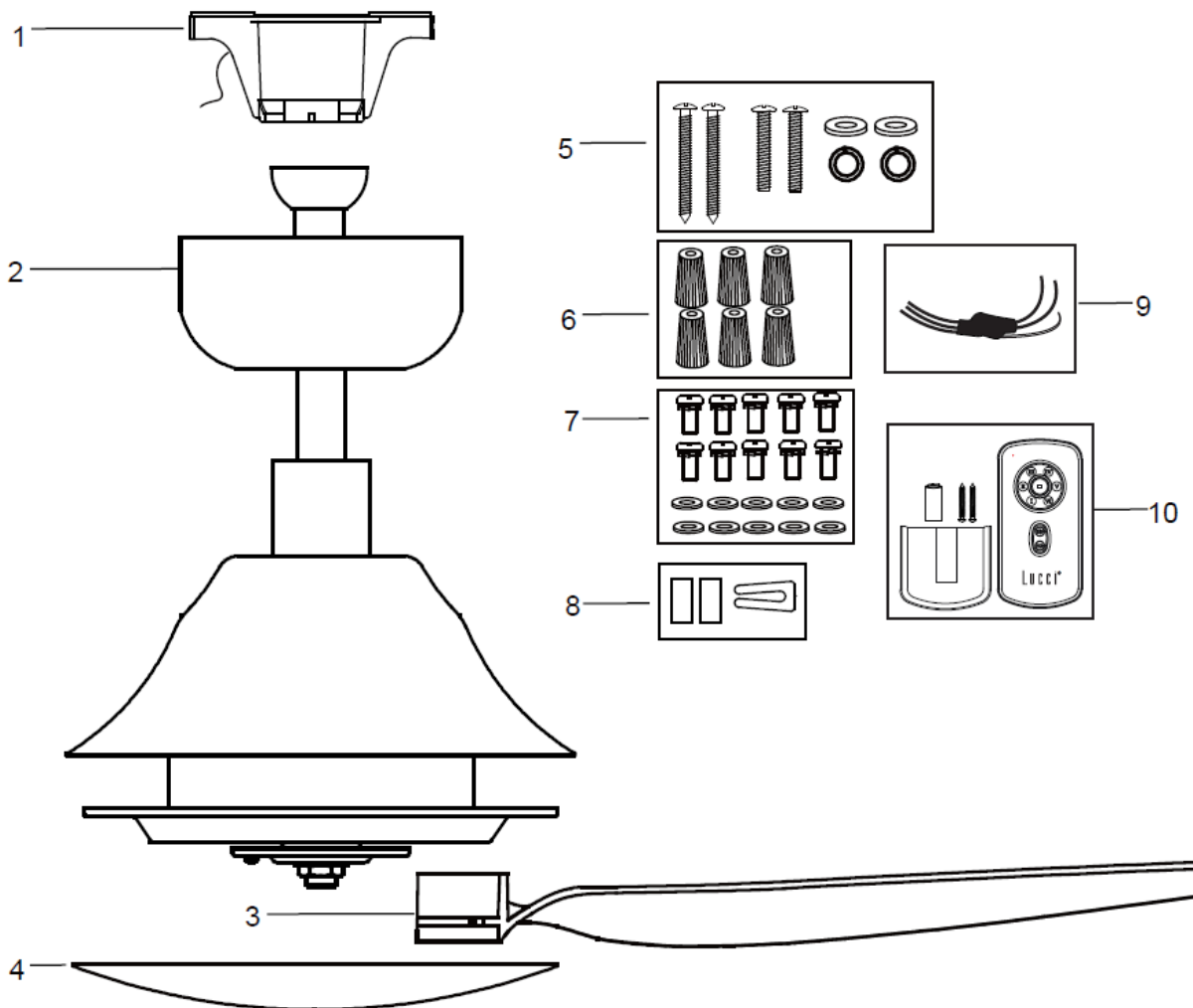


Fig. 1

- | | |
|--|---|
| 1. Mounting bracket x 1 | 6. Wire nut x 6 |
| 2. Fan assembly with hanger cover, down rod, and canopy x 1 | 7. Motor screw with washer x 9 |
| 3. Blade x 3 | 8. Balancing kits x 1 set |
| 4. Bottom cover x 1 | 9. EMI filter x 1 |
| 5. <ul style="list-style-type: none"> • Wood screw x 2 • Machine screw x 2 • Flat washer x 2 • Spring washer x 2 | 10. Remote transmitter with holder x 1 set
(12V 23AE Battery included) |

INSTALLING THE MOUNTING BRACKET

If there isn't an existing outlet box, then install one using the following instructions:

- Disconnect the power by removing the fuses or turning off the circuit breakers.
- Secure the outlet box (A) (not included) directly to the building structure. Use appropriate fasteners and materials (not included). The outlet box and its bracing must be able to fully support the weight of the moving fan (at least 35 lbs). Do not use a plastic outlet box.
- Figures below show three different ways to mount the outlet box (A) (not included).

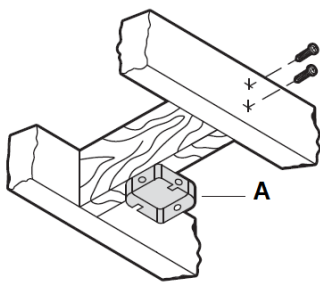


Fig. 2

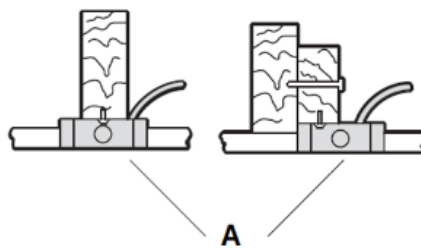


Fig. 3

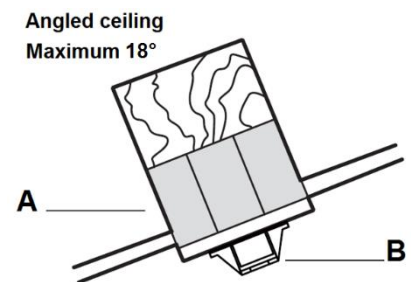


Fig. 4

This fan hanging system supports a maximum 18 degree angled ceiling installation. **Fig. 4**

NOTE: If you are installing the ceiling fan on a sloped ceiling, you may need a longer downrod to maintain proper clearance between the tip of the blade and the ceiling.

NOTE: The ceiling fan must be installed in a location so that the blades are spaced 300mm from the tip of the blade to the nearest objects or walls.

NOTE: For angled ceiling installation, the opening of the mounting bracket (B) must be pointed toward the peak.

To hang your fan where there is an existing fixture but no ceiling joist, you may need an installation hanger bar (C) as shown in **Fig.5**. Make sure the hanger bar you purchase has been designed for use with ceiling fans.

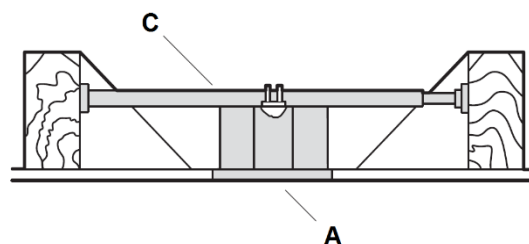


Fig. 5

HANGING THE FAN

Pass the power supply wires (C) from the ceiling outlet box (B) through the center of the ceiling mounting bracket (D). Install the ceiling mounting bracket (D) on the outlet box (B) with the mounting screws (F) provided with the outlet box and washers (E) provided with fan. **Fig. 6**

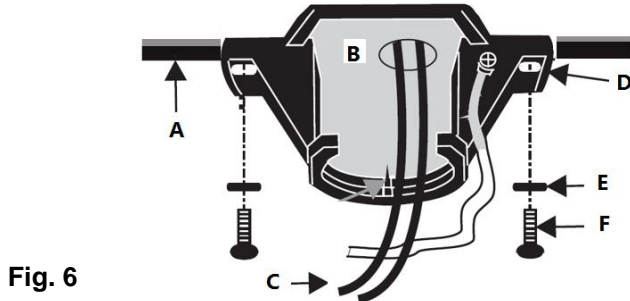


Fig. 6

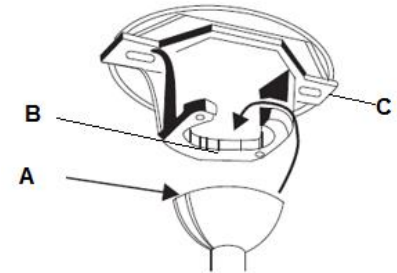


Fig. 7

Lift the fan assembly onto the mounting bracket. Ensure the registration slot (A) of the hanger ball is positioned on the stopper (B) of the mounting bracket (C) to prevent the fan from rotating when in operation. **Fig.7**

ELECTRICAL WIRING DIAGRAM

WARNING: To avoid possible electrical shock, be sure you have turned off the power at the main circuit panel. Follow the steps below to connect the fan to your household wiring. Use the wire connecting nuts supplied with your fan. Secure the connectors with electrical tape. Make sure there are no loose wire strands or connections.

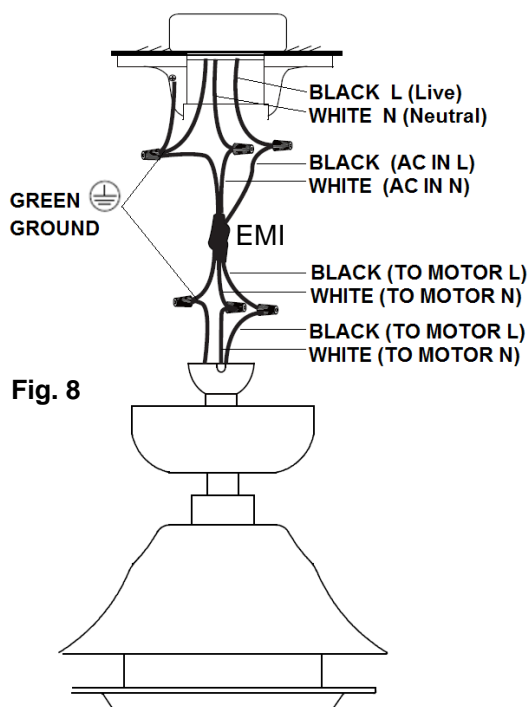


Fig. 8

1. Connect the household live supply wire (black) to EMI filter input wire (black, AC IN L) as shown in **Fig. 8**.
2. Connect the household neutral supply wire (white) to the EMI filter input wire (white, AC IN N).
3. Connect the household ground wire to the fan bracket ground wire (green) and EMI filter ground wire.
4. Connect the EMI filter output wire (black, TO MOTOR L) to motor live input wire (black, TO MOTOR L).
5. Connect the EMI filter output wire (white, TO MOTOR N) to motor neutral input wire (white, TO MOTOR N).
6. Connect the EMI output ground wire to fan body ground wire.
7. After connecting the wires, spread them apart so that the green and white wires are on one side of the outlet box and the black and blue wires are on the other side.
8. Turn the connecting nuts upward and push the wiring into the outlet box.

FINISHING THE INSTALLATION

INSTALLING THE CANOPY

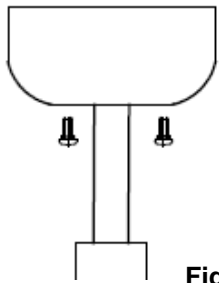


Fig. 9

1. Loosen the 2 screws from the bottom of the mounting bracket.
2. Slide the canopy up to the mounting bracket and place the key hole on the canopy over the screw on the mounting bracket, turn the canopy until it locks in place at the narrow section of the key holes and secure it by tightening the two set screws. Avoid damaging the electrical wiring prepared previously.

BLADE INSTALLATION

1. Insert the blade screws through the blade then secure the blade to the motor by tightening the 3 screws. **Fig.10**
2. Repeat this process to install the other blades to the motor.
3. Finally install the bottom cover to the shaft by rotating it clockwise. **Fig. 11**

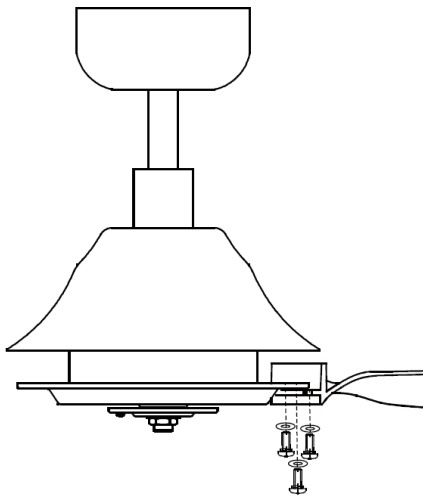


Fig. 10

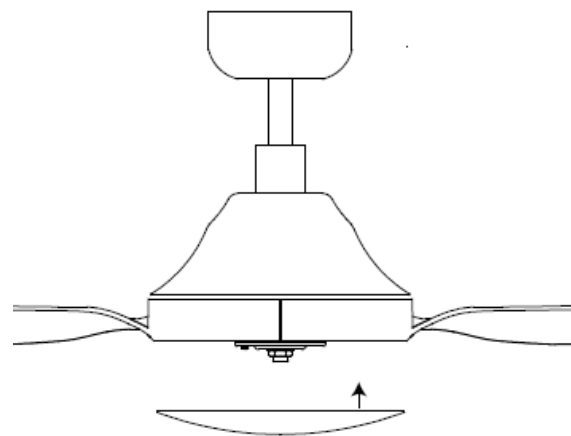


Fig. 11

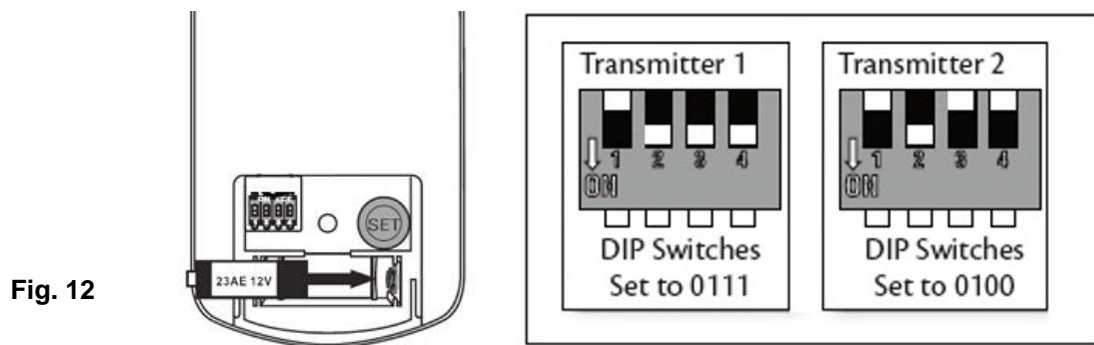
USING YOUR CEILING FAN

Pairing Transmitter and Receiver

NOTE: Ensure that you have installed a single pole disconnection switch in the fixed wiring for each fan.

NOTE: Ensure power to the receiver is ON prior to pairing the transmitter with the receiver.

- Turn OFF the mains supply to the receivers of the ceiling fan.
- Install the 12V DC battery in the compartment. Please make sure the polarity of the battery is correct.
Fig.12
- Turn on the power to **fan**.
- Press and hold the “SET” button of **transmitter** for 3-5 seconds within 60 seconds of switching the power ON to the receiver of ceiling fan.
- Turn ON and change the speed of the ceiling fan by the transmitter to check the operation and successful pairing.



Pairing Transmitter and Receiver – when 2 or more DC ceiling fans are installed in one location

When two or more fans are located near each other, you may want to have the receiver/transmitter for each fan set to a different code, so that the operation of one fan does not affect the operation of the other fan/s.

The DIP switches for the transmitter (remote hand piece) are located in the battery compartment of the transmitter. Configuring the DIP switches will allow a unique transmission code assigned to each fan ceiling.

Transmitter / Receiver pairing for Ceiling fan 1:

- Turn OFF the mains supply to the receivers of both ceiling fans 1 and 2.
- Install the 12V DC battery in the compartment. Please make sure the polarity of the battery is correct.
Fig.12
- Change the position of the DIP switches in the transmitter 1, so that it will be different to transmitter 2.
- Turn on the power to receiver 1. Keep the power OFF to receiver 2. (Each ceiling fan must have its own isolation switch, so that only the ceiling fan that needs to be paired with the transmitter will be ON).

Type A Installation Instructions

- Press and hold the “SET” button of **transmitter 1** for 3-5 seconds within 60 seconds of switching the power ON to the receiver of ceiling fan 1.
- Turn ON and change the speed of the ceiling fan 1 by the transmitter 1 to check the operation and successful pairing.

Transmitter / Receiver pairing for Ceiling fan 2:

- Turn off the mains supply to the receivers of both ceiling fans 1 and 2.
- Install the 12V DC battery in the compartment. Please make sure the polarity of the battery is correct.

Fig.12

- Change the position of the DIP switches in the transmitter 2, so that it will be different to transmitter 1.
- Turn on the power to receiver 2. Keep the power OFF to receiver 1. (Each ceiling fan must have its own isolation switch, so that only the ceiling fan that needs to be paired with the transmitter will be ON).
- Press and hold the “SET” button of **transmitter 2** for 3-5 seconds within 60 seconds of switching the power ON to the receiver of ceiling fan 2.
- Turn ON and change the speed of ceiling fan 2 by the transmitter 2 to check the operation and successful pairing.

Remote Control Buttons

A - FAN SPEED CONTROL BUTTONS:

There are 6 available speeds. “I” button is for the lowest speed, and “VI” button is for the fastest speed.

NOTE: when you turn on the fan for the first time or switch the main power to the controller, you need to start the fan on high “VI” speed first and then choose a lower speed. 5-10 seconds is required to allow the DC fan to respond to the remote for each speed or fan direction selections.

B - FAN OFF BUTTON:

Press the button to turn the fan OFF.

C - REVERSE FUNCTION BUTTON:

Press the button to activate the reverse running function. The fan must be operating to activate the reverse function.

D - LIGHT CONTROL BUTTON: (Light kit sold separately)

Press the button to turn the light ON/OFF.

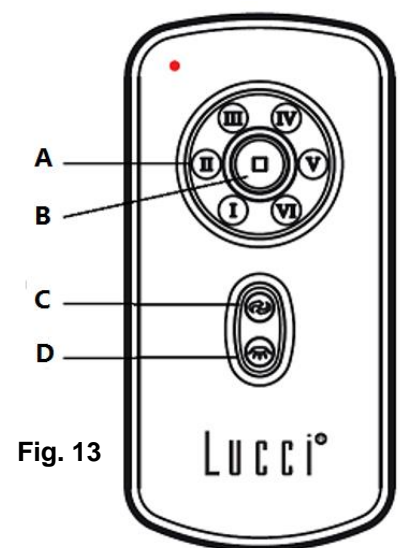


Fig. 13

NOTE: When the fan can NOT detect the rotary redirection it will stop, just press the “■” fan off button twice to activate the fan again.

THE RECEIVER PROVIDES THE FOLLOWING LEVEL OF PROTECTION:

- Lock position: the receiver has a built in safety feature to protect against obstruction during operation. The motor will be locked from operation and will disconnect from power after 30 seconds of interruption. Please remove obstacles before re-starting. To reset, simply turn off the power supply to the fan motor and re-start.
- Over 80W protection: when the receiver detects power consumption which is greater than 80W, the receiver power will be stopped and operation will immediately discontinue. Turn the receiver power on after 5 seconds to restart the fan.

REPAIRING THE FAN RECEIVER & REMOTE PAIRING

Should the remote and receiver lose control after installation or during use, the pairing of the remote and the receiver must be repaired. Below are the operating symptoms and method to repair the pairing of the DC ceiling fan remote and receiver.

Issues:

- Loss of control - Fan is only running at high speed after installation
- Loss of control - No reverse function after installation
- Loss of control - Remote cannot communicate with receiver

Solution:

- A. Switch OFF the main power to the ceiling fan for 30 seconds.
- B. Press and hold the “SET” button on remote for 3-5 seconds within 60 seconds of switching the power ON to the receiver of the ceiling fan.
- C. Turn ON and change the speed of the ceiling fan via the transmitter to check the operation and successful pairing.

INSTALLING THE TRANSMITTER HOLDER

Remove the cover (A) from the holder (B). Attach the holder (B) with the two screws provided (C).

Replace the cover (A) into holder (B). **Fig. 14**

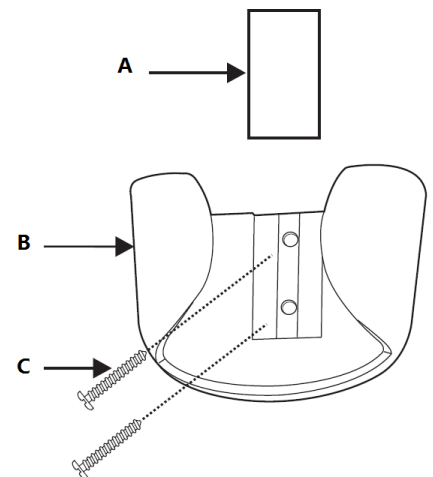


Fig. 14

AFTER INSTALLATION

WOBBLE:

NOTE: ceiling fans tend to move during operation due to the fact that they are mounted on a rubber grommet. If the fan was mounted rigidly to the ceiling it would cause excessive vibration. Movement of a few centimetres is quite acceptable and DOES NOT suggest any problem.

TO REDUCE THE FAN WOBBLE: Please check that all screws which fix the mounting bracket and down rod are secure.

BALANCING KIT: A balancing kit is provided to balance the ceiling fan on initial installation. Please refer to the instruction in the balancing kit bag on how to use the balancing kit. The balancing kit can be used to assist re-balancing should the ceiling fan become un-balanced again. Store your balancing kit away after installation for future use if required.

NOISE:

When it is quiet (especially at night) you may hear occasional small noises. Slight power fluctuations and frequency signals superimposed in the electricity for off-peak hot water control, may cause a change in fan motor noise. This is normal. Please allow a 24-hour “breaking-in” period, most noises associated with a new fan disappear during this time. All electric motors are audible to some extent. Please note that this is not a product fault, and as such is not covered under warranty.

CARE AND CLEANING:

- Periodic cleaning of your ceiling fan is the only maintenance required. Use a soft brush or lint free cloth to avoid scratching the paint finish. Please turn off electricity power when you do so.
- Do not use water when cleaning your ceiling fan. It could damage the motor or the blades and create the possibility of an electrical shock.
- The motor has a permanently lubricated ball bearing so there is no need to oil.

NOTE: Always turn OFF the power at the mains switch before attempting to clean your fan.

TECHNICAL INFORMATION

Fan Size	Speed	Volts (V)	Amps (A)	Watts (W)	RPM	CFM	CFM/W	N.W. (lbs)	G.W. (lbs)	C.F.
60"	Etra-High	120	0.43	30.87W	212	7738.33	250.67	15.7	19.7	2.5
	Medium High	120	0.21	15.19W	156	5751.74	378.65	15.7	19.7	2.5
	Low	120	0.05	2.14W	50	1655.43	773.56	15.7	19.7	2.5

These are approximate measurements. They do not include data for any lamps or fixtures attached to the ceiling fan.

WARRANTY

2 year warranty covers the entire fan. Please refer to warranty card for the details.



ENHORABUENA POR SU ADQUISICIÓN

Enhorabuena por la compra de lo último en ventiladores de techo de bajo consumo. Este ventilador utiliza una corriente CC (corriente continua) para conseguir un gran ahorro de energía y proporcionar un elevado volumen de desplazamiento de aire y una operación silenciosa.

Ahorro de energía - El motor CC incorpora la última tecnología en diseño de ventiladores. Su motor de alta eficiencia ahorra hasta un 65% más de energía que los ventiladores de techo tradicionales con motores CA.

Operación silenciosa - El ventilador con motor CC está programado con una corriente estabilizada que reduce el ruido del motor eficientemente.

Baja temperatura de funcionamiento - Gestión efectiva de la alimentación CC para rebajar la temperatura de funcionamiento a menos de 50 °C. Con esto se consigue un motor más frío que el de un ventilador CA estándar y se aumenta la longevidad del motor.

Mando a distancia con 6 velocidades - Los ventiladores CA normales solo disponen de 3 velocidades. Este ventilador CC incluye un mando a distancia con 6 velocidades que le proporciona más opciones en cuanto al nivel de confort.

MEDIDAS DE SEGURIDAD

Lea y guarde estas instrucciones

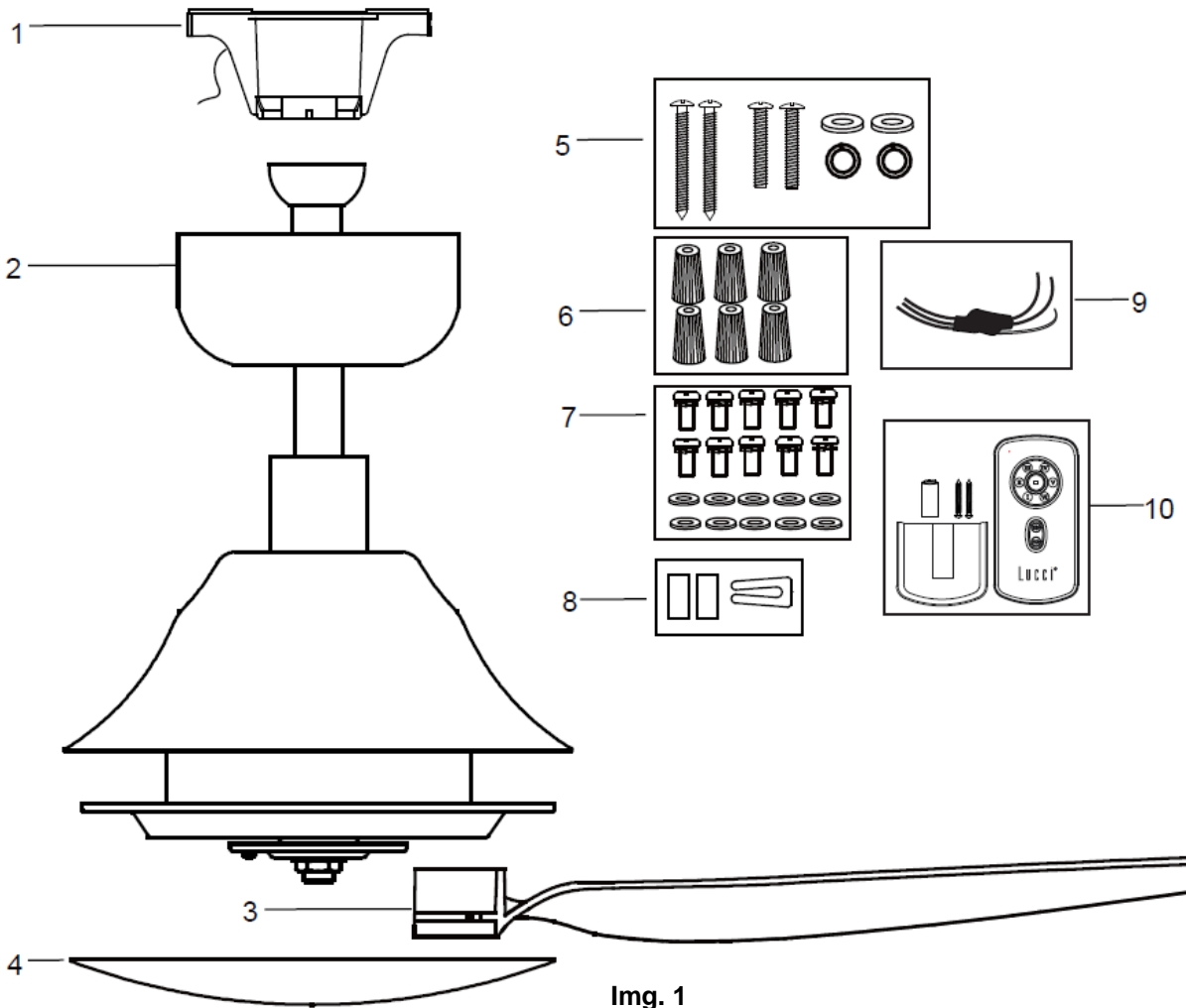
Este producto cumple con la norma 507 de UL.

1. **ADVERTENCIA** - Para evitar posibles descargas eléctricas, corte la corriente que va a la caja eléctrica desde el disyuntor o la caja de fusibles.
2. **ADVERTENCIA** - Para reducir el riesgo de incendio, descarga eléctrica o lesión, móntelo en una caja eléctrica clasificada como «Apropiada para sostener ventiladores de 35 lb (15,9 kg) o menos», y utilice los tornillos de montaje suministrados con la caja eléctrica y/o fíjelo directamente a la estructura del edificio. La mayoría de las cajas eléctricas utilizadas comúnmente para el soporte de alumbrados puede que no sean apropiadas para sostener el ventilador y deban ser reemplazadas. Consulte con un electricista cualificado en caso de duda.
3. **ADVERTENCIA** - Para reducir el riesgo de incendio o electrocución, evite utilizar el ventilador con un dispositivo semiconductor para el control de la velocidad.
4. **ADVERTENCIA** - Para reducir el riesgo de lesión, no doble los soportes de las aspas cuando los instale en el que equilibran las aspas, o cuando limpie el ventilador. No inserte objetos entre las aspas en rotación.
5. **PRECAUCIÓN** - Todo el cableado debe realizarse cumpliendo con el Código Eléctrico Nacional (ANSI/NFPA 70) y los reglamentos de electricidad locales. La instalación eléctrica debería efectuarla un electricista acreditado.
6. Para reducir el riesgo de lesiones a personas, el ventilador debe montarse dejando un espacio mínimo de 2,13 m desde el lado inferior de las aspas hasta el suelo.
7. Después de realizar las conexiones eléctricas, los conductores empalmados deben reorientarse hacia arriba y empujarse con cuidado hacia el interior de la caja eléctrica. Los cables deben quedar apartados, con el conductor de tierra y el conductor de tierra del dispositivo a un lado de la caja eléctrica.
8. Tras someterlo a una serie de pruebas, se ha constatado que este aparato cumple los límites exigidos para dispositivos digitales pertenecientes a la Categoría B, según lo establecido en la sección 15 de la legislación de la FCC. Estos límites están diseñados para proporcionar una protección razonable contra

interferencias en instalaciones residenciales. Este aparato genera, usa y puede irradiar energía en forma de radiofrecuencia. En caso de no ser instalado y utilizado de acuerdo con las instrucciones, podría causar interferencias en las comunicaciones de radio.

LISTA DE PIEZAS

Desembale el ventilador y compruebe el contenido. Debería incluirse lo siguiente:



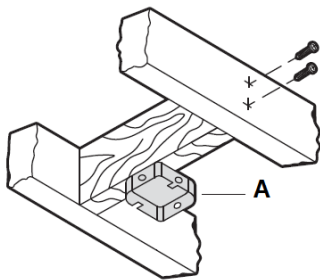
Img. 1

- | | |
|---|---|
| 1. Soporte mural x 1 | 6. Tuerca de alambre x 6 |
| 2. Conjunto de piezas del ventilador con embellecedor, tija y florón x 1 | 7. Tornillo del motor con arandela x 9 |
| 3. Aspa x 3 | 8. Kit de equilibrado x 1 set |
| 4. Cubierta inferior x 1 | 9. Filtro EMI x 1 |
| 5. <ul style="list-style-type: none"> • Tornillo para madera x 2 • Tornillo para metal x 2 • Arandela plana x 2 • Arandela de resorte x 2 | 10. Transmisor remoto con soporte x 1 set (batería 23AE de 12 V incluida) |

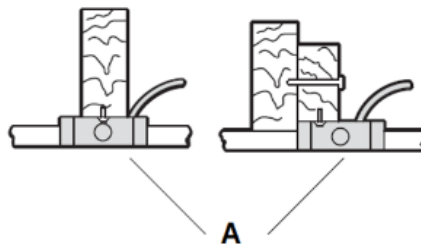
INSTALACIÓN DEL SOPORTE MURAL

Si no hay una caja eléctrica ya instalada, instale una siguiendo estas instrucciones:

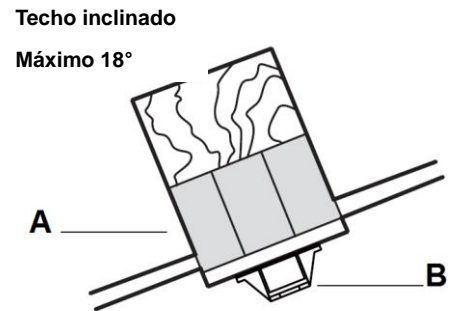
- Corte la corriente quitando los fusibles o bajando los disyuntores.
- Asegure la caja eléctrica (A) (no incluida) directamente a la estructura del edificio. Utilice los elementos y materiales de fijación apropiados (no incluidos). La caja eléctrica y su apuntalamiento deben ser capaces de soportar el peso del ventilador en movimiento (15,9 kg como mínimo). No utilice una caja eléctrica de plástico.
- Las imágenes más abajo muestran tres maneras diferentes de montar la caja eléctrica (A) (no incluida).



Img. 2



Img. 3



Img. 4

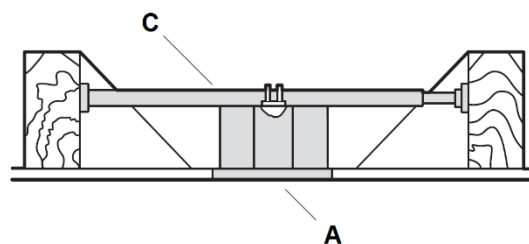
Este ventilador con sistema colgante puede ser instalado en un techo con una inclinación máxima de 18 grados. **Img. 4**

NOTA: Si está instalando el ventilador en un techo inclinado, puede que sea necesario utilizar una tija más larga para mantener el espacio necesario entre el extremo del aspa y el techo.

NOTA: El ventilador de techo debe instalarse en un lugar donde los extremos de las aspas queden a 300 mm como mínimo de las paredes y otros objetos.

NOTA: Para la instalación en techos inclinados, la abertura del soporte del ventilador (B) debe apuntar hacia el pico del techo.

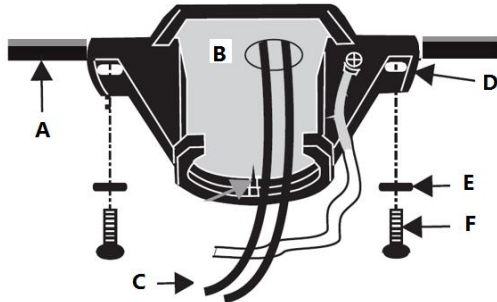
Para colgar su ventilador donde ya haya un elemento de instalación pero sin vigas, puede que necesite instalar una barra para colgar (C) como la mostrada en la imagen 5. Asegúrese de que la barra de colgar que adquiera haya sido diseñada para usarse con ventiladores de techo.



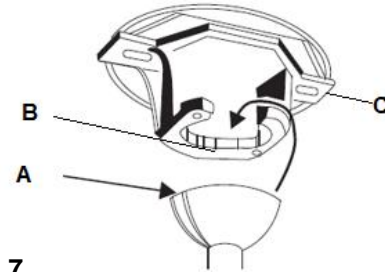
Img. 5

CÓMO COLGAR EL VENTILADOR

Pase los cables de la corriente (C) de la caja eléctrica (B) por el centro del soporte del ventilador (D). Instale el soporte del ventilador (D) a la caja eléctrica (B) con los tornillos (F) incluidos con la caja eléctrica y las arandelas (E) incluidas con el ventilador. **Img. 6**



Img. 6



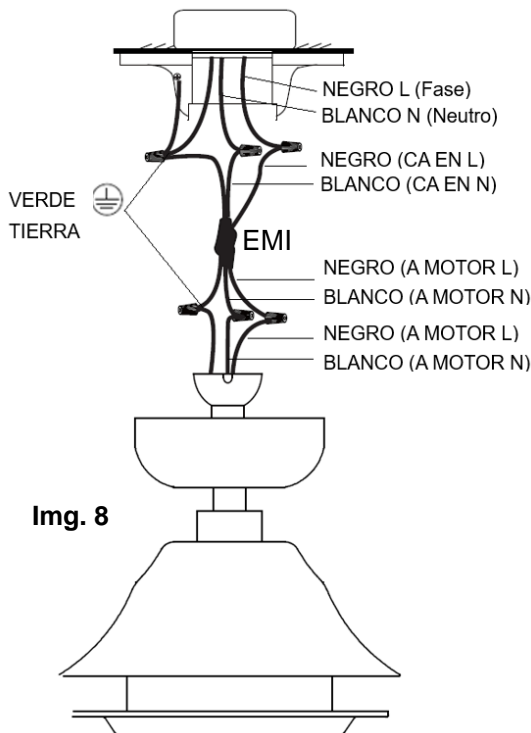
Img. 7

Levante el conjunto del ventilador y cuélguelo en el soporte del ventilador. Asegúrese de que la ranura de registro (A) de la bola de la tija esté posicionada sobre el tope (B) del soporte del ventilador (C) para que el ventilador no pueda girar cuando esté funcionando. **Img. 7**

DIAGRAMA DE CONEXIONES ELÉCTRICAS

ADVERTENCIA: Para evitar posibles descargas eléctricas, asegúrese de que la corriente esté cortada en el cuadro de distribución.

Siga los pasos siguientes para conectar el ventilador al cableado residencial. Utilice las tuercas de alambre incluidas con su ventilador. Asegure los conectores con cinta aislante. Asegúrese de que no haya hilos de cable o conexiones sueltos.



Img. 8

1. Conecte el cable de fase de la residencia (negro) al cable de entrada del filtro EMI (negro, CA EN L) como muestra la **Img. 8**.
2. Conecte cable neutro de la residencia (blanco) al cable de entrada del filtro EMI (blanco, CA EN N).
3. Conecte el cable de tierra doméstico al cable de tierra del soporte del ventilador (verde) y al cable de tierra del filtro de EMI.
4. Conecte el cable de salida del filtro EMI (negro, A MOTOR L) al cable de entrada de fase (negro, A MOTOR L).
5. Conecte el cable de salida del filtro EMI (blanco, A MOTOR N) al cable de entrada de neutro (blanco, A MOTOR N).
6. Conecte el cable de tierra de salida de EMI al cable de tierra del cuerpo del ventilador.
7. Tras conectar los cables, apártelos unos de otros de manera que los cables verdes y blancos queden a un lado de la caja eléctrica y los cables negro y azul queden al otro lado.
8. Oriente las tuercas de alambre hacia arriba y empuje los cables hacia el interior de la caja eléctrica.

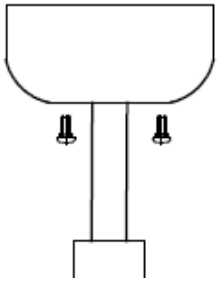
CÓMO FINALIZAR LA INSTALACIÓN**INSTALACIÓN DEL FLORÓN**

Fig. 9

1. Afloje los 2 tornillos de la parte inferior del soporte mural.
2. Deslice el florón hacia arriba al soporte mural y coloque el orificio del florón sobre el tornillo del soporte mural, gire el florón hasta que quede bloqueado en su sitio en la sección estrecha de los orificios y fíjelo apretando los dos tornillos de fijación. Procure no dañar los cables eléctricos empalmados en los pasos anteriores.

INSTALACIÓN DE LAS ASPAS

1. Inserte los tornillos del aspa a través del aspa y, a continuación, fije el aspa al motor apretando los 3 tornillos. **Fig. 10**
2. Repita este proceso para instalar las aspas restantes en el motor.
3. Por último, instale la tapa inferior en el eje girándola en el sentido de las agujas del reloj. **Fig. 11**

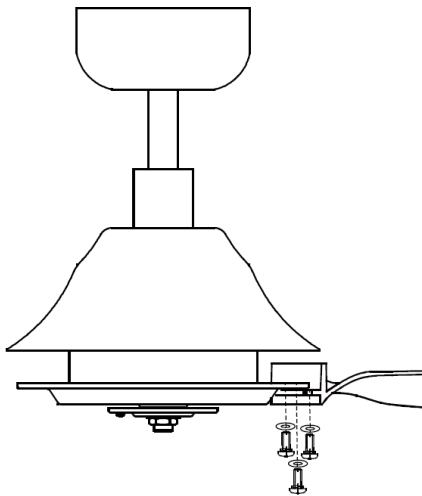


Fig. 10

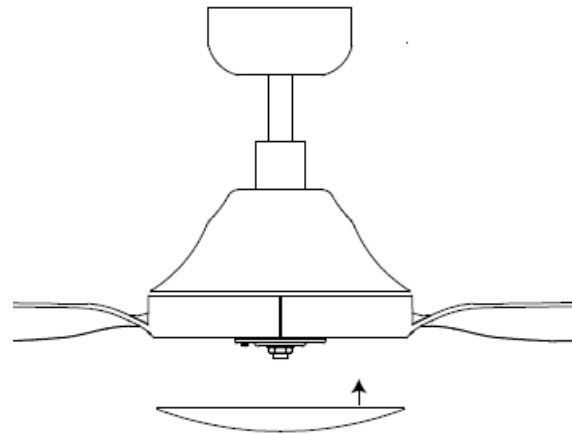


Fig. 11

MODO DE EMPLEO DEL VENTILADOR DE TECHO

Emparejamiento del transmisor y el receptor

NOTA: Asegúrese de haber instalado un seccionador unipolar en el cableado fijo para cada ventilador.

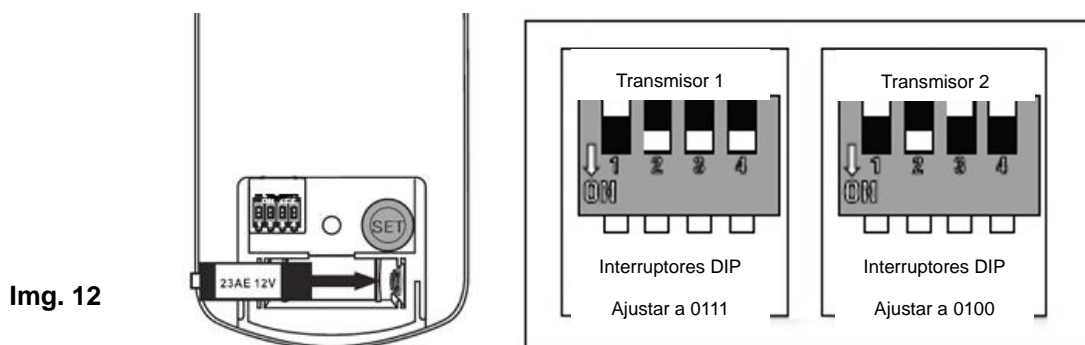
NOTA: Asegúrese de que el receptor esté encendido antes de emparejar el transmisor con el receptor.

- Desconecte la corriente de los receptores del ventilador de techo.
- Instale la batería de 12 V CC en el compartimento. Asegúrese de instalarla con la polaridad correcta. **Fig. 12**
- Conecte la corriente del ventilador.
- Pulse y mantenga presionado el botón "SET" del **transmisor** durante 3 a 5 segundos dentro de los 60 segundos posteriores al encendido del receptor del ventilador de techo.

El ventilador se moverá ligeramente y se detendrá para indicar que el proceso de emparejamiento se encuentra activado.

Si el ventilador lleva instalado el kit de luz, la luz parpadeará para indicarle que el proceso de emparejamiento está activado.

- Encienda el ventilador de techo y cambie su velocidad desde el transmisor para comprobar que está emparejado y funciona correctamente.



Emparejamiento del transmisor y el receptor - cuando hay dos o más ventiladores de techo CC instalados en un mismo lugar

Cuando hay dos o más ventiladores próximos, se recomienda ajustar el transmisor/receptor de cada ventilador con un código diferente, de manera que el funcionamiento de un ventilador no afecte el de otro.

Los interruptores DIP del transmisor (mando a distancia) están situados en el compartimento de las pilas del transmisor. La configuración de los interruptores DIP permitirá asignar un código único a cada ventilador de techo.

Emparejamiento del transmisor y el receptor del ventilador de techo 1:

- Desconecte la corriente de los receptores de los ventiladores 1 y 2.
- Instale una batería de 12V CC en el compartimento. Asegúrese de instalarla en el sentido correcto de la polaridad. **Img. 12**
- Cambie la posición de los interruptores DIP en el transmisor 1, de manera que sean diferentes a los del transmisor 2.

Type A Installation Instructions

- Vuelva a conectar la corriente en el receptor 1. Mantenga el receptor 2 sin corriente. (Cada ventilador de techo debe tener su propio seccionador, de manera que el ventilador de techo que necesite ser emparejado con el transmisor siga recibiendo corriente).
- En los 60 segundos siguientes a la conexión del receptor del ventilador de techo 1 a la corriente, pulse el botón «SET» del **transmisor 1** durante 3-5 segundos.
- Encienda el ventilador 1 y cambie su velocidad desde el transmisor 1 para comprobar que está emparejado y funciona correctamente.

Emparejamiento del transmisor y el receptor del ventilador de techo 2:

- Desconecte la corriente de los receptores de los ventiladores 1 y 2.
- Instale una batería de 12V CC en el compartimento. Asegúrese de instalarla en el sentido correcto de la polaridad. **Img. 12**
- Cambie la posición de los interruptores DIP en el transmisor 2, de manera que sean diferentes a los del transmisor 1.
- Vuelva a conectar la corriente en el receptor 2. Mantenga el receptor 1 sin corriente. (Cada ventilador de techo debe tener su propio seccionador, de manera que el ventilador de techo que necesite ser emparejado con el transmisor siga recibiendo corriente).
- En los 60 segundos siguientes a la conexión del receptor del ventilador de techo 2 a la corriente, pulse el botón «SET» del **transmisor 2** durante 3-5 segundos.
- Encienda el ventilador 2 y cambie su velocidad desde el transmisor 2 para comprobar que está emparejado y funciona correctamente.

Botones del mando a distancia

A - BOTONES DE LA VELOCIDAD DEL VENTILADOR:

Hay 6 velocidades disponibles. El botón «I» representa la velocidad más baja, y el botón «VI» la más elevada.

NOTA: Cuando encienda el ventilador por primera vez o cambie el encendido al controlador, necesitará primero poner en marcha el ventilador a la velocidad «VI» y elegir después una velocidad más baja. Se requieren de 5 a 10 segundos para que el ventilador CC responda a la velocidad o al sentido de giro del ventilador seleccionados con el mando a distancia.

B - BOTÓN DE APAGADO DEL VENTILADOR:

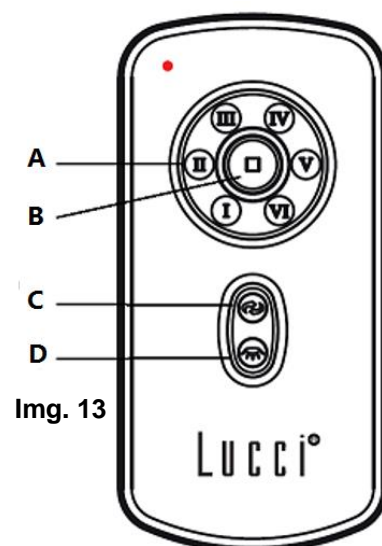
Pulse este botón para apagar el ventilador.

C - BOTÓN DE CAMBIO DE SENTIDO:

Pulse este botón para activar la función de cambio de sentido. El ventilador debe estar funcionando para activar la función de cambio de sentido.

D - BOTÓN DE CONTROL DE LA LUZ: (El kit de luz se vende por separado)

Pulse este botón para apagar o encender la luz.



Img. 13

Nota: Cuando el ventilador no puede detectar la redirección rotatoria se detiene, simplemente pulse

el " ■ " botón dos veces para activar el ventilador nuevo.

EL RECEPTOR PROPORCIONA LOS SIGUIENTES NIVELES DE PROTECCIÓN:

- Posición de bloqueo: el receptor incorpora una función de seguridad para protegerlo en caso de obstrucciones en el ventilador cuando está en funcionamiento. El motor se quedará bloqueado y se desconectará de la corriente después de 30 segundos de interrupción. Por favor, retire los obstáculos antes de volver a reanudar el funcionamiento del aparato. Para restablecer el ventilador, apague el motor del ventilador y vuelva a encenderlo.
- Protección sobre 80W: cuando el receptor detecta un consumo eléctrico superior a 80W, el receptor se apagará y su funcionamiento se detendrá inmediatamente. Encienda el receptor después de 5 segundos para reanudar el funcionamiento del ventilador.

REEMPAREJAMIENTO DEL RECEPTOR Y EL MANDO A DISTANCIA DEL VENTILADOR

Si pierde el control del receptor o el mando a distancia después de la instalación o durante su uso, vuelva a emparejarlos. A continuación, se describen algunos problemas de funcionamiento y cómo solucionar el emparejamiento del receptor y el mando a distancia del ventilador CC.

Problemas:

- Pérdida de control - El ventilador solo funciona a una velocidad elevada después de instalarlo
- Pérdida de control - La función de cambio de sentido no funciona después de instalarlo
- Pérdida de control - El mando a distancia no se comunica con el receptor

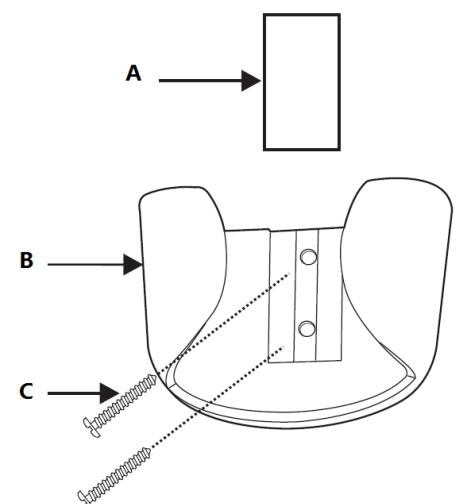
Solución:

- Apague el ventilador de techo durante 30 segundos.
- En los 60 segundos siguientes a la conexión del receptor del ventilador de techo 2 a la corriente, pulse el botón «SET» del **transmisor** durante 3-5 segundos.
- Encienda el ventilador de techo y cambie su velocidad desde el transmisor para comprobar que está emparejado y funciona correctamente.

INSTALACIÓN DEL PORTAMANDO

Retire la cubierta (A) del portamando (B). Instale el portamando (B) con los dos tornillos (C) suministrados.

Vuelva a poner la cubierta (A) en el portamando (B). **Img.14**



Img. 14

DESPUÉS DE LA INSTALACIÓN

BAMBOLEO:

NOTA: Los ventiladores de techo tienden a moverse cuando están funcionando debido a que están montados sobre una arandela de goma. Si el ventilador está montado rígidamente al techo, se podrían generar unas vibraciones excesivas. Unos pocos centímetros de movimiento es bastante aceptable y NO indica que haya un problema.

PARA REDUCIR EL BALANCEO DEL VENTILADOR: Compruebe que todos los tornillos que fijan el soporte del ventilador y la tija esté bien apretados.

KIT DE BALANCEO: Se incluye un kit de balanceo para equilibrar el ventilador de techo en la instalación inicial. Por favor, consulte las instrucciones sobre cómo usar el kit de balanceo. El kit de balanceo puede usarse para reequilibrar el ventilador si se desequilibra de nuevo. Guarde el kit de balanceo después de la instalación en caso de necesitarlo en un futuro.

RUIDO:

En los momentos de silencio (sobre todo por la noche), se pueden escuchar ruidos tenues ocasionalmente. Las ligeras fluctuaciones de la corriente y las señales de frecuencia eléctrica superpuestas en el control del agua caliente durante las horas no punta, puede causar cambios en el ruido del motor del ventilador. Esto es algo normal. Por favor, permita un periodo de rodaje de 24 horas, transcurridos los cuales la mayoría de los ruidos asociados con su nuevo ventilador deberán desaparecer. Todos los motores eléctricos son audibles hasta cierto punto. Entienda que esto no es un fallo del producto y por lo tanto no está cubierto por la garantía.

CUIDADO Y MANTENIMIENTO:

- La limpieza periódica de su ventilador de techo es el único mantenimiento que se requiere. Utilice un cepillo blando o un paño sin pelusa para no arañar el acabado de pintura. Por favor, corte la corriente cuando haga esto.
- No utilice agua cuando limpie su ventilador de techo, dado que podría dañar el motor o las aspas y causar posibles descargas eléctricas.
- El motor tiene un rodamiento con lubricación permanente, por lo que no es necesario engrasarlo.

NOTA: Apague siempre el ventilador desde el interruptor de alimentación antes de limpiarlo.

INFORMACIÓN TÉCNICA

Dimensiones del ventilador	Velocidad	Voltios (V)	Amperios (A)	Vatios (W)	RPM	CFM	CFM/W	Peso neto (lb)	Peso bruto (lb)	C.F.
60"	Extra-High	120	0.43	30.87W	212	7738.33	250.67	15.7	19.7	2.5
	Medium High	120	0.21	15.19W	156	5751.74	378.65	15.7	19.7	2.5
	Low	120	0.05	2.14W	50	1655.43	773.56	15.7	19.7	2.5

Estos son medidas aproximadas. No incluyen datos de ninguna de las lámparas o luces que van instaladas al ventilador de techo.

GARANTÍA

2 años de garantía para todo el ventilador. Por favor, consulte la tarjeta de garantía para más información.