

WASTE DISPOSER STOPPER

Cat. No.
I5587



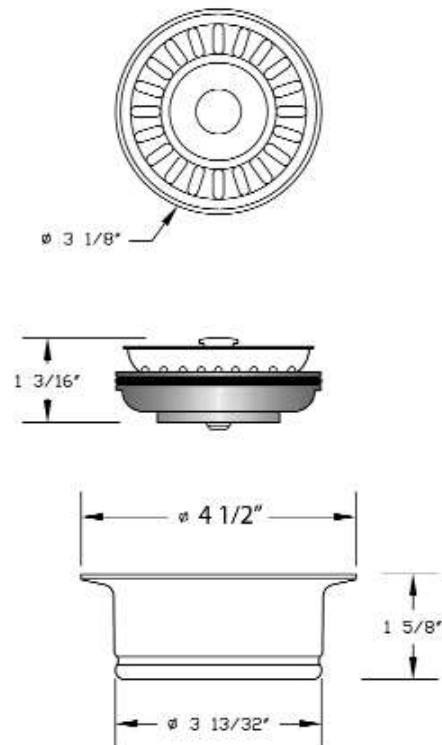
Features:

- ▶ For continuous feed models only
- ▶ Fits disposers with 3 3/8" inside diameter
- ▶ Spring loaded ball in metal post
- ▶ 3-Bolt mounting hardware
- ▶ Includes flange and stopper
- ▶ Fits Evolution, Insinkerator, Badger, Kenmore, Maytag, Ace, Kitchen Aid and Whirlpool disposers
- ▶ Accepts Insinkerator silencer gasket
- ▶ Fits sinks up to 5/8" thick
- ▶ Available in 6 Finishes

Finishes:

BS Brushed Stainless
CP Polished Chrome
BN Brushed Nickel

PN Polished Nickel
ORB Oil Rubbed Bronze
VB Venetian Bronze



Dimensions and specifications subject to change without notice.