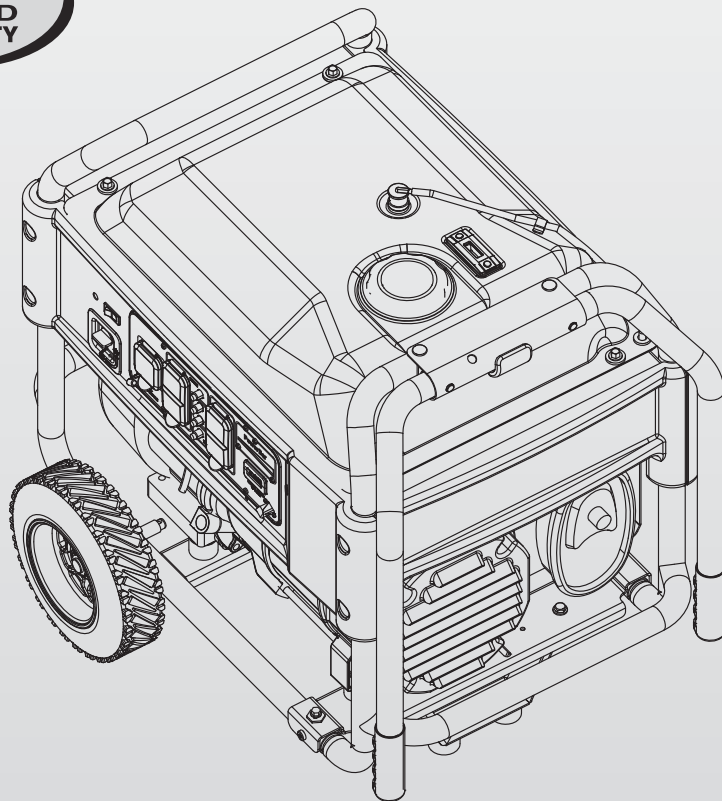




Owner's Manual

XG Series 6,500-8,000 Watt Portable Generator

**2 YEAR
LIMITED
WARRANTY**



⚠ DANGER!

- ⚠ DEADLY EXHAUST FUMES! ONLY use OUTSIDE far away from windows, doors and vents!**
- ⚠ NOT INTENDED FOR USE IN CRITICAL LIFE SUPPORT APPLICATIONS.**
- ⚠ SAVE this Manual. Provide this manual to any operator of the generator.**

Table of Contents

Introduction	1	Maintenance	12
Read this Manual Thoroughly	1	3.1 Maintenance Schedule	12
Safety Rules	1	3.2 Product Specifications.....	12
Standards Index	3	3.3 General Recommendations.....	13
General Information	4	3.4 Service Air Filter	14
1.1 Unpacking.....	4	3.5 Clean Spark Arrestor Screen.....	14
1.2 Assembly.....	4	3.6 General	14
Operation	5	3.7 Long Term Storage.....	15
2.1 Know the Generator	5	3.8 Other Storage Tips	15
2.2 Hourmeter - No Reset	6	Battery Service	15
2.3 Hourmeter - With Reset.....	6	4.1 Battery Replacement (XG7000E & XG8000E)	15
2.4 Cord Sets and Connection Plugs	7	Troubleshooting	17
2.5 How to Use the Generator	7	5.1 Troubleshooting Guide.....	17
2.6 Don't Overload the Generator.....	9	Notes	18
2.7 Wattage Reference Guide	9	Warranty	19
2.8 Before Starting the Generator	9	<hr/>	
2.9 To Start the Engine.....	10	Manual del propietario	23
2.10 Stopping the Engine	11	Manuel d'entretien	45
2.11 Low Oil Pressure Shutdown System.....	11		
2.12 Charging the Battery (XG7000E & XG8000E).....	11		

WARNING!

California Proposition 65

Engine exhaust and some of its constituents are known to the state of California to cause cancer, birth defects, and other reproductive harm.

WARNING!

California Proposition 65

This product contains or emits chemicals known to the state of California to cause cancer, birth defects, and other reproductive harm.

INTRODUCTION

Thank you for purchasing this model by Generac Power Systems, Inc. This model is a compact, high performance, air-cooled, engine driven generator designed to supply electrical power to operate electrical loads where no utility power is available or in place of utility due to a power outage.

READ THIS MANUAL THOROUGHLY

If any portion of this manual is not understood, contact the nearest Authorized Dealer for starting, operating and servicing procedures.

The operator is responsible for proper and safe use of the equipment. We strongly recommend that the operator read this manual and thoroughly understand all instructions before using the equipment. We also strongly recommend instructing other users to properly start and operate the unit. This prepares them if they need to operate the equipment in an emergency.

The generator can operate safely, efficiently and reliably only if it is properly located, operated and maintained. Before operating or servicing the generator:

- Become familiar with and strictly adhere to all local, state and national codes and regulations.
- Study all safety warnings in this manual and on the product carefully.
- Become familiar with this manual and the unit before use.

The manufacturer cannot anticipate every possible circumstance that might involve a hazard. The warnings in this manual, and on tags and decals affixed to the unit are, therefore, not all inclusive. If using a procedure, work method or operating technique that the manufacturer does not specifically recommend, ensure that it is safe for others. Also make sure the procedure, work method or operating technique utilized does not render the generator unsafe.

THE INFORMATION CONTAINED HEREIN WAS BASED ON MACHINES IN PRODUCTION AT THE TIME OF PUBLICATION. GENERAC RESERVES THE RIGHT TO MODIFY THIS MANUAL AT ANY TIME.

SAFETY RULES

Throughout this publication, and on tags and decals affixed to the generator, DANGER, WARNING, CAUTION and NOTE blocks are used to alert personnel to special instructions about a particular operation that may be hazardous if performed incorrectly or carelessly. Observe them carefully. Their definitions are as follows:

DANGER!

INDICATES A HAZARDOUS SITUATION OR ACTION WHICH, IF NOT AVOIDED, WILL RESULT IN DEATH OR SERIOUS INJURY.

WARNING!

Indicates a hazardous situation or action which, if not avoided, could result in death or serious injury.

CAUTION!


Indicates a hazardous situation or action which, if not avoided, could result in minor or moderate injury.

NOTE:

Notes contain additional information important to a procedure and will be found within the regular text body of this manual.

These safety warnings cannot eliminate the hazards that they indicate. Common sense and strict compliance with the special instructions while performing the action or service are essential to preventing accidents.

Four commonly used safety symbols accompany the **DANGER**, **WARNING** and **CAUTION** blocks. The type of information each indicates is as follows:

 **This symbol points out important safety information that, if not followed, could endanger personal safety and/or property of others.**

 **This symbol points out potential explosion hazard.**

 **This symbol points out potential fire hazard.**

 **This symbol points out potential electrical shock hazard.**

GENERAL HAZARDS

- NEVER operate in an enclosed area, in a vehicle, or indoors EVEN IF doors and windows are open.
- For safety reasons, the manufacturer recommends that the maintenance of this equipment is carried out by an Authorized Dealer. Inspect the generator regularly, and contact the nearest Authorized Dealer for parts needing repair or replacement.
- Operate generator only on level surfaces and where it will not be exposed to excessive moisture, dirt, dust or corrosive vapors.
- Keep hands, feet, clothing, etc., away from drive belts, fans, and other moving parts. Never remove any fan guard or shield while the unit is operating.
- Certain parts of the generator get extremely hot during operation. Keep clear of the generator until it has cooled to avoid severe burns.
- Do NOT operate generator in the rain.
- Do not alter the construction of the generator or change controls which might create an unsafe operating condition.
- Never start or stop the unit with electrical loads connected to receptacles AND with connected devices turned ON. Start the engine and let it stabilize before connecting electrical loads. Disconnect all electrical loads before shutting down the generator.
- Do not insert objects through unit's cooling slots.
- When working on this equipment, remain alert at all times. Never work on the equipment when physically or mentally fatigued.

Safety Rules


- Never use the generator or any of its parts as a step. Stepping on the unit can stress and break parts, and may result in dangerous operating conditions from leaking exhaust gases, fuel leakage, oil leakage, etc.
- On electric start models, disconnect the POSITIVE (+) battery cable from the engine starter OR the NEGATIVE (-) battery cable from the battery terminal, whichever is easier, before transporting the generator.

NOTE:

This generator is equipped with a spark arrestor muffler. The spark arrestor must be maintained in effective working order by the owner/ operator. In the State of California, a spark arrestor is required by law (Section 4442 of the California Public Resources Code). Other states may have similar laws. Federal laws apply on federal lands.

EXHAUST & LOCATION HAZARDS

- **Never operate in an enclosed area or indoors! NEVER use in the home, in a vehicle, or in partly enclosed areas such as garages, even if doors and windows are open! ONLY use outdoors and far from open windows, doors, vents, and in an area that will not accumulate deadly exhaust.**

 DANGER	
Using a generator indoors CAN KILL YOU IN MINUTES.	
Generator exhaust contains carbon monoxide. This is a poison you cannot see or smell.	
	
NEVER use inside a home or garage, EVEN IF doors and windows are open.	
	Only use OUTSIDE and far away from windows, doors, and vents.

- The engine exhaust fumes contain carbon monoxide, which you cannot see or smell. This poisonous gas, if breathed in sufficient concentrations, can cause unconsciousness or even death.
- Adequate, unobstructed flow of cooling and ventilating air is critical to correct generator operation. Do not alter the installation or permit even partial blockage of ventilation provisions, as this can seriously affect safe operation of the generator. The generator MUST be operated outdoors.
- This exhaust system must be properly maintained. Do nothing that might render the exhaust system unsafe or in noncompliance with any local codes and/or standards.
- Always use a battery operated carbon monoxide alarm indoors, installed according to the manufacturers instructions.
- If you start to feel sick, dizzy, or weak after the generator has been running, move to fresh air IMMEDIATELY. See a doctor, as you could have carbon monoxide poisoning.

ELECTRICAL HAZARDS

- The generator produces dangerously high voltage when in operation. Avoid contact with bare wires, terminals, connections, etc., while the unit is running, even on equipment connected to the generator. Ensure all appropriate covers, guards and barriers are in place before operating the generator.
- Never handle any kind of electrical cord or device while standing in water, while barefoot or while hands or feet are wet. **DANGEROUS ELECTRICAL SHOCK MAY RESULT.**
- The National Electric Code (NEC) requires the frame and external electrically conductive parts of the generator be properly connected to an approved earth ground. Local electrical codes may also require proper grounding of the generator. Consult with a local electrician for grounding requirements in the area.
- Use a ground fault circuit interrupter in any damp or highly conductive area (such as metal decking or steel work).
- Do not use worn, bare, frayed or otherwise damaged electrical cord sets with the generator.
- Before performing any maintenance on the generator, disconnect the engine starting battery (if equipped) to prevent accidental start up. Disconnect the cable from the battery post indicated by a NEGATIVE, NEG or (-) first. Reconnect that cable last.
- In case of accident caused by electric shock, immediately shut down the source of electrical power. If this is not possible, attempt to free the victim from the live conductor. **AVOID DIRECT CONTACT WITH THE VICTIM.** Use a non-conducting implement, such as a rope or board, to free the victim from the live conductor. If the victim is unconscious, apply first aid and get immediate medical help.

FIRE HAZARDS

- **Gasoline is highly FLAMMABLE and its vapors are EXPLOSIVE. Do not permit smoking, open flames, sparks or heat in the vicinity while handling gasoline.**
- Never add fuel while unit is running or hot. Allow engine to cool completely before adding fuel.
- **Never fill fuel tank indoors.** Comply with all laws regulating storage and handling of gasoline.
- **Do not overfill the fuel tank. Always allow room for fuel expansion.** If tank is over-filled, fuel can overflow onto a hot engine and cause FIRE or an EXPLOSION. Never store generator with fuel in tank where gasoline vapors might reach an open flame, spark or pilot light (as on a furnace, water heater or clothes dryer). FIRE or EXPLOSION may result. Allow unit to cool entirely before storage.
- Wipe up any fuel or oil spills immediately. Ensure that no combustible materials are left on or near the generator. Keep the area surrounding the generator clean and free from debris and keep a clearance of five (5) feet on all side to allow for proper ventilation of the generator.

- Do not insert objects through unit's cooling slots.
- **Do not** operate the generator if connected electrical devices overheat, if electrical output is lost, if engine or generator sparks or if flames or smoke are observed while unit is running.
- Keep a fire extinguisher near the generator at all times.

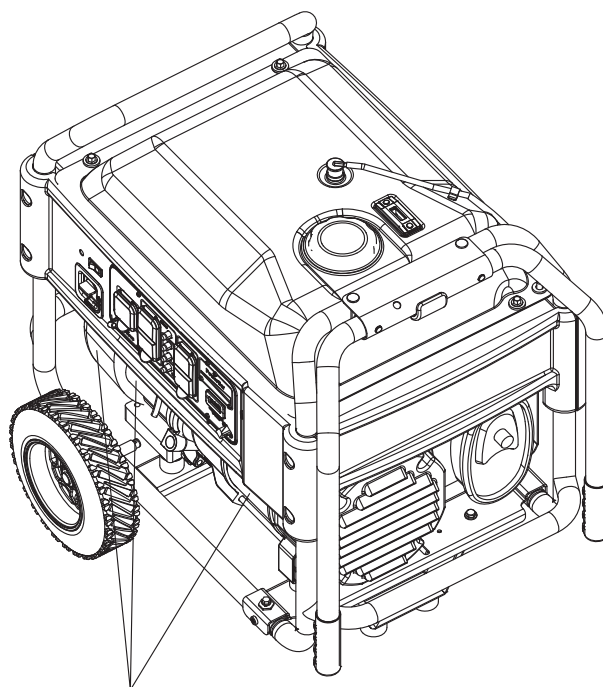
MODEL NO:	
SERIAL NO:	

STANDARDS INDEX

In the absence of pertinent standards, codes, regulations and laws, the published information listed below may be used as a guideline for operation of this equipment. Always reference the latest revision available for the standards listed.

1. NFPA No. 70, NFPA HANDBOOK OF NATIONAL ELECTRIC CODE.
2. Article X, NATIONAL BUILDING CODE, available from the American Insurance Association, 85 John Street, New York, N.Y. 10038.
3. AGRICULTURAL WIRING HANDBOOK, available from the Food and Energy Council, 909 University Avenue, Columbia, MO 65201.
4. ASAE EP-3634, INSTALLATION AND MAINTENANCE OF FARM STANDBY ELECTRICAL SYSTEMS, available from the American Society of Agricultural Engineers, 2950 Niles Road, St. Joseph, MI 49085.

Generator Identification



Unit ID
Locations

General Information

1.1 UNPACKING

- Remove all packaging material.
- Remove separate accessory box.
- Remove carton off the generator.

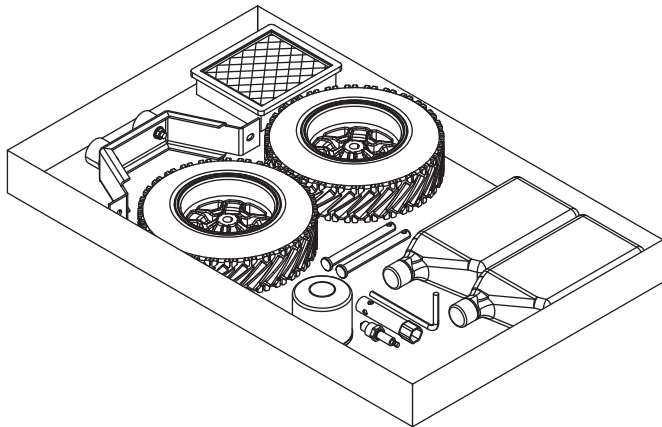
1.1.1 ACCESSORY BOX

Check all contents (Figure 1). If any parts are missing or damaged locate an authorized dealer at 1-888-436-3722.

Contents include:

- 2 – Axle Pins
- 2 – Wheel Spacers
- 2 – Hair Pins
- 2 – Wheels
- 1 – Frame Foot
- 2 – Frame Bolts
- 2 – Vibration Mounts
- 4 – Flange Nuts
- 2 – 1 Quart SAE 30 Oil Bottles
- Oil Filter
- Air Filter
- Spark Plug
- Spark Plug Wrench
- Shop Towel
- 2 – Frame Washers
- Oil Funnel
- 12 Volt Adaptor Plug Charger

Figure 1 – Accessory Boxes



1.2 ASSEMBLY

Read entire Owner's Manual before attempting to assemble or operate the generator. The generator requires some assembly prior to using it. If problems arise when assembling the generator, please call the Generator Helpline at 1-888-436-3722.

1.2.1 ASSEMBLING THE WHEEL KIT AND FRAME FOOT

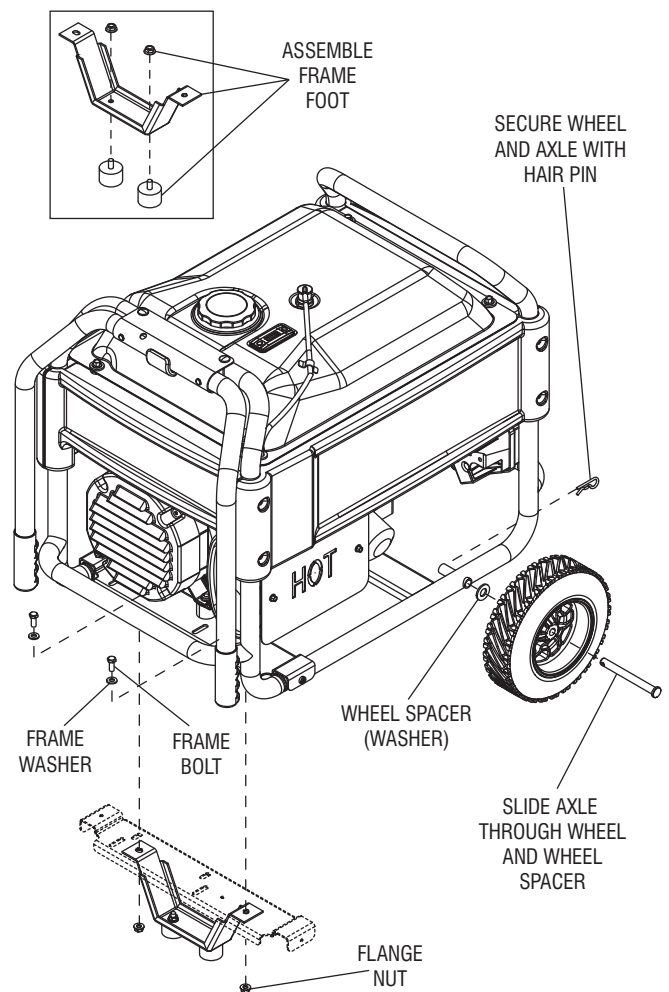
The wheel kit is designed to greatly improve the portability of the generator. You will need the following tools to install the wheel kit: Pliers, 1/2" (13mm) wrench and a socket wrench with a 1/2" (13mm) socket.

NOTE:

The wheel kit is not intended for over-the-road use.

- Refer to Figure 2 and install the wheel kit and frame foot as follows:
- Slide the Axle Pin through the Wheel, Wheel Spacer (Washer) and the Frame.
- Install the Hair Pin to the Axle Pin to secure the wheel. Repeat for the opposite side.
- Secure the Vibration Mounts to the Frame Foot with the included locking nuts.
- To install the Frame Foot, install the Frame Bolts through the Frame Washers, Frame and Frame foot. Secure with the flange nuts.

Figure 2 – Wheel and Foot Assembly



2.1 KNOW THE GENERATOR

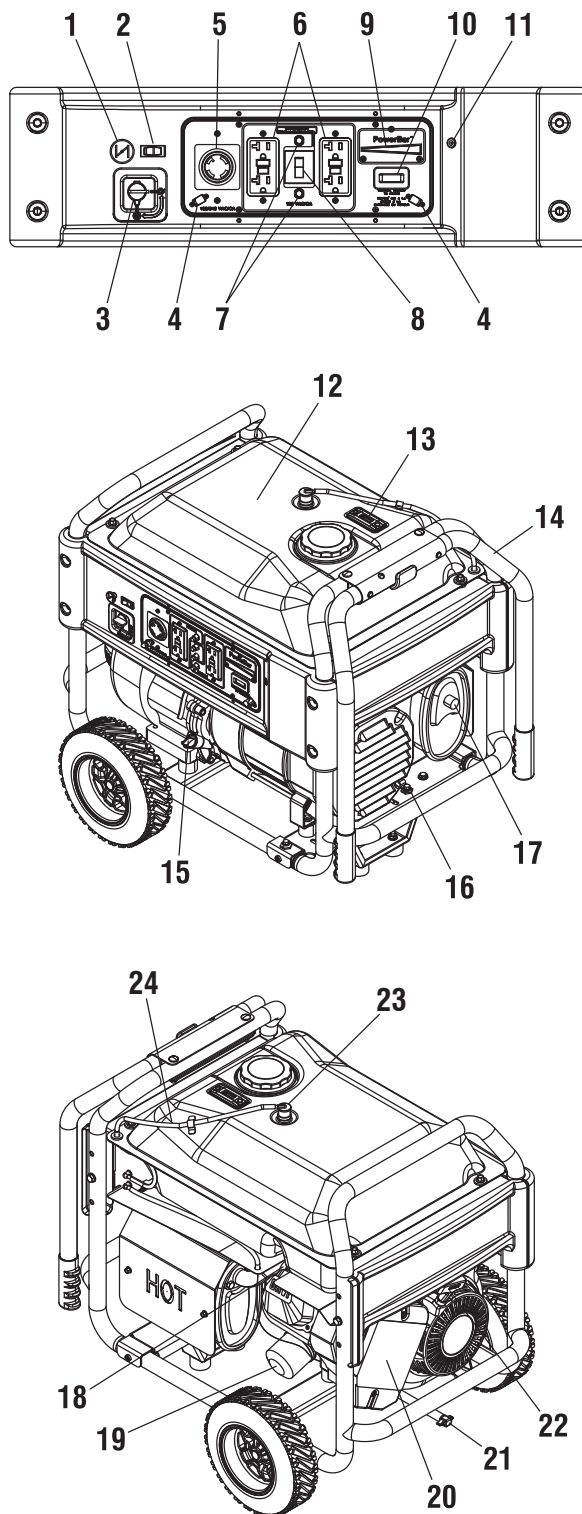
Read the entire **Owner's Manual and Safety Rules** before operating this generator.

Compare the generator to Figures 3 through 6 to become familiarized with the locations of various controls and adjustments. Save this manual for future reference.

1. **Choke Knob** – Used when starting a cold engine (Pull/Push).
2. **Engine Switch** – Controls the operation of the generator. On electric start models the switch is Start/Run/Stop. On recoil start models the switch is On/Off.
3. **Fuel Shut Off** – Valve between fuel tank and carburetor. Turn off and run carburetor out of fuel for extended storage.
4. **Panel LED's** – Provide illumination of the control panel while the generator is operating.
5. **120/240 Volt AC, 30 Amp Locking Receptacle** – Supplies electrical power for the operation of 120 and/or 240 Volt AC, 30 Amp, single-phase, 60 Hz, electrical lighting, appliance, tool and motor loads.
6. **120 Volt AC, 20 Amp, GFCI Duplex Receptacle** – Supplies electrical power for the operation of 120 Volt AC, 20 Amp, single-phase, 60 Hz electrical lighting, appliance, tool and motor loads. It also provides protection with an Integral Ground Fault Circuit Interrupter, complete with a press to "Test" and "Reset" button.
7. **Circuit Breakers (AC)** – Each 20 Amp receptacle is provided with a push-to-reset circuit breaker to protect the generator against electrical overload.
8. **Circuit Breakers (AC)** – The 30 Amp receptacle is protected with a pair of push-to-reset circuit breakers to protect the generator against electrical overload.
9. **PowerBar** – Indicates the amount of power being used from the generator; each section is approximately 25%
10. **Hourmeter** – Provides operating hours for Service Intervals.
11. **Battery Charger Input (Electric Start Models)** – This receptacle allows the capability to recharge the 12 VDC engine starting battery with the 12 Volt Adaptor Plug Charger. The battery is protected by a 1.50 Amp in-line fuse which is inside the control panel.
12. **Fuel Tank** – Tank holds 9 U.S. gallons of fuel.
13. **Fuel Gauge** – Shows fuel level in tank.
14. **Handles** – Pivot and retract for storage. Press the spring-loaded button to move handles.
15. **Oil Fill** – Check oil level and add oil here.
16. **Grounding Lug** – Ground the generator to an approved earth ground here. See "Grounding the Generator" for details.
17. **Muffler** – Includes the spark arrestor and quiets the engine.
18. **Spark Plug Location** – The spark plug ignites the Air/Fuel Mixture (Side panel must be removed).
19. **Engine Oil Filter** – Filters engine oil; see Section 3.1 for the proper service intervals.
20. **Air Filter** – Filters intake air as it is drawn into the engine.
21. **Oil Drain** – Drain valve to remove used oil from the engine crankcase.

22. **Recoil Starter** – Use to start engine manually.
23. **Roll Over Valve** - Passes fuel vapors to the engine.
24. **Recovery Hose** - Install between roll over valve and the engine.

Figure 3 – Generator Locations



Operation

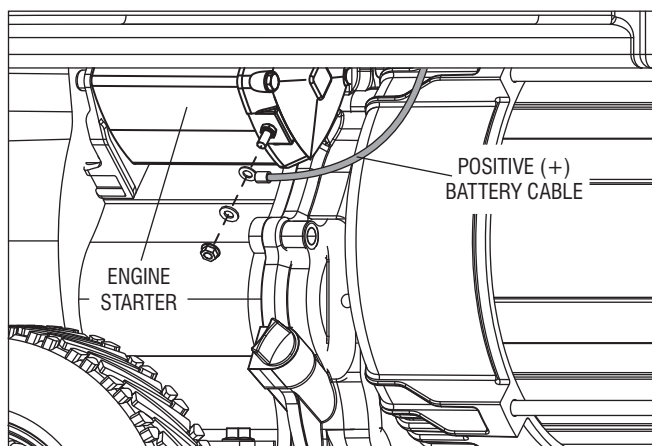
2.1.1 BATTERY CONNECTION (XG7000E & XG8000E)

NOTE:

The battery shipped with the generator has been fully charged. A battery may lose some of its charge when not in use for prolonged periods of time. If the battery is unable to crank the engine, plug in the 12V charger included in the accessory box (see the Charging the Battery section). **RUNNING THE GENERATOR DOES NOT CHARGE THE BATTERY.**

The positive battery wire was deliberately left detached for shipping. To operate the unit, attach this wire to the terminal on the starter motor as shown. Do not overtighten. Slide the attached rubber boot over the starter terminal. See Figure 4.

Figure 4 – Battery Connection



2.2 HOURMETER - NO RESET

The Hourmeter tracks hours of operation for scheduled maintenance:

There will be a one time break in "CHG OIL" message that flashes with the elapsed time in hours and tenths after the first 30 hours of operation.

This message will actually begin flashing at 29 hours and disable itself at 31 hours providing a two hour window to perform the service.

There will be a subsequent "CHG OIL" message every 100 hours. The message will flash one hour before and one hour after each 100 hour interval, again providing a two hour window to perform service.

Every 200 hours the "SVC" icon on the lower left hand corner of the display will flash. The message will flash one hour before and one hour after each 200 hour interval providing a two hour window to perform service.

When the hour meter is in the Flash Alert mode, the maintenance message will always alternate with elapsed time in hours and tenths. The hours will flash four times, then alternate with the maintenance message four times until the meter resets itself.

- 100 hours - CHG OIL — Oil Change Interval (Every 100 hrs)
- 200 hours - SVC — Air Filter Interval (Every 200 hrs)

2.3 HOURMETER - WITH RESET

The Hourmeter tracks hours of operation for scheduled maintenance (see chart) (Figure 5).

Operation: Push and release the reset button to toggle between screens. The hours count backwards from the set interval as shown in the chart.

When the meter reaches 5 hours, the text "CHG OIL" (or "SVC AIR FILTER" or "CHG PLUG") will flash continually for two minutes. After this time, the meter will go back to displaying the total hours of the unit (for 2 minutes). This cycle will repeat for the entire 5 hours.

When the service interval reaches zero hours, the text "NOW" replaces the hours remaining.

For a new generator for instance, the message will say "CHG OIL" then flash "in 30". This means that in 30 hours, the oil will need to be changed. Pressing the button a few more times will bring the meter back to the screen that shows the total hours run.

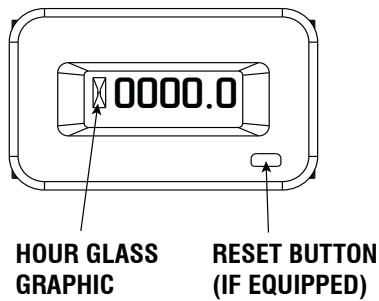
Reset: Toggle to the alert that you wish to reset then hold the button down for 9 seconds. The maintenance hours are reset when the display shows "0000.0".

Note:

The hour glass graphic will flash on and off when the engine is running. This signifies that the meter is tracking hours of operation.

Hourmeter (With Reset) Chart			
Message	Frequency of Message	Interval	Duration of message
CHG OIL	Initial break-in period	First 30 Hours	ON/OFF for 2 minutes in a 5 hour period
CHG OIL	Re-occurring	100 hours	
SVC AIR FILTER	Re-occurring	200 hours	
CHG PLUG	Re-occurring	200 hours	

Figure 5 – Hourmeter



2.4 CORD SETS AND CONNECTION PLUGS

2.4.1 120 VAC, 20 AMP, GFCI DUPLEX RECEPTACLE

This is a 120 Volt outlet protected against overload by a 20 Amp push-to-reset circuit breaker (Figure 6). Use each socket to power 120 Volt AC, single phase, 60 Hz electrical loads requiring up to a combined 2400 watts (2.4 kW) or 20 Amps of current. Use only high quality, well-insulated, 3-wire grounded cord sets rated for 125 Volts at 20 Amps (or greater).

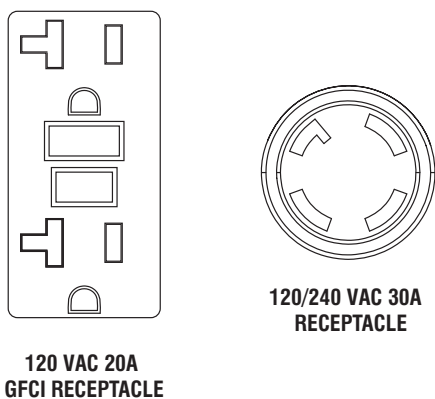
Keep extension cords as short as possible, preferably less than 15 feet long, to prevent voltage drop and possible overheating of wires.

2.4.2 120/240 VAC, 30 AMP RECEPTACLE

Use a NEMA L14-30 plug with this receptacle (rotate to lock/unlock). Connect a suitable 4-wire grounded cord set to the plug and to the desired load. The cord set should be rated for 250 Volts AC at 30 Amps (or greater) (Figure 6).

Use this receptacle to operate 120 Volt AC, 60 Hz, single phase loads requiring up to 3600 watts (3.6 kW) of power at 30 Amps or 240 Volt AC, 60 Hz, single phase loads requiring 6,500 to 8000 watts of power, depending on the model. The outlet is protected by a 30 Amp circuit breaker.

Figure 6 – Generator Receptacles



2.5 HOW TO USE THE GENERATOR

See the "To Start the Engine" section for how to safely start and stop the generator and how to connect and disconnect loads. If there are any problems operating the generator, please call the generator helpline at 1-888-436-3722.

⚠ DANGER!

- ⚠ **Never operate in an enclosed area or indoors! NEVER use in the home, in a vehicle, or in partly enclosed areas such as garages, EVEN IF doors and windows are open! ONLY use outdoors and far from open windows, doors, vents, and in an area that will not accumulate deadly exhaust.**
- ⚠ **The engine exhaust fumes contain carbon monoxide, which you cannot see or smell. This poisonous gas, if breathed in sufficient concentrations, can cause unconsciousness or even death.**
- ⚠ **Adequate, unobstructed flow of cooling and ventilating air is critical to correct generator operation. Do not alter the installation or permit even partial blockage of ventilation provisions, as this can seriously affect safe operation of the generator. The generator MUST be operated outdoors.**
- ⚠ **This exhaust system must be properly maintained. Do nothing that might render the exhaust system unsafe or in noncompliance with any local codes and/or standards.**
- ⚠ **Always use a battery operated carbon monoxide alarm indoors, installed according to the manufacturers instructions.**

⚠ DANGER

Using a generator indoors CAN KILL YOU IN MINUTES.

Generator exhaust contains carbon monoxide. This is a poison you cannot see or smell.



NEVER use inside a home or garage, EVEN IF doors and windows are open.



Only use OUTSIDE and far away from windows, doors, and vents.

Operation

2.5.1 GROUNDING THE GENERATOR WHEN USED AS A PORTABLE

This generator has an equipment ground that connects the generator frame components to the ground terminals on the AC output receptacles (see NEC 250.34 (A) for explanation). This allows the generator to be used as a portable without grounding the frame of the generator as specified in NEC 250.34.

Special Requirements

There may be Federal or State Occupational Safety and Health Administration (OSHA) regulations, local codes, or ordinances that apply to the intended use of the generator.

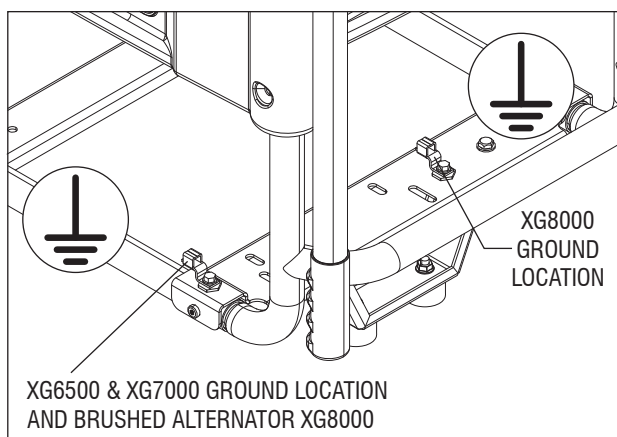
Please consult a qualified electrician, electrical inspector, or the local agency having jurisdiction:

- In some areas, generators are required to be registered with local utility companies.
- If the generator is used at a construction site, there may be additional regulations which must be observed.

2.5.2 CONNECTING THE GENERATOR TO A BUILDING'S ELECTRICAL SYSTEM

When connecting directly to a building's electrical system, it is recommended that a manual transfer switch is used. Connections for a portable generator to a building's electrical system must be made by a qualified electrician and in strict compliance with all national and local electrical codes and laws.

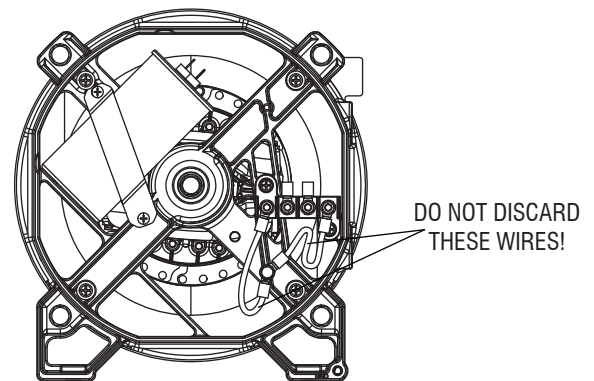
Figure 7 – Generator Ground Location



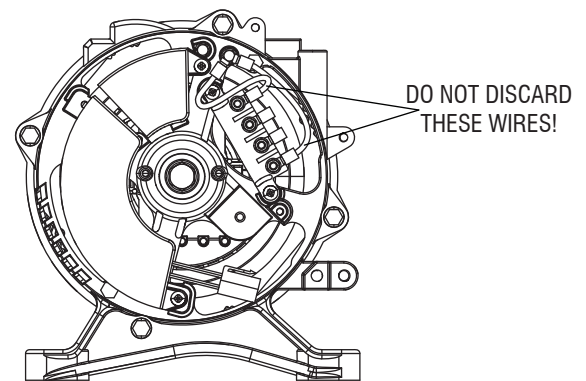
2.5.3 NEUTRAL TO FRAME GROUNDING

If service work is performed on the alternator, **DO NOT** discard the white jumper wires from the terminal block to the alternator ground, located on the rear bearing carrier. Always make sure the wires are properly connected before using the generator after alternator service work is done (Figure 8).

Figure 8 – Neutral to Frame Ground



NEUTRAL TO FRAME GROUND
XG7000 & 8000 BRUSHLESS ALTERNATOR ONLY



NEUTRAL TO FRAME GROUND XG6500,
7000 AND 8000 BRUSHED ALTERNATOR

⚠ DANGER!

⚠ Failure to reconnect these wires may create a potential shock hazard when the generator is running!

2.5.4 CONNECTING ELECTRICAL LOADS

DO NOT connect 240 Volt loads to 120 Volt receptacles.

DO NOT connect 3 phase loads to the generator.

DO NOT connect 50 Hz loads to the generator.

- Let engine stabilize and warm up for a few minutes after starting.
- Plug in and turn on the desired 120 or 240 Volt AC, single phase, 60 Hz electrical loads.
- Add up the rated watts (or amps) of all loads to be connected at one time. This total should no be greater than (a) the rated wattage/ampere capacity of the generator or (b) circuit breaker rating of the receptacle supplying the power. See "Don't Overload the Generator"

2.6 DON'T OVERLOAD THE GENERATOR

Overloading a generator in excess of its rated wattage capacity can result in damage to the generator and to connected electrical devices. Observe the following to prevent overloading the unit:

- Add up the total wattage of all electrical devices to be connected at one time. This total should NOT be greater than the generator's wattage capacity.
- The rated wattage of lights can be taken from light bulbs. The rated wattage of tools, appliances and motors can usually be found on a data label or decal affixed to the device.
- If the appliance, tool or motor does not give wattage, multiply volts times ampere rating to determine watts (volts x amps = watts).
- Some electric motors, such as induction types, require about three times more watts of power for starting than for running. This surge of power lasts only a few seconds when starting such motors. Make sure to allow for high starting wattage when selecting electrical devices to connect to the generator:
 1. Figure the watts needed to start the largest motor.
 2. Add to that figure the running watts of all other connected loads.

The Wattage Reference Guide is provided to assist in determining how many items the generator can operate at one time.

IMPORTANT: Do not overload the generator. Also, do not overload individual panel receptacles. These outlets are protected against overload with push-to-reset-type circuit breakers. Read "Don't Overload the Generator" carefully.

NOTE:

All figures are approximate. See data label on appliance for wattage requirements.

2.7 WATTAGE REFERENCE GUIDE

Device	Running Watts
*Air Conditioner (12,000 Btu)	1700
*Air Conditioner (24,000 Btu)	3800
*Air Conditioner (40,000 Btu)	6000
Battery Charger (20 Amp)	500
Belt Sander (3")	1000
Chain Saw	1200
Circular Saw (6-1/2")	.800 to 1000
*Clothes Dryer (Electric)	5750
*Clothes Dryer (Gas)	700
*Clothes Washer	1150
Coffee Maker	1750
*Compressor (1 HP)	2000
*Compressor (3/4 HP)	1800
*Compressor (1/2 HP)	1400
Curling Iron	700
*Dehumidifier	650
Disc Sander (9")	1200
Edge Trimmer	500
Electric Blanket	400
Electric Nail Gun	1200
Electric Range (per element)	1500

Electric Skillet	1250
*Freezer	.700
*Furnace Fan (3/5 HP)	875
*Garage Door Opener	.500 to 750
Hair Dryer	1200
Hand Drill	.250 to 1100
Hedge Trimmer	450
Impact Wrench	500
Iron	1200
*Jet Pump	800
Lawn Mower	1200
Light Bulb	100
Microwave Oven	.700 to 1000
*Milk Cooler	1100
Oil Burner on Furnace	300
Oil Fired Space Heater (140,000 Btu)	400
Oil Fired Space Heater (85,000 Btu)	225
Oil Fired Space Heater (30,000 Btu)	150
*Paint Sprayer, Airless (1/3 HP)	600
Paint Sprayer, Airless (handheld)	150
Radio	.50 to 200
*Refrigerator	700
Slow Cooker	200
*Submersible Pump (1-1/2 HP)	2800
*Submersible Pump (1 HP)	2000
*Submersible Pump (1/2 HP)	1500
*Sump Pump	.800 to 1050
*Table Saw (10")	1750 to 2000
Television	.200 to 500
Toaster	1000 to 1650
Weed Trimmer	500
* Allow 3 times the listed watts for starting these devices.	

2.8 BEFORE STARTING THE GENERATOR

Prior to operating the generator, engine oil and gasoline will need to be added, as follows:

2.8.1 ADDING ENGINE OIL

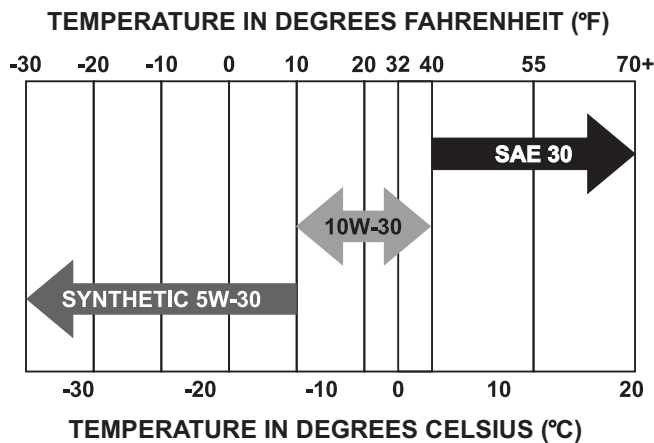
All oil should meet minimum American Petroleum Institute (API) Service Class SJ, SL or better. Use no special additives. Select the oil's viscosity grade according to the expected operating temperature (also see chart).

- Above 40° F, use SAE 30
- Below 40° F and down to 10° F, use 10W-30
- Below 10° F, use synthetic 5W-30

⚠ WARNING!

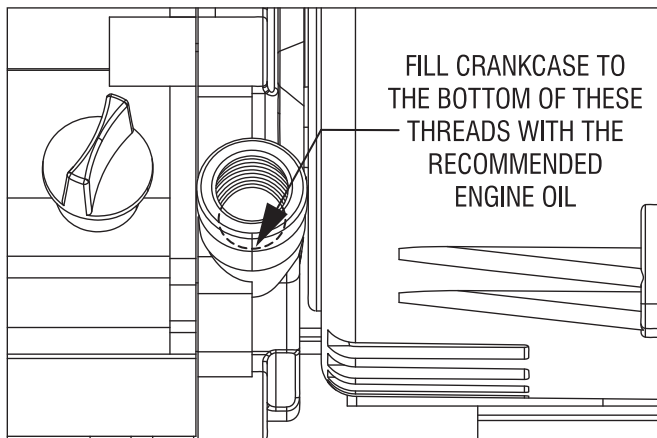
Any attempt to crank or start the engine before it has been properly serviced with the recommended oil may result in an engine failure.

Operation



- Place generator on a level surface (not to exceed 15° in any direction).
- Clean area around oil fill and remove oil fill cap.
- Slowly fill engine with oil through the oil fill opening until it reaches the full mark. Stop filling occasionally to check oil level. (Engine oil is full when level is up to the threads of the oil fill plug, see Figure 9)
- Install oil fill cap and finger tighten securely.
- Check engine oil level before starting each time thereafter.

Figure 9 – Oil Level



2.8.2 ADDING GASOLINE

⚠ DANGER!

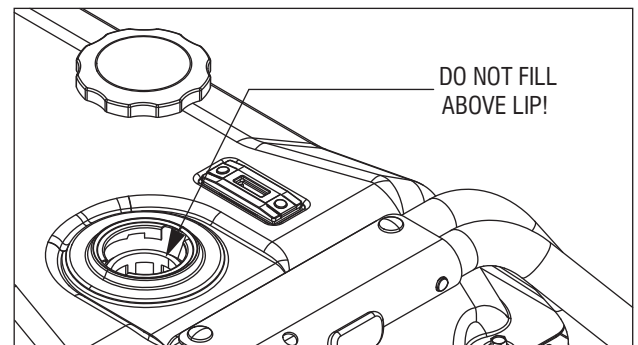
⚠ DO NOT light a cigarette or smoke when filling the fuel tank.

⚠ Never fill fuel tank indoors. Never fill fuel tank when engine is running or hot. Avoid spilling gasoline on a hot engine. Allow engine to cool entirely before filling fuel tank.

⚠ Do not overfill the fuel tank. Always leave room for fuel expansion. If the fuel tank is overfilled, fuel can overflow onto a hot engine and cause FIRE or EXPLOSION. Wipe up any spilled fuel immediately.

- Use regular UNLEADED gasoline with the generator engine. Do not use premium gasoline. Do not mix oil with gasoline.
- Do not use gasoline with more than 10% alcohol such as E85 or Methanol.
- Clean area around fuel fill cap, remove cap.
- Slowly add unleaded regular gasoline to fuel tank. Fill to bottom of screen filter. **Be careful not to overfill** (Figure 10).
- Install fuel cap and wipe up any spilled gasoline.

Figure 10 – Fuel Fill Level



IMPORTANT: It is important to prevent gum deposits from forming in fuel system parts such as the carburetor, fuel hose or tank during storage. Alcohol-blended fuels (called gasohol, ethanol or methanol) can attract moisture, which leads to separation and formation of acids during storage. Acidic gas can damage the fuel system of an engine while in storage. To avoid engine problems, the fuel system should be emptied before storage of 30 days or longer. See the "Storage" section. Never use engine or carburetor cleaner products in the fuel tank as permanent damage may occur.

2.9 TO START THE ENGINE

Never start or stop engine with electrical devices plugged into the receptacles AND devices turned on.

- Unplug all electrical loads from the unit's receptacles before starting the engine.
- Make sure the unit is in a level position (not to exceed 15° in any direction).
- Open the fuel shut-off valve (Figure 11).
- Pull engine CHOKE knob outward to "Full Choke" position (Figure 12).

Figure 11 – Fuel Shut-off Valve

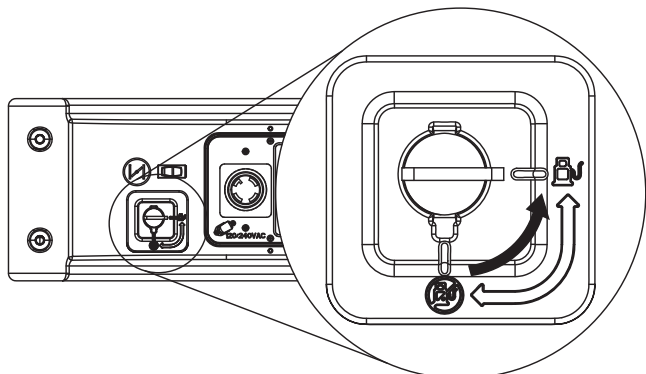
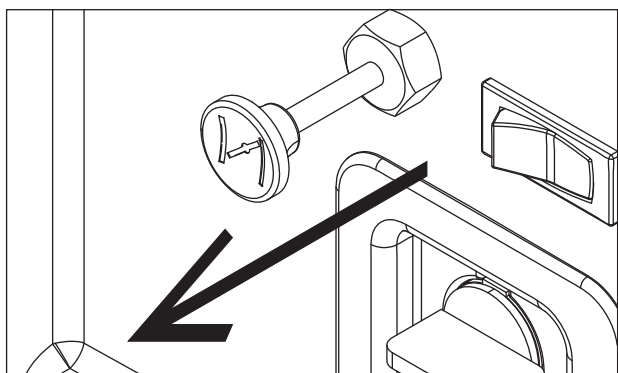


Figure 12 – Choke Operation



2.9.1 MANUAL (RECOIL) STARTING

- To start the generator, put the on/off switch in the ON position.
- Firmly grasp the recoil handle and pull slowly until increased resistance is felt. Pull rapidly up and away to start engine.
- When the engine starts, push choke knob to “1/2 Choke” position until the engine runs smoothly and then fully in to the “Run” position. If engine falters, pull choke knob back out to “1/2 Choke” position until the engine runs smoothly and then to “Run” position.

NOTE:

If engine fires, but does not continue to run, pull choke knob to “Full Choke” and repeat starting instructions.

2.9.2 ELECTRIC STARTING (XG7000E & XG8000E)

- To start the engine, press and hold the Start/Run/Stop switch in the “Start” position. The engine will crank and attempt to start. When the engine starts, release the switch to the run position.
- When the engine starts, push choke knob to “1/2 Choke” position until the engine runs smoothly and then fully in to the “Run” position. If engine falters, pull choke knob back out to “1/2 Choke” position until the engine runs smoothly and then to “Run” position.
- This generator is also equipped with a manual recoil starter which may be used if the battery is discharged.

NOTE:

The switch must be in the RUN position. Use one of the generator’s receptacle outlets along with the included battery charger to charge the battery while the generator is running.

2.10 STOPPING THE ENGINE

- Shut off all loads, then unplug the electrical loads from generator panel receptacles. Never start or stop the engine with electrical devices plugged in and turned on.
- Let engine run at no-load for several minutes to stabilize the internal temperatures of engine and generator.
- Move Start/Run/Stop or On/Off switch to the “Off” position.
- Close fuel valve.

2.11 LOW OIL PRESSURE SHUTDOWN SYSTEM

The engine is equipped with a low oil pressure sensor that shuts down the engine automatically when the oil pressure drops below 5 psi. A delay built into the low oil shutdown system allows oil pressure to build during starting. The delay allows the engine to run for about 10 seconds before sensing oil pressure. If the engine shuts down by itself and the fuel tank has enough gasoline, check engine oil level.

2.11.1 RESTARTING

If trying to restart the engine within 10 seconds after it shuts down, the engine may NOT start. The system needs 5 to 10 seconds to reset.

If the engine is restarted after such a shutdown and the low oil pressure has not been corrected, the engine will run for about 10 seconds as described above and then stop.

2.12 CHARGING THE BATTERY (XG7000E & XG8000E)

⚠ DANGER!

⚠ Do not permit smoking, open flame, sparks or any other source of heat around a battery. Wear protective goggles, rubber apron and rubber gloves when working around a battery. Battery electrolyte fluid is an extremely corrosive sulfuric acid solution that can cause severe burns. If spill occurs flush area with clear water immediately.

⚠ Storage batteries give off explosive hydrogen gas while recharging. An explosive mixture will remain around the battery for a long time after it has been charged. The slightest spark can ignite the hydrogen and cause an explosion. Such an explosion can shatter the battery and cause blindness or other serious injury.

Maintenance

Use battery charger plug to keep the battery charged and ready for use. Battery charging should be done in a dry location.

1. Plug charger into "Battery Charger Input" jack, located on the control panel. Plug wall receptacle end of the battery charger into a 120 Volt AC wall outlet.
2. Unplug battery charger from wall outlet and control panel jack when generator is going to be in use.

NOTE:

Do not use the battery charger for more than 48 hours at one charge.

3.1 MAINTENANCE SCHEDULE

Follow the calendar intervals. More frequent service is required when operating in adverse conditions noted below.

Check Oil Level	At Each Use
Change Oil and Oil Filter ‡	*Every Season/Every 100 Hours
Clean Spark Arrestor Screen	**Every Season/Every 100 Hours
Service Air Filter	**Every Season/Every 200 Hours
Replace Spark Plug	Every Season

‡ Change oil after first 30 hours of operation then every season.

* Change oil and oil filter every month when operating under heavy load or in high temperatures.

** Clean more often under dirty or dusty operating conditions. Replace air filter parts if very dirty.

3.2 PRODUCT SPECIFICATIONS

3.2.1 GENERATOR SPECIFICATIONS

Model #.....	005800, 005747
Rated Max. Power.....	8.0 kW**
Surge Power.....	10 kW
Rated AC Voltage.....	120/240
Rated Max AC Load	
Current @ 240V.....	33.3 Amps**
Current @ 120V.....	66.7 Amps**
Rated Frequency.....	60 Hz @ 3600 RPM
Phase.....	Single Phase
Rated DC Voltage.....	12 Volts
Battery Type.....	10 AH, 12VDC

Model #.....	005797, 005798
Rated Max. Power.....	7.0 kW**
Surge Power.....	8.75 kW
Rated AC Voltage.....	120/240
Rated Max AC Load	
Current @ 240V.....	29.2 Amps**
Current @ 120V.....	58.3 Amps**
Rated Frequency.....	60 Hz @ 3600 RPM
Phase.....	Single Phase
Rated DC Voltage.....	12 Volts
Battery Type.....	10 AH, 12VDC

Model #.....	005796
Rated Max. Power.....	6.5 kW**
Surge Power.....	8.13 kW
Rated AC Voltage.....	120/240
Rated Max AC Load	
Current @ 240V.....	27.1 Amps**
Current @ 120V.....	54.2 Amps**
Rated Frequency.....	60 Hz @ 3600 RPM
Phase.....	Single Phase
Rated DC Voltage.....	12 Volts

** Maximum wattage and current are subject to, and limited by, such factors as fuel Btu content, ambient temperature, altitude, engine condition, etc..
Maximum power decreases about 3.5% for each 1,000 feet above sea level; and will also decrease about 1% for each 6° C (10° F) above 16° C (60° F) ambient temperature.

3.2.2 ENGINE SPECIFICATIONS

Rated Horsepower @ 3600 RPM.....	14.5
Displacement.....	410cc
Spark Plug Type.....	Champion RC14YC or Equivalent
Spark Plug Part No.	OE7585
Spark Plug Gap.....	0.030 inch or (0.76 mm)
Gasoline Capacity.....	9 U.S. gallons
Oil Type.....	See Chart in "Adding Engine Oil" Section
Oil Capacity.....	w/ Filter Change = 1.5 Qts. w/o Filter Change = 1.2 Qts.
Oil Filter Part No.	070185B
Run Time/Fuel Consumption-1/2 Load ..	10 Hours / .73 gallons per hour
Class II Emission Certified	

3.2.3 EMISSIONS INFORMATION

The Environmental Protection Agency (EPA) requires that this generator comply with exhaust and evaporative emission standards. This generator is certified to meet the applicable EPA emission levels on gasoline. The emission control system on this generator consists of the following:

- Fuel System
 - ~ Carburetor
 - ~ Fuel Tank/cap
 - ~ Fuel Lines
 - ~ Evaporative Vent Lines
- Exhaust System
 - ~ Exhaust Manifold
 - ~ Muffler
- Air Induction System
 - ~ Intake Pipe/manifold
 - ~ Air Filter
- Ignition System
 - ~ Spark plug
- Exhaust System
 - ~ Exhaust Manifold

It is important to perform the service specified in the Maintenance Schedule to ensure that the generator complies with the applicable emission standards for the duration of its useful life. Additionally, emissions critical maintenance must be performed as scheduled in order for the Emissions Warranty to be valid. Emissions critical maintenance consists of servicing the air filter and spark plugs in accordance with the Maintenance Schedule. Service and repairs may be performed by any capable person or repair shop.

3.3 GENERAL RECOMMENDATIONS

The warranty of the generator does not cover items that have been subjected to operator abuse or negligence. To receive full value from the warranty, the operator must maintain the generator as instructed in this manual.

Some adjustments will need to be made periodically to properly maintain the generator.

All adjustments in the Maintenance section of this manual should be made at least once each season. Follow the requirements in the "Maintenance Schedule".

NOTE:

Once a year replace the spark plug and replace the air filter. A new spark plug and clean air filter assure proper fuel-air mixture and help the engine run better and last longer.

3.3.1 GENERATOR MAINTENANCE

Generator maintenance consists of keeping the unit clean and dry. Operate and store the unit in a clean dry environment where it will not be exposed to excessive dust, dirt, moisture or any corrosive vapors. Cooling air slots in the generator must not become clogged with snow, leaves, or any other foreign material.

Check the cleanliness of the generator frequently and clean when dust, dirt, oil, moisture or other foreign substances are visible on its exterior surface.

⚠ CAUTION!

⚠ Never insert any object or tool through the air cooling slots, even if the engine is not running.

NOTE:

DO NOT use a garden hose to clean generator. Water can enter the engine fuel system and cause problems. In addition, if water enters the generator through cooling air slots, some water will be retained in voids and crevices of the rotor and stator winding insulation. Water and dirt buildup on the generator internal windings will eventually decrease the insulation resistance of these windings.

3.3.2 TO CLEAN THE GENERATOR

- Use a damp cloth to wipe exterior surfaces clean.
- A soft, bristle brush may be used to loosen caked on dirt, oil, etc.
- A vacuum cleaner may be used to pick up loose dirt and debris.
- Low pressure air (not to exceed 25 psi) may be used to blow away dirt. Inspect cooling air slots and openings on the generator. These openings must be kept clean and unobstructed.

3.3.3 ENGINE MAINTENANCE

⚠ CAUTION!

⚠ When working on the generator, always disconnect negative cable from battery. Also disconnect spark plug wire from spark plug and keep wire away from spark plug.

3.3.4 CHECKING OIL LEVEL

See the "BEFORE STARTING THE GENERATOR" section for information on checking the oil level. The oil level should be checked before each use, or at least every eight hours of operation. Keep the oil level maintained.

3.3.5 CHANGING THE OIL AND OIL FILTER

Change the oil and filter after the first 30 hours of operation. Change the oil every 100 hours or every season thereafter. If running this unit under dirty or dusty conditions, or in extremely hot weather, change the oil more often.

⚠ DANGER!

⚠ Hot oil may cause burns. Allow engine to cool before draining oil. Avoid prolonged or repeated skin exposure with used oil. Thoroughly wash exposed areas with soap.

Use the following instructions to change the oil:

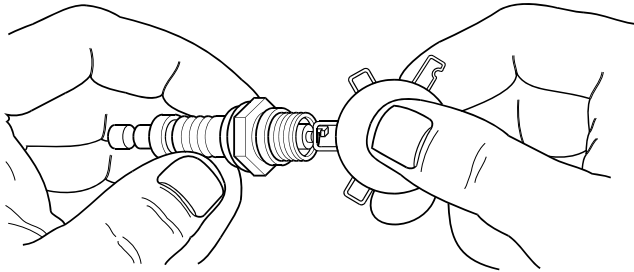
- Clean area around oil drain cap.
- Remove oil drain cap from the drain hose and oil fill plug to drain oil completely into a suitable container.
- When oil has completely drained, install oil drain cap and tighten securely.
- Place a suitable container beneath the oil filter and turn filter counterclockwise to remove. Discard according to local regulations.
- Coat gasket of new filter with clean engine oil. Turn filter clockwise until gasket contacts lightly with filter adapter. Then tighten an additional 3/4 turn.
- Fill oil sump with recommended oil and replace the oil fill plug. (See "Before Starting the Generator" for oil recommendations).
- Wipe up any spilled oil.
- Dispose of used oil at a proper collection center.

3.3.6 REPLACING THE SPARK PLUG

Use Champion RC14YC spark plug or equivalent. **Replace the plug once each year.** This will help the engine start easier and run better.

1. Stop the engine and pull the spark plug wire off of the spark plug.
2. To gain access, remove the four (4) socket head screws and take off the side panel.
3. Clean the area around the spark plug and remove it from the cylinder head.
4. Set the spark plug's gap to .76 mm (0.030 in.). Install the correctly gapped spark plug into the cylinder head (Figure 13).
5. Push the boot firmly on the spark plug and install side panel.

Figure 13 – Spark Plug Gap



3.4 SERVICE AIR FILTER

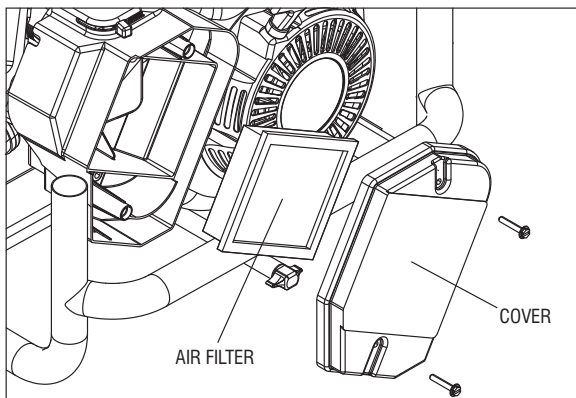
The engine will not run properly and may be damaged if using a dirty air filter. Clean or replace the air filter paper filter every 200 hours or once a year (Figure 14). Clean or replace more often if operating under dusty conditions. To clean or replace paper air filter:

- Remove air filter cover and remove paper filter (Figure 14).
- Clean paper filter by tapping it gently on a solid surface. If the filter is too dirty, replace it with a new one. Dispose of the old filter properly.
- Clean air filter cover. Next insert new paper filter into the base of the air filter. Re-install air filter cover.

NOTE:

To order a new air filter, please contact the nearest authorized service center at 1-888-GENERAC. The air filter part number is 073111.

Figure 14 – Air Filter



3.5 CLEAN SPARK ARRESTOR SCREEN

The engine exhaust muffler has a spark arrestor screen. Inspect and clean the screen at least once each year (Figure 15). If unit is used regularly, inspect and clean more often.

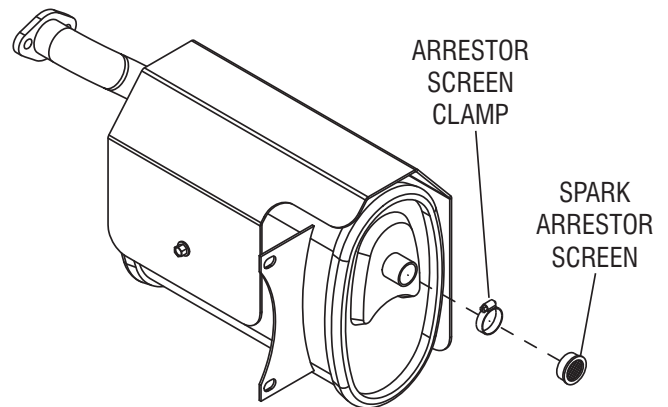
⚠ DANGER!

⚠ If using the generator on any forest-covered, brush-covered or grass-covered unimproved land, it must be equipped with a spark arrestor. The spark arrestor must be maintained in good condition by the owner/operator.

Clean and inspect the spark arrestor when the engine is at ambient temperature as follows:

- Loosen the clamp and remove the spark arrestor screen from the muffler.
- Inspect screen and replace if torn, perforated or otherwise damaged. DO NOT USE a defective screen. If screen is not damaged, clean it with commercial solvent.
- Replace the spark arrestor and secure with the clamp.

Figure 15 – Spark Arrestor Screen



3.6 GENERAL

The generator should be started at least once every 30 days and be allowed to run at least 30 minutes. If this cannot be done and the unit must be stored for more than 30 days, use the following information as a guide to prepare it for storage.

⚠ DANGER!

⚠ NEVER store engine with fuel in tank indoors or in enclosed, poorly ventilated areas where fumes may reach an open flame, spark or pilot light as on a furnace, water heater, clothes dryer or other gas appliance.

⚠ Allow unit to cool entirely before storage.

3.7 LONG TERM STORAGE

It is important to prevent gum deposits from forming in essential fuel system parts such as the carburetor, fuel hose or tank during storage. To avoid engine problems, the fuel system should be emptied before storage of 30 days or longer, as follows:

- Remove all gasoline from the fuel tank.

⚠ CAUTION!

⚠ Drain fuel into approved container outdoors, away from open flame. Be sure engine is cool. Do not smoke in the vicinity or light a cigarette.

- Start and run engine until engine stops from lack of fuel.
- Allow the engine to cool, then drain oil from crankcase. Refill with recommended grade.
- Remove spark plug and pour about 1/2 ounce (15 ml) of engine oil into the cylinder. Cover spark plug hole with rag. Pull the recoil starter a couple times to lubricate the piston rings and cylinder bore.

⚠ CAUTION!

⚠ Avoid spray from spark plug hole when cranking engine.

- Install and tighten spark plug. Do not connect the spark plug wire.
- Clean the generator outer surfaces. Check that cooling air slots and openings on generator are open and unobstructed.
- Store the unit in a clean, dry place.

3.8 OTHER STORAGE TIPS

- Do not store gasoline from one season to another.
- Replace any gasoline can that starts to rust. Rust and/or dirt in the gasoline will cause problems with the carburetor and fuel system.
- If possible, store the unit indoors and cover it to give protection from dust and dirt. Cover the unit with a suitable protective cover that does not retain moisture.
- **BE SURE TO EMPTY THE FUEL TANK.** If it is not practical to empty the fuel tank and the unit is to be stored for some time, use a commercially available fuel stabilizer added to the gasoline to increase the life of the gasoline.

⚠ CAUTION!

⚠ NEVER cover the generator while engine and exhaust area are warm.

4.1 BATTERY REPLACEMENT (XG7000E & XG8000E)

NOTE:

The battery shipped with the generator has been fully charged. A battery may lose some of its charge when not in use for prolonged periods of time. If the battery is unable to crank the engine, plug in the 12V charger included in the accessory box (see the Charging a Battery section). RUNNING THE GENERATOR DOES NOT CHARGE THE BATTERY.

The battery shipped with the generator has been provided fully charged. To replace the battery (See Figure 16):

- Remove the side panel as shown. Remove the four bolts securing the fuel tank.
- Turn the fuel valve on the control panel to the "OFF" position. Pull the fuel tank back slightly and remove the fuel hose that runs from the engine to the fuel valve.

⚠ CAUTION!

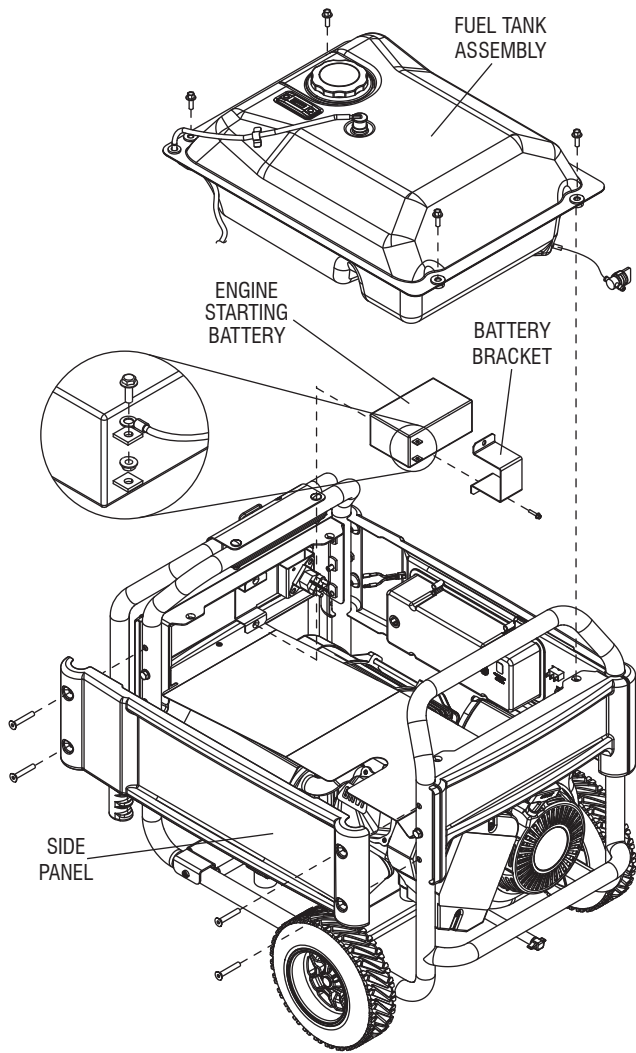
⚠ Drain fuel into approved container outdoors, away from open flame. Be sure engine is cool. Do not smoke in the vicinity or light a cigarette.

- Disconnect the recovery hose from the rollover valve. Push the hose through the grommet in the corner of the fuel tank. This will allow for removal of the fuel tank.
- Push the fuel valve from the control panel and remove the fuel tank.
- Remove the battery wire connections (black wire first) and the battery hold-down bracket.
- Replace the battery, connecting the RED wire to the POSITIVE (+) terminal and the BLACK wire to the NEGATIVE (-) terminal

NOTE:

Start all four screws on the side panel before tightening or it may not be possible to get all the screws in place.

Figure 16 – Battery Removal



5.1 TROUBLESHOOTING GUIDE

PROBLEM	CAUSE	CORRECTION
Engine is running, but no AC output is available.	<ol style="list-style-type: none"> 1. Circuit breaker is open. 2. Poor connection or defective cord set. 3. Connected device is bad. 4. Fault in generator. 5. GFCI trips the 20 Amp outlet. 	<ol style="list-style-type: none"> 1. Reset circuit breaker. 2. Check and repair. 3. Connect another device that is in good condition. 4. Contact Authorized Service Facility. 5. Repair the "short" and reset the GFCI.
Engine runs good but bogs down when loads are connected.	<ol style="list-style-type: none"> 1. Short circuit in a connected load. 2. Generator is overloaded. 3. Engine speed is too slow. 4. Shorted generator circuit. 	<ol style="list-style-type: none"> 1. Disconnect shorted electrical load. 2. See "Don't Overload the Generator" . 3. Contact Authorized Service Facility. 4. Contact Authorized Service Facility.
Engine will not crank.	<ol style="list-style-type: none"> 1. Battery weak or dead. 	<ol style="list-style-type: none"> 1. Recharge or replace battery (see "No Battery Charger DC output" at bottom of guide). 2. Start engine manually using recoil starter.
Engine will not start; or starts and runs rough.	<ol style="list-style-type: none"> 1. Fuel shut-off is OFF. 2. Dirty air filter. 3. Out of gasoline. 4. Stale gasoline. 5. Spark plug wire not connected to spark plug. 6. Bad spark plug. 7. Water in gasoline. 8. Over-choking. 9. Low oil level. 10. Excessive rich fuel mixture. 11. Intake valve stuck open or closed. 12. Engine has lost compression. 	<ol style="list-style-type: none"> 1. Turn Fuel shut-off ON. 2. Clean or replace air filter. 3. Fill fuel tank. 4. Drain fuel tank and fill with fresh fuel. 5. Connect wire to spark plug. 6. Replace spark plug. 7. Drain fuel tank; fill with fresh fuel. 8. Put choke knob to No Choke position. 9. Fill crankcase to proper level. 10. Contact Authorized Service Facility. 11. Contact Authorized Service Facility. 12. Contact Authorized Service Facility.
Engine shuts down during operation.	<ol style="list-style-type: none"> 1. Out of gasoline. 2. Low oil level. 3. Fault in engine. 	<ol style="list-style-type: none"> 1. Fill fuel tank. 2. Fill crankcase to proper level. 3. Contact Authorized Service Facility.
Engine lacks power.	<ol style="list-style-type: none"> 1. Load is too high. 2. Dirty air filter. 3. Engine needs to be serviced. 	<ol style="list-style-type: none"> 1. See "Don't Overload the Generator". 2. Replace air filter. 3. Contact Authorized Service Facility.
Engine "hunts" or falters.	<ol style="list-style-type: none"> 1. Choke is opened too soon. 2. Carburetor is running too rich or too lean. 	<ol style="list-style-type: none"> 1. Move choke to halfway position until engine runs smoothly. 2. Contact Authorized Service Facility.
No Battery Charger DC output.	<ol style="list-style-type: none"> 1. Battery posts are corroded. 2. Battery cable is bad. 3. Battery is defective. 4. Receptacle is bad. 5. Battery Charger in-line fuse (1.5A) melted open. 	<ol style="list-style-type: none"> 1. Clean battery posts. 2. Replace cable. 3. Check battery condition; replace if defective. 4. Contact Authorized Service Facility. 5. Replace fuse with identical 1.5A replacement fuse only (located inside control panel).

Warranty

U.S. EPA EMISSION CONTROL WARRANTY STATEMENT YOUR WARRANTY RIGHTS AND OBLIGATIONS

The United States Environmental Protection Agency (EPA) and Generac Power Systems, Inc. (Generac) are pleased to explain the Emission Control System Warranty (ECS Warranty) on your new 2011 and later equipment. New equipment that use small spark-ignited engines must be designed, built, and equipped to meet stringent anti-smog standards for the federal government. Generac will warrant the emission control system on your equipment for the period of time listed below provided there has been no abuse, neglect, unapproved modification or improper maintenance of your equipment. The emission control system on this equipment includes all components whose failure would increase the emissions of any regulated pollutant. These components are listed in the Emissions Information section of this manual.

MANUFACTURER'S WARRANTY COVERAGE:

This ECS Warranty is valid for two years, or for the same period as specified in the Generac Limited Warranty, whichever is longer. For equipment with hour meters, the warranty period is a number of hours equal to half the Useful Life to which the equipment is certified, or the warranty period specified above in years, whichever is less. The Useful Life can be found on the Emission Control Label on the engine. If, during such warranty period, any emission-related part on your equipment is found to be defective in materials or workmanship, repairs or replacement will be performed by a Generac Authorized Warranty Service Dealer.

OWNER'S WARRANTY RESPONSIBILITIES:

As the equipment owner, you are responsible for the completion of all required maintenance as listed in your factory supplied Owner's Manual. For warranty purposes, Generac recommends that you retain all receipts covering maintenance on your generator, but Generac cannot deny warranty solely due to the lack of receipts.

You should be aware that Generac may deny any and/or all warranty coverage or responsibility if your equipment, or a part/component thereof, has failed due to abuse, neglect, improper maintenance, or unapproved modifications.

You are responsible for contacting a Generac Authorized Warranty Dealer as soon as a problem occurs. The warranty repairs should be completed in a reasonable amount of time, not to exceed 30 days.

Warranty service can be arranged by contacting either your selling dealer or a Generac Authorized Warranty Service Dealer. To locate the Generac Authorized Warranty Service Dealer nearest you, call our toll free number below, or email emissions@generac.com.

1-800-333-1322

IMPORTANT NOTE: This warranty statement explains your rights and obligations under the Emission Control System Warranty, which is provided to you by Generac pursuant to federal law. See also the "Generac Limited Warranties for Generac Power Systems, Inc.," which is enclosed herewith on a separate sheet, also provided to you by Generac. Note that this warranty shall not apply to any incidental, consequential or indirect damages caused by defects in materials or workmanship or any delay in repair or replacement of the defective part(s). This warranty is in place of all other warranties, expressed or implied. Specifically, Generac makes no other warranties as to the merchantability or fitness for a particular purpose. Any implied warranties which are allowed by law, shall be limited in duration to the terms of the express warranty provided herein. Some states do not allow limitations on how long an implied warranty lasts, so the above limitation may not apply to you.

The ECS Warranty applies only to the emission control system of your new equipment. Both the ECS Warranty and the Generac Warranty describe important rights and obligations with respect to your new engine.

Warranty service can be performed only by a Generac Authorized Warranty Service Facility. When requesting warranty service, evidence must be presented showing the date of the sale to the original purchaser/owner.

If you have any questions regarding your warranty rights and responsibilities, you should contact Generac at the following address:

**ATTENTION WARRANTY DEPARTMENT
GENERAC POWER SYSTEMS, INC.
P.O. BOX 297 • WHITEWATER, WI 53190**

Warranty

EMISSION CONTROL SYSTEM WARRANTY

Emission Control System Warranty (ECS Warranty) for equipment using small spark-ignited engines:

- (a) Applicability: This warranty shall apply to equipment that uses small off-road engines. The ECS Warranty period shall begin on the date the new equipment is purchased by/delivered to its original, end-use purchaser/owner and shall continue for the lesser of:
- (1) The period of time specified in the Generac Limited Warranty enclosed herewith, but not less than 24 months, or
 - (2) For engines equipped with hour meters, a number of operating hours equal to half of the engine's useful life. The useful life is specified on the Emissions Control Label on the engine.
- (b) General Emissions Warranty Coverage: Generac warrants to the original, end-use purchaser/owner of the new engine or equipment and to each subsequent purchaser/owner that the ECS when installed was:
- (1) Designed, built and equipped so as to conform with all applicable regulations; and
 - (2) Free from defects in materials and workmanship which cause the failure of a warranted part at any time during the ECS Warranty Period.
- (c) The warranty on emissions-related parts will be interpreted as follows:
- (1) Any warranted part that is not scheduled for replacement as required maintenance in the Owner's Manual shall be warranted for the ECS Warranty Period. If any such part fails during the ECS Warranty Period, it shall be repaired or replaced by Generac according to Subsection (4) below. Any such part repaired or replaced under the ECS Warranty shall be warranted for the remainder of the ECS Warranty Period.
 - (2) Any warranted part that is scheduled only for regular inspection as specified in the Owner's Manual shall be warranted for the ECS Warranty Period. A statement in the Owner's Manual to the effect of "repair or replace as necessary" shall not reduce the ECS Warranty Period. Any such part repaired or replaced under the ECS Warranty shall be warranted for the remainder of the ECS Warranty Period.
 - (3) Any warranted part that is scheduled for replacement as required maintenance in the Owner's Manual shall be warranted for the period of time prior to first scheduled replacement point for that part. If the part fails prior to the first scheduled replacement, the part shall be repaired or replaced by Generac according to Subsection (4) below. Any such emissions-related part repaired or replaced under the ECS warranty shall be warranted for the remainder of the period prior to the first scheduled replacement point for that part.
 - (4) Repair or replacement of any warranted, emissions-related part under this ECS Warranty shall be performed at no charge to the owner at a Generac Authorized Warranty Service Facility.
 - (5) Notwithstanding the provisions of subsection (4) above, warranty services or repairs must be provided at Generac Authorized Service Facilities.
 - (6) When the engine is inspected by a Generac Authorized Warranty Service Facility, the purchaser/owner shall not be held responsible for diagnostic costs if the repair is deemed warrantable.
 - (7) Throughout the ECS Warranty Period, Generac shall maintain a supply of warranted emission-related parts sufficient to meet the expected demand for such parts.
 - (8) Any Generac authorized and approved emission-related replacement parts may be used in the performance of any ECS Warranty maintenance or repairs and will be provided without charge to the purchaser/owner. Such use shall not reduce Generac's ECS Warranty obligations.
 - (9) No modifications, other than those explicitly approved by Generac, may be made to the generator. Unapproved modifications void this ECS Warranty and shall be sufficient ground for disallowing an ECS Warranty claim.
 - (10) Generac shall not be held liable hereunder for failures of any non-authorized replacement parts, or failures of any authorized parts caused by the use of non-authorized replacement parts.

EMISSION RELATED PARTS MAY INCLUDE THE FOLLOWING (IF EQUIPPED):

- | | |
|----------------------------------|--------------------------|
| 1) FUEL METERING SYSTEM | 3) IGNITION SYSTEM |
| A. CARBURETOR AND INTERNAL PARTS | A. SPARK PLUGS |
| B. FUEL TANK/CAP | B. IGNITION COILS/MODULE |
| C. FUEL LINES | 4) AIR INJECTION SYSTEM |
| D. EVAPORATIVE VENT LINES | A. PULSE AIR VALVE |
| E. REGULATOR (GASEOUS FUELS) | 5) EXHAUST SYSTEM |
| 2) AIR INDUCTION SYSTEM | A. CATALYST |
| A. INTAKE MANIFOLD | B. EXHAUST MANIFOLD |
| B. AIR FILTER | |

Part 2 of 2

Warranty

GENERAC POWER SYSTEMS “TWO YEAR” LIMITED WARRANTY FOR GP, LP, XG AND XT SERIES PORTABLE GENERATORS

For a period of two (2) years from the date of original sale, Generac Power Systems, Inc. (Generac) warrants its GP, LP, XG and XT Series generators will be free from defects in materials and workmanship for the items and period set forth below. Generac will, at its discretion, repair or replace any part that, upon examination, inspection and testing by Generac or a Generac Authorized Warranty Service Dealer, is found to be defective. Repair or replacement pursuant to this limited warranty shall not renew or extend the original warranty period. Any repaired product shall be warranted for the remaining original warranty period only. Any equipment that the purchaser/owner claims to be defective must be returned to and examined by the nearest Generac Authorized Warranty Service Dealer. All transportation costs under the warranty, including return to the factory, are to be borne and prepaid by the purchaser/owner. This warranty applies only to Generac GP, LP, XG and XT Series portable generators and is not transferable from original purchaser. Save your proof-of-purchase receipt. If you do not provide proof of the initial purchase date, the manufacturer's shipping date of the product will be used to determine the warranty period.

WARRANTY SCHEDULE

Consumer applications are warranted for two (2) years. Commercial and Rental applications are warranted for one (1) year or 1000 hours maximum, whichever comes first.

CONSUMER APPLICATION

YEAR ONE – Limited comprehensive coverage on Labor and Part(s) listed (proof of purchase and maintenance is required):

- Engine- All Components
- Alternator- All Components

YEAR TWO – Limited comprehensive coverage on Part(s) listed (proof of purchase and maintenance is required):

- Engine- All Components
- Alternator- All Components

COMMERCIAL/RENTAL APPLICATION

YEAR ONE – Limited comprehensive coverage on Labor and Part(s) listed (proof of purchase and maintenance is required):

- Engine- All Components
- Alternator- All Components

NOTE: For the purpose of this warranty “consumer use” means personal residential household or recreational use by original purchaser. This warranty does not apply to units used for Prime Power in place of utility where utility power service is present or where utility power service does not normally exist. Once a generator has experienced commercial or rental use, it shall thereafter be considered a non-consumer use generator for the purpose of this warranty.

GUIDELINES:

1. All warranty repairs, must be performed and/or addressed by an Authorized/Certified Generac Dealer, or branch thereof.
2. Units that have been resold are not covered under the Generac Warranty, as this Warranty is not transferable.
3. Damage to any covered components or consequential damages caused by the use of a non-OEM part will not be covered by the warranty.
4. Generac may choose to Repair, Replace or Refund a piece of equipment.
5. Warranty Labor Rates are based on normal working hours. Additional costs for overtime, holiday or emergency labor costs for repairs outside of normal business hours will be the responsibility of the customer.
6. Warranty Parts shipment costs are reimbursed at ground shipment rates. Costs related to requests for expedited shipping will be the responsibility of the customer.
7. Batteries are warranted by the battery manufacturer.
8. Verification of required maintenance may be required for warranty coverage.

THIS WARRANTY SHALL NOT APPLY TO THE FOLLOWING:

1. Costs of normal maintenance and adjustments.
2. Failures caused by any contaminated fuels, oils or lack of proper oil levels.
3. Repairs or diagnostics performed by individuals other than Generac authorized dealers not authorized in writing by Generac.
4. Failures due, but not limited to, normal wear and tear, accident, misuse, abuse, negligence or improper use.
5. As with all mechanical devices, the Generac engines need periodic part(s) service and replacement to perform as designed. This warranty will not cover repair when normal use has exhausted the life of a part(s) or engine.
6. Failures caused by any external cause or act of God, such as collision, theft, vandalism, riot or wars, nuclear holocaust, fire, lightning, earth-quake, windstorm, hail, volcanic eruption, water or flood, tornado or hurricane.
7. Damage related to rodent and/or insect infestation.
8. Products that are modified or altered in a manner not authorized by Generac in writing.
9. Any incidental, consequential or indirect damages caused by defects in materials or workmanship, or any delay in repair or replacement of the defective part(s).
10. Failure due to misapplication.
11. Expenses related to “customer instruction” or troubleshooting where no manufacturing defect is found.
12. Rental equipment used while warranty repairs are being performed.
13. Starting batteries, fuses, light bulbs and engine fluids.

Warranty

THIS WARRANTY IS IN PLACE OF ALL OTHER WARRANTIES, EXPRESSED OR IMPLIED. SPECIFICALLY, GENERAC MAKES NO OTHER WARRANTIES AS TO THE MERCHANTABILITY OR FITNESS FOR A PARTICULAR PURPOSE. Any implied warranties allowed by law shall be limited in duration to the terms of the express warranty provided herein. Some states do not allow limitations on how long an implied warranty lasts, so the above limitation may not apply to you. GENERAC'S ONLY LIABILITY SHALL BE THE REPAIR OR REPLACEMENT OF PART(S) AS STATED ABOVE. IN NO EVENT SHALL GENERAC BE LIABLE FOR ANY INCIDENTAL OR CONSEQUENTIAL DAMAGES, EVEN IF SUCH DAMAGES ARE A DIRECT RESULT OF GENERAC'S NEGLIGENCE. Some states do not allow the exclusion or limitation of incidental or consequential damages, so the above limitation may not apply to you. This warranty gives you specific legal rights. You also have other rights from state to state.

FOR AUSTRALIA ONLY: Our goods come with guarantees that cannot be excluded under the Australian Consumer Law. You are entitled to a replacement or refund for a major failure and for compensation for any other reasonably foreseeable loss or damage. You are also entitled to have the goods repaired or replaced if the goods fail to be of acceptable quality and the failure does not amount to a major failure. For Service or other product inquiries in Australia, please contact Allpower by phone at 1800-333-428 or visit Allpower's website at www.allpower.com.au.

FOR NEW ZEALAND ONLY: Nothing in this warranty statement excludes, restricts or modifies any condition, warranty right or remedy which pursuant to the New Zealand Legislation (Commonwealth or State) including the Fair Trading Practices Act of 1986 or the Consumer Guarantees Act 1993 ("CGA") applies to this limited warranty and may not be so excluded, restricted or modified. Nothing in this statement is intended to have the effect of contracting out of the provisions of the CGA, except to the extent permitted by that Act, and these terms are to be modified to the extent necessary to give effect to that intention. If you acquire goods from Generac Power Systems or any of its authorized resellers and distributors for the purposes of a business, then pursuant to section 43(2) of the CGA, it is agreed that the provisions of the CGA do not apply. For Service or other product inquiries in New Zealand, please contact Allpower by phone at 09-269-1160 or visit Allpower's website at www.allpower.com.nz.

GENERAC POWER SYSTEMS, INC. • P.O. BOX 8 • Waukesha, WI 53187

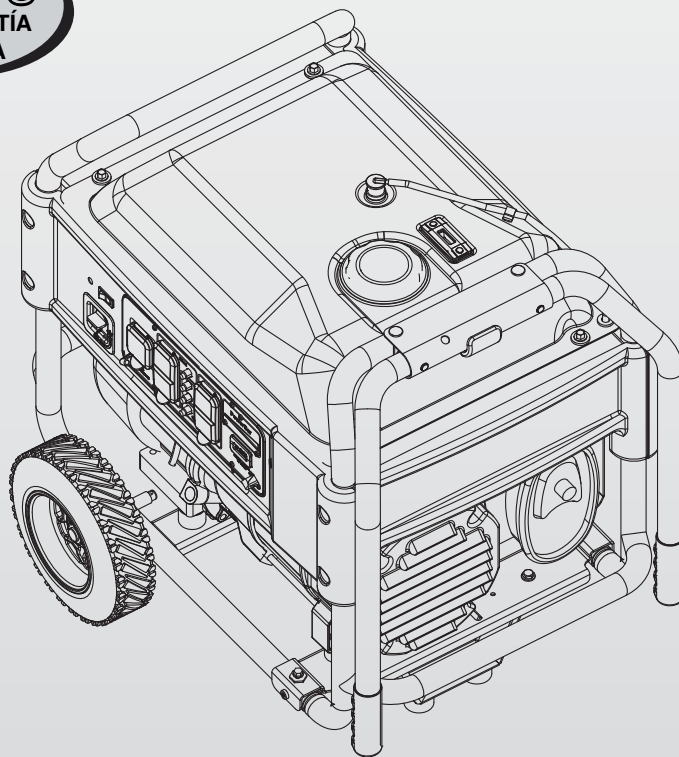
Ph: (888) GENERAC (436-3722) • Fax: (262) 544-4851

To locate the nearest Authorized Dealer visit our website www.generac.com

Manual del propietario

Generadores portátiles serie XG de
6,500-8,000 vatios

2 AÑOS
DE GARANTÍA
LIMITADA



⚠ PELIGRO

- ⚠ ¡HUMOS DE ESCAPE MORTALES! ¡Utilícelo SOLAMENTE al AIRE LIBRE y lejos de ventanas, puertas y respiraderos!
- ⚠ NO DISEÑADO PARA SER USADO EN APLICACIONES DE SOPORTE DE VIDA CRÍTICA.
- ⚠ GUARDE este Manual. Proporcione este manual a cualquier operador del generador.

Índice

Introducción	25	Mantenimiento	36
Lea este manual completamente	25	3.1 Programa de mantenimiento.....	36
Reglas de seguridad	25	3.2 Especificaciones del producto.....	36
Índice de estándares.....	27	3.3 Recomendaciones generales.....	37
Información general	28	3.4 Servicio del filtro de aire.....	38
1.1 Desempaque.....	28	3.5 Limpiar pantalla del supresor de chispas.....	38
1.2 Unidad.....	28	3.6 General.....	38
Funcionamiento	29	3.7 Almacenamiento de largo plazo.....	38
2.1 Conozca el generador.....	29	3.8 Otras recomendaciones de almacenamiento.....	39
2.2 Horómetro - No reiniciar.....	30	Servicio a la batería	39
2.3 Horómetro - Con reajuste.....	30	4.1 Sustitución de la batería (XG7000E y XG8000E).....	39
2.4 Juego de cables y conectores.....	31	Resolución de problemas	40
2.5 Cómo usar este generador.....	31	5.1 Guía de detección de problemas.....	40
2.6 No sobrecargue el generador.....	33	Garantía	41
2.7 Guía de referencia de potencias.....	33		
2.8 Antes de arrancar el generador.....	33		
2.9 Arranque del motor.....	34		
2.10 Cómo detener el Motor.....	35		
2.11 Sistema de apagado por baja presión de aceite.....	35		
2.12 Carga de la batería (XG7000E y XG8000E).....	35		

ADVERTENCIA!

Proposición 65 de California

El escape del motor y algunos de sus componentes son conocidos por el Estado de California como causa de cáncer, defectos congénitos y otros daños reproductivos.

ADVERTENCIA!

Proposición 65 de California

Este producto contiene o emite sustancias químicas que son conocidas por el Estado de California como causa de cáncer, defectos congénitos y otros daños reproductivos.

INTRODUCCIÓN

Gracias por comprar este modelo de Generac Power Systems, Inc. Este modelo es un generador impulsado por motor, refrigerado por aire, compacto y de alto rendimiento diseñado para proporcionar energía eléctrica para operar cargas eléctricas donde no haya servicio público de electricidad o en reemplazo de la red eléctrica en caso de apagones.

LEA ESTE MANUAL COMPLETAMENTE

Si alguna parte de este manual no se entiende bien, póngase en contacto con el concesionario autorizado más cercano para conocer los procedimientos de arranque, operación y servicio.

El operador es responsable del uso apropiado y seguro de este equipo. Recomendamos encarecidamente que el operador lea este manual y entienda completamente todas las instrucciones antes de usar este equipo. Asimismo recomendamos con igual firmeza el instruir a otros usuarios para arrancar y operar apropiadamente la unidad. Esto los prepara si necesitan operar el equipo en alguna emergencia.

El generador puede operar en forma segura, eficiente y confiable sólo si se le ubica, se le opera y mantiene en forma apropiada. Antes de operar o dar servicio al generador:

- Familiarícese y adhiérase estrictamente a todos los códigos y regulaciones locales, estatales y nacionales.
- Estudie todas las advertencias de seguridad en este manual y en el producto con mucho cuidado.
- Familiarícese con este manual y la unidad antes de usarla.

El fabricante no puede anticipar todas las posibles circunstancias que puedan involucrar peligros. Las advertencias en este manual y en las etiquetas y calcomanías fijadas en la unidad son, por tanto, no completamente inclusivas. Si se usa un procedimiento, método de trabajo o técnica de operación que el fabricante no recomienda específicamente, asegúrese de que sea seguro para los demás. Asimismo asegúrese que el procedimiento, método de trabajo o técnica de operación utilizada no vuelva inseguro al generador.

LA INFORMACIÓN CONTENIDA AQUÍ SE BASÓ EN MÁQUINAS EN PRODUCCIÓN AL MOMENTO DE LA PUBLICACIÓN. GENERAC SE RESERVA EL DERECHO DE MODIFICAR ESTE MANUAL EN CUALQUIER MOMENTO.

REGLAS DE SEGURIDAD

A lo largo de esta publicación, y en lo que respecta a las etiquetas y calcomanías fijadas en el generador, los bloques de PELIGRO, ADVERTENCIA, CUIDADO Y NOTA se usan para alertar al personal sobre instrucciones especiales sobre una operación en particular que puede ser peligrosa si se ejecuta en forma incorrecta o sin cuidado. Obsérvelas con cuidado. Sus definiciones son como sigue:

PELIGRO

INDICA UNA SITUACIÓN PELIGROSA O ACCIÓN QUE, SI NO SE EVITA, TRAERÁ COMO RESULTADO LA MUERTE O UN DAÑO SERIO.

ADVERTENCIA

Indica una situación peligrosa o acción que, si no se evita, podría traer como resultado la muerte o un daño serio.

PRECAUCIÓN


Indica una situación peligrosa o acción que, si no se evita, puede traer como resultado un daño menor o moderado.

NOTA:

Las notas contienen información adicional importante para un procedimiento y se les encontrará dentro del cuerpo de este manual.


Estas advertencias de seguridad no pueden eliminar los peligros que indican. El sentido común y un estricto cumplimiento de las instrucciones especiales cuando se realiza la acción o servicio son esenciales para evitar accidentes.

Cuatro símbolos de seguridad usados comúnmente acompañan los bloques de **PELIGRO**, **ADVERTENCIA** y **CUIDADO**. El tipo de información que cada uno indica es como sigue:

 **Este símbolo señala importante información de seguridad que, si no se sigue, puede poner en peligro la seguridad personal y/o las propiedades de otros.**

 **Este símbolo indica un peligro potencial de explosión.**

 **Este símbolo indica un peligro potencial de incendio.**

 **Este símbolo indica un peligro potencial de choque eléctrico.**

PELIGROS GENERALES

- NUNCA opere en un área cerrada o en interiores, en un vehículo, incluso si las puertas y ventanas están abiertas.
- Por razones de seguridad, el fabricante recomienda que el mantenimiento de este equipo sea llevado a cabo por un concesionario autorizado. Inspeccione el generador con regularidad, y póngase en contacto con el concesionario autorizado más cercano si necesita repararlo o conseguir repuestos.
- Opere el generador sólo en superficies planas y donde no esté expuesto a excesiva humedad, suciedad, polvo o vapores corrosivos.
- Mantenga las manos, pies, ropa, etc, lejos de las correas de tracción, ventiladores y otras partes móviles. Nunca retire ninguna protección o escudo de ventilador mientras la unidad esté operando.
- Ciertas partes del generador se calientan en extremo durante la operación. Aléjese del generador hasta que se haya enfriado para evitar quemaduras severas.
- NO opere el generador en la lluvia.
- No altere la construcción del generador ni cambie los controles de modo que puedan crear una condición de operación no segura.
- Nunca arranque o detenga la unidad con cargas eléctricas conectadas a las tomas Y con dispositivos conectados y encendidos. Arranque el motor y deje que se estabilice antes de conectar las cargas eléctricas. Desconecte todas las cargas eléctricas antes de apagar el generador.
- No inserte objetos a través de las ranuras de enfriamiento de la unidad.
- Al trabajar con este equipo, manténgase alerta en todo momento. Nunca trabaje en el equipo cuando esté física o mentalmente fatigado.
- Nunca use el generador ni alguna de sus partes como escalón. Pararse sobre la unidad puede tensar y romper partes, y puede traer como resultado condiciones peligrosas de operación como escape de gases, combustible o aceite.
- En los modelos de arranque eléctrico, desconecte el cable de batería POSITIVO (+) del arrancador del motor O el cable de batería NEGATIVO (-) del terminal de la batería, lo que sea más fácil, antes de transportar el generador.

Reglas de seguridad

NOTA:

Este generador está equipado con un silenciador de supresor de chispa. El dueño o el operador deben mantener el supresor de chispa en correcto estado de funcionamiento.

En el Estado de California, se requiere por ley un supresor de chispa (Sección 4442 del Código de Recursos Públicos de California). Otros estados pueden tener leyes similares.

Las leyes federales se aplican en terrenos federales.

PELIGROS DEL ESCAPE Y UBICACIÓN

- **iNunca opere en áreas cerradas o interiores! iNUNCA opere en un área cerrada, en un vehículo, o en el interior AUNQUE las puertas y ventanas están abiertas! Úselo SÓLO en exteriores y lejos de ventanas abiertas, puertas, ductos de ventilación y en áreas que no acumularán el mortal escape.**

 PELIGRO	
Si usa un generador en interiores, MORIRÁ EN POCOS MINUTOS.	
El escape del generador contiene monóxido de carbono. Es un veneno que no tiene olor ni se puede ver.	
	
NUNCA lo use dentro de una casa o garaje, AUN si las puertas y ventanas están abiertas.	Sólo úselo EN EXTERIORES y lejos de ventanas, puertas y ductos de ventilación.

- Los humos del escape del motor contienen monóxido de carbono, que no se puede oler ni ver. Este gas venenoso, si se aspira en concentraciones suficientes, puede hacerle perder la conciencia y causar la muerte.
- El flujo adecuado y sin obstrucciones de aire para ventilación y refrigeración es crítico para la correcta operación del generador. No altere la instalación ni permita que haya siquiera un bloqueo parcial de la provisión de ventilación, ya que esto puede afectar seriamente la operación segura del generador. El generador DEBE ser operado en exteriores.
- Este sistema de escape debe tener un apropiado mantenimiento. No haga nada que pueda poner en peligro la seguridad del escape o que no cumpla con algún código local o estándar.
- Siempre use una alarma de monóxido de carbono operada con baterías en los interiores, instalada de acuerdo a las instrucciones del fabricante.
- Si empieza a sentirse mal, mareado o débil luego de que el generador esté en funcionamiento, busque aire fresco **INMEDIATAMENTE**. Vaya al médico, ya que podría tener envenenamiento por monóxido de carbono.

PELIGROS ELÉCTRICOS

- El generador produce alto voltaje peligroso durante la operación. Evite el contacto con cables pelados, terminales conexiones, etc. mientras la unidad está funcionando, aún con equipo conectado al generador. Asegúrese que todas las cubiertas, protecciones y barreras apropiadas se encuentren en su lugar antes de operar el generador.
- Nunca manipule ningún cable eléctrico ni dispositivo mientras esté de pie sobre agua, con los pies descalzos o con las manos o pies húmedos. **PUEDE HABER UNA DESCARGA ELÉCTRICA COMO RESULTADO.**
- El Código Eléctrico Nacional (NEC) requiere que el marco y las partes externas que son conductores eléctricos estén conectadas apropiadamente a una conexión a tierra aprobada. Los códigos eléctricos locales pueden asimismo requerir una apropiada conexión a tierra del generador. Consulte con un electricista local los requerimientos de conexión a tierra para su área.
- Use un circuito interruptor de falla de tierra en cualquier área húmeda o altamente conductiva (como estanterías de metal o trabajos en acero).
- No use cables eléctricos gastados, pelados, deshilachados o de algún modo dañados con el generador.
- Antes de realizar cualquier mantenimiento al generador, desconecte los cables de arranque del motor (si los hubiera) para evitar un arranque accidental. Desconecte primero el cable del borne de la batería indicado como NEGATIVO, NEG; o (-). Reconecte ese cable al final.
- En caso de un accidente causado por descarga eléctrica, apague inmediatamente la fuente de energía eléctrica. Si esto no es posible, intente liberar a la víctima del conductor vivo. **EVITE EL CONTACTO DIRECTO CON LA VÍCTIMA.** Use un implemento no conductivo, como una soga seca o una tabla, para liberar a la víctima del conductor vivo. Si la víctima está inconsciente, aplique los primeros auxilios y consiga ayuda médica inmediatamente.

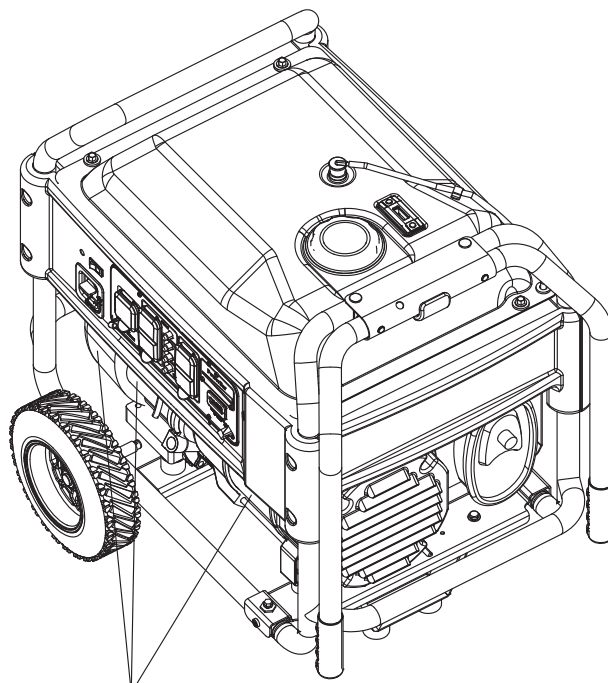
PELIGROS DE INCENDIO

- **La gasolina es altamente INFLAMABLE y sus vapores son EXPLOSIVOS. No permita que fumen, haga fuegos abiertos, chispas o calor en la vecindad mientras manipula gasolina.**
- Nunca añada gasolina mientras la unidad está funcionando o está caliente. Deje enfriar al motor completamente antes de añadir combustible.
- **Nunca llene el tanque de combustible en el interior de la casa.** Cumpla todas las leyes que regulan el almacenamiento y manipulación de gasolina.
- **No sobrecargue el tanque de combustible. Deje siempre espacio para la expansión del combustible.** Si el tanque está sobrecargado, el combustible puede desparramarse sobre el motor caliente y causar un **INCENDIO** o una **EXPLOSIÓN**. Nunca almacene el generador con combustible en el tanque donde los vapores de la gasolina pueden alcanzar llamas abiertas, chispas o fuegos piloto (como en una chimenea, calentador de agua o secador de ropa). Puede generarse un **INCENDIO** o una **EXPLOSIÓN**. Deje enfriar la unidad completamente antes de guardarla.
- Limpie cualquier derrame de combustible o aceite inmediatamente. Asegúrese de que no haya materiales combustible dejados sobre o cerca del generador. Mantenga el área alrededor del generador limpia y libre de residuos y conserve una claridad de cinco (5) pies a todos los lados para permitir una ventilación apropiada para el generador.

- No inserte objetos a través de las ranuras de enfriamiento de la unidad.
- **No** opere el generador si los dispositivos eléctricos conectados se sobrecalientan, si la salida eléctrica se pierde, si el motor o el generador bota chispas o se observa humo mientras la unidad está funcionando.
- Tenga un extintor cerca al generador en todo momento.

MODELO N°:	
N° DE SERIE:	

Identificación del generador



Ubicación del Id
de la unidad

ÍNDICE DE ESTÁNDARES

En ausencia de los estándares, códigos, regulaciones o leyes pertinentes, la información publicada listada abajo puede usarse como guía para la operación de este equipo. Siempre consulte la revisión más reciente aplicable para el estándar listado.

1. NFPA No. 70, NFPA HANDBOOK OF NATIONAL ELECTRIC CODE.
2. Article X, NATIONAL BUILDING CODE, disponible en la American Insurance Association, 85 John Street, New York, N.Y. 10038.
3. AGRICULTURAL WIRING HANDBOOK, disponible en la Food and Energy Council, 909 University Avenue, Columbia, MO 65201.
4. ASAE EP-3634, INSTALLATION AND MAINTENANCE OF FARM STANDBY ELECTRICAL SYSTEMS, disponible en la American Society of Agricultural Engineers, 2950 Niles Road, St. Joseph, MI 49085.

Información general

1.1 DESEMPAQUE

- Retire todo el material de empaque.
- Retire la caja separada de accesorios.
- Retire la caja del generador.

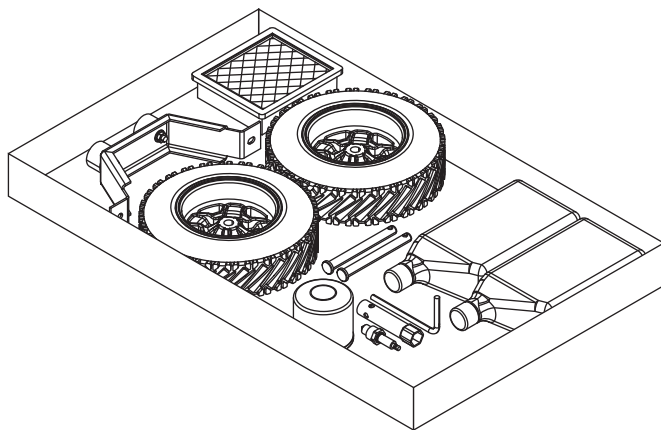
1.1.1 CAJA DE ACCESORIOS

Revise todo el contenido (Figura 1). Si alguna parte no se encuentra o está dañada, ubique a un concesionario autorizado en el tel. 1-888-436-3722.

El contenido incluye:

- 2 – Pasadores de eje
- 2 – Espaciadores de ruedas
- 2 – Pasadores de cabello
- 2 – Ruedas
- 1 – Pata de marco
- 2 – Pernos del marco
- 2 – Montajes de vibración
- 4 – Tuercas de reborde
- 2 botellas de 1 cuarto de galón de aceite SAE 30
- Filtro del Aceite
- Filtro de aire
- Bujía
- Llave de bujías
- Toalla de taller
- 2 – Arandelas del marco
- Chimenea de aceite
- Conector cargador adaptador de 12 voltios

Figura 1 – Cajas de accesorios



1.2 UNIDAD

Lea el manual completo antes de intentar ensamblar u operar el generador. El generador requiere algún ensamble antes de usarse. Si se presentan problemas al ensamblar el generador, por favor llame a la Generator Helpline al 1-888-436-3722.

1.2.1 ARMADO DE LA RUEDA Y LA PATA DEL MARCO

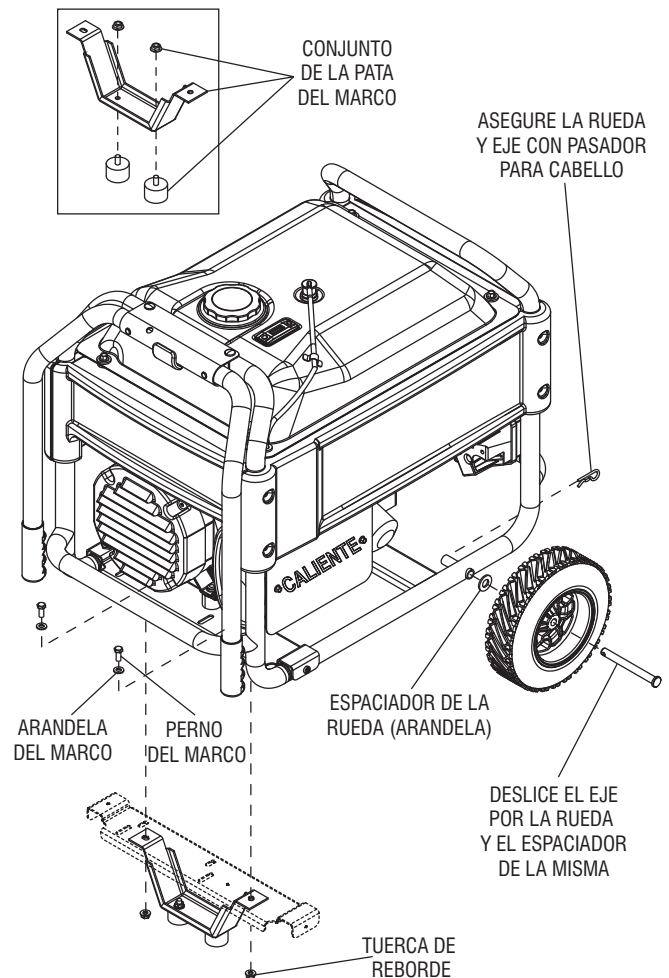
Las ruedas están diseñadas para mejorar la portabilidad del generador. Usted necesitará las siguientes herramientas para instalar la rueda: Pinzas, llave de 1/2" (13mm) y llave de boca con dado de 1/2" (13mm).

NOTA:

El kit de ruedas no está diseñado para su uso en las pistas.

- Consulte la Figura 2 e instale las ruedas y la pata del marco como sigue:
- Deslice el pasador de eje a través de la rueda, el espaciador de la rueda (arandela) y el marco.
- Instale el pasador de cabello al pasador de eje para asegurar la rueda. Repita para el lado opuesto.
- Asegure los montajes de vibración a la pata del marco con las tuercas de cierre incluidas.
- Para instalar la pata del marco, instale los pernos del marco a través de las arandelas, el marco y la pata. Asegúre con las tuercas de reborde.

Figura 2 – Rueda y pata



2.1 CONOZCA EL GENERADOR

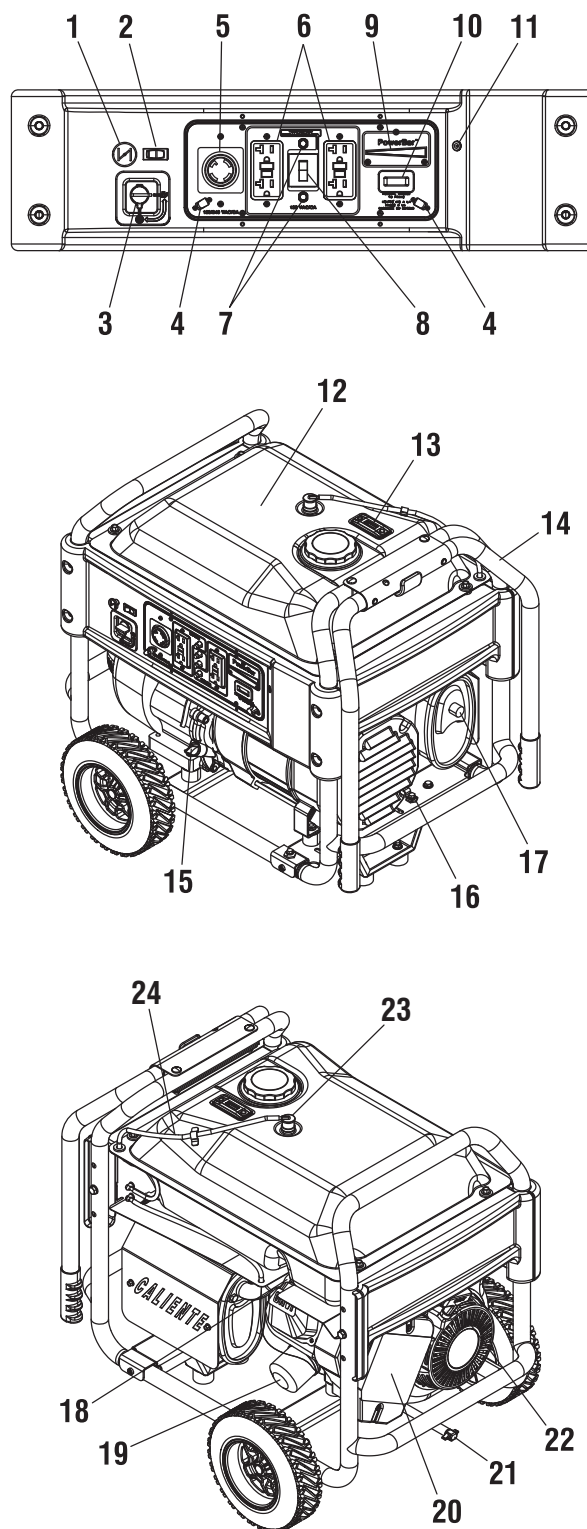
Lea completamente el manual del propietario y las reglas de seguridad antes de operar este generador.

Compare el generador con las figuras de la 3 a la 6 para familiarizarse con las ubicaciones de los diversos controles y ajustes. Guarde este manual para referencias futuras.

1. **Palanca de choke** – Se le usa al arrancar un motor frío (jalar/empujar).
2. **Interruptor del motor** – Controla la operación del generador. En los modelos de arranque eléctrico el interruptor es Start/Run/Stop (arranque/funcionamiento/detener). En los modelos de arranque manual de recule, el interruptor es On/Off (encendido/apagado).
3. **Cierre de combustible** – Válvula entre el tanque de combustible y el carburador. Apague y vacíe el carburador de combustible para un almacenamiento a largo plazo.
4. **LEDs del Panel** – Proporciona iluminación al panel de control mientras el generador está en operación.
5. **Receptáculo con cierre de 120/240 Volt AC, 30 Amp** – Proporciona energía eléctrica para la operación de cargas de iluminación eléctrica, aparatos, herramientas o motores de 120 y/o 240 Volt AC, 30 Amp, monofásicos de 60 Hz.
6. **Receptáculo dúplex GFCI de 120 Volt AC, 20 Amp** – Proporciona energía eléctrica para la operación de cargas de iluminación eléctrica, aparatos, herramientas o motores de 120 Volt AC, 20 Amp, monofásicos de 60 Hz. También proporciona protección con un Interruptor Integral de Circuito de Falla de Tierra, completo con una presión a los botones "Test" y "Reset".
7. **Interruptores de circuito (AC)** – Cada receptáculo está provisto con un interruptor de circuito de presionar para reiniciar con el fin de proteger al generador contra sobrecargas eléctricas.
8. **Interruptores de circuito (AC)** – El receptáculo de 30 Amp está protegido con par de interruptores de circuito de presionar para reiniciar con el fin de proteger al generador contra sobrecargas eléctricas.
9. **Barra de energía** – Indica la cantidad de energía que se está usando del generador, cada sección es aproximadamente 25%.
10. **Medidor de horas** – Proporciona las horas de operación para los intervalos de servicio.
11. **Entrada del cargador de batería (modelos de arranque eléctrico)** - Este receptáculo permite la capacidad de recargar la batería de 12 VCC de arranque del motor con el cargador de conector adaptador de 12 Voltios. La batería está protegida por un fusible en línea de 1,5 amperios que está dentro del panel de control.
12. **Tanque de combustible** – El tanque contiene hasta 9 galones americanos de combustible.
13. **Medidor de combustible** – Muestra el nivel de combustible en el tanque.
14. **Manubrios** – Pivotea y se retracta para almacenarse. Presione los botones con resorte para mover los manubrios.
15. **Llenado de aceite** – Se revisa el nivel de aceite y se le agrega por aquí.
16. **Lengüeta de tierra** – Conecte el generador a una conexión a tierra aprobada desde aquí. Vea "Conectando el generador a tierra" para mayores detalles.
17. **Silenciador** – Incluye el supresor de chispa y silencia el motor.
18. **Ubicación de la bujía** – La bujía enciende la mezcla de aire/combustible (el panel lateral debe retirarse).
19. **Filtro de aceite del motor** – Filtros de aceite del motor; ver en la Sección 3.1 los intervalos apropiados de servicio.
20. **Filtro de aire** – Filtra el aire de ingreso al motor.
21. **Drenaje del aceite** – Válvula de drenaje para remover el aceite usado del cárter del motor.

22. **Arranque de culata** – Use para arrancar el motor manualmente.
23. **Válvula de giro** – Pasa los vapores del combustible al motor.
24. **Manguera de recuperación** - Instale entre la válvula de giro y el motor.

Figura 3 – Ubicaciones del generador



Funcionamiento

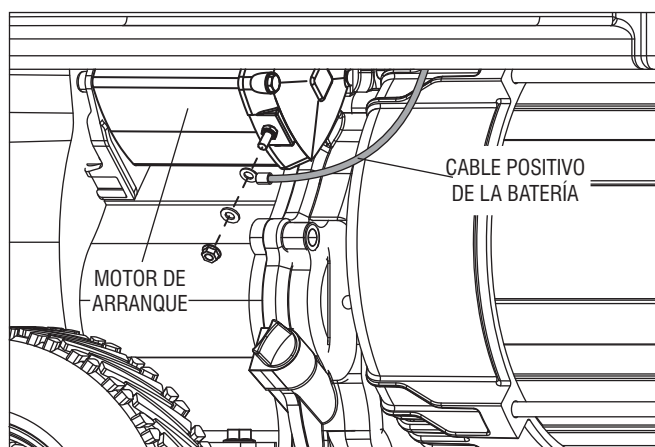
2.1.1 CONEXIÓN DE BATERÍA (XG7000E Y XG8000E)

NOTA:

La batería incluida en el generador ha sido cargada completamente. Una batería puede perder algo de su carga cuando no se le usa por tiempo prolongado. Si la batería es incapaz de arrancar el motor, conecte el cargador de 12 voltios incluido en la caja de accesorios (ver la sección Cómo cargar la batería). **EL HACER FUNCIONAR EL GENERADOR NO CARGA LA BATERÍA.**

El cable positivo de la batería fue dejado deliberadamente desconectado para el embarque. Para operar la unidad, una este cable al terminal en el motor arrancador como se muestra. No lo ajuste demasiado. Deslice la bota de goma adjunta sobre el terminal del arrancador. Vea la Figura 4.

Figura 4 – Conexión de la batería



2.2 HORÓMETRO - NO REINICIAR

El medidor de horas mide el tiempo de operación para seguir los mantenimientos programados:

Habrà un corte de una sola vez en el mensaje "CHG OIL" que destella con el tiempo pasado en horas y décimos luego de las primeras 30 horas de operación.

Este mensaje realmente empezará a destellar a las 29 horas y se dehabilitará a las 31 horas proporcionando una ventana de dos horas para realizar el servicio.

Luego habrá un mensaje de "CHG OIL" cada 100 horas. El mensaje destellará una hora antes y una hora después de cada intervalo de 100 horas, nuevamente proporcionando una ventana de dos horas para realizar el servicio.

Cada 200 horas el icono "SVC" en la esquina inferior izquierda de la pantalla destellará. El mensaje destellará una hora antes y una hora después de cada intervalo de 200 horas, proporcionando una ventana de dos horas para realizar el servicio.

Cuando el medidor de horas está en el modo de alerta de destello (Flash Alert), el mensaje de mantenimiento siempre alternará con el tiempo transcurrido en horas y décimos. Las horas destellarán cuatro veces, luego alternará con los mensajes de mantenimiento cuatro veces hasta que el medidor se reinicia.

- 100 horas - CHG OIL — Intervalo de cambio de aceite (cada 100 hrs)
- 200 horas - SVC — Intervalo de filtro de aire (Cada 200 hrs)

2.3 HORÓMETRO - CON REAJUSTE

El horómetro le sigue la pista a las horas de operación para mantenimiento programado (ver cuadro) (Figura 9).

Operación: Presione y libere el botón de reajuste para alternar entre pantallas. Las horas se cuentan hacia atrás desde el intervalo de ajuste como se muestra en el cuadro.

Cuando el medidor alcanza 5 horas, el texto "CHG OIL" (o "SVC AIR FILTER" o "CHG PLUG") centelleará continuamente durante dos minutos. Después de este tiempo, el medidor regresará para mostrar las horas totales de la unidad (durante 2 minutos). Es ciclo se repetirá durante todas las 5 horas.

Cuando el intervalo de servicio alcance cero horas, el texto "NOW" reemplaza las horas restantes.

Para un generador nuevo por ejemplo, el mensaje dirá "CHG OIL" luego centelleará "in 30". Esto significa que en 30 horas, el aceite necesitará ser cambiado. Presionando el botón unas pocas veces más traerá al medidor de nuevo a la pantalla que muestra las horas totales de funcionamiento.

Reajustar: Cambie a la alerta que usted desea reajustar y luego presione hacia abajo el botón durante 9 segundos. Las horas de mantenimiento se reajustan cuando la pantalla muestra "0000.0".

NOTA:

La gráfica de reloj de arena centelleará intermitentemente cuando el motor esté funcionando. Esto significa que el medidor le está siguiendo la pista a las horas de operación.

Cuadro del Horómetro (con reajuste)

Mensaje	Frecuencia del mensaje	Intervalo	Duración del mensaje
CHG OIL (cambiar aceite)	Período de entrada forzada inicial	Primeras 30 horas	ON/OFF (encendido/apagado) durante 2 minutos en un período de 5 horas
CHG OIL (cambiar aceite)	Reocurrencia	100 horas	
SVC AIR FILTER (filtro de aire svc)	Reocurrencia	200 horas	
CHG PLUG (cambiar bujía)	Reocurrencia	200 horas	

Figura 9 – Horómetro

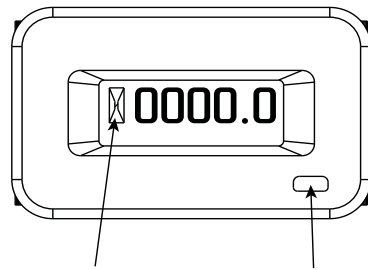


GRÁFICO DE RELOJ DE ARENA **BOTÓN DE REAJUSTE (SI ESTÁ INSTALADO)**

2.4 JUEGO DE CUERDAS Y CONECTORES

2.4.1 RECEPTÁCULO DUPLEX GFCI DE 120 VAC, 20 AMP

Esta es una toma de 120 voltios protegida contra sobrecarga por un interruptor de circuito de presionar para reiniciar de 20 amperios (Figura 6). Use cada una de las tomas para alimentar cargas eléctricas de 120 volts, monofásicas de 60 Ha que requieran hasta una potencia combinada de 2,400 vatios (2.4 Kw) o 20 amperios de corriente. Use sólo juegos de cables de alta calidad, bien aislados, de tres conductores con conexión a tierra para 125 voltios a 20 amperios (o más).

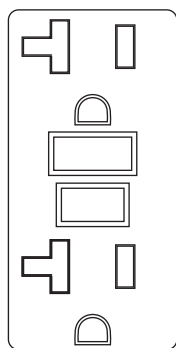
Mantenga los cables de extensión lo más cortos posible, preferiblemente menos de 15 pies (5 metros) de largo, para evitar caídas de voltaje y posible sobrecalentamiento de los cables.

2.4.2 RECEPTÁCULO DE 120/240 VAC, 30 AMP

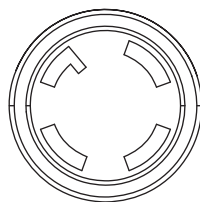
Use un conector NEMA L14-30 con este receptáculo (girar para cerrar/abrir). Conecte un juego de cables de 4 conductores con conexión a tierra al conector y a la carga deseada. El cable deberá ser de 250 VAC y 30 Amperios nominal (o más) (Figura 6).

Use este receptáculo para operar cargas monofásicas de 120 Voltios AC a 60 Hz que requieran hasta 3600 vatios (3.6 Kw) de potencia a 30 amperios o 240 VAC, 60 hz, monofásicas que requieran de 6,500 a 8,000 vatios, dependiendo del modelo. La toma está protegida por un interruptor de circuito de 30 Amp.

Figura 6 – Receptáculos del generador



120 VAC 20A RECEPTÁCULO GFCI



120/240 VAC 30A RECEPTÁCULO

2.5 CÓMO USAR ESTE GENERADOR

Vea la sección "Para arrancar el motor" para cómo iniciar y detener con seguridad el generador y cómo conectar y desconectar cargas. Si surgen problemas con la operación del generador, llame a la línea de ayuda del generador 1-888-436-3722.

⚠ PELIGRO

- ⚠ ¡Nunca opere en áreas cerradas o interiores! ¡NUNCA opere en un área cerrada, en un vehículo, o en el interior AUNQUE las puertas y ventanas están abiertas! Úselo SÓLO en exteriores y lejos de ventanas abiertas, puertas, ductos de ventilación y en áreas que no acumularán el mortal escape.**
- ⚠ Los humos del escape del motor contienen monóxido de carbono, que no se puede oler ni ver. Este gas venenoso, si se aspira en concentraciones suficientes, puede hacerle perder la conciencia y causarle la muerte.**
- ⚠ El flujo adecuado y sin obstrucciones de aire para ventilación y refrigeración es crítico para la correcta operación del generador. No altere la instalación ni permita que haya siquiera un bloqueo parcial de la provisión de ventilación, ya que esto puede afectar seriamente la operación segura del generador. El generador DEBE ser operado en exteriores.**
- ⚠ Este sistema de escape debe tener un apropiado mantenimiento. No haga nada que pueda poner en peligro la seguridad del escape o que no cumpla con algún código local o estándar.**
- ⚠ Siempre use una alarma de monóxido de carbono operada con baterías en los interiores, instalada de acuerdo a las instrucciones del fabricante.**

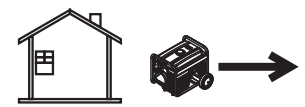
⚠ PELIGRO

El uso del generador en ambientes cerrados PUEDE MATARLO EN MINUTOS.

El los gases de escape del generador contienen monóxido de carbono. Este es un venenos que no se puede ver ni oler.



NUNCA lo utilice dentro de una casa o garaje, INCLUSO SI las puertas y las ventanas están abiertas.



Utilícelo SOLAMENTE al aire libre y lejos de ventanas, puertas, respiraderos.

Funcionamiento

2.5.1 CÓMO PONER A TIERRA EL GENERADOR CUANDO SE USA COMO PORTÁTIL

Este generador tiene una tierra de equipo que conecta los componentes del marco del generador a las terminales de tierra en los receptáculos de salida de CA (ver NEC 250.34 (A) para una explicación). Esto permite que el generador sea usado como un portátil sin poner a tierra el marco del generador como se especifica en NEC 250.34.

Requerimientos especiales

Puede haber regulaciones federales o estatales respecto a la salud y seguridad ocupacional (OSHA), códigos locales, u ordenanzas que se apliquen al uso que se quiera dar al generador.

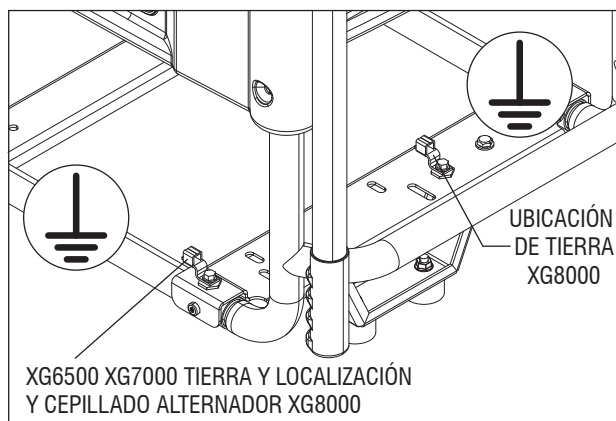
Por favor consulte con un electricista calificado, inspector eléctrico o la agencia local que tenga jurisdicción:

- En algunas áreas, los generadores deben ser registrados con las compañías locales de electricidad.
- Si el generador se usa en un sitio de construcción, puede haber regulaciones adicionales que se deben observar.

2.5.2 CÓMO CONECTAR EL GENERADOR A UN SISTEMA ELÉCTRICO DE EDIFICIO

Al conectarse directamente al sistema eléctrico de un edificio, se recomienda usar un interruptor de transferencia manual. Las conexiones para un generador portátil al sistema eléctrico de un edificio deben ser efectuadas por un electricista cualificado y cumpliendo estrictamente todos los códigos y leyes nacionales y locales sobre electricidad.

Figura 7 – Ubicaciones de la tierra del generador



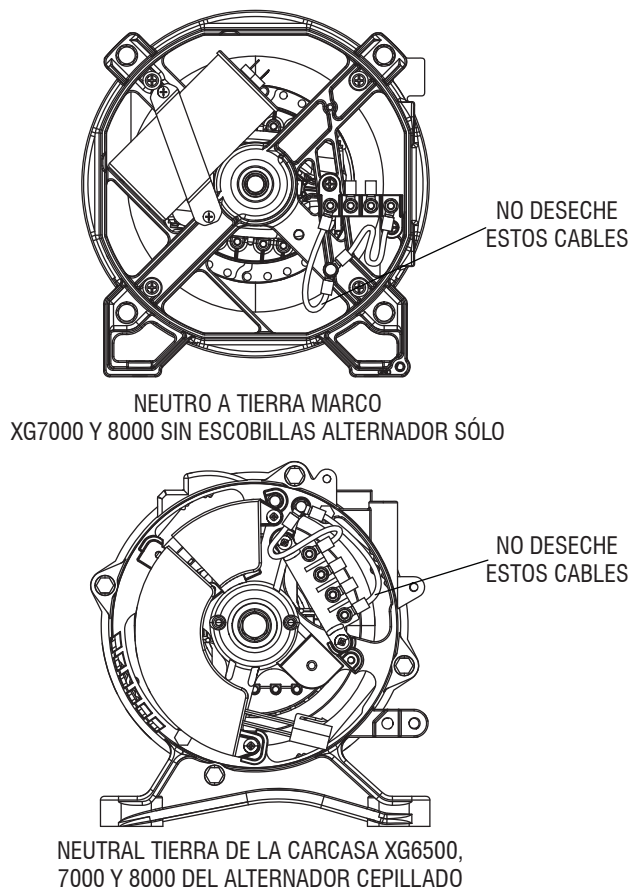
2.5.3 CONEXIÓN A TIERRA DEL NEUTRO AL MARCO

Si se realiza trabajo de servicio en el alternador, **NO** descarte los cables de puente del bloque terminal a la tierra del alternador, ubicados en el carro posterior. Siempre asegúrese de que los cables estén conectados en forma apropiada antes de usar el generador luego de finalizar el trabajo de servicio (Figura 8).

⚠ PELIGRO

⚠ ¡El no reconectar estos cables puede crear un peligro potencial de choque eléctrico cuando el generador funcione!

Figura 8 – Conexión a tierra de neutro a marco



2.5.4 CONEXIÓN DE LAS CARGAS ELÉCTRICAS

NO conecte cargas de 240 Volt a receptáculos de 120 Volt.

NO conecte cargas trifásicas al generador.

NO conecte cargas de 50 Hz al generador.

- Deje que el motor se estabilice y caliente por unos minutos antes de arrancar.
- Conecte y encienda las cargas eléctricas monofásicas de 120 o 240 voltios y 60 Hz deseadas.
- Sume la potencia nominal (o amperaje) de todas las cargas que serán conectadas a la vez. Este total no deberá ser mayor que (a) la capacidad de potencia y corriente del generador o (b) la capacidad nominal del interruptor del circuito que suministra la energía. Vea "No sobrecargue el generador."

2.6 NO SOBRECARGUE EL GENERADOR

Sobrecargar un generador en exceso de su capacidad de potencia nominal puede traer como resultado daños al generador y a los dispositivos eléctricos conectados. Observe lo siguiente para evitar sobrecargar la unidad:

- Sume el total de potencia de todos los dispositivos eléctricos a conectarse a la vez. Este total NO deberá ser mayor que la capacidad de potencia del generador.
 - La potencia nominal de las luces puede leerse en las mismas bombillas. La potencia nominal de las herramientas, aparatos y motores normalmente se puede encontrar en la etiqueta de datos o calcomanía fijada en el dispositivo.
 - Si el aparato, herramienta o motor no muestran la potencia, multiplique voltios por amperios nominales para determinar los vatios (volts x amps = vatios).
 - Algunos motores eléctricos, como los del tipo inducción, requieren alrededor de tres veces más potencia para arrancar que para funcionar. Este transitorio de potencia dura sólo unos pocos segundos al arrancar tales motores. Asegúrese de tener en cuenta esta alta potencia de arranque al seleccionar dispositivos eléctricos que se conectarán al generador.
1. Sepa la potencia necesaria para arrancar el motor más grande.
 2. Sume a esa cifra la potencia de funcionamiento de todas las otras cargas conectadas.

La guía de referencia de potencias se proporciona para ayudarle a determinar cuántos ítems puede operar el generador al mismo tiempo.

IMPORTANTE: No sobrecargue el generador. Asimismo, no sobrecargue los receptáculos individuales. Estas tomas están protegidas contra sobrecargas con interruptores de circuito tipo presionar para reiniciar. Lea "No sobrecargue el generador" con mucho cuidado.

NOTA:

Todas las cifras son aproximadas. Vea la etiqueta de datos en los aparatos para saber los requerimientos de potencia.

2.7 GUÍA DE REFERENCIA DE POTENCIAS

Dispositivo	Vatios en funcionamiento
*Aire acondicionado (12,000 Btu)	1700
*Aire acondicionado (24,000 Btu)	3800
*Aire acondicionado (40,000 Btu)	6000
Cargador de baterías (20 Amp)	500
Lijadora de bandas (3")	1000
Sierra eléctrica	1200
Sierra circular (6-1/2")	de 800 a 1000
*Secadora de ropa (Eléctrica)	5750
*Secadora de ropa (a gas)	700
*Lavadora de ropa	1150
Cafetera	1750
*Compresor (1 HP)	2000
*Compresor (3/4 HP)	1800
*Compresor (1/2 HP)	1400
Rizador de pelo	700
*Deshumecedor	650
Lijadora de disco (9")	1200
Cortadora	500
Frazada eléctrica	400
Pistola eléctrica de clavos	1200
Rango eléctrico (por elemento)	1500

Sartén eléctrica	1250
*Congeladora	700
*Ventilador de chimenea(3/5 HP)	875
*Garaje de apertura automática	de 500 a 750
Secador de pelo	1200
Taladro de mano	de 250 a 1100
Cortador de setos	450
Herramienta de impacto	500
Hierro	1200
* Eyector	800
Cortadora de césped	1200
Bombilla de luz	100
Horno de microondas	de 700 a 1000
*Enfriador de leche	1100
Quemador de aceite sobre chimenea	300
Calentador de chispa de aceite (140,000 Btu)	400
Calentador de chispa de aceite (85,000 Btu)	225
Calentador de chispa de aceite (30,000 Btu)	150
*Pulverizador de pintura, sin aire (1/3 HP)	600
Pulverizador de pintura, sin aire (de mano)	150
Radio	de 50 a 200
*Refrigeradora	700
Cocina lenta	200
*Bomba sumergible (1-1/2 HP)	2800
*Bomba sumergible (1 HP)	2000
*Bomba sumergible (1/2 HP)	1500
*Bomba de desagüe	de 800 a 1050
*Sierra de banco (10")	de 1750 a 2000
Televisor	de 200 a 500
Tostadora	de 1000 a 1650
Podadora de césped	500
* Calcule 3 veces la potencia de la lista para arrancar estos dispositivos.	

2.8 ANTES DE ARRANCAR EL GENERADOR

Antes de operar el generador, es necesario agregar aceite de motor y gasolina, de esta manera:

2.8.1 CÓMO AGREGAR ACEITE DE MOTOR

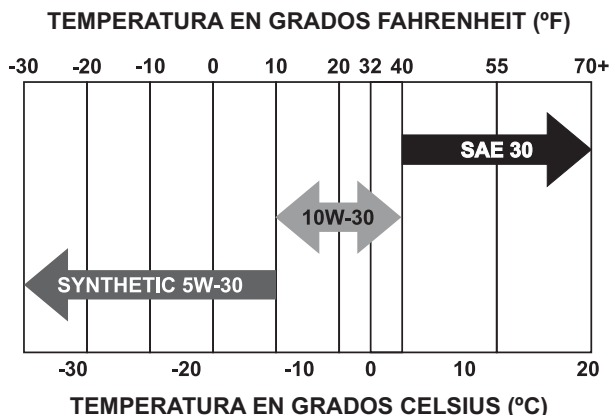
Todo aceite debe cumplir el estándar mínimo de la American Petroleum Institute (API) Service Class SJ, SL o superior. No use aditivos especiales. Seleccione el grado de viscosidad del aceite de acuerdo a la temperatura esperada de operación (ver el gráfico también).

- Por encima de 40° F, use SAE 30
- Por debajo de 40° F y hasta 10° F, use 10W-30
- Por debajo de 10° F, use 5W-30 sintético

⚠ ADVERTENCIA

⚠ Cualquier intento de arrancar el motor antes de que se le haya dado servicio apropiado con el aceite recomendado puede traer como resultado una falla del motor.

Funcionamiento



- Coloque el generador en una superficie lisa (no exceda los 15° en ninguna dirección).
- Limpie el área alrededor de la toma de aceite y retire la tapa.
- Llène lentamente el motor con aceite a través de la abertura hasta que llegue a su marca de lleno. Deje de llenar ocasionalmente para revisar el nivel de aceite. (El aceite de motor está lleno cuando el nivel se encuentra hasta los hilos de la tapa de la toma de aceite, ver Figura 9).
- Instale la tapa del aceite y ajústela con seguridad.
- Después de esto, revise el nivel de aceite antes de arrancar cada vez.

Figura 9 – Nivel de aceite



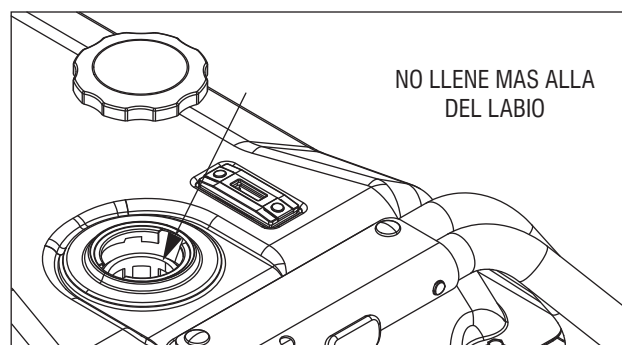
2.8.2 CÓMO AGREGAR GASOLINA

⚠ PELIGRO

- ⚠ **NO encienda cigarrillos o fume cuando llene el tanque de combustible.**
- ⚠ **Nunca llene el tanque de combustible en el interior de la casa. Nunca llene el tanque de gasolina mientras el motor está funcionando o está caliente. Evite derramar gasolina sobre un motor caliente. Deje enfriar al motor completamente antes de llenar el tanque de combustible.**
- ⚠ **No sobrecargue el tanque de combustible. Deje siempre espacio para la expansión del combustible. Si el tanque está muy lleno, el combustible puede caer sobre el motor caliente y causar un INCENDIO o EXPLOSIÓN. Limpie cualquier derrame de combustible inmediatamente.**

- Use gasolina sin plomo REGULAR para el motor del generador. No use gasolina Premium. No use aceite con gasolina.
- No use gasolina con más de 10% de alcohol como el E85 o metanol.
- Limpie el área alrededor de la tapa de llenado de combustible, sáquela.
- Lentamente añada gasolina regular sin plomo al tanque de combustible. Llène hasta el fondo del filtro de pantalla. **Tenga cuidado de no llenarlo demasiado** (Figura 10).
- Instale la tapa del combustible y limpie la gasolina que se haya derramado.

Figura 10 – Nivel de llenado de combustible



IMPORTANTE: Es importante evitar que se formen depósitos de goma en las partes del sistema de combustible como el carburador, la manguera de combustible o el tanque durante el almacenamiento. Los combustibles mezclados con alcoholes (llamados gasohol, etanol o metanol) pueden atraer la humedad, lo que llega a la separación y formación de ácidos durante el almacenamiento. Los gases ácidos pueden dañar el sistema de combustible de un motor durante el almacenamiento. Para evitar problemas con el motor, el sistema de combustible deberá vaciarse antes de almacenarse por 30 días o más. Ver la sección de "Almacenamiento". Nunca use productos limpiadores de motor o carburador en el tanque de combustible ya que puede ocasionar daño permanente.

2.9 ARRANQUE DEL MOTOR

Nunca arranque ni detenga el motor con los dispositivos eléctricos conectados a los receptáculos ni encendidos.

- Desconecte todas las cargas eléctricas de los receptáculos de la unidad antes de arrancar el motor.
- Asegúrese de que la unidad esté en una posición nivelada (no exceda los 15° en ninguna dirección).
- Abra la válvula de cierre del combustible (Figura 11).
- Tire la palanca de CHOKE del motor a la posición "Full Choke" (completo) (Figura 12).

Figura 11 - Válvula de cierre de combustible

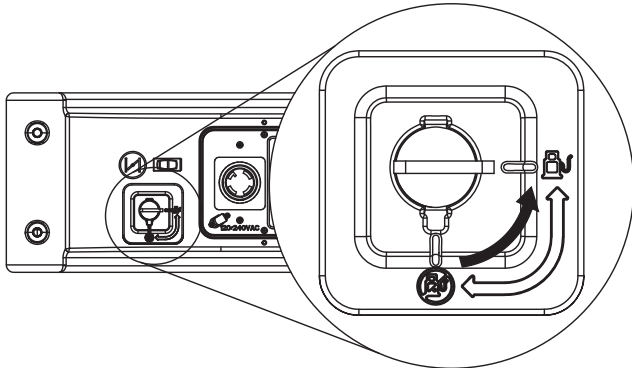
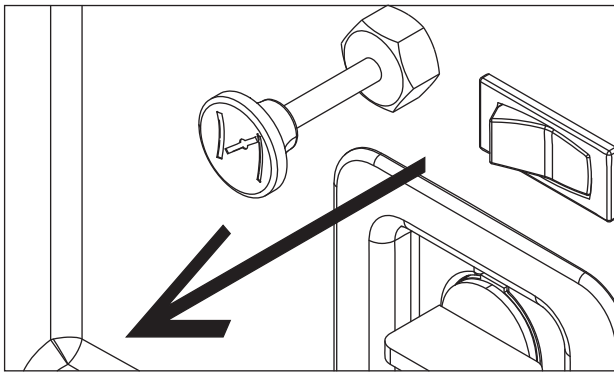


Figura 12 – Operación del choke



2.9.1 ARRANQUE MANUAL (RECULE)

- Para arrancar el generador, coloque el interruptor de encendido y apagado en la posición ON (encendido).
- Tome firmemente el manubrio del recule y tire lentamente hasta que se sienta que aumenta la resistencia. Tire rápidamente arriba para arrancar el motor.
- Cuando el motor arranque, presione la palanca de Choke a "1/2 choke" hasta que el motor funcione en forma suave y luego completamente a la posición "Run". Si el motor decae, tire la palanca de Choke nuevamente a "1/2 choke" hasta que el motor funcione en forma suave y luego a la posición "Run".

NOTA:

Si el motor dispara, pero no sigue funcionando, tire la palanca de choke a "Full Choke" y repita las instrucciones de arranque.

2.9.2 ARRANQUE ELÉCTRICO (XG7000E Y XG8000E)

- Para arrancar el motor, mantenga presionado el interruptor de Start/Run/Stop en la posición "Start". El motor intentará arrancar. Cuando el motor arranque, suelte el interruptor a la posición "run" (funcionamiento).
- Cuando el motor arranque, presione la palanca de Choke a "1/2 choke" hasta que el motor funcione en forma suave y luego completamente a la posición "Run". Si el motor decae, tire la palanca de Choke nuevamente a "1/2 choke" hasta que el motor funcione en forma suave y luego a la posición "Run".
- Este generador también está equipado con un arrancador manual de recule que se puede usar si la batería está descargada.

NOTA:

El interruptor debe estar en la posición ARRANQUE. Use uno de los receptáculos del panel del generador junto con el cargador de batería incluido para cargar la batería mientras el generador esté funcionando.

2.10 CÓMO DETENER EL MOTOR

- Apague todas las cargas, luego desconecte las cargas eléctricas de los receptáculos del panel del generador. Nunca arranque ni detenga el motor con dispositivos eléctricos conectados y encendidos.
- Deje que el motor funcione sin carga por algunos minutos para estabilizar las temperaturas internas del motor y del generador.
- Mueva el interruptor de Start/Run/Stop u On/Off a la posición "Off".
- Cierre la válvula de combustible.

2.11 SISTEMA DE APAGADO POR BAJA PRESIÓN DE ACEITE

El motor está equipado con un sensor de presión que apaga el motor en forma automática cuando la presión de aceite baja a menos de 5 psi. Un retardo incorporado al sistema de apagado por baja presión de aceite permite que la presión de aceite se acumule durante el arranque. El retardo permite que el motor funcione alrededor de 10 segundos antes de sentir la presión de aceite. Si el motor se apaga y el tanque de combustible tiene suficiente gasolina, revise el nivel de aceite de motor.

2.11.1 REINICIAR

Si está tratando de reiniciar el motor dentro de los 10 segundos después de que se apagó, el motor puede que no arranque. El sistema necesita de 5 a 10 segundos para poder reiniciarse.


Si el motor se reinicia luego de apagarse y no se ha corregido la baja presión de aceite, el motor funcionará alrededor de 10 segundos como se describe arriba y se detendrá.

2.12 CARGA DE LA BATERÍA (XG7000E Y XG8000E)

⚠ PELIGRO

- ⚠ **No permita que fumen, hagan fuego abierto, chispas o cualquier otra fuente de calor alrededor de la batería. Use guantes protectores, gafas y delantal de goma cuando trabaje alrededor de la batería. El fluido electrolítico de la batería es una solución de ácido sulfúrico extremadamente corrosiva que puede causar severas quemaduras. Si ocurre un derrame lave el área con agua limpia inmediatamente.**

Mantenimiento

 Las baterías almacenadas sueltan un explosivo gas de hidrógeno al recargarse. Una mezcla explosiva permanecerá alrededor de la batería por largo tiempo luego de que se haya cargado. La más ligera chispa puede encender el hidrógeno y causar una explosión. Una explosión así puede destruir la batería y causar quemera y otros daños serios.

Use el conector del cargador de batería para mantener la batería cargada y lista para usarse. La carga de la batería deberá hacerse en una ubicación seca.

1. Conecte el cargador en el conector de "Entrada de cargador de batería", ubicado en el panel de control. Conecte el extremo del receptáculo de pared del cargador de la batería en una toma de 120 VCA.
2. Desconecte el cargador de batería de la toma de la pared y del conector del panel de control cuando el generador vaya a usarse.

NOTA:

Non use el cargador de baterías por más de 48 horas en una carga.

3.1 PROGRAMA DE MANTENIMIENTO

Siga los intervalos del calendario. Se requiere un servicio más frecuente cuando se opera en condiciones adversas como las que se indican abajo.

Revise el nivel de aceite	en cada uso
Cambio de aceite y filtro de aceite ‡	*Cada temporada o cada 100 horas
Limpiar pantalla del supresor de chispas	**Cada temporada o cada 100 horas
Servicio del filtro de aire	**Cada temporada o cada 200 horas
Reemplazo de bujías	Cada cambio de estación

‡ Cambie el aceite luego de las primeras 30 horas de operación y luego en cada cambio de estación.

* Cambie el aceite y el filtro de aceite cada mes si opera bajo condiciones pesadas de carga o altas temperaturas.

** Limpie con más frecuencia bajo condiciones de operación que involucren polvo y suciedad. Reemplace las piezas del filtro de aire si están muy sucias.

3.2 ESPECIFICACIONES DEL PRODUCTO

3.2.1 ESPECIFICACIONES DEL GENERADOR

Modelo #	005800, 005747
Potencia máx nominal	8.0 kW**
Potencia de transitorio	10 kW
Voltaje AC nominal	120/240
Carga máxima AC nominal	
Corriente @ 240V	33.3 Amps**
Corriente @ 120V	66.7 Amps**
Frecuencia nominal	60 Hz @ 3600 RPM
Fase	Monofásico
Voltaje DC nominal	12 Volts
Tipo de batería	10 AH, 12VDC

Modelo #	005797, 005798
Potencia máx nominal	7.0 kW**
Potencia de transitorio	8.75 kW
Voltaje AC nominal	120/240
Carga máxima AC nominal	
Corriente @ 240V	29.2 Amps**
Corriente @ 120V	58.3 Amps**
Frecuencia nominal	60 Hz @ 3600 RPM

Fase	Monofásico
Voltaje DC nominal	12 Volts
Tipo de batería	10 AH, 12VDC

Modelo #	005796
Potencia máx nominal	6,5 kW**
Potencia de transitorio	8,13 kW
Voltaje AC nominal	120/240
Carga máxima AC nominal	
Corriente @ 240V	27.1 Amps**
Corriente @ 120V	54,2 Amps**
Frecuencia nominal	60 Hz @ 3600 RPM
Fase	Monofásico
Voltaje DC nominal	12 Volts

** Las potencias y corrientes máximas están sujetas a, y limitadas por, factores tales como contenido en BTU del combustible, altitud, condiciones del motor, etc. La potencia máxima disminuye alrededor del 3,5% por cada 1000 pies sobre el nivel del mar y también disminuirá alrededor del 1% por cada 6°C (10°F) por encima de los 16°C (60°F) de temperatura ambiente.

3.2.2 ESPECIFICACIONES DEL MOTOR

Potencia nominal en caballos @ 3600 RPM	14.5
Desplazamiento	410cc
Tipo de bujías	Champion RC14YC o equivalente
Bujía N° de parte	OE7585
Espaciamiento de la bujía	0,030 pulgadas o 0,76 mm
Capacidad de gasolina	9 galones americanos
Tipo de aceite	Ver la cartilla en la sección "Cómo agregar aceite de motor"
Capacidad de aceite	c/ cambio de filtro = 1,5 cuartos sin cambio de filtro = 1,2 cuartos
Aceite de número de filtros	070185B
Tiempo de funcionamiento/Consumo de combustible- 1/2 carga	10 Horas / 0,73 galones por hora
Certificado para emisión de Clase II	

3.2.3 INFORMACIÓN DE EMISIONES

La Agencia de Protección Ambiental (EPA) requiere que este generador cumpla con los estándares de emisión y evaporaciones de escape. Este generador está certificado para cumplir los niveles de emisiones de EPA aplicables. El sistema de control de emisiones de este generador consiste en lo siguiente:

- Sistema de combustible
 - ~ Carburador
 - ~ Tapa y tanque de combustible
 - ~ Líneas de combustible
 - ~ Líneas de ventilación de evaporaciones
- Sistema de inducción de aire
 - ~ Tubería/distribuidor de entrada
 - ~ Filtro de aire
- Sistema de ignición
 - ~ Bujía
- Sistema de escape
 - ~ Módulo de ignición
 - Sistema de escape
 - ~ Distribuidor de escape

Es importante realizar el servicio especificado en el Programa de mantenimiento para asegurar que su generador cumple con los estándares de emisión aplicables durante toda la vida útil del motor. Adicionalmente, se debe realizar el mantenimiento de emisiones críticas de conformidad con lo programado a fin de que sea válida la garantía de emisiones. El mantenimiento de emisiones críticas consiste de: servicio al filtro de aire y a las bujías de conformidad con el Programa de Mantenimiento. El servicio y las reparaciones pueden ser llevadas a cabo por cualquier taller o persona capacitada.

3.3 RECOMENDACIONES GENERALES

La garantía del generador no cubre ítems que hayan sido objeto de abuso o negligencia del operador. Para recibir el valor total de la garantía, el operador debe hacer el mantenimiento del generador tal como se instruye en este manual.

Se necesitará hacer algunos ajustes periódicamente para mantener apropiadamente este generador.

Todos los ajustes en la sección de Mantenimiento de este manual deberán hacerse al menos una vez en cada cambio de estación. Siga los requerimientos del "Programa de mantenimiento".

NOTA:

Una vez al año, reemplace las bujías y el filtro de aire. Bujías nuevas y filtro de aire limpio aseguran una apropiada mezcla de aire-combustible y ayudan a que el motor funcione mejor y dure más.

3.3.1 MANTENIMIENTO DEL GENERADOR

El mantenimiento del generador consiste en mantener a la unidad limpia y seca. Opere y almacene la unidad en un ambiente limpio y seco donde no esté expuesta a excesivo polvo, suciedad, humedad ni vapores corrosivos. Las ranuras de aire de enfriamiento en el generador no deberán obstruirse con nieve, hojas ni ningún material extraño.

Revise la limpieza del generador frecuentemente y límpielo cuando el polvo, suciedad, humedad y otras sustancias extrañas sean visibles en su superficie exterior.

⚠ PRECAUCIÓN

! Nunca inserte ningún objeto ni herramienta a través de las ranuras de aire de refrigeración, aún si el motor no está funcionando.

NOTA:

NO use una manguera de jardín para limpiar el generador. El agua puede ingresar al sistema de combustible del motor y causar problemas. Adicionalmente, si el agua ingresa al generador a través de las ranuras de aire, algo del agua será retenida en vacíos o grietas del aislamiento del bobinado del rotor y estator. La acumulación del agua y el polvo en los bobinados internos del generador eventualmente disminuirán la resistencia de aislamiento de esos bobinados.

3.3.2 PARA LIMPIAR EL GENERADOR

- Use un trapo húmedo para limpiar las superficies exteriores.
- Una escobilla suave de cerdas puede usarse para soltar suciedades pegadas, aceite, etc.
- Se puede usar una aspiradora para levantar la suciedad suelta y restos.
- Se puede usar una baja presión de aire (que no exceda las 25 psi) para soplar la suciedad. Inspeccione las ranuras de aire de ventilación y las aberturas del generador. Estas aperturas deben mantenerse limpias y sin obstrucciones.

3.3.3 MANTENIMIENTO DEL MOTOR

⚠ PRECAUCIÓN

! Cuando se trabaja en el generador, siempre se debe desconectar el cable negativo de la batería. También desconecte el cable de la bujía y manténgalo lejos de esta.

3.3.4 REVISAR EL NIVEL DE ACEITE

Vea la sección "ANTES DE ARRANCAR EL GENERADOR" para mayor información sobre la revisión del nivel de aceite. El nivel de aceite debe revisarse antes de cada uso o al menos cada ocho horas de operación. Siempre mantenga el nivel de aceite.

3.3.5 CAMBIO DE ACEITE Y FILTRO DE ACEITE

Cambie el aceite y el filtro luego de las primeras 30 horas de operación. Cambie el aceite cada 100 horas o cada cambio de estación luego de ello. Si está haciendo funcionar la unidad en condiciones de polvo o suciedad, o en clima extremadamente cálido, cambie el aceite con más frecuencia.

⚠ PELIGRO

! El aceite caliente puede causar quemaduras. Permita que el motor enfíe antes de drenar el aceite. Evite una exposición prolongada o repetida de la piel con el aceite usado. Lave completamente las áreas expuestas con jabón.

Siga las instrucciones que se dan a continuación para cambiar el aceite:

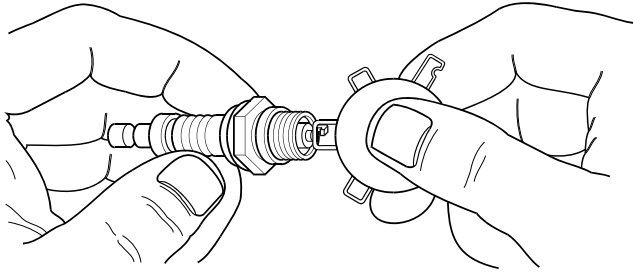
- Limpie el área alrededor de la tapa de drenaje del aceite.
- Retire la tapa de drenaje de aceite de la manguera de drenaje y la tapa de llenado de aceite para que drene completamente en un contenedor adecuado.
- Cuando el aceite haya drenado completamente, instale la tapa de drenaje de aceite y ciérrela con firmeza.
- Coloque un contenedor adecuado debajo del filtro de aceite y gire el filtro en sentido antihorario para retirarlo. Descártelo de acuerdo a las regulaciones locales.
- Cubra la junta del nuevo filtro con aceite limpio de motor. Gire el filtro en sentido horario hasta que la junta tome contacto ligeramente con el adaptador del filtro. Luego ajuste 3/4 de vuelta adicionales.
- Llène el cárter con el aceite recomendado y vuelva a colocar la tapa del aceite. (Vea "Antes de arrancar el generador" para mayores recomendaciones sobre el aceite).
- Limpie el aceite que se haya derramado.
- Disponga del aceite usado en un centro de recolección apropiado.

3.3.6 REEMPLAZO DE LA BUJÍA

Use bujías Champion RC14YC o equivalentes. **Reemplace la bujía una vez al año.** Esto ayudará a que el motor arranque con mayor facilidad y funcione mejor.

1. Detenga el motor y tire del cable de bujías colocándolo lejos de las mismas.
2. Para tener acceso, retire los cuatro tornillos Allen y retire el panel lateral.
3. Limpie el área alrededor de la bujía y retírela de la cabeza del cilindro.
4. Coloque el espaciado de la bujía en 0,76 mm (0,030 pulg). Instale la bujía con el espaciado correcto en la cabeza del cilindro (Figura 13).
5. Presione la cubierta de la bujía firmemente e instale el panel lateral.

Figura 13 - Espaciamento de la bujía



3.4 SERVICIO DEL FILTRO DE AIRE

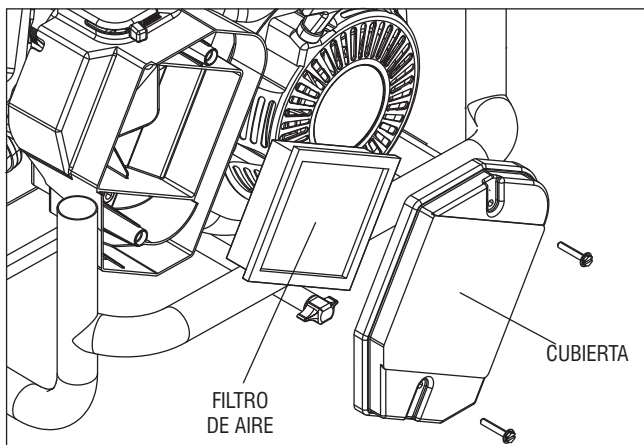
El motor no funcionará apropiadamente y puede dañarse si se usa un filtro de aire sucio. Limpie o reemplace el filtro de papel del filtro cada 200 horas o una vez al año (Figura 14). Límpielo o reemplácelo con mayor frecuencia si se opera en condiciones de suciedad. Limpieza o reemplazo del filtro de aire de papel:

- Retire la cubierta del filtro de aire y quite el filtro de papel (Figura 14).
- Limpie el filtro de papel golpeándolo ligeramente sobre una superficie sólida. Si el filtro está demasiado sucio, reemplácelo con uno nuevo. Disponga del filtro viejo en forma apropiada.
- Retire la cubierta del filtro de aire. Luego inserte el nuevo filtro de papel en la base del filtro de aire. Reinstale la cubierta del filtro de aire.

NOTA:

Para ordenar un filtro de aire nuevo, por favor póngase en contacto con el centro de servicio autorizado más cercano al 1-888-GENERAC. El número de parte para esta limpiador de aire es 073111.

Figura 14 - Filtro de aire



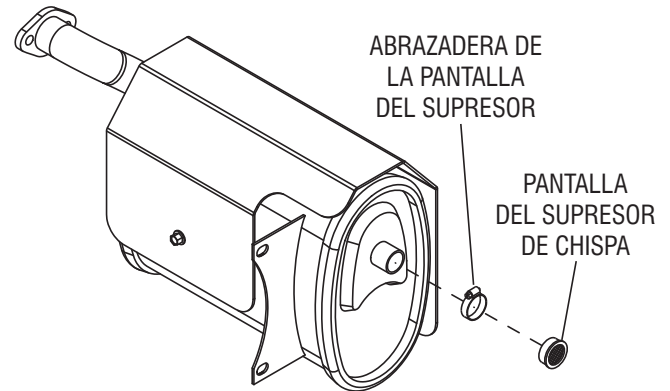
3.5 LIMPIEZA DE LA PANTALLA DE SUPRESIÓN DE CHISPA

El silenciador del escape del motor tiene una pantalla de supresión de chispa. Inspeccione y limpie la pantalla al menos una vez al año (Figura 15). Si la unidad se usa con regularidad, efectúe inspecciones y limpiezas con mayor frecuencia.

⚠ PELIGRO

Si usa el generador sobre algún terreno cubierto de césped, arbustos o plantas, debe estar equipado con un supresor de chispa! El dueño o el operador deben mantener el supresor de chispa en buenas condiciones.

Figura 15 – Pantalla del supresor de chispas



Limpie e inspeccione el supresor de chispa cuando el motor se encuentre a temperatura ambiental, como sigue:

- Suelte la abrazadera y retire la pantalla de supresor de chispa del silenciador.
- Inspeccione la pantalla y reemplácela si está rasgada o dañada de alguna forma. NO USE una pantalla defectuosa. Si la pantalla no está dañada, límpiela con un solvente comercial.
- Vuelva a colocar el supresor de chispa y asegúrelo con la abrazadera.

3.6 GENERAL

El generador debe ser arrancado al menos una vez cada 30 días y permitírsele que funcione al menos 30 minutos. Si esto no se puede hacer y la unidad debe almacenarse por más de 30 días, use la siguiente información como una guía para prepararlo para su almacenamiento.

⚠ PELIGRO

NUNCA almacene un motor con combustible en el tanque en interiores o en áreas cerradas poco ventiladas en donde los humos pueden alcanzar una llama abierta, chispa o flama piloto como en una chimenea, calentador de agua, secadora de ropa u otros aparatos a gas.

Deje enfriar la unidad completamente antes de almacenarla.

3.7 ALMACENAMIENTO POR LARGO PLAZO

Es importante evitar que durante el almacenamiento se formen depósitos de goma en las partes esenciales del sistema de combustible como el carburador, la manguera de combustible o el tanque. Para evitar problemas con el motor, el sistema de combustible deberá vaciarse antes de almacenarse por 30 días o más, como sigue:

- Retire toda la gasolina del tanque de combustible.

⚠ PRECAUCIÓN

! Drene el combustible en contenedores apropiados en exteriores, lejos de flamas abiertas. Asegúrese de que el motor esté frío. No fume en la cercanía ni encienda cigarro alguno.

- Arranque y haga funcionar el motor hasta que se detenga por falta de combustible.
- Deje enfriar el motor, luego drene el aceite del cárter. Rellene con el grado recomendado.
- Retire la bujía y llene alrededor de 1/2 onza (15 ml) de aceite de motor en el cilindro. Cubra el agujero de la bujía con un trapo. Tire del arrancador de recule un par de veces para lubricar los anillos del pistón y el recorrido del cilindro.

⚠ PRECAUCIÓN

! Evite la pulverización del agujero de la bujía en el arranque.

- Instale y ajuste la bujía. No conecte el cable de bujía.
- Limpie las otras superficies del generador. Revise que las aberturas y ranuras de aire de ventilación en el generador estén abiertas y sin obstrucciones.
- Almacene la unidad en un lugar limpio y seco.

3.8 OTROS CONSEJOS PARA ALMACENAMIENTO

- No almacene gasolina de una estación a otra.
- Reemplace cualquier lata de gasolina que empiece a oxidarse. El óxido o suciedad en la gasolina causará problemas con el carburador y el sistema de combustible.
- Si fuera posible, almacene la unidad en interiores y cúbrala para protegerla del polvo y la suciedad. Cubra la unidad con una cubierta protectora adecuada que no retenga humedad.
- **ASEGÚRESE DE VACIAR EL TANQUE DE COMBUSTIBLE.** Si no fuera práctico vaciar el tanque de combustible y la unidad tuviera que almacenarse por un tiempo, use un estabilizador de combustible comercialmente disponible y añádale a la gasolina para prolongar la vida de esta.

⚠ PRECAUCIÓN

! NUNCA cubra el generador mientras las áreas del motor y el escape estén calientes.

4.1 REEMPLAZO DE LA BATERIA

(XG7000E Y XG8000E)

NOTA:

La batería incluida en el generador ha sido cargada completamente. Una batería puede perder algo de su carga cuando no se le usa por tiempo prolongado. Si la batería es incapaz de arrancar el motor, conecte el cargador de 12 voltios incluido en la caja de accesorios (ver la sección Cargando una batería). EL HACER FUNCIONAR EL GENERADOR NO CARGA LA BATERÍA.

La batería incluida en el generador ha sido cargada completamente. Para reemplazar la batería (ver Figura 16):

- Retire el panel lateral como se muestra. Retire los cuatro pernos que aseguran el tanque de combustible.
- Gire la válvula de combustible sobre el panel de control a la posición "OFF". Tire el tanque de combustible hacia atrás ligeramente y retire la manguera de combustible que va del motor a la válvula de combustible.

⚠ PRECAUCIÓN

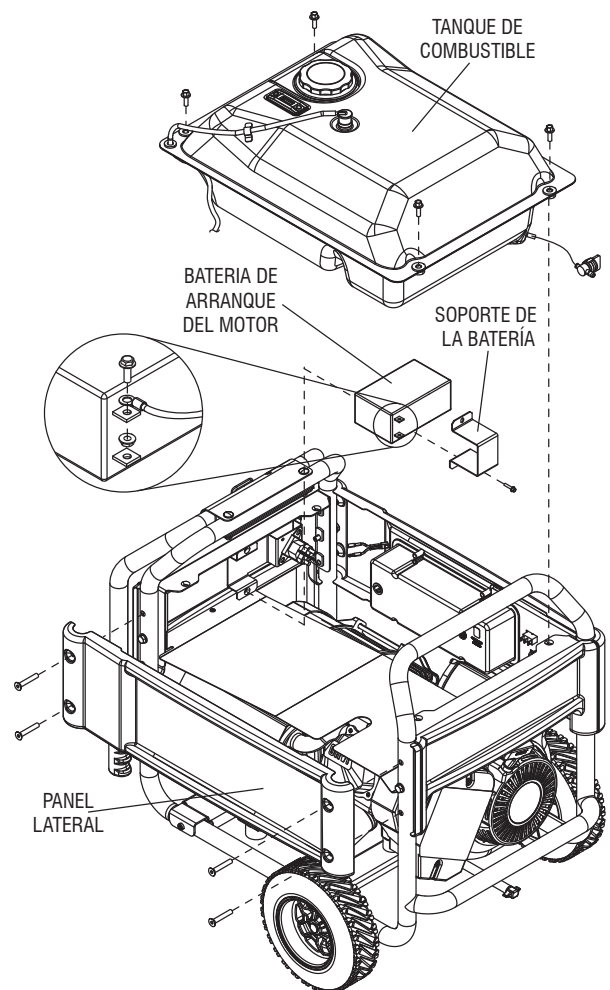
! Drene el combustible en contenedores apropiados en exteriores, lejos de flamas abiertas. Asegúrese de que el motor esté frío. No fume en la cercanía ni encienda cigarro alguno.

- Desconecte la manguera de recuperación de la válvula de giro. Empuje la manguera por el ojal que está en la esquina del tanque de combustible. Esto permitirá la extracción del tanque de combustible.
- Presione la válvula de combustible del panel de control y retire el tanque de combustible.
- Retire los cables de conexión de la batería (primero el cable negro) y el soporte de la batería.
- Vuelva a colocar la batería, conectando el cable rojo al terminal positivo (+) y el negro al terminal negativo (-).

NOTA:

Empiece a ajustar los cuatro tornillos en el panel lateral antes del ajuste final o no será posible poner a todos los tornillos en su lugar.

Figura 16 – Extracción de la batería



Resolución de problemas

5.1 GUÍA DE DETECCIÓN DE PROBLEMAS

PROBLEMA	CAUSA	CORRECCIÓN
El motor está funcionando, pero no hay salida de AC disponible.	<ol style="list-style-type: none"> 1. El interruptor de circuito está abierto. 2. Mala conexión o cable defectuoso. 3. El dispositivo conectado está mal. 4. Fallo en el generador. 5. GFCl acciona la toma de 20 amp. 	<ol style="list-style-type: none"> 1. Reinicie cortacircuitos. 2. Revise y repare. 3. Conecte otro dispositivo que esté en buenas condiciones. 4. Contacte a un servicio autorizado. 5. Repare el corto y reinicie el GFCl.
El motor funciona bien pero se atasca cuando se conectan las cargas.	<ol style="list-style-type: none"> 1. Cortocircuito en una carga conectada. 2. El generador está sobrecargado. 3. La velocidad del motor es muy lenta. 4. Corto a conexión a tierra en el circuito del generador. 	<ol style="list-style-type: none"> 1. Desconecte la carga eléctrica en corto. 2. Vea "No sobrecargue el generador" . 3. Contacte a un servicio autorizado. 4. Contacte a un servicio autorizado.
El motor no enciende.	<ol style="list-style-type: none"> 1. La batería está débil o muerta. 	<ol style="list-style-type: none"> 1. Recargue o reemplace la batería (ver "no hay salida de CC del cargador de batería" en la parte inferior de la guía). 2. Arranque el motor manualmente usando el arrancador de recule.
El motor no arranca o arranca pero funciona en forma irregular.	<ol style="list-style-type: none"> 1. El cierre de combustible está en OFF. 2. Filtro de aire sucio. 3. Sin gasolina. 4. Gasolina pasada. 5. El cable de la bujía no está conectado a esta. 6. Bujía en malas condiciones. 7. Agua en la gasolina. 8. Ahogado. 9. Nivel de aceite bajo. 10. Mezcla de combustible demasiado rica. 11. Válvula de entrada atascada o cerrada. 12. El motor ha perdido compresión. 	<ol style="list-style-type: none"> 1. Gire el cierre de combustible a ON. 2. Limpie o reemplace el filtro de aire. 3. Llene el tanque de combustible. 4. Drene y llene el tanque de combustible con gasolina fresca. 5. Conecte el cable a la bujía. 6. Reemplace la bujía. 7. Drene y llene el tanque de combustible con gasolina fresca. 8. Coloque la palanca de choke en posición No Choke. 9. Llene el cárter en el nivel apropiado. 10. Contacte a un servicio autorizado. 11. Contacte a un servicio autorizado. 12. Contacte a un servicio autorizado.
El motor se apaga durante la operación.	<ol style="list-style-type: none"> 1. Sin gasolina. 2. Nivel de aceite bajo. 3. Problemas en la gasolina. 	<ol style="list-style-type: none"> 1. Llene el tanque de combustible. 2. Llene el cárter en el nivel apropiado. 3. Contacte a un servicio autorizado.
El motor pierde potencia.	<ol style="list-style-type: none"> 1. La carga es demasiado alta. 2. Filtro de aire sucio. 3. El motor necesita servicio. 	<ol style="list-style-type: none"> 1. Vea "No sobrecargue el generador" . 2. Reemplace el filtro de aire. 3. Contacte a un servicio autorizado.
El motor se pierde o tartamudea.	<ol style="list-style-type: none"> 1. El choke se abre demasiado pronto. 2. El carburador está funcionando muy rico o muy ralo. 	<ol style="list-style-type: none"> 1. Mueva el choke a la posición media hasta que el motor funcione suavemente. 2. Contacte a un servicio autorizado.
No hay salida DC en el cargador de la batería.	<ol style="list-style-type: none"> 1. Los bornes de la batería están corroídos. 2. El cable de la batería está mal. 3. La batería está defectuosa. 4. El receptáculo está mal. 5. El fusible en línea de 1,5 Amp del cargador de la batería está fundido y abierto. 	<ol style="list-style-type: none"> 1. Limpiar los bornes de la batería. 2. Reemplace cable. 3. Revise la condición de la batería, reemplácela si está defectuosa. 4. Contacte a un servicio autorizado. 5. Reemplace el fusible con un reemplazo idéntico de 1,5 amps solamente (ubicado dentro del panel de control).

DECLARACIÓN DE GARANTÍA DE CONTROL DE EMISIONES DE LA EPA EE.UU. SUS DERECHOS DE GARANTÍA Y OBLIGACIONES

La Agencia de Protección Ambiental (EPA) de los EE.UU. y Generac Power Systems, Inc. (Generac) se complacen en explicar la garantía del Sistema de Control de Emisiones en su nuevo equipo de 2011 y posteriores. Los equipos nuevos que utilizan pequeños motores encendidos con chispa se deben diseñar, construir, y equipar de tal forma que cumplan con las estrictas normas contra el smog del gobierno federal. Generac garantiza el sistema de control de emisiones en su equipo por el período que se enumera a continuación siempre que no haya habido abuso, negligencia, modificación no aprobada o mantenimiento incorrecto de su equipo. El sistema de control de emisiones de este equipo incluye todos los componentes cuya falla aumentaría la emisión de todo contaminante regulado. Estos componentes se enumeran en la sección Información sobre Emisiones de este manual.

COBERTURA DE LA GARANTÍA DEL FABRICANTE:

Esta Garantía ECS es válida por dos años, o por el mismo período que se especifique en la Garantía Limitada Generac, el que sea más largo. Para los equipos que tienen medidor de horas, el período de garantía es un número de horas igual a la mitad de la vida útil para la que está certificado el equipo, o el período de garantía especificado en años, el que sea menor. La vida útil se puede encontrar en la etiqueta de Control de Emisiones del motor. Si durante dicho período de garantía se identifica que cualquier parte de su equipo relacionada con las emisiones está defectuosa en cuanto a sus materiales o fabricación, un Centro de Servicio de Garantía Autorizado de Generac realizará las reparaciones o reemplazos.

RESPONSABILIDADES DEL DUEÑO EN LA GARANTÍA:

Como dueño del equipo, usted es responsable de la realización de todo el mantenimiento requerido como se indica en su Manual del Usuario suministrado de fábrica. Para los propósitos de la garantía, Generac recomienda que guarde todos los recibos de mantenimiento de su generador, pero Generac no puede invalidar la garantía solamente debido a la falta de recibos.

Usted debe saber que Generac puede negar cualquier y/o toda garantía de cobertura o responsabilidad si su equipo, o una parte o componente del mismo, ha fallado debido al abuso, mantenimiento inapropiado, o modificaciones no autorizadas.

Usted es responsable de ponerse en contacto con un Centro de Garantía Autorizado de Generac tan pronto como ocurra un problema. Las reparaciones por garantía deben terminarse en un periodo de tiempo razonable, que no exceda de 30 días.

El servicio por garantía puede ser coordinado poniéndose en contacto con su distribuidor autorizado o con un Centro de Servicio de Garantía Autorizado de Generac. Para ubicar al Distribuidor de Servicio de Garantía Autorizado de Generac más cercano, llame al número gratuito que aparece debajo, o contáctenos a través del correo electrónico: emissions@generac.com.

1-800-333-1322

NOTA IMPORTANTE: Esta declaración de garantía explica sus derechos y obligaciones según la Garantía del Sistema de Control de Emisiones (Garantía ECS), que le es proporcionada por Generac conforme a la ley federal. Vea también las "Garantías Limitadas de Generac para Generac Power Systems, Inc.", que se incluyen en otra hoja en este documento, y que también le son proporcionadas por Generac. Observe que esta garantía no se aplicará a los daños incidentales, consecuentes o indirectos ocasionados por defectos en materiales o fabricación o a algún retraso en la reparación o el reemplazo de las partes defectuosas. Esta garantía reemplaza a las otras garantías, expresadas o implícitas. Específicamente, Generac no ofrece ninguna otra garantía en cuanto a la comerciabilidad o idoneidad para algún propósito en particular. Cualquier garantía implícita permitida por ley, será limitada en su duración a los términos de la garantía expresa proporcionada en el presente. Algunos estados no permiten limitaciones en cuanto a la duración de una garantía implícita, así que la limitación anterior puede no aplicarse a usted.

La Garantía del ECS se aplica solamente al sistema de control de emisiones de su nuevo equipo. La Garantía del ECS y la Garantía de Generac describen derechos y obligaciones importantes relacionadas con su nuevo motor.

El servicio de garantía puede realizarse solamente por un Centro de Servicio de Garantía Autorizado de Generac. Al pedir el servicio de garantía, se deben presentar pruebas en las que se indique la fecha de la venta al comprador/dueño original.

Si tiene alguna pregunta sobre sus derechos y responsabilidades de la garantía, debe contactarse con Generac, en la dirección siguiente:

**A LA ATENCIÓN DEL DEPARTAMENTO DE GARANTÍAS
GENERAC POWER SYSTEMS, INC.
P.O. BOX 297 • WHITEWATER, WI 53190**

GARANTÍA DEL SISTEMA DE CONTROL DE EMISIONES

Garantía del Sistema de Control de Emisiones [ECS, por sus siglas en inglés] (garantía del ECS) para equipos que usan pequeños motores encendidos con chispa:

- (a) Aplicación: Esta garantía se aplicará a los equipos que utilizan pequeños motores no para vehículos. El período de garantía del ECS comenzará en la fecha en que el equipo nuevo es comprado o entregado a su comprador/dueño original y usuario final, y continuará por 24 meses consecutivos después de esa fecha.
 - (1) El período especificado en la presente Garantía Limitada de Generac, pero no menos de 24 meses, o
 - (2) Para motores equipados con medidor de horas, un número de horas de operación igual a la mitad de la vida útil de motor. La vida útil se puede encontrar en la etiqueta de Control de Emisiones del motor.
- (b) Cobertura General de la Garantía de Emisiones: Generac garantiza al comprador/dueño original y usuario final del nuevo motor o equipo y a cada comprador/ dueño subsiguiente que el ECS cuando se instaló:
 - (1) Estaba diseñado, construido y equipado para cumplir con todas las normas aplicables; y
 - (2) Estaba libre de defectos en los materiales y fabricación que pudieran ocasionar fallas de una pieza con garantía en cualquier momento durante el Período de Garantía del ECS.
- (c) La garantía para las piezas relacionadas con emisiones será interpretada como sigue:
 - (1) Cualquier pieza con garantía que no esté programada para reemplazo como parte del mantenimiento necesario indicado en el Manual del Usuario será garantizada por el Período de Garantía del ECS. Si cualquiera de estas piezas falla durante el Período de Garantía del ECS, será reparada o reemplazada por Generac según la subsección (4) siguiente. Dicha parte reparada o reemplazada bajo la Garantía del ECS será garantizada por el resto del Período de Garantía del ECS.
 - (2) Cualquier parte garantizada que esté programada solamente para las inspecciones regulares según se especifique en el Manual del Usuario será garantizada por el Período de Garantía del ECS. Un enunciado en el Manual del Usuario que indique "repare o reemplace cuanto sea necesario" no reducirá el Período de Garantía del ECS. Dicha parte reparada o reemplazada bajo la Garantía del ECS será garantizada por el resto del Período de Garantía del ECS.
 - (3) Cualquier pieza con garantía que esté programada para reemplazo como parte del mantenimiento necesario en el Manual del Usuario será garantizada por el periodo de tiempo previo al primer reemplazo programado para dicha pieza. Si la pieza falla antes del primer reemplazo programado, la pieza será reparada o reemplazada por Generac según la subsección (4) siguiente. Dicha pieza relacionada con las emisiones que haya sido reparada o reemplazada bajo la garantía del ECS será garantizada por el resto del periodo previo al primer reemplazo programado para esa pieza.
 - (4) La reparación o el reemplazo de cualquier pieza garantizada relacionada con las emisiones bajo esta Garantía del ECS será sin cargo para el dueño en un Centro de Servicio de Garantía Autorizado de Generac.
 - (5) A pesar de las disposiciones de la subsección (4) anterior, los servicios de garantía o de reparaciones se deben proporcionar en un Centro de Servicio Autorizado de Generac.
 - (6) Cuando el motor es examinado por un Centro de Servicio de Garantía Autorizado de Generac, el comprador/dueño no será responsable del costo de diagnóstico si la reparación está cubierta por la garantía.
 - (7) Durante el Período de Garantía del ECS, Generac tendrá el inventario de piezas relacionadas con las emisiones bajo garantía suficiente para cubrir la demanda prevista para tales piezas.
 - (8) Las piezas de recambio relacionadas con las emisiones que hayan sido autorizadas y aprobadas por Generac se pueden utilizar durante cualquier mantenimiento o reparación de Garantía del ECS y serán proporcionadas sin cargo al comprador/dueño. Dicho uso no reducirá las obligaciones de la Garantía del ECS de Generac.
 - (9) No se pueden realizar otras modificaciones al generador, excepto aquellas explícitamente aprobadas por Generac. Las modificaciones no aprobadas anulan la Garantía ECS y son motivo suficiente para invalidar un reclamo a ésta.
 - (10) Generac no será responsable por fallas de repuestos no autorizados, o fallas de piezas autorizadas causadas por el uso de repuestos no autorizados.

LAS PIEZAS RELACIONADAS CON EMISIONES PUEDEN INCLUIR LAS SIGUIENTES (SI ESTÁN INSTALADAS):

- 1) SISTEMA DE DOSIFICACIÓN DEL COMBUSTIBLE
 - A. CARBURADOR Y PIEZAS INTERNAS
 - B. TANQUE/TAPÓN DE COMBUSTIBLE
 - C. LÍNEAS DE COMBUSTIBLE
 - D. LÍNEAS DE VENDEO EVAPORATIVO
 - E. REGULADOR (COMBUSTIBLES GASEOSOS)
- 2) SISTEMA DE INDUCCIÓN DE AIRE
 - A. MÚLTIPLE DE ADMISIÓN
 - B. FILTRO DE AIRE
- 3) SISTEMA DE IGNICIÓN
 - A. BUJÍAS
 - B. BOBINAS/MÓDULO DE ARRANQUE
- 4) SISTEMA DE INYECCIÓN DE AIRE
 - A. VÁLVULA DE INDUCCIÓN DE AIRE POR IMPULSOS
- 5) SISTEMA DE ESCAPE
 - A. CATALIZADOR
 - B. CAÑO DE ESCAPE

GARANTÍA LIMITADA DE "DOS AÑOS" DE GENERAC POWER SYSTEMS PARA LOS GENERADORES PORTÁTILES SERIE GP, LP, XG Y XT

Durante un período de dos (2) años desde la fecha de venta original, Generac Power Systems, Inc. (Generac) garantiza que sus generadores Serie GP, LP, XG y XT estarán libres de defectos de materiales y mano de obra para los ítems y el período indicados a continuación. Generac, a su, reparará o sustituirá cualquier pieza que, por medio del examen, inspección y prueba efectuados por Generac o un Concesionario de servicio de garantía autorizado de Generac, se determine que es defectuosa. La reparación o sustitución conforme a esta garantía limitada no renovará ni prolongará el período de garantía original. Todo producto reparado estará garantizado solo por el período de garantía original restante. Todo equipo que el comprador o propietario reclame como defectuoso deberá ser devuelto al Concesionario de servicio de garantía autorizado de Generac más cercano y examinado por este. Todos los costes de transporte conforme a la garantía, incluida la devolución a la fábrica, correrán por cuenta del comprador/propietario y deberán estar prepagados. Esta garantía se aplica solamente a los generadores portátiles Generac Serie GP LP, XG y XT y no puede ser transferida a un comprador diferente del comprador original. Guarde su recibo de prueba de compra. Si usted no proporciona prueba de la fecha de compra inicial, se utilizará la fecha de envío del fabricante para determinar el período de garantía.

PROGRAMA DE GARANTÍA

Las aplicaciones para consumidores están garantizadas durante dos (2) años. Las aplicaciones comerciales y para arrendamiento están garantizadas durante un (1) año o 1000 horas como máximo, lo que suceda primero.

APLICACIONES PARA CONSUMIDORES

AÑO UNO - Cobertura completa limitada sobre la mano de obra y la(s) pieza(s) listada(s) (se requiere prueba de compra y mantenimiento):

- Motor - Todos los componentes
- Alternador - Todos los componentes

AÑO DOS - Cobertura completa limitada sobre la(s) pieza(s) listada(s) (se requiere prueba de compra y mantenimiento):

- Motor - Todos los componentes
- Alternador - Todos los componentes

APLICACIONES COMERCIALES/PARA ARRENDAMIENTO

AÑO UNO - Cobertura completa limitada sobre la mano de obra y la(s) pieza(s) listada(s) (se requiere prueba de compra y mantenimiento):

- Motor - Todos los componentes
- Alternador - Todos los componentes

NOTA: Al los fines de esta garantía "uso de consumidores" significa uso personal residencial o recreativo por parte del comprador original. Esta garantía no se aplica a las unidades usadas para alimentación principal en lugar de un servicio público donde hay servicio público de alimentación o donde el servicio público de alimentación normalmente no existe. Una vez que un generador se ha sometido a uso comercial o de arrendamiento, se lo considerará posteriormente un generador de uso no destinado a consumidores a los fines de esta garantía.

DIRECTRICES:

1. Todas las reparaciones por garantía deben ser efectuadas y/o dirigidas por un concesionario autorizado o certificado de Generac o una sucursal de este.
2. Las unidades que hayan sido revendidas no están cubiertas por la garantía de Generac dado que esta garantía no es transferible.
3. Los daños a cualquier componente o los daños emergentes causados por el uso de una pieza que no sea OEM no estarán cubiertos por la garantía.
4. Generac puede elegir reparar, sustituir o reembolsar una pieza del equipo.
5. Las tarifas de mano de obra de la garantía se basan en horas de trabajo normales. Los costes adicionales por horas extra y feriados y los costes de mano de obra de emergencia por reparaciones fuera del horario de trabajo normal serán responsabilidad del cliente.
6. Los costes de envío de piezas por garantía se reembolsarán con las tarifas de envío terrestre. Los costes relativos a solicitudes de envío urgente serán responsabilidad del cliente.
7. Las baterías están garantizadas por el fabricante de las baterías.
8. Puede requerirse la verificación del mantenimiento requerido para la cobertura de la garantía.

ESTA GARANTÍA NO SE APLICA A LO SIGUIENTE:

1. Costes de mantenimiento y ajustes normales.
2. Fallos causados por cualquier combustible o aceite contaminado o por falta de los niveles de aceite apropiados.
3. Las reparaciones o los diagnósticos efectuados por personas diferentes de los concesionarios autorizados de Generac no autorizados por escrito por Generac.
4. Fallos debidos, pero no limitados a: desgaste y daños normales, accidente, uso indebido, abuso, negligencia o uso inapropiado.
5. Al igual que con todos los dispositivos mecánicos, los motores Generac requieren servicio y sustitución periódicos de pieza a fin de funcionar del modo previsto. Esta garantía no cubre las reparaciones cuando el uso normal ha agotado la vida útil de una pieza o piezas o el motor.
6. Los fallos causados por una causa externa o fuerza mayor, tal como colisión, robo, vandalismo, disturbios o guerras, holocausto nuclear, incendio, rayos, terremoto, tormenta de viento, granizo, erupción volcánica, agua o inundación, tornado o huracán.
7. Daños relacionados con plagas de roedores y/o insectos.
8. Los productos que sean modificados o alterados en forma no autorizada por Generac por escrito.

Garantía

9. Todos los daños accesorios, emergentes o indirectos causados por defectos en los materiales o mano de obra o toda demora en la reparación o sustitución de la(s) pieza(s) defectuosa(s).
10. Fallos debido a la aplicación incorrecta.
11. Gastos relacionados con "instrucción del cliente" o resolución de problemas cuando no se encuentren defectos de fabricación.
12. Equipos arrendados usados mientras se estaban efectuando reparaciones de garantía.
13. Baterías de arranque, fusibles, bombillas y fluidos del motor.

ESTA GARANTÍA SUSTITUYE CUALQUIER OTRA GARANTÍA, EXPRESA O IMPLÍCITA. ESPECÍFICAMENTE, GENERAC NO EXTIENDE NINGUNA OTRA GARANTÍA ACERCA DE LA COMERCIALIZACIÓN O APTITUD PARA UN PROPÓSITO EN PARTICULAR. La duración de todas las garantías implícitas permitidas por la ley estará limitada a las condiciones de la garantía expresa estipulada en la presente. Algunos estados no permiten limitaciones de la duración de una garantía implícita; por lo tanto, la limitación precedente puede no aplicarse a usted. LA ÚNICA RESPONSABILIDAD DE GENERAC SERÁ REPARAR O SUSTITUIR LA(S) PIEZA(S) COMO SE ESTIPULA PRECEDENTEMENTE. GENERAC NO SERÁ RESPONSABLE EN NINGÚN CASO POR NINGÚN DAÑO ACCESORIO O EMERGENTE, AUN CUANDO TAL DAÑO SEA RESULTADO DIRECTO DE LA NEGLIGENCIA DE GENERAC. Algunos estados no permiten la exclusión o limitación de daños accesorios o emergentes, de manera que la limitación precedente puede no aplicarse a usted. Esta garantía le otorga derechos legales específicos. Usted también tiene otros derechos que varían en diferentes estados.

SOLO PARA AUSTRALIA: Nuestros productos se entregan con garantías que no pueden ser excluidas según la Australian Consumer Law (Ley australiana de consumidores). Usted tiene derecho a sustitución o reembolso por un fallo mayor y a compensación por cualquier otra pérdida o daño razonable previsible. Usted también tiene derecho a que los bienes sean reparados o sustituidos si los bienes no son de calidad aceptable y la falla no llega a ser un fallo mayor. Para consultas sobre servicio u otros productos en Australia, comuníquese con Allpower por teléfono al 1800-333-428 o visite el sitio Web de Allpower en www.allpower.com.au.

SOLO PARA NUEVA ZELANDA: Nada de esta declaración de garantía excluye, restringe o modifica ninguna condición, derecho de garantía o solución que, conforme a la legislación de Nueva Zelanda (Comunidad o Estado), incluso la Fair Trading Practices Act (Ley de transacciones comerciales justas) de 1986 o la Consumer Guarantees Act (Ley de garantías de los consumidores, "CGA") de 1993, se aplique a esta garantía limitada y por lo tanto no puede ser sometida a exclusiones, restricciones o modificaciones. Nada de esta declaración tiene el propósito de tener efecto de contratar fuera de las previsiones de la CGA, excepto con el alcance permitido por la ley y estos términos se deben modificar con el alcance necesario para hacer efectiva esta intención. Si adquiere bienes de Generac Power Systems o alguno de sus revendedores y distribuidores autorizados con propósitos comerciales, entonces, conforme a la sección 43(2) de la CGA, se acuerda que no se aplican las previsiones de la CGA. Para consultas sobre servicio u otros productos en Nueva Zelanda, comuníquese con Allpower por teléfono al 09-269-1160 o visite el sitio Web de Allpower en www.allpower.com.nz.

GENERAC POWER SYSTEMS, INC. • P.O. Box 8 • Waukesha, WI 53187, EE. UU.

Tel.: (888) GENERAC (436-3722) • Fax: (262) 544-4851

Para ubicar el Concesionario autorizado más cercano, visite nuestro sitio web www.generac.com

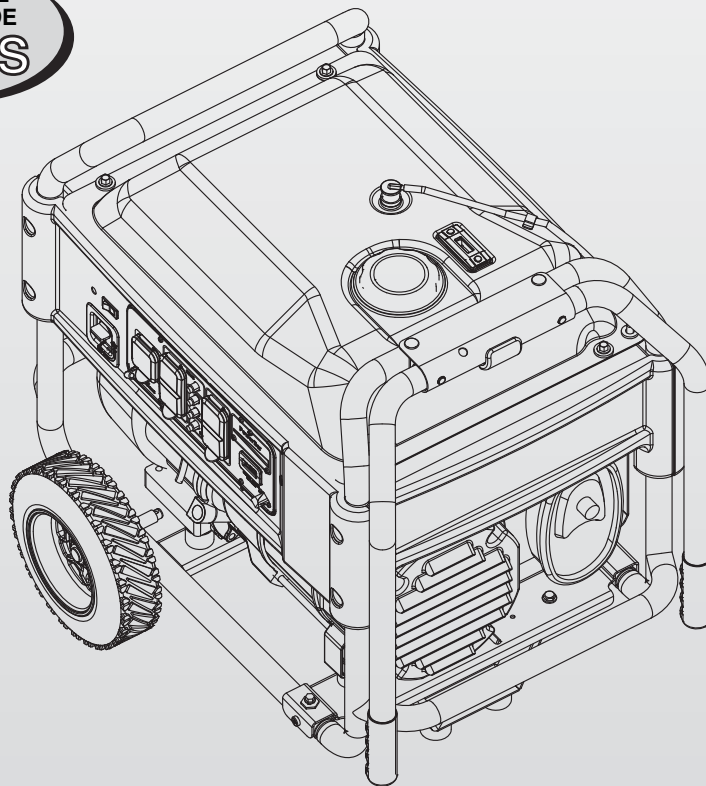
Número de pieza 0K3663

Revisión C (05/13)

Manuel d'entretien

Générateur portable de 6 500 - 8 000 watts
série XG

GARANTIE
LIMITÉE DE
2 ANS



⚠ DANGER!

- ⚠ GAZ D'ÉCHAPPEMENT MORTEL ! Utiliser UNIQUEMENT à L'EXTÉRIEUR loin des fenêtres, portes et événements !**
- ⚠ L'UTILISATION N'EST PAS PRÉVUE POUR LES MOYENS D'ENTRETIEN ARTIFICIEL DE LA VIE.**
- ⚠ CONSERVER ce manuel. Fournir ce manuel aux opérateurs de la génératrice.**

Table des matières

Introduction.....	47	Maintenance	58
Lire attentivement ce manuel	47	3.1 Programme de maintenance.....	58
Règles de sécurité.....	47	3.2 Caractéristiques techniques des produits.....	58
Index des normes.....	49	3.3 Recommandations générales.....	59
Informations générales.....	50	3.4 Entretien du filtre à air	60
1.1 Déballage.....	50	3.5 Nettoyage de l'écran pare-étincelles.....	60
1.2 Montage.....	50	3.6 Généralités.....	60
Fonctionnement	51	3.7 Stockage à long terme	61
2.1 Bien connaître le générateur	51	3.8 Autres conseils de stockage.....	61
2.2 Horomètre - Pas de réinitialiser.....	52	Entretien de la batterie	61
2.3 Horomètre - Avec remise à zéro	52	4.1 Branchement de la batterie (XG7000E et XG8000E).....	61
2.4 Cordons et connecteurs	53	Dépannage.....	63
2.5 Utilisation du générateur.....	53	5.1 Guide de dépannage.....	63
2.6 Ne pas surcharger le générateur.....	55	Remarques	64
2.7 Guide de référence de wattage	55	Garantie	67
2.8 Avant le démarrage du générateur	55		
2.9 Démarrage du moteur	56		
2.10 Arrêt du moteur.....	57		
2.11 Système d'arrêt de basse pression d'huile	57		
2.12 Chargement de la batterie (XG7000E ET XG8000E)	57		

ADVERTISSEMENT!

Proposition 65 Californie

L'échappement du moteur et certains de ses constituants sont susceptibles selon l'État de Californie d'entraîner des cancers, des malformations congénitales ou pouvant être nocifs pour le système reproductif.

ADVERTISSEMENT!

Proposition 65 Californie

Ce produit contient ou émet des produits chimiques susceptibles selon l'État de Californie d'entraîner des cancers, des malformations congénitales ou autres maladies pouvant être nocifs pour le système reproductif.

INTRODUCTION

Nous vous remercions d'avoir acheté ce modèle fabriqué par Generac Power Systems, Inc. Ce modèle est un générateur entraîné par moteur compact, à haute performance, refroidi à l'air, conçu pour fournir l'alimentation électrique afin de faire fonctionner les charges électriques lorsqu'aucun réseau électrique n'est disponible ou à la place du réseau en raison d'une coupure de courant.

LIRE ATTENTIVEMENT CE MANUEL

En cas d'incompréhension d'une partie de ce manuel, contacter le dépositaire agréé le plus proche pour connaître les procédures de démarrage, de fonctionnement et d'entretien.

L'opérateur est responsable de l'utilisation correcte et sûre de l'équipement. Nous recommandons fortement à l'opérateur de lire ce manuel et de comprendre complètement toutes les instructions avant d'utiliser l'équipement. Nous recommandons également fortement d'apprendre à d'autres utilisateurs comment correctement démarrer et faire fonctionner l'unité. Cela les prépare au cas où ils auraient besoin de faire fonctionner l'équipement pour une urgence.

Le générateur peut fonctionner en toute sécurité, de façon efficace et de façon fiable uniquement s'il est correctement installé, utilisé et entretenu. Avant de faire fonctionner ou d'effectuer l'entretien du générateur :

- Se familiariser avec et respecter strictement tous les codes et réglementations locaux, d'État et nationaux.
- Lire attentivement tous les avertissements de sécurité figurant dans ce manuel et sur le produit.
- Se familiariser avec ce manuel et l'unité avant de l'utiliser.

Le fabricant ne peut pas anticiper toutes les situations possibles qui peuvent impliquer un danger. Les avertissements de ce manuel et figurant sur les étiquettes et les autocollants apposés sur l'unité ne sont, toutefois, pas exhaustifs. Si vous suivez une procédure, une méthode de travail ou une technique de fonctionnement que le fabricant ne recommande pas en particulier, assurez-vous qu'elle est sans danger pour les autres. S'assurer que la procédure, la méthode de travail ou la technique de fonctionnement choisie ne rende pas le générateur dangereux.

LES INFORMATIONS CONTENUES DANS LE PRÉSENT MANUEL SE BASENT SUR LES MACHINES EN PRODUCTION AU MOMENT DE LA PUBLICATION. GENERAC SE RÉSERVE LE DROIT DE MODIFIER CE MANUEL À TOUT MOMENT.

RÈGLES DE SÉCURITÉ

Dans tout ce manuel, et sur les étiquettes et sur les autocollants apposés sur le générateur, les blocs DANGER, AVERTISSEMENT, ATTENTION et REMARQUE servent à alerter le personnel d'instructions spéciales au sujet d'une opération spécifique qui peut s'avérer dangereuse si elle n'est pas effectuée correctement ou avec précaution. Les respecter attentivement. Leurs définitions sont les suivantes :

▲ DANGER !

INDIQUE UNE SITUATION OU UNE ACTION DANGEREUSE QUI, SI ELLE N'EST PAS ÉVITÉE, ENTRAÎNERA LA MORT OU DES BLESSURES GRAVES.

▲ AVERTISSEMENT !

Indique une situation ou une action dangereuse qui, si elle n'est pas évitée, pourrait entraîner la mort ou des blessures graves.

▲ ATTENTION !


Indique une situation ou une action dangereuse qui, si elle n'est pas évitée, entraînera des blessures légères ou modérées.

REMARQUE :

Les remarques contiennent des informations supplémentaires importantes relatives à une procédure et se trouvent dans le corps de texte régulier de ce manuel.

Ces avertissements de sécurité ne peuvent pas éliminer les dangers qu'ils signalent. Le sens commun et le respect strict des instructions spéciales lors de l'action ou l'entretien sont essentiels pour éviter les accidents.

Quatre symboles de sécurité couramment utilisés accompagnent les blocs **DANGER**, **AVERTISSEMENT** et **ATTENTION**. Chacun indique le type d'informations suivant :

 **Ce symbole indique des informations importantes relatives à la sécurité qui, si elles ne sont pas suivies, pourraient mettre en danger la sécurité personnelle et/ou les biens.**

 **Ce symbole indique un risque potentiel d'explosion.**

 **Ce symbole indique un risque potentiel d'incendie.**

 **Ce symbole indique un risque potentiel d'électrocution.**

DANGERS GÉNÉRAUX

- NE JAMAIS faire fonctionner dans un espace clos, dans un véhicule, ou à l'intérieur même si les portes et les fenêtres sont ouvertes.
- Pour des raisons de sécurité, le fabricant recommande que la maintenance de cet équipement soit effectuée par un dépositaire agréé. Inspecter régulièrement le générateur et contacter le dépositaire agréé le plus proche pour les pièces qui nécessitent une réparation ou un remplacement.
- Faire fonctionner le générateur uniquement sur des surfaces de niveau et où il ne sera pas exposé à l'humidité, aux saletés, à la poussière ou aux vapeurs corrosives excessives.
- Tenir les mains, les pieds, les vêtements, etc., à distance des courroies de transmission, des ventilateurs et d'autres pièces mobiles. Ne jamais retirer tout protège-ventilateur pendant que l'unité fonctionne.
- Certaines pièces du générateur deviennent extrêmement chaudes pendant le fonctionnement. Rester à distance du générateur tant qu'il n'a pas refroidi afin d'éviter des brûlures graves.
- NE PAS faire fonctionner le générateur sous la pluie.
- Ne pas modifier la construction du générateur ni les commandes, ce qui pourrait créer une condition de fonctionnement dangereuse.
- Ne jamais démarrer ou arrêter l'unité avec les charges électriques branchées aux prises ET avec des dispositifs branchés sous tension. Démarrer le moteur et le laisser se stabiliser avant de brancher les charges électriques. Débrancher toutes les charges électriques avant d'arrêter le générateur.
- Ne pas insérer d'objet dans les fentes de refroidissement de l'unité.
- Lors du travail sur cet équipement, conserver l'alerte à tout moment. Ne jamais travailler sur l'équipement en cas de fatigue physique ou mentale.

Règles de sécurité

- Ne jamais utiliser le générateur ou n'importe laquelle de ses pièces comme marche. Monter sur l'unité peut écraser et casser les pièces, et peut entraîner des conditions de fonctionnement dangereuses suite à une fuite de gaz d'échappement, une fuite de carburant, une fuite d'huile, etc.
- Sur les modèles à démarrage électrique, débrancher le câble de batterie POSITIF (+) du démarreur du moteur OU le câble de batterie NÉGATIF (-) de la borne de la batterie, ce qui est le plus facile, avant de transporter le générateur.

REMARQUE :

Le générateur est équipé d'un silencieux pare-étincelles. Le propriétaire / l'opérateur du générateur devra garder le pare-étincelles en bon état. Dans l'État de Californie, un pare-étincelles est exigé par la loi (Section 4442 du California Public Resources Code (Code de ressources publiques de Californie)). Les autres États peuvent avoir des lois similaires. Les lois fédérales s'appliquent sur les terres fédérales.

DANGERS D'ÉCHAPPEMENT ET D'EMPLACEMENT

- **Ne jamais faire fonctionner dans un espace clos ou à l'intérieur. NE JAMAIS faire fonctionner dans un espace clos, dans un véhicule, ou à l'intérieur même si les portes et les fenêtres sont ouvertes ! Utiliser UNIQUEMENT à l'extérieur et loin des fenêtres, portes ouvertes, ventilations, et dans un espace dans lequel le gaz d'échappement ne s'accumulera pas de façon mortelle.**

	
Utiliser un générateur à l'intérieur PEUT VOUS TUER EN QUELQUES MINUTES. Les gaz d'échappement du générateur contiennent du monoxyde de carbone. C'est un gaz toxique invisible et inodore.	
 NE JAMAIS utiliser à l'intérieur d'une maison ou d'un garage, MÊME SI les portes et les fenêtres sont ouvertes.	 Utiliser UNIQUEMENT à l' EXTÉRIEUR et loin des fenêtres, portes et ventilations.

- Les fumées d'échappement du moteur contiennent du monoxyde de carbone, un gaz toxique invisible et inodore. Ce gaz toxique, s'il est respiré en concentrations suffisantes, peut entraîner une perte de conscience ou même la mort.
- Un débit approprié, non obstrué d'air de refroidissement et de ventilation est important pour corriger le fonctionnement du générateur. Ne pas modifier l'installation ou ne pas laisser même un blocage partiel de l'alimentation de ventilation, étant donné que cela peut sérieusement affecter le fonctionnement sûr du générateur. Il FAUT faire fonctionner le générateur à l'extérieur.
- Ce système d'échappement doit être correctement entretenu. Ne rien faire qui pourrait rendre le système d'échappement dangereux ou non conforme aux codes locaux et/ou normes locales.
- Toujours utiliser un détecteur d'oxyde de carbone à alimentation par batterie à l'intérieur, conformément aux instructions du fabricant.
- Si vous commencez à vous sentir malade, à avoir des étourdissements ou à vous sentir faible après le fonctionnement du générateur, respirez de l'air frais IMMÉDIATEMENT. Consultez un médecin car vous pourriez avoir été empoisonné au monoxyde de carbone.

DANGERS ÉLECTRIQUES

- Le générateur produit une tension dangereusement haute pendant son fonctionnement. Éviter le contact avec les fils nus, les bornes, les branchements, etc., pendant le fonctionnement de l'unité, même sur l'équipement branché au générateur. S'assurer que tous les couvercles, les dispositifs de protection et les barrières sont en place avant de faire fonctionner le générateur.
- Ne jamais manipuler tout type de cordon ou de dispositif électrique qui est dans l'eau, alors que vous êtes pieds nus ou que vos mains ou vos pieds sont mouillés. **CELA ENTRAÎNERA UN RISQUE D'ÉLECTROCUTION.**
- Le National Electric Code (Code électrique national) exige que le bâti et que les pièces externes électriquement conductrices du générateur soient correctement reliés à une terre approuvée. Les codes électriques locaux peuvent également exiger la bonne mise à la terre du générateur. Consulter un électricien local pour connaître les exigences de mise à la terre dans la région.
- Utiliser un disjoncteur de fuite à la terre dans toute zone humide ou très conductrice (telle que le carter protecteur métallique ou l'aciérie).
- Ne pas utiliser de cordons électriques usés, nus, effilochés ou autrement endommagés avec le générateur.
- Avant d'effectuer toute maintenance sur le générateur, débrancher la batterie de démarrage du moteur (le cas échéant) afin d'empêcher un démarrage accidentel. Débrancher le câble de la borne de la batterie signalée par l'inscription NEGATIVE (Négatif), NEG ou le signe (-) en premier. Rebrancher ce câble en dernier.
- En cas d'accident causé par électrocution, couper immédiatement la source d'alimentation électrique. Si cela est impossible, essayer de libérer la victime du conducteur sous tension. **ÉVITER TOUT CONTACT DIRECT AVEC LA VICTIME.** Utiliser un objet non conducteur, comme une corde ou une planche, pour libérer la victime du conducteur sous tension. Si la victime est inconsciente, assurer les premiers secours et demander une aide médicale immédiate.

RISQUES D'INCENDIE

- L'essence est extrêmement **INFLAMMABLE** et ses vapeurs sont **EXPLOSIVES**. Ne pas produire de fumée, flammes nues, étincelles ou chaleur à proximité de l'endroit où l'essence est manipulée.
- Ne jamais ajouter de carburant lorsque l'unité fonctionne ou est chaude. Laisser le moteur complètement refroidir avant d'ajouter du carburant.
- **Ne jamais remplir le réservoir d'essence à l'intérieur.** Respecter toutes les lois réglementant le stockage et la manipulation de l'essence.
- **Ne pas trop remplir le réservoir d'essence. Toujours laisser de la place pour l'expansion du carburant.** En cas de suremplissage du réservoir, le carburant peut déborder sur un moteur chaud et entraîner un **INCENDIE** ou une **EXPLOSION**. Ne jamais stocker le générateur avec le réservoir rempli de carburant étant donné que les vapeurs d'essence pourraient atteindre une flamme ouverte, des étincelles ou une veilleuse (comme il y en a sur une chaudière, un chauffe-eau ou sur un sèche-linge). Cela peut entraîner un **INCENDIE** ou une **EXPLOSION**. Laisser l'unité complètement refroidir avant le stockage.
- Nettoyer immédiatement toute éclaboussure de carburant ou d'huile. S'assurer qu'aucune matière combustible ne reste sur ou à proximité du générateur. Garder l'espace environnant du générateur propre et sans débris et garder un jeu de cinq (5) pieds sur tous les côtés afin de permettre une aération adaptée du générateur.

- Ne pas insérer d'objet dans les fentes de refroidissement de l'unité.
- **Ne pas** faire fonctionner le générateur si des dispositifs électriques branchés surchauffent ; si la puissance électrique est perdue ; si le moteur ou le générateur fait des étincelles ; si des flammes ou de la fumée sont détectées alors que l'unité fonctionne.
- Garder un extincteur à proximité du générateur à tout moment.

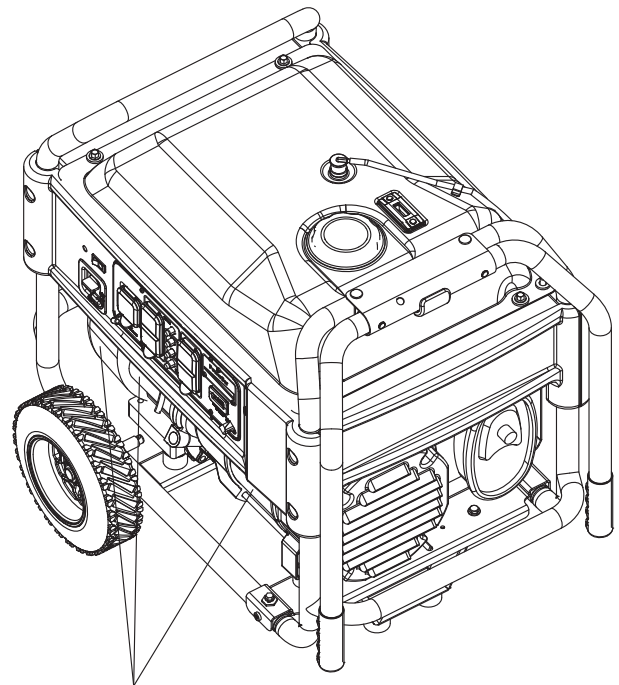
INDEX DES NORMES

En l'absence de normes, codes, réglementations et lois applicables, les informations publiées indiquées ci-dessous peuvent servir de directive pour le fonctionnement de cet équipement. Toujours se reporter à la dernière révision disponible pour les normes indiquées.

1. NFPA N° 70, NFPA HANDBOOK OF NATIONAL ELECTRIC CODE (Manuel NFPA du code électrique national).
2. Article X, NATIONAL BUILDING CODE (Code de construction national), disponible auprès de l'American Insurance Association, 85 John Street, New York, N.Y. 10038.
3. AGRICULTURAL WIRING HANDBOOK (Manuel de câblage agricole), disponible auprès du Food and Energy Council, 909 University Avenue, Columbia, MO 65201.
4. ASAE EP-3634, INSTALLATION AND MAINTENANCE OF FARM STANDBY ELECTRICAL SYSTEMS (Installation et maintenance des systèmes électriques de secours pour les fermes), disponible auprès de l'American Society of Agricultural Engineers, 2950 Niles Road, St. Joseph, MI 49085.

N° DE MODÈLE :	
N° DE SÉRIE :	

Identification du générateur



Emplacements
ID de l'unité

Informations générales

1.1 DÉBALLAGE

- Retirer tous les éléments d'emballage.
- Enlever la boîte d'accessoires séparée.
- Retirer le carton du générateur.

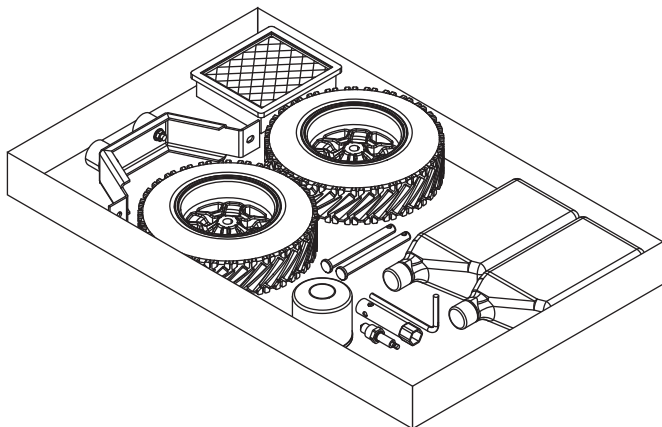
1.1.1 BOÎTE D'ACCESSOIRES

Vérifier le contenu de la boîte (Schéma 1). Si des pièces sont absentes ou endommagées, merci de localiser un dépositaire agréé au 1-888-436-3722.

La boîte contient :

- | | |
|---|-------------------------------------|
| • 2 – Axes d'essieu | • Filtre à huile |
| • 2 – Bagues d'espacement | • Filtre à air |
| • 2 – Épingles à cheveux | • Bougie d'allumage |
| • 2 – Roues | • Clé à bougie d'allumage |
| • 1 – Pied du bâti | • Serviette industrielle |
| • 2 – Boulons du bâti | • 2 – Rondelles du châssis |
| • 2 – Supports anti-vibration | • Entonnoir à huile |
| • 4 – Écrous à collet | • Chargeur d'adaptateur de 12 volts |
| • 2 – bidons d'huile de 1 litre SAE 30. | |

Schéma 1 – Boîtes d'accessoires



1.2 MONTAGE

Merci de lire entièrement le manuel d'entretien avant de monter ou de faire fonctionner le générateur. Il est nécessaire d'effectuer quelques étapes de montage avant d'utiliser le générateur. Si des problèmes se présentent lors du montage du générateur, merci d'appeler la ligne d'assistance pour les générateurs au 1-888-436-3722.

1.2.1 MONTAGE DU KIT DE ROULETTES ET DU PIED DU BÂTI

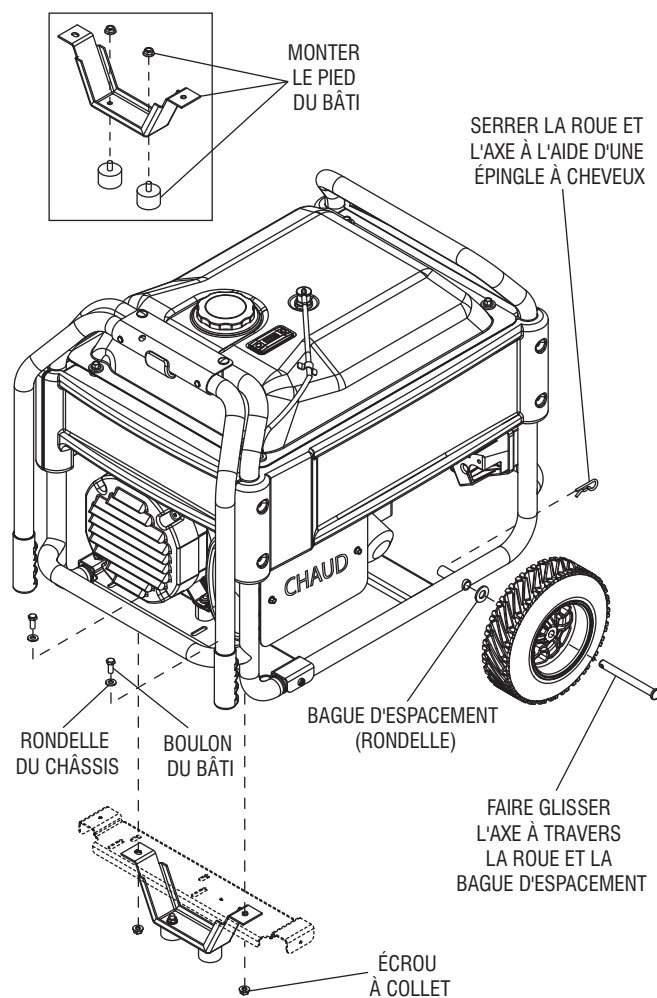
Le kit de roulettes est conçu pour améliorer considérablement la portabilité du générateur. Vous aurez besoin des outils suivants pour installer le kit de roulettes : des pinces, une clé de 0,5 pouces (13 mm) et une clé à pipe avec une pipe de 0,5 pouces (13 mm).

REMARQUE :

Le kit de roulettes n'est pas conçu pour une utilisation sur la route.

- Merci de vous reporter au Schéma 2 et d'installer le kit de roulettes et le pied du bâti comme suit :
- Faire glisser l'axe d'essieu, la bague d'espacement (rondelle) et le bâti.
- Insérer l'épingle à cheveux dans l'axe d'essieu pour fixer la roue. Suivre la même procédure sur le côté opposé.
- Fixer les supports anti-vibrations au pied du bâti avec les écrous de blocage fournis.
- Pour installer le pied du bâti, insérer les boulons du bâti dans les rondelles du châssis, le bâti et le pied du bâti. Fixer avec les écrous à collet.

Schéma 2 – Montage des roues et du pied



2.1 BIEN CONNAÎTRE LE GÉNÉRATEUR

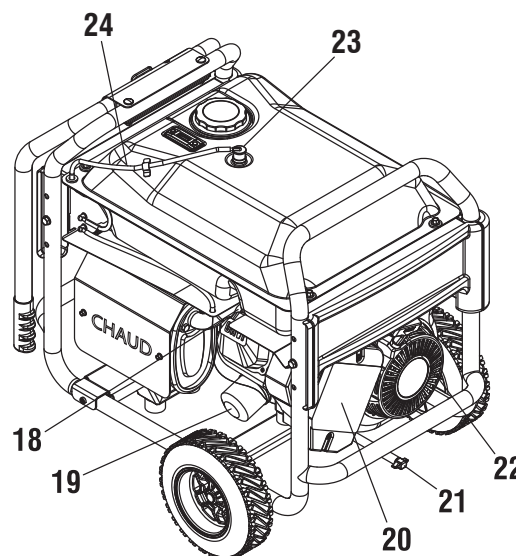
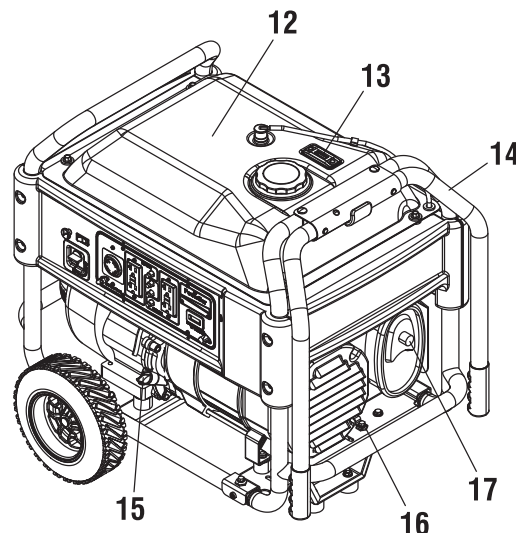
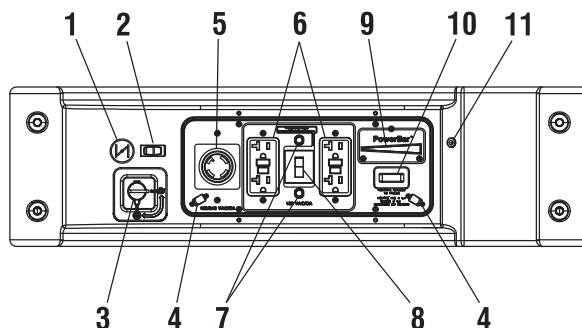
Lire le Manuel d'entretien et les Règles de sécurité en entier avant de faire fonctionner ce générateur.

Comparer le générateur aux Schémas 3 à 6 pour vous familiariser avec les emplacements des divers contrôles et réglages. Conserver ce manuel pour mémoire.

1. **Levier d'étrangleur** – Utilisé au démarrage d'un moteur froid (à poussoir et à gâchette).
2. **Interrupteur du moteur** – Contrôle le fonctionnement du générateur. Sur les modèles à démarrage électrique, l'interrupteur est Start/Run/Stop (Démarrage/Marche/Arrêt). Sur les modèles à démarrage à rappel, l'interrupteur est On/Off (Marche/Arrêt).
3. **Soupape d'arrêt** – Soupape entre le réservoir d'essence et le carburateur. Mettre hors tension le carburateur et s'assurer qu'il n'y a plus de carburant dans celui-ci pour le stockage prolongé.
4. **DEL du panneau** – Éclaire le panneau de commande pendant le fonctionnement du générateur.
5. **Prise à verrouillage 120/240 V c.a., 30 A** – Fournit une alimentation électrique pour le fonctionnement d'un éclairage électrique, d'appareils, d'outils et de charges de moteur 120 V et / ou 240 V c.a., 30 A, monophasé, 60 Hz.
6. **Prise double à DDFT 120 V c.a., 20 A** – Fournit une alimentation électrique pour le fonctionnement d'un éclairage électrique, d'appareils, d'outils et de charges de moteur 120 V c.a., 20 A, monophasé, 60 Hz. Elle fournit également une protection avec un disjoncteur de fuite à la terre intégré, en appuyant sur un bouton « Test » et « Reset » (Réinitialiser).
7. **Disjoncteurs (c.a.)** – Chaque prise de 20 A est fournie avec un disjoncteur de type « pousser pour réenclencher » pour protéger le générateur contre les surcharges électriques.
8. **Disjoncteurs (c.a.)** – La prise de 30 A est protégée par un disjoncteur bipolaire pour protéger le générateur contre les surcharges électriques.
9. **Bloc d'alimentation** – Indique la consommation électrique du générateur ; chaque section est d'environ 25 %
10. **Horomètre** – Indique les heures de fonctionnement pour les intervalles d'entretien.
11. **Entrée du chargeur de batterie (modèles à démarrage électrique)** – Cette prise a la capacité de recharger la batterie de démarrage du moteur de 12 VCC à l'aide du chargeur d'adaptateur de 12 volts. La batterie est protégée par un fusible en ligne de 1,50 A qui se trouve à l'intérieur du panneau de commande.
12. **Réservoir d'essence** – Le réservoir peut contenir 9 gallons U.S. d'essence.
13. **Jauge de carburant** – Indique le niveau de carburant dans le réservoir.
14. **Poignées** – Pivoter et rétracter pour le stockage. Appuyer sur le bouton à ressort pour déplacer les poignées.
15. **Remplissage d'huile** – Vérifier le niveau d'huile et ajouter de l'huile ici.
16. **Borne de mise à la terre** – Relie le générateur à une terre approuvée. Voir la section « Mise à la terre du générateur » pour plus d'informations.
17. **Pot d'échappement** – Inclut le pare-étincelles et rend silencieux le moteur.
18. **Emplacement de la bougie d'allumage** – La bougie d'allumage enflamme le mélange air / carburant (il faut retirer le panneau latéral).
19. **Filtre d'huile de moteur** – Filtre l'huile de moteur ; voir Section 3.1 pour le calendrier d'entretien.
20. **Filtre à air** – Filtre l'air aspiré par le moteur.
21. **Vidange d'huile** – Soupape de vidange destinée à retirer l'huile usagée du carter du moteur.

22. **Lanceur à rappel** – Utiliser pour démarrer le moteur manuellement.
23. **Soupape de sécurité** – Passe les vapeurs d'essence dans le réservoir au moteur.
24. **Tuyau de récupération** – Installé entre la soupape de sécurité et le moteur.

Schéma 3 – Emplacements du générateur



Fonctionnement

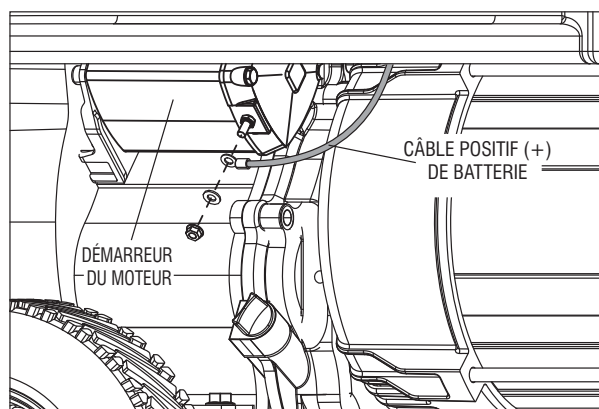
2.1.1 BRANCHEMENT DE LA BATTERIE (XG7000E ET XG8000E)

REMARQUE :

La batterie envoyée avec le générateur a été complètement chargée. Une batterie peut perdre une partie de sa charge lorsqu'elle n'est pas utilisée pendant des périodes prolongées. S'il est impossible de démarrer le moteur à l'aide de la batterie, brancher le chargeur de 12 V inclus dans la boîte d'accessoires (voir la section « Chargement de la batterie »). FAIRE FONCTIONNER LE GÉNÉRATEUR NE CHARGE PAS LA BATTERIE.

Le fil positif de batterie a été délibérément laissé débranché pour le transport. Pour faire fonctionner l'unité, brancher ce fil à la borne située sur le démarreur du moteur comme indiqué. Ne pas trop serrer. Faire glisser la protection en caoutchouc fixée sur la borne du démarreur. Voir le Schéma 4.

Schéma 4 – Branchement de la batterie



2.2 HOROMÈTRE - PAS DE RÉINITIALISER

L'horomètre relève les heures de fonctionnement pour la maintenance programmée :

Il y aura une durée de coupure dans le message « CHG OIL » qui clignote avec le temps écoulé en heures et en dixièmes après les 30 premières heures de fonctionnement.

Ce message commencera à clignoter à la 29ème heure et se désactivera à la 31ème heure, laissant une marge de deux heures pour effectuer l'entretien.

Un message ultérieur « CHG OIL » s'affichera toutes les 100 heures. Le message clignotera une heure avant et une heure après chaque intervalle de 100 heures, laissant à nouveau une marge de deux heures pour effectuer l'entretien.

Toutes les 200 heures, l'icône « SVC » située en bas à gauche de l'écran clignotera. Le message clignotera une heure avant et une heure après chaque intervalle de 200 heures, laissant une marge de deux heures pour effectuer l'entretien.

Lorsque l'horomètre est en mode Flash Alert (Alerte clignotante), le message de maintenance s'affichera toujours en alternance avec le temps écoulé en heures et en dixièmes. Les heures feront clignoter quatre heures, puis s'afficheront en alternance avec le message de maintenance quatre fois jusqu'à ce que la réinitialisation de l'horomètre.

- 100 heures - CHG OIL — Intervalle de changement d'huile (Toutes les 100 heures)
- 200 heures - SVC — Intervalle du filtre à air (Toutes les 200 heures)

2.3 HOROMÈTRE - AVEC REMISE À ZÉRO

L'horomètre relève les heures de fonctionnement pour la maintenance programmée (voir le tableau) (Figure 9).

Fonctionnement : Appuyer et relâcher le bouton de réinitialisation pour alterner entre les écrans. L'horloge va en arrière à partir de l'intervalle établi comme illustré dans le tableau.

Lorsque le compteur atteint 5 heures, le texte « CHG OIL » (ou « SVC AIR FILTER » ou « CHG PLUG ») va clignoter sans arrêt pendant deux minutes. Après ce moment, le compteur va afficher le nombre total d'heures de l'unité (pendant 2 minutes). Ce cycle va se répéter pendant les 5 heures.

Lorsque l'intervalle entre les service atteint l'heure zéro, le texte « NOW » remplace les heures restantes.

Par exemple, pour une nouvelle génératrice, le message sera « CHG OIL » puis clignotera « dans 30 ». Cela veut dire que dans 30 heures, on devra changer l'huile. Appuyer le bouton à quelques reprises va ramener le compteur à l'écran qui montre le nombre total d'heures de fonctionnement.

Réinitialiser : Changer à l'alerte que vous souhaitez pour réinitialiser puis tenir le bouton pendant 9 secondes. Les heures de maintenance sont réinitialisées lorsque l'afficheur montre « 0000.0 ».

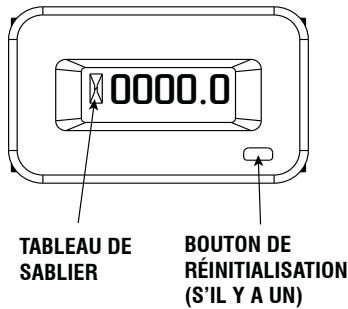
Remarque :

Le graphique de sablier clignotera et s'éteindra lorsque le moteur est en marche. Ceci signifie que le compteur surveille les heures de fonctionnement.

Tableau de l'horomètre (avec remise à zéro)

Message	Fréquence de message	Intervalle	Durée de message
CHG OIL (changer l'huile)	Première période d'initiation	Premières 30 heures	ON/OFF (marche/arrêt) pour 2 minutes durant une période de 5 heures.
CHG OIL (changer l'huile)	Réapparition	100 heures	
SVC AIR FILTER (entretenir le filtre à air)	Réapparition	200 heures	
CHG PLUG (changer la bougie)	Réapparition	200 heures	

Figure 9 - Horomètre



2.4 CORDONS ET CONNECTEURS

2.4.1 PRISE DOUBLE À DDFT, 120 V C.A., 20 A

Il s'agit d'une prise de 120 volts protégée contre la surcharge par un disjoncteur de type « pousser pour réenclencher » de 20 A (Schéma 6). Utiliser chaque prise pour alimenter les charges électriques monophasées de 120 V c.a., 60 Hz nécessitant 2 400 watts (2,4 kW) ou 20 A de courant. Utiliser uniquement des cordons à trois fils avec mise à la terre, bien isolés, de haute qualité conçus pour 125 Volts à 20 A (ou plus).

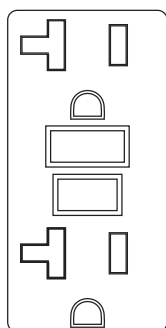
Garder les cordons prolongateurs aussi courts que possible, de préférence à une longueur inférieure à 15 pieds, afin d'empêcher une chute de tension et une surchauffe potentielle des câbles.

2.4.2 PRISE 120/240 V C.A., 30 A

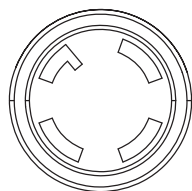
Utiliser une fiche NEMA L14-30 avec cette prise (tourner pour verrouiller/ déverrouiller). Brancher un cordon à 4 fils avec mise à la terre adapté à la prise et à la charge souhaitée. Le cordon doit être conçu pour 250 V c.a. à 30 A (ou plus) (Schéma 6).

Utiliser cette prise pour faire fonctionner les charges monophasées de 120 V c.a., 60 Hz nécessitant 3 600 watts (3,6 kW) d'alimentation à 30 A ou des charges monophasées de 240 V c.a., 60 Hz nécessitant 6 500 watts à 8 000 watts d'alimentation, selon le modèle. La prise est protégée par un disjoncteur de 30 A.

Schéma 6 – Prises du générateur



PRISE DDFT
120 VCA, 20 A



PRISE 120/240 VCA, 30 A

2.5 UTILISATION DU GÉNÉRATEUR

Voir la section "Démarrage du moteur" pour savoir comment démarrer et d'arrêter en toute sécurité le générateur et comment connecter et déconnecter les charges. Si des problèmes se présentent lors du fonctionnement de la génératrice, merci d'appeler la ligne d'assistance pour les génératrices au 1-888-436-3722.

⚠ DANGER!

⚠ **Ne jamais faire fonctionner dans un espace clos ou à l'intérieur. NE JAMAIS faire fonctionner dans un espace clos, dans un véhicule, ou à l'intérieur même si les portes et les fenêtres sont ouvertes ! Utiliser UNIQUEMENT à l'extérieur et loin des fenêtres, portes ouvertes, ventilations, et dans un espace dans lequel le gaz d'échappement ne s'accumulera pas de façon mortelle.**

⚠ **Les fumées d'échappement du moteur contiennent du monoxyde de carbone, un gaz toxique invisible et inodore. Ce gaz toxique, s'il est respiré en concentrations suffisantes, peut entraîner une perte de conscience ou même la mort.**

⚠ **Un débit approprié, non obstrué d'air de refroidissement et de ventilation est important pour corriger le fonctionnement du générateur. Ne pas modifier l'installation ou ne pas laisser même un blocage partiel de l'alimentation de ventilation, étant donné que cela peut sérieusement affecter le fonctionnement sûr du générateur. Il FAUT faire fonctionner le générateur à l'extérieur.**

⚠ **Ce système d'échappement doit être correctement entretenu. Ne rien faire qui pourrait rendre le système d'échappement dangereux ou non conforme aux codes locaux et/ou normes locales.**

⚠ **Toujours utiliser un détecteur d'oxyde de carbone à alimentation par batterie à l'intérieur, conformément aux instructions du fabricant.**

⚠ DANGER

L'utilisation d'une génératrice à l'intérieur PEUT VOUS TUER EN QUELQUES MINUTES.

Les génératrices rejettent du monoxyde de carbone. Il s'agit d'un gaz toxique invisible et inodore.



NE JAMAIS utiliser la génératrice à l'intérieur d'une résidence ou d'un garage **MÊME** si les portes et les fenêtres sont ouvertes.



Utiliser uniquement à **L'EXTÉRIEUR** et loin des fenêtres, portes et événements.

Fonctionnement

2.5.1 MISE À LA TERRE DE LA GÉNÉRATRICE LORSQU'UTILISÉE COMME PORTABLE

Cette génératrice a une mise à la terre de l'équipement qui branche les composants de la structure de la génératrice aux bornes de terre dans les prises de sortie CA (voir NEC 250.34 (A) pour l'explication). Ceci permet à la génératrice d'être utilisée comme portable sans mettre à la terre le bâti de la génératrice tel qu'établie dans la norme NEC 250.34.

Exigences spéciales

Des réglementations, codes locaux ou ordonnances fédéraux ou au niveau de l'État en matière d'Occupational Safety and Health Administration (OSHA) (Gestion de la sécurité et la santé au travail) peuvent s'appliquer à l'utilisation prévue du générateur.

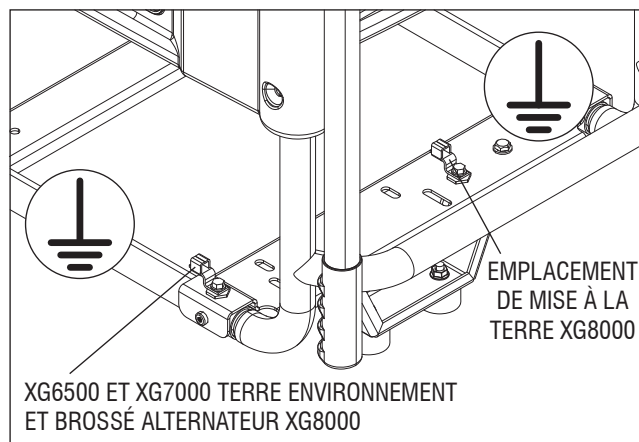
Veuillez consulter un électricien qualifié, un inspecteur électrique ou une agence locale compétente :

- Dans certaines régions, il faut enregistrer les générateurs auprès des services publics locaux.
- Si le générateur est utilisé sur un chantier de construction, il faudra se conformer à d'autres réglementations.

2.5.2 BRANCHER LA GÉNÉRATRICE AU SYSTÈME ÉLECTRIQUE D'UN BÂTIMENT

Il est recommandé d'utiliser un commutateur de transfert manuel lorsque le générateur est connecté directement au système électrique d'un bâtiment. Les connexions d'un générateur portable au système électrique d'un bâtiment doivent être faites par un électricien qualifié, et ce dans le respect rigoureux de tous les codes de l'électricité et de toutes les lois à l'échelle locale et nationale.

Schéma 7 – Emplacement de mise à la terre du générateur



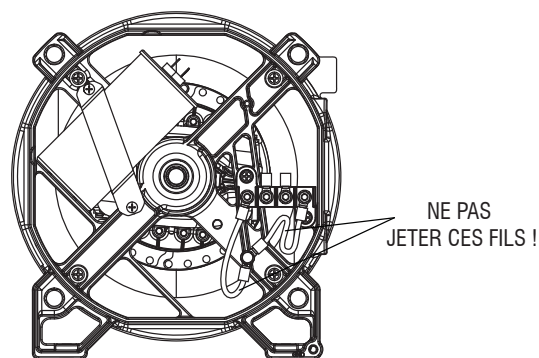
2.5.3 MISE À LA TERRE DU CONDUCTEUR NEUTRE AU CHÂSSIS

Lors de l'entretien de l'alternateur, **NE PAS** jeter les fils blancs de liaison entre le bloc de jonction et l'alternateur de masse, situés au niveau du boîtier de roulement arrière. Toujours s'assurer que les fils sont correctement reliés avant l'utilisation du générateur après que l'entretien de l'alternateur soit effectué (Schéma 8).

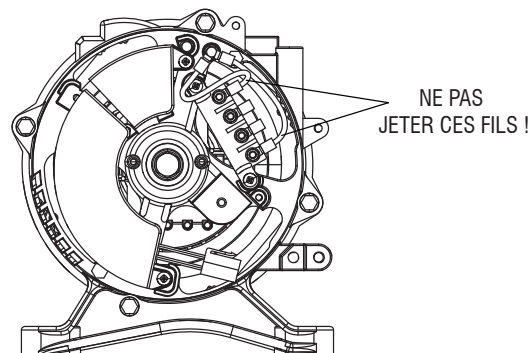
⚠ DANGER !

⚠ Ne pas rebrancher ces fils peut présenter un risque de choc potentiel pendant le fonctionnement du générateur !

Schéma 8 – Mise à la terre du conducteur neutre au châssis



NEUTRE À LA TERRE DE FRAME
XG7000 ET 8000 BRUSHLESS ALTERNATEUR SEULEMENT



NEUTRE À FRAME GROUND XG6500,
7000 ET 8000 BROSSÉ ALTERNATEUR

2.5.4 BRANCHEMENT DES CHARGES ÉLECTRIQUES

NE PAS brancher des charges de 240 V à des prises de 120 V.

NE PAS brancher des charges triphasées au générateur.

NE PAS brancher des charges de 50 Hz au générateur.

- Laisser le moteur se stabiliser et chauffer pendant quelques minutes après le démarrage.
- Brancher et mettre sous tension les charges électriques monophasées souhaitées de 120 ou 240 V c.a., 60 Hz.
- Ajouter les watts (ou ampères) nominaux de toutes les charges à brancher en même temps. Ce total ne doit pas dépasser (a) la capacité nominale de wattage/ampérage du générateur ou (b) la valeur nominale du disjoncteur de la prise fournissant l'alimentation. Voir la section « Ne pas surcharger le générateur ».

2.6 NE PAS SURCHARGER LE GÉNÉRATEUR

Surcharger un générateur au-dessus de sa capacité nominale de wattage peut endommager le générateur et les dispositifs électriques branchés. Respecter les consignes suivantes pour empêcher la surcharge de l'unité :

- Calculer le wattage total de tous les dispositifs électriques à brancher en même temps. Ce total ne doit PAS dépasser la capacité de wattage du générateur.
 - Le wattage nominal des lumières peut être indiqué sur les ampoules. Le wattage nominal des outils, des appareils et des moteurs se trouve généralement sur une étiquette ou un autocollant apposé(e) sur le dispositif.
 - Si l'appareil, l'outil ou le moteur n'indique pas le wattage, multiplier la valeur nominale des volts fois la valeur nominale des ampères afin de déterminer les watts (volts x ampères = watts).
 - Certains moteurs électriques, tels que ceux à induction, nécessitent environ trois fois plus de watts d'alimentation pour le démarrage que pour le fonctionnement. Cette surtension d'alimentation dure seulement quelques secondes lors du démarrage des moteurs en question. S'assurer de laisser un wattage de démarrage élevé lors du choix des dispositifs électriques pour brancher le générateur :
1. Calculer les watts nécessaires pour démarrer le moteur le plus grand.
 2. Ajouter à ce chiffre les watts de fonctionnement de toutes les autres charges branchées.

Le Guide de référence de wattage sert à déterminer combien d'éléments le générateur peut faire fonctionner en même temps.

IMPORTANT : Ne pas surcharger le générateur. Aussi, ne pas surcharger les prises individuelles du panneau. Ces prises sont protégées contre la surcharge avec des disjoncteurs de type « pousser pour réenclencher ». Lire attentivement la section « Ne pas surcharger le générateur ».

REMARQUE :

Tous les chiffres sont arrondis. Voir les étiquettes sur l'unité pour connaître les exigences de wattage.

2.7 GUIDE DE RÉFÉRENCE DE WATTAGE

Dispositif	Watts de fonctionnement
*Climatiseur (12 000 Btu)	1 700
*Climatiseur (24 000 Btu)	3 800
*Climatiseur (40 000 Btu)	6 000
Chargeur de batterie (20 A)	500
Ponceuse à bande (3 po.)	1 000
Scie à chaîne	1 200
Scie circulaire (6,5 po.)	800 à 1 000
*Sèche-linge (électrique)	5 750
*Sèche-linge (à gaz)	700
*Machine à laver	1 150
Cafetière	1 750
*Compresseur (1 HP)	2 000
*Compresseur (0,75 HP)	1 800
*Compresseur (0,5 HP)	1 400
Fer à friser	700
*Déshumidificateur	650
Ponceuse à disque (9 po.)	1 200
Coupe-bordures	500
Couverture chauffante électrique	400
Cloueuse électrique	1 200
Cuisinière électrique (par élément)	1 500
Poêle électrique	1 250

*Freezer	700
*Ventilateur de chaudière (0,6 HP)	875
*Ouvre-porte de garage	500 à 750
Sèche-cheveux	1 200
Perceuse à main	250 à 1 100
Taille-haie	450
Clé à chocs	500
Fer	1 200
*Pompe à jet	800
Tondeuse à gazon	1 200
Ampoule	100
Four à micro-ondes	700 à 1 000
*Réfrigérateur de lait	1 100
Brûleur à mazout de chaudière	300
Radiateur à mazout (140 000 Btu)	400
Radiateur à mazout (85 000 Btu)	225
Radiateur à mazout (30 000 Btu)	150
*Pistolet à peinture, sans air (0,3 HP)	600
Pistolet à peinture, sans air (portable)	150
Radio	50 à 200
*Réfrigérateur	700
Cocotte mijoteuse	200
*Pompe immergée (1,5 HP)	2 800
*Pompe immergée (1 HP)	2 000
*Pompe immergée (0,5 HP)	1 500
*Pompe de vidange	800 à 1 050
*Scie circulaire à table (10 po.)	1 750 à 2 000
Télévision	200 à 500
Grille-pain	1 000 à 1 650
Coupe-mauvaises herbes	500
* Laisser 3 fois les watts indiqués pour le démarrage de ces dispositifs.	

2.8 AVANT LE DÉMARRAGE DU GÉNÉRATEUR

Avant de faire fonctionner le générateur, de l'huile de moteur et de l'essence devront être ajoutés, de la façon suivante :

2.8.1 AJOUT DE L'HUILE DE MOTEUR

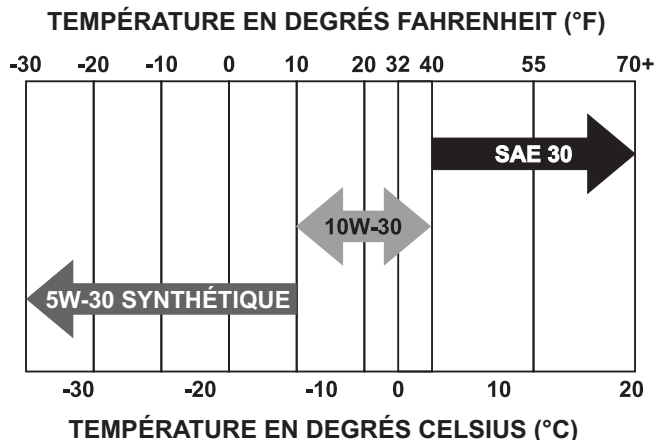
Toute huile doit respecter la catégorie de service minimale SJ, SL ou mieux de l'American Petroleum Institute (API) (Institut américain du pétrole). N'utiliser aucun additif spécial. Sélectionner le degré de viscosité d'huile selon la température d'exploitation (se reporter également au tableau).

- Au-dessus de 40 °F, utiliser le SAE 30
- En dessous de 40 °F et jusqu'à 10 °F, utiliser le 10W-30
- En dessous de 10 °F, utiliser le 5W-30 synthétique

AVERTISSEMENT !

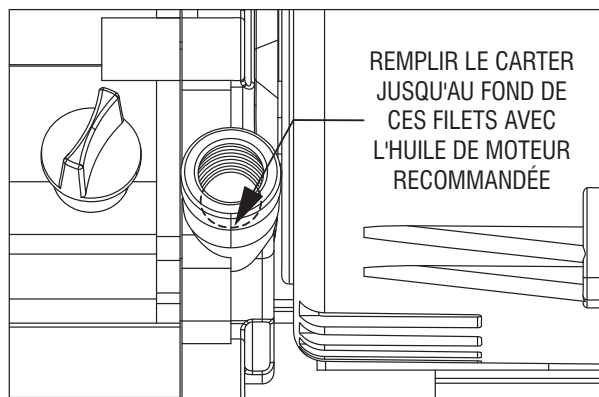
 **Toute tentative de faire tourner ou de démarrer le moteur avant qu'il ait été correctement entretenu avec l'huile recommandée peut entraîner une panne du moteur.**

Fonctionnement



- Placer la génératrice sur une surface à niveau (ne pas dépasser 15 ° dans aucune direction).
- Nettoyer l'espace autour de l'orifice de remplissage d'huile et retirer le bouchon.
- Remplir lentement le moteur avec de l'huile par l'orifice de remplissage d'huile jusqu'à ce qu'elle atteigne la marque de remplissage. Interrompre régulièrement le remplissage pour vérifier le niveau d'huile. (L'huile de moteur est pleine lorsque le niveau se situe au niveau des filets de l'orifice de remplissage d'huile, voir schéma 9.)
- Mettre le bouchon sur l'orifice de remplissage de l'huile et le serrer fermement au doigt.
- Vérifier le niveau d'huile de moteur avant le démarrage à chaque fois par la suite.

Schéma 9 – Niveau d'huile



2.8.2 AJOUT DE L'ESSENCE

⚠ DANGER !

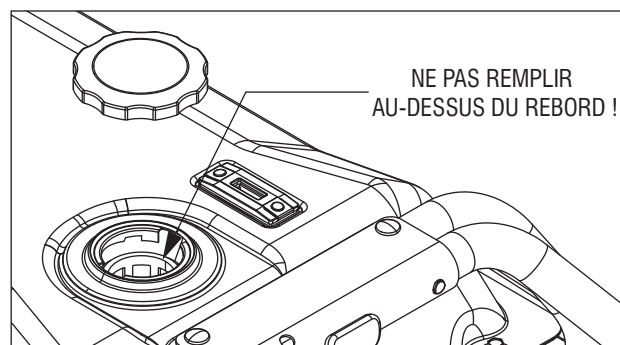
⚠ Ne pas allumer une cigarette ni fumer lors du remplissage du réservoir d'essence.

⚠ Ne jamais remplir le réservoir d'essence à l'intérieur. Ne jamais remplir le réservoir d'essence lorsque le moteur fonctionne ou est chaud. Éviter de renverser de l'essence sur un moteur chaud. Laisser le moteur complètement refroidir avant d'ajouter du carburant.

⚠ Ne pas trop remplir le réservoir d'essence. Toujours laisser de la place pour l'expansion du carburant. En cas de suremplissage du réservoir, le carburant peut déborder sur un moteur chaud et entraîner un INCENDIE ou une EXPLOSION. Nettoyer immédiatement toute éclaboussure de carburant.

- Utiliser de l'essence SANS PLOMB régulière avec le moteur du générateur. Ne pas utiliser de supercarburant. Ne pas mélanger l'huile avec l'essence.
- Ne pas d'utiliser d'essence avec plus de 10 % d'alcool telle que l'essence E85 ou le méthanol.
- Nettoyer l'espace autour du bouchon de l'orifice de remplissage d'essence, retirer le bouchon.
- Ajouter lentement de l'essence régulière sans plomb dans le réservoir d'essence. Remplir jusqu'au fond du filtre à tamis. **Faire attention de ne pas trop remplir** (Schéma 10).
- Mettre le bouchon du réservoir d'essence et nettoyer toute éclaboussure d'essence.

Schéma 10 – Niveau de remplissage de carburant



IMPORTANT : Il est important d'empêcher la formation de dépôts de gomme dans les pièces du circuit de carburant, telles que le carburateur, le tuyau pour combustible ou le réservoir pendant le stockage. L'expérience montre également que les carburants à base d'alcool (appelés gazohol, éthanol ou méthanol) peuvent absorber l'humidité, ce qui entraîne une séparation et la formation d'acides pendant le stockage. Un gaz acide peut endommager le circuit de carburant d'un moteur pendant le stockage de celui-ci. Afin d'éviter tout problème avec le moteur, le circuit de carburant doit être vidé avant le stockage du moteur si celui-ci est d'au moins 30 jours. Voir la section « Stockage ». Ne jamais utiliser de produit nettoyant pour moteur ou carburateur dans le réservoir d'essence étant donné que cela pourrait causer des dommages permanents.

2.9 DÉMARRAGE DU MOTEUR

Ne jamais démarrer ou arrêter le moteur avec les dispositifs électriques branchés dans les prises ET les dispositifs sous tension.

- Débrancher toutes les charges électriques des prises de l'unité avant de démarrer le moteur.
- S'assurer que l'unité est dans une position de niveau (ne pas dépasser 15 ° dans aucune direction).
- Ouvrir la soupape d'arrêt (Schéma 11).
- Mettre le bouton CHOKE (Étrangleur) du moteur à l'extérieur sur la position « Full Choke » (Étrangleur plein) (Schéma 12).

Schéma 11 – Soupape d'arrêt

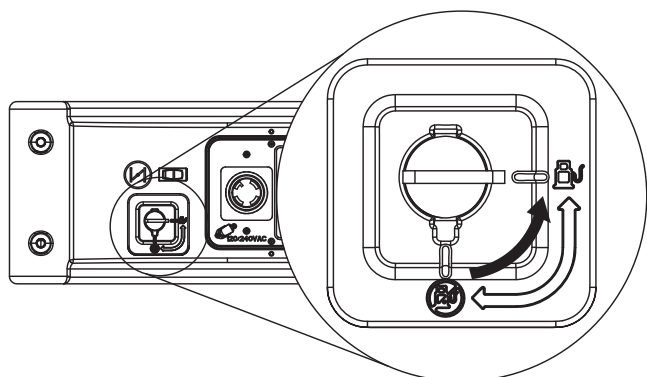
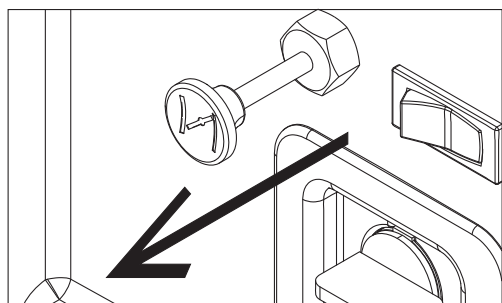


Schéma 12 – Fonctionnement de l'étrangleur



2.9.1 DÉMARRAGE (À RAPPEL) MANUEL

- Pour démarrer le générateur, mettre l'interrupteur on/off (Marche / Arrêt) sur la position ON (Marche).
- Attraper fermement la poignée de rappel et tirer jusqu'à ce qu'une résistance se fasse sentir. Remonter rapidement et démarrer le moteur.
- Lorsque le moteur démarre, mettre le bouton Choke (Étrangleur) sur la position « 1/2 Choke » (Étrangleur à moitié) jusqu'à ce que le moteur fonctionne doucement et ensuite sur la position « Run » (Marche). Si le moteur vibre, remettre le bouton Choke (Étrangleur) sur la position « 1/2 Choke » (Étrangleur à moitié) jusqu'à ce que le moteur fonctionne doucement et ensuite sur la position « Run » (Marche).

REMARQUE :

Si le moteur chauffe, mais ne continue pas à fonctionner, mettre le levier de l'étrangleur sur « Full Choke » (Étrangleur plein) et répéter les instructions de démarrage.

2.9.2 DÉMARRAGE ÉLECTRIQUE (XG7000E ET XG8000E)

- Pour démarrer le moteur, appuyer et maintenir enfoncé l'interrupteur Start/Run/Stop (Démarrage/Marche/Arrêt) sur la position « Start » (Démarrage). Le moteur tournera et commencera à démarrer. Lorsque le moteur démarre, relâcher l'interrupteur sur la position Run (Marche).
- Lorsque le moteur démarre, mettre le bouton Choke (Étrangleur) sur la position « 1/2 Choke » (Étrangleur à moitié) jusqu'à ce que le moteur fonctionne doucement et ensuite sur la position « Run » (Marche). Si le moteur vibre, remettre le bouton Choke (Étrangleur) sur la position « 1/2 Choke » (Étrangleur à moitié) jusqu'à ce que le moteur fonctionne doucement et ensuite sur la position « Run » (Marche).
- Ce générateur est également équipé d'un lanceur à rappel manuel qui peut être utilisé en cas de déchargement de la batterie.

REMARQUE :

L'interrupteur doit être à la position RUN (Marche). Utiliser un des tableaux des prises avec le chargeur de batterie pour charger la batterie lorsque la génératrice est en fonctionnement.

2.10 ARRÊT DU MOTEUR

- Arrêter toutes les charges, puis débrancher les charges électriques des prises du panneau du générateur. Ne jamais démarrer ou arrêter le moteur avec les dispositifs électriques branchés et sous tension.
- Laisser le moteur fonctionner à circuit ouvert pendant plusieurs minutes pour stabiliser les températures internes du moteur et du générateur.
- Mettre l'interrupteur Start/Run/Stop (Démarrage/Marche/Arrêt) ou On/Off (Marche/arrêt) sur la position « Off » (Arrêt).
- Fermer la vanne de combustible.

2.11 SYSTÈME D'ARRÊT DE BASSE PRESSION D'HUILE

Le moteur est équipé d'un détecteur de basse pression d'huile qui arrête le moteur automatiquement lorsque la pression d'huile chute en dessous de 5 livres par pouce carré. Un temps mort intégré dans le système d'arrêt de basse pression d'huile permet à la pression d'huile de se reconstituer pendant le démarrage. Le temps mort permet au moteur de fonctionner pendant environ 10 secondes avant de détecter la pression d'huile. Si le moteur s'arrête tout seul et que le réservoir d'essence a assez d'essence, vérifier le niveau d'huile du moteur.

2.11.1 REDÉMARRAGE

Si l'on essaye de redémarrer le moteur dans les 10 secondes qui suivent son arrêt, il est possible que le moteur ne démarre PAS. Le système a besoin de 5 à 10 secondes pour être réinitialisé.

Si le moteur est redémarré après cet arrêt et que la pression d'huile basse n'a pas été corrigée, le moteur fonctionnera pendant environ 10 secondes comme décrit ci-dessus et s'arrête ensuite.

2.12 CHARGEMENT DE LA BATTERIE (XG7000E ET XG8000E)

⚠ DANGER !

⚠ Ne pas produire de fumée, flammes nues, étincelles ou autre source de chaleur à proximité de la batterie. Porter des lunettes de protection, un tablier en caoutchouc et des gants en caoutchouc lors du travail autour de la batterie. Le fluide d'électrolyte de la batterie est une solution d'acide sulfurique extrêmement corrosive qui peut causer des brûlures graves. En cas d'éclaboussure, rincer immédiatement la zone à l'eau claire.

⚠ Les batteries rechargeables émettent un gaz hydrogène explosif lors du rechargement. Un mélange explosif restera autour de la batterie longtemps après son chargement. La plus petite étincelle peut enflammer l'hydrogène et causer une explosion. Cette explosion peut faire voler en éclats la batterie et causer la cécité ou d'autres blessures graves.

Utiliser la prise du chargeur de batterie afin de garder la batterie chargée et prête à l'emploi. Le chargement de la batterie doit être effectué dans un endroit sec.

1. Brancher le chargeur dans la prise jack « Entrée du chargeur de batterie », située sur le panneau de commande. Brancher l'extrémité de la prise de courant murale du chargeur de batterie dans une prise murale c.a. de 120 volts.
2. Débrancher le chargeur de batterie de la prise murale et de la prise jack du panneau de commande lorsque le générateur va être utilisé.

REMARQUE :

Ne pas utiliser le chargeur de batterie pendant plus de 48 heures consécutives.

3.1 PROGRAMME DE MAINTENANCE

Suivre les intervalles du calendrier. Un entretien plus fréquent est nécessaire lors du fonctionnement dans les conditions défavorables indiquées ci-dessous.

Vérifier le niveau d'huile	Lors de chaque utilisation
Changer l'huile et le filtre à huile ‡	* À chaque saison/ toutes les 100 heures
Nettoyage de l'écran pare-étincelles	** À chaque saison/ toutes les 100 heures
Entretien du filtre à air	** À chaque saison/ toutes les 200 heures
Remplacer la bougie d'allumage	À chaque saison

‡ Changer l'huile après les 30 premières heures de fonctionnement puis à chaque saison.

* Changer l'huile et le filtre à huile tous les mois lors du fonctionnement sous une charge lourde ou à des températures élevées.

** Nettoyer plus souvent dans des conditions de fonctionnement sales. Remplacer les pièces du filtre à air si elles sont sales.

3.2 CARACTÉRISTIQUES TECHNIQUES DES PRODUITS

3.2.1 CARACTÉRISTIQUES TECHNIQUES DU GÉNÉRATEUR

Modèle n°.....	005800, 005747
Puissance nominale max.	8 kW**
Puissance de surtension.....	10 kW
Tension c.a. nominale.....	120/240
Charge nominale c.a. max.	
Courant à 240 V.....	33,3 A**
Courant à 120 V.....	66,7 A**
Fréquence nominale.....	60 Hz à 3 600 RPM
Phase.....	Monophasée
Tension c.c. nominale.....	12 volts
Type de batterie.....	10 AH, 12 VCC

Modèle n°.....	005797, 005798
Puissance nominale max.	7 kW**
Puissance de surtension.....	8,75 kW
Tension c.a. nominale.....	120/240
Charge nominale c.a. max.	
Courant à 240 V.....	29,2 A**
Courant à 120 V.....	58,3 A**
Fréquence nominale.....	60 Hz à 3 600 RPM
Phase.....	Monophasée
Tension c.c. nominale.....	12 volts
Type de batterie.....	10 AH, 12 VCC

Modèle n°.....	005796
Puissance nominale max.	6,5 kW**
Puissance de surtension.....	8,13 kW
Tension c.a. nominale.....	120/240
Charge nominale c.a. max.	
Courant à 240 V.....	27,1 A**
Courant à 120 V.....	54,2 A**
Fréquence nominale.....	60 Hz à 3 600 RPM
Phase.....	Monophasée
Tension c.c. nominale.....	12 volts

** Le wattage et le courant maximum sont soumis à, et limités par, ces facteurs tels que le contenu en Btu de carburant, la température ambiante, l'altitude, l'état du moteur, etc. La puissance maximale diminue d'environ 3,5 % pour chaque tranche de 1 000 pieds au-dessus du niveau de la mer ; et diminuera également d'environ 1 % pour chaque tranche de 6 °C (10 °F) au-dessus de 16 °C (60 °F) de température ambiante.

3.2.2 CARACTÉRISTIQUES TECHNIQUES DU MOTEUR

Cheval-vapeur nominal à 3 600 RPM.....	14,5
Déplacement.....	410 cc
Type de bougie d'allumage.....	Champion RC14YC ou équivalent
N° de pièce de bougie d'allumage.....	0E7585
Écartement de bougie d'allumage.....	0,030 pouces ou (0,76 mm)
Capacité d'essence.....	9 gallons U.S.
Type d'huile....	Voir tableau dans la section « Ajout de l'huile de moteur »
Capacité d'huile.....	avec changement de filtre = 1,5 Qts. sans changement de filtre = 1,2 Qts.

N° de pièce d'huile de filtre.....070185B

Temps d'exécution/consommation d'essence - 1/2 charge ... 10 heures / 0,73 gallons par heure

Certifié émission de catégorie II

3.2.3 INFORMATIONS RELATIVES AUX ÉMISSIONS

L'Agence pour la protection de l'environnement (EPA) exige que ce générateur soit conforme aux normes en matière d'émission d'échappement et évaporante. Le générateur est certifié comme respectant tous les niveaux d'émission d'échappement EPA applicables. Le système de contrôle des émissions de ce générateur est composé des éléments suivants :

- Système de carburant
 - ~ Carburateur
 - ~ Bouchon / réservoir d'essence
 - ~ Tuyaux de carburant
 - ~ Conduites d'air évaporantes
- Système d'induction d'air
 - ~ Pipe / collecteur d'admission
 - ~ Filtre à air
- Système d'allumage
 - ~ Bougie d'allumage
 - ~ Module d'allumage
- Système d'échappement
 - ~ Collecteur d'échappement
 - ~ Pot d'échappement
 - Système d'échappement
 - ~ Collecteur d'échappement

Il est important d'effectuer l'entretien spécifié dans le Programme de maintenance afin de s'assurer que le générateur est conforme aux normes applicables en matière d'émission pendant sa durée de vie. En outre, la maintenance importante pour les émissions doit être effectuée comme prévu afin que la garantie des émissions soit valide. La maintenance importante pour les émissions consiste en l'entretien du filtre à air et des bougies d'allumage conformément au Programme de maintenance. L'entretien et les réparations peuvent être effectués par tout(e) personne apte ou atelier de réparation.

3.3 RECOMMANDATIONS GÉNÉRALES

La garantie du générateur ne couvre pas les éléments qui ont été soumis à un abus ou une négligence de l'opérateur. Afin de recevoir le montant total de la garantie, l'opérateur doit entretenir le générateur de la façon indiquée dans ce manuel.

Certains réglages doivent être effectués régulièrement pour entretenir correctement le générateur.

Tous les réglages de la section Maintenance de ce manuel doivent être effectués au moins une fois par saison. Respecter les exigences dans le tableau de « Programme de maintenance ».

REMARQUE :

Une fois par an, remplacer la bougie d'allumage et le filtre à air. Une nouvelle bougie d'allumage et un filtre à air propre garantissent un bon mélange carburé et aide le moteur à mieux fonctionner et à durer plus longtemps.

3.3.1 MAINTENANCE DU GÉNÉRATEUR

La maintenance du générateur consiste à garder l'unité propre et sèche. Faire fonctionner et stocker l'unité dans un environnement sec et propre où il ne sera pas exposé à trop de poussières, de saletés, d'humidité ou de vapeurs corrosives. Les fentes de refroidissement du générateur ne doivent pas être obstruées par la neige, les feuilles ou tout autre corps étranger.

Vérifier régulièrement que le générateur est propre et nettoyer la poussière, les saletés, l'huile, l'eau ou les autres corps étrangers qui sont visibles sur sa surface extérieure.

⚠ ATTENTION !

⚠ Ne jamais insérer d'objet ou d'outil dans les fentes de refroidissement, même si le moteur ne fonctionne pas.

REMARQUE :

NE PAS utiliser un tuyau d'arrosage pour nettoyer le générateur. L'eau peut entrer dans le système de carburant du moteur et causer des problèmes. En outre, si l'eau entre dans le générateur par les fentes de refroidissement, de l'eau restera dans les vides et les crevasses du bobinage d'isolement du rotor et du stator. L'accumulation d'eau et de saletés sur les bobinages internes du générateur diminuera potentiellement la résistance d'isolement de ces bobinages.

3.3.2 NETTOYAGE DU GÉNÉRATEUR

- Utiliser un chiffon humide pour le nettoyage des surfaces externes.
- Il est possible d'utiliser une brosse douce en poils pour décoller les agglutinements de saletés, d'huile, etc.
- Un aspirateur pourra être utilisé pour récupérer les saletés et les débris.
- Un air projeté avec une faible pression (inférieur à 25 livres par pouce carré) pourra être utilisé pour souffler la saleté. Inspecter les fentes de refroidissement et les orifices du générateur. Ces orifices doivent être propres et non obstrués.

3.3.3 MAINTENANCE DU MOTEUR

⚠ ATTENTION !

⚠ Toujours débrancher le câble négatif de la batterie en cas de travail sur le générateur. Toujours débrancher les fils de bougie des bougies d'allumage et les tenir éloignés de celles-ci.

3.3.4 VÉRIFICATION DU NIVEAU D'HUILE

Se reporter à la section « AVANT LE DÉMARRAGE DU GÉNÉRATEUR » pour plus d'informations sur la vérification du niveau d'huile. Le niveau d'huile doit être vérifié avant chaque utilisation, ou au minimum toutes les huit heures de fonctionnement. Il est nécessaire de conserver un certain niveau d'huile.

3.3.5 CHANGEMENT DE L'HUILE ET DU FILTRE À HUILE

Changer l'huile et le filtre après les 30 premières heures de fonctionnement. Changer l'huile toutes les 100 heures ou à chaque saison par la suite. Changer l'huile plus souvent en cas d'utilisation de cette unité dans un environnement sale ou poussiéreux, ou dans des températures très élevées.

⚠ DANGER !

⚠ De l'huile chaude peut entraîner des brûlures. Laisser le moteur refroidir avant de vidanger l'huile. Éviter un contact prolongé ou répété de la peau avec de l'huile usagée. Laver minutieusement les zones exposées avec du savon.

Respecter les instructions suivantes pour changer l'huile :

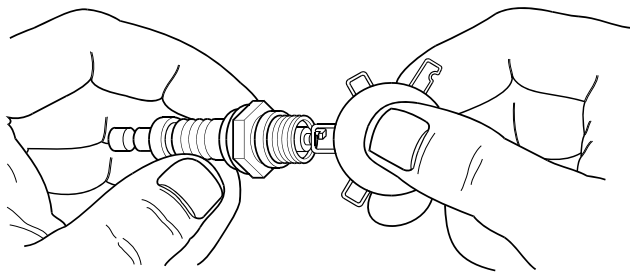
- Nettoyer la zone autour du bouchon de vidange d'huile.
- Retirer le bouchon de vidange d'huile du tuyau et le bouchon pour le remplissage d'huile afin de vidanger toute l'huile dans un récipient adapté.
- Lorsque l'huile est totalement vidangée, revisser le bouchon de vidange d'huile et le resserrer fermement.
- Placer un récipient adapté en dessous du filtre à huile et tourner ce dernier dans le sens des aiguilles d'une montre afin de le retirer. Éliminer l'huile conformément aux réglementations locales.
- Enduire le joint du nouveau filtre avec de l'huile de moteur propre. Tourner le filtre dans le sens des aiguilles d'une montre jusqu'à ce que le joint entre légèrement en contact avec l'adaptateur de filtre. Puis serrer de 3/4 de tour supplémentaire.
- Remplir le carter d'huile avec l'huile recommandée et reboucher l'orifice de remplissage d'huile. (voir la section « Avant le démarrage du générateur » pour les recommandations sur l'huile à utiliser).
- Nettoyer toute trace d'huile renversée.
- Éliminer l'huile usagée dans un centre de collecte approprié.

3.3.6 REMPLACEMENT DES BOUGIES D'ALLUMAGE

Utiliser des bougies d'allumage Champion RC14YC ou équivalent. **Remplacer les bougies une fois par an.** Cela permettra un démarrage plus facile et un meilleur fonctionnement du moteur.

1. Arrêter le moteur et débrancher le fil de bougie de la bougie d'allumage.
2. Afin d'accéder, retirer les quatre (4) vis à tête creuse et retirer le panneau latéral.
3. Nettoyer la zone autour de la bougie d'allumage et la retirer de la culasse.
4. Définir l'écartement de la bougie d'allumage à 0,76 mm (0,030 po.). Installer la bougie d'allumage correctement écartée dans la culasse (Schéma 13).
5. Pousser fermement la protection sur la bougie d'allumage et installer le côté latéral.

Schéma 13 – Écartement de la bougie d'allumage



3.4 ENTRETIEN DU FILTRE À AIR

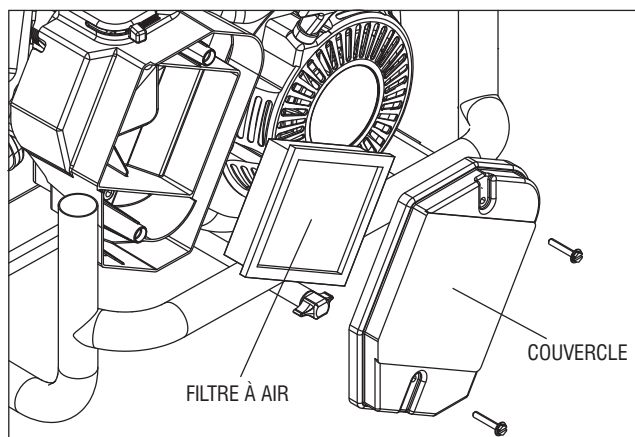
Le moteur ne fonctionnera pas correctement et pourra être endommagé en cas d'utilisation d'un filtre à air sale. Nettoyer ou remplacer le papier du filtre à air toutes les 200 heures ou une fois par an (Schéma 15). Il sera nécessaire de le nettoyer ou de le remplacer plus souvent en cas de fonctionnement dans des conditions de saleté. Pour nettoyer ou remplacer le papier du filtre à air :

- Retirer le couvercle du filtre à air et retirer le filtre en papier (Schéma 14).
- Nettoyer le filtre en papier en le tapant légèrement sur une surface solide. Si le filtre est trop sale, il est nécessaire de le remplacer. Jeter l'ancien filtre de manière adaptée.
- Nettoyer le couvercle du filtre à air. Insérer ensuite le nouveau filtre en papier dans la base du filtre à air. Remettre le couvercle du filtre à air en place.

REMARQUE :

Pour commander un nouveau filtre à air, merci de contacter le centre d'entretien agréé le plus proche au 1-888-GENERAC. Le numéro de pièce pour ce filtre à air est 073111.

Schéma 14 – Filtre à air



3.5 NETTOYAGE DE L'ÉCRAN PARE-ÉTINCELLES

Le silencieux du pot d'échappement du moteur est équipé d'un écran pare-étincelles. Inspecter et nettoyer l'écran au minimum une fois par an (Schéma 15). Si l'unité fonctionne régulièrement, inspecter et nettoyer l'écran plus souvent.

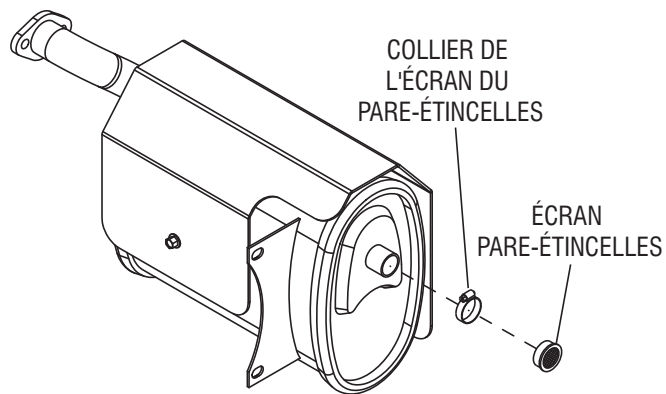
⚠ DANGER !

- ⚠ Si le générateur est utilisé sur un terrain brut couvert d'arbres, de buissons ou d'herbe, il devra être équipé d'un pare-étincelles. Le propriétaire / l'opérateur du générateur devra garder le pare-étincelles en bon état.

Nettoyer et inspecter le pare-étincelles lorsque le moteur est à température ambiante de la manière suivante :

- Desserrer le collier et retirer l'écran du pare-étincelles de l'intérieur du pot d'échappement.
- Inspecter l'écran et le remplacer s'il est tordu, perforé ou endommagé d'une quelconque autre façon. NE PAS UTILISER un écran défectueux. Si l'écran n'est pas endommagé, le nettoyer avec un solvant du commerce.
- Remplacer le pare-étincelles et serrer le collier.

Schéma 15 – Écran pare-étincelles



3.6 GÉNÉRALITÉS

La génératrice doit être démarrée au moins une fois par mois et doit fonctionner pendant au moins 30 minutes. Si cela est impossible et que l'unité n'est pas utilisée pendant plus de 30 jours, utiliser les informations suivantes en tant que guide pour préparer son entreposage.

⚠ DANGER !

- ⚠ NE JAMAIS ranger le moteur avec un réservoir rempli d'essence à l'intérieur ou dans des zones fermées et faiblement aérées où des fumées peuvent atteindre une flamme nue, des étincelles ou une veilleuse telle qu'il y en a sur une chaudière, un chauffe-eau, un sèche-linge ou d'autres appareils fonctionnant au gaz.

- ⚠ Laisser l'unité complètement refroidir avant le stockage.

3.7 STOCKAGE À LONG TERME

Pendant le stockage, il est important d'empêcher la formation de dépôts de gomme dans les pièces essentielles du circuit de carburant, telles que le carburateur, le tuyau pour combustible ou le réservoir. Afin d'éviter tout problème avec le moteur, le circuit de carburant doit être vidé avant le stockage du moteur si celui-ci est d'au moins 30 jours. Pour cela :

- Vidanger le réservoir d'essence de tout le carburant qu'il contient.

⚠ ATTENTION !

! Vider l'essence dans des conteneurs adaptés situés à l'extérieur, loin de toute flamme nue. S'assurer que le moteur est froid. Ne pas fumer ou allumer une cigarette à proximité.

- Démarrer et faire fonctionner le moteur jusqu'à ce qu'il s'arrête suite à une panne d'essence.
- Laisser le moteur refroidir, puis vider l'huile du carter. Remplir jusqu'au niveau recommandé.
- Retirer la bougie d'allumage et verser environ 0,5 onces (15 ml) d'huile pour moteur dans le cylindre. Couvrir l'orifice de la bougie d'allumage avec un chiffon. Tirer plusieurs fois le lanceur à rappel pour lubrifier les segments de piston et l'alésage du cylindre.

⚠ ATTENTION !

! Éviter d'asperger à partir des trous de la bougie d'allumage lorsque le moteur tourne.

- Remettre et serrer la bougie d'allumage. Ne pas brancher le fil de bougie.
- Nettoyer les surfaces externes du générateur. Vérifier que les fentes de refroidissement et les orifices du générateur sont ouverts et non obstrués.
- Stocker l'unité dans un endroit propre et sec.

3.8 AUTRES CONSEILS DE STOCKAGE

- Ne pas stocker l'essence d'une saison sur l'autre.
- Remplacer le bidon d'essence s'il commence à rouiller. De la rouille et / ou de la saleté dans l'essence entraîneront des problèmes dans le carburateur et le circuit de carburant.
- Si cela est possible, stocker l'unité à l'intérieur et la recouvrir afin de la protéger de la saleté et de la poussière. Couvrir l'unité avec une protection adaptée ne retenant pas l'humidité.
- **S'ASSURER DE VIDER LE RÉSERVOIR D'ESSENCE.** S'il n'est pas possible de vider le réservoir d'essence et que l'unité est rangée pendant une longue période, ajouter un stabilisateur d'essence (disponible dans le commerce) à l'essence afin d'augmenter la durée de vie de l'essence.

⚠ ATTENTION !

! NE JAMAIS couvrir le générateur alors que le moteur et la zone du pot d'échappement sont chauds.

4.1 BRANCHEMENT DE LA BATTERIE

(XG7000E ET XG8000E)

REMARQUE :

La batterie envoyée avec le générateur a été complètement chargée. Une batterie peut perdre une partie de sa charge lorsqu'elle n'est pas utilisée pendant des périodes prolongées. S'il est impossible de démarrer le moteur à l'aide de la batterie, brancher le chargeur de 12 V inclus dans la boîte d'accessoires (voir la section « Chargement de la batterie »). FAIRE FONCTIONNER LE GÉNÉRATEUR NE CHARGE PAS LA BATTERIE.

La batterie envoyée avec le générateur est fournie complètement chargée. Pour remplacer la batterie (voir schéma 16) :

- Retirer le panneau latéral comme indiqué. Retirer les quatre boulons fixant le réservoir d'essence.
- Mettre la vanne de combustible sur le panneau de commande sur la position « OFF » (Arrêt). Retirer légèrement le réservoir d'essence et retirer le tuyau de carburant qui va du moteur à la vanne de combustible.

⚠ ATTENTION !

! Vider l'essence dans des conteneurs adaptés situés à l'extérieur, loin de toute flamme nue. S'assurer que le moteur est froid. Ne pas fumer ou allumer une cigarette à proximité.

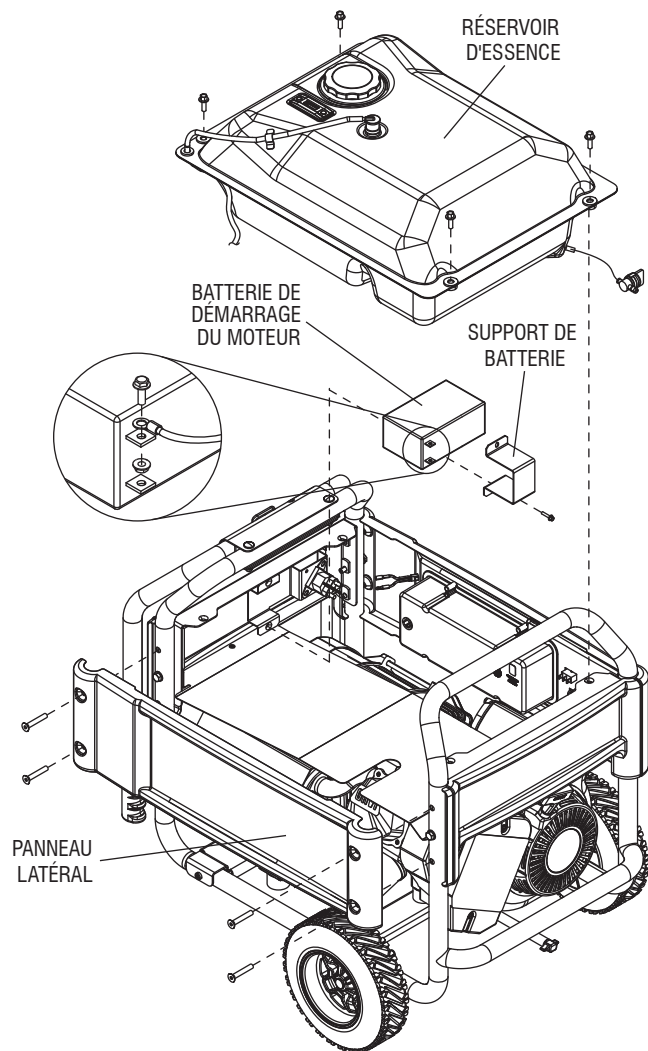
- Retirer le tuyau de récupération de la soupape de sécurité. Pousser le tuyau dans le passe-câble situé au coin du réservoir d'essence. Cela permettra le retrait du réservoir d'essence.
- Pousser la vanne de combustible du panneau de commande et retirer le réservoir d'essence.
- Retirer les fils de la batterie (le fil noir en premier) et le support de fixation de la batterie.
- Remplacer la batterie, en branchant le fil ROUGE à la borne POSITIVE (+) et le fil NOIR à la borne NÉGATIVE (-).

REMARQUE :

Commencer à visser les quatre vis sur le panneau latéral avant de les resserrer toutes, sinon il sera impossible de mettre toutes les vis.

Entretien de la batterie

Schéma 16 – Retrait de la batterie



5.1 GUIDE DE DÉPANNAGE

PROBLÈME	CAUSE	SOLUTION
Le moteur tourne, mais aucun courant alternatif n'est produit.	<ol style="list-style-type: none"> 1. Disjoncteur est ouvert. 2. Cordon mal branché ou défectueux. 3. Dispositif branché défectueux. 4. Erreur au niveau du générateur. 5. La prise DDFT déclenche la prise de 20 A. 	<ol style="list-style-type: none"> 1. Réarmer le disjoncteur. 2. Vérifier et réparer. 3. Brancher un autre dispositif en bon état. 4. Contacter un centre d'entretien agréé. 5. Corriger le « court-circuit » et réinitialiser la prise DDFT.
Le moteur fonctionne bien mais connaît des défaillances lorsque des charges sont branchées.	<ol style="list-style-type: none"> 1. Court-circuit dans l'une des charges branchées. 2. Surcharge du générateur. 3. Vitesse du moteur trop faible. 4. Court-circuit du générateur. 	<ol style="list-style-type: none"> 1. Débrancher la charge électrique court-circuitée. 2. Voir la section « Ne pas surcharger le générateur ». 3. Contacter un centre d'entretien agréé. 4. Contacter un centre d'entretien agréé.
Le moteur ne tourne pas.	<ol style="list-style-type: none"> 1. Batterie faible ou épuisée. 	<ol style="list-style-type: none"> 1. Recharger ou remplacer la batterie (voir la section « Aucune sortie de courant continu au niveau du chargeur de la batterie » à la fin du guide). 2. Démarrer le moteur manuellement à l'aide du lanceur à rappel.
Le moteur ne démarre pas, ou démarre et connaît des défaillances.	<ol style="list-style-type: none"> 1. La soupape d'arrêt est sur OFF (Arrêt). 2. Filtre à air sale. 3. Panne d'essence. 4. Essence viciée. 5. Fil de bougie débranché de la bougie d'allumage. 6. Bougie d'allumage défectueuse. 7. Présence d'eau dans l'essence. 8. Sur-étranglement des gaz. 9. Niveau d'huile faible. 10. Mélange d'essence trop riche. 11. Soupape d'admission bloquée en position ouverte ou fermée. 12. Perte de compression du moteur. 	<ol style="list-style-type: none"> 1. Mettre la soupape d'arrêt sur ON (Marche). 2. Nettoyer ou remplacer le filtre à air. 3. Remplir le réservoir d'essence. 4. Vidanger le réservoir d'essence et le remplir avec de l'essence nouvelle. 5. Brancher le fil à la bougie d'allumage. 6. Remplacer la bougie d'allumage. 7. Vidanger le réservoir d'essence et le remplir avec de l'essence nouvelle. 8. Placer le levier d'étrangleur sur la position No Choke (Aucun étranglement). 9. Remplir le carter jusqu'au niveau nécessaire. 10. Contacter un centre d'entretien agréé. 11. Contacter un centre d'entretien agréé. 12. Contacter un centre d'entretien agréé.
Le moteur s'arrête pendant le fonctionnement.	<ol style="list-style-type: none"> 1. Panne d'essence. 2. Niveau d'huile faible. 3. Erreur au niveau du moteur. 	<ol style="list-style-type: none"> 1. Remplir le réservoir d'essence. 2. Remplir le carter jusqu'au niveau nécessaire. 3. Contacter un centre d'entretien agréé.
Moteur pas assez puissant.	<ol style="list-style-type: none"> 1. Charge trop élevée. 2. Filtre à air sale. 3. Réparation nécessaire du moteur. 	<ol style="list-style-type: none"> 1. Voir la section « Ne pas surcharger le générateur ». 2. Remplacer le filtre à air. 3. Contacter un centre d'entretien agréé.
À-coups ou déclin du moteur.	<ol style="list-style-type: none"> 1. Étrangleur ouvert trop tôt. 2. Mélange trop riche ou trop pauvre dans le carburateur. 	<ol style="list-style-type: none"> 1. Placer le levier d'étrangleur à mi-chemin jusqu'à ce que le moteur fonctionne correctement. 2. Contacter un centre d'entretien agréé.
Aucune sortie de courant continu au niveau du chargeur de la batterie.	<ol style="list-style-type: none"> 1. Bornes de batterie rouillées. 2. Câble de batterie défectueux. 3. Batterie défectueuse. 4. Prise défectueuse. 5. Fusible en ligne du chargeur de batterie (1,5 A) fondu. 	<ol style="list-style-type: none"> 1. Nettoyer les bornes de la batterie. 2. Remplacer le câble. 3. Vérifier l'état de la batterie, la remplacer si elle est défectueuse. 4. Contacter un centre d'entretien agréé. 5. Ne remplacer le fusible qu'avec un fusible de 1,5 A (situé à l'intérieur du panneau de commande).

ÉNONCÉ DE LA GARANTIE EPA AMÉRICAINE DU CONTRÔLE DES ÉMISSIONS VOS DROITS ET OBLIGATIONS DE GARANTIE

L'Agence pour la Protection de l'Environnement américaine (ci-après dénommée EPA) et la société Generac Power Systems, Inc. (ci-après dénommée Generac) sont heureux de vous expliquer ce qu'est la garantie de votre nouvel équipement 2011 et ultérieur. Le nouvel équipement utilise des petits moteurs à allumage commandé doivent être conçus, construits et équipés dans le respect des normes nationales rigoureuses en matière de pollution pour le gouvernement fédéral. Generac garantira le système de contrôle des émissions de votre appareil pour les périodes indiquées ci-après, en l'absence d'acte abusif, de négligence, de modification non approuvée ou de maintenance inadaptée de votre équipement. Le système de contrôle des émissions sur cet appareil comprend tous les composants dont la défaillance pourrait augmenter les émissions des polluants réglementés. Ces composants sont listés dans la section Informations sur les émissions de ce manuel.

COUVERTURE DE GARANTIE DU FABRICANT :

Cette garantie appareils SCE est valide pour deux ans, ou pour la même période comme indiqué dans la garantie limitée de Generac, selon la plus longue. Pour les appareils avec un compteur horaire, la période de la garantie est un nombre d'heures égal à la moitié de la durée de vie utile certifiée de l'appareil, ou la période de garantie spécifiée ci-dessus en années, selon la possibilité inférieure. La durée de vie utile peut être trouvée sur l'étiquette de contrôle des émissions sur le moteur. Si un composant ou système de votre équipement relatif aux émissions comporte une pièce défectueuse ou présente un défaut de fabrication pendant la durée de la garantie, les réparations ou remplacements de pièces seront effectués par un dépositaire d'entretien de garantie agréé par Generac.

RESPONSABILITÉS DE GARANTIE DU PROPRIÉTAIRE :

En tant que propriétaire de l'appareil, vous êtes responsable de la réalisation de toute la maintenance nécessaire telle que listée dans le manuel d'entretien qui vous a été remis par l'usine. Aux fins de la garantie, Generac vous recommande de conserver tous les reçus relatifs à la maintenance effectuée sur votre génératrice, mais Generac ne peut pas refuser la garantie uniquement en raison de la non-présentation des reçus.

Vous devez cependant savoir que Generac pourra refuser tout et / ou partie de la couverture de la garantie ou de la responsabilité si votre appareil et / ou toute pièce de celle-ci ne fonctionne plus du fait d'un usage abusif, d'une négligence, d'une mauvaise maintenance ou de modifications non approuvées.

Vous êtes chargé de contacter un dépositaire de garantie agréé par Generac dès qu'un problème se présente. Les réparations effectuées dans le cadre de la garantie devront être faites dans une période raisonnable, inférieure à 30 jours.

Le service de garantie peut être organisé en contactant votre dépositaire ou un dépositaire de service de garantie agréé par Generac. Pour connaître le dépositaire de service de garantie agréé par Generac situé le plus près, appeler notre numéro ci-dessous, ou envoyer un courrier à emissions@generac.com.

1-800-333-1322

REMARQUE IMPORTANTE : Cet énoncé de garantie explique vos droits et obligations dans le cadre de la garantie du Système de Contrôle des Émissions qui vous est fournie par Generac conformément au droit de l'État fédéral. Consulter également les « Garanties limitées de Generac pour Generac Power Systems, Inc. » jointes au présent document sur un feuillet séparé, qui vous est également remis par Generac. Veuillez noter que la présente garantie ne s'applique pas aux dommages accessoires, importants ou indirects causés par des défaillances matérielles ou de fabrication, ou par tout retard de réparation ou de remplacement de la ou des pièce(s) défectueuses. La présente garantie remplace toutes les autres garanties, implicites ou explicites. En particulier, Generac n'émet aucune garantie de conformité ou d'usage pour un objectif particulier. Certains États et provinces ne permettent pas la limitation de la durée des garanties implicites. Toutes les garanties implicites qui sont autorisées par loi, seront limitées dans la durée selon les termes de la présente garantie. La limitation mentionnée ci-dessus pourrait donc ne pas s'appliquer à votre cas.

La garantie du SCE ne s'applique qu'au système de contrôle des émissions de votre nouvel équipement. Les garanties du SCE et de Generac décrivent les droits et obligations importantes relatives à votre nouvel équipement.

Le service de garantie ne peut être réalisé que par une entreprise de service agréée par Generac. En cas de demande du service de garantie, des preuves mentionnant la date de vente à l'acquéreur / au propriétaire d'origine doivent être présentées.

Pour toute question concernant vos droits et responsabilités de garantie, merci de contacter Generac à l'adresse suivante :

**ATTENTION WARRANTY DEPARTMENT
GENERAC POWER SYSTEMS, INC.
P.O. BOX (boîte postale) 297 • WHITEWATER, WI 53190**

GARANTIE DU SYSTÈME DE CONTRÔLE DES ÉMISSIONS

Garantie du Système de Contrôle des Émissions (garantie du SCE) pour l'équipement utilisant de petits moteurs à allumage commandé :

- (a) Applicabilité : la présente garantie s'applique à l'équipement qui utilise de petits moteurs hors route. La période de la garantie du SCE commencera à la date d'achat / de livraison du nouvel équipement à son acquéreur / propriétaire d'origine, final, et durera pour moins de :
- (1) La période de temps spécifiée dans la présente Garantie limitée de Generac, mais pas moins de 24 mois, ou
 - (2) Pour les moteurs équipés d'un compteur horaire, un certain nombre d'heures de fonctionnement égale à la moitié de la durée de vie utile du moteur. La durée de vie utile peut est indiquée sur l'étiquette de contrôle des émissions sur le moteur.
- (b) Couverture générale de garantie d'émissions : Generac garantit à l'acquéreur / au propriétaire d'origine, final, du nouveau moteur ou équipement et à chacun des acquéreurs / propriétaires suivant que lorsqu'il est installé le SCE :
- (1) Est conçu, construit et équipé dans le respect de toutes les réglementations applicables ; et
 - (2) Ne comporte aucune pièce défectueuse ni ne présente aucun défaut de fabrication à tout moment de la période de garantie du SCE.
- (c) La garantie sur les pièces relatives aux émissions sera interprétée de la façon suivante :
- (1) Toute pièce garantie, dont le remplacement n'est pas prévu au cours des maintenances obligatoires mentionnées dans le Manuel d'entretien sera garantie pour toute la durée de la Garantie du SCE. Si l'une de ces pièces devient défectueuse pendant la durée de la Garantie du SCE, elle sera réparée ou remplacée par Generac conformément au paragraphe (4) qui suit. Ces pièces réparées ou remplacées dans le cadre de la Garantie du SCE seront garanties pour le reste de la durée de la Garantie du SCE.
 - (2) Toute pièce garantie dont il est prévu une inspection régulière dans le Manuel d'entretien sera garantie pendant toute la durée de la Garantie du SCE. Toute déclaration au niveau du Manuel d'entretien et relative à l'effet de « réparation ou remplacement si nécessaire » ne réduira pas la durée de la Garantie du SCE. Ces pièces réparées ou remplacées dans le cadre de la Garantie du SCE seront garanties pour le reste de la durée de la Garantie du SCE.
 - (3) Toute pièce garantie, dont le remplacement est pas prévu au cours des maintenances obligatoires mentionnées dans le Manuel d'entretien sera garantie pour la période précédant la date du premier remplacement prévu. Si la pièce devient défectueuse avant le premier remplacement prévu, elle sera réparée ou remplacée par Generac, conformément au paragraphe (4) qui suit. Ces pièces relatives aux émissions réparées ou remplacées dans le cadre de la Garantie du SCE seront garanties pour le reste de la durée précédant la date de leur premier remplacement prévu.
 - (4) La réparation ou le remplacement de toute pièce relative aux émissions et garantie dans le cadre de la Garantie du SCE sera réalisé sans frais pour le propriétaire dans un service de garantie agréé par Generac.
 - (5) Nonobstant les dispositions de la sous-section (4) ci-dessus, les services ou réparations sous garantie doivent être effectués aux centres d'entretien agréés par Generac.
 - (6) Si le moteur est inspecté par un service de garantie agréé par Generac, les frais de diagnostic ne seront pas à la charge de l'acquéreur / du propriétaire si la réparation entre dans le cadre de la garantie.
 - (7) Generac est tenu, pendant la durée de la Garantie du SCE, de conserver un stock de pièces relatives aux émissions et garanties suffisant afin de répondre à la demande desdites pièces.
 - (8) Toute pièce de rechange relative aux émissions agréée et approuvée par Generac pourra être utilisée pour la réalisation de toute maintenance ou réparation effectuée dans le cadre de la garantie du SCE et sera fournie sans frais à la charge de l'acquéreur / du propriétaire. Cette utilisation ne réduira pas les obligations de Generac dans le cadre de la Garantie du SCE.
 - (9) Aucune modification, autres que celles explicitement approuvées par Generac, ne peuvent être apportées à la génératrice. Les modifications non approuvées annulent la Garantie du SCE et constituera un motif suffisant pour rejeter toute demande de bénéfice de la Garantie du SCE.
 - (10) Generac ne sera pas responsable des défaillances des pièces de rechange non autorisées, ou défaillance des pièces autorisées causées par l'utilisation de pièces de rechange non autorisées.

LES PIÈCES RELATIVES AUX ÉMISSIONS PEUVENT INCLURE CE QUI SUIT (LE CAS ÉCHÉANT) :

- | | |
|--|------------------------------|
| 1) DISPOSITIF MESUREUR DE CARBURANT | 3) SYSTÈME D'ALLUMAGE |
| A. CARBURATEUR ET PIÈCES INTERNES | A. BOUGIES D'ALLUMAGE |
| B. CAPUCHON/RÉSERVOIR DE CARBURANT | B. MODULE/BOBINES D'ALLUMAGE |
| C. CANALISATIONS DE CARBURANT | 4) SYSTÈME D'ADMISSION D'AIR |
| D. CANALISATION DE TUYAUX D'ÉVACUATION | A. SOUPEPE À IMPULSION D'AIR |
| E. RÉGULATEUR (CARBURANTS GAZEUX) | 5) SYSTÈME D'ÉCHAPPEMENT |
| 2) SYSTÈME D'ADMISSION D'AIR | A. CATALYSEUR |
| A. COLLECTEUR D'ADMISSION | B. COLLECTEUR D'ÉCHAPPEMENT |
| B. FILTRE À AIR | |

GARANTIE LIMITÉE DE « DEUX ANS » DE GENERAC POWER SYSTEMS POUR LES GÉNÉRATEURS PORTATIFS DE SÉRIE GP, LP, XG ET XT

Generac Power Systems, Inc. (Generac) garantit que, pour une période de deux (2) ans à compter de la date d'achat d'origine, ses générateurs de série GP, LP, XG et XT ne présenteront aucun défaut matériel ni de fabrication pour les éléments et les périodes mentionnés ci-après. À sa discrétion, Generac réparera ou remplacera toute pièce qui sera reconnue défectueuse après examen, inspection et essai par Generac ou par un fournisseur de services de garantie agréé Generac. Les réparations ou remplacements effectués dans le cadre de cette garantie limitée ne renouveleront ni n'étendront la période originale de garantie. Tout produit réparé sera garanti pour la période restante de la garantie originale seulement. Tout équipement que l'acheteur/le propriétaire juge défectueux doit être retourné pour examen au fournisseur de services de garantie agréé Generac le plus proche. Tous les frais de transport à payer dans le cadre de cette garantie, incluant le retour à l'usine, seront supportés et payés à l'avance par l'acheteur/le propriétaire. Cette garantie s'applique uniquement aux générateurs portatifs de série GP, LP, XG et XT de Generac et n'est pas transférable de l'acheteur d'origine. Conservez votre reçu comme preuve d'achat. Si vous ne fournissez pas de preuve de la date d'achat initiale, la date de livraison du produit par le fabricant sera utilisée pour déterminer la période de la garantie.

CALENDRIER DE GARANTIE

Les applications grand public sont garanties pour deux (2) ans. Les applications commerciales et de location sont garanties pour un (1) an ou 1 000 heures maximum, selon la première éventualité.

APPLICATION GRAND PUBLIC

PREMIÈRE ANNÉE - Couverture complète limitée sur la main-d'œuvre et les pièces listées (preuve d'achat et d'entretien requise) :

- Moteur - Tous les composants
- Alternateur - Tous les composants

DEUXIÈME ANNÉE - Couverture complète limitée sur les pièces listées (preuve d'achat et d'entretien requise) :

- Moteur - Tous les composants
- Alternateur - Tous les composants

APPLICATION COMMERCIALE/DE LOCATION

PREMIÈRE ANNÉE - Couverture complète limitée sur la main-d'œuvre et les pièces listées (preuve d'achat et d'entretien requise) :

- Moteur - Tous les composants
- Alternateur - Tous les composants

REMARQUE : aux fins de cette garantie, « usage grand public » signifie usage domestique personnel ou récréatif par l'acheteur d'origine. Cette garantie ne s'applique pas aux appareils utilisés comme première source d'électricité en remplacement du réseau public là où les services du réseau public sont présents ou dans les endroits où il n'y a normalement pas de service du réseau public. Une fois que le générateur est utilisé à des fins commerciales ou de location, il n'est plus considéré comme un générateur à usage grand public aux fins de cette garantie.

LIGNES DIRECTRICES :

1. Toutes les réparations effectuées dans le cadre de la garantie doivent être faites ou réglées par un concessionnaire agréé/autorisé de Generac, ou une de ses succursales.
2. Les unités qui ont été revendues ne sont pas couvertes par la garantie Generac, puisque celle-ci n'est pas transférable.
3. Les dommages à tout composant couvert ou les dommages indirects causés par l'utilisation d'une pièce qui n'est pas d'origine ne sont pas couverts par cette garantie.
4. Generac peut choisir de réparer, de remplacer ou de rembourser une pièce.
5. Les taux de la main-d'œuvre couverts par la garantie sont basés sur les heures de travail normales. Les coûts supplémentaires pour le temps supplémentaire, les jours fériés ou la main-d'œuvre d'urgence encourus pour les réparations effectuées à l'extérieur des heures normales d'ouverture seront à la charge du client.
6. Les coûts d'expédition des pièces couvertes par la garantie seront remboursés au tarif de transport routier. Les coûts liés aux demandes d'expédition accélérée seront à la charge du client.
7. Les batteries sont garanties par leur fabricant.
8. Une vérification de l'entretien requis peut être nécessaire pour la couverture de la garantie.

CETTE GARANTIE NE S'APPLIQUE PAS DANS LES CAS SUIVANTS :

1. Les frais liés à l'entretien et aux réglages normaux.
2. Les pannes causées par des carburants ou de l'huile contaminés ou des niveaux d'huile insuffisants.
3. Les réparations ou les diagnostics effectués par des individus qui ne sont pas des fournisseurs agréés Generac et qui n'ont pas reçu d'autorisation écrite de Generac.
4. Les pannes causées par, mais sans s'y limiter, une usure et une détérioration normales, un accident, un mauvais usage, un usage abusif, une négligence ou une utilisation inadéquate.
5. Comme pour tous les appareils mécaniques, les pièces des moteurs Generac ont besoin d'être entretenues et remplacées de façon périodique afin de fonctionner de la manière prévue. Cette garantie ne couvre pas les réparations lorsque la/les pièce(s) ou le moteur sont arrivés au bout de leur durée de vie suite à un usage normal.

Garantie

6. Les pannes provoquées par une cause externe ou une catastrophe naturelle telles qu'une collision, un cambriolage, un acte de vandalisme, une émeute ou une guerre, une explosion nucléaire, un incendie, la foudre, un tremblement de terre, une tempête, la grêle, une éruption volcanique, de l'eau ou une inondation, une tornade ou un ouragan.
7. Tout dommage causé par une infestation de rats ou d'insectes.
8. Les produits modifiés ou altérés d'une manière qui n'a pas été autorisée par écrit par Generac.
9. Tous dommages accessoires, subséquents ou indirects causés par une défectuosité en matériel et en fabrication ou par tout retard dans la réparation ou le remplacement d'une ou de pièces défectueuses.
10. Les défaillances dues à une application incorrecte.
11. Les dépenses liées à « l'instruction du client » ou au dépannage lorsqu'aucun défaut de fabrication n'est détecté.
12. La location de l'équipement utilisé pendant que les réparations sous garantie sont effectuées.
13. Les batteries de démarrage, les fusibles, les ampoules et les liquides pour moteur.

CETTE GARANTIE REMPLACE TOUTES LES AUTRES GARANTIES, EXPRESSES OU IMPLICITES. EN PARTICULIER, GENERAC N'OFFRE AUCUNE AUTRE GARANTIE QUANT À LA QUALITÉ MARCHANDE OU À LA CONVENANCE À UN USAGE PARTICULIER. Toutes les garanties implicites qui sont autorisées par la loi seront limitées en durée aux termes de la garantie expresse offerte dans la présente. Certains États ne permettent pas de poser une limite à la durée de la garantie implicite; il se pourrait donc que la limite susmentionnée ne s'applique pas à vous. LA SEULE RESPONSABILITÉ DE GENERAC RÉSIDERA DANS LA RÉPARATION OU LE REMPLACEMENT DES PIÈCES COMME SPÉCIFIÉ CI-DESSUS. EN AUCUN CAS, GENERAC NE POURRA ÊTRE TENUE RESPONSABLE DE DOMMAGES ACCESSOIRES OU SUBSÉQUENTS, MÊME SI LES DOMMAGES RÉSULTENT DIRECTEMENT DE LA NÉGLIGENCE DE GENERAC. Certains États ne permettent pas que des exclusions ou limitations aux dommages accessoires ou consécutifs soient appliquées; il se pourrait donc que la limite susmentionnée ne s'applique pas à vous. Cette garantie vous donne des droits juridiques précis. Vous pouvez également avoir d'autres droits d'un État à l'autre.

POUR L'AUSTRALIE UNIQUEMENT : nos produits sont fournis avec des garanties qui ne peuvent être exclues en vertu de la loi australienne sur la consommation (Australian Consumer Law). Vous avez le droit à un remplacement ou un remboursement pour une défaillance majeure et à une indemnisation pour toute autre perte ou tout dommage raisonnablement prévisible. Vous disposez également d'un droit à la réparation ou au remplacement si les produits ne sont pas d'une qualité acceptable et si cette défaillance n'est pas considérée comme majeure. Pour tout renseignement supplémentaire sur les produits ou sur le service en Australie, veuillez communiquer avec Allpower par téléphone au +61 1800-333-428 ou vous rendre sur le site Internet à cette adresse : www.allpower.com.au.

POUR LA NOUVELLE-ZÉLANDE UNIQUEMENT : cette garantie n'exclut, ne restreint ni ne modifie aucune condition, aucun droit de garantie ou recours qui, conformément à la législation de Nouvelle-Zélande (Commonwealth ou État), y compris la loi sur la pratique commerciale loyale de 1986 (Fair Trading Practices Act) ou la loi sur la protection du consommateur de 1993 (CGA ou Consumer Guarantees Act), s'applique à cette garantie limitée et ne peut pas être exclue, restreinte ni modifiée. Cette garantie n'est en aucun cas destinée à contourner les dispositions du CGA, sauf dans la mesure permise par cette loi, et ces termes doivent être modifiés dans la mesure nécessaire pour donner effet à cette intention. Si vous faites l'acquisition d'un produit de Generac Power Systems ou auprès des distributeurs et revendeurs autorisés à des fins commerciales, alors, conformément à la section 43(2) de la CGA, il est convenu que les dispositions du CGA ne s'appliquent pas. Pour tout renseignement supplémentaire sur les produits ou sur le service en Nouvelle-Zélande, veuillez communiquer avec Allpower par téléphone au +64 09-269-1160 ou vous rendre sur le site Internet à cette adresse : www.allpower.com.nz.

GENERAC POWER SYSTEMS, INC. • P.O. BOX 8 • Waukesha, WI 53187, É.-U.

Tél. : (888) GENERAC (436-3722) • Fax : (262) 544-4851

Pour trouver le fournisseur agréé le plus proche, visitez notre site Web au www.generac.com

Warranty

U.S. EPA EMISSION CONTROL WARRANTY STATEMENT YOUR WARRANTY RIGHTS AND OBLIGATIONS

The United States Environmental Protection Agency (EPA) and Generac Power Systems, Inc. (Generac) are pleased to explain the Emission Control System Warranty (ECS Warranty) on your new 2011 and later equipment. New equipment that use small spark-ignited engines must be designed, built, and equipped to meet stringent anti-smog standards for the federal government. Generac will warrant the emission control system on your equipment for the period of time listed below provided there has been no abuse, neglect, unapproved modification or improper maintenance of your equipment. The emission control system on this equipment includes all components whose failure would increase the emissions of any regulated pollutant. These components are listed in the Emissions Information section of this manual.

MANUFACTURER'S WARRANTY COVERAGE:

This ECS Warranty is valid for two years, or for the same period as specified in the Generac Limited Warranty, whichever is longer. For equipment with hour meters, the warranty period is a number of hours equal to half the Useful Life to which the equipment is certified, or the warranty period specified above in years, whichever is less. The Useful Life can be found on the Emission Control Label on the engine. If, during such warranty period, any emission-related part on your equipment is found to be defective in materials or workmanship, repairs or replacement will be performed by a Generac Authorized Warranty Service Dealer.

OWNER'S WARRANTY RESPONSIBILITIES:

As the equipment owner, you are responsible for the completion of all required maintenance as listed in your factory supplied Owner's Manual. For warranty purposes, Generac recommends that you retain all receipts covering maintenance on your generator, but Generac cannot deny warranty solely due to the lack of receipts.

You should be aware that Generac may deny any and/or all warranty coverage or responsibility if your equipment, or a part/component thereof, has failed due to abuse, neglect, improper maintenance, or unapproved modifications.

You are responsible for contacting a Generac Authorized Warranty Dealer as soon as a problem occurs. The warranty repairs should be completed in a reasonable amount of time, not to exceed 30 days.

Warranty service can be arranged by contacting either your selling dealer or a Generac Authorized Warranty Service Dealer. To locate the Generac Authorized Warranty Service Dealer nearest you, call our toll free number below, or email emissions@generac.com.

1-800-333-1322

IMPORTANT NOTE: This warranty statement explains your rights and obligations under the Emission Control System Warranty, which is provided to you by Generac pursuant to federal law. See also the "Generac Limited Warranties for Generac Power Systems, Inc.," which is enclosed herewith on a separate sheet, also provided to you by Generac. Note that this warranty shall not apply to any incidental, consequential or indirect damages caused by defects in materials or workmanship or any delay in repair or replacement of the defective part(s). This warranty is in place of all other warranties, expressed or implied. Specifically, Generac makes no other warranties as to the merchantability or fitness for a particular purpose. Any implied warranties which are allowed by law, shall be limited in duration to the terms of the express warranty provided herein. Some states do not allow limitations on how long an implied warranty lasts, so the above limitation may not apply to you.

The ECS Warranty applies only to the emission control system of your new equipment. Both the ECS Warranty and the Generac Warranty describe important rights and obligations with respect to your new engine.

Warranty service can be performed only by a Generac Authorized Warranty Service Facility. When requesting warranty service, evidence must be presented showing the date of the sale to the original purchaser/owner.

If you have any questions regarding your warranty rights and responsibilities, you should contact Generac at the following address:

**ATTENTION WARRANTY DEPARTMENT
GENERAC POWER SYSTEMS, INC.
P.O. BOX 297 • WHITEWATER, WI 53190**

Warranty

EMISSION CONTROL SYSTEM WARRANTY

Emission Control System Warranty (ECS Warranty) for equipment using small spark-ignited engines:

- (a) Applicability: This warranty shall apply to equipment that uses small off-road engines. The ECS Warranty period shall begin on the date the new equipment is purchased by/delivered to its original, end-use purchaser/owner and shall continue for the lesser of:
- (1) The period of time specified in the Generac Limited Warranty enclosed herewith, but not less than 24 months, or
 - (2) For engines equipped with hour meters, a number of operating hours equal to half of the engine's useful life. The useful life is specified on the Emissions Control Label on the engine.
- (b) General Emissions Warranty Coverage: Generac warrants to the original, end-use purchaser/owner of the new engine or equipment and to each subsequent purchaser/owner that the ECS when installed was:
- (1) Designed, built and equipped so as to conform with all applicable regulations; and
 - (2) Free from defects in materials and workmanship which cause the failure of a warranted part at any time during the ECS Warranty Period.
- (c) The warranty on emissions-related parts will be interpreted as follows:
- (1) Any warranted part that is not scheduled for replacement as required maintenance in the Owner's Manual shall be warranted for the ECS Warranty Period. If any such part fails during the ECS Warranty Period, it shall be repaired or replaced by Generac according to Subsection (4) below. Any such part repaired or replaced under the ECS Warranty shall be warranted for the remainder of the ECS Warranty Period.
 - (2) Any warranted part that is scheduled only for regular inspection as specified in the Owner's Manual shall be warranted for the ECS Warranty Period. A statement in the Owner's Manual to the effect of "repair or replace as necessary" shall not reduce the ECS Warranty Period. Any such part repaired or replaced under the ECS Warranty shall be warranted for the remainder of the ECS Warranty Period.
 - (3) Any warranted part that is scheduled for replacement as required maintenance in the Owner's Manual shall be warranted for the period of time prior to first scheduled replacement point for that part. If the part fails prior to the first scheduled replacement, the part shall be repaired or replaced by Generac according to Subsection (4) below. Any such emissions-related part repaired or replaced under the ECS warranty shall be warranted for the remainder of the period prior to the first scheduled replacement point for that part.
 - (4) Repair or replacement of any warranted, emissions-related part under this ECS Warranty shall be performed at no charge to the owner at a Generac Authorized Warranty Service Facility.
 - (5) Notwithstanding the provisions of subsection (4) above, warranty services or repairs must be provided at Generac Authorized Service Facilities.
 - (6) When the engine is inspected by a Generac Authorized Warranty Service Facility, the purchaser/owner shall not be held responsible for diagnostic costs if the repair is deemed warrantable.
 - (7) Throughout the ECS Warranty Period, Generac shall maintain a supply of warranted emission-related parts sufficient to meet the expected demand for such parts.
 - (8) Any Generac authorized and approved emission-related replacement parts may be used in the performance of any ECS Warranty maintenance or repairs and will be provided without charge to the purchaser/owner. Such use shall not reduce Generac's ECS Warranty obligations.
 - (9) No modifications, other than those explicitly approved by Generac, may be made to the generator. Unapproved modifications void this ECS Warranty and shall be sufficient ground for disallowing an ECS Warranty claim.
 - (10) Generac shall not be held liable hereunder for failures of any non-authorized replacement parts, or failures of any authorized parts caused by the use of non-authorized replacement parts.

EMISSION RELATED PARTS MAY INCLUDE THE FOLLOWING (IF EQUIPPED):

- | | |
|----------------------------------|--------------------------|
| 1) FUEL METERING SYSTEM | 3) IGNITION SYSTEM |
| A. CARBURETOR AND INTERNAL PARTS | A. SPARK PLUGS |
| B. FUEL TANK/CAP | B. IGNITION COILS/MODULE |
| C. FUEL LINES | 4) AIR INJECTION SYSTEM |
| D. EVAPORATIVE VENT LINES | A. PULSE AIR VALVE |
| E. REGULATOR (GASEOUS FUELS) | 5) EXHAUST SYSTEM |
| 2) AIR INDUCTION SYSTEM | A. CATALYST |
| A. INTAKE MANIFOLD | B. EXHAUST MANIFOLD |
| B. AIR FILTER | |

DECLARACIÓN DE GARANTÍA DE CONTROL DE EMISIONES DE LA EPA EE.UU. SUS DERECHOS DE GARANTÍA Y OBLIGACIONES

La Agencia de Protección Ambiental (EPA) de los EE.UU. y Generac Power Systems, Inc. (Generac) se complacen en explicar la garantía del Sistema de Control de Emisiones en su nuevo equipo de 2011 y posteriores. Los equipos nuevos que utilizan pequeños motores encendidos con chispa se deben diseñar, construir, y equipar de tal forma que cumplan con las estrictas normas contra el smog del gobierno federal. Generac garantiza el sistema de control de emisiones en su equipo por el período que se enumera a continuación siempre que no haya habido abuso, negligencia, modificación no aprobada o mantenimiento incorrecto de su equipo. El sistema de control de emisiones de este equipo incluye todos los componentes cuya falla aumentaría la emisión de todo contaminante regulado. Estos componentes se enumeran en la sección Información sobre Emisiones de este manual.

COBERTURA DE LA GARANTÍA DEL FABRICANTE:

Esta Garantía ECS es válida por dos años, o por el mismo período que se especifique en la Garantía Limitada Generac, el que sea más largo. Para los equipos que tienen medidor de horas, el período de garantía es un número de horas igual a la mitad de la vida útil para la que está certificado el equipo, o el período de garantía especificado en años, el que sea menor. La vida útil se puede encontrar en la etiqueta de Control de Emisiones del motor. Si durante dicho período de garantía se identifica que cualquier parte de su equipo relacionada con las emisiones está defectuosa en cuanto a sus materiales o fabricación, un Centro de Servicio de Garantía Autorizado de Generac realizará las reparaciones o reemplazos.

RESPONSABILIDADES DEL DUEÑO EN LA GARANTÍA:

Como dueño del equipo, usted es responsable de la realización de todo el mantenimiento requerido como se indica en su Manual del Usuario suministrado de fábrica. Para los propósitos de la garantía, Generac recomienda que guarde todos los recibos de mantenimiento de su generador, pero Generac no puede invalidar la garantía solamente debido a la falta de recibos.

Usted debe saber que Generac puede negar cualquier y/o toda garantía de cobertura o responsabilidad si su equipo, o una parte o componente del mismo, ha fallado debido al abuso, mantenimiento inapropiado, o modificaciones no autorizadas.

Usted es responsable de ponerse en contacto con un Centro de Garantía Autorizado de Generac tan pronto como ocurra un problema. Las reparaciones por garantía deben terminarse en un periodo de tiempo razonable, que no exceda de 30 días.

El servicio por garantía puede ser coordinado poniéndose en contacto con su distribuidor autorizado o con un Centro de Servicio de Garantía Autorizado de Generac. Para ubicar al Distribuidor de Servicio de Garantía Autorizado de Generac más cercano, llame al número gratuito que aparece debajo, o contáctenos a través del correo electrónico: emissions@generac.com.

1-800-333-1322

NOTA IMPORTANTE: Esta declaración de garantía explica sus derechos y obligaciones según la Garantía del Sistema de Control de Emisiones (Garantía ECS), que le es proporcionada por Generac conforme a la ley federal. Vea también las "Garantías Limitadas de Generac para Generac Power Systems, Inc.", que se incluyen en otra hoja en este documento, y que también le son proporcionadas por Generac. Observe que esta garantía no se aplicará a los daños incidentales, consecuentes o indirectos ocasionados por defectos en materiales o fabricación o a algún retraso en la reparación o el reemplazo de las partes defectuosas. Esta garantía reemplaza a las otras garantías, expresadas o implícitas. Específicamente, Generac no ofrece ninguna otra garantía en cuanto a la comerciabilidad o idoneidad para algún propósito en particular. Cualquier garantía implícita permitida por ley, será limitada en su duración a los términos de la garantía expresa proporcionada en el presente. Algunos estados no permiten limitaciones en cuanto a la duración de una garantía implícita, así que la limitación anterior puede no aplicarse a usted.

La Garantía del ECS se aplica solamente al sistema de control de emisiones de su nuevo equipo. La Garantía del ECS y la Garantía de Generac describen derechos y obligaciones importantes relacionadas con su nuevo motor.

El servicio de garantía puede realizarse solamente por un Centro de Servicio de Garantía Autorizado de Generac. Al pedir el servicio de garantía, se deben presentar pruebas en las que se indique la fecha de la venta al comprador/dueño original.

Si tiene alguna pregunta sobre sus derechos y responsabilidades de la garantía, debe contactarse con Generac, en la dirección siguiente:

**A LA ATENCIÓN DEL DEPARTAMENTO DE GARANTÍAS
GENERAC POWER SYSTEMS, INC.
P.O. BOX 297 • WHITEWATER, WI 53190**

GARANTÍA DEL SISTEMA DE CONTROL DE EMISIONES

Garantía del Sistema de Control de Emisiones [ECS, por sus siglas en inglés] (garantía del ECS) para equipos que usan pequeños motores encendidos con chispa:

- (a) Aplicación: Esta garantía se aplicará a los equipos que utilizan pequeños motores no para vehículos. El período de garantía del ECS comenzará en la fecha en que el equipo nuevo es comprado o entregado a su comprador/dueño original y usuario final, y continuará por 24 meses consecutivos después de esa fecha.
 - (1) El período especificado en la presente Garantía Limitada de Generac, pero no menos de 24 meses, o
 - (2) Para motores equipados con medidor de horas, un número de horas de operación igual a la mitad de la vida útil de motor. La vida útil se puede encontrar en la etiqueta de Control de Emisiones del motor.
- (b) Cobertura General de la Garantía de Emisiones: Generac garantiza al comprador/dueño original y usuario final del nuevo motor o equipo y a cada comprador/ dueño subsiguiente que el ECS cuando se instaló:
 - (1) Estaba diseñado, construido y equipado para cumplir con todas las normas aplicables; y
 - (2) Estaba libre de defectos en los materiales y fabricación que pudieran ocasionar fallas de una pieza con garantía en cualquier momento durante el Período de Garantía del ECS.
- (c) La garantía para las piezas relacionadas con emisiones será interpretada como sigue:
 - (1) Cualquier pieza con garantía que no esté programada para reemplazo como parte del mantenimiento necesario indicado en el Manual del Usuario será garantizada por el Período de Garantía del ECS. Si cualquiera de estas piezas falla durante el Período de Garantía del ECS, será reparada o reemplazada por Generac según la subsección (4) siguiente. Dicha parte reparada o reemplazada bajo la Garantía del ECS será garantizada por el resto del Período de Garantía del ECS.
 - (2) Cualquier parte garantizada que esté programada solamente para las inspecciones regulares según se especifique en el Manual del Usuario será garantizada por el Período de Garantía del ECS. Un enunciado en el Manual del Usuario que indique "repare o reemplace cuanto sea necesario" no reducirá el Período de Garantía del ECS. Dicha parte reparada o reemplazada bajo la Garantía del ECS será garantizada por el resto del Período de Garantía del ECS.
 - (3) Cualquier pieza con garantía que esté programada para reemplazo como parte del mantenimiento necesario en el Manual del Usuario será garantizada por el periodo de tiempo previo al primer reemplazo programado para dicha pieza. Si la pieza falla antes del primer reemplazo programado, la pieza será reparada o reemplazada por Generac según la subsección (4) siguiente. Dicha pieza relacionada con las emisiones que haya sido reparada o reemplazada bajo la garantía del ECS será garantizada por el resto del periodo previo al primer reemplazo programado para esa pieza.
 - (4) La reparación o el reemplazo de cualquier pieza garantizada relacionada con las emisiones bajo esta Garantía del ECS será sin cargo para el dueño en un Centro de Servicio de Garantía Autorizado de Generac.
 - (5) A pesar de las disposiciones de la subsección (4) anterior, los servicios de garantía o de reparaciones se deben proporcionar en un Centro de Servicio Autorizado de Generac.
 - (6) Cuando el motor es examinado por un Centro de Servicio de Garantía Autorizado de Generac, el comprador/dueño no será responsable del costo de diagnóstico si la reparación está cubierta por la garantía.
 - (7) Durante el Período de Garantía del ECS, Generac tendrá el inventario de piezas relacionadas con las emisiones bajo garantía suficiente para cubrir la demanda prevista para tales piezas.
 - (8) Las piezas de recambio relacionadas con las emisiones que hayan sido autorizadas y aprobadas por Generac se pueden utilizar durante cualquier mantenimiento o reparación de Garantía del ECS y serán proporcionadas sin cargo al comprador/dueño. Dicho uso no reducirá las obligaciones de la Garantía del ECS de Generac.
 - (9) No se pueden realizar otras modificaciones al generador, excepto aquellas explícitamente aprobadas por Generac. Las modificaciones no aprobadas anulan la Garantía ECS y son motivo suficiente para invalidar un reclamo a ésta.
 - (10) Generac no será responsable por fallas de repuestos no autorizados, o fallas de piezas autorizadas causadas por el uso de repuestos no autorizados.

LAS PIEZAS RELACIONADAS CON EMISIONES PUEDEN INCLUIR LAS SIGUIENTES (SI ESTÁN INSTALADAS):

- 1) SISTEMA DE DOSIFICACIÓN DEL COMBUSTIBLE
 - A. CARBURADOR Y PIEZAS INTERNAS
 - B. TANQUE/TAPÓN DE COMBUSTIBLE
 - C. LÍNEAS DE COMBUSTIBLE
 - D. LÍNEAS DE VENTEO EVAPORATIVO
 - E. REGULADOR (COMBUSTIBLES GASEOSOS)
- 2) SISTEMA DE INDUCCIÓN DE AIRE
 - A. MÚLTIPLE DE ADMISIÓN
 - B. FILTRO DE AIRE
- 3) SISTEMA DE IGNICIÓN
 - A. BUJÍAS
 - B. BOBINAS/MÓDULO DE ARRANQUE
- 4) SISTEMA DE INYECCIÓN DE AIRE
 - A. VÁLVULA DE INDUCCIÓN DE AIRE POR IMPULSOS
- 5) SISTEMA DE ESCAPE
 - A. CATALIZADOR
 - B. CAÑO DE ESCAPE

ÉNONCÉ DE LA GARANTIE EPA AMÉRICAINE DU CONTRÔLE DES ÉMISSIONS VOS DROITS ET OBLIGATIONS DE GARANTIE

L'Agence pour la Protection de l'Environnement américaine (ci-après dénommée EPA) et la société Generac Power Systems, Inc. (ci-après dénommée Generac) sont heureux de vous expliquer ce qu'est la garantie de votre nouvel équipement 2011 et ultérieur. Le nouvel équipement utilise des petits moteurs à allumage commandé doivent être conçus, construits et équipés dans le respect des normes nationales rigoureuses en matière de pollution pour le gouvernement fédéral. Generac garantira le système de contrôle des émissions de votre appareil pour les périodes indiquées ci-après, en l'absence d'acte abusif, de négligence, de modification non approuvée ou de maintenance inadaptée de votre équipement. Le système de contrôle des émissions sur cet appareil comprend tous les composants dont la défaillance pourrait augmenter les émissions des polluants réglementés. Ces composants sont listés dans la section Informations sur les émissions de ce manuel.

COUVERTURE DE GARANTIE DU FABRICANT :

Cette garantie appareils SCE est valide pour deux ans, ou pour la même période comme indiqué dans la garantie limitée de Generac, selon la plus longue. Pour les appareils avec un compteur horaire, la période de la garantie est un nombre d'heures égal à la moitié de la durée de vie utile certifiée de l'appareil, ou la période de garantie spécifiée ci-dessus en années, selon la possibilité inférieure. La durée de vie utile peut être trouvée sur l'étiquette de contrôle des émissions sur le moteur. Si un composant ou système de votre équipement relatif aux émissions comporte une pièce défectueuse ou présente un défaut de fabrication pendant la durée de la garantie, les réparations ou remplacements de pièces seront effectués par un dépositaire d'entretien de garantie agréé par Generac.

RESPONSABILITÉS DE GARANTIE DU PROPRIÉTAIRE :

En tant que propriétaire de l'appareil, vous êtes responsable de la réalisation de toute la maintenance nécessaire telle que listée dans le manuel d'entretien qui vous a été remis par l'usine. Aux fins de la garantie, Generac vous recommande de conserver tous les reçus relatifs à la maintenance effectuée sur votre génératrice, mais Generac ne peut pas refuser la garantie uniquement en raison de la non-présentation des reçus.

Vous devez cependant savoir que Generac pourra refuser tout et / ou partie de la couverture de la garantie ou de la responsabilité si votre appareil et / ou toute pièce de celle-ci ne fonctionne plus du fait d'un usage abusif, d'une négligence, d'une mauvaise maintenance ou de modifications non approuvées.

Vous êtes chargé de contacter un dépositaire de garantie agréé par Generac dès qu'un problème se présente. Les réparations effectuées dans le cadre de la garantie devront être faites dans une période raisonnable, inférieure à 30 jours.

Le service de garantie peut être organisé en contactant votre dépositaire ou un dépositaire de service de garantie agréé par Generac. Pour connaître le dépositaire de service de garantie agréé par Generac situé le plus près, appeler notre numéro ci-dessous, ou envoyer un courrier à emissions@generac.com.

1-800-333-1322

REMARQUE IMPORTANTE : Cet énoncé de garantie explique vos droits et obligations dans le cadre de la garantie du Système de Contrôle des Émissions qui vous est fournie par Generac conformément au droit de l'État fédéral. Consulter également les « Garanties limitées de Generac pour Generac Power Systems, Inc. » jointes au présent document sur un feuillet séparé, qui vous est également remis par Generac. Veuillez noter que la présente garantie ne s'applique pas aux dommages accessoires, importants ou indirects causés par des défaillances matérielles ou de fabrication, ou par tout retard de réparation ou de remplacement de la ou des pièce(s) défectueuses. La présente garantie remplace toutes les autres garanties, implicites ou explicites. En particulier, Generac n'émet aucune garantie de conformité ou d'usage pour un objectif particulier. Certains États et provinces ne permettent pas la limitation de la durée des garanties implicites. Toutes les garanties implicites qui sont autorisées par loi, seront limitées dans la durée selon les termes de la présente garantie. La limitation mentionnée ci-dessus pourrait donc ne pas s'appliquer à votre cas.

La garantie du SCE ne s'applique qu'au système de contrôle des émissions de votre nouvel équipement. Les garanties du SCE et de Generac décrivent les droits et obligations importantes relatives à votre nouvel équipement.

Le service de garantie ne peut être réalisé que par une entreprise de service agréée par Generac. En cas de demande du service de garantie, des preuves mentionnant la date de vente à l'acquéreur / au propriétaire d'origine doivent être présentées.

Pour toute question concernant vos droits et responsabilités de garantie, merci de contacter Generac à l'adresse suivante :

**ATTENTION WARRANTY DEPARTMENT
GENERAC POWER SYSTEMS, INC.
P.O. BOX (boîte postale) 297 • WHITEWATER, WI 53190**

GARANTIE DU SYSTÈME DE CONTRÔLE DES ÉMISSIONS

Garantie du Système de Contrôle des Émissions (garantie du SCE) pour l'équipement utilisant de petits moteurs à allumage commandé :

- (a) Applicabilité : la présente garantie s'applique à l'équipement qui utilise de petits moteurs hors route. La période de la garantie du SCE commencera à la date d'achat / de livraison du nouvel équipement à son acquéreur / propriétaire d'origine, final, et durera pour moins de :
- (1) La période de temps spécifiée dans la présente Garantie limitée de Generac, mais pas moins de 24 mois, ou
 - (2) Pour les moteurs équipés d'un compteur horaire, un certain nombre d'heures de fonctionnement égale à la moitié de la durée de vie utile du moteur. La durée de vie utile peut est indiquée sur l'étiquette de contrôle des émissions sur le moteur.
- (b) Couverture générale de garantie d'émissions : Generac garantit à l'acquéreur / au propriétaire d'origine, final, du nouveau moteur ou équipement et à chacun des acquéreurs / propriétaires suivant que lorsqu'il est installé le SCE :
- (1) Est conçu, construit et équipé dans le respect de toutes les réglementations applicables ; et
 - (2) Ne comporte aucune pièce défectueuse ni ne présente aucun défaut de fabrication à tout moment de la période de garantie du SCE.
- (c) La garantie sur les pièces relatives aux émissions sera interprétée de la façon suivante :
- (1) Toute pièce garantie, dont le remplacement n'est pas prévu au cours des maintenances obligatoires mentionnées dans le Manuel d'entretien sera garantie pour toute la durée de la Garantie du SCE. Si l'une de ces pièces devient défectueuse pendant la durée de la Garantie du SCE, elle sera réparée ou remplacée par Generac conformément au paragraphe (4) qui suit. Ces pièces réparées ou remplacées dans le cadre de la Garantie du SCE seront garanties pour le reste de la durée de la Garantie du SCE.
 - (2) Toute pièce garantie dont il est prévu une inspection régulière dans le Manuel d'entretien sera garantie pendant toute la durée de la Garantie du SCE. Toute déclaration au niveau du Manuel d'entretien et relative à l'effet de « réparation ou remplacement si nécessaire » ne réduira pas la durée de la Garantie du SCE. Ces pièces réparées ou remplacées dans le cadre de la Garantie du SCE seront garanties pour le reste de la durée de la Garantie du SCE.
 - (3) Toute pièce garantie, dont le remplacement est pas prévu au cours des maintenances obligatoires mentionnées dans le Manuel d'entretien sera garantie pour la période précédant la date du premier remplacement prévu. Si la pièce devient défectueuse avant le premier remplacement prévu, elle sera réparée ou remplacée par Generac, conformément au paragraphe (4) qui suit. Ces pièces relatives aux émissions réparées ou remplacées dans le cadre de la Garantie du SCE seront garanties pour le reste de la durée précédant la date de leur premier remplacement prévu.
 - (4) La réparation ou le remplacement de toute pièce relative aux émissions et garantie dans le cadre de la Garantie du SCE sera réalisé sans frais pour le propriétaire dans un service de garantie agréé par Generac.
 - (5) Nonobstant les dispositions de la sous-section (4) ci-dessus, les services ou réparations sous garantie doivent être effectués aux centres d'entretien agréés par Generac.
 - (6) Si le moteur est inspecté par un service de garantie agréé par Generac, les frais de diagnostic ne seront pas à la charge de l'acquéreur / du propriétaire si la réparation entre dans le cadre de la garantie.
 - (7) Generac est tenu, pendant la durée de la Garantie du SCE, de conserver un stock de pièces relatives aux émissions et garanties suffisant afin de répondre à la demande desdites pièces.
 - (8) Toute pièce de rechange relative aux émissions agréée et approuvée par Generac pourra être utilisée pour la réalisation de toute maintenance ou réparation effectuée dans le cadre de la garantie du SCE et sera fournie sans frais à la charge de l'acquéreur / du propriétaire. Cette utilisation ne réduira pas les obligations de Generac dans le cadre de la Garantie du SCE.
 - (9) Aucune modification, autres que celles explicitement approuvées par Generac, ne peuvent être apportées à la génératrice. Les modifications non approuvées annulent la Garantie du SCE et constituera un motif suffisant pour rejeter toute demande de bénéfice de la Garantie du SCE.
 - (10) Generac ne sera pas responsable des défaillances des pièces de rechange non autorisées, ou défaillance des pièces autorisées causées par l'utilisation de pièces de rechange non autorisées.

LES PIÈCES RELATIVES AUX ÉMISSIONS PEUVENT INCLURE CE QUI SUIT (LE CAS ÉCHÉANT) :

- | | |
|--|------------------------------|
| 1) DISPOSITIF MESUREUR DE CARBURANT | 3) SYSTÈME D'ALLUMAGE |
| A. CARBURATEUR ET PIÈCES INTERNES | A. BOUGIES D'ALLUMAGE |
| B. CAPUCHON/RÉSERVOIR DE CARBURANT | B. MODULE/BOBINES D'ALLUMAGE |
| C. CANALISATIONS DE CARBURANT | 4) SYSTÈME D'ADMISSION D'AIR |
| D. CANALISATION DE TUYAUX D'ÉVACUATION | A. SOUPEPE À IMPULSION D'AIR |
| E. RÉGULATEUR (CARBURANTS GAZEUX) | 5) SYSTÈME D'ÉCHAPPEMENT |
| 2) SYSTÈME D'ADMISSION D'AIR | A. CATALYSEUR |
| A. COLLECTEUR D'ADMISSION | B. COLLECTEUR D'ÉCHAPPEMENT |
| B. FILTRE À AIR | |