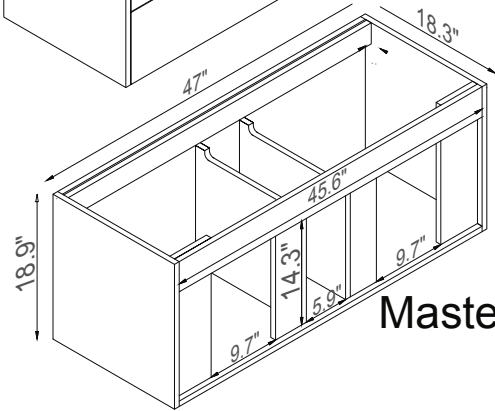
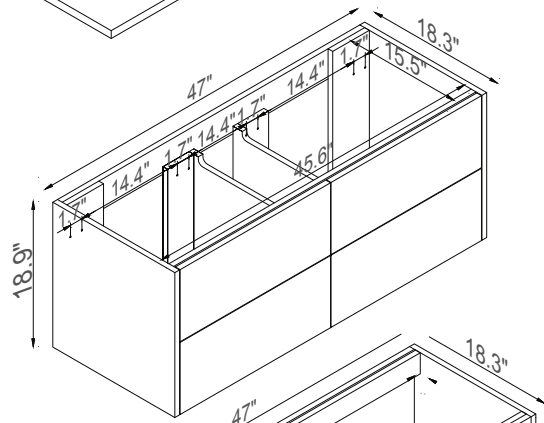
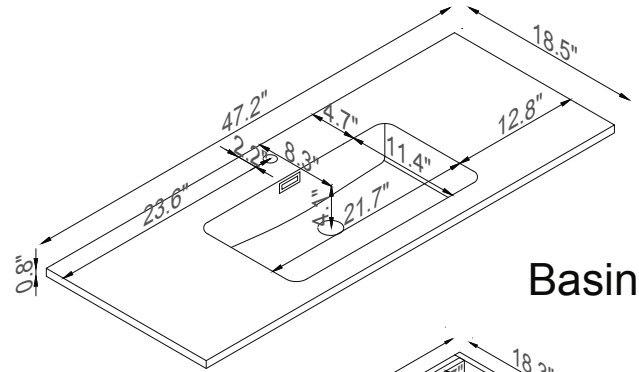
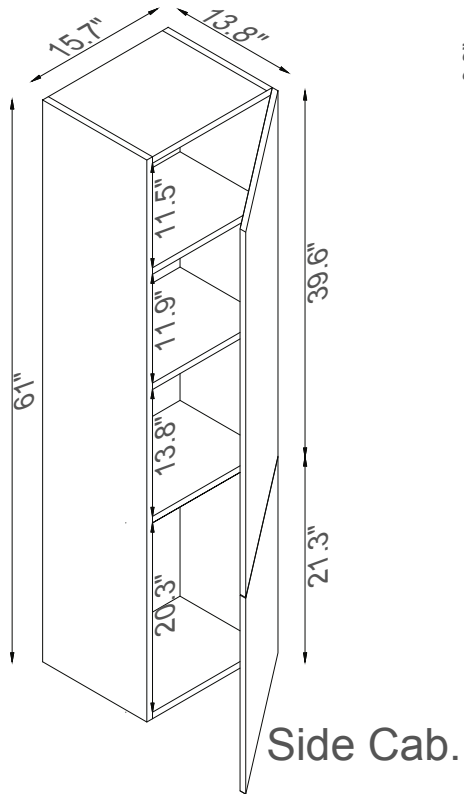




Streamline



Master Cabinet

K1500-161-48-511S