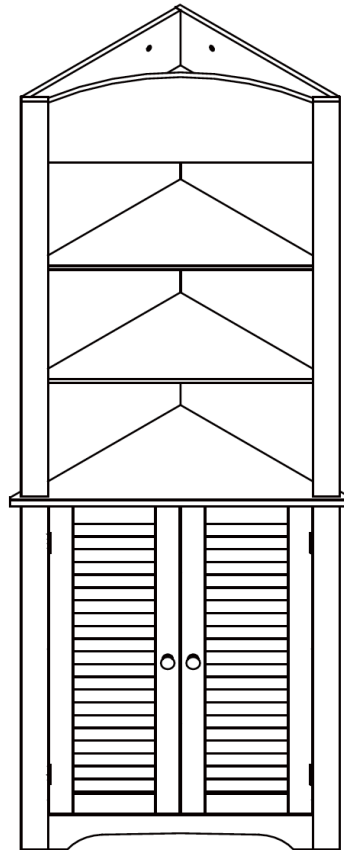




ASSEMBLY INSTRUCTIONS



RiverRidge® Ellsworth Tall Corner Cabinet

ITEM#: 06-027 White
ITEM#: 06-028 Espresso
ITEM#: 06-127 Taupe

ADULT ASSEMBLY REQUIRED

This product requires assembly by an adult because of small parts. Care should be taken in unpacking and assembling this item to keep small parts away from children. During assembly children should be kept away from the product due to possible risk of injury.

WARNING SEE FULL WARNING ON PAGE 2

Young children can be seriously injured or killed if furniture tips over. Don't use this item for a TV stand or place heavy objects on top of item. Always use angle-braces or anchors to secure furniture to the wall.

THIS SHELF UNIT WILL HOLD UP TO 25 POUNDS PER SHELF OR A TOTAL OF 125 POUNDS. DO NOT LOAD EACH SHELF WITH MORE THAN 25 POUNDS OR 125 POUNDS TOTAL WEIGHT. OVERLOADING MAY CAUSE DAMAGE TO THE SHELF AND MAY CAUSE SERIOUS INJURY OR DEATH.

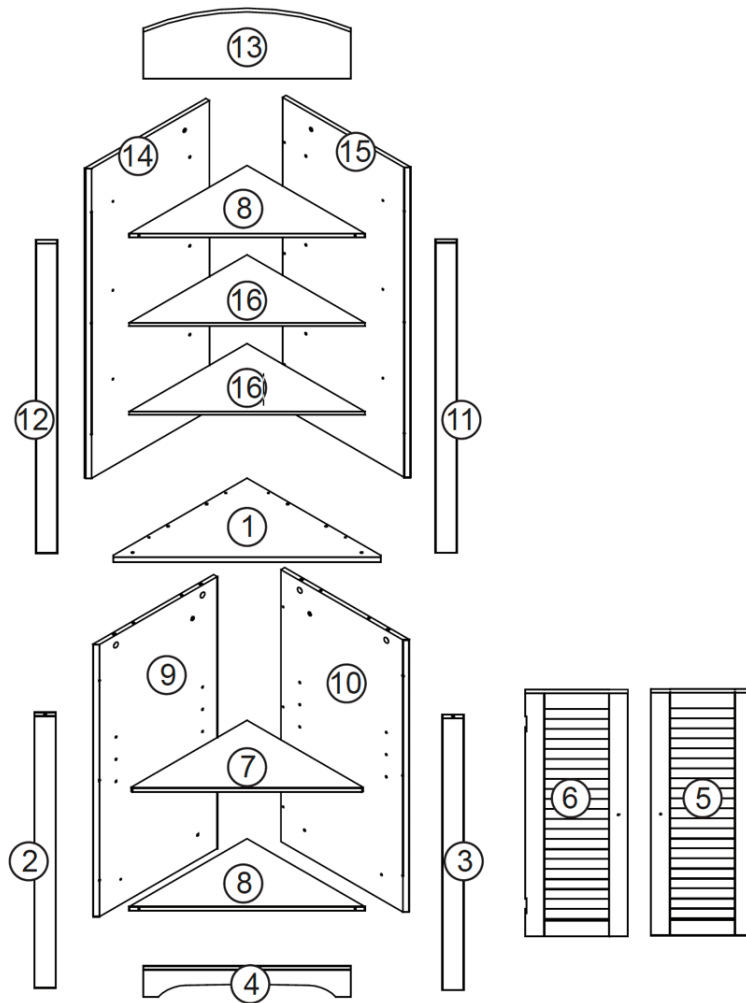


WARNING

SERIOUS OR FATAL INJURIES CAN OCCUR FROM FURNITURE TIP-OVER. TO HELP PREVENT TIP-OVER:

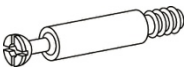


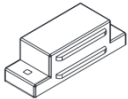


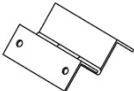




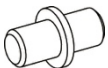




- **Always use tip over restraints and/or wall anchors to secure furniture to the wall**
- **Place heaviest items in the lowest drawers/bins or shelves**
- **Do not set TV's or other heavy objects on the top of this product**
- **Never allow children to climb or hang on to the drawers/bins, doors or shelves of furniture**
- **Never open more than one drawer at a time or defeat or remove any drawer interlock system**

PARTS LIST



NO	QTY	DESCRIPTION
1	1PC	Middle Connection Board
2	1PC	Left Lower Support Board
3	1PC	Right Lower Support Board
4	1PC	Lower Cross Bar
5	1PC	Right Side Door
6	1PC	Left Side Door
7	1PC	Adjustable Shelf
8	2PCS	Top & Bottom Fixed Shelf
9	1PC	Left Lower Side Panel
10	1PC	Right Lower Side Panel
11	1PC	Right Upper Support Board
12	1PC	Left Upper Support Board
13	1PC	Top Cross Board
14	1PC	Left Upper Side Panel
15	1PC	Right Upper Side Panel
16	2PCS	Top Open Shelf

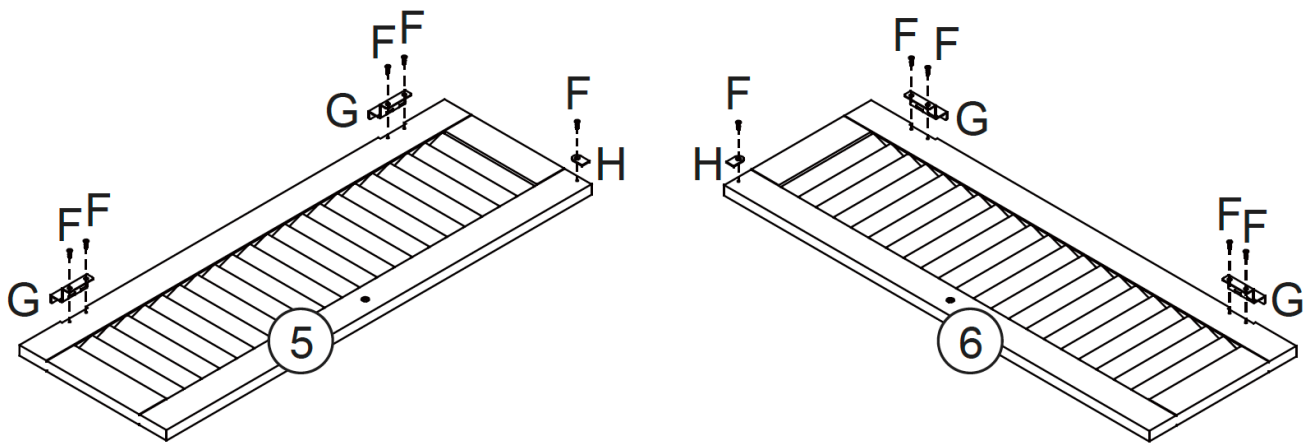
PARTS LIST

NO	PARTS	QTY	DESCRIPTION
A		4PCS	Cam Bolt
B		4PCS	Cam Lock
C		24PCS	Wood Dowel
D		1PC	Magnet
E		2PCS	Screw (3x14mm)
F		18PCS	Screw (3x10mm)
G		4PCS	Hinge
H		2PCS	Magnet Plate
I		30PCS	Screw (4x25mm)
J		2PCS	Knob
K		2PCS	Machine Screw (4x18mm)
L		4PCS	Shelf Holder
M		4PCS	Screw (4x35mm)
N		2PCS	Long Wood Dowel
O		4PCS	Plastic Anchor
P		4PCS	Screw (4x45mm)

**TOOLS NEEDED FOR ASSEMBLY: FLAT & PHILLIPS SCREWDRIVER (NOT INCLUDED)
THE USE OF A POWER SCREWDRIVER IS NOT RECOMMENDED FOR ASSEMBLY
DO NOT USE ITEM IF ANY PARTS ARE MISSING OR DAMAGED**

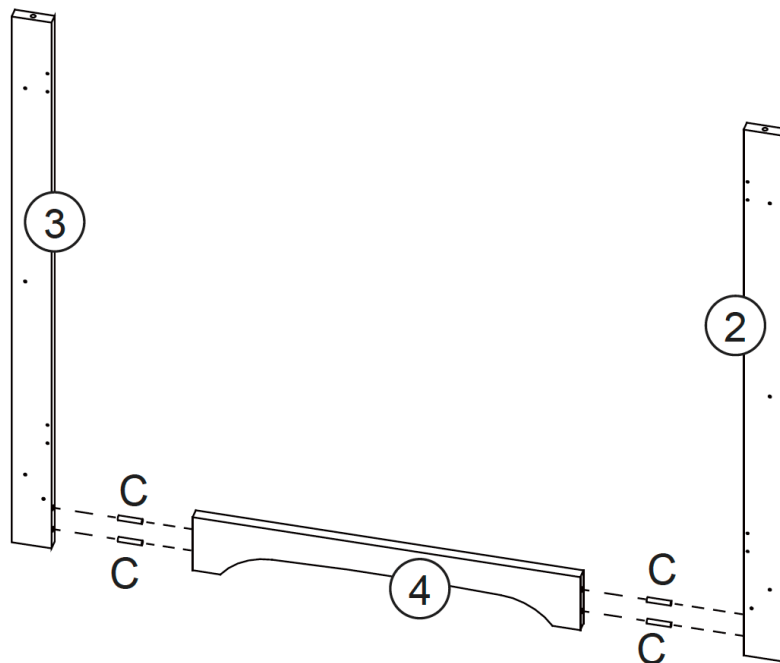
To order replacement parts at no cost to you, email customer.service@ssi-rr.com, call 1-(844)-223-5201 or order parts online at www.riverridgehome.com. Only valid in the United States. If purchased outside of the United States, please contact retailer where purchased.

STEP 1



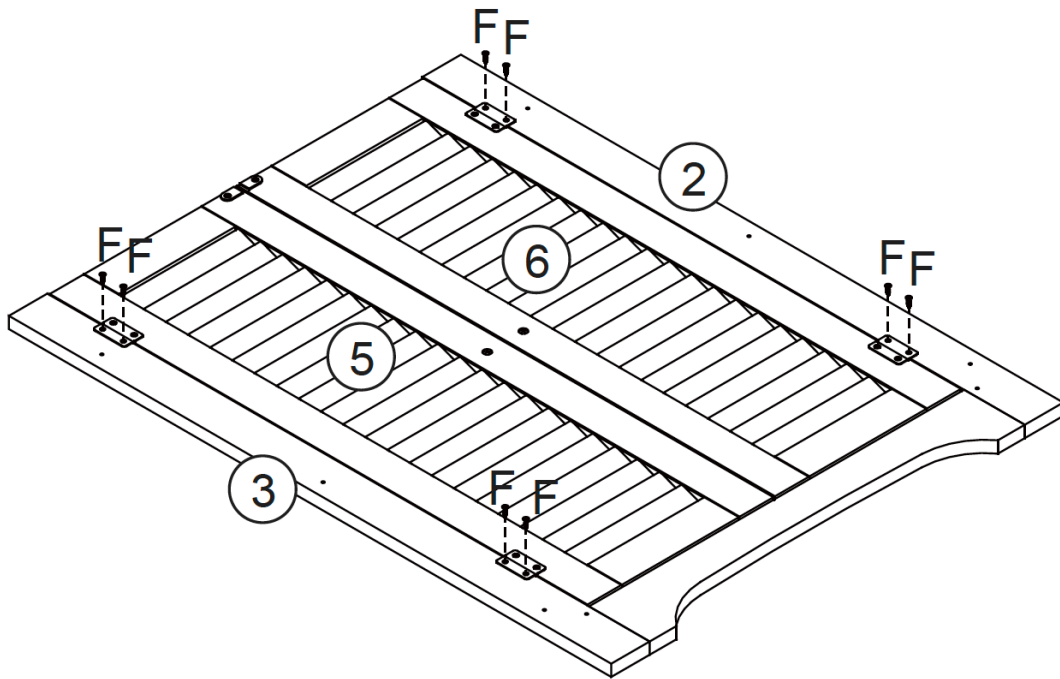
1. Insert 1 wood screw (F) through hole in magnet plate (H) and tighten to right side door (5).
2. Insert 4 wood screws (F) through holes in 2 hinges (G) and tighten to right side door (5).
3. Repeat above steps to assemble magnet plate (H) and 2 hinges (G) to left side door (6).

STEP 2



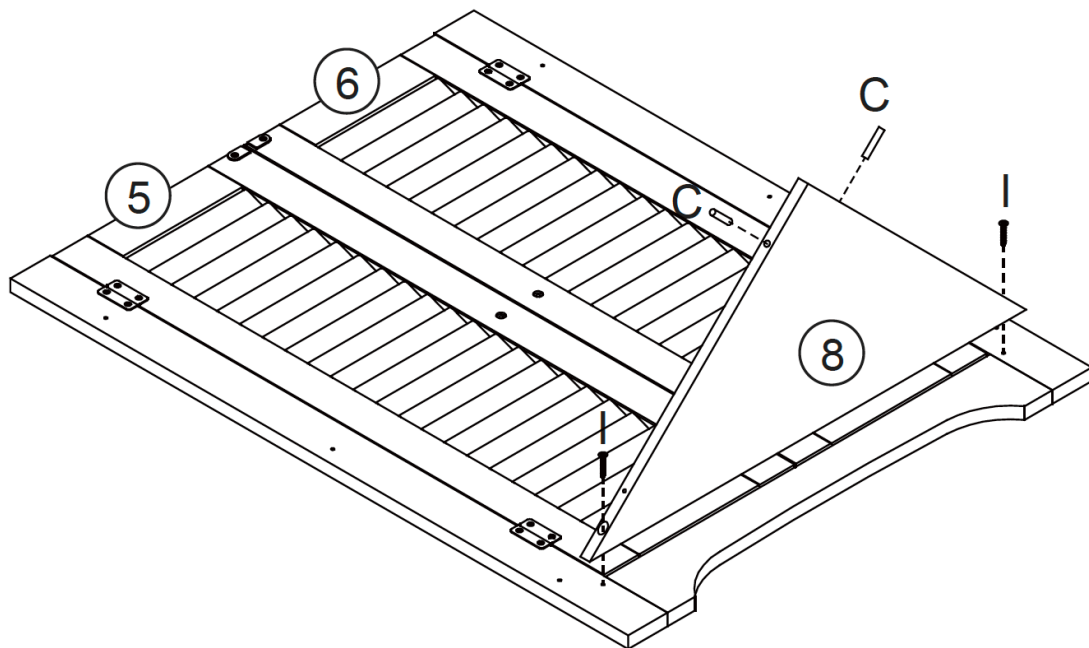
1. Insert 4 wood dowels (C) into wood dowel holes on each end of lower cross bar (4).
2. Attach left lower support board (2) to lower cross bar (4) by inserting wood dowels into wood dowel holes on left lower support board (2).
3. Attach right lower support board (3) to lower cross bar (4) by inserting wood dowels into wood dowel holes on right lower support board (3).

STEP 3



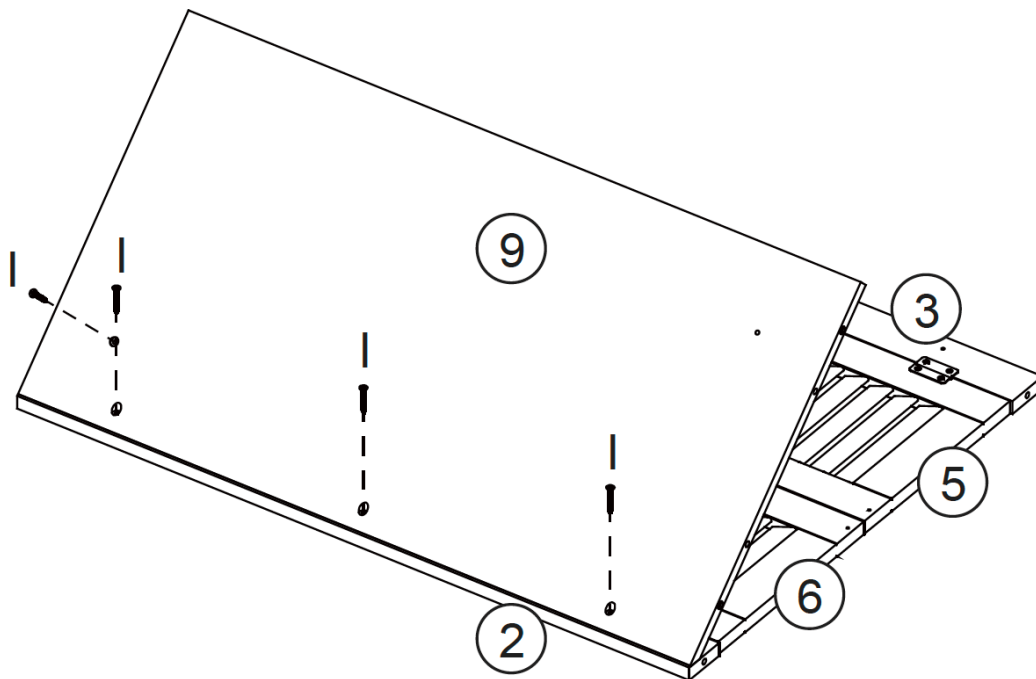
1. Attach right side door (5) and left side door (6) to left lower support board (2) and right lower support board (3) by inserting 8 wood screws (F) through holes in hinges (G) on right side door (5) and left side door (6) and tighten to left lower support board (2) and right lower support board (3).

STEP 4



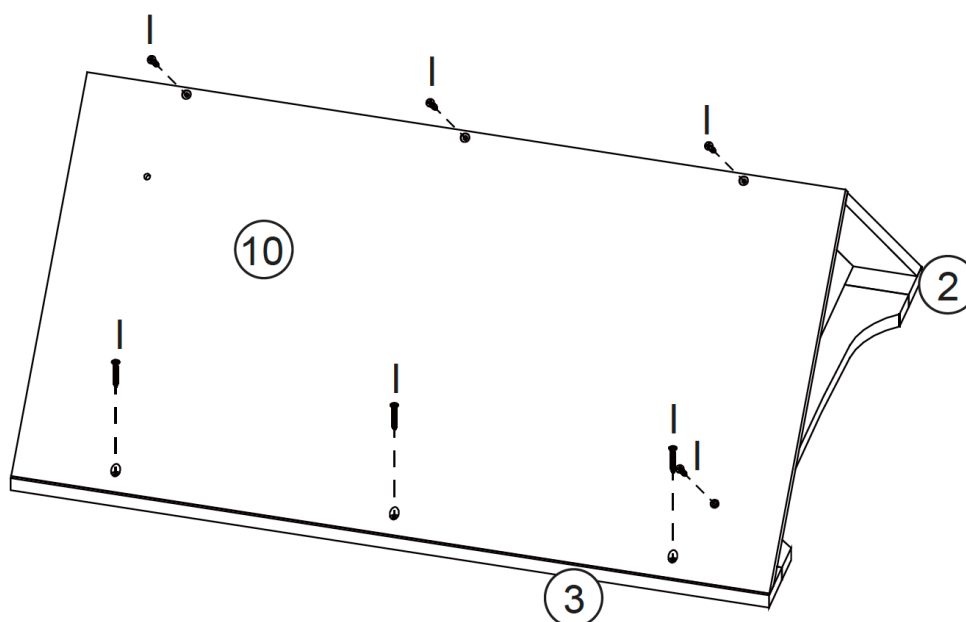
1. Attach shelf (8) to both lower side support boards (2), (3) by inserting 2 wood screws (I) through holes on shelf (8) and tighten to left lower support board (2) and right lower support board (3). Do not overtighten.
2. Insert 2 wood dowels (C) into dowel holes on shelf (8).

STEP 5



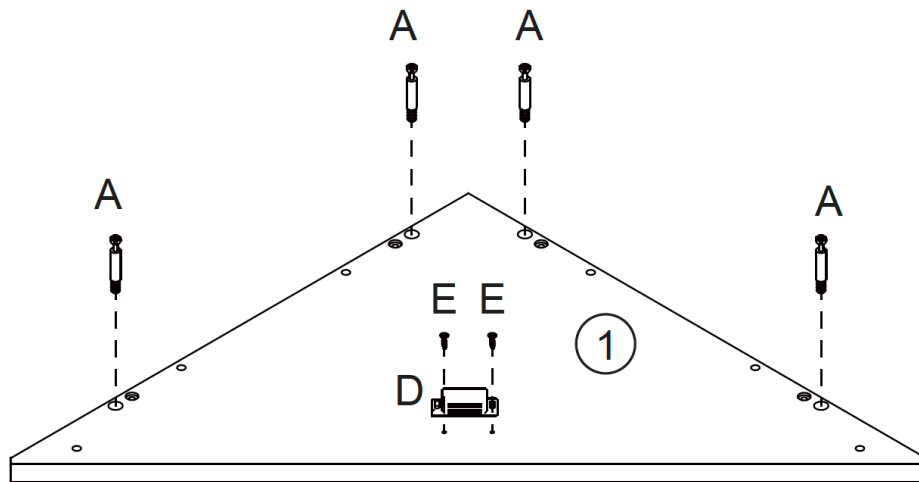
1. Attach left lower side panel (9) to left lower support board (2) and shelf (8) by inserting wooden dowel (C) into dowel hole in left lower side panel (9).
2. Insert 4 wood screws (I) through holes in left lower side panel (9) and tighten to shelf (8) and left lower support board (2).

STEP 6



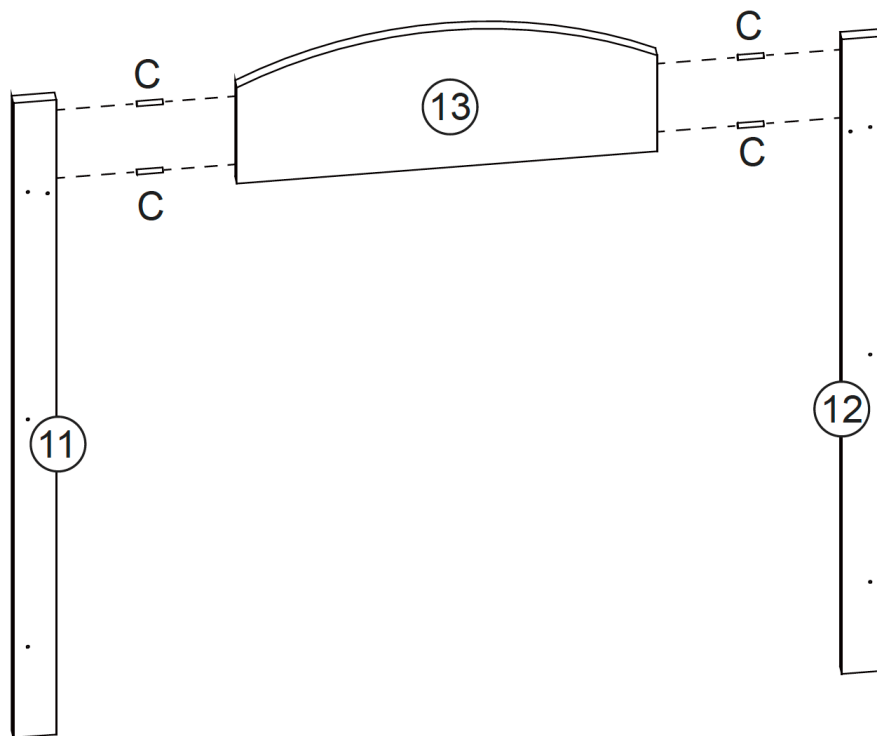
1. Attach right lower side panel (10) to shelf (8), right lower support board (3) and left lower side panel (9) by inserting 7 screws (I) through holes on right lower side panel (10) and tighten to shelf (8), right lower side support board (3) and left lower side panel (9).

STEP 7



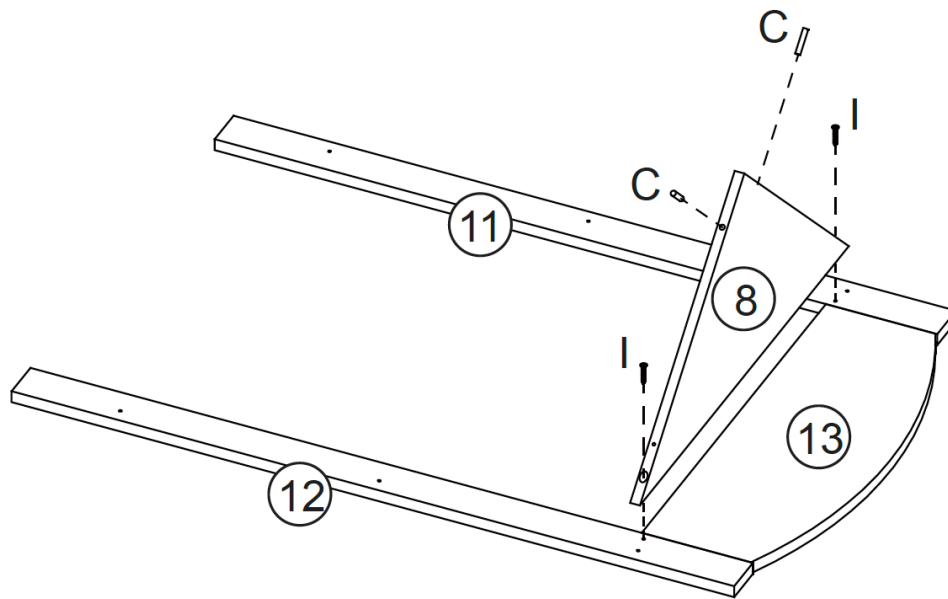
1. Screw 4 cam bolts (A) into cam bolt holes on middle connection board (1). Do not overtighten.
2. Attach magnet (D) to middle connection board (1) by inserting 2 screws (E) through holes on magnet (D) and tighten to middle connection board (1).

STEP 8



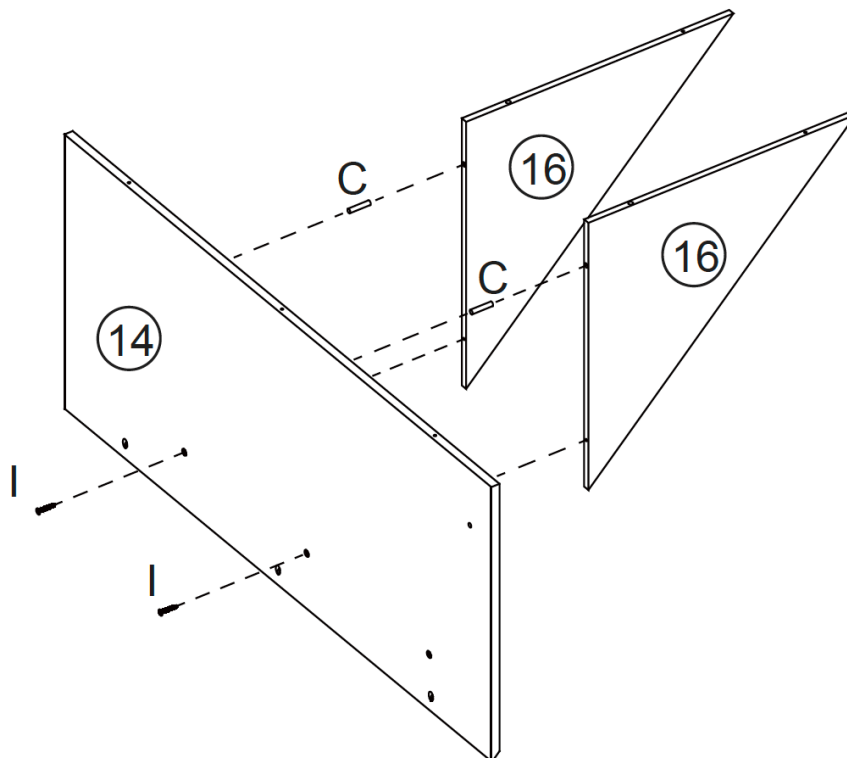
1. Insert 4 wood dowels (C) into wood dowel holes in end of top cross board (13).
2. Attach right upper support board (11) and left upper support board (12) to top cross board (13) by inserting wood dowels into wood dowel holes on right upper support board (11) and left upper support board (12).

STEP 9



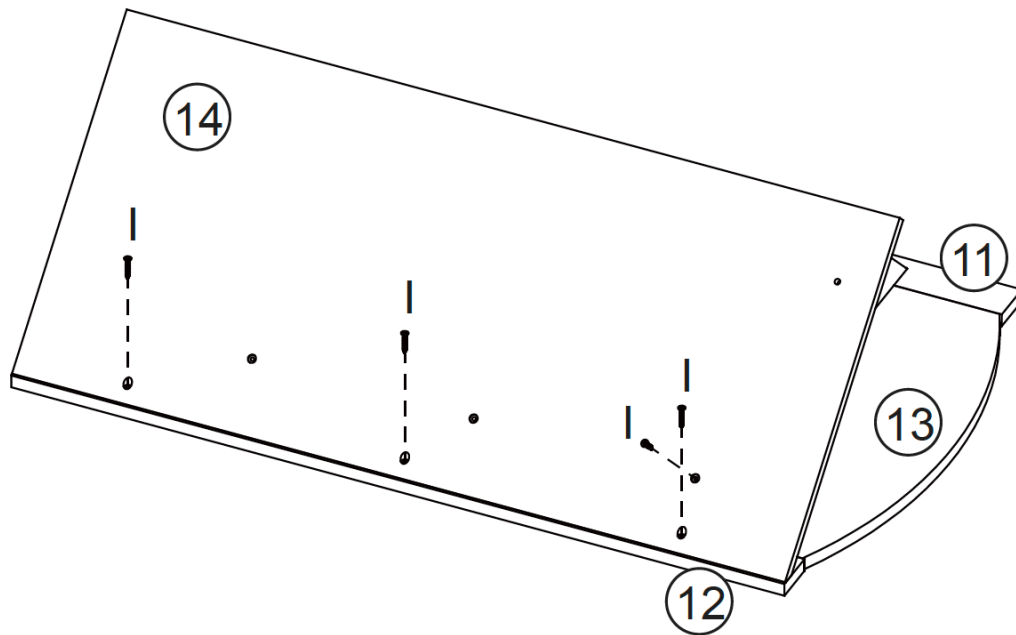
1. Attach shelf (8) to both upper support boards (11) and (12) by inserting 2 screws (l) through holes on shelf (8) and tighten to left upper support board (12) and right upper support board (11). Do not overtighten.
2. Insert 2 wood dowels (C) into dowel holes on shelf (8).

STEP 10



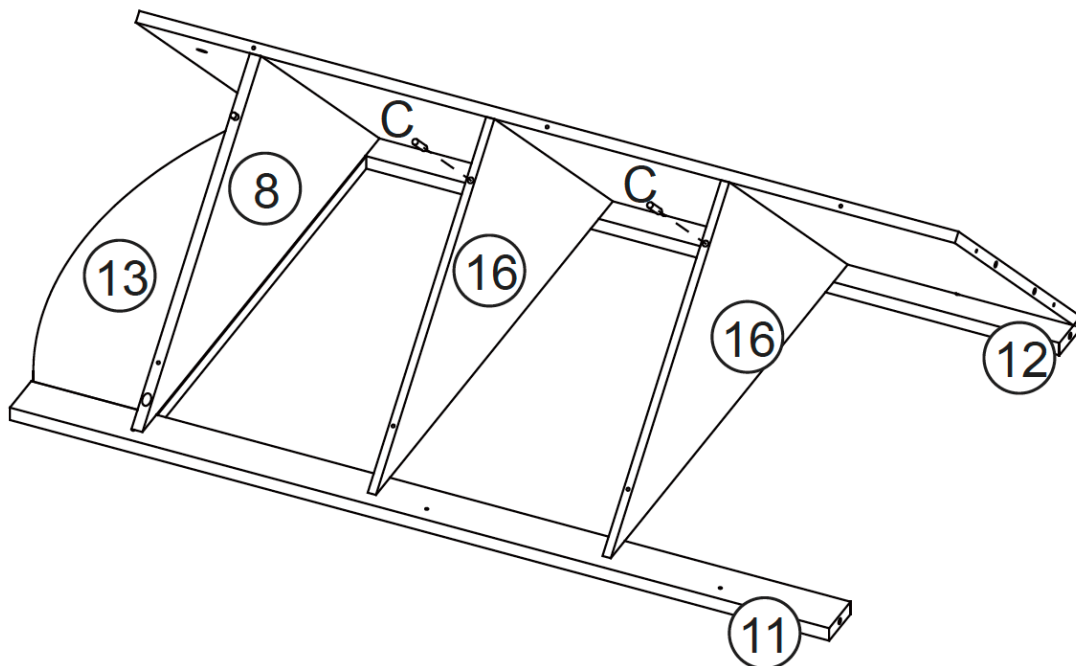
1. Insert 2 wood dowels (C) into wood dowel holes on each shelf (16).
2. Attach 2 shelves (16) to left upper side panel (14) by inserting 2 wood dowels (C) into wood dowel holes on left upper side panel (14) and inserting 2 wood screws (l) through holes on left upper side panel (14) and tighten to shelf (16).

STEP 11



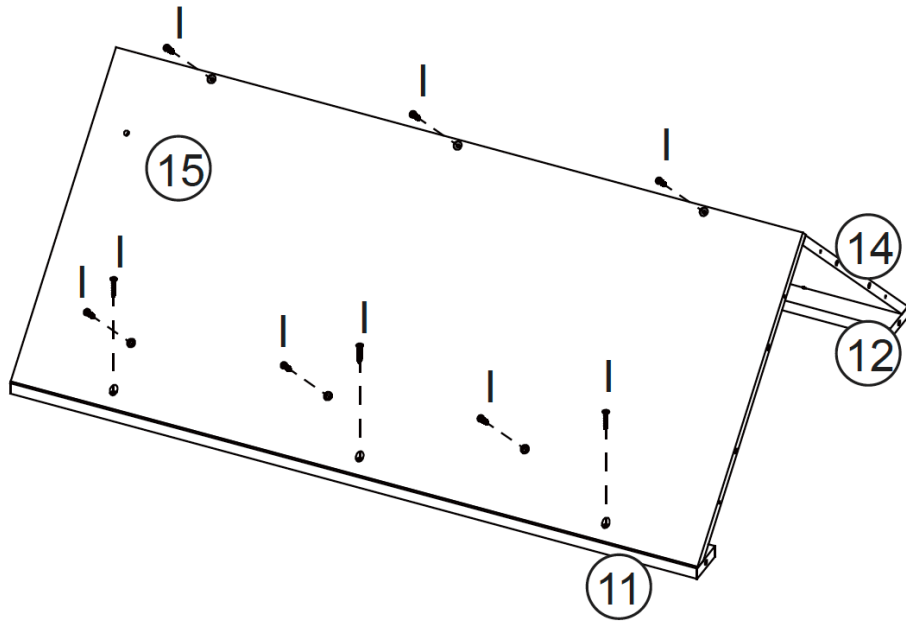
1. Attach left upper side panel (14) to shelves (16) and left upper support board (12) and shelf (8) by inserting wood dowels (C) into wood dowel holes on inner side of left upper side panel (14).
2. Insert 4 wood screws (I) through holes on left upper side panel (14) and tighten to shelf (8) and left upper support board (12).

STEP 12



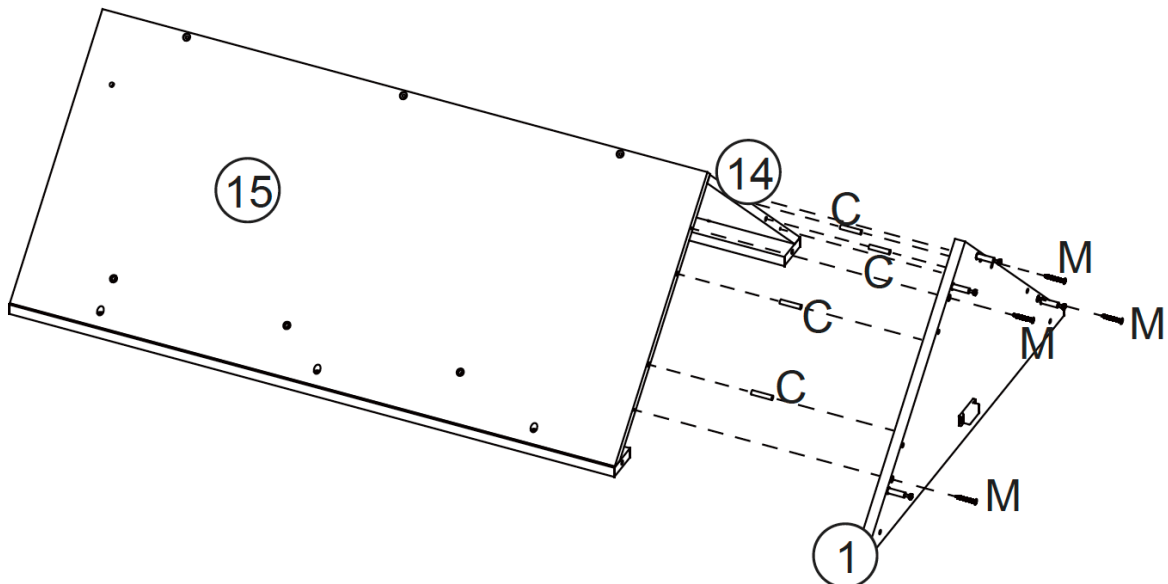
1. Insert 2 wood dowels (C) into wood dowel holes on shelves (16).

STEP 13



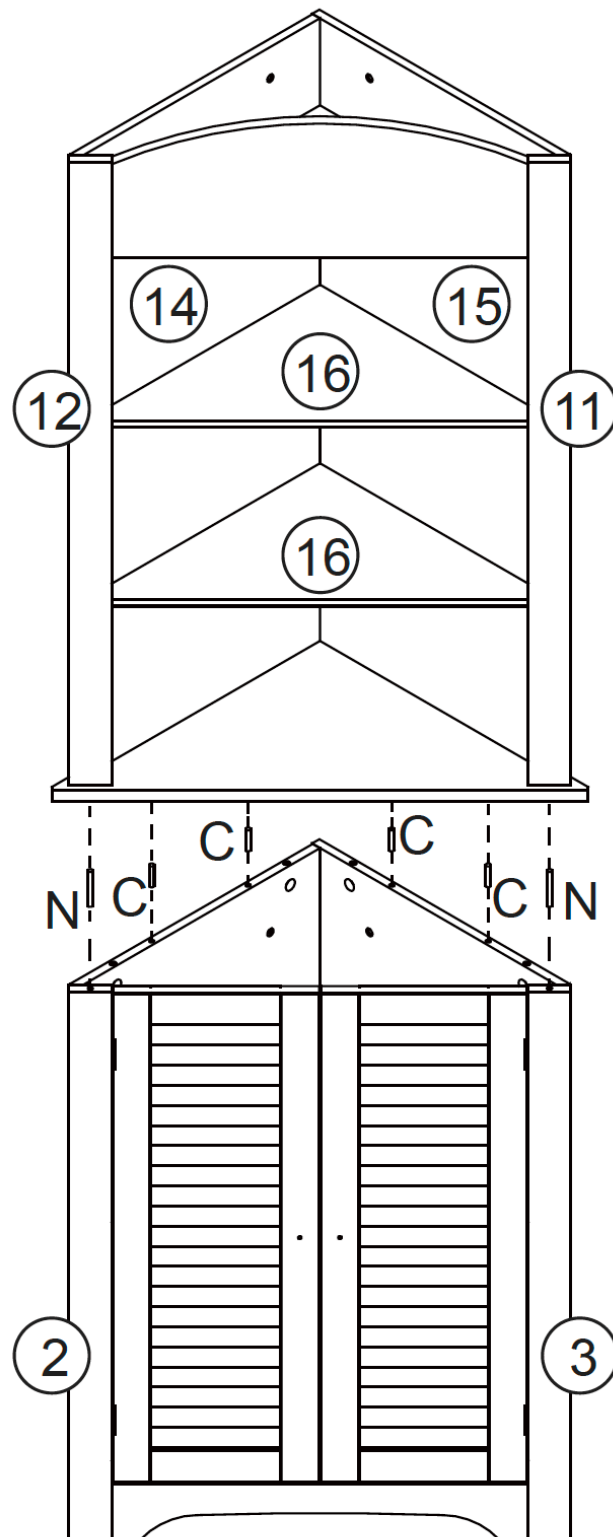
1. Attach right upper side panel (15) to left upper side panel (14), shelves (16) and shelf (8) by inserting wood dowels (C) on shelves (16) and shelf (8) into wood dowel holes on inner side of right upper side panel (15).
2. Insert 9 wood screws (I) through holes on right upper side panel (15) and tighten to shelf (8), shelves (16), right upper support board (11) and left upper side panel (14).

STEP 14



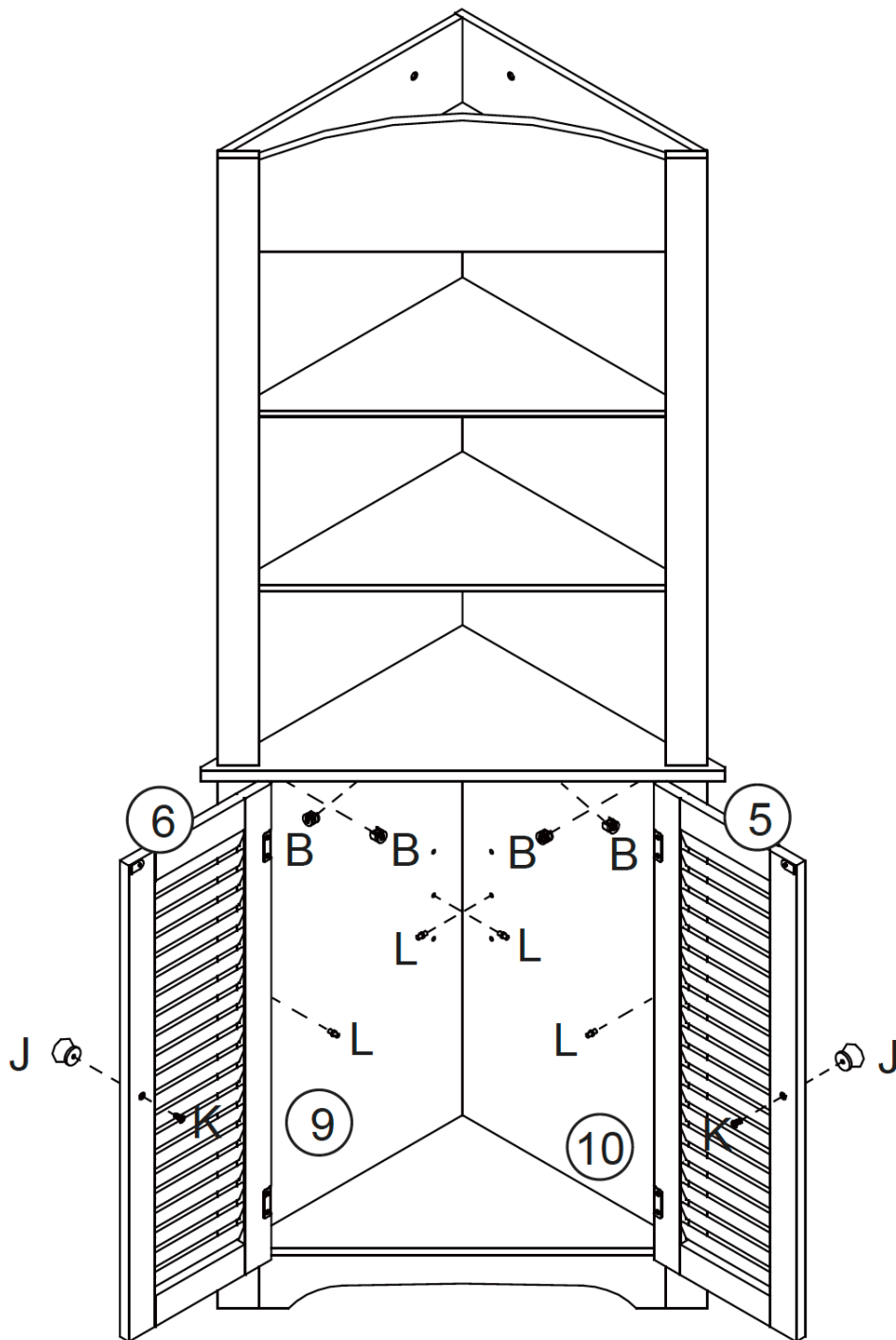
1. Insert 4 wood dowels (C) into wood dowel holes on end of left upper side panel (14) and right upper side panel (15).
2. Attach middle connection board (1) by inserting wooden dowels (C) into wood dowel holes on middle connection board (1) and insert 4 long wood screws (M) through holes on middle connection board (1) and tighten to left upper side panel (14) and right upper side panel (15).

STEP 15



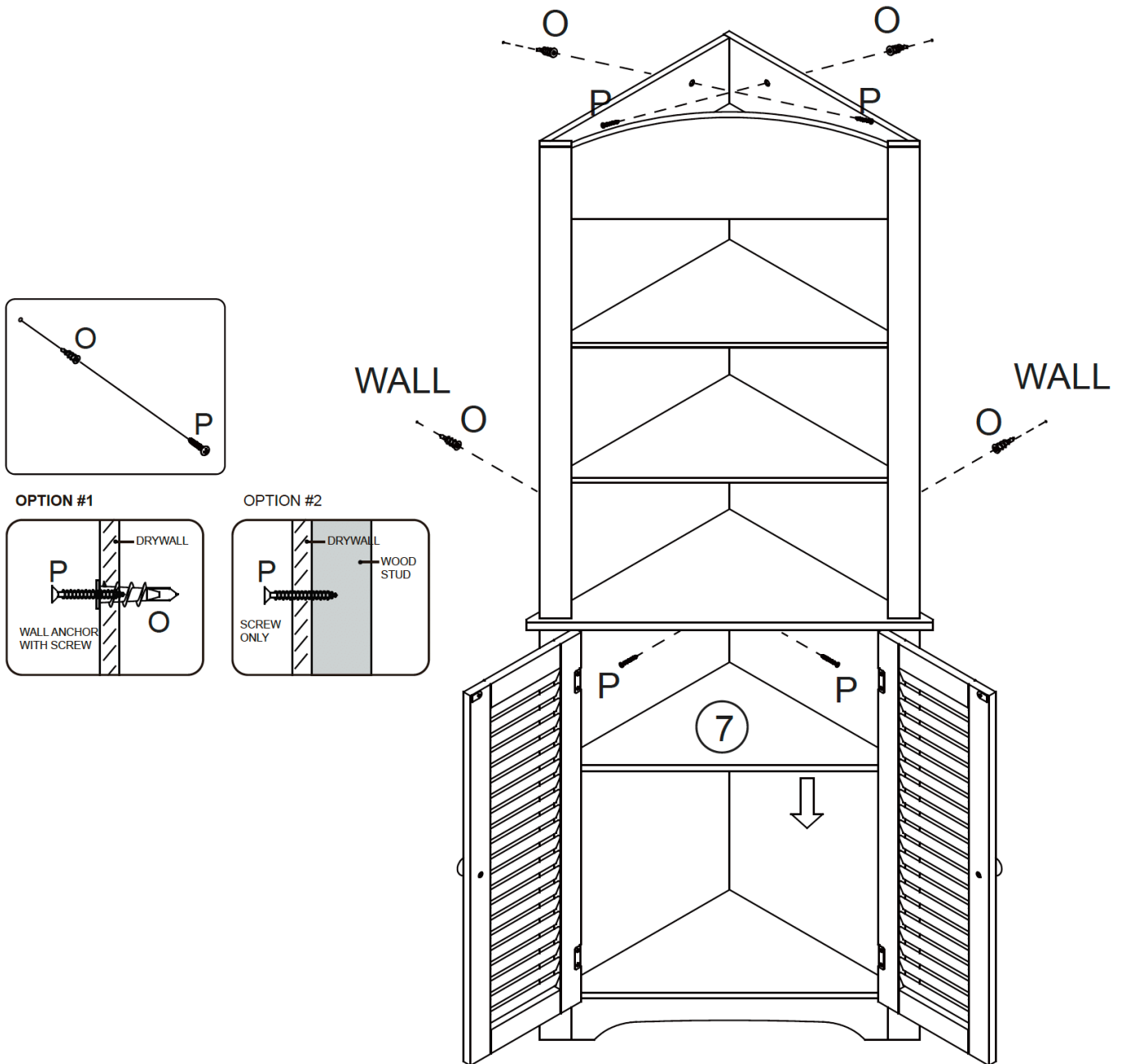
1. Insert 2 long wood dowels (N) and 4 wood dowels (C) into wood dowel holes on lower support boards (2) and (3) and lower side panels (9) and (10).
2. Two people may be required for this step. Attach upper unit to lower unit by inserting wooden dowels (C) and (N) into wood dowel holes on upper support boards (11) and (12) and upper side panels (14) and (15) and inserting 4 cam bolts (A) into cam lock holes on lower side panels (14) and (15).

STEP 16



1. Insert 4 cam locks (B) into cam lock holes on left lower side panel (9) and right lower side panel (10) and rotate cam locks (B) clockwise to lock cam bolts.
2. Insert 4 adjustable shelf holders (L) into holes on left lower side panel (9) and right lower side panel (10).
3. Insert 1 machine screw (K) through hole on left side door (6) and tighten to knob (J).
4. Repeat above step 3 to assemble knob to right door (5).

STEP 17



1. Place shelf (7) onto shelf holders (L).

Option #1: Securing to Drywall

1. Place cabinet against wall in desired location. Using a pencil, make 4 small marks on wall through holes on side panels. Move cabinet away from wall and screw 4 plastic anchors (O) into wall on pencil marks.
2. Place cabinet against wall, insert 4 screws (P) through holes on side panels, then tighten to plastic anchors (O).

Option #2: Securing to Drywall and Wood Stud

1. Place cabinet against wall in desired location. Insert 4 screws (P) through holes on side panels, then tighten through drywall and into wood stud.

ATTENTION ADULTS: Cabinet should be checked periodically for damage or loose screws/parts. Take appropriate action necessary to correct hazards such as tightening of screws and taking any damaged parts away from children.

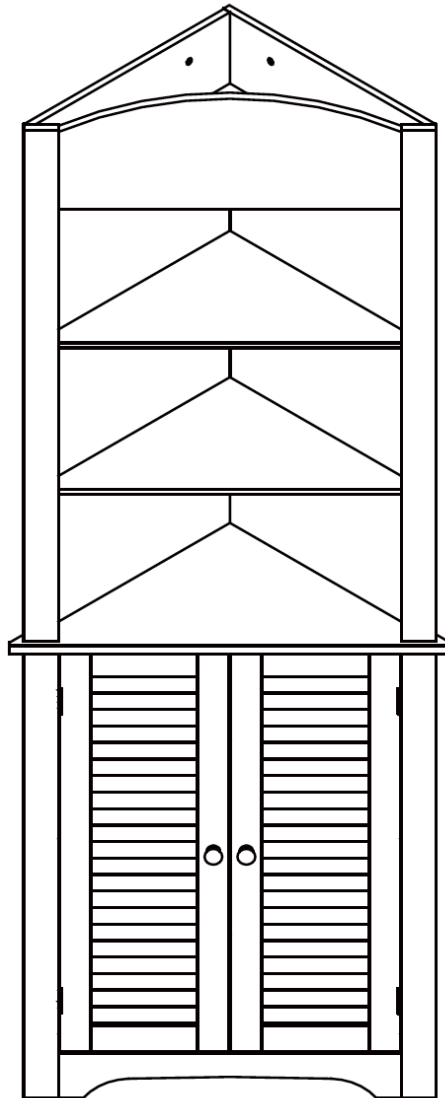
WARNING  **Please make sure your item is secured to the wall, per assembly instructions.**

CARE INSTRUCTIONS:

Wipe clean with a water dampened cloth. Wipe dry with clean cloth.

IMPORTANT:
Keep assembly instructions for future reference.

Enjoy your new RiverRidge® Cabinet!



Thank you for purchasing this RiverRidge® Home item. We hope you enjoy it and consider purchasing other RiverRidge® items.

To order replacement parts at no cost to you, email customer.service@ssi-rr.com, call 1-(844)-223-5201 or order parts online at www.riverridgehome.com. Only valid in the United States. If purchased outside of the United States, please contact retailer where purchased.



RiverRidge® is a registered trademark of Sourcing Solutions, Inc., Hudson, WI 54016