

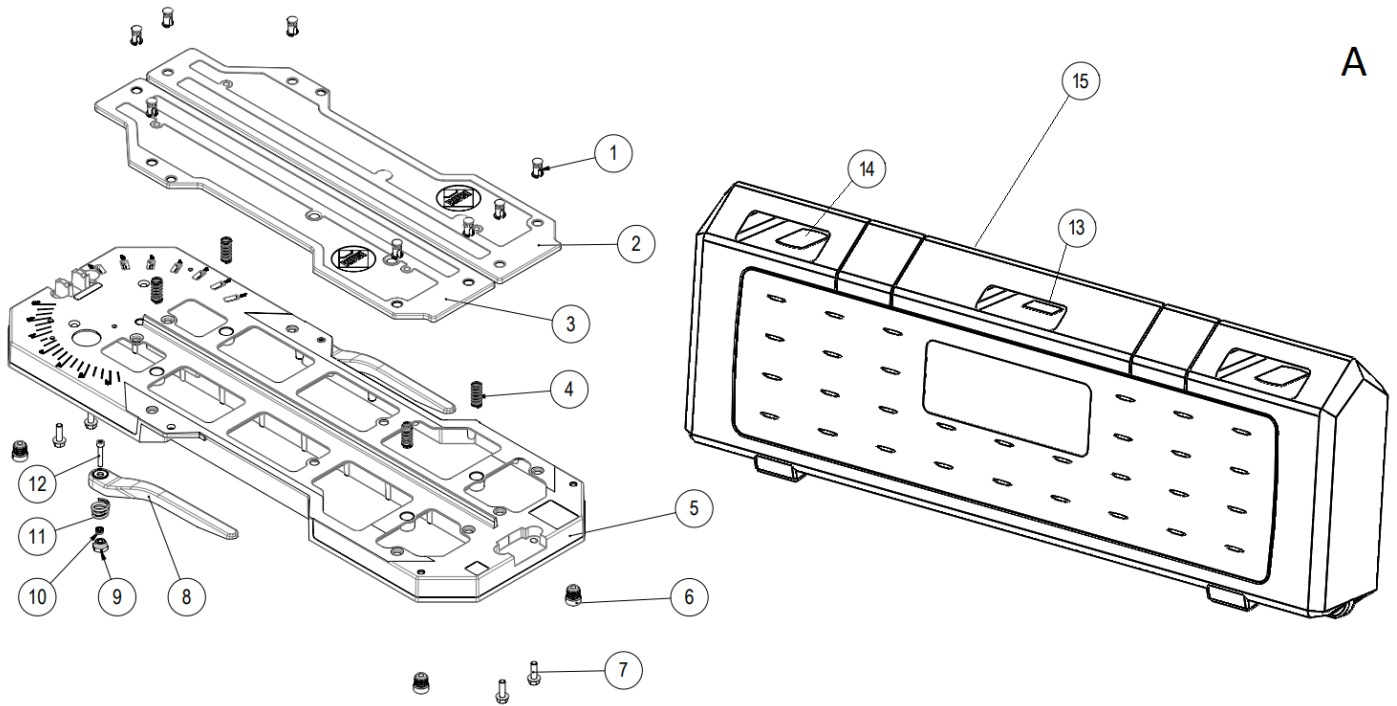
Part-list	ES	EN	Prod.
1	A	GRUPO BASE	BASE GROUP
2	B	GRUPO GUIAS	GRUIDE GROUP
3	C	GRUPO ESCUADRA	SQUARE GROUP
4	D	GRUPO PORTAHERRAMIENTAS	TOOLHOLDER GROUP

Prod.	ES	EN	From serial num.
17970	TX-700-N V2 -CORTADOR MANUAL	TX-700-N	17667
17971	TX-900-N V2 -CORTADOR MANUAL	TX-900-N	35680
17975	TX-700-N V2 INCH -CORTADOR MANUAL	TX-700-N V2 "INCH"	17667
17976	TX-900-N V2 INCH -CORTADOR MANUAL	TX-900-N V2 "INCH"	35680

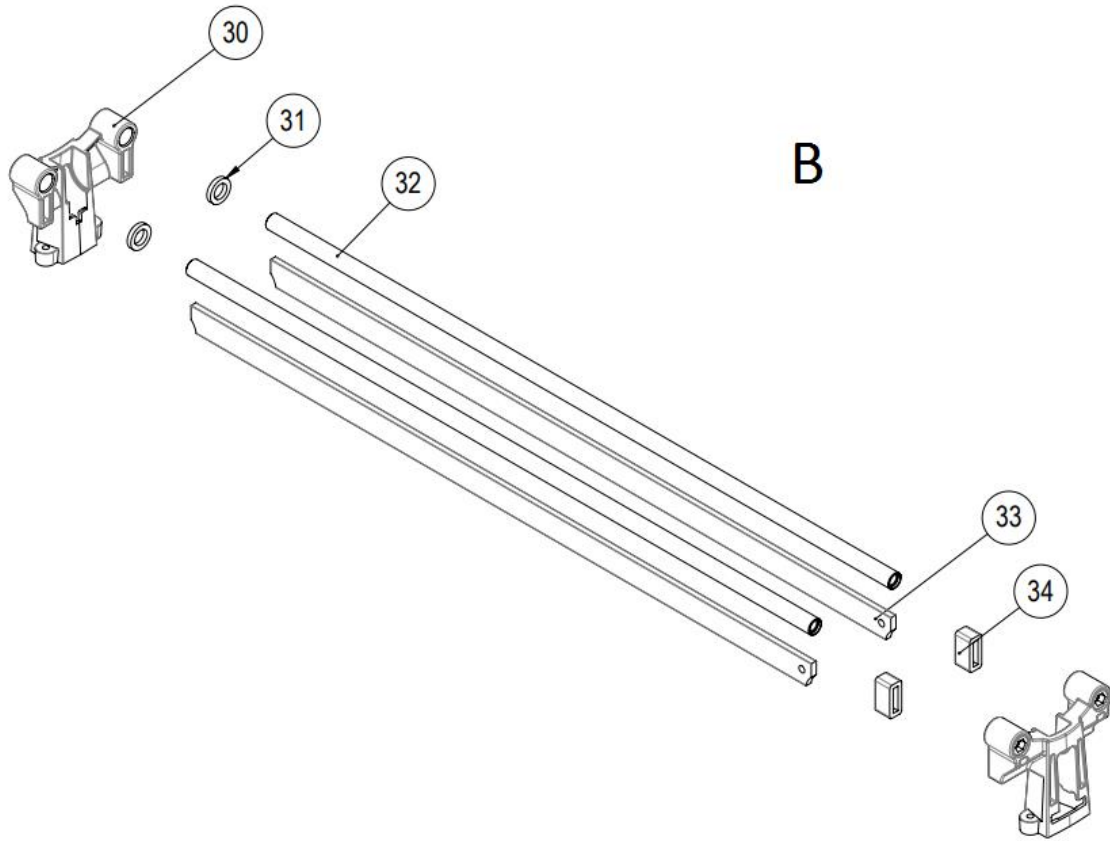
Queda reservado el derecho de introducir cualquier modificacion técnica sin previo aviso

We reserve the right to introduce any technical modification without previous notice

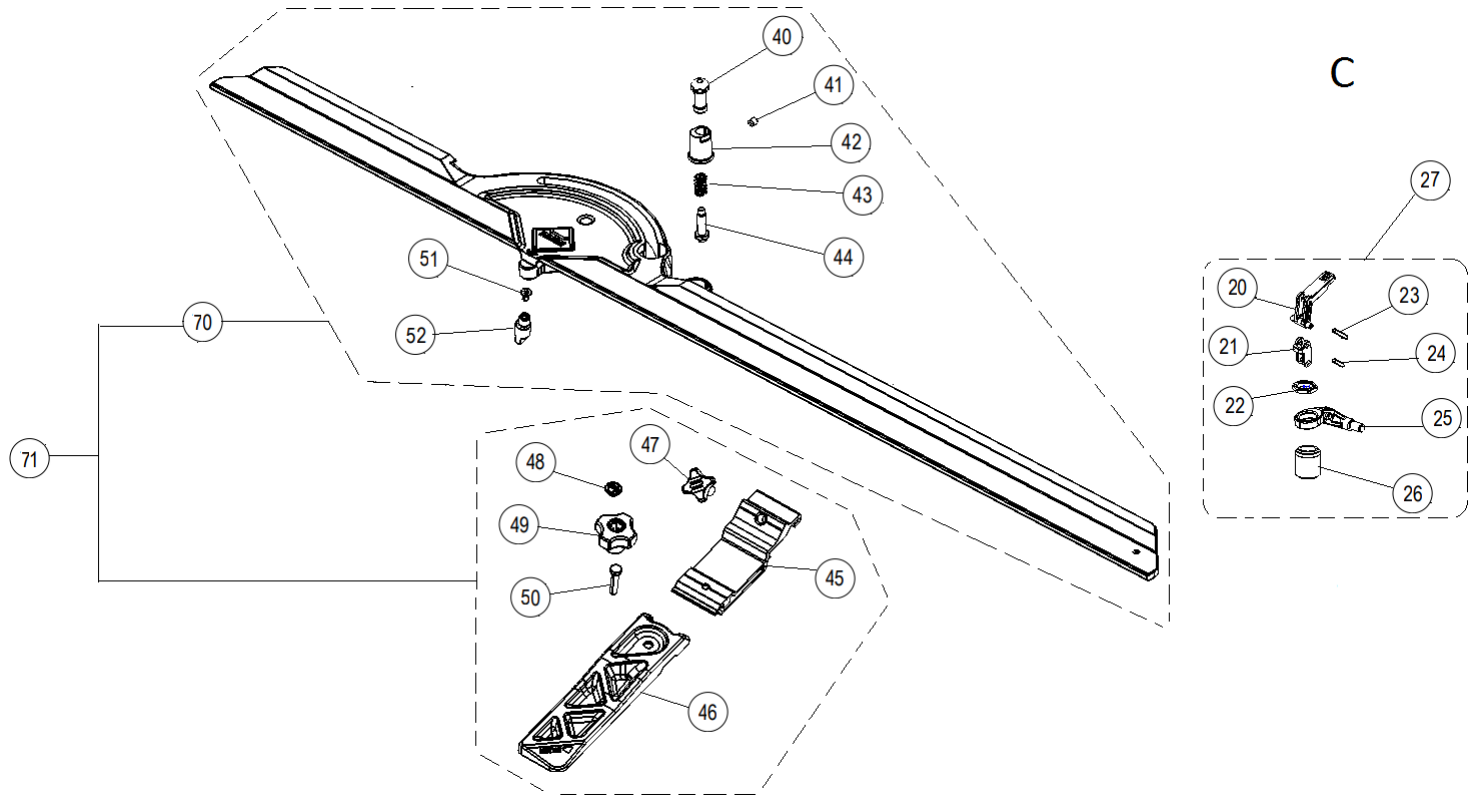
A



Part-list	ES	EN	Prod.	
1	12086 8	CLIP BASE FLOTANTE TI	CLIP FLOATING BASE TI	17970, 17975
1	12086 10	CLIP BASE FLOTANTE TI	CLIP FLOATING BASE TI	17971, 17976
2	17011 1	BASE FLOTANTE DER.TX-700 V2	FLOATING BASE RIGHT TX-700 V2	17970, 17975
2	17014 1	BASE FLOTANTE DER.TX-900 V2	FLOATING BASE RIGHT TX-900 V2	17971, 17976
3	17015 1	BASE FLOTANTE IZQ.TX-900 V2	FLOATING BASE LEFT TX-900 V2	17971, 17976
3	17012 1	BASE FLOTANTE IZQ.TX-700 V2	FLOATING BASE LEFT TX-700 V2	17970, 17975
4	12097 4	MUELLE COMPRESION 35,2X13 Ø1,7	COMPRESSION SPRING 35,2X13 Ø1,7	
5	17653 1	BASE TX-900 V3 INY.	BASE TX-900 V3	17971, 17976
5	17000 1	BASE TX-700 V2 GRIS INY.	BASE TX-700 V2 GREY	17970, 17975
6	17549 4	CONTERA GOMA ESF.Ø 21X25	RUBBER ROUND RIBBED INSERT Ø21X25	
7	15172 4	TORN DIN 6921 M8X25 6.8 ZN	SCREW DIN 6921 M8X25 6.8 ZP	
8	12081 2	BRAZO LATERAL TI/TX	ARM LATERAL TI/TX	
9	12114 2	TUERCA ESPECIAL TI	NUT ESPECIAL TI	
10	40020 2	TUERCA DIN 985 M6 CL8 ZN AUTOBLOC	HEX LOCK NUT DIN 985 M6 CL8 ZP	
11	12095 2	MUELLE CONICO TI	CONIC SPRING TI	
12	17177 2	TORN DIN 912 M6X35 6.8 ZN	SCREW DIN 912 M6X35 6.8 ZP	
13	15829 1	CIERRE MALETA 54X31 CENTRAL TX V2	PLASTIC LATCH 54X31 CENTRAL TX V2	
14	15761 1	CIERRE MALETA 89X54 TS50/60,TR, TM, TX	PLASTIC LATCH 89X54 (TS50/60,TR, TM, TX)	
15	17876 1	CJ.MALETA TX-900/N V2	CASE TX-900/N V2	
15	17875 1	CJ.MALETA TX-700/N V2	CASE TX-700/N V2	

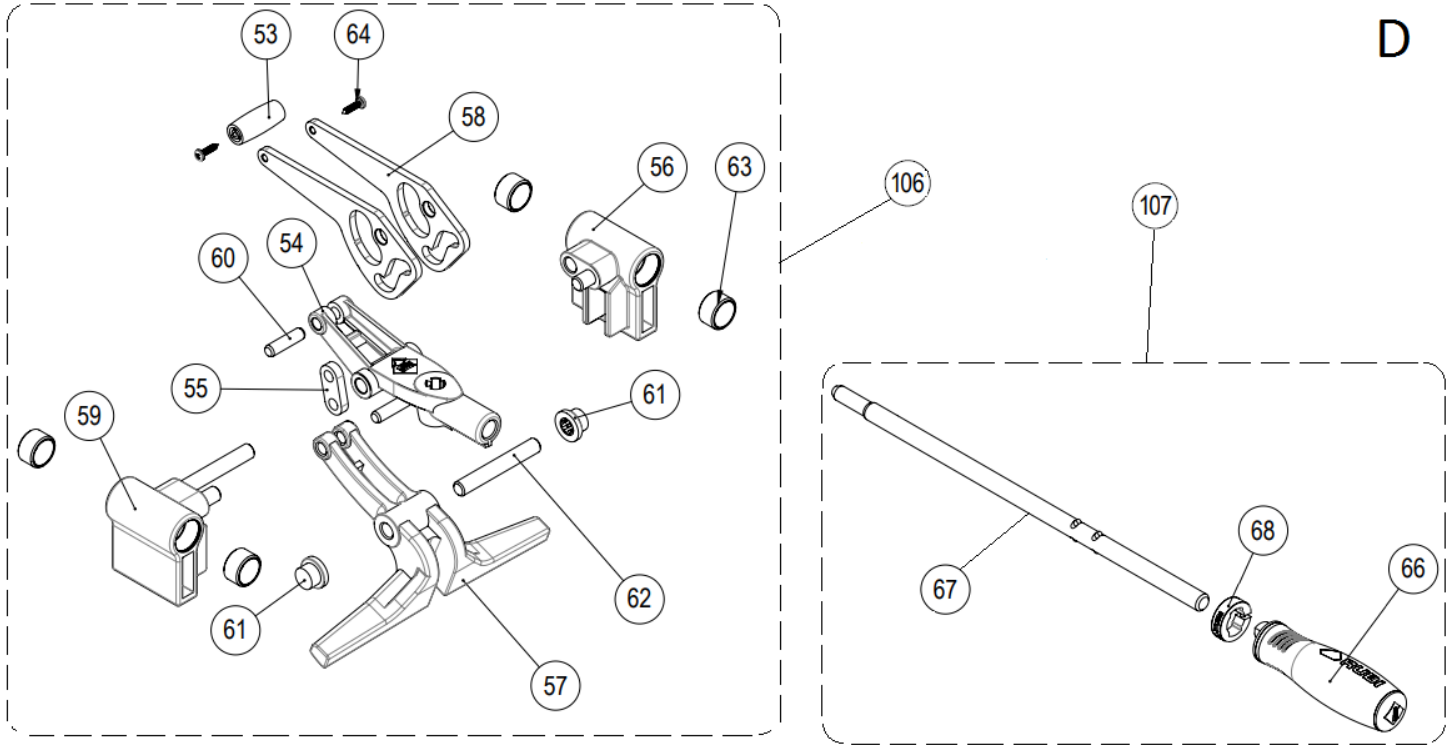


Part-list	ES	EN	Prod.
30	16102 2	SOPORTE GUIAS TX V5	GUIDE SUPPORT TX V5
31	16026 2	TOPE CORREDERA Ø17,5X28X5	CARRIER TOP TM/TX
32	16104 2	GUIA Ø 18X3 L=1080,5 CROMADA	CHROMING GUIDE Ø 18X3 L=1080,5
32	16103 2	GUIA Ø 18X3 L=860,5 CROMADA	CHROMING GUIDE Ø 18X3 L=860,5
33	17676 2	PERFIL "I" TX-700 V2 ENDEREZADO	PROFILE "I" TX-700 V2
33	17677 2	PERFIL "I" TX-900 V2 ENDEREZADO	PROFILE "I" TX-900 V2
34	17016 2	TOPE CORREDERAS TX	CARRIER TOP TX
35	17020 4	TORN DIN 912 M14X25 8.8 PVN	SCREW DIN 912 M14X25 8.8 BLUED



Part-list	ES	EN	Prod.	
20	12099 1	PALANCA BRIDA TI	FLANGE LEVER TI	
21	12079 1	BIELA PISADOR TI	CONNECTING ROD PITCHER TI	
22	12509 1	TUERCA M18X1 H4 LATON	NUT M18X1 H4 LATON	
23	12127 1	PASADOR DIN 6325 Ø 5X22	PIN DIN 6325 DIA.5X22	
24	12123 1	PASADOR DIN 1475 Ø 5X13,2	PIN DIN 1475 DIA.5X13,2	
25	12472 1	BRIDA ESCUADRA M18 TI/TX	SQUARE CLAMP M18 TI/TX	
26	12530 1	SOPORTE PISADOR TI/TX MOLETEADO	PRESSING SUPPORT TI/TX	
27	12815 1	CJ.PISADOR ESCUADRA TI/TX	SQUARE BREAKING FEET SET TI/TX	
40	12190 1	BOTON ANCLAJE TI/R V2	LOCKING BUTTON TI/R V2	
41	12491 1	PRISIONERO DIN 916 M5X6	PIN DIN 916 M5X6	
42	12438 1	CUERPO TOPE TI/TX V3	BODY TOP TI/TX V3	
43	12403 1	MUELLE COMPRESION 15,2X7,8 Ø0,8	COMPRESSION SPRING 15,2X7,8 Ø0,8	
44	12416 1	EJE GRADUACION TI/TX V3 PRESELLADO	ADJUSTING SHAFT TI/TX V3	
45	18683 1	GUIA TOPE LATERAL TX MAX	LATERAL TOP GUIDE TX MAX	
46	18424 1	TOPE LATERAL GIRATORIO TR MAGNET	ROTATING LATERAL TOP TR MAGNET	
47	12102 1	POMO M10X25 PA	PLASTIC KNOB M10X25 PA	
48	57485 1	TAPON POMO M6 ROJO	RED COVER KNOB M6	
49	13255 1	POMO M6 ESTANDAR ROJO V2	RED STANDARD M6 KNOB V2	
50	7357 1	TORN DIN 933 M6X30 6.8 ZN	SCREW DIN 933 M6X30 6.8 ZP	
51	60039 1	TORN DIN 965 M4X8 6.8 ZN	SCREW DIN 7981 3,5X9,5 6.8 ZP	
52	12799 1	INSERTO BASE TX/TI Ø 8 EXCENTRICO	ECCENTRIC BASE INSERT TX/TI Ø 8	
70	18736 1	REC.ESCUAD.TX-N V2/TP-93-S.MM	SQUARE TX-N/TP-93-S SET MM	17970, 17971
70	18737 1	REC.ESCUAD.TX-N V2/TP-93-S.INCH	SQUARE TX-N/TP-93-S SET INCH	17975, 17976
71	18747 1	REC.ESCUAD.TX-N V2/TP-93-S INCH C/TOP	SQUARE TX-N V2/TP-93-S SET INCH W/STOP	17975, 17976
71	18746 1	REC.ESCUAD.TX-N V2/TP-93-S.MM C/TOP	SQUARE TX-N V2/TP-93-S SET MM W/STOP	17970, 17971

D



Part-list	ES	EN	Prod.
53	17650 1	POMO LEVA POSICIONADORA V2	POSITION CAM KNOB V2
54	17065 1	PORTAHERRAM.PINTADO TX	PAINT. TOOLHOLDER TX
55	17207 1	BIELA TR/TX	CONNECTING ROD TR/TX
56	16828 1	CORREDERA TX S/EJE PINTADA ROJO V2	SLIDER WO/AXLE TX PAINTED V2
57	17064 1	PALANCA PISON TX	PITCHER LEVER TX
58	17034 2	LEVA TX	CAM TX
59	16829 1	CORREDERA TX C/EJE PINTADA ROJO V2	SLIDER W/AXLE TX PAINTED V2
60	17100 2	PASADOR CILINDRICO Ø 8X30	CILINDRIC FASTENER DIAM 8X30
61	17035 2	TACO DESLIZANTE TX	SLIDING STOPPER TX
62	17036 1	EJE DESLIZANTE	SLIDING AXLE
63	16030 4	CASQ 18X22X13 SINTER.	BUSHING 18X22X13 SINTER.
64	50211 2	TORN DIN 7981 3,9X16 ST 6.8 ZN	SCREW DIN 7981 3,9X16 ST 6.8 ZP
65	15128 1	MUELLE FRENO PORTAHERRAM.	TOOLHOLDER BRAKE SPRING
66	18361 1	MANGO RESTYLING TS/TR/TX V2	RESTYLING HANDLE TS/TR/TX V2
67	18364 1	VARILLA MANGO RESTYLING TR/TX V2	RESTYLING HANDLE BAR TR/TX V2
68	18316 1	ANILLO MANGO RESTYLING TS	RESTYLING HANDLE RING TS



Part-list	ES	EN	Prod.
106 17806 1	CJ.SEPARADOR TX	SEPARATOR SET TX	
107 18813 1	CJ.MANGO RESTYLING TR/TX	RESTYLING HANDLE SET TR/TX	