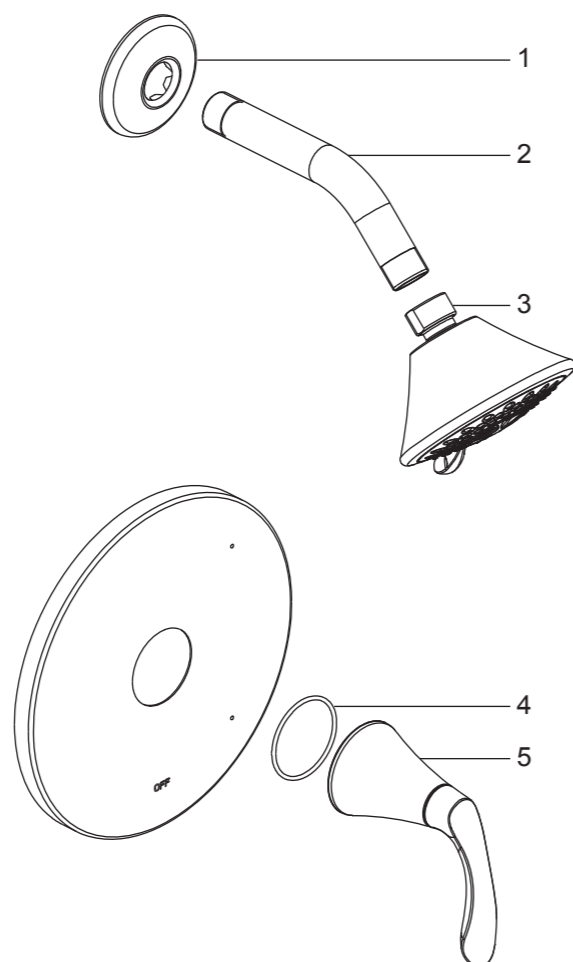


Replacement Parts / Pièces de rechange / Repuestos

**MFF-AMS-CP**  
**MFF-AMS-BN**  
**MFF-AMS-ORB**

NO.	Description	Part No.
1	Flange	639789010/5N0C0458AP/HA
2	Shower Arm	5P0011500CP/AP/HA0
3	Showerhead	5F0M023902CP/AP/HA0
4	O-ring	5R0R0175PL
5	Handle Assembly	5Y0193600CP/AP/HA0



# Arts et Metiers Collection

Single-Handle Shower Only Trim



## Installation/Installation/Instalación

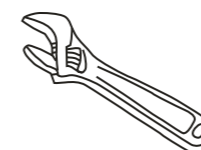
### CUSTOMER SERVICE

**TOLL-FREE 1-877-482-5422**

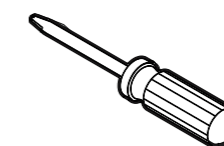


**MFF-AMS-CP - Polished Chrome**  
**MFF-AMS-BN - PVD Brushed Nickel**  
**MFF-AMS-ORB - Oil Rubbed Bronze**

### Tools You Will Need / Outils dont vous aurez besoin / Herramientas necesarias



Adjustable Wrench  
 Clé à molette  
 Llave ajustable



Phillips Screwdriver  
 Tournevis Phillips  
 Destornillador cruciforme



Pipe Tape  
 Ruban pour tuyau  
 Cinta selladora para rosca

### SAFETY TIPS

- If you use soldering for the installation of the faucet, the seats, cartridges and washers will have to be removed before using flame. Otherwise, warranty will be void on those parts.
- Cover your drain to avoid losing parts.
- 0°C~55°C.

### CONSIGNES DE SÉCURITÉ

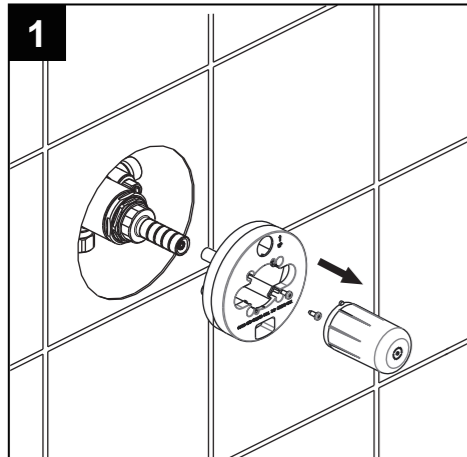
- Si vous posez le robinet par brasage, il est essentiel de retirer les sièges, les cartouches et les rondelles avant d'appliquer la flamme, faute de quoi la garantie sur ces pièces sera annulée.
- Couvrez le drain pour ne pas perdre des pièces.
- 0°C~55°C.

### CONSEJOS DE SEGURIDAD

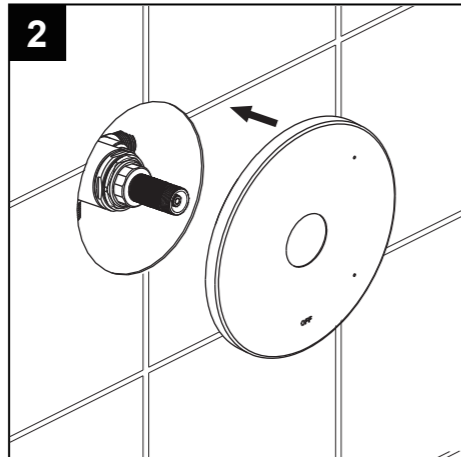
- En el caso de utilizar soldadura para instalar el grifo, remueva los asientos, cartuchos y arandelas antes de usar la llama. De lo contrario, se anulará la garantía para esos componentes.
- Tape la boca del desagüe para prevenir la pérdida de piezas pequeñas.
- 0°C~55°C.

Installation/Installation/Instalación

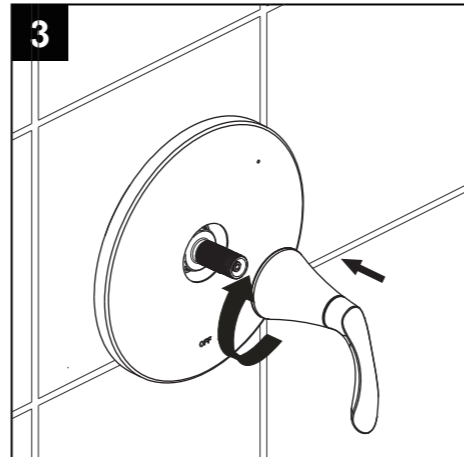
MFF-AMS-CP  
MFF-AMS-BN  
MFF-AMS-ORB



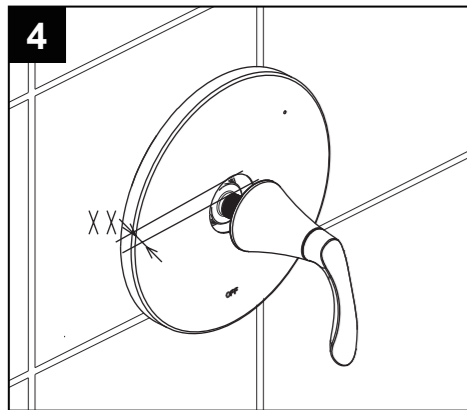
Remove the mud guard.



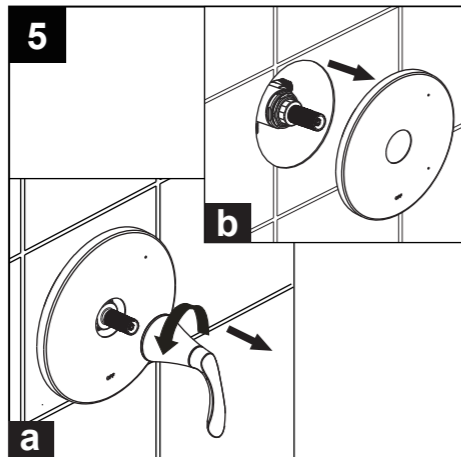
Carefully slide the escutcheon onto the valve.



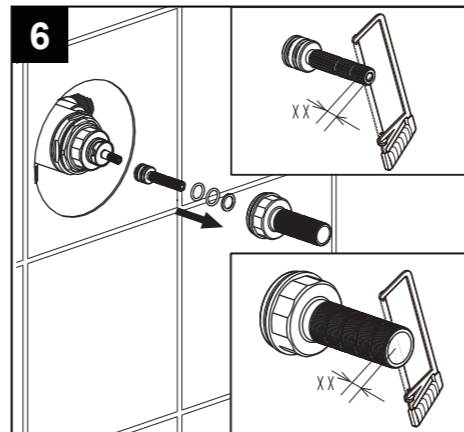
Place handle assembly on valve and rotate clockwise to secure escutcheon.



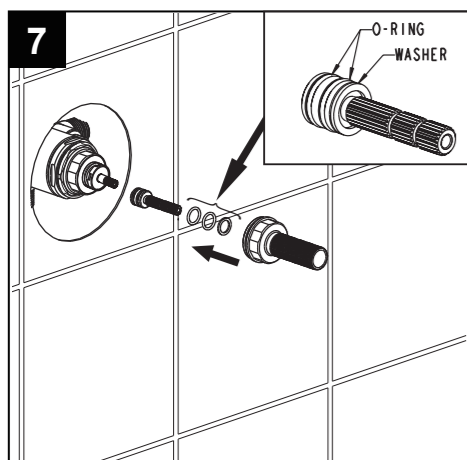
If handle assembly will not secure escutcheon to the wall, measure and note the distance 'XX' (the distance between the bottom of the handle assembly and the escutcheon)



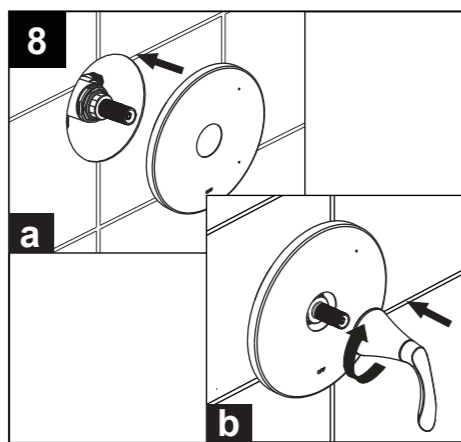
Unscrew the handle assembly counterclockwise from valve and remove the escutcheon.



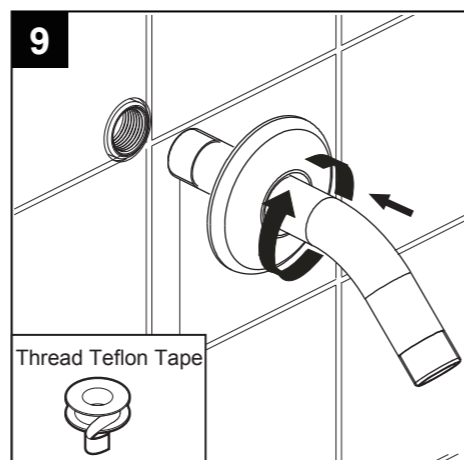
Cut stem and nipple the amount noted in step # 4. (Never cut the stem and nipple while still on the valve. This may damage the valve.)



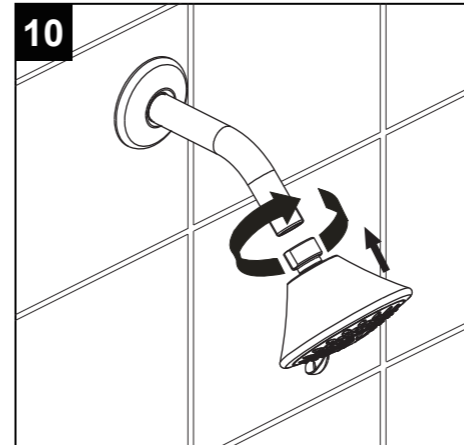
Re-install the trimmed stem and nipple on the valve.



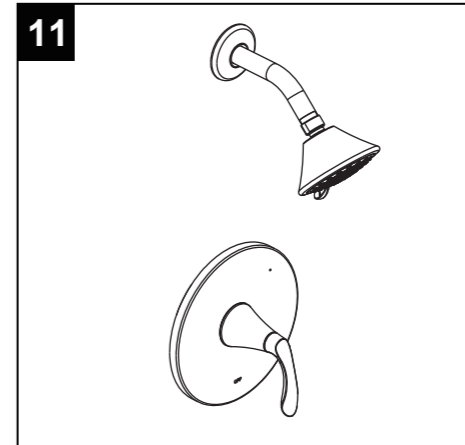
Carefully slide the escutcheon onto the valve and place handle assembly on valve and rotate clockwise to secure escutcheon.



Apply teflon tape to the shower arm and thread clockwise onto the nipple. Then slide the flange down.



Thread the shower head clockwise onto the shower arm.



Installation completed.