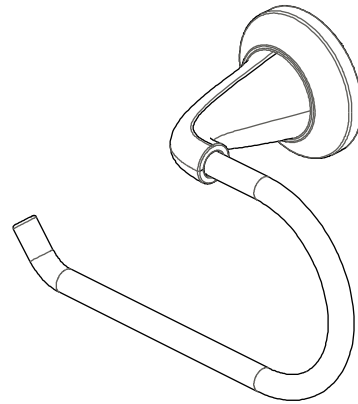


FEATURES

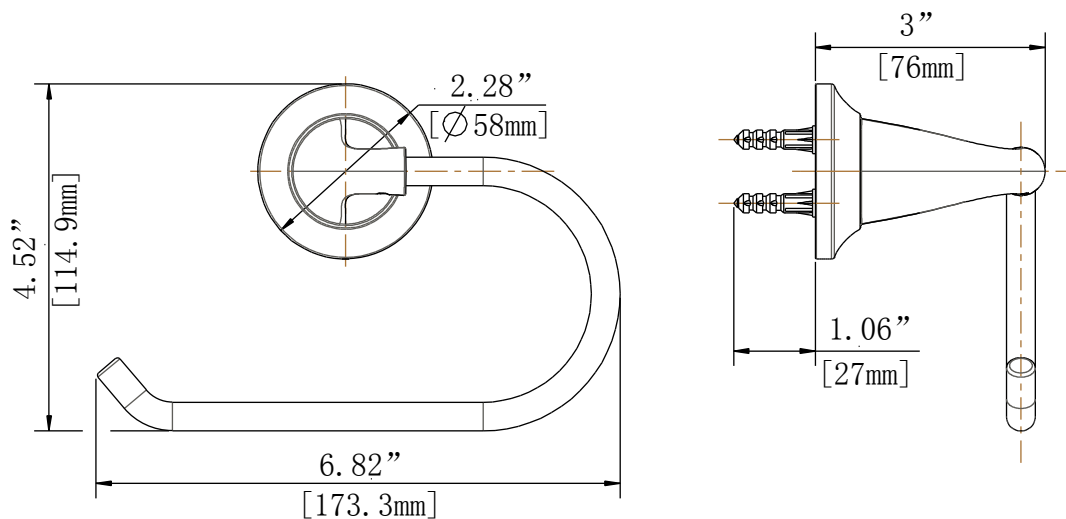
- 6.82"L x 4.52"W x 3"H
- Coordinates with Constructor Series Bath Products
- Easy Installation
- Includes Mounting Hardware and Plastic Anchors
- Tools Required for Installation:
 - Drill with 1/4" Drill Bit
 - Phillips Screwdriver
 - Small Flat Head Screwdriver


**Constructor Series
Classic Collection**

Tissue Holder

MODEL	FINISH
20118-2001	Chrome Polished

Available for purchase or special order at Home Depot stores.


INSTALLATION DIMENSIONS

Glacier Bay reserves the right to make changes in specifications and materials and to change and discontinue models, both without notice or obligation. Dimensions are for reference only.