



# Do-It-Yourself Portable Patio Deck



Installation Instructions

Owner's Manual

Warranty



[www.UDECX.com](http://www.UDECX.com)

## INDEX

Recommended Uses	Page 2	Installation Instructions	Page 6
Warnings	Page 2	Installation Instructions	Page 7
Tools Needed	Page 2	Installation Instructions	Page 8
Warranty	Page 3	Leveling and Elevating	Page 9
Assembly Overview	Page 4	Railing Installation	Page 10
Parts List	Page 5	Railing Installation	Page 11

## UDECX RECOMMENDED USES:

UDECX is a portable, modular patio decking system intended to be installed by the DIY homeowner or contractor on grade.

UDECX should be installed on undisturbed soil. Loose surface soil, vegetation and grass should be removed to provide a firm surface for the piers to rest upon.

UDECX may be installed over existing concrete slabs and patios to conceal cracks or simply improve the aesthetics.

The modular nature of UDECX allows for smaller or larger configurations than our 10'x10' starter kit. For example, using fewer pads to elevate trash cans or provide a base for air conditioning condensers. Using additional components creates expansion opportunities that are only limited by the space you have available.

UDECX may be used to create walkways similar to sidewalks.

UDECX offers an optional 2" aluminum railing system. In most cases, a railing system is not required by code if the surface of the deck is not over 20" above grade.

## WARNINGS:

UDECX support piers need to be installed on undisturbed soil. This requires the removal of any vegetation including grass and loose soil until undisturbed soil is reached.

UDECX support piers need to be secured to the ground through the use of spikes, as detailed in these instructions. Failure to secure the UDECX system to the ground may result in the risk of uplift in areas and times of high winds. Check your local codes to verify whether or not additional attachment is required.

When using 1" shims and 3" riser blocks, the anchoring spikes must pass through all components securing them together and to the ground. When installing Shims or Risers 18" spikes are required.

The UDECX system should be inspected regularly for areas of settlement. Should this occur, these areas should be disassembled, and the pier raised means of additional soil or UDECX shims and riser blocks until the desired height is reached. Reinstall the surface pads, securing them with the cam locks.

Do not place fire pits, other than UDECX brand fire pits, on or near the UDECX system. The heat generated by a fire pit may damage, diminish structural integrity and/or create a fire hazard.

The UDECX system is not intended to have the finish decking surface higher than 12" above the surrounding grade. No combination of 1" shims and/or 3" riser blocks should be used to elevate the finished surface higher than 12".

Building codes require guardrails when a decking surface exceeds 20" above adjacent grade, The UDECX optional railing system is defined by the manufacturer as a guardrail. All piers on a UDECX installation that have a railing system installed must be secured to grade with spikes.

Use caution in assembling the UDECX system to avoid pinch hazard when installing the surface pads.

Most jurisdictions will not require a building permit if your deck is below 30" and not permanently attached to your home, and less than 300 square feet. Check with your local building department to verify whether or not a permit is required.

While a building permit may not be required, placement of your UDECX Patio Deck must be within setbacks of local zoning codes. Verify with your local municipality what the required setbacks are from the side and rear of your property.

If the UDECX Patio Deck is installed against an existing home, and the finished surface of the system is within 18" of a window sill, local codes may require the window to be safety glass.

Do not clean the UDECX system with abrasive or caustic cleaners as this may void the warranty of the components. The UDECX system should be cleaned with mild detergent and water. Do not use a pressure washer to clean the surface, as this may result in voiding the warranty.

HURRICANE & TORNADO ZONES: The UDECX Patio Deck must be secured with 12" or 18" Anchor Spikes, or other anchoring methods deemed acceptable per region building codes. Check with code officials in your municipality to confirm what anchoring requirements are necessary to comply with local building codes.

## TOOLS NEEDED FOR ASSEMBLY:

Your Starter Kit includes a Cam Lock Tool for the assembly of your Portable Patio Deck, but you may need to supply the following tools:

**Hand Sledge or Hammer**

**4' Level**

**Shovel or Spade**

## **UDECX<sup>®</sup> LIMITED WARRANTY**

**UDECX, LLC MAKES NO WARRANTY, EXPRESS OR IMPLIED, INCLUDING WITHOUT LIMITATION, WARRANTIES FOR MERCHANTABILITY, FITNESS FOR A PARTICULAR PURPOSE OR PERFORMANCE CHARACTERISTICS EXCEPT AS EXPRESSLY PROVIDED HEREIN. THIS LIMITED WARRANTY APPLIES ONLY TO PRODUCTS INSTALLED IN THE UNITED STATES. ALL PRODUCTS INSTALLED OUTSIDE OF THE UNITED STATES ARE SOLD “AS IS” AND WITHOUT WARRANTY OF ANY KIND.**

UDECX, LLC warrants to the original buyer of any UDECX<sup>®</sup> product, who purchased and installed the product in accordance with the enclosed installation manual (the “Manual”), that such product will not crack, decay, or deteriorate for a period ending fifteen (15) years after the date the product was purchased. The warranties provided herein are non-assignable, are governed by Ohio law, and only apply to the original buyer, who must present an original receipt.

LIMITATIONS. The warranties do not cover any condition caused in any part by: (1) installation, use, or maintenance of the product in a manner other than as described in the Manual or failure to follow local building codes; (2) shifting, buckling, or sinking of the ground or the supporting structure on which the product is installed; (3) damage caused by improper handling, shipment and/or storage of the product; (4) any act of God (such as storms, wind, flooding, blizzards, earthquake, lightning, tornado, hail, hurricane, etc.); (5) ordinary wear and tear, including but not limited to, fading; or (6) any other exclusion provided by the product manufacturer.

Do NOT use sharp-edged tools or metal shovels to remove debris or snow and ice from the product’s surface, and do not use any caustic chemicals or abrasive materials to clean the product. This warranty will be void if the surface is punctured or otherwise damaged. Products located in higher-traffic areas may show wear earlier than other areas. Color variation occurs naturally in the manufacturing process and should be expected. Surface wear, scratches, minor degradation and color variation are not defects and are not covered by this Limited Warranty.

If UDECX, LLC, in its sole discretion, determines a product is defective in accordance with this warranty, UDECX will provide the Owner with the reasonable cost of replacement UDECX products for the area determined to be defective (not including any installation costs). The reasonable cost of the replacement product will be prorated over the Term of this Limited Warranty. In order to make a claim under this warranty, the original buyer must send the original purchase receipt to UDECX, LLC at the address listed below along with a photograph and explanation of the alleged defect. If UDECX, LLC elects to replace the product, UDECX, LLC may send the replacement product to the store where the product was originally purchased. The original buyer to whom this warranty applies must then, at buyer’s expense, pick up the replacement product. UDECX is not responsible for any costs related to the removal of the defective product or installation of the replacement product.

### **Warranty Claims May be Sent to:**

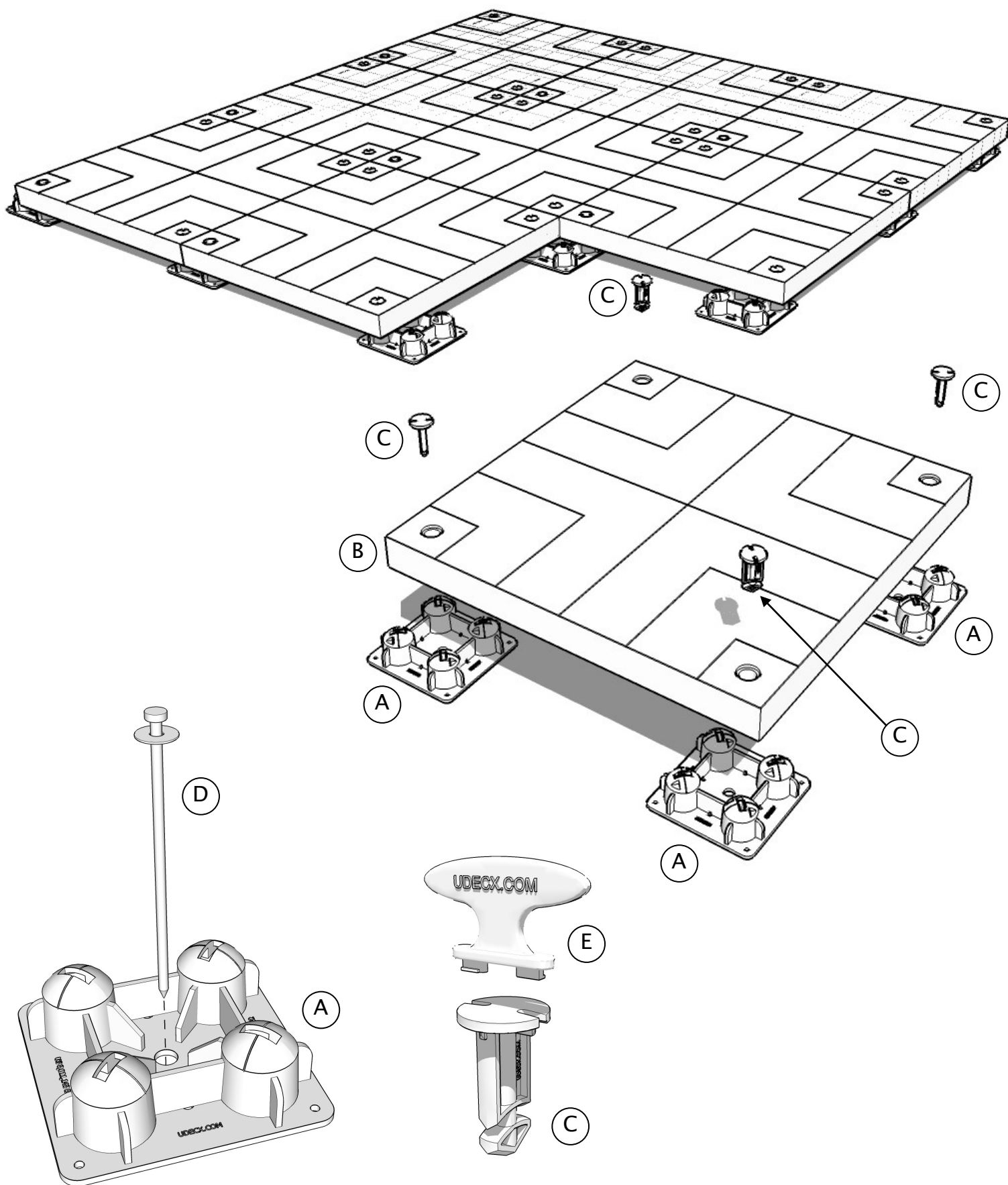
**UDECX, LLC**

**2 Prestige Place Suite 240**

**Miamisburg, OH 45342**

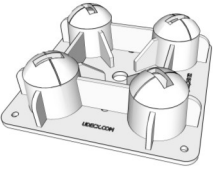
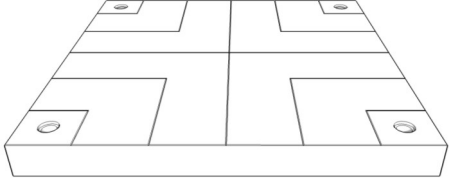
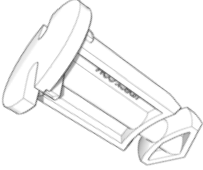


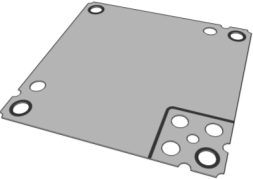
**TO THE EXTENT PERMITTED BY APPLICABLE LAW, UNDER NO CIRCUMSTANCES WILL UDECX BE LIABLE FOR SPECIAL, INCIDENTAL, OR CONSEQUENTIAL DAMAGES, WHETHER SUCH DAMAGES ARE SOUGHT IN CONTRACT, IN TORT (INCLUDING BUT NOT LIMITED TO NEGLIGENCE AND STRICT LIABILITY) OR OTHERWISE, AND UDECX’S LIABILITY WITH RESPECT TO THE PRODUCT SHALL IN NO EVENT EXCEED THE REFUNDING OF THE PURCHASE PRICE OR THE REPLACEMENT OF SUCH PRODUCT AS DESCRIBED ABOVE.**

# Assembly Overview:



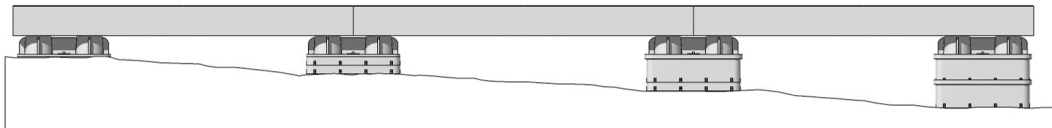
# Starter Kit Parts List:

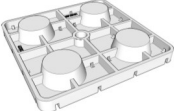


**IMPORTANT:** Check, count and verify that your Starter Kit came packaged with the following parts before you begin installation!

IDENTIFIER	IMAGE	NAME	QUANTITY	PART CODE
A		PIER	16	PR
B		PAD	9	SP
C		CAM LOCK	36	CL
D		12" ANCHOR SPIKE	16	PA
E		LOCK TOOL	1	CT
F		PIER TEMPLATE	1	PT

## Additional Leveling Components (Sold Separately)

**IMPORTANT:** Manufacturer recommends that your Patio Deck is installed on level grade. If the area upon which you intend to install is not level, additional leveling components (sold separately) may be used to level your system. **Please read and understand Steps 13 through 16 of this manual prior to installing your Patio Deck.**



G		1"	AS	SH
H		3" RISER	AS	RS
J		18" SPIKE	AS	LS

**BEFORE YOU BEGIN INSTALLATION:** Read and understand all of the installation instructions contained within this manual. Improper installation could result in **product failure** or **personal injury**, and may void the warranty.

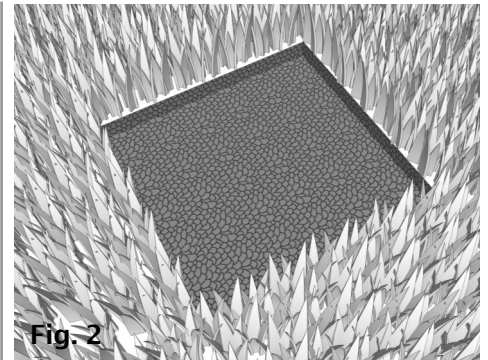
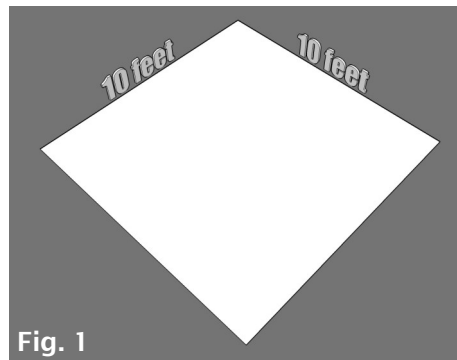
**IMPORTANT:** Before installing your new UDECX Portable Patio Deck, you must **LEVEL** the area where you intend to install your system, or at the location of each Pier (A).

**IMPORTANT:** If you intend to install a UDECX optional railing system on your Patio Deck, read and understand Steps 17 through 25 prior to installing your Patio Deck.

*(NOTE: When selecting an area for your patio deck, keep in mind that the more level the area, the simpler the installation. Areas with sloping grade will require more excavation or the purchase of optional shims and risers to level the piers. The Starter Kit you purchased is designed to be assembled into a 10' x 10' patio deck, however, the components can be arranged in a variety of configurations. Individual components are available to expand and personalize your Patio Deck configuration and size. Learn more at [www.udecx.com](http://www.udecx.com))*

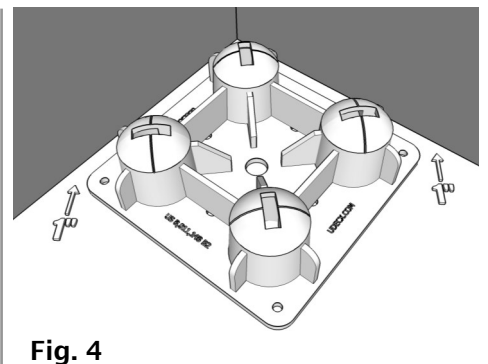
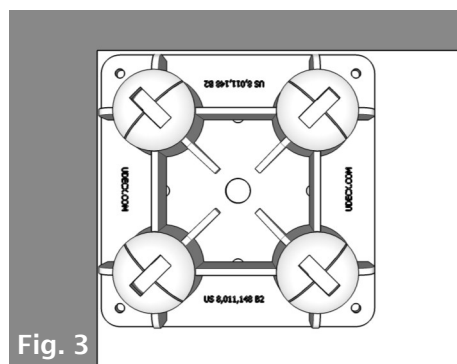
- 1.** Determine where you would like to install your UDECX Patio Deck and measure off a 10' X 10' or selected area. (Fig. 1)

Level the soil or grade and remove all vegetation



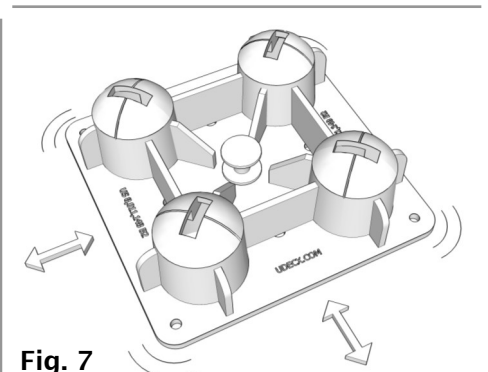
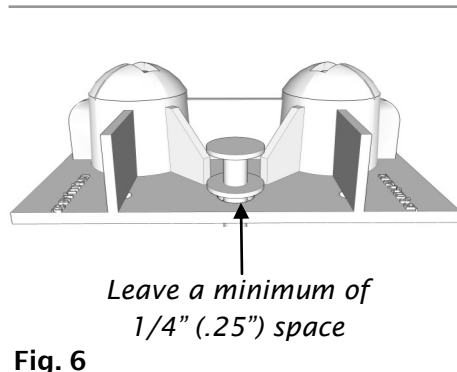
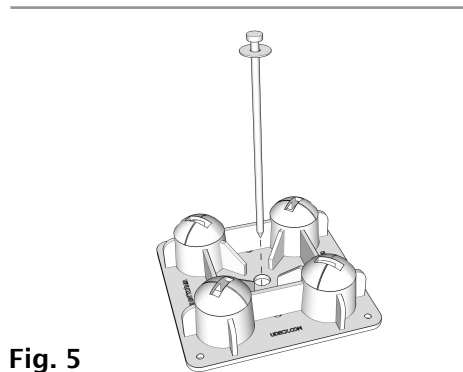
- 2.** Place the first Pier (A) at an outside corner of the 10' X 10' area you measured off. (Fig. 3)

If you plan to install next to a building or structure of any kind, place the edge of the first Pier (A) 1" away



- 3.** Place an Anchor Spike (D) through the center of the 1" hole in the Pier (A). (Fig. 5) Install the Anchor Spike (D) with a hammer or hand sledge. **(NOTE: Be very careful not to hit the Pier (A) with a hammer, hand sledge or other tool that might damage the Pier (A).**

**LEAVE SPACE** between the head of the Anchor Spike (D) and the top of the Pier (A). (Fig. 6) This provides wiggle room for adjusting the location of the Pier (A) when necessary. (Fig. 7) Level Pier (A) in each direction.



4.

Place 3 additional Piers (A) on grade and locate them with the Pier Template (F). (Fig. 8 & 9)

**NOTE:** the square printed on the Pier Template (F) indicates an outside corner.)

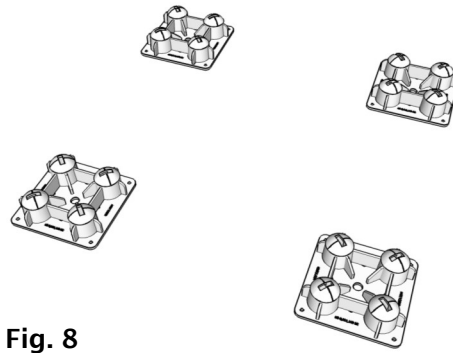


Fig. 8

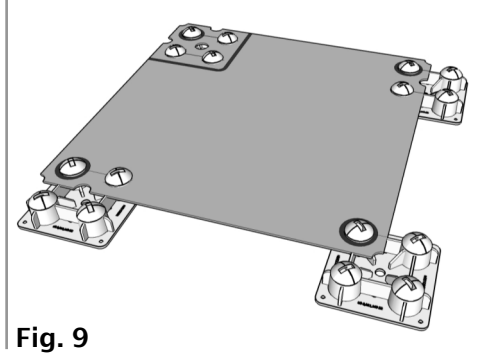


Fig. 9

5.

Level each additional Pier (A) to an adjacent Pier (A) (Fig. 10) and install Anchor Spikes (D). (Fig. 11)

**NOTE:** Remove the Pier Template after all Piers (A) have been leveled and anchored)

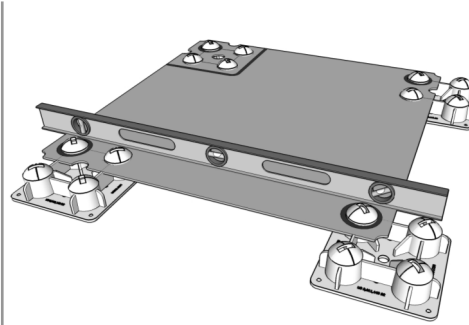


Fig. 10

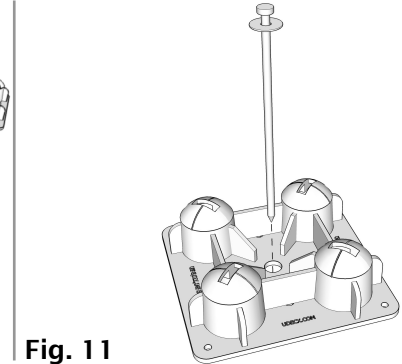


Fig. 11

6.

Place a Pad (B) on top of the 4 installed Piers (A) (Fig. 12) and insert 4 Cam Locks (C) into the 4 cam ways in the Pad (B). (Fig. 13)

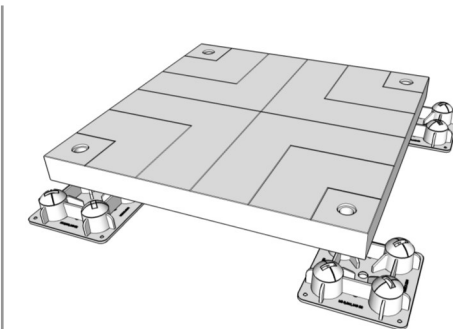


Fig. 12

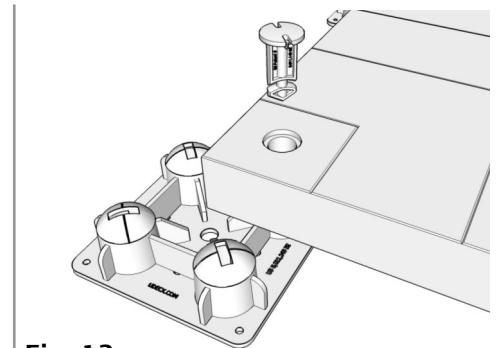


Fig. 13

7.

Rotate each of the Cam Locks (C) clockwise 90 degrees using the Lock Tool (E). (Fig. 14 & 15)

**NOTE:** the Cam Lock (C) will stop and lock after a 90 degree rotation.)

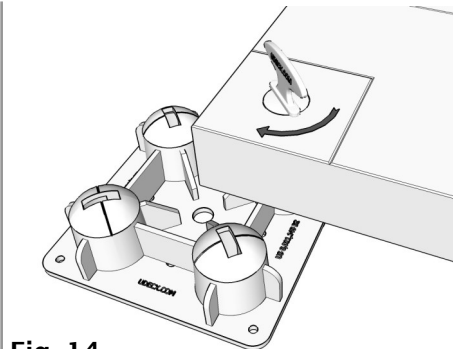


Fig. 14

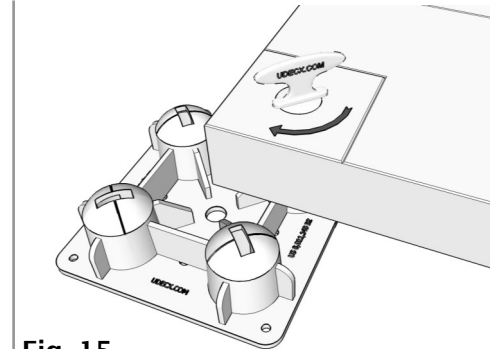


Fig. 15

8.

Place the next 2 Piers (A) in line with any 2 of the previously installed Piers (A) using the Pier Template (F). (Fig. 16) Level each new Pier (A) and install Anchor Spikes (D). (Fig. 17)

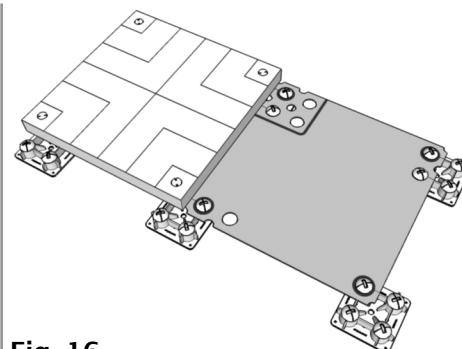


Fig. 16

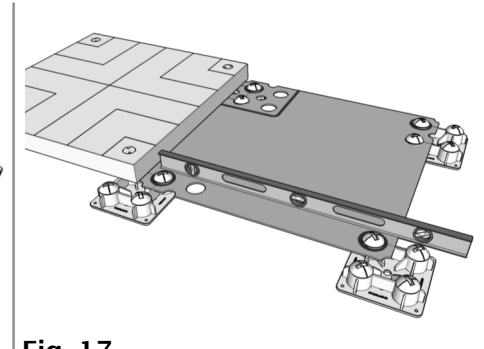


Fig. 17

9.

Place a Pad (B) onto the last 2 Piers (A) installed, and onto 2 of the first 4 Piers (A) installed. (Fig. 18 & 19)

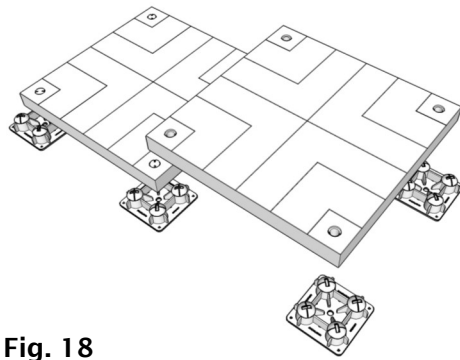


Fig. 18

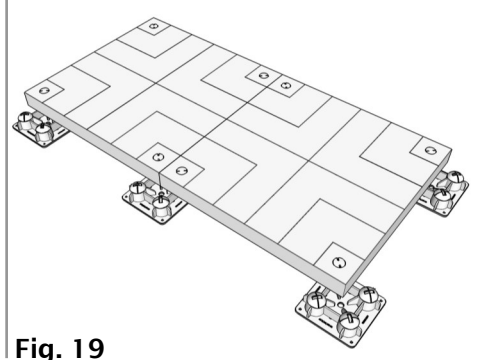


Fig. 19

10.

Insert 4 Cam Locks (C) into the cam ways in the Pad (B) (Fig. 20) and lock them using the Lock Tool (E). (Fig. 21)

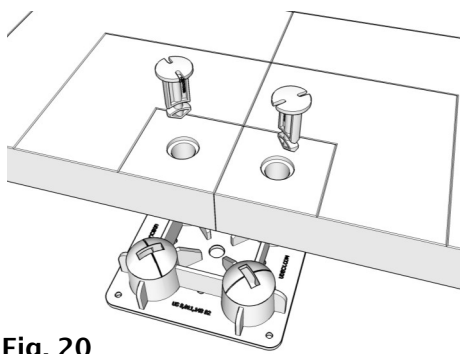


Fig. 20

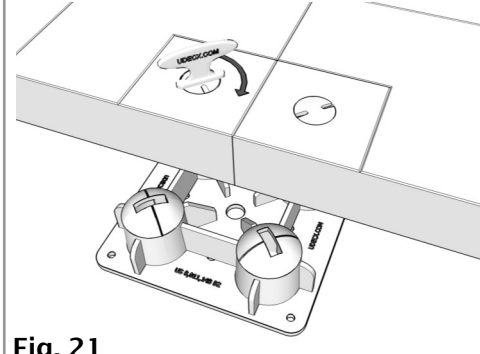


Fig. 21

11.

Continue assembly by locating additional Piers (A) with the Pier Template (F) (Fig. 22 through 25) in the manner previously described in steps 8, 9 & 10.

*(NOTE: be sure to level each Pier (A) and secure with Anchor Spikes (D). (Fig. 26)*

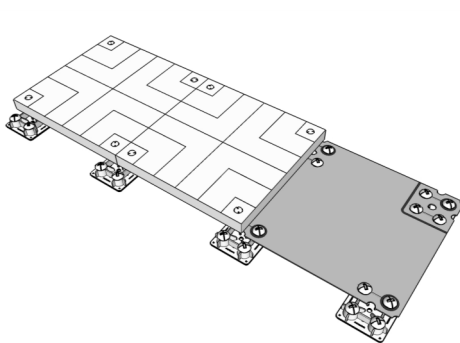


Fig. 22

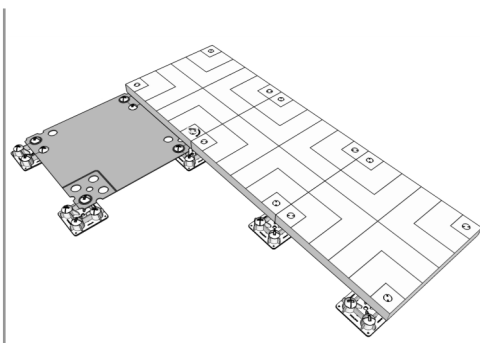


Fig. 23

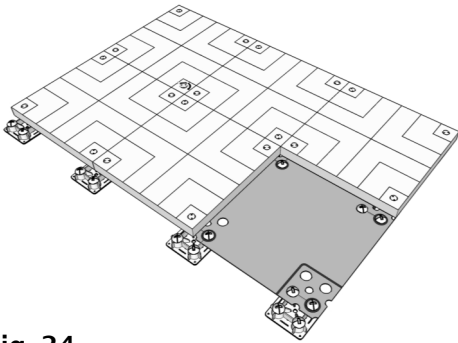


Fig. 24

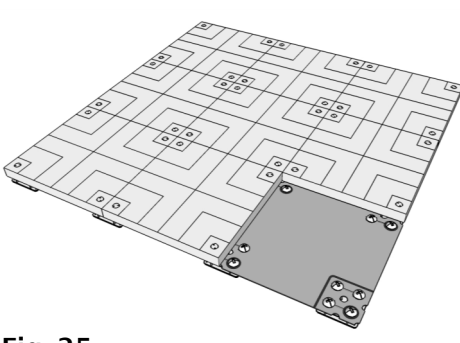


Fig. 25

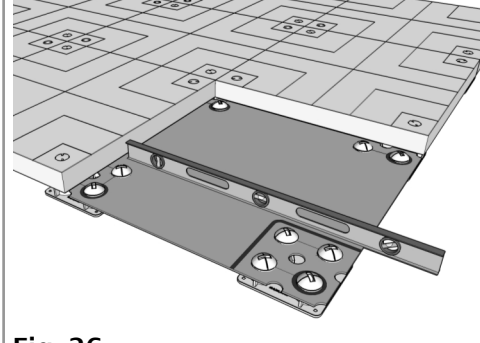


Fig. 26

12.

Insert Cam Locks (C) into the 4 cam ways in each additional Pad (B) (Fig. 27) and lock all Cam Locks (C) using the Lock Tool (E). (Fig. 28)

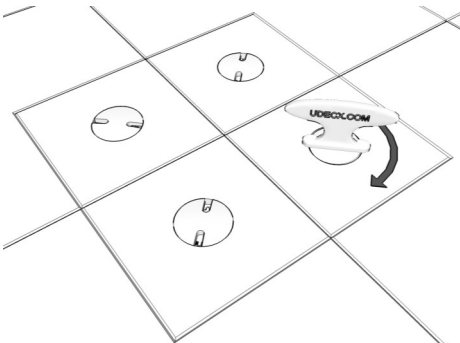


Fig. 27

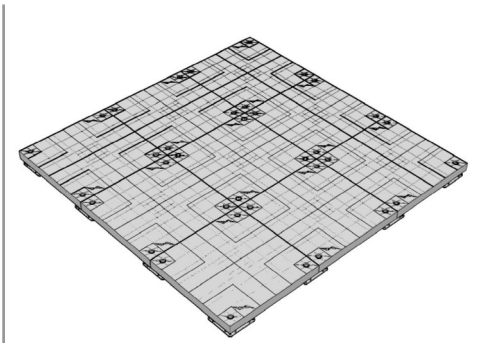
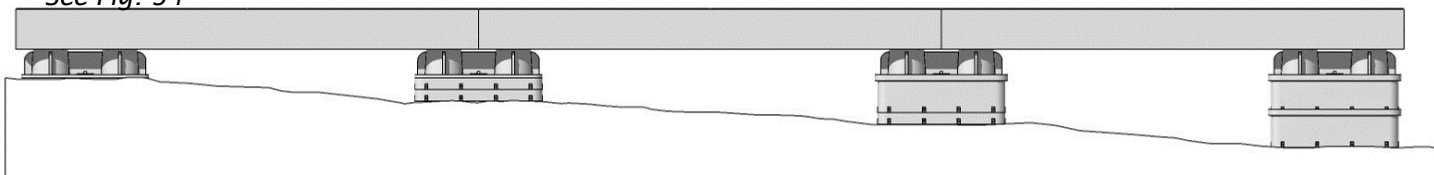


Fig. 28



# Leveling & Elevating your Patio Deck

**IMPORTANT:** If you intend to purchase and install UDECX leveling components; 1" Shims (G) and/or 3" Risers (H), you will need to anchor the Pier (A) and all 1" Shims (G) or 3" Risers (H) with an 18" Spike (J). See Fig. 34



**13.** If you choose to install on a sloped or uneven grade, 1" Shims (G) (Fig. 29) or 3" Risers (H) (Fig. 30) can be used to elevate portions of your Patio Deck to help level the finished surface. Simply place a shim below the Pier (A), level and begin

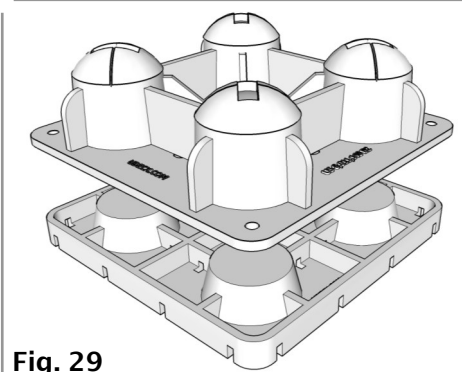


Fig. 29

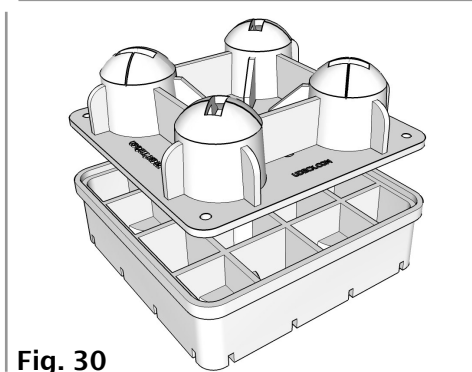


Fig. 30

**14.** **DO NOT** place more than two 1" Shims (G) (Fig. 31) or two 3" Risers (H) below any Pier (A). (Fig. 32)

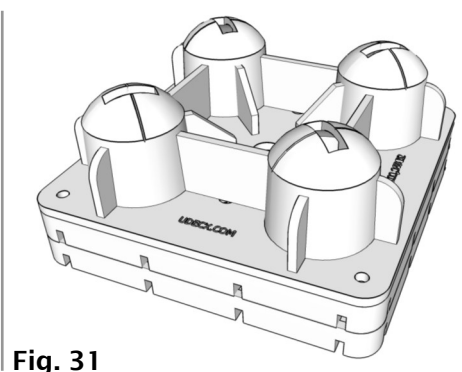


Fig. 31

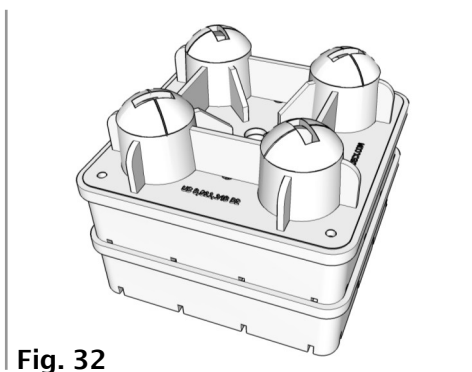


Fig. 32

**15.** 1" Shims (G) and a 3" Riser (H) can be used in conjunction with each other. **ALWAYS** place the 1" Shim or Shims (G) below the 3" Riser (H). **NEVER** use more than 2 Shims (G) with any Riser (H) (Fig. 33)

*(NOTE: All Risers (H), Shims (G) and Piers (A) need to be secured with 18" Spikes (J). (Fig 34)*

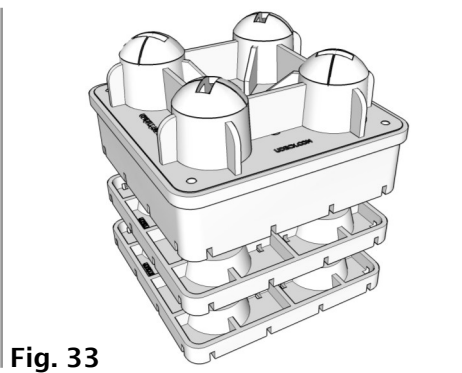


Fig. 33

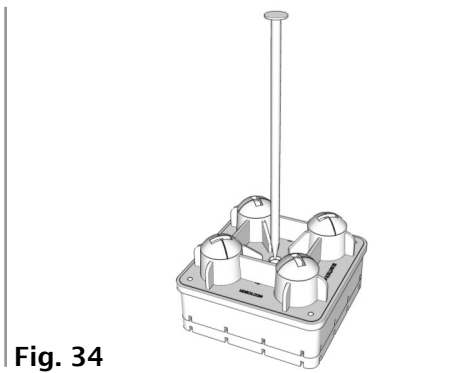


Fig. 34

**16.** Terrain will vary per installation sight, so careful planning and proper leveling of the entire system is required by the installer. The Patio Deck surface may not exceed 12" off grade. (Fig. 35)

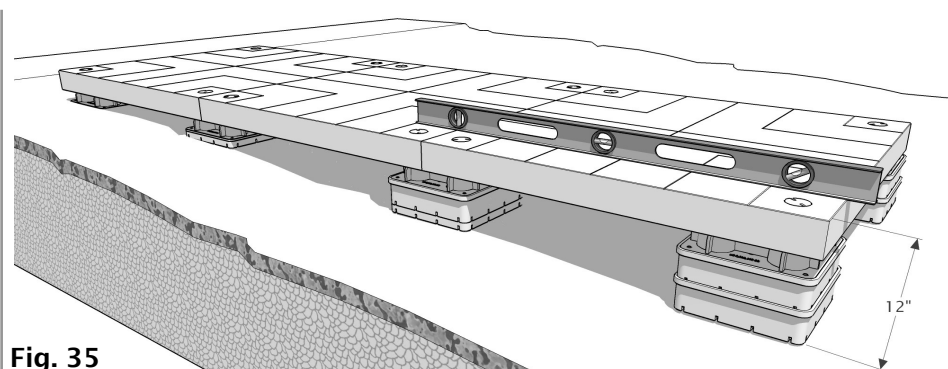
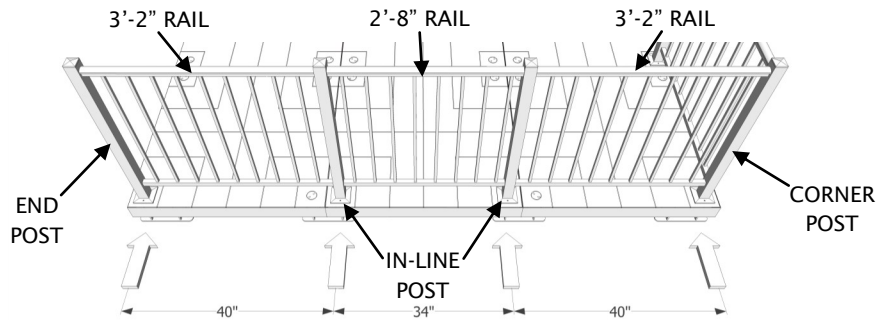


Fig. 35

# Railing Installation

**IMPORTANT:** If you intend to purchase and install railing on your new Patio Deck, you will need to install Railing Mounting hardware prior to anchoring Piers (A) or installing Pads (B).

When installing Post Mounting hardware and posts, refer to the illustration shown (Fig. 36) for hardware location and railing lengths needed.

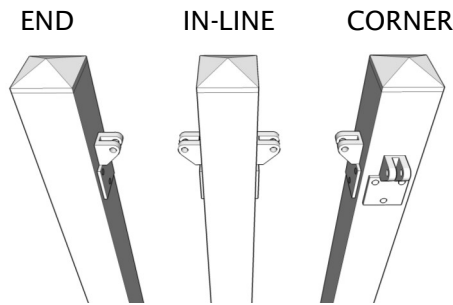


**Fig. 36** RAIL MOUNTING HARDWARE LOCATIONS

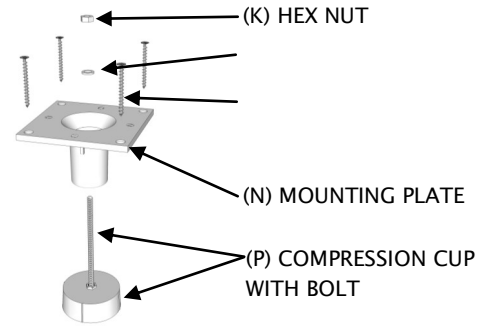
**17.**

Your new Railing comes complete with End, In-line and possibly Corner Posts that include pre-installed hardware for attaching railing sections (Fig. 37).

A Railing Mounting Kit (Fig. 38) is shipped with every post and includes a Hex Nut (K), a Washer (L), 4 Self-tapping Screws (M), Mounting Plate (N), and Compression Cup with Bolt (P).



**Fig. 37**



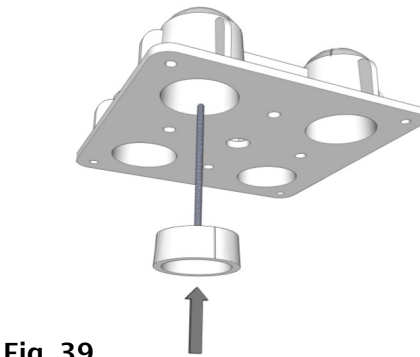
**Fig. 38**

**18.**

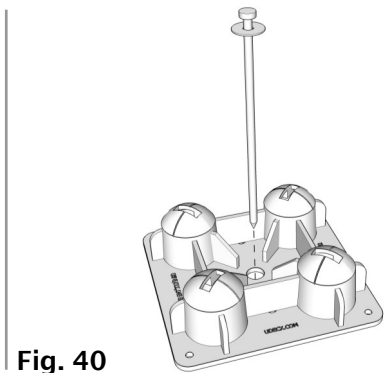
Insert the Compression Cup with Bolt (P) into the bottom of a Pier (A) (Fig. 39) where you intend to install a Railing Post and place the Pier (A) on level grade.

Anchor the Pier (A) with an Anchor Spike (D) (Fig. 40).

**LEAVE SPACE** between the head of the Anchor Spike (D) and top of the Pier (A).



**Fig. 39**

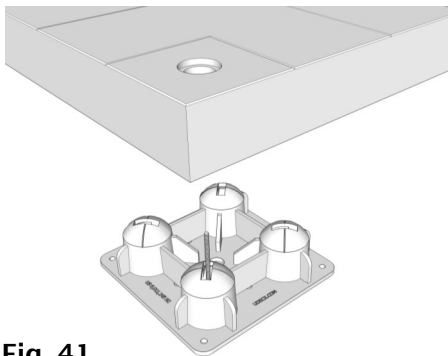


**Fig. 40**

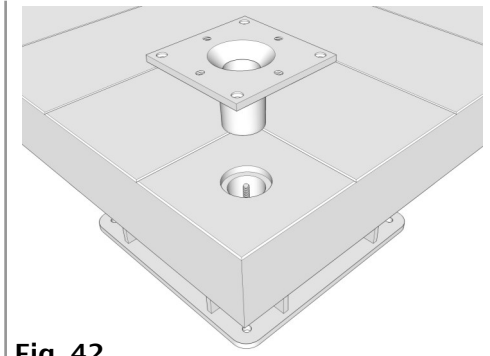
**19.**

After four Piers (A) are located and anchored, place a Pad (B) on top of the Piers (A) (Fig. 41).

Insert a Mounting Plate (N) into the cam way in the Pad (B) being sure to align the Bolt (P) with the hole in the Mounting Plate (N). The Bolt (P) should be protruding through the Mounting Plate (N) (Fig. 43).



**Fig. 41**



**Fig. 42**

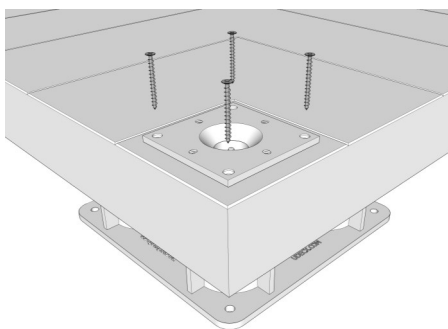
**20.**

Secure the Mounting Plate (N) to the Pad (B) with four Self-tapping Screws (M) (Fig. 44).

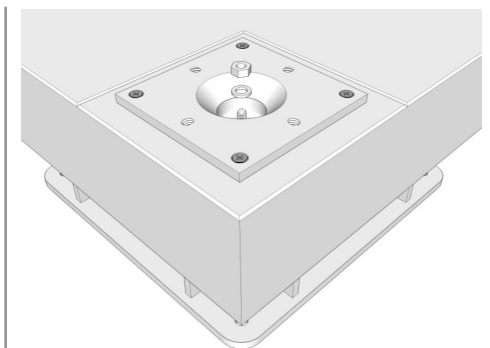
**(NOTE: DO NOT over-tighten screws)**

Place a Washer (L) and Hex Nut (K) on the Bolt (P) and tighten down with a socket wrench (Fig. 45).

**(NOTE: DO NOT over-tighten Nut (K).)**



**Fig. 44**



**Fig. 45**

21.

Start with an End Post or Corner Post by aligning the base of the Post with the Mounting Plate (L) (Fig. 45).

Secure the Post with 2 Post Mount Bolts (S) (Shipped with each Railing Post) (Fig. 46).

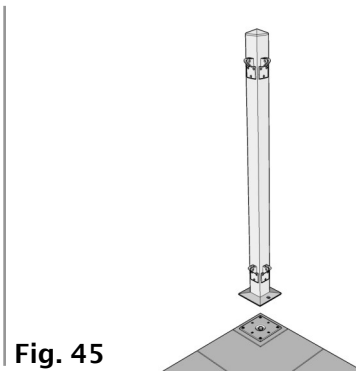


Fig. 45

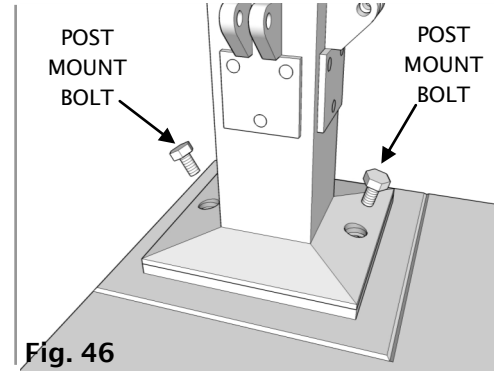


Fig. 46

22.

Next, install an In-Line Post 40" from the End Post or Corner Post (Fig. 47).

After the second post is installed, hang a 3'-2" section of railing onto the Rail Mounting Hardware (Fig. 48).

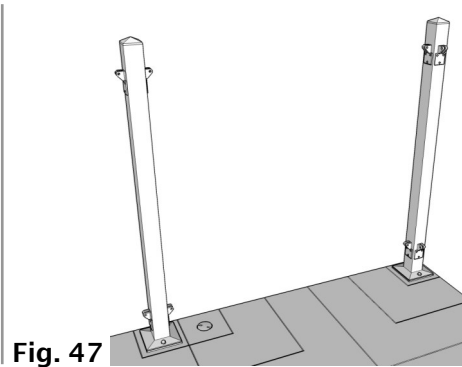


Fig. 47

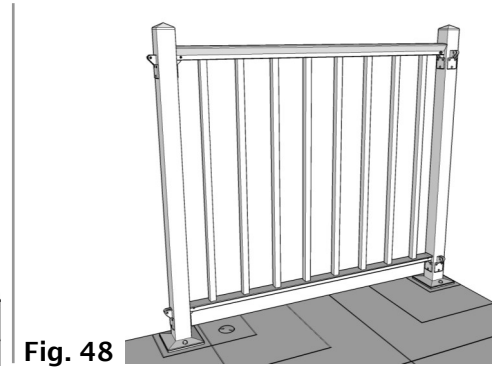


Fig. 48

23.

Drill 7/32" diameter holes through the railing mounting hardware attached to the post, and insert Rail Fasteners through the holes in the Railing and post mounted hardware at the top of the Post (Fig. 49), and at the

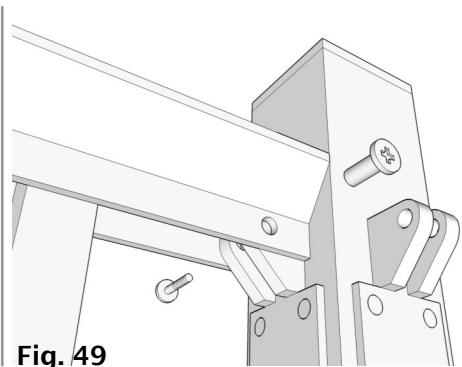


Fig. 49

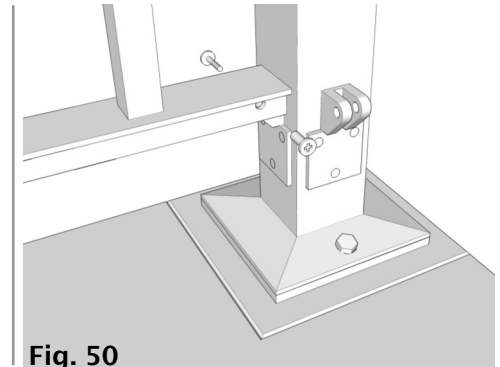


Fig. 50

24.

Next, install another In-Line Post 40" from the Corner Post perpendicular to the first In-Line Post to create the a corner (Fig. 51).

Install another In-Line Post 34" from the previously installed In-Line Post and hang a 2'-8" Railing section between the 2 In-Line Posts (Fig. 52) and secure with fasteners.

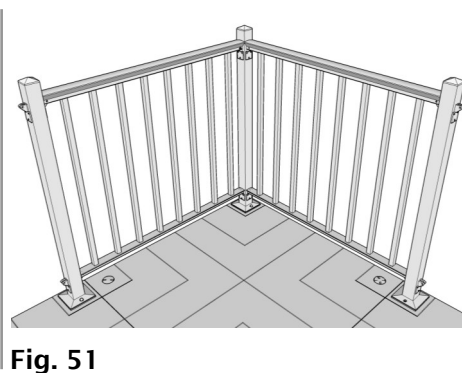


Fig. 51

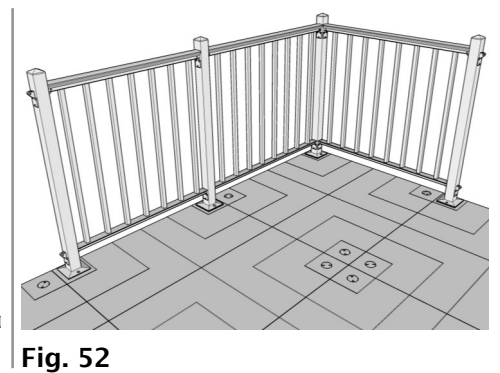


Fig. 52

25.

Install an End Post 40" from the previously install In-Line Post (Fig. 53) and hang a 3'-2" Railing section between the two. Secure with fasteners.

Continue installation around the perimeter of your Patio Deck as described in Steps 21 through 25 (Fig. 54).

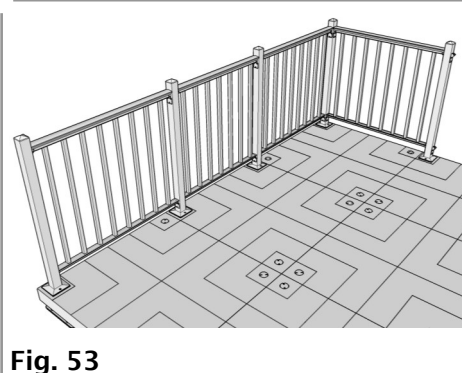


Fig. 53

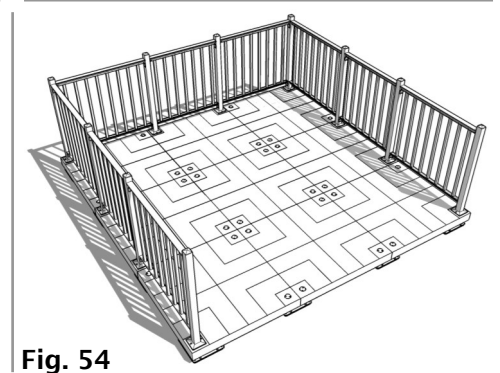


Fig. 54

**REGISTERING YOUR PORTABLE PATIO DECK:**

On-Line: [www.UDECX.com](http://www.UDECX.com)

By Telephone: 855.MY.UDECX

Via U.S. Mail: UDECX, 2 Prestige Place, Suite 240, Miamisburg, Ohio 45342

**DATE OF PURCHASE:** \_\_\_\_\_

**DATE OF INSTALLATION:** \_\_\_\_\_



2 Prestige Place

Suite 240

Miamisburg, Ohio 45342 USA

Questions? Call 855.MY.UDECX

855.698.3329



[www.UDECX.com](http://www.UDECX.com)