






# ASSEMBLY INSTRUCTIONS

## 1 HUMP/2 HUMP COMMERCIAL BIKE RACK

VERIFY ALL COMPONENTS ARE INCLUDED IN PACKAGING

ITEM #	DESCRIPTION	QTY	IMAGE
1	1 HUMP <u>OR</u> 2 HUMP MAIN TUBE	1.00	
2	GALVANIZED FOOT PLATE	2.00	
3	5/16-18 X 1.00 TRUSS HEAD PHILLIPS MACHINE SCREW, BLACK ZINC PLATED	4.00	
4	PHILLIPS DRIVER BIT (#4 Drive)	1.00	
5	3/8-16 X 2-1/4 CONCRETE ANCHOR	4.00	

### **WARNING**

ALL SURFACE MOUNTED PRODUCTS MUST BE LAGGED INTO A SOLID SURFACE USING CONCRETE ANCHORS. THE CLOSEST EQUIVALENT ANCHOR SIZE RELATIVE TO THE FOOT PLATES HOLE DIAMETER MUST BE USED, AND ANCHORS MUST BE USED IN EACH AVAILABLE HOLE. PARIS EQUIPMENT MANUFACTURING LIMITED ASSUMES NO RESPONSIBILITY FOR ANY INJURY AND/OR DAMAGE TO PERSONS OR PROPERTY DUE TO IMPROPER INSTALLATION.

## Assembly Notes

- Portions of this assembly may be easier with two people.
- Plastic bag's surrounding the individual components within the packaging can be dangerous. Keep the bags away from small children to avoid the danger of suffocation.
- Loosely assemble all parts per the step by step procedure shown below prior to tightening each connection.
- Do not over tighten hardware.

### Step 1 (2 Hump):



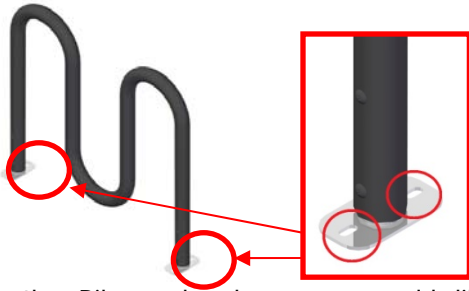
Slide Main tube (Item #1) over two foot plates (Item #2) and secure foot plates to main tube using supplied 5/16-18 hardware (Item #3) in (4x) places.

### Step 1 (1 Hump):



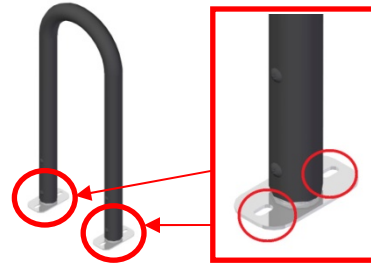
Slide Main tube (Item #1) over two foot plates (Item #2) and secure foot plates to main tube using supplied 5/16-18 hardware (Item #3) in (4x) places.

### Step 2 (2 Hump):



Locate the Bike rack where you would like to permanently install to a solid surface. Mark the four mounting holes (shown circled in red) on the solid surface, remove the bike rack and Drill a 3/8" Diameter pilot hole 1-3/4" deep into the solid surface in each location. Place anchor hardware (Item #5) into the (4x) Pilot holes and slide the Bike rack's foot plate mounting holes over the anchor bolts. Secure the Bike rack to the ground by securing the anchors to the bike rack with the 3/8" flat washers and 3/8-16 Hex nuts supplied.

### Step 2 (1 Hump):



Locate the Bike rack where you would like to permanently install to a solid surface. Mark the four mounting holes (shown circled in red) on the solid surface, remove the bike rack and Drill a 3/8" Diameter pilot hole 1-3/4" deep into the solid surface in each location. Place anchor hardware (Item #5) into the (4x) Pilot holes and slide the Bike rack's foot plate mounting holes over the anchor bolts. Secure the Bike rack to the ground by securing the anchors to the bike rack with the 3/8" flat washers and 3/8-16 Hex nuts supplied.