



Operator's Manual 25 Ton Log Splitter 208 cc, 4 Cycle

MODEL No. PLS20825

Look inside for:

	Page
Safety Definitions	2
Safe Operation Practices	3-5
Product Specifications	6
Controls & Features	6
Safety Decals	7
Assembly	8-11
Operation	12-15
Maintenance	16
Troubleshooting	17
Technical Service	18
Slope Guide	19
Warranty	20
French	21
Spanish	41



IMPORTANT:

Thank you for purchasing this Powermate® Log Splitter.

This manual provides complete instructions for safely operating and maintaining your Log Splitter. Read and save these instructions. Refer to this manual each time before using your Log Splitter.

Record the following for future reference:

Mfg. Date Code: _____

Date of Purchase: Attach a copy of your sales receipt.

Consumer Toll Free Number: 1-800-737-2112

Refer to the website for electronic manual and parts book.
www.powermateoutdoor.com

WARNING CALIFORNIA PROPOSITION 65 WARNING

Engine exhaust, some of its constituents, and certain product components contain or emit chemicals known to the State of California to cause cancer and birth defects or other reproductive harm.



If you have a question or problem...

CALL TOLL FREE: 1-800-737-2112





KEEP THIS MANUAL FOR FUTURE REFERENCE

Safety Definitions

• Save these instructions











Safety Alert Symbols

The symbols below identify important safety information in this manual. Become familiar with these symbols and the warnings associated with these symbol.




 DANGER	Indicates an imminently hazardous situation which, if not avoided, will result in death or serious injury.
 WARNING	Indicates a potentially hazardous situation which, if not avoided, could result in death or serious injury.
 CAUTION	Indicates a potentially hazardous situation which, if not avoided, may result in minor or moderate injury.
 NOTICE	Indicates a practice not related to personal injury which, if not avoided, may result in property damage.

The following symbols can be found on your log splitter. Carefully read and understand their meaning.

Safety Warning Symbols

	Look for this symbol to point out important safety precautions. It means: Attention! Become Alert! Your Safety Is Involved.		Avoid hand injury. Keep hands away from wedge, footplate and other moving parts.
	Read, understand and follow operator's manual before operating this machine. Failure to follow directions could result in serious injury.		Check for hydraulic fluid leaks by passing a piece of paper or cardboard underneath or over the area of the leak. Do not check for leaks with your hand. Fluid escaping from the smallest hole, under pressure, can have enough force to penetrate the skin resulting in tissue damage and cause serious injury or death.
	Wear eye and ear protection complying with ANSI Z87.1 and footwear protection.		The engine produces carbon monoxide a poisonous, odorless and deadly gas. Never run an engine indoors or in a poorly ventilated area.
	Keep bystanders, pets and children at least 10 feet away from the machine while it is in operation. Stop machine if anyone enters the area.		Do not operate or transport log splitter on slopes greater than 5 degrees. Block wheels to prevent movement and lock beam in the horizontal or vertical position.
	Gasoline is flammable. Allow the engine to cool at least two minutes before refueling.		Hydraulic cylinder and other components can become very hot. Avoid contact. Wear gloves when operating log splitter.

Control and Operating Symbols


	Turn the engine switch to the ON position to start the engine. Turn the engine switch to the OFF position to stop the engine.
	To start cold engines move the choke to the full choke position.
	Move the choke control to the RUN position as the engine warms up and when starting a warm engine.

Important Safe Operation Practices

• Save all instructions

RESPONSIBILITY OF OPERATOR

1. Carefully read and follow these safety instructions. Failure to do so can result in serious injury.
2. Know your product. Read and understand this manual before use. Compare the illustrations to machine. Learn location and function of all controls. Thoroughly understanding the unit before use will result in the best performance and safety.
3. Follow all instructions when assembling the unit. If the unit was purchased in assembled condition, the operator must check the machine carefully to make sure it was assembled according to the instructions in the manual before use.
4. Regularly inspect the log splitter. Make sure parts are not bent, damaged, or loose.
5. Use this equipment for its intended purpose only. The intended purpose is to split wood for use in fireplaces.
6. Operate the machine only with guards, shields, and other safety items in place and working correctly.
7. Service the machine only with authorized or approved replacement parts.
8. Complete all unit maintenance and adjustments according to the instructions in this manual.

 - Look for this symbol to point out important safety precautions. It means: "Attention! Become Alert! Your Safety Is Involved."

DANGER

Carbon Monoxide is a poisonous gas. Using an engine indoors can kill you in minutes. Engine exhaust contains high levels of carbon monoxide (CO), a poisonous gas you cannot see or smell. You may be breathing CO even if you do not smell engine exhaust.

WARNING

The log splitter is capable of amputating or crushing hands and fingers. Read and follow all warnings and safety instructions on the log splitter and in this manual. Failure to do so can result in serious injury or death to you or bystanders.

WARNING

In order to prevent accidental starting when setting up, transporting, adjusting or making repairs, always disconnect spark plug wire and place wire where it cannot come in contact with plug.

CAUTION

Muffler and other engine and hydraulic system components become extremely hot during operation and remain hot after engine has stopped. To avoid severe burns on contact, stay away from these areas.

TRAINING SAFETY

1. Read, understand and follow the operating and service instruction manual carefully. Be thoroughly familiar with the controls and the proper use of the equipment. Know how to stop the machine and disengage the controls quickly.
2. Never allow children to operate the equipment. Never allow adults to operate the equipment without proper instruction.
3. Keep bystanders, pets and children at least 10 feet (3 m) from the machine while it is in operation. Stop machine if anyone enters the area.
4. Keep in mind that the operator or user is responsible for accidents or hazards occurring to other people, their property and themselves.

PREPARATION SAFETY

1. Thoroughly inspect the area where the equipment is to be used and remove all foreign objects.
2. Operate only on level ground to ensure machine stability. Do not operate or transport log splitter on slopes greater than 5 degrees.
3. Always wear safety glasses or safety goggles during operation and while performing an adjustment or repair, to protect your eyes.
4. Do not operate the equipment without wearing adequate outer garments and safety goggles. Avoid loose-fitting clothes and use protective footwear that will improve footing on slippery surfaces. Wear leather work gloves.
5. Fuel is highly flammable. Take the following precautions:
 - a. Store fuel in containers specifically designed for this purpose.
 - b. Fill fuel tank outdoors with extreme care. Never fill fuel tank indoors. Do not smoke while refueling.
 - c. Add fuel before starting the engine. Never remove the cap on the fuel tank or add fuel while the engine is running or when the engine is hot. Allow engine to cool before refueling, at least two minutes.

Important Safety Information *(Continued)*

• Save all instructions

- d. If fuel is spilled, do not attempt to start the engine but move the machine away from the area of spillage and avoid creating any source of ignition until fuel vapors have disappeared.
 - e. Replace all fuel tank and container caps securely.
 - f. After refueling, replace fuel tank cap securely and wipe up spilled fuel.
 - g. Never store fuel or log splitter with fuel in the tank inside a building where fumes may reach an open flame.
 - h. Never fill gasoline containers or the log splitter fuel tank inside of a vehicle or in a truck bed. Accidental electrical static discharge can ignite fuel vapors which could result in serious injury or death.
6. Never attempt to make any adjustments while the engine (motor) is running (except where specifically recommended by the manufacturer).

HYDRAULIC SAFETY

1. The hydraulic system of the log splitter requires careful inspection. Wear eye protection and gloves prior to inspection. Be sure to replace frayed, kinked, cracked or otherwise damaged hydraulic hoses or hydraulic components.

WARNING

Hydraulic fluid may be under high pressure or be hot and can cause personal injury. Read, understand and follow the following safety precautions.

2. Hydraulic fluid may be under high pressure or be hot and can cause personal injury.
3. Escaping hydraulic fluid can create a fire hazard and ignite if exposed to an ignition source.
4. Read, understand and follow the following safety precautions.
5. Check for hydraulic fluid leaks by passing a piece of paper or cardboard underneath or over the area of the leak.
6. Do NOT check for leaks with your hand.
7. Fluid escaping from the smallest hole, under pressure, can have enough force to penetrate the skin resulting in tissue damage and cause serious injury or death. Machine operation should stop until any detected leak is repaired.
8. Seek professional medical attention **immediately**, (see page 11) if injured by escaping hydraulic fluid. Serious infection or reaction can develop if medical treatment is not administered immediately.
9. Relieve all pressure by shutting off the engine and moving the valve control handle back and forth should it become necessary to loosen or remove any hydraulic fitting.
10. Do not remove the cap from the hydraulic tank or reservoir while the log splitter is running. The tank could contain hot oil under pressure which could result in serious injury.
11. Do not adjust the hydraulic valve. The pressure relief valve on the log splitter is preset at the factory. Only a qualified service technician should perform this adjust.

OPERATION

1. Do not put hands near moving parts. Contact with the splitting wedge can amputate fingers and hands.
2. Never allow bystanders within 10 feet of the machine while running. Keep children and pets away.
3. Never operate the machine without proper guards, plates or other safety protective devices in place.
4. The engine and its exhaust system and the hydraulic system can become hot and can cause a burn. Do not touch.
5. Towing Precautions:
 - a. Never tow the machine at speeds greater than 45 miles per hour.
 - b. Always refer to the vehicle owner's manual for proper towing.
 - c. Secure and lock the log splitter to the vehicle hitch before towing.
 - d. Verify the correct ball size of 2 inch is on the towing vehicle.
 - e. Ensure safety chains are correctly attached prior to towing.
 - f. Consult and comply with local or state regulations concerning highway use.
 - g. Do not carry passengers or allow them to sit or stand on the log splitter.
 - h. Avoid large holes or ditches when towing the equipment.
6. Exercise caution to avoid slipping or falling. Maintain a work space clean of wood and debris.
7. Do not operate the engine in a confined space where dangerous carbon monoxide fumes can collect.
8. If the machine should start to vibrate abnormally, stop the engine (motor) and check immediately for the cause. Vibration is generally a warning sign of trouble.
9. Stop the engine (motor) when leaving the operating position, and when making any repairs, adjustments and inspections.

Important Safety Information (Continued)

• Save all instructions

10. Take all possible precautions as recommended by the manufacturer when leaving the machine unattended. Stop the engine, do not leave the unit unattended until all moving parts have come to a complete stop.
11. Before cleaning, repairing, or inspecting, shut off the engine and make certain that all moving parts have come to a complete stop. Disconnect the spark plug wire, and keep the wire away from the plug to prevent accidental starting.
12. Do not overload the machine by attempting to split any material beyond manufacturer's recommendation.
13. Use only attachments and accessories approved by the manufacturer of the machine.
14. Never operate the machine without good visibility or light. Do not operate at night.
15. Do not change the engine governor settings or over speed the engine. This can cause the engine to operate at an unsafe speed.
16. Start the engine carefully according to the manufacturer's instructions.
17. Never move the machine while the engine is running.
18. Do not operate the machine while under the influence of alcohol or drugs.

ASSEMBLY PRECAUTIONS:

This product requires assembly before use. See "Assembly" section for instructions.

▲ CAUTION

Because of the weight and/or size of components of the log splitter, it is required that two adults be present to assist with the assembly. Do not assemble the unit without two adults present.

Specifications

• Save all instructions

Unit Weight.....	439 lb. (199 kg)	Hydraulic Cylinder Dimensions	4.13 inch ID x 24.5 inch stroke
Ram Force.....	25 Ton	Max Hydraulic Pressure	3625 PSI
Cycle Time.....	16 seconds	Max Hydraulic Flow.....	11 gallon per minute (GPM)
Wedge Size.....	8 inch hardened steel	Hitch Type.....	2 inch ball coupler
Gear Pump.....	2 - Stage	Max Towing Speed.....	45 miles per hour (MPH)
Max Log Length.....	26 inch	Tire Size.....	4.80 x 8 - 16 inch
Max Log Diameter.....	30 inch	Max tire inflation pressure.....	30 PSI
Engine Size.....	208cc	Bolt Torques:	
Engine Oil Capacity.....	16oz. (470ml)	- M6 x 20 Plate, filter, fixed suction.....	4 - 7 ft. lbs (8 - 10 Nm)
Engine Oil Type.....	API SG-SL 10W-30	- Pump to coupler housing	11 - 18 ft. lbs (15 - 25 Nm)
Engine High Speed.....	3750 RPM (no load)	- Engine to mount plate.....	11 - 18 ft. lbs (15 - 25 Nm)
Gasoline Type.....	Regular Unleaded / 87 Octane (Min) Maximum 10% ethanol	- External hydraulic oil filter.....	26 - 33 ft. lbs (35 - 45 Nm)
Gasoline Capacity	0.7 gallon (2.6L)	- 2" Hitch coupler to tow bar.....	37 - 59 ft. lbs (50 - 80 N m)
Gear Pump.....	2 - Stage		
Hydraulic Oil Type	10 wt. AW32, or ISO 32		
Hydraulic Fluid Max.....	6.5 gallon (User must insert approx. 3.2 gallons on initial setup)		

NOTICE

Refer to **Engine Owner's Manual** for engine specifications.

NOTE: This spark ignition system complies with the Canadian Standard ICES-002.

Controls & Features

Read, understand and follow this owner's manual before operating the equipment. Familiarize yourself with the location and function of the controls and features. Save this manual for future reference. (See fig. 1)

- Coupler** - Attaches the log splitter to the 2" ball of towing vehicle.
- Hydraulic Cylinder** - 4.13"x 24.5" cylinder.
- Control Valve Lever** - Controls the forward and backward movement of splitting wedge.
- 8" Wedge** - Features wedge wings and tapered ends making splitting easier.
- External Filter** - Filters the hydraulic oil.
- Beam** - 9.7" wide
- Engine** - Air cooled engine powers the hydraulic pump.
- Tires** - Maximum rated towing speed is 45 MPH.
- Gear Pump** - Pumps the hydraulic oil through the system.
- Support Leg** - Supports the log splitter while operating.
- Safety Chains** - Safety feature to prevent loss of log splitter while towing.

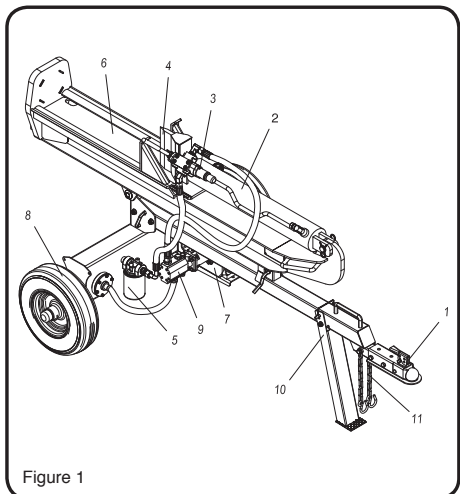


Figure 1

Safety Decals

• Save all instructions



If you need assistance or find any parts missing,
CALL TOLL FREE: 1-800-737-2112.

This log splitter has been designed and manufactured to provide you with the safety and reliability you would expect from an industry leader in outdoor power equipment manufacturing.

Although reading this manual and the safety instructions it contains will provide you with the necessary basic knowledge to operate this equipment safely and effectively, we have placed several safety labels on the log splitter to remind you of this important information and warn you of specific hazards while operating the machine.

These important safety labels are illustrated below, and are shown here to help familiarize you with the location and content to the safety messages you will see as you perform normal chipping/shredding operations.

Please review these labels now. If you have any questions regarding their meaning or how to comply with these instructions, reread the complete Important Safe Operation Practice text or contact your local dealer.

Should any of the safety labels become unreadable because of being worn, faded or otherwise damaged during the use of your log splitter, please contact your local authorized dealer to order replacement label. The safety labels are easily applied, and will act as a constant visual reminder to you and others who may use the equipment. Following the safety instructions is necessary for safe, effective operation of your log splitter.

NOTICE
Keep the beam clean and free of debris to avoid damage to log splitter

WARNING
Pinch Hazard
Avoid hand injury. Lock support leg in the down position by inserting pin prior to splitting.

WARNING
Crush Hazard
Avoid hand injury.
When pivoting beam to horizontal position, keep hands away from beam stop.
Ensure pin completely locks beam before splitting or towing.

WARNING
Avoid serious injury or death while towing.
Read and follow operator manual instructions for correct attachment and towing.
Ensure the correct ball size of 2 inch is on the towing vehicle.
Ensure safety chains are correctly attached prior to towing.
Do NOT exceed a maximum towing speed of 45 MPH.

WARNING
Crush Hazard
Avoid injury. Keep arms and hands away from towing bars.

WARNING		<p>Operating Instructions</p> <ol style="list-style-type: none"> 1. Wear ANSI approved safety gloves, glasses and footwear. 2. Position splitter on a flat surface with wheels blocked. 3. After ensuring proper fuel levels, start engine and advance throttle. 4. Position log onto beam and against the wedgeplate. <p>NOTICE: Always split wood in the direction of the grain and hold the log by its wide outer loading. Push control valve handle FORWARD to split log. Push control valve handle BACKWARD to return wedge to its original position.</p>
<p>Read and follow operating instructions before operating log splitter.</p>	<p>Hydraulic fluid injection hazard</p> <ul style="list-style-type: none"> High pressure fluid escaping from a small hole can penetrate skin causing serious injury. Avoid contact with escaping fluids. Check for leaks using paper, never your hands. 	
<p>Impact or Pinch Hazard</p> <ul style="list-style-type: none"> Keep bystanders at least 10 feet away. Only one person should operate and load the log splitter, staying within the designated operator zone. 	<p>Overturn and Slope Hazard Avoid personal injury</p> <ul style="list-style-type: none"> Do not operate or transport log splitter on slopes greater than 5 degrees. Block wheels to prevent movement and lock beam in the horizontal or vertical position. 	<p>Burn Hazard Avoid skin burn</p> <ul style="list-style-type: none"> Hydraulic cylinder and other components can become very hot. Avoid contact. Wear gloves when operating.

Assembly

• Save all instructions

⚠ CAUTION

Read, understand and follow all instructions for assembly and operation. Failure to properly assemble this equipment could result in serious injury to the user or bystanders, or cause equipment damage.

UNPACKING INSTRUCTIONS

Set the shipping crate on a solid flat surface and carefully remove the lid. Use two adults and take all parts out of the shipping crate and inspect the components to ensure there are no missing pieces before starting to assemble the log splitter follow steps 1 through 9.

CARTON CONTENTS		QTY
1	Engine and Pump assembly	1
2	Hydraulic Oil Tank assembly	1
3	Tow Bar assembly	1
4	Support Leg	1
5	Beam assembly	1
6	Wheel assemblies	2
7	Hardware pack	1
8	Owner Manual and Engine Manual	1
9	Hub Caps and assembly tube	2

TOOLS REQUIRED

- Rubber or Wooden Hammer
- 13 mm, 16 mm, 17 mm, 19 mm Wrenches or Socket Wrenches
- One 8 inch Adjustable Wrench and one 10 inch Adjustable Wrench
- Phillips Screwdriver
- Torque Wrench (ft. lbs.)
- Pliers

Step 1: Wheel Assembly

1. Attach the wheel (#2) to the oil tank axle (#1) using a flat washer $\varnothing 20$ (#6) and hex slotted nut M20 (#3). The slotted nut should be tightened by hand and then slowly tightened with a wrench only until the side free-play is removed from the bearing assembly. Rotate the wheel while tightening the nut. The wheel should turn freely. Install the cotter pin $\varnothing 4 \times 36$ (#4) through a slot in the nut M20 (#3) and the hole in the spindle. If necessary, the slotted nut may be loosened slightly until a slot in the nut aligns with the hole in the spindle.
2. Once installed, bend both ends of the cotter pin to prevent its loss. Rotate the wheel and observe for smooth and free movement. (See fig. 2)

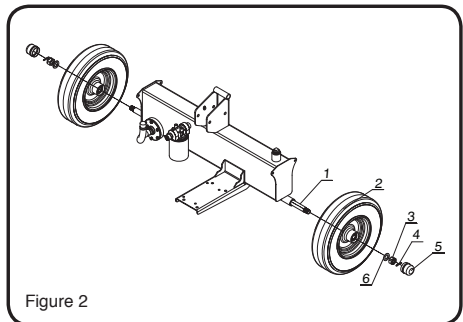
⚠ WARNING

Installation of the cotter pin is important and required. Failure to install the cotter pin can result in loss of wheel retention. Always assemble using a new cotter, do not reuse.

3. Install the axle cap (#5) on the end using rubber hammer and assembly tube.

NOTICE

Flat washer $\varnothing 20$ (#6), hex slotted nut M20 (#3) and cotter pin $\varnothing 4 \times 36$ (#4) are not located in the hardware kit, but are already loosely assembled in the log splitter spindles.



Assembly *(Continued)*

• Save all instructions

Step 2: Attach Support Leg to the Tow Bar

1. Attach the support leg (#6) to the tow bar (#1) secure using a hex bolt M10x95 (#5), flat washer $\text{\O}10$ (#3), Nylon lock nut M10 (#2) and lock pin A (#4). (See fig. 3)

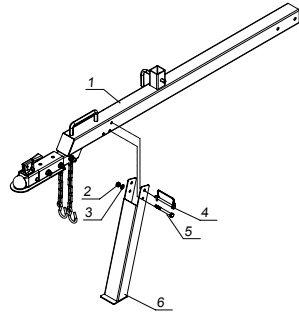


Figure 3

Step 3: Attach Tow Bar to the Hydraulic Tank

1. Attach the tow bar (#1) to the hydraulic tank and secure using two hex bolts M12x100 (#4), flat washer $\text{\O}12$ (#3) and nylon lock nut M12 (#2). (See fig. 4)

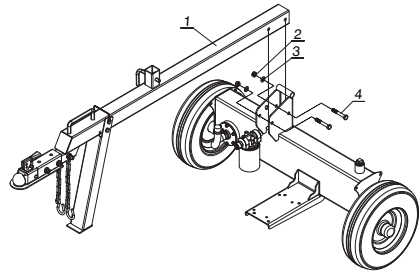


Figure 4

Step 4: Attach the Beam Assembly

1. Attach the beam assembly (#1) to the hydraulic tank and secure using the hinge pin (#2 and R-Pin $\text{\O}3$ #3). (See fig. 5)
2. Rotate beam to horizontal position and secure with front lock pin.

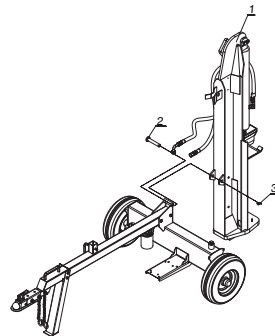


Figure 5

Assembly *(Continued)*

• Save all instructions

Step 5: Attach Engine to Mounting Plate

1. Position the engine (#4) and secure it to the mount plate. Put four hex bolts M8x40 (#5) through the bottom of the plate. Place a flat washer Ø8 (#2) and tighten the nylon lock nut M8 (#1) to 15 ft. lbs. torque.
2. Attach the clear oil pipe (#7) to the bottom of the gear pump and secure with clamp (#6). (See fig. 6)

Step 6A: Attach Hydraulic Hoses

NOTICE

All hydraulic ports contain plastic plugs to prevent oil loss during shipping. These plugs must be removed prior to assembly. Because the unit has been factory tested, there is some hydraulic oil in the lines. It is recommended to have a small container to contain some oil that will flow from the uncapped lines during assembly.

1. Put O ring Ø11.2x2.4 (#3) on the rear pump outlet connector (#4), attach the hydraulic hose (#2) to the rear pump outlet connector (#4).
2. Put O ring Ø17x2.5(#6) on the external filter connector (#5).
3. Attach the return hydraulic hose (#1) to the connector (#5). (See fig. 7A)

Step 6B: Attach Control Lever

1. Remove spring cotter pin (#1) and retaining pin (#2) from control valve rod (#3). (See fig. 7B)
2. Rotate control lever (#4) until its hole aligns with hole in control valve rod (#3).
3. Install retaining pin (#2) through control valve rod (#3) and control lever (#4) and secure with spring cotter pin (#1).

Step 7: Add Engine Oil

1. Make sure the log splitter is on a level surface.
2. Remove oil fill cap/dipstick to check oil level. Note that if the unit has been preassembled by the retail store, oil may have already been added.
3. Refer to the separate owner's engine manual for the quantity of engine oil; add oil to the proper level and replace oil fill cap/dipstick.
4. Check engine oil level daily and add as needed.

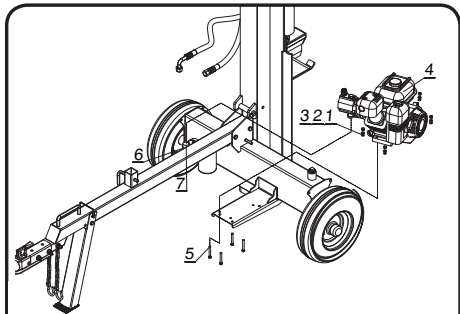


Figure 6

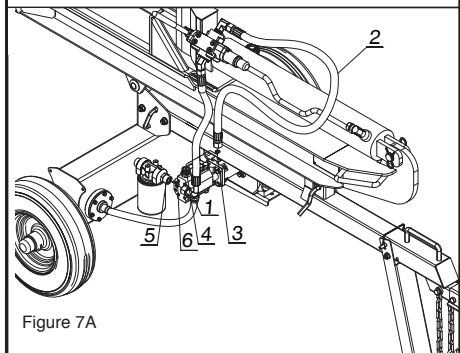


Figure 7A

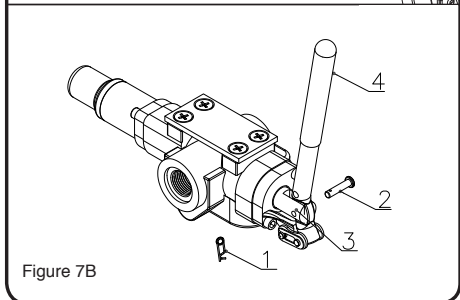


Figure 7B

NOTICE

During the break-in period check the engine oil level often.

DO NOT attempt to crank or start the engine before it has been properly filled with the recommended type and amount of oil. Damage to the log splitter as a result of failure to follow these instructions will void your warranty.

Assembly *(Continued)*

• Save all instructions

Step 8: Add Gasoline to the Engine

1. Use only clean, fresh, regular unleaded fuel with a minimum 87 octane rating.
2. DO NOT mix oil with fuel.
3. Remove the fuel cap and slowly add fuel to the tank. DO NOT overfill and allow approximately 1/2 inch of space from the top to the tank for fuel expansion.
4. Screw on the fuel cap and wipe away any spilled fuel.

▲ DANGER

- Log splitter engine exhaust contains carbon monoxide, a colorless, odorless, poison gas.
- Breathing carbon monoxide will cause nausea, dizziness, fainting or death. If you start to feel dizzy or weak, get to fresh air immediately.
- Operate log splitter outdoors only in a well-ventilated area.
- DO NOT operate the log splitter inside any building, enclosure or compartment.
- DO NOT allow exhaust fumes to enter a confined area through windows, doors, vents or other openings.

▲ WARNING

- Fuel and fuel vapors are highly flammable and extremely explosive. Fire or explosion can cause severe burns or death.
- Unintentional startup can result in entanglement, traumatic amputation or laceration.
- Only use regular unleaded gasoline with a minimum 87 octane rating. DO NOT mix oil and gasoline together.
- Fill tank approximately 1/2" below the top of the tank to allow for fuel expansion. DO NOT fill fuel tank indoors or when the engine is running or hot.
- DO NOT light cigarettes or smoke when filling the fuel tank.

Step 9: Add Hydraulic Oil

1. The log splitter needs to be on a flat, level surface before adding the hydraulic oil.
2. Remove the oil cap from the hydraulic oil tank. Check the hydraulic oil level. If the unit has been preassembled by the retail store, hydraulic oil may have already been added.
3. If required, add up to 3.2 gallons of hydraulic oil. 10W AW32 and ISO 32 are acceptable types of fluid.
4. Check the hydraulic oil level.
5. Start engine and use the control lever to extend and retract wedge several times to remove air from the lines.
6. With the wedge retracted, check hydraulic oil level again and fill if necessary.

▲ WARNING

Hydraulic fluid may be under high pressure or be hot and can cause personal injury.

- Do not remove the hydraulic oil fill cap when the engine is running or hot. Hot oil can escape causing severe burns. Always allow the log splitter to cool completely before removing the hydraulic oil cap.
- High fluid pressure and temperatures are created in the hydraulic log splitters. Hydraulic fluid can escape through a pin-size hole opening and can puncture skin and cause severe blood poisoning. Inspect hydraulic system regularly for possible leaks.
- NEVER check for leaks WITH YOUR HAND while the system is pressurized. Check for hydraulic fluid leaks by passing a piece of paper or cardboard underneath or over the area of the leak. Seek medical attention IMMEDIATELY if injured by escaping fluid.
- Make sure all fittings are tight and secure before applying pressure.
- Relieve system pressure before servicing.
- Make sure the hydraulic hoses do not touch any hot surfaces or cutting areas.
- Hoses need to be positioned where they are clear from the engine and cutting wedge. To avoid serious bodily injury always inspect the hoses before operating the log splitter.

Operation

• Save all instructions

A Before Operating

Before operating or using the log splitter, review the instructions below and all safety information. Failure to follow these instructions may result in property damage or injury to the operator or bystanders.

▲ WARNING

- Use the log splitter only for its intended use of splitting wood.
- When changing the splitter from vertical to horizontal operation, do not let the beam suddenly drop. Keep hands and fingers clear of pinch or crush points at all times.
- When operating in the vertical position, make sure the beam lock pin engages the beam to prevent inadvertent movement.
- Use the log splitter to split wood logs length wise with the grain.
- Never modify, alter or change the log splitter in any way.
- Never attach a rope, cable or other device to the control lever on the log splitter.
- Operate the log splitter only in daylight with good light and visibility.
- Do not leave the log splitter unattended while the engine is running.
- Do not change the splitting position with the engine running. Contact with the muffler can cause serious burns.
- Never operate or let anyone else operate, the log splitter while under the influence of alcohol, drugs, or medication.

B Pre-Start Check List

1. Make sure all safety guards are in place and all nuts and bolts are secure.
2. Always wear safety gear, eye protection, gloves and work boots when operating the log splitter.
3. Make sure the machine is on a dry and flat surface. Block the wheels to prevent movement. Do not operate on slopes greater than 5 degrees. (See Slope Guide)
4. Lock the beam in the horizontal or vertical position.
5. Check oil level in engine crankcase and the hydraulic tank. See your Engine Owner's manual for procedure and specifications.
6. Visually inspect all hoses and attachments for leakage and security.
7. Inspect air cleaner for cleanliness. See your Engine Owner's manual for procedure.
8. Check the fuel supply. Fill the fuel tank no closer than 1/2" (12.7 mm) from top of tank to provide space for expansion. See your Engine Owner's manual for fuel recommendations.
9. Be sure spark plug wire is attached and spark plug is tightened securely.
10. Look for signs of damage to machine and engine.
11. Remove excessive debris from engine guards and muffler area.
12. The log splitter must have at least seven feet of clearance from combustible material. It needs to be on a dry and level surface with good footing. Do not work on mud, ice, brush or snow. When using the log splitter the work zone must be maintained at all times.

C Towing Precautions

▲ WARNING

Serious injury or death can occur if towing safety rules are not followed.

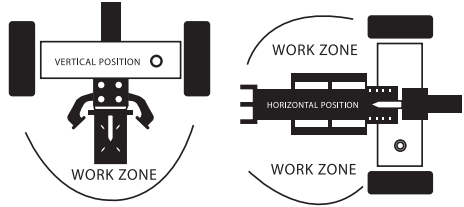
- Before towing the log splitter, check tires for excessive wear, cuts or damage. Check for proper tire inflation. Add air as required. Do not over inflate tires. Serious injury can result if tires explode.
- Verify the correct ball size of 2 inches is on the towing vehicle.
- Refer to the vehicle owner's manual for proper safety and towing instructions.
- Always use safety chains, secure and lock the log splitter to the vehicle hitch before moving. Drive safely. Be aware of the added length of the log splitter.
- Never exceed the maximum travel speed of 45 mph.
- Never ride or transport cargo on the log splitter.
- Turn off the vehicle before leaving the log splitter unattended. Block the log splitter wheels to prevent unintended movement.

Operation (Continued)

• Save all instructions

D Operator Work Zone

NOTE: Serious accidents can happen when other people are allowed inside the work zone. Keep everyone else outside the work zone while operating the control lever.



E Engine Start-Up

A more detailed description of engine operation and all related precautions and procedures can be found in the Engine Owner's Manual that accompanies each log splitter. Read and follow these instructions.

TO STOP ENGINE (FIG. 8)

Turn the engine switch to the OFF position. Refer to Engine Owner's Manual for further information. Do not use the choke control to stop the engine.

TO START ENGINE (FIG. 9) (Cold Start)

1. Move choke control to the full choke position. |#|
2. Move throttle control lever away from the SLOW position, about 1/3 of the way toward the FAST position.
3. Turn the engine switch to the ON position.
4. Firmly hold the starter grip. Pull the starter grip handle slowly until resistance is felt, then pull rapidly.
5. As the engine starts up, move the choke control to the RUN position. |#|

TO START ENGINE (FIG. 10) (Warm Start)

Restarting a warm engine does not require use of the choke.

1. Move throttle control lever away from the SLOW position, about 1/3 of the way toward the FAST position.
2. Firmly hold the starter grip. Pull the starter grip handle slowly until resistance is felt, then pull rapidly.

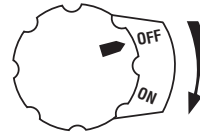


Figure 8

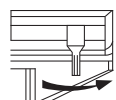
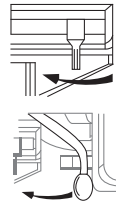


Figure 9

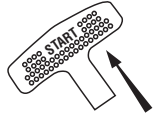


Figure 10

Operation *(Continued)*

• Save all instructions

F Log Splitter Start-Up

NOTICE

The hydraulic oil needs to be above 10°F (-12C°) before starting the engine. Cold hydraulic oil can damage the hydraulic pump. If outdoor air temperature is below 32°F (0C°) allow the log splitter to warm up by extending and returning the wedge several times before splitting wood.

1. Put the support leg in the down position and install lock pin. Block both tires to prevent the log splitter from moving during operation.
2. Set the log splitter in either the horizontal or vertical position and lock with pin.

NOTICE

The HORIZONTAL position is used for lighter logs that can easily be loaded onto the beam. The VERTICAL position is used for either light logs or heavy logs that are difficult to load onto the beam.

⚠ CAUTION

Back injury can result from lifting logs onto the log splitter if proper lifting techniques are not used.

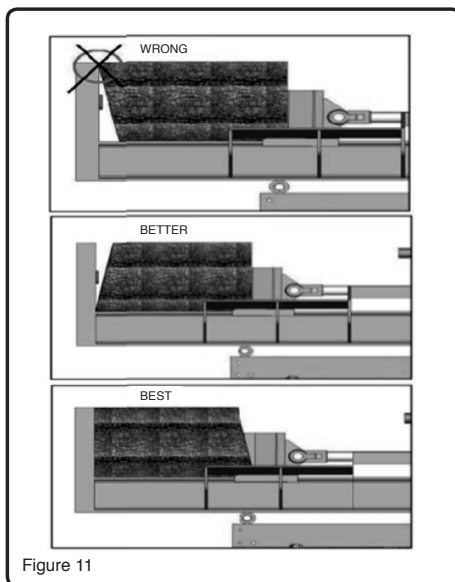
3. Load a log onto the beam against the endplate. Grasp the log from the sides and not the ends. (Max Log Length-26"). (See fig. 11)
4. Make sure hands are clear from the wedge and crush hazard areas.

⚠ WARNING

Wedge can cut through skin and break bones. Keep both hands away from wedge and beam slide. Serious accidents can happen when other people are allowed inside the work zone. Keep everyone else out of the work zone while operating control lever.

DO NOT wear loose clothing. It can get tangled in moving parts of log splitter. Only use the log splitter in daylight so you can see what you are doing.

5. Using one hand, push control lever forward to split the log.
6. Using one hand, pull control lever backward to return wedge to its original position.
7. Always keep work zone clean and free of split wood and debris.



⚠ WARNING

To avoid hand or finger injury, always keep hands clear of the log and wedge while it is retracting. Always keep fingers away from any cracks that open in the log while splitting. They can quickly close and pinch or amputate your fingers.

If a log gets stuck, embedded or will not split completely, push the control lever in the reverse direction and allow the splitter to strip the log from the wedge.

Operation Illustrations

• Save all instructions

FOR HORIZONTAL USE:

1. Insure front pin is completely engaged to secure front of splitter beam. (See fig. 12)

FOR VERTICAL USE:

1. Pull front pin to release beam.
2. Rotate beam to vertical position.
3. Pull rear beam lock pin and rotate to 9:00 o'clock position to secure beam. (See fig. 13)

FOR VEHICLE TOWING:

1. Press handle down and lock tightly.
2. Hook safety chain to towing vehicle.
3. Rotate front leg up and install the lock pin. (See fig. 14)

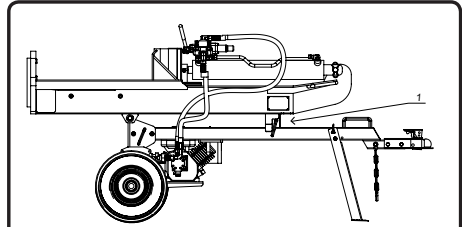


Figure 12

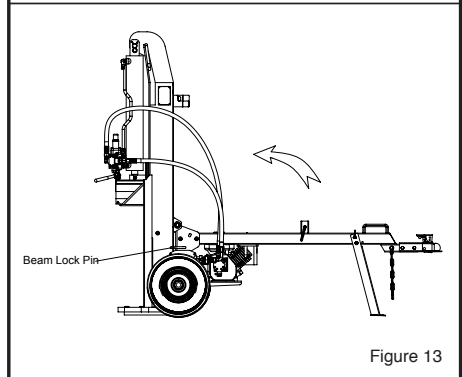


Figure 13

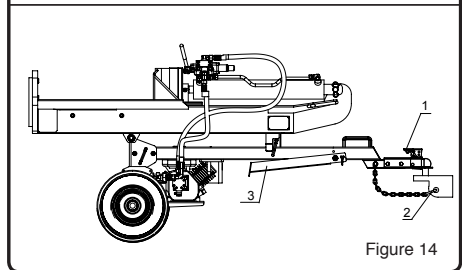


Figure 14

Maintenance

• Save all instructions

- Before performing maintenance, the log splitter must be placed in maintenance mode. Turn off the engine and move the control lever forward and backwards to relieve the hydraulic pressure.
- After performing any maintenance, make sure all guards, shields and safety features are put back in place before operating the log splitter.
- Before operating make sure the tires have the recommended tire pressure.
- Grease axle and wheel bearing annually.
- Periodically check all fasteners and hoses for tightness and leaks.
- Annually clean and lightly lubricate all moving parts or when needed.
- Use a glossy enamel spray paint to touch up scratched or worn painted metal surfaces.

What	When	Method
Hoses	Each Use	Inspect hoses for exposed wire mesh and leaks. Replace all worn or damaged hoses before starting the engine.
Hydraulic Fittings	Each Use	Inspect fittings for cracks and leaks. Replace all damaged fittings before starting the engine.
Nuts and Bolts	Each Use	Check for loose bolts, tighten before operating.
Beam	Each Use	Apply grease to beam surface.
Moving Parts	Each Use	Clear debris from log splitter.

Refer to the *Engine Owner's Manual* for engine maintenance.

NOTICE

If a part needs replacement, only use GENUINE parts that meet the manufacturer's specifications. Replacement parts that do not meet specifications may result in a safety hazard or poor operations.

STORAGE

- Before storing make sure the log splitter is clean and dry.
- Store equipment in a clean, dry area. Store machine away from sparks, open flames, pilot lights, heat and other ignition sources.
- Lightly lubricate all log splitter surfaces and moving parts to prevent rust. (**see maintenance**)
- Store indoors or protected area during severe weather and winter months.
- Refer to **Engine Owner's Manual** for correct engine storage instructions. It is especially important to remove fuel from the engine when the unit is to be stored for an extended period.

Troubleshooting

• Save all instructions

PROBLEM	POSSIBLE CAUSE(S)	SOLUTION(S)
Cylinder rod will not move	<ol style="list-style-type: none"> 1. Insufficient oil to pump 2. Blocked hydraulic lines 3. Blocked control valve 4. Damaged control valve 5. Internal cylinder leak 	<ol style="list-style-type: none"> 1. Check oil level in reservoir 2. Flush and clean the splitter hydraulic system 3. Flush and clean the splitter hydraulic system 4. Return control valve for authorized repair 5. Return cylinder for authorized repair
Slow cylinder rod speed when extending or retracting	<ol style="list-style-type: none"> 1. Insufficient oil to pump 2. Air in oil 3. Excessive pump inlet vacuum 4. Damaged control valve 5. Internal control valve leak 6. Internally damaged cylinder 7. Engine Control out of adjustment 	<ol style="list-style-type: none"> 1. Check oil level in reservoir 2. Check oil level in reservoir 3. Check pump inlet hose for blockage or kinks 4. Return control valve for authorized repair 5. Return control valve for authorized repair 6. Return control valve for authorized repair 7. Adjust idle control nuts
Wood will not split or splits extremely slowly	<ol style="list-style-type: none"> 1. Insufficient oil to pump 2. Air in oil 3. Excessive pump inlet vacuum 4. Low control valve setting 5. Internal control valve leak 6. Internally damaged cylinder 	<ol style="list-style-type: none"> 1. Check oil level in reservoir 2. Check oil level in reservoir 3. Check pump inlet hose for blockage or kinks 4. Adjust control valve with a pressure gauge 5. Return control valve for authorized repair 6. Return cylinder for authorized repair
Engine bogs down during splitting	<ol style="list-style-type: none"> 1. High control valve setting 2. Engine Control out of adjustment 	<ol style="list-style-type: none"> 1. Adjust control valve with a pressure gauge 2. Adjust idle control nuts
Engine stalls under low load condition	<ol style="list-style-type: none"> 1. Blocked hydraulic lines 2. Blocked control valve 3. Engine Control out of adjustment 4. Engine is loaded during idle down mode 	<ol style="list-style-type: none"> 1. Flush and clean the splitter hydraulic system 2. Flush and clean the splitter hydraulic system 3. Adjust idle control nuts 4. Use shorter log length (26" or less) to allow engine to speed up before contact
Engine starts problem	<ol style="list-style-type: none"> 1. Engine operation 	<ol style="list-style-type: none"> 1. Refer to the owner's manual

Technical Service

You may have further questions about assembling, operating, or maintaining this log splitter. If so, you can contact our Technical Service Department at 1-800-737-2112 (English only).

You may also write to:

METL Corporate Office - CORRESPONDENCE ONLY
ATTN: Technical Service – METL
6700 Wildlife Way
Long Grove, IL 60047



**If you need assistance or have any questions, CALL
TOLL FREE: 1-800-737-2112.**

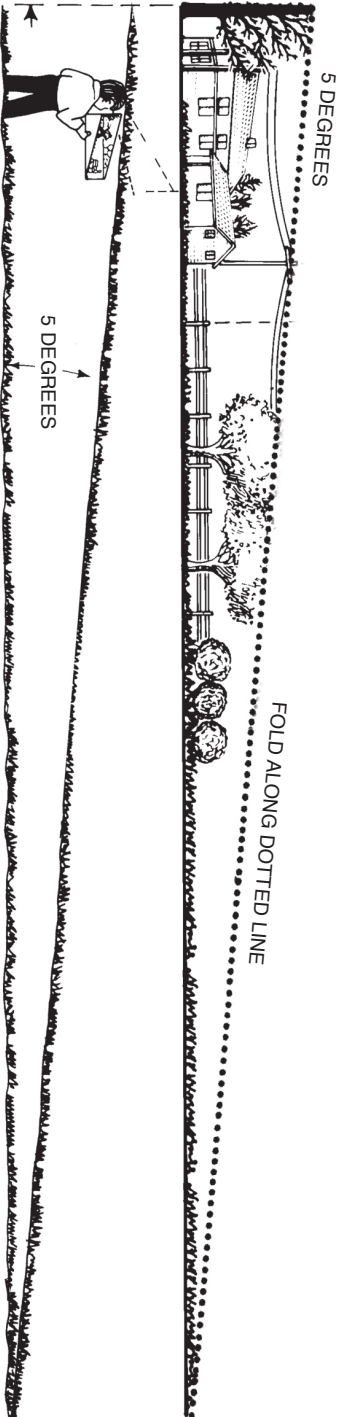
**When contacting the Technical Service Department, have
ready:**

- Your Name
- Your Address
- Your Phone Number
- Model Number of Product
- Date of Purchase
(include copy of receipt for written requests)

SLOPE GUIDE

SIGHT AND HOLD THIS GUIDE LEVEL WITH A VERTICAL TREE, A CORNER OF A STRUCTURE, A POWER LINE POLE, OR A FENCE.

Use this guide and do not split wood on a slope greater than 5 degrees. A 5-degree slope is a hill that increases in height at approximately 1.7 feet in 10 feet.



WARNING!

Use extreme care at all times and avoid sudden turns or maneuvers. Follow other instructions in this manual for safety in splitting wood on slopes. Use extra care when operating on or near slopes and obstructions.

Warranty

• Save all instructions

A Powermate® LOG SPLITTER Limited Warranty

Always specify model number when contacting the factory.

LOG SPLITTER LIMITED WARRANTY

Always specify model number when contacting the factory.

We reserve the right to amend these specifications at any time without notice. The only applicable warranty is our standard written warranty. We make no other warranty, expressed or implied.

MAT Engine Technologies, LLC warrants this Log Splitter for 3 years from the date of purchase and will replace or repair defects in material and workmanship for the original purchaser of the log splitter. For 2 years from the date of purchase, the engine is covered per the engine manufacturer warranty. For 1 year from date of purchase, MAT Engine Technologies, LLC will repair or replace hydraulic system components.

For commercial or reconditioned log splitters, a 90 day warranty is in effect from the first date of purchase from an authorized dealer, provided that the product has been properly maintained and operated in accordance with all applicable instructions. This warranty is extended only to the original retail purchaser. The bill of sales or proof of purchase must be presented at the time a claim is made under this warranty. This warranty does not cover rental usage, nor does it apply to parts that are not in original condition due to normal wear and tear, or parts that fail or become damaged as a result of misuse, accident, lack of proper maintenance, tampering, or alteration.

Exceptions to the standard warranty period would be normal wear items such as cutting wedge, pneumatic tires and tubes, air filters, and spark plugs which are only covered for 60 days against defects in material or workmanship. Travel, handling, transportation, and incidental costs associated with warranty repairs are not reimbursable under this warranty and are the responsibility of the owner.

To the full extent allowed by the law of the jurisdiction that governs the sale of the product, this express warranty excludes any and all other expressed warranties and limits the duration of any and all implied warranties, including warranties of merchantability and fitness for a particular purpose to two years from the date of first purchase.

MAT Engine Technologies, LLC's liability is hereby limited to the purchase price of the product and MAT Engine Technologies, LLC shall not be liable for any other damages whatsoever including indirect, incidental, or consequential damages. Some states do not allow limitation of how long an implied warranty lasts or an exclusion or limitation of incidental or consequential damages, so the above limitation of damages may not apply to you. This warranty provides the original purchaser with specific rights.

For information regarding those rights, please consult the applicable state laws.

METL Corporate Office - CORRESPONDENCE ONLY

ATTN: Technical Service – METL

6700 Wildlife Way

Long Grove, IL 60047



Manuel de l'opérateur NC 25 Tonnes Fendeuse de bûches 208 cc, 4 temps

Modèles N° PLS20825

Regardez à l'intérieur pour :

	Page
Définitions de sécurité	22
Pratiques sécuritaires pour l'utilisation	23-25
Caractéristiques	26
Étiquettes de sécurité	27
Assemblage	28-31
Utilisation	32-34
Illustrations d'utilisation	35
Entretien	36
Dépannage	37
Service technique	38
Guide de pente	39
Garantie	40



IMPORTANT:

Merci d'avoir acheté cette fendeuse de bûches Powermate®.

Ce manuel vous fournit des instructions complètes pour l'exploitation et l'entretien de votre fendeuse de bûches en toute sécurité. Lisez et conservez ces instructions. Reportez-vous à ce manuel à chaque fois avant d'utiliser votre fendeuse de bûches.

Record the following for future reference:

Mfg. Date Code: _____

Date of Purchase: Attach a copy of your sales receipt.

Consumer Toll Free Number: 1-800-737-2112

Consultez le site Web pour le manuel électronique et le livre des pièces de rechange.

www.powermateoutdoor.com

⚠ AVERTISSEMENT

AVERTISSEMENT POUR LA PROPOSITION 65 DE LA CALIFORNIE

L'échappement du moteur, certains de ses constituants, et certains composants du véhicule contiennent ou émettent des substances chimiques connues de l'état de la Californie pour causer le cancer et des malformations congénitales ou d'autres problèmes de reproduction.



Si vous avez une question ou un problème...

APPELEZ GRATUITEMENT : 1 800 737-2112

CONSERVEZ CE MANUEL POUR RÉFÉRENCE FUTURE

7/21/2015

Imprimé en Chine




A203274

Définitions de sécurité

• Conservez ces instructions











Symboles d'alerte de sécurité

Les symboles ci-dessous indiquent des informations importantes sur la sécurité dans ce manuel. Familiarisez-vous avec ces symboles et l'avertissement associés à ces symboles.




 DANGER	Indique une situation imminente extrêmement dangereuse qui, si elle n'est pas évitée, entraînera la mort ou des blessures graves.
 AVERTISSEMENT	Indique une situation potentiellement dangereuse qui, si elle n'est pas évitée, pourrait entraîner la mort ou des blessures graves.
 ATTENTION	Indique une situation potentiellement dangereuse qui, si elle n'est pas évitée, pourrait entraîner des blessures mineures ou modérées.
AVIS	Indique une pratique qui n'est pas reliée à des blessures personnelles, mais qui, si elle n'est pas évitée, peut entraîner des dommages matériels.

Les symboles suivants peuvent être trouvés sur votre fendeuse à bûches. Lisez attentivement et comprenez leur signification.

Symboles d'alerte de sécurité

	Recherchez ce symbole qui indique des mesures de sécurité importantes concernant les risques de blessures. Il signifie : Attention! Devenez vigilant! Votre sécurité est en jeu.		Évitez les blessures aux mains. Gardez les mains loin de la plaque inférieure du coin et des autres pièces mobiles.
	Lisez, comprenez et suivez le manuel de l'opérateur avant de faire fonctionner cette machine. Le non-respect des instructions peut entraîner des blessures graves.		Vérifiez les fuites de fluide hydraulique en passant un morceau de papier ou de carton en dessous ou au-dessus de la zone de la fuite. Ne vérifiez pas les fuites avec votre main. Le fluide qui s'échappe du plus petit trou, sous pression, peut avoir assez de force pour pénétrer la peau ayant pour résultat des dommages aux tissus et provoquer des blessures graves ou la mort.
	Portez une protection oculaire et auriculaire conforme à la norme ANSI z87.1 et des chaussures de protection.		Le moteur produit du monoxyde de carbone, un gaz toxique, inodore et mortel. Ne faites jamais fonctionner un moteur à l'intérieur ou dans un endroit mal ventilé.
	Tenez les spectateurs, les animaux familiers et les enfants à au moins 3 mètres (10 pieds) de la machine lorsqu'elle est en fonctionnement. Arrêtez la machine si quelqu'un pénètre dans la zone.		Ne pas utiliser ou transporter la fendeuse de bûches sur des pentes supérieures à 5 degrés. Ne pas utiliser ou transporter la fendeuse de bûches sur des pentes supérieures à 5 degrés. Bloquez les roues pour empêcher le mouvement et verrouillez la poutre dans la position horizontale ou verticale.
	L'essence est inflammable. Laissez le moteur refroidir pendant au moins deux minutes avant le ravitaillement.		Le cylindre hydraulique et d'autres composants peuvent devenir très chauds. Évitez tout contact. Portez des gants quand vous utilisez la fendeuse de bûches.

Symboles de contrôle et d'utilisation :


	Déplacez la manette de commande de puissance à la position « ON » (MARCHÉ) pour démarrer le moteur. Déplacez la manette de commande de puissance à la position « OFF » (ARRÊT) pour arrêter le moteur.
	Pour démarrer les moteurs froids, déplacez le volet de départ à la position de fermeture complète.
	Déplacez la commande du volet de départ en position de marche quand le moteur se réchauffe et lors du démarrage d'un moteur chaud.

Pratiques sécuritaires importantes pour l'utilisation

• Conservez ces instructions

Responsabilité de l'opérateur

1. Lisez attentivement et suivez ces consignes de sécurité. Ne pas le faire peut entraîner des blessures graves ou la mort.
2. Apprenez à connaître votre produit. Lisez et comprenez ce manuel avant l'utilisation. Comparez les illustrations à la machine. Apprenez l'emplacement et la fonction de tous les contrôles. Bien comprendre la machine avant l'utilisation se traduira par une meilleure performance et une plus grande sécurité.
3. Suivez toutes les instructions lors de l'assemblage de la machine. Si la machine a été achetée à l'état assemblé, l'opérateur doit vérifier soigneusement la machine pour s'assurer qu'elle a été assemblée selon les instructions dans le manuel avant de l'utiliser.
4. Inspectez régulièrement la fendeuse de bûches. Assurez-vous que les pièces ne sont pas pliées, endommagées ou desserrées.
5. Utilisez cet équipement pour son but prévu seulement. Son but prévu est de fendre du bois pour une utilisation dans les foyers.
6. Utilisez la machine uniquement avec les gardes, les boucliers et les autres éléments de sécurité en place et fonctionnant correctement.
7. Entretenez la machine seulement avec des pièces de rechange autorisées ou approuvées.
8. Accomplissez tous les entretiens et mises au point de la machine selon les instructions dans ce manuel.

 - Recherchez ce symbole qui indique des mesures de sécurité importantes. Il signifie : « Attention! Devenez vigilant! Votre sécurité est en jeu. »

DANGER

Le monoxyde de carbone est un gaz toxique. L'utilisation d'un moteur à l'intérieur peut vous tuer en quelques minutes. L'échappement du moteur contient des niveaux élevés de monoxyde de carbone (CO), un gaz toxique que vous ne pouvez pas voir ni sentir. Vous pourriez respirer du monoxyde de carbone même si vous ne sentez pas le gaz d'échappement du moteur.

AVERTISSEMENT

La fendeuse de bûches est capable d'amputer ou d'écraser des mains et des doigts. Lisez et suivez tous les avertissements et les consignes de sécurité sur la fendeuse de bûches et dans ce manuel. Ne pas le faire peut entraîner des blessures graves ou la mort à vous ou aux spectateurs.

AVERTISSEMENT

Afin d'éviter tout démarrage accidentel lors du montage, du transport, du réglage ou des réparations, débranchez toujours le fil de la bougie d'allumage et placez le fil où il ne peut pas venir en contact avec la bougie.

ATTENTION

Le silencieux et d'autres composants du moteur et du système hydraulique deviennent extrêmement chauds pendant le fonctionnement et restent chauds après que le moteur se soit arrêté. Pour éviter de graves brûlures au contact, restez loin de ces zones.

FORMATION DE SÉCURITÉ

1. Lisez, comprenez et suivez le manuel d'instruction d'utilisation et de service soigneusement. Soyez complètement familiarisé avec les contrôles et l'utilisation appropriée de l'équipement. Sachez comment rapidement arrêter la machine et désengager les contrôles.
2. Ne permettez jamais à des enfants de faire fonctionner l'équipement. Ne permettez jamais à des adultes de faire fonctionner l'équipement sans une formation appropriée.
3. Tenez les spectateurs, les animaux familiers et les enfants à au moins 3 mètres (10 pieds) de la machine lorsqu'elle est en fonctionnement. Arrêtez la machine si quelqu'un pénètre dans la zone.
4. Gardez à l'esprit que l'opérateur ou l'utilisateur est responsable des accidents ou des risques aux autres personnes, à leurs biens et à eux-mêmes.

Pratiques sécuritaires importantes pour l'utilisation (Suite)

• *Conservez ces instructions*

PRÉPARATION DE SÉCURITÉ

1. Inspectez soigneusement la zone où l'équipement doit être utilisé et enlever tous les objets étrangers.
2. Utilisez seulement sur un sol de niveau pour garantir la stabilité de la machine.
3. Toujours porter des lunettes de sécurité ou des lunettes de protection pendant le fonctionnement et en effectuant des réglages ou des réparations, pour protéger vos yeux.
4. Ne faites pas fonctionner l'équipement sans porter des vêtements extérieurs adéquats et des lunettes de sécurité. Évitez les vêtements amples et portez des chaussures de protection qui améliorent la traction sur les surfaces glissantes. Portez des gants de travail en cuir.
5. Le carburant est hautement inflammable. Prenez les précautions suivantes :
 - a. Stockez le carburant dans des récipients spécifiquement conçus à cet effet.
 - b. Remplissez le réservoir de carburant à l'extérieur avec un soin extrême. Ne remplissez jamais le réservoir de carburant à l'intérieur. Ne fumez pas pendant le ravitaillement.
 - c. Ajoutez le carburant avant de démarrer le moteur. Ne retirez jamais le bouchon du réservoir de carburant ou ajoutez du carburant lorsque le moteur tourne ou quand le moteur est chaud. Laissez le moteur refroidir au moins deux minutes avant de faire le plein.
 - d. Si du carburant est renversé, n'essayez pas de démarrer le moteur et déplacez la machine loin de la zone de déversement et évitez de créer toute source d'ignition jusqu'à ce que les vapeurs de carburant aient disparu.
 - e. Remplacez fermement tous les bouchons de réservoir et de récipient de carburant.
 - f. Après le ravitaillement, remplacez fermement le bouchon du réservoir de carburant et essayez tout carburant renversé.
 - g. Ne jamais stocker le carburant ou la fendeuse de bûches avec du carburant dans le réservoir dans un bâtiment où les vapeurs peuvent atteindre une flamme nue.
 - h. Ne remplissez jamais des bidons d'essence ou le réservoir de la fendeuse de bûches à l'intérieur d'un véhicule ou dans une caisse de camion. Une décharge accidentelle d'électricité statique peut enflammer les vapeurs de carburant qui pourrait entraîner des blessures graves ou la mort.
6. N'essayez jamais de faire des ajustements lorsque le moteur est en marche.
(Sauf si spécifiquement recommandé par le fabricant)

SÉCURITÉ HYDRAULIQUE

1. Le système hydraulique de la fendeuse de bûches nécessite une inspection méticuleuse. Portez des lunettes de protection et des gants pendant l'inspection. Veillez à remplacer les tuyaux (flexibles) hydrauliques ou les composants hydrauliques effilochés, déformés, fissurés ou autrement endommagés.

▲ AVERTISSEMENT

Le fluide hydraulique peut être sous haute pression ou être chaud et peut causer des blessures. Une fuite de liquide hydraulique peut créer un risque d'incendie et s'enflammer si exposée à une source d'inflammation. Lisez, comprenez et suivez les consignes de sécurité suivantes.

2. Le fluide hydraulique peut être sous haute pression ou être chaud et peut causer des blessures.
3. Une fuite de liquide hydraulique peut créer un risque d'incendie et s'enflammer si exposée à une source d'inflammation.
4. Lisez, comprenez et suivez les consignes de sécurité suivantes.
5. Vérifiez les fuites de fluide hydraulique en passant un morceau de papier ou de carton en dessous ou au-dessus de la zone de la fuite.
6. Ne vérifiez pas les fuites avec votre main.
7. Le fluide qui s'échappe du plus petit trou, sous pression, peut avoir assez de force pour pénétrer la peau ayant pour résultat des dommages aux tissus et provoquer des blessures graves ou la mort. L'utilisation de la machine devrait être arrêtée jusqu'à ce que toute fuite détectée soit réparée.
8. Consultez un professionnel de la santé **immédiatement** (voir page 11) si vous êtes blessé par une fuite de liquide hydraulique. Une infection ou réaction sérieuse peut se développer si un traitement médical n'est pas administré immédiatement.
9. Soulagez toute la pression en fermant le moteur et en déplaçant la poignée de commande de soupape d'avant en arrière s'il devenait nécessaire de desserrer ou d'enlever tout raccord hydraulique.

Pratiques sécuritaires importantes pour l'utilisation (Suite)

• Conservez ces instructions

1. Ne retirez pas le bouchon du réservoir hydraulique pendant que la fendeuse de bûches est en marche. Le réservoir peut contenir de l'huile chaude sous pression qui pourrait entraîner des blessures graves.
2. N'ajustez pas la valve hydraulique. La soupape de décharge de la pression sur la fendeuse de bûches est préréglée en usine. Seul un technicien d'entretien qualifié devrait effectuer cet ajustement.

UTILISATION

1. Ne mettez pas les mains près des composants mobiles. Le contact avec le coin de fendage peut amputer des doigts ou des mains.
2. Ne laissez jamais les spectateurs venir à moins de 3 mètres (10 pieds) de la machine quand elle est en marche. Tenez les enfants et les animaux de compagnie à l'écart.
3. Ne faites jamais fonctionner la machine sans que les gardes, les boucliers et les autres éléments de sécurité soient en place.
4. Le moteur et son système d'échappement et le système hydraulique peuvent devenir chauds et peuvent causer des brûlures. Ne touchez pas.
5. Précautions de remorquage:
 - a. Ne remorquez jamais la machine à des vitesses plus grandes que 45 miles à l'heure.
 - b. Référez-vous toujours au manuel du propriétaire du véhicule pour un remorquage approprié.
 - c. Fixez et verrouillez la fendeuse de bûches à l'attelage du véhicule avant de la remorquer.
 - d. Vérifiez que la taille correcte de boule de 2 pouces est sur le véhicule tracteur.
 - e. Assurez-vous que les chaînes de sécurité sont correctement attachées avant le remorquage.
 - f. Consultez et conformez-vous aux réglementations locales ou nationales relatives à l'utilisation de la route.
 - g. Ne transportez pas de passagers ou ne les laissez s'asseoir ou se tenir debout sur la fendeuse de bûches.
 - h. Évitez les gros trous ou fossés en remorquant l'équipement.
6. Faites preuve de prudence pour éviter de glisser ou de tomber. Maintenez un espace de travail exempt de bois et de débris.
7. Ne faites pas fonctionner le moteur dans un espace confiné où les vapeurs dangereuses d'oxyde de carbone peuvent s'accumuler.
8. Si la machine commence à vibrer de façon anormale, arrêtez le moteur et vérifiez immédiatement la cause. La vibration est généralement un signe d'avertissement qu'il y a un problème.
9. Arrêtez le moteur en quittant la position de marche et quand vous faites toutes réparations, réglages et inspections.
10. Prenez toutes les précautions possibles comme recommandé par le fabricant lorsque vous laissez la machine sans surveillance. Arrêtez le moteur, ne laissez pas l'appareil sans surveillance jusqu'à ce que toutes les pièces mobiles soient venues à un arrêt complet.
11. Avant de nettoyer, réparer ou inspecter, arrêtez le moteur et assurez-vous que toutes les pièces mobiles sont venues à un arrêt complet. Débranchez le fil de la bougie d'allumage gardez le fil à l'écart de la bougie pour éviter un démarrage accidentel.
12. Ne surchargez pas la machine en essayant de fendre du matériel au-delà de la recommandation du fabricant.
13. Utilisez uniquement des accessoires et fixations approuvées par le fabricant de la machine.
14. Ne faites jamais fonctionner la machine sans une bonne visibilité ou lumière.
15. Ne changez pas le réglage du régulateur de moteur ou n'augmentez pas la vitesse du moteur. Ceci peut entraîner que le moteur fonctionne à une vitesse dangereuse.
16. Démarrez le moteur avec soin selon les instructions du fabricant.
17. Ne déplacez jamais la machine lorsque le moteur est en marche.
18. Ne faites pas fonctionner la machine lorsque vous êtes sous l'influence d'alcool ou de drogues.

PRÉCAUTIONS D'ASSEMBLAGE :

Ce produit nécessite de l'assemblage avant l'utilisation. Voyez la section « Assemblage » pour des instructions.

▲ ATTENTION

En raison du poids et de la taille des composants de la fendeuse de bûches, il est nécessaire que deux adultes soient présents pour aider à l'assemblage. N'assemblez pas l'unité sans deux adultes présents.

Caractéristiques

• Conservez ces instructions

Poids (Unité).....	439 lb (199kg)	Dimensions du cylindre hydraulique	4,13
Force du piston.....	25 tonnes	pouces diamètre intérieur et course de	24,5 pouces
Durée d'un cycle.....	16 secondes	Pression hydraulique maximale	3625PSI
Taille du coin.....	Acier trempé de 8 pouces	Pression hydraulique maximale	11 gallons par minute
Pompe d'engrenage	2 étages	Type d'attache	Coupleur pour boule de 2 pouces
Longueur de bûches maximale	26 pouces	Vitesse de remorquage maximale.....	45 miles à l'heure (mi/h)
Diamètre de bûches maximal.....	30 pouces	Taille des pneus.....	4,80 x 8 -16 pouces
Taille du moteur.....	208cc	Pression maximale de gonflage des pneus	30 PSI
Capacité d'huile moteur.....	16ounces(470ml)	Couples des boulons:	
Type d'huile moteur	API SG-SL 10W-30	- Plaque M6 X 20, filtre, aspiration fixe.....	4 - 7 pi-lbs (8 - 10 Nm)
Haute vitesse du moteur	3750 RPM (sans charge)	- Pompe au logement du coupleur.....	11 - 18 pi-lbs (15 - 25 Nm)
Type à essence	Ordinaire sans plomb/87	- Moteur à la plaque de montage de	11 - 18 pi-lbs (15 - 25 Nm)
octanes (min) (maximum 10 % d'éthanol)		- Filtre à huile hydraulique externe.....	26 - 33 pi-lbs (35 - 45 Nm)
Capacité d'essence	0,7gallon (2,6L)	- Coupleur de remorquage de 2 pouces à la barre de remorquage	37 - 59 pi-lbs (50 - 80 Nm)
Pompe d'engrenage	2 étages		
Type d'huile hydraulique.....	10 wt. AW32, ou ISO 32		
Capacité de fluide hydraulique.....	6,5 gallons totaux		
(l'utilisateur doit insérer env. 3,2 galons durant la configuration	initiale)		

AVIS

Reportez-vous au **Manuel du propriétaire du moteur** pour les caractéristiques du moteur.

NOTE: De système d'allumage par étincelle est conforme à la norme canadienne ICES-002.

Contrôles et fonctionnalités

Lisez, comprenez et suivez le manuel de l'opérateur avant de faire fonctionner cette machine. Familiarisez-vous avec l'emplacement et la fonction des commandes et caractéristiques. Conservez ce manuel pour référence future. (Voir fig. 1)

1. **Coupleur** - Attache la fendeuse à la boule de 2 pouces du véhicule tracteur.
2. **Cylindre hydraulique** - cylindre de 4,13 pouces x 24,5 pouces.
3. **Levier de soupape de commande** - Contrôle le mouvement vers l'avant et vers l'arrière du coin de fendage.
4. **Coin de 8 pouces** - Comporte des ailes de coin et des extrémités effilées rendant le fendage plus facile.
5. **Filtre externe** - Filtre l'huile hydraulique.
6. **Poutre** - 9,7 pouces de large
7. **Moteur** - Le moteur refroidi à l'air actionne la pompe hydraulique.
8. **Pneus** - La vitesse de remorquage maximale permise est de 45 mi/h.
9. **Pompe d'engrenage** - Pompe l'huile hydraulique dans le système.
10. **Jambe de soutien** - Soutient la fendeuse de bûches pendant le fonctionnement.
11. **Chaînes de sécurité** - Dispositif de sécurité pour empêcher la perte de la fendeuse de bûches durant le remorquage.

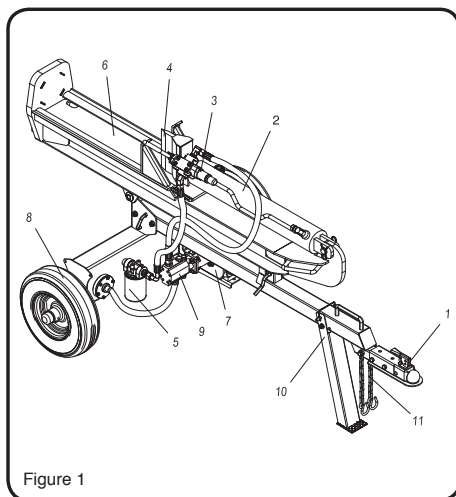


Figure 1

Étiquettes de sécurité

• Conservez ces instructions



Si vous avez besoin d'aide ou trouvez que des pièces sont manquantes, composez sans frais : 1 800 737-2112

Cette fendeuse de bûches a été conçue et fabriquée pour vous offrir la sécurité et la fiabilité dont vous vous attendez d'un chef de file de l'industrie dans la fabrication d'équipement extérieur à moteur.

Bien que la lecture de ce manuel et des instructions de sécurité qu'il contient vous fournit les connaissances de base nécessaires à l'utilisation sécuritaire et efficace de cet équipement, nous avons placé plusieurs étiquettes de sécurité sur la fendeuse de bûches pour vous rappeler cette information importante et vous avertir des dangers spécifiques pendant le fonctionnement de la machine.

Ces importantes étiquettes de sécurité sont illustrées ci-dessous et sont présentées ici pour aider à vous familiariser avec l'emplacement et le contenu des messages de sécurité que vous verrez lorsque vous effectuerez l'utilisation normale de mise en copeaux et de déchetage.

Veillez examiner ces étiquettes maintenant. Si vous avez des questions quant à leur signification ou comment vous conformer à ces instructions, lisez de nouveau au complet le texte Pratiques sécuritaires importantes pour l'utilisation ou contactez votre revendeur local.

Si l'une des étiquettes de sécurité devient illisible parce qu'elle est usée, fanée ou endommagée lors de l'utilisation de votre fendeuse de bûches, veuillez contacter votre revendeur agréé local pour commander une étiquette de remplacement.

Les étiquettes de sécurité sont faciles à appliquer et agissent comme un constant rappel visuel pour vous et pour d'autres qui peuvent utiliser l'équipement. Suivre les instructions de sécurité est nécessaire pour un fonctionnement sûr et efficace de votre fendeuse de bûches.

AVIS
Gardez la poutre propre et exempte de débris pour éviter d'endommager la fendeuse de bûches.

▲ AVERTISSEMENT

Risque de pincement
Évitez les blessures aux mains.
Vérifiez la jambe de soutien en position basse en insérant le godaillie avant de fendre.

▲ AVERTISSEMENT

Risque d'écrasement
Évitez les blessures aux mains.
• Lors du mouvement de la poignée à la position horizontale, alignez les mains de l'arrêt de la poignée.
• Évitez plus completely locks beam before splitting or felling.

▲ AVERTISSEMENT

Évitez des blessures graves ou la mort pendant le remorquage

- Lisez et suivez les instructions du manuel de l'opérateur pour la fixation correcte et le remorquage.
- Vérifiez que la taille correcte de boucle de 2 pouces est sur la véhicule tracteur.
- Assurez-vous que les chaînes de sécurité sont correctement attachées avant le remorquage.
- Ne dépassez jamais la vitesse de remorquage maximale de 45 mil/h.

▲ AVERTISSEMENT

Risque d'écrasement
Évitez les blessures graves ou la mort.
• Ne touchez pas les pièces mobiles pendant le fonctionnement.

▲ AVERTISSEMENT

Lisez et suivez les instructions de fonctionnement avant de faire fonctionner la fendeuse de bûches.

Risque d'impact ou de pincement

- Tenez les spectateurs à au moins 3 mètres (10 pieds) de distance.
- Une seule personne devrait opérer et charger la fendeuse, en restant dans la zone désignée pour l'opérateur.

▲ AVERTISSEMENT

Risque d'injection de fluide hydraulique
Évitez les blessures aux mains.
• Le fluide à haute pression s'échappant par un petit trou peut pénétrer la peau et causer des blessures graves.
• Évitez le contact avec des fuites de fluides.
• Vérifiez pour des fuites en utilisant de papier, jamais vos mains.

Risque de renversement et de pente
Évitez les blessures.
• N'utilisez pas et ne transportez pas la fendeuse de bûches sur des pentes supérieures à 5 degrés.
• Bloquez les roues pour empêcher le mouvement et verrouillez la poutre dans la position horizontale ou verticale.

▲ AVERTISSEMENT

Risque de brûlures
Évitez les brûlures de la peau

- Le cylindre hydraulique et d'autres composants peuvent devenir très chauds.
- Évitez tout contact.
- Portez des gants lors de l'utilisation.

Consignes d'utilisation

- Portez des gants, des lunettes et des bottes de sécurité approuvées par ANSI.
- Placez la fendeuse sur une surface plane avec les roues bloquées.
- Après avoir vérifié les niveaux de fluides appropriés, démarrez le moteur et laissez l'huile chauffer.
- Positionnez la bûche sur la poignée et centre le bras de l'extendeur. Démarrez l'extendeur à l'aide du bras de guidage et tenez la bûche par les côtés lors du déchetage.
- Posez la poignée de la machine de commande vers l'avant pour régler la bûche.
- Tenez la poignée de la machine de commande vers l'arrière pour ramener le bras à sa position initiale.

Assemblage

• Conservez ces instructions

▲ ATTENTION

ATTENTION: Lisez, comprenez et suivez toutes les instructions pour l'assemblage et l'utilisation. Le manque de correctement assembler cet équipement pourrait entraîner des blessures graves à l'utilisateur ou à un spectateur, ou causer des dommages à l'équipement.

INSTRUCTIONS DE DÉBALLAGE

Placez la caisse d'expédition sur une surface plane solide et enlevez soigneusement le couvercle. Utilisez deux adultes et sortez toutes les pièces de la caisse de transport et inspectez les composants pour vous assurer qu'il n'y a pas de pièces manquantes avant de commencer à assembler la fendeuse de bûches en suivant les étapes 1 à 9.

CONTENU DE LA BOÎTE		QTY
1	Ensemble du moteur et de la pompe	1
2	Ensemble du réservoir d'huile hydraulique	1
3	Ensemble de la barre de remorquage	1
4	Jambe de soutien	1
5	Ensemble de la poutre	1
6	Ensembles de roues	2
7	Paquet de quincaillerie	1
8	Manuel du propriétaire et manuel du moteur	1
9	Enjoliveurs de roue et tube d'assemblage	2

OUTILS REQUIS

- Marteau en caoutchouc ou en bois
- Clés à douille ou clés ouvertes de 13 mm, 16 mm, 17 mm et 19 mm
- Une clé à molette de 8 pouces et une clé à molette de 10 pouces
- Tournevis Phillips
- Clé dynamométrique (pi-livres.)
- Pinces

Étape 1 : Assemblage des roues

1. Fixez la roue (n° 2) à l'axe du réservoir d'huile (n° 1) en utilisant une rondelle plate Ø20 (n° 6) et un écrou hexagonal fendu M20 (n° 3). L'écrou fendu devrait être serré à la main et ensuite serré lentement avec une clé jusqu'à ce que le jeu latéral soit retiré de l'ensemble de paliers. Tournez la roue tout en serrant l'écrou. La roue devrait tourner librement. Installez la goupille fendue Ø4x36 (n° 4) à travers une fente dans l'écrou M20 (n° 3) et le trou dans l'axe. Si nécessaire, l'écrou fendu peut être légèrement desserré jusqu'à ce qu'une fente dans l'écrou s'aligne avec le trou dans l'axe.
2. Une fois la goupille installée, pliez les deux extrémités de la goupille pour empêcher sa perte. Tournez la roue et observez pour un mouvement continu et libre. (Voir fig. 2)

▲ AVERTISSEMENT

L'installation de la goupille est importante et nécessaire. Ne pas installer la goupille peut entraîner la perte de la rétention de la roue. Toujours assembler en utilisant une nouvelle goupille, ne pas réutiliser.

3. Installez le chapeau d'essieu (n° 5) à l'extrémité à l'aide d'un marteau en caoutchouc.

AVIS

La rondelle plate Ø20 (n° 6), l'écrou hexagonal fendu M20 (n° 3) et la goupille Ø4x36 (n° 4) ne sont pas situés dans le paquet de quincaillerie, mais sont déjà assemblés de manière lâche dans les axes de la fendeuse de bûches.

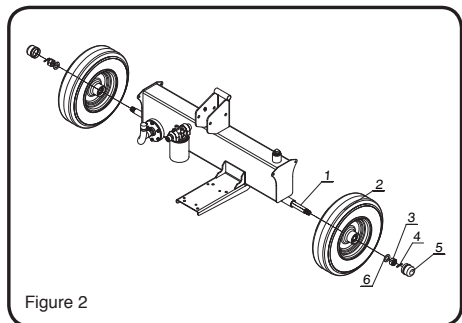


Figure 2

Assemblage (Suite)

• Conservez ces instructions

Étape 2 : Attacher la jambe de soutien à la barre de remorquage

1. Attachez la jambe de soutien (n° 6) à la barre de remorquage (n° 1) solidement en utilisant un boulon hexagonal M10c95 (n° 5), une rondelle plate Ø10 (n° 3), un contre-écrou en nylon M10 (n° 2) et une goupille de sécurité A (n° 4). (Voir fig. 3)

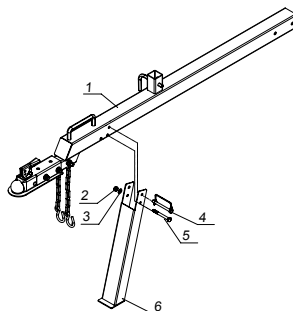


Figure 3

Étape 3 : Attacher la barre de remorquage au réservoir hydraulique

1. Attachez la barre de remorquage (n° 1) au réservoir hydraulique et fixez-la en utilisant des boulons hexagonaux M12x100 (n° 4), une rondelle plate Ø12 (n° 3) et un contre-écrou en nylon M12 (n° 2). (Voir fig. 4)

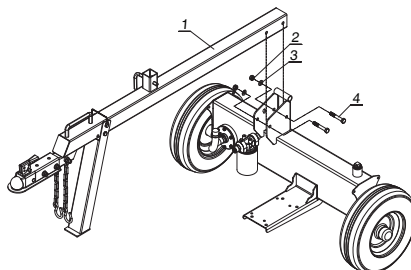


Figure 4

Étape 4 : Attacher l'ensemble de poutre

1. Attachez l'ensemble de poutre (n° 1) au réservoir hydraulique et fixez-le en utilisant la goupille de charnière (n° 2) et la goupille à ressort Ø3 (n° 3).
2. Faire pivoter le faisceau à la position horizontale et fixer avec la goupille de verrouillage avant. (Voir fig. 5)

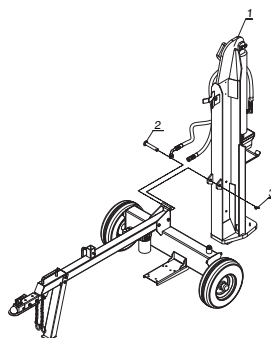


Figure 5

Assemblage (Suite)

• Conservez ces instructions

Étape 5 : Attacher le moteur à la plaque de montage

1. Placez le moteur (n° 4) et le fixer à la plaque de montage. Lieu des boulons hexagonaux M8x65 (n° 5) à travers le dessous de la plaque (les boulons devraient passer au travers des blocs, de la rondelle plate et la base du moteur). Placez une rondelle plate Ø8 (n° 2) et serrez l'écrou de blocage en nylon M8 (n° 1) à 15 pi-lb de couple.
2. Attachez le tuyau clair d'huile (n° 7) au bas de la pompe d'engrenage et fixez-la avec la bride (n° 6). (Voir fig. 6)

Étape 6A : Attachez les tuyaux hydrauliques

AVIS

Tous les ports hydrauliques ont des bouchons en plastique pour empêcher la perte d'huile pendant l'expédition. Ces bouchons doivent être enlevés avant l'assemblage. Parce que l'appareil a été testé en usine, il y a un peu d'huile hydraulique dans les lignes. Il est recommandé d'avoir un petit récipient pour recueillir l'huile qui coulera des lignes débouchées pendant l'assemblage.

1. Mettez le joint torique Ø11 (n° 3) sur le connecteur arrière de sortie de la pompe (n° 4), fixez le tuyau hydraulique (n° 2) sur le connecteur arrière de sortie de la pompe (n° 4).
2. Mettez le joint torique Ø17 (n° 6) sur le connecteur de filtre externe (n° 5)
3. Fixez le tuyau hydraulique de retour (n° 1) sur le connecteur (n° 5). (Voir fig. 7A)

Étape 6B: Joindre soupape de controle

1. Retirez la goupille fendue avec ressort (n°1) et la goupille de retenue (n°2), de la biellette de la soupape de controle (n°3). (Voir fig. 7B)
2. Tournez le levier de commande (#4) jusqu'à ce que son propre orifice soit aligne a celui de la soupape de controle (n°3).

Introduisez la goupille de retenue (n°2), a travers la soupape de controle (n°3) et le levier de commande (n°4) et par la suite, fixez-le en place a l'aide de goupille fendue avec ressort (n°1).

Étape 7 : Ajouter l'huile pour moteurs

1. Assurez-vous que la fendeuse de bûches est sur une surface de niveau.
2. Enlevez le bouchon-jauge de remplissage d'huile pour vérifier le niveau d'huile. Notez que si l'appareil a été préassemblé par le magasin de vente au détail, de l'huile peut déjà avoir été ajoutée.
3. Reportez-vous au manuel séparé du propriétaire du moteur pour la quantité nécessaire d'huile pour moteurs SAE 10W-30; ajoutez de l'huile au niveau approprié et remettez le bouchon-jauge de remplissage.
4. Vérifiez le niveau d'huile pour moteurs tous les jours et ajoutez selon les besoins.

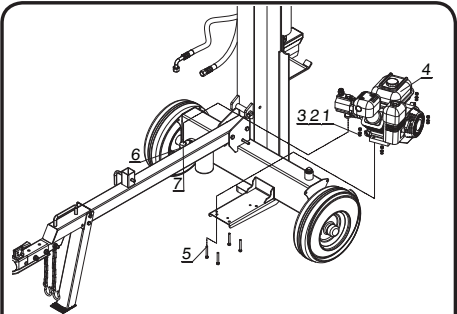


Figure 6

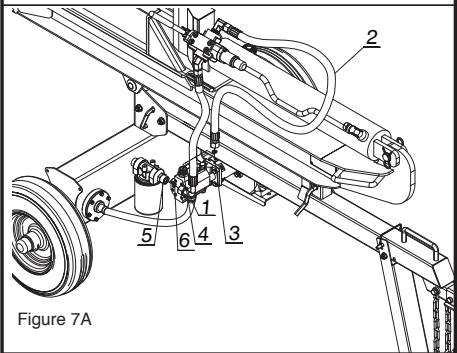


Figure 7A

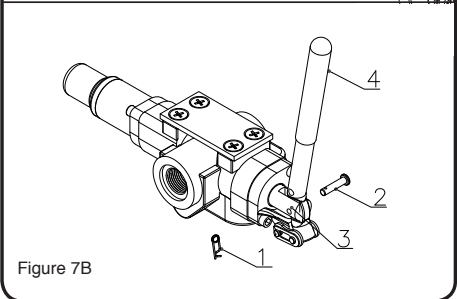


Figure 7B

AVIS

Pendant la période de rodage, vérifiez souvent le niveau d'huile pour moteurs.

NE TENTEZ PAS de démarrer le moteur sans qu'il ait été rempli avec le type et la quantité d'huile recommandés. Les dommages à la fendeuse de bûches à la suite du manque de suivre ces instructions annuleront votre garantie.

Assemblage (Suite)

• Conservez ces instructions

Étape 8 : Ajouter de l'essence au moteur

1. Utilisez uniquement de l'essence ordinaire propre, fraîche sans plomb avec un classement d'octane minimum de 87.
2. NE MÉLANGEZ PAS l'huile et le carburant.
3. Retirez le bouchon de carburant et ajoutez lentement le carburant dans le réservoir. NE REMPLISSEZ PAS trop et laissez environ 1/2 pouce d'espace pour l'expansion du carburant.
4. Vissez le bouchon du réservoir et essuyez tout déversement de carburant.

▲ DANGER

- L'échappement du moteur de la fendeuse de bûches contient du monoxyde de carbone, un gaz toxique incolore et inodore.
- L'inhalation de monoxyde de carbone peut provoquer des nausées, des étourdissements, des évanouissements ou la mort. Si vous commencez à vous sentir pris de vertige ou de faiblesse, sortez immédiatement à l'air frais.
- Utilisez la fendeuse de bûches à l'extérieur seulement dans un endroit bien ventilé.
- NE FAITES PAS fonctionner la fendeuse de bûches à l'intérieur d'un bâtiment, d'une enceinte ou d'un compartiment.
- NE LAISSEZ PAS les gaz d'échappement pénétrer une zone confinée par des fenêtres, des portes, des événements ou d'autres ouvertures.

▲ AVERTISSEMENT

- Le carburant et les vapeurs de carburant sont fortement inflammables et extrêmement explosifs. Un incendie ou une explosion peut provoquer des brûlures graves ou la mort.
- Un démarrage accidentel peut causer un étranglement, une amputation ou des lacerations.
- Utilisez uniquement de l'essence ordinaire propre, fraîche sans plomb avec un classement d'octane minimum de 87.
- Remplissez le réservoir jusqu'à environ 1/2 pouce en dessous de la partie supérieure du réservoir pour permettre l'expansion du carburant. NE remplissez PAS le réservoir de carburant à l'intérieur ou lorsque le moteur est en marche ou chaud.
- N'allumez PAS de cigarettes et ne fumez pas lors du remplissage du réservoir de carburant.

Étape 9 : Ajouter de l'huile hydraulique

1. La fendeuse de bûches doit être sur une surface plane, de niveau, avant d'ajouter de l'huile hydraulique.
2. Enlevez le bouchon d'huile du réservoir d'huile hydraulique. Vérifiez le niveau d'huile hydraulique. Si l'appareil a été préassemblé par le magasin de vente au détail, de l'huile hydraulique peut déjà avoir été ajoutée.
3. Si nécessaire, ajoutez jusqu'à 3,2 gallons (12 litres) d'huile hydraulique. 10W AW32 et ISO 32 sont des types de fluides acceptables.
4. Vérifiez le niveau d'huile hydraulique.
5. Démarrez le moteur et utilisez le levier de commande pour étendre et rétracter le coin plusieurs fois pour éliminer l'air dans les lignes.
6. Avec le coin rétracté, vérifiez de nouveau le niveau d'huile hydraulique et remplissez à nouveau si nécessaire.

▲ AVERTISSEMENT

Le fluide hydraulique peut être sous haute pression ou être chaud et peut causer des blessures.

- N'enlevez PAS le bouchon de remplissage d'huile hydraulique lorsque le moteur est en marche ou chaud. L'huile chaude peut s'échapper en provoquant des brûlures graves. Laissez toujours la fendeuse de bûches refroidir complètement avant d'enlever le bouchon d'huile hydraulique.
- De hautes pressions et températures de fluide sont créées dans les fendeuses de bûches hydrauliques. Le fluide hydraulique peut s'échapper par une ouverture de la taille d'un trou d'épingle et peut perforer la peau et causer un grave empoisonnement du sang. Inspectez le système hydraulique régulièrement pour déceler des fuites possibles.
- Ne jamais vérifier pour des fuites avec votre main lorsque le système est sous pression.
- Vérifiez les fuites de fluide hydraulique en passant un morceau de papier ou de carton en dessous ou au-dessus de la zone de la fuite.
- Consultez un professionnel de la santé immédiatement si vous êtes blessé par une fuite de liquide hydraulique.
- Assurez-vous que tous les raccords sont bien serrés avant d'appliquer la pression.
- Relâchez la pression du système avant de faire de l'entretien.
- Assurez-vous que les tuyaux hydrauliques flexibles ne touchent pas les surfaces chaudes ou les zones de coupe.
- Les tuyaux doivent être positionnés là où ils sont loin du moteur et du coin de fente. Pour éviter des blessures corporelles graves, inspectez toujours les tuyaux avant de faire fonctionner la fendeuse de bûches.

Utilisation

• Conservez ces instructions

A Avant de faire fonctionner

Avant de faire fonctionner ou d'utiliser la fendeuse de bûches, relisez les instructions ci-dessous et toutes les informations de sécurité. Le manque de respecter de ces instructions peut entraîner des dommages matériels ou des blessures à l'opérateur ou aux spectateurs.

▲ AVERTISSEMENT

- Utilisez la fendeuse de bûches uniquement pour l'usage prévu de fendre du bois.
- Lors du changement de la fendeuse de bûches du fonctionnement à la verticale à l'horizontale, ne laissez pas tomber soudainement la poutre. Gardez les mains et les doigts loin des points de pincement ou d'écrasement à tout moment.
- Lors de l'utilisation en position verticale, assurez-vous que la goupille de verrouillage de la poutre s'engage dans la poutre pour empêcher tout mouvement accidentel.
- Utilisez la fendeuse de bûches pour fendre des bûches de bois dans le sens de la longueur avec le grain.
- Ne pas modifier, altérer ou changer la fendeuse de bûches en aucune façon.
- Ne jamais attacher une corde, un câble ou autre dispositif sur le levier de commande de la fendeuse de bûches.
- Utilisez la fendeuse de bûches seulement pendant le jour avec une bonne lumière et visibilité.
- Ne laissez pas la fendeuse de bûches sans surveillance lorsque le moteur est en marche.
- Ne changez pas la position de fente avec le moteur en marche. Le contact avec le silencieux peut provoquer de graves brûlures.
- Ne jamais utiliser ou laisser quelqu'un d'autre utiliser la fendeuse de bûches lorsque sous l'influence de l'alcool, de drogues ou de médicaments.

B Liste de vérification avant le démarrage

1. Assurez-vous que tous les dispositifs de sécurité sont en place et que tous les écrous et boulons sont bien serrés.
2. Portez toujours un équipement de sécurité, des lunettes de protection, des gants et des bottes de sécurité lors de l'utilisation de la fendeuse.
3. Assurez-vous que la machine est sur une surface sèche, plane et de niveau. Bloquez les roues pour empêcher le mouvement. Ne pas utiliser sur une pente supérieure à 5 degrés. (voir le Guide de pente)
4. Verrouillez la poutre en position horizontale ou verticale.
5. Vérifiez le niveau d'huile dans le carter du moteur et le réservoir hydraulique. Voyez votre Manuel du propriétaire du moteur pour les procédures et les spécifications.
6. Inspectez visuellement tous les tuyaux et les accessoires pour des fuites et la sécurité.
7. Inspectez le filtre à air pour la propreté. Voyez votre Manuel du propriétaire du moteur pour les procédures.
8. Vérifiez l'alimentation en carburant, remplissez le réservoir pas plus près que 1/2 pouce (12,7 mm) du haut du réservoir pour fournir un espace pour l'expansion du carburant. Voyez votre Manuel du propriétaire du moteur pour des recommandations de carburant.
9. Assurez-vous que le fil de la bougie d'allumage est attaché et que la bougie est bien serrée.
10. Cherchez des signes de dommages sur la machine et le moteur.
11. Enlevez les débris excessifs des gardes du moteur et de la zone du silencieux.
12. La fendeuse de bûches doit avoir au moins deux mètres (sept pieds) de dégagement des matières combustibles. Elle doit être sur une surface sèche et de niveau avec bonne prise de pied. Ne pas travailler sur de la boue, de la glace, de la broussaille ou de la neige. Lorsque vous utilisez la fendeuse de bûches, la zone de travail doit être bien entretenue en tout temps.

C Précautions de remorquage

▲ AVERTISSEMENT

Des blessures graves ou la mort peuvent survenir si les règles de sécurité de remorquage ne sont pas suivies.

- Avant de remorquer la fendeuse de bûches, vérifiez les pneus pour de l'usure excessive, des coupures ou des dommages. Vérifiez la pression adéquate des pneus. Ajoutez de l'air selon les besoins. Ne gonflez pas trop les pneus. Des blessures graves peuvent survenir si les pneus explosent.
- Vérifiez que la taille correcte de boule de 2 pouces est sur le véhicule tracteur.
- Référez-vous toujours au manuel du propriétaire du véhicule pour des instructions de sécurité et de remorquage approprié.
- Utilisez toujours les chaînes de sécurité. Fixez et verrouillez la fendeuse de bûches à l'attelage du véhicule avant de la remorquer. Conduisez prudemment. Soyez conscient de la longueur ajoutée par la fendeuse de bûches.
- Ne dépassez jamais la vitesse de voyage maximale de 45 mi/h.

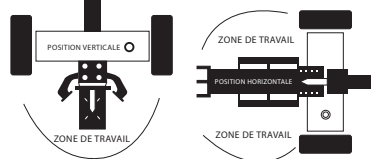
Utilisation (Suite)

• Conservez ces instructions

- Ne mettez ou transportez jamais une cargaison sur la fendeuse de bûches.
- Never ride or transport cargo on the log splitter.
- Éteignez le véhicule avant de laisser la fendeuse de bûches sans surveillance. Bloquez les roues de la fendeuse de bûches pour empêcher un mouvement involontaire.

D Zone de travail de l'opérateur

NOTE: Des accidents graves peuvent se produire lorsque d'autres personnes sont autorisées à l'intérieur de la zone de travail. Tenez tout le monde en dehors de la zone de travail lorsque vous actionnez le levier de commande.



E Démarrage du moteur

Une description plus détaillée du fonctionnement du moteur et de toutes les précautions et les procédures relatives peut être trouvée dans le Manuel du propriétaire du moteur qui accompagne chaque fendeuse de bûches. Lisez et suivez ces instructions.

POUR ARRÊTER LE MOTEUR (FIG. 8)

Déplacez la manette de commande de puissance à la position « OFF » (ARRÊT). Reportez-vous au Manuel du propriétaire du moteur pour plus d'informations. N'utilisez pas le volet de départ pour arrêter le moteur.

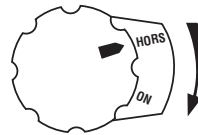


Figure 8

POUR DÉMARRER LE MOTEUR (FIG. 9) (Démarrages à froid)

1. Déplacez le contrôle du volet de départ à la position de fermeture complète. |#|
2. Déplacez la manette des gaz loin de la position SLOW (LENT), environ 1/3 du chemin vers la position FAST (RAPIDE).
3. Déplacez la manette de commande de puissance à la position « ON » (MARCHÉ).
4. Tenez fermement la poignée du démarreur. Tirez la poignée du démarreur lentement jusqu'à ce que vous sentiez une résistance, puis tirez rapidement.
5. Lorsque le moteur est démarré, déplacez le volet de départ à la position de marche. |#|



Figure 9

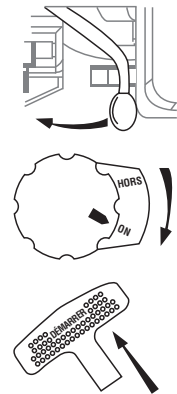


Figure 10

POUR DÉMARRER LE MOTEUR (FIG. 10) (Démarrages à chaud)

Redémarrer un moteur chaud ne nécessite pas l'utilisation du volet de départ.

1. Déplacez la manette des gaz loin de la position SLOW (LENT), environ 1/3 du chemin vers la position FAST (RAPIDE).
2. Tirez la poignée du démarreur lentement jusqu'à ce que vous sentiez une résistance, puis tirez rapidement.

Utilisation (Suite)

• Conservez ces instructions

F Démarrage de la fendeuse de bûches

AVIS

L'huile hydraulique doit être au-dessus de 10 °F (-12 °C) avant de démarrer le moteur. De l'huile hydraulique froide peut endommager la pompe hydraulique. Si la température de l'air extérieur est inférieure à 32 °F (0 °C) permettez à la fendeuse de se réchauffer en étendant et en ramenant le coin plusieurs fois avant de fendre du bois.

1. Mettez la jambe de soutien dans la position vers le bas et installez la tige de verrouillage. Bloquez les deux pneus pour empêcher la fendeuse de se déplacer pendant le fonctionnement.
2. Réglez la fendeuse soit dans la position horizontale ou verticale et verrouillez avec la tige de verrouillage.

AVIS

La position HORIZONTALE est utilisée pour les bûches plus légères qui peuvent facilement être chargées sur la poutre. La position VERTICALE est utilisée pour les bûches légères ou les bûches lourdes qui peuvent difficilement être chargées sur la poutre.

ATTENTION

Des blessures au dos peuvent résulter de la levée de bûches sur la fendeuse de bûches si des techniques de levage appropriées ne sont pas utilisées.

3. Pour charger une bûche sur la poutre contre la plaque d'extrémité, saisissez la bûche par les côtés et non pas par les extrémités. (Longueur maximale de bûche – 26 pouces [66 cm]). (See fig. 11)
4. Assurez-vous que les mains sont loin des zones de danger du coin et d'écrasement.

AVERTISSEMENT

Le coin peut couper à travers la peau et briser des os. Gardez les deux mains loin du coin et de la glissière de la poutre. Des accidents graves peuvent se produire lorsque d'autres personnes sont autorisées à l'intérieur de la zone de travail. Tenez tout le monde en dehors de la zone de travail lorsque vous actionnez le levier de commande.

NE PORTEZ PAS de vêtements amples. Vous pourriez être emmêlé dans des parties mobiles de la fendeuse de bûches. Utilisez seulement la fendeuse de bûches à la lumière du jour afin que vous puissiez voir ce que vous faites.

5. En utilisant une main, poussez le levier de commande vers l'avant pour fendre la bûche.
6. En utilisant une main, tirez le levier de commande vers l'arrière pour ramener le coin à sa position initiale.

AVERTISSEMENT

Pour éviter des blessures aux mains ou aux doigts, toujours

garder les mains loin de la bûche et du coin lorsqu'il se rétracte. Toujours garder les doigts loin de toutes les fissures qui s'ouvrent dans la bûche lors du fendage. Elles peuvent se refermer rapidement et pincer ou amputer vos doigts.

Si une bûche est bloquée, empalée ou ne veut pas se fendre complètement, tirez le levier de commande vers l'arrière et laissez la fendeuse de bûches dépouiller la bûche du coin.

7. Toujours garder la zone de travail propre et exempte

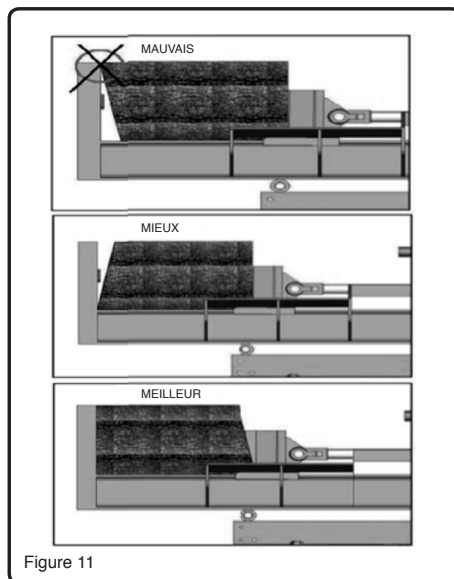


Figure 11

Illustrations d'utilisation

• Conservez ces instructions

POUR L'UTILISATION HORIZONTALE:

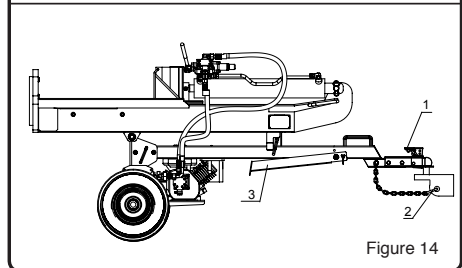
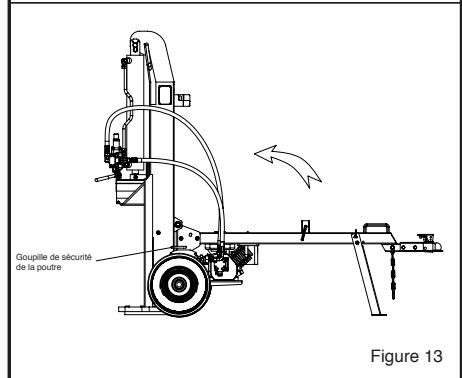
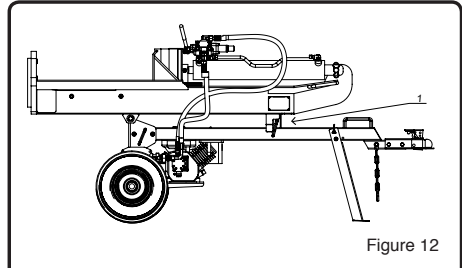
1. Assurez-vous que la tige avant est complètement engagée pour sécuriser le devant de la poutre de la fendeuse de bûches. (See fig. 12)

POUR L'UTILISATION VERTICALE:

1. Tirez sur la tige avant pour libérer la poutre.
2. Tournez la poutre en position verticale.
3. Tirez la goupille de verrouillage arrière de la poutre et tournez à la position de 9 h pour fixer la poutre. (See fig. 13)

POUR LE REMORQUAGE PAR UN VÉHICULE:

1. Appuyez sur la poignée vers le bas et verrouillez solidement.
2. Accrochez les chaînes de sécurité au véhicule tracteur.
3. Tournez la jambe avant vers le haut et faites glisser la goupille de verrouillage. (See fig. 14)



Entretien

• Conservez ces instructions

- Avant de procéder à l'entretien, la fendeuse de bûches doit être placée en mode d'entretien. Fermez le moteur et déplacez le levier de commande vers l'avant et vers l'arrière pour soulager la pression hydraulique.
- Après avoir exécuté n'importe quel entretien, assurez-vous que tous les gardes, protections et mesures de sécurité sont remis à leur place avant de faire fonctionner la fendeuse de bûches.
- Avant d'utiliser, assurez-vous que les pneus ont la pression de gonflage recommandée.
- Graissez l'essieu et le roulement de roue chaque année.
- Vérifiez périodiquement toutes les attaches et les tuyaux pour l'étanchéité et les fuites.
- Nettoyez et lubrifiez légèrement annuellement toutes les pièces mobiles ou en cas de besoin.
- Utilisez une peinture-émail à pulvériser brillante pour retoucher les surfaces métalliques peintes rayées ou usées.

<i>Quoi</i>	<i>Quand</i>	<i>Méthode</i>
Tuyaux	Chaque utilisation	Vérifiez les tuyaux flexibles pour des mailles exposées et ses fuites. Remplacez tous les tuyaux flexibles usés ou endommagés avant de démarrer le moteur.
Raccords hydrauliques	Chaque utilisation	Inspectez les raccords pour des fissures et des fuites. Remplacez tous les raccords endommagés avant de démarrer le moteur.
Écrous et boulons	Chaque utilisation	Vérifiez pour des boulons desserrés, serrez-les avant d'utiliser.
Poutre	Chaque utilisation	Apply grease to beam surface.
Pièces mobiles	Chaque utilisation	Enlever les débris de la fendeuse à bûches.

Reportez-vous au Manuel du propriétaire du moteur pour l'entretien du moteur.

AVIS

Si une pièce doit être remplacée, utilisez uniquement des pièces d'origine qui répondent aux spécifications du fabricant. Les pièces de rechange qui ne répondent pas aux spécifications peuvent entraîner un risque pour la sécurité ou de mauvais fonctionnements.

STOCKAGE

- Avant de stocker, assurez-vous que la fendeuse de bûches est propre et sèche.
- Stockez l'équipement dans un endroit propre et sec. Stockez la machine à l'abri des étincelles, des flammes ouvertes, des flammes de veilleuse, de la chaleur et d'autres sources d'allumages.
- Lubrifiez légèrement toutes les surfaces de la fendeuse de bûches et les pièces mobiles pour éviter la rouille. (Voir **Entretien**)
- Stockez à l'intérieur ou dans une zone protégée lors de météo inclemente et pendant les mois d'hiver.
- Reportez-vous au **manuel du propriétaire du moteur** pour les instructions correctes de stockage du moteur. Il est particulièrement important d'enlever le carburant du moteur lorsque l'unité doit être stockée pendant une période prolongée.

Dépannage

• Conservez ces instructions

Problème	CAUSE(S)	SOLUTION(S)
La tige du cylindre ne bouge pas	<ol style="list-style-type: none">1. Manque d'huile à la pompe2. Lignes hydrauliques bloquées3. Soupape de commande bloquée4. Soupape de commande endommagée5. Fuite interne du cylindre	<ol style="list-style-type: none">1. Vérifiez le niveau d'huile dans le réservoir2. Purgez et nettoyez le système hydraulique de la fendeuse à bûches3. Purgez et nettoyez le système hydraulique de la fendeuse à bûches4. Retournez la soupape de commande à un atelier de réparation agréé5. Retournez le cylindre à un atelier de réparation agréé
La vitesse de la tige de cylindre est lente lors de l'extension ou de la rétraction	<ol style="list-style-type: none">1. Manque d'huile à la pompe2. Air dans l'huile3. Vide excessif à l'entrée de la pompe4. Soupape de commande endommagée5. Fuite interne de la soupape de commande6. Cylindre endommagé à l'intérieur7. Contrôle du moteur dérégulé	<ol style="list-style-type: none">1. Vérifiez le niveau d'huile dans le réservoir2. Vérifiez le niveau d'huile dans le réservoir3. Vérifiez le tuyau flexible d'arrivée à la pompe pour une obstruction ou des plis4. Retournez la soupape de commande à un atelier de réparation agréé5. Retournez la soupape de commande à un atelier de réparation agréé6. Retournez la soupape de commande à un atelier de réparation agréé7. Réglez les écrous de la commande du ralenti
Le bois ne se fend pas ou se sépare très lentement	<ol style="list-style-type: none">1. Manque d'huile à la pompe2. Air dans l'huile3. Vide excessif à l'entrée de la pompe4. Faible réglage de la soupape de commande5. Fuite interne de la soupape de commande6. Cylindre endommagé à l'intérieur	<ol style="list-style-type: none">1. Vérifiez le niveau d'huile dans le réservoir2. Vérifiez le niveau d'huile dans le réservoir3. Vérifiez le tuyau flexible d'arrivée à la pompe pour une obstruction ou des plis4. Réglez la soupape de commande avec un manomètre5. Retournez la soupape de commande à un atelier de réparation agréé6. Retournez le cylindre à un atelier de réparation agréé
Le moteur s'étouffe pendant le fendage	<ol style="list-style-type: none">1. Haut réglage de la soupape de commande2. Contrôle du moteur dérégulé	<ol style="list-style-type: none">1. Réglez la soupape de commande avec un manomètre2. Réglez les écrous de la commande du ralenti
Le moteur cale sous condition de faible charge	<ol style="list-style-type: none">1. Lignes hydrauliques bloquées2. Soupape de commande bloquée3. Contrôle du moteur dérégulé4. Le moteur s'étouffe en mode de ralenti bas	<ol style="list-style-type: none">1. Purgez et nettoyez le système hydraulique de la fendeuse à bûches2. Purgez et nettoyez le système hydraulique de la fendeuse à bûches3. Adjust idle control nuts4. Use shorter log length (26" or less) to allow engine to speed up before contact.
Problème de démarrage du moteur	<ol style="list-style-type: none">1. Fonctionnement du moteur	<ol style="list-style-type: none">1. Reportez-vous au manuel du propriétaire

Service Technique

Vous pourriez avoir d'autres questions sur l'assemblage, l'exploitation ou l'entretien de cette fendeuse à bûches. Si oui, vous pouvez contacter notre Service technique au 1 800 737-2112 (anglais seulement). Vous pouvez aussi écrire à:

**SIÈGE SOCIAL DE METL – POUR CORRESPONDANCE
SEULEMENT
COMPÉTENCE DE :
SERVICE TECHNIQUE – METL
6700 WILDLIFE WAY
LONG GROVE, IL 60047**



Si vous avez besoin d'aide ou trouvez que des pièces sont manquantes, composez sans frais : 1 800 737-2112

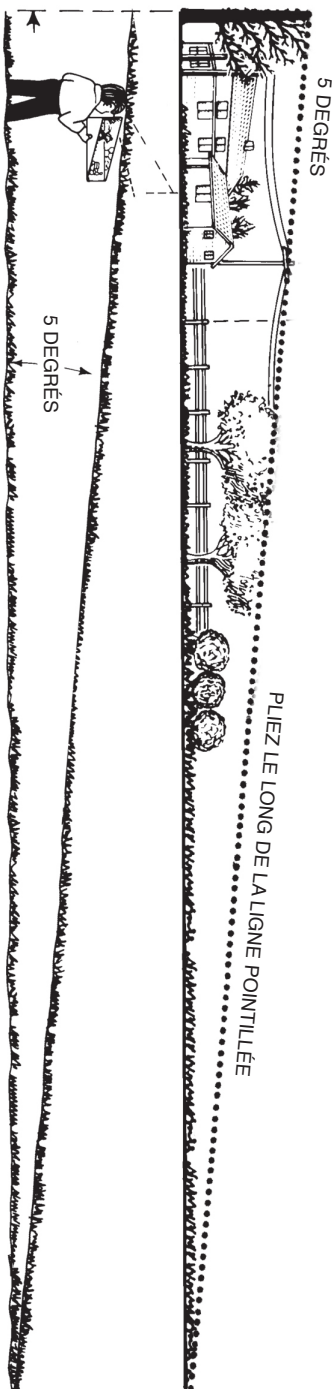
Lorsque vous communiquez avec le Service technique, ayez sous la main :

- Votre nom
- Votre adresse
- Votre numéro de téléphone
- Le numéro de modèle du produit
- La date d'achat
(inclure une copie du reçu pour les demandes)

Guide de pente

ALIGNÉZ ET MAINTENEZ CE GUIDE DE NIVEAU AVEC UN ARBRE VERTICAL, UN COIN DE BÂTIMENT, UN POTEAU DU SERVICE ÉLECTRIQUE OU UNE CLÔTURE.

Utilisez ce guide et ne fendez pas de bois sur une pente supérieure à 5 degrés. Une pente de 5 degrés est une colline qui augmente en hauteur à environ 0,5 m dans 3,0 m (1,7' pied dans 10 pieds).



AVERTISSEMENT

Prenez des soins extrêmes à tout moment et évitez les virages soudains ou les manœuvres brusques. Suivez les autres instructions de ce manuel pour la sécurité dans la fente du bois sur les pentes. Utilisez une fendeuse à bois en travers de la face des pentes, jamais vers le haut ou vers le bas des pentes. Radoublez de prudence lors de l'utilisation sur des pentes ou à proximité d'obstructions.

Garantie

• Conservez ces instructions

A Powermate® GARANTIE LIMITÉE DE LA FENDEUSE DE BÛCHES

Spécifiez toujours le numéro de modèle lorsque vous contactez l'usine.

GARANTIE LIMITÉE DE LA FENDEUSE DE BÛCHES

Nous nous réservons le droit de modifier ces spécifications à tout moment sans préavis. La Seule garantie applicable est notre garantie écrite standard. Nous ne faisons aucune autre garantie,expresse ou implicite.

Mat Engine Technologies, LLC garantit cette fendeuse de bûches pour 3 ans à partir de la date d'achat et remplacera ou réparera les défauts de matériau et de fabrication pour l'acheteur original de la fendeuse. Pour 2 ans à partir de la date d'achat, le moteur est couvert par la garantie du fabricant du moteur. Pour 1 an à partir de la date d'achat, MAT Engine Technologies, LLC réparera ou remplacera les composants du système hydraulique.

Pour les fendeuses de bûches commerciales ou remises à neuf, une garantie de 90 jours est en vigueur à partir de la première date d'achat chez un revendeur agréé, à condition que le produit ait été correctement entretenu et utilisé conformément aux instructions applicables. Cette garantie est offerte uniquement à l'acheteur original au détail. L'acte de vente ou une preuve d'achat doit être présenté au moment où une réclamation est faite en vertu de cette garantie. Cette garantie ne couvre pas l'utilisation de location, ne s'applique pas à des pièces qui ne sont pas en état d'origine en raison de l'usure normale, ou des pièces qui font défaut ou sont endommagées à la suite d'une mauvaise utilisation, d'un accident, d'un manque d'entretien, de la falsification ou d'une modification.

Les exceptions à la période de garantie standard seraient des éléments exposés à l'usure normale comme le coin de fendage, les pneus et les tubes pneumatiques, les filtres à air, les bougies d'allumage qui ne sont couverts que pendant 60 jours contre les défauts de matériaux ou de fabrication. Le voyage, la manutention, le transport et les frais accessoires liés à des réparations sous garantie ne sont pas remboursables en vertu de cette garantie et sont la responsabilité du propriétaire.

Dans toute la mesure permise par la loi de la juridiction qui régit la vente du produit, cette garantie exprime exclut toute autre garantie explicite et limite la durée de toutes les garanties implicites, y compris les garanties de qualité marchande et d'adéquation à un usage particulier à deux ans de la date du premier achat.

La responsabilité de mat engine technologies, llc est par la présente limitée au prix d'achat des produits et mat engine technologies, llc ne sera pas responsable de tout autre dommage que ce soit y compris les dommages indirects, accessoires ou consécutifs.

Certains états ne permettent pas la limitation de la durée d'une garantie implicite ou l'exclusion ou la limitation des dommages indirects ou consécutifs, de sorte que la limitation ci-dessus des dommages peut ne pas s'appliquer à vous. Cette garantie donne à l'acheteur original des droits spécifiques.

Pour plus d'informations au sujet de ces droits, veuillez consulter les lois étatiques applicables.

SIÈGE SOCIAL DE METL – POUR CORRESPONDANCE SEULEMENT

COMPÉTENCE DE :

SERVICE TECHNIQUE – METL

6700 WILDLIFE WAY

LONG GROVE, IL 60047



Manual del operador 25 Toneladas Cortadora de troncos 208 cc, 4 tiempos

Núm. de modelos. PLS20825

Busque en el interior:

	Page
Definiciones sobre la seguridad	42
Prácticas de manejo seguro	43
Instrucciones de seguridad importantes	44-45
Especificaciones	46
Etiquetas de seguridad	47
Ensamblaje	48-51
Manejo	52-54
Ilustraciones del manejo	55
Mantenimiento	56
Diagnóstico y resolución de problemas	57
Servicio técnico	58
Guía sobre pendientes	59
Garantía	60



IMPORTANTE:

Gracias por comprar la cortadora de troncos Powermate®.

Este manual contiene instrucciones completas para el manejo seguro y mantenimiento de la cortadora de troncos. Lea y guarde estas instrucciones. Consulte este manual antes de usar la cortadora de troncos.

Anote lo siguiente como referencia:

Código de fecha de fabricación: _____

Fecha de compra: adjunte una copia de su recibo de compra.

Número gratuito de asistencia al consumidor: 1-800-737-2112

Consultar el sitio web para obtener una copia electrónica del manual y la lista de repuestos con diagramas.
www.powermateoutdoor.com

▲ ADVERTENCIA DE LA PROPUESTA DE LEY 65 DE CALIFORNIA

Los gases de escape, algunos de sus elementos y ciertos componentes del producto contienen o emiten productos químicos que, según los conocimientos del Estado de California, producen cáncer y defectos congénitos u otros daños reproductivos.



Si tiene una duda o un problema...

LLAME SIN COSTO AL: 1-800-737-2112

CONSERVE ESTE MANUAL COMO REFERENCIA

Definiciones de seguridad

• Guardar estas instrucciones







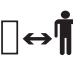



Símbolos de alerta de seguridad

Los símbolos a continuación identifican información importante de seguridad en este manual. Familiarícese con estos símbolos y las advertencias asociadas con los mismos.

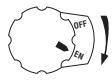


▲ PELIGRO	Indica una situación de peligro inminente que, si no se evita, causará la muerte o lesiones graves.
▲ ADVERTENCIA	Indica una situación de posible peligro que, si no se evita, podría causar la muerte o lesiones graves.
▲ PRECAUCIÓN	Indica una situación de posible peligro que, si no se evita, podría causar una lesión menor o moderada.
AVISO	Indica una práctica no relacionada con lesiones personales que, si no se evita, puede causar daños a la propiedad.

En la cortadora de troncos pueden encontrarse los siguientes símbolos. Lea atentamente y comprenda su significado.

Símbolos de advertencia de seguridad

	Busque este símbolo sobre las precauciones de seguridad importantes respecto a riesgos de lesiones personales. Significa: ¡Atención! ¡Esté alerta! Su seguridad está en juego.		Evite lesiones en las manos. Mantenga las manos alejadas de la plataforma de la cuña y otras piezas móviles.
	Lea, comprenda y siga las instrucciones del manual del operador antes de manejar esta máquina. Si no sigue las instrucciones, podrían producirse lesiones de gravedad.		Revise si hay fugas de líquido hidráulico pasando una hoja de papel o cartón por debajo o encima del área de la fuga. No compruebe la existencia de fugas con la mano. El líquido que sale del orificio más pequeño, bajo presión, puede tener la fuerza suficiente para penetrar en la piel causando daños a los tejidos y lesiones graves o la muerte.
	Use protección para los ojos y oídos de conformidad con la norma ANSI Z87.1, así como protección para calzado.		El motor produce monóxido de carbono, un gas tóxico, inodoro y mortal. Nunca haga funcionar el motor bajo techo o en una zona mal ventilada.
	Mantenga a los transeúntes, las mascotas y los niños a por lo menos 10 pies de distancia de la máquina mientras está en funcionamiento. Detenga la máquina si alguien entra en la zona.		No maneje o transporte la cortadora de troncos en pendientes superiores a 5 grados. Bloquee las ruedas para evitar el movimiento y cierre el balancín en posición horizontal o vertical.
	La gasolina es inflamable. Deje enfriar el motor al menos dos minutos antes de poner combustible.		El cilindro hidráulico y otros componentes pueden calentarse mucho. Evite el contacto con ellos. Use guantes al manejar la cortadora de troncos.

Símbolos de control y de manejo:


	Mueva el interruptor del motor a la posición ON (encendido) para arrancar el motor. Mueva el interruptor del motor a la posición OFF (apagado) para apagar el motor.
	Para arrancar el motor en frío, mueva el obturador a la posición de dosificación de aire completa.
	Mueva el control del obturador a la posición de marcha cuando se caliente el motor y al arrancar el motor en caliente.

Prácticas importantes de manejo seguro

• Conserve todas las instrucciones

Responsabilidad del operador

1. Lea atentamente y siga estas siguientes instrucciones de seguridad. De lo contrario, pueden producirse lesiones graves o la muerte.
2. Conozca su producto. Lea y comprenda este manual antes de usar. Compare las ilustraciones con la máquina. Aprenda la ubicación y función de todos los controles. Si entiende bien la máquina antes de usarla, esto se traducirá en un mejor rendimiento y seguridad.
3. Siga todas las instrucciones al ensamblar la máquina. Si la máquina fue adquirida en ensamblados, el operador debe revisarla con cuidado para cerciorarse de que se ensambló de acuerdo con las instrucciones del manual antes de usarla.
4. Inspeccione de forma habitual la cortadora de troncos. Cerciórese de que las piezas no estén dobladas, dañadas o sueltas.
5. Utilice este equipo solo para su fin previsto. Su finalidad es cortar madera para usarse en chimeneas.
6. Maneje la máquina solo con los resguardos, protecciones y otros elementos de seguridad en su lugar y que funcionen correctamente.
7. Realice el mantenimiento de la máquina solo con repuestos autorizados o aprobados.
8. Lleve a cabo todas las tareas de mantenimiento y ajustes de la máquina de acuerdo con las instrucciones de este manual.

 -Busque este símbolo sobre las precauciones de seguridad importantes. Significa: “¡Atención! ¡Esté alerta! Su seguridad está en juego”.

PELIGRO

El monóxido de carbono es un gas tóxico. Si utiliza un motor bajo techo, usted puede morir en cuestión de minutos. El escape del motor contiene altos niveles de monóxido de carbono (CO), un gas tóxico invisible e inodoro. Es posible que usted respire CO incluso si no huele el escape del motor.

ADVERTENCIA

La cortadora de troncos implica un riesgo de amputación o aplastamiento de las manos y los dedos. Lea y siga todas las advertencias e instrucciones de seguridad indicadas en la cortadora de troncos y en este manual. De lo contrario, pueden producirse lesiones graves o la muerte en usted o los transeúntes.

ADVERTENCIA

Con el fin de evitar un arranque accidental durante la instalación, transporte, ajuste o reparaciones, siempre desconecte el cable de la bujía y colóquelo donde no entre en contacto con esta.

PRECAUCIÓN

El silenciador y otros componentes del motor y del sistema hidráulico se calientan mucho durante el manejo y permanecen calientes después de apagar el motor. Para evitar quemaduras graves por contacto, aléjese de estas zonas.

CAPACITACIÓN

1. Lea, comprenda y siga atentamente las instrucciones de manejo y mantenimiento. Conozca muy bien los controles y el uso adecuado del equipo. Sepa cómo detener la máquina y desconectar los controles rápidamente.
2. Nunca permita que niños manejen el equipo. Nunca permita que otros adultos manejen el equipo sin la instrucción correspondiente.
3. Mantenga a los transeúntes, las mascotas y los niños a por lo menos 10 pies (3 m) de distancia de la máquina mientras está en funcionamiento. Detenga la máquina si alguien entra en la zona.
4. Tenga en cuenta que el operador o el usuario es el responsable de los accidentes o riesgos que ocurren a otras personas, así como daños materiales y a ellas mismas.

PREPARACIÓN

1. Inspeccione detenidamente el área donde va a utilizarse el equipo y retire todos los objetos extraños.
2. Solo maneje a nivel del suelo para garantizar la estabilidad de la máquina.
3. Utilice siempre lentes de seguridad durante el manejo y mientras realiza un ajuste o reparación para proteger los ojos.
4. No maneje el equipo sin usar la indumentaria adecuada y lentes de seguridad. Evite la ropa suelta y use calzado protector, lo cual mejorará el asidero sobre superficies resbaladizas. Use guantes de trabajo de cuero.

Instrucciones de seguridad importantes (la siguiente)

• Conserve todas las instrucciones

5. El combustible es muy inflamable. Tome las siguientes precauciones:
 - a. Almacene el combustible en contenedores especialmente diseñados para este fin.
 - b. Llene el tanque de combustible al aire libre con mucho cuidado. Nunca llene el tanque de combustible en recintos cerrados. No fume mientras se llena el tanque de combustible.
 - c. Agregue combustible antes de arrancar el motor. Nunca quite la tapa del tanque de combustible o agregue combustible mientras el motor esté en marcha o cuando el motor esté caliente. Deje enfriar el motor por lo menos dos minutos antes de llenar el tanque de combustible.
 - d. Si se derrama combustible, no intente arrancar el motor y aleje la máquina de la zona de vertido y evite crear cualquier fuente de ignición hasta que los vapores del combustible hayan desaparecido.
 - e. Cambie todas las tapas del tanque de combustible y contenedor de forma segura.
 - f. Después de reabastecer el combustible, cambie la tapa del tanque de combustible de forma segura y limpie el combustible derramado.
 - g. Nunca almacene el combustible o la cortadora de troncos con el combustible en el tanque dentro de un lugar donde los gases puedan entrar en contacto con una llama abierta.
 - h. Nunca llene contenedores de gasolina o el tanque de la cortadora de troncos dentro de un vehículo o en la caja de una camioneta. La descarga estática accidental de iones puede encender los vapores de combustible, lo cual podría causar lesiones graves o la muerte.
6. Nunca intente realizar ajustes mientras el motor esté en marcha (salvo en los casos específicamente recomendados por el fabricante).

SEGURIDAD DEL SISTEMA HIDRÁULICO

1. El sistema hidráulico de la cortadora de troncos exige una cuidadosa inspección, así como usar protección ocular y guantes antes de la misma. Cerciórese de cambiar las mangueras o componentes hidráulicos desgastados, doblados, agrietados o dañados.

ADVERTENCIA

El líquido hidráulico puede estar a alta presión o caliente y causar lesiones personales. El escape de líquido hidráulico puede generar un riesgo de incendio y hacer que se encienda si se expone a una fuente de ignición. Lea, comprenda y siga las precauciones de seguridad a continuación.

2. El líquido hidráulico puede estar a alta presión o caliente y causar lesiones personales.
3. El escape de líquido hidráulico puede generar un riesgo de incendio y hacer que se encienda si se expone a una fuente de ignición.
4. Lea, comprenda y siga las precauciones de seguridad a continuación.
5. Revise si hay fugas de líquido hidráulico pasando una hoja de papel o cartón por debajo o encima del área de la fuga.
6. No compruebe la existencia de fugas con la mano.
7. El líquido que sale del orificio más pequeño, bajo presión, puede tener la fuerza suficiente para penetrar en la piel causando daños a los tejidos y lesiones graves o la muerte. El manejo de la máquina debe detenerse hasta reparar todas las fugas detectadas.
8. Busque atención médica profesional **inmediatamente** (consulte la página 11) si sufre alguna lesión por el escape de líquido hidráulico. Puede producirse una infección o reacción grave si no se administra tratamiento médico inmediatamente.
9. Libere toda la presión apagando el motor y moviendo la palanca de control de la válvula hacia atrás y hacia delante en caso de que sea necesario para soltar o quitar una conexión hidráulica.
10. No quite la tapa del tanque o depósito hidráulico mientras la cortadora de troncos está funcionando. El tanque puede contener aceite caliente bajo presión, lo que podría causar lesiones graves.
11. No ajuste la válvula hidráulica. La válvula de descarga de presión de la cortadora de troncos se ajusta en la fábrica. Solo un técnico de mantenimiento calificado debe realizar este ajuste.

MANEJO

1. No ponga las manos cerca de piezas móviles. El contacto con la cuña de corte puede provocar la amputación de los dedos y las manos.
2. Nunca permita que haya personas a 10 pies de la máquina mientras está funcionando. Mantenga alejados a los niños y las mascotas.
3. Nunca maneje la máquina sin los resguardos adecuados, placas u otros dispositivos de seguridad en su lugar.
4. The engine and its exhaust system and the hydraulic system can become hot and can cause a burn. Do not touch.

Instrucciones de seguridad importantes (la siguiente)

• Conserve todas las instrucciones

5. Precauciones durante el remolque:
 - a. Nunca remolque la máquina a velocidades superiores a 45 millas (72 km) por hora.
 - b. Consulte siempre en el manual del propietario del vehículo el remolque adecuado.
 - c. Asegure y bloquee la cortadora de troncos en el enganche del vehículo antes de remolcar.
 - d. Verifique que la bola de 2 pulgadas del tamaño correcto esté en el vehículo de remolque.
 - e. Compruebe que las cadenas de seguridad estén correctamente conectadas antes de efectuar el remolque.
 - f. Consulte y cumpla las regulaciones estatales o locales sobre el uso en carretera.
 - g. No lleve pasajeros o permita que se sienten o paren en la cortadora de troncos.
 - h. Evite grandes baches o zanjas cuando remolque el equipo.
6. Tenga cuidado para evitar caídas o resbalones. Mantenga un espacio de trabajo limpio sin madera ni residuos.
7. No haga funcionar el motor en un espacio reducido donde puedan acumularse gases de monóxido de carbono peligrosos.
8. Si la máquina comienza a vibrar de forma anormal, detenga el motor y compruebe inmediatamente la causa. En general, la vibración es un signo de advertencia de problemas.
9. Detenga el motor al abandonar la posición de manejo y al hacer las reparaciones, ajustes e inspecciones.
10. Tome todas las precauciones posibles según lo recomendado por el fabricante cuando abandone la máquina. Detenga el motor; no abandone la unidad hasta que todas las piezas en movimiento se hayan detenido por completo.
11. Antes de proceder a la limpieza, reparación o inspección, apague el motor y cerciórese de que todas las piezas en movimiento se hayan detenido por completo. Desconecte el cable de la bujía y manténgalo lejos de esta para evitar un arranque accidental.
12. No sobrecargue la máquina al intentar cortar el material antihormigas a menos que sea una recomendación del fabricante.
13. Utilice únicamente los dispositivos y accesorios aprobados por el fabricante de la máquina.
14. Nunca maneje la máquina sin buena visibilidad o luz. No la maneje durante la noche.
15. No cambie el ajuste del regulador del motor o acelere el motor de forma excesiva. Esto puede provocar que el motor funcione a una velocidad insegura.
16. Arranque el motor con cuidado según las instrucciones del fabricante.
17. Nunca mueva la máquina mientras el motor está en marcha.
18. No maneje la máquina bajo la influencia del alcohol o drogas.

PRECAUCIONES DURANTE EL ENSAMBLAJE:

Este producto debe ensamblarse antes de usar. Consulte las instrucciones en la sección "Ensamblaje".

▲ PRECAUCIÓN

Debido al peso o tamaño de los componentes de la cortadora de troncos, es necesario que dos personas adultas ayuden con el ensamblaje. De lo contrario, no ensamble la unidad.

Especificaciones

• Conserve todas las instrucciones

Peso (unidad)	439 libras (199 kg)	Dimensiones del cilindro hidráulico	DI 4.13 pulgadas X carrera de 24.5 pulgadas
Fuerza de empuje	25 toneladas	Presión hidráulica máxima	3625 PSI
Tiempo de ciclo	16 segundos	Líquido hidráulico máximo	11 galones por minuto (GPM)
Tamaño de la cuña	Acero endurecido de 8 pulgadas	Tipo de enganche	Conector de bola de 2 pulgadas
Bomba de engranajes	2 etapas	Velocidad máxima de remolque	45 millas por hora (mph)
Longitud máxima de los troncos	26 pulgadas	Tamaño de los neumáticos	4.80 x 8 - 16 inch
Diámetro máximo de los troncos	30 pulgadas	Presión máxima de inflado de los neumáticos	30 PSI
Tamaño del motor	208cc	Pares de torsión de pernos:	
Capacidad de aceite del motor	16oz. (470ml)	- Placa de M6 X 20, filtro y aspiración fija	4-7 pies libras (8-10 Nm)
Tipo de aceite del motor	API SG-SL 10W-30	- Bomba de la caja del acoplador	11-18 pies libras (15-25 Nm)
Alta velocidad del motor	3750 RPM (sin carga)	- Motor y placa de soporte	11-18 pies libras (15-25 Nm)
Tipo de gasolina	Sin plomo regular/87 octanos (mínimo) (etanol al 10% máximo)	- Filtro de aceite hidráulico externo	26-33 pies libras (35-45 Nm)
Capacidad de la gasolina	0.7 galones (2.6L)	- Acoplador de enganche de 2" y barra de remolque	37 – 59 pies libras (50-80 Nm)
Bomba de engranajes	2 etapas		
Tipo de aceite hidráulico	10W AW32 o ISO 32		
Capacidad del líquido hidráulico	6.5 galones en total (el usuario debe insertar aproximadamente 3.2 galones en la configuración inicial)		

AVISO

Consulte las especificaciones del motor en el **manual del propietario del motor**.

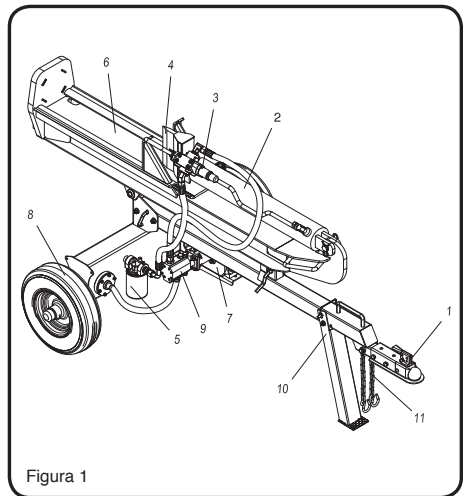
NOTA: Este sistema de encendido por chispa cumple con la norma canadiense ICES-002.

Controles y funciones

Lea, comprenda y siga las instrucciones del manual del propietario antes de manejar el equipo.

Familiarícese con la ubicación y función de los controles y características. Conserve este manual para referencia futura. (Véase la fig. 1)

1. **Acoplador** - Fija la cortadora de troncos a la bola de 2" del vehículo de remolque.
2. **Cilindro hidráulico** - Cilindro de 4.13"x 24.5".
3. **Palanca de la válvula de control** - Controla el movimiento hacia adelante y hacia atrás de la cuña de corte.
4. **Cuña de 8"** - Cuña con alas y extremos ahuecados que facilitan el corte.
5. **Filtro externo** - Filtra el aceite hidráulico.
6. **Balancín** - 9.7 pulgadas de ancho
7. **Motor** - El motor refrigerado con aire acciona la bomba hidráulica.
8. **Neumáticos** - Neumáticos: La velocidad nominal máxima del remolque es de 45 mph.
9. **Bomba de engranajes** - Bombea el aceite hidráulico a través del sistema.
10. **Puntal de soporte** - Soporta la cortadora de troncos durante el manejo.
11. **Cadenas de seguridad** - Función de seguridad que evita pérdidas de la cortadora de troncos durante el remolque.



Etiquetas de seguridad

• Conserve todas las instrucciones



Si necesita ayuda o encontrar las piezas faltantes,
LLAME AL NÚMERO GRATUITO 1-800-737-2112.

Esta cortadora de troncos ha sido diseñada y fabricada para brindarle la seguridad y fiabilidad que se esperaría de un líder en la industria de fabricación de equipos motorizados de exterior.

Aunque leer este manual y las instrucciones de seguridad que contiene le proporcionará los conocimientos básicos necesarios para manejar este equipo de forma segura y eficaz, hemos colocado varias etiquetas de seguridad en la cortadora de troncos para recordarle esta importante información y advertirle los riesgos específicos durante el manejo de la máquina.

Estas importantes etiquetas de seguridad ilustradas a continuación se muestran aquí para ayudarlo a que se familiarice con la ubicación y el contenido de los mensajes de seguridad que verá conforme realice las funciones normales de corte y triturado.

Por favor, revise estas etiquetas ahora. Si tiene dudas acerca de su significado o de cómo cumplir con estas instrucciones, vuelva a leer toda la sección Prácticas importantes de manejo seguro o póngase en contacto con su distribuidor local.

En caso de que alguna de las etiquetas de seguridad se vuelva ilegible debido al desgaste, se destiña o sufra otro tipo de daño durante el uso de la cortadora de troncos, póngase en contacto con su distribuidor local autorizado para solicitar otra etiqueta.

Las etiquetas de seguridad son de fácil aplicación y actuarán como un constante recordatorio visual para usted y otras personas que puedan utilizar el equipo. Es necesario seguir las instrucciones de seguridad para garantizar el manejo seguro y eficaz de la cortadora de troncos.

AVISO
Mantenga el balancín limpio y sin residuos para evitar dañar la cortadora de troncos.

⚠ ADVERTENCIA

Peligro de atrapamiento
Evite lesiones en las manos.
Bloquee el puntal de soporte en la posición hacia abajo insertando el pasador antes de cortar.

⚠ ADVERTENCIA

Riesgo de aplastamiento
Evite lesiones en las manos.
• Cuando trabaje con el balancín a la posición horizontal, mantenga las manos alejadas del área del balancín.
• Compruebe que el pasador se cierre completamente antes del corte y triturado.

⚠ ADVERTENCIA

Evite lesiones graves o la muerte durante el remolque

- Lea y siga las instrucciones del manual del operador para la correcta unión y remolque.
- Verifique que la bola de 2 pulgadas del tamaño correcto está en el vehículo de remolque.
- Compruebe que las cadenas de seguridad estén correctas, bien conectadas antes de efectuar el remolque.
- Nunca exceda la velocidad máxima de remolque de 45 mph.

⚠ ADVERTENCIA

Riesgo de aplastamiento
Evite lesiones en las manos y brazos.
Mantenga los brazos y manos alejados de las piezas móviles.

⚠ ADVERTENCIA

Lea y siga las instrucciones de manejo antes de manejar la cortadora de troncos.

Impacto o peligro de atrapamiento

- Mantenga a las personas por lo menos a 10 pies de distancia.
- Solo una persona debe manejar y cargar la cortadora de troncos, así como permanecer dentro de la zona designada para operaciones.

⚠ ADVERTENCIA

Peligro de inyección de líquido hidráulico

- El líquido a alta presión que se filtra por un agujero pequeño puede penetrar la piel y causar lesiones graves.
- Evite el contacto con las fugas de líquido.
- Compruebe que no haya fugas utilizando un paño, nunca las manos.

Riesgo de volcadura y pendiente
Evite lesiones corporales

- No maneje o transporte la cortadora de troncos en pendientes superiores a 5 grados.
- Bloquee las ruedas para evitar su movimiento y cierre el balancín en posición horizontal o vertical.

Riesgo de quemaduras
Evite quemaduras en la piel

- El cilindro hidráulico y otros componentes pueden sobrecalentarse.
- Evite el contacto con ellos.
- Use guantes durante el manejo.

Instrucciones de manejo

- Use guantes de seguridad, calzas y calzado adecuado por el ABE.
- Coloque el balancín en una superficie plana con las cadenas bloqueadas.
- Encienda los sistemas que los riesgos de fluido sean adecuados, asegúrese de tener el motor y arranque en funcionamiento.
- Coloque el tronco en el balancín y púscalo al punto de rotación. Antes de bajar la cabeza o la posición de la cabeza y el tronco, asegure los sistemas de seguridad.
- Para la manipulación de la cabeza de la cabeza, asegure el tronco para evitar el daño.
- Para la manipulación de la cabeza de la cabeza, asegure el tronco para evitar el daño.

Ensamblaje

• Conserve todas las instrucciones

⚠ PRECAUCIÓN

Lea, comprenda y siga todas las instrucciones del ensamblaje y manejo. El ensamblaje inadecuado de este equipo podría provocar lesiones graves al usuario o transeúnte o causar daños en el equipo.

INSTRUCCIONES DE DESEMBALAJE

Deje la caja de embalaje en una superficie sólida y plana y quite la tapa con cuidado. Pida ayuda a dos adultos y saque todas las piezas de la caja de embalaje e inspeccione los componentes para comprobar que no falten piezas antes de empezar a ensamblar la cortadora de troncos; siga los pasos 1-9.

	CONTENIDO DE LA CAJA	QTY
1	Ensamblaje del motor y bomba	1
2	Ensamblaje del tanque de aceite hidráulico	1
3	Ensamblaje de la barra de remolque	1
4	Puntal de soporte	1
5	Ensamblaje del balancín	1
6	Ensamblajes de las ruedas	2
7	Paquete de herramientas	1
8	Manual del propietario y del motor	1
9	Tapacubos y tubo de ensamblaje	2

HERRAMIENTAS NECESARIAS:

- Martillo de goma o de madera
- Llaves inglesa o de dado de 13, 16, 17 y 19 mm
- Llave inglesa ajustable de 8 y 10 pulgadas
- Desarmador cruciforme
- Llave de torsión (lb-ft)
- Pinzas

Paso 1: Ensamblaje de las ruedas

1. Fije las ruedas (#2) al eje del tanque de aceite (#1) con una rondana plana Ø20 (#6) y tuerca hexagonal ranurada M20 (#3). La tuerca ranurada debe apretarse con la mano y, a continuación, apretarse lentamente con una llave inglesa hasta quitar el lado libre del ensamblaje del rodamiento. Gire las ruedas al apretar la tuerca. Las ruedas deben girar libremente. Instale el pasador de chaveta Ø4x36 (#4) a través de una ranura de la tuerca M20 (#3) y el orificio del eje. En caso necesario, la tuerca ranurada puede aflojarse levemente hasta que una ranura de la tuerca se alinee con el orificio del eje.
2. Una vez instalado, doble ambos extremos del pasador de chaveta para evitar su pérdida. Gire las ruedas y compruebe que el movimiento sea suave y libre. (Véase la fig. 2)

⚠ ADVERTENCIA

La instalación del pasador de chaveta es importante y necesaria. Si hay un error al instalarlo, puede causar la pérdida de retención de las ruedas. Ensamble siempre con una chaveta nueva; no vuelva a utilizar.

3. Instale la tapa del eje (#5) en el extremo con un martillo de goma.

AVISO

En el equipo de herramientas no se incluyen la rondana plana Ø20 (#6), tuerca hexagonal ranurada M20 (#3) y pasador de chaveta Ø4x36 (#4), pero ya están ensamblados ligeramente en los ejes de la cortadora de troncos.

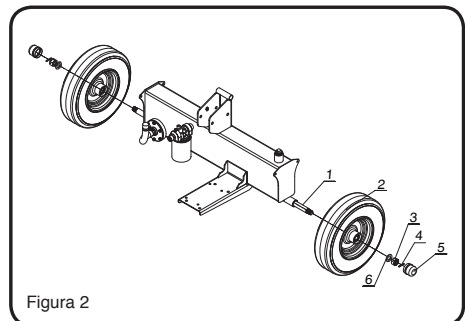


Figura 2

Ensamblaje *(la siguiente)*

• **Conserve todas las instrucciones**

Paso 2: Conecte el puntal de soporte a la barra de remolque

1. Conecte el puntal de soporte (#6) a la barra de remolque (#1) y fije con un perno hexagonal M10c95 (#5), rondana plana Ø10 (#3), contratuerca de nylon M10 (#2) y pasador de bloqueo A (#4). (Véase la fig. 3)

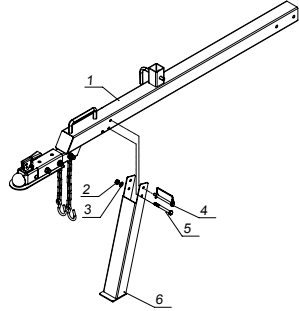


Figura 3

Paso 3: Conecte la barra de remolque al tanque hidráulico

1. Conecte la barra de remolque (#1) al tanque hidráulico y fije con tornillos hexagonales M12x100 (#4), una rondana plana Ø12 (#3) y una contratuerca de nylon M12 (#2). (Véase la fig. 4)

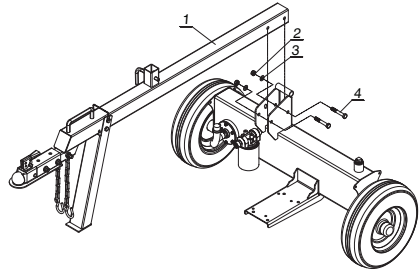


Figura 4

Paso 4: Conecte el ensamble del balancín

1. Conecte el ensamble del balancín (#1) al tanque hidráulico y fije con el pasador de bisagra (#2) y pasador tipo "R" Ø3 (#3). (Véase la fig. 5)
2. Gire viga a la posición horizontal y asegure con pasador de cierre frontal.

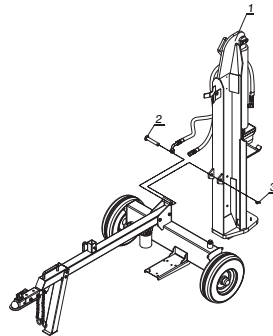


Figura 5

Ensamblaje *(la siguiente)*

• *Conserve todas las instrucciones*

Paso 5: Conecte el motor a la placa de soporte

1. Coloque el motor (#4) y fíjelo a la placa de soporte; ponga el tornillo hexagonal M8x40 (#5) en la parte inferior de la placa (el perno debe atravesar los bloques, la rondana plana y la base del motor). Coloque una rondana plana Ø8 (#2) y apriete la contratuerca de nylon M8 (#1) con un torque de 15 pies-libras.
2. Conecte la tubería de aceite transparente (#7) a la parte inferior de la bomba de engranajes y asegúrela con una abrazadera (#6). (Véase la fig. 6)

Paso 6A: Fije las mangueras hidráulicas

AVISO

Todas las bocas hidráulicas contienen tapones de plástico para evitar la pérdida de aceite durante el transporte. Estos tapones deben ser retirados antes del ensamblaje. Debido a que la unidad ha sido probada en la fábrica, hay un poco de aceite hidráulico en las líneas. Se recomienda un recipiente pequeño para contener el aceite que fluya desde las líneas destapadas durante el ensamblaje.

1. Ponga la junta tórica Ø11 (#3) en el conector de salida de la bomba trasera (#4) y fije la manguera hidráulica (#2) a dicho conector (#4).
2. Ponga la junta tórica Ø17 (#6) en el conector del filtro externo (#5).
3. Fije la manguera hidráulica de retorno (#1) al conector (#5). (Véase la fig. 7A)

Paso 6B: Adjuntar la válvula de control

1. Quite la clavija hendida con resorte (#1) y el pasador de sujeción (#2), de la biela de la válvula de control (#3). (Vea fig. 7B)
2. Gire la palanca de control (#4) hasta que su propio orificio se alinee con el de la válvula de control (#3).
3. Introduzca el pasador de sujeción (#2), a través de la válvula de control (#3) y de la palanca de control (#4) y después, fíjelo en su lugar utilizando la clavija hendida con resorte (#1).

Paso 7: Añada el aceite del motor

1. Compruebe que la cortadora de troncos esté en una superficie nivelada.
2. Quite el tapón de llenado y la varilla de aceite para revisar el nivel de aceite. Tenga en cuenta que si la unidad fue ensamblada en la fábrica, ya pudo haberse añadido el aceite.
3. Consulte en el manual independiente del motor del propietario la cantidad necesaria de aceite de motor SAE 10W-30; añada aceite hasta el nivel adecuado y cambie el tapón de llenado y la varilla de aceite.
4. Revise el nivel de aceite del motor todos los días y agregue según sea necesario.

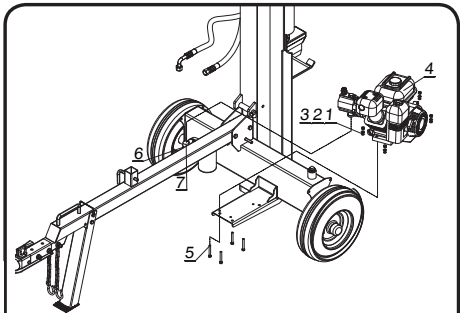


Figura 6

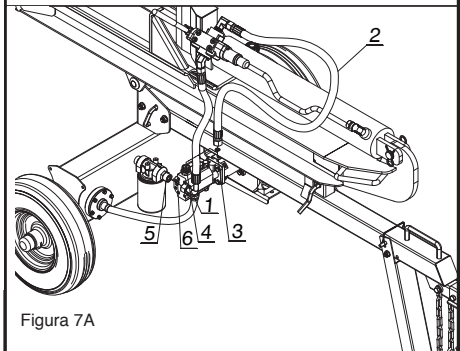


Figura 7A

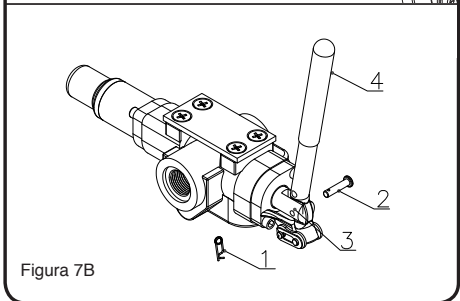


Figura 7B

AVISO

Durante el periodo de rodaje revise el nivel de aceite del motor con frecuencia.

NO intente arrancar el motor antes de que se haya llenado correctamente con el tipo y la cantidad de aceite recomendados. Si se producen daños en la cortadora de troncos como consecuencia del incumplimiento de estas instrucciones, se Sanulará la garantía.

Ensamblaje (la siguiente)

• *Conserve todas las instrucciones*

Paso 8: Añada gasolina al motor

1. Utilice solo gasolina, limpia, nueva y regular sin plomo de 87 octanos como mínimo.
2. NO mezcle el aceite con el combustible.
3. Quite la tapa del combustible y agregue lentamente el combustible en el tanque. NO sobrecargue y deje aproximadamente 1/3 pulgada de espacio para la expansión del combustible.
4. Cierre la tapa del combustible y limpie el combustible derramado.

⚠ PELIGRO

- El escape del motor de la cortadora de troncos contiene monóxido de carbono, un gas incoloro, inodoro y tóxico.
- Respirar monóxido de carbono puede causar náuseas, mareos, desmayos o la muerte. Si empiezas a sentirte mareado o débil, respire aire puro inmediatamente.
- Maneje la cortadora de troncos al aire libre solo en una zona bien ventilada.
- NO maneje la cortadora de troncos dentro de un edificio, recinto o compartimento.
- NO permita que los gases de escape ingresen a un espacio reducido a través de ventanas, puertas, respiraderos u otras aberturas.

⚠ ADVERTENCIA

- El combustible y sus vapores son muy inflamables y explosivos. Un incendio o explosión puede provocar graves quemaduras o la muerte.
- Un arranque accidental puede causar entrelazamiento, amputación traumática o heridas.
- Utilice solo gasolina regular sin plomo de al menos 87 octanos. NO mezcle el aceite y la gasolina.
- Llène el tanque a aproximadamente ¼" por debajo de la parte superior del mismo para permitir la expansión del combustible. NO llene el tanque de combustible bajo techo o cuando el motor esté en marcha o caliente.
- NO prenda cigarrillos ni fume al llenar el tanque de combustible.

Paso 9: Añada el aceite hidráulico

1. La cortadora de troncos debe estar en una superficie plana y nivelada antes de agregar el aceite hidráulico.
2. Saque el tapón del tanque de aceite hidráulico. Revise el nivel de aceite hidráulico. Si la unidad fue ensamblada en la fábrica, ya pudo haberse añadido el aceite hidráulico.
3. Si es necesario, añada hasta 3.2 galones de aceite hidráulico. 10W AW32 e ISO 32 son tipos aceptables de líquido.
4. Revise el nivel de aceite hidráulico.
5. Arranque el motor y use la palanca de control para

extender y retraer la cuña varias veces y eliminar el aire de las líneas.

6. Con la cuña retraída, revise el nivel de aceite hidráulico otra vez y rellene si es necesario.

⚠ ADVERTENCIA

El líquido hidráulico puede estar a alta presión o caliente y causar lesiones personales.

- No retire el tapón de llenado de aceite hidráulico cuando el motor esté en marcha o caliente. El aceite caliente puede escaparse y causar graves quemaduras. Siempre deje enfriar completamente la cortadora de troncos antes de quitar la tapa del aceite hidráulico.
- En las cortadoras de troncos hidráulicas se crean un líquido de alta presión, así como elevadas temperaturas. El líquido hidráulico puede escaparse por un orificio diminuto y perforar la piel, así como causar toxemia. Inspeccione el sistema hidráulico con frecuencia para detectar posibles fugas.
- Nunca verifique la existencia de fugas con la mano mientras el sistema está bajo presión. Revise si hay fugas de líquido hidráulico pasando una hoja de papel o cartón por debajo o encima del área de la fuga. Busque atención médica inmediatamente si sufre alguna lesión por el escape de líquido.
- Compruebe que todos los accesorios son herméticos y seguros antes de aplicar presión.
- Libere la presión del sistema antes de realizar el mantenimiento.
- Cerciórese de que las mangueras hidráulicas no entren en contacto con las superficies calientes o zonas de corte.
- Las mangueras deben colocarse lejos del motor y la cuña de corte. Para evitar lesiones graves, siempre revise las mangueras antes de manejar la cortadora de troncos.

Manejo

• *Conserve todas las instrucciones*

A Antes de manejar

Antes de manejar o utilizar la cortadora de troncos, revise las instrucciones y toda la información relacionada con la seguridad. El no seguir estas instrucciones puede causar daños a la propiedad o lesiones en el operador o los transeúntes.

▲ ADVERTENCIA

- Utilice la cortadora de troncos solo para su fin previsto de cortar madera.
- Al cambiar la cortadora de una operación vertical a horizontal, no deje que el balancín caiga bruscamente. Mantenga las manos y los dedos alejados de puntos de pinzamiento o de interferencia en todo momento.
- Al manejar en posición vertical, cerciórese de que el pasador de bloqueo del balancín se enganche a este último para evitar un movimiento accidental.
- Utilice la cortadora de troncos para cortar troncos de madera a lo largo con la veta.
- Nunca modifique, altere o cambie la cortadora de troncos de ninguna forma.
- Nunca conecte una cuerda, cable u otro dispositivo a la palanca de control de la cortadora de troncos.
- Maneje la cortadora de troncos solo durante el día y con buena luz y visibilidad.
- No descuide la cortadora de troncos mientras el motor está en marcha.
- No cambie la posición de corte con el motor en marcha. El contacto con el silenciador puede causar quemaduras graves.
- Nunca maneje, ni permita que otra persona lo haga, la cortadora de troncos bajo la influencia del alcohol, drogas o medicamentos.

B Lista de comprobación previa al arranque

1. Cerciórese de que todas las protecciones de seguridad estén en su lugar y que todos los tornillos y tuercas estén seguros.
2. Siempre use equipo de seguridad, protección ocular, guantes y botas de trabajo mientras maneje la cortadora de troncos.
3. Cerciórese de que la máquina esté en una superficie plana y seca. Bloquee las ruedas para evitar su movimiento. No maneje en una pendiente superior a 5 grados. (Véase la Guía sobre pendientes)
4. Bloquee el balancín en posición horizontal o vertical.
5. Revise el nivel de aceite en el cárter del motor y el tanque hidráulico. Consulte en el manual del propietario del motor el.
6. Inspeccione visualmente todas las mangueras y accesorios o fugas y la seguridad.
7. Inspeccione la limpieza del filtro de aire. Consulte en el manual del propietario del motor el procedimiento.
8. Revise el suministro de combustible y llene el tanque de combustible a no más de ½" (12.7 mm) de la parte superior del mismo con el fin de dejar espacio para la expansión. Consulte en el manual del propietario del motor las.
9. Compruebe que el cable de la bujía esté conectado y que la bujía esté bien asegurada.
10. Busque signos de daño en la máquina y el motor.
11. Elimine la suciedad excesiva de las protecciones del motor y de la zona del silenciador.
12. The log splitter must have at least seven feet of clearance from combustible material. It needs to be on a dry and level surface with good footing. Do not work on mud, ice, brush or snow. When using the log splitter the work zone must be maintained at all times.

C Precauciones durante el remolque:

▲ ADVERTENCIA

Pueden producirse lesiones graves o la muerte si no se acatan las normas de seguridad sobre el remolque.

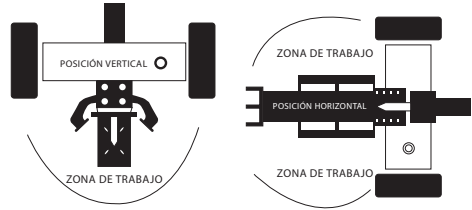
- Antes de remolcar la cortadora de troncos, revise si los neumáticos tienen desgaste excesivo, cortes o daños. Revise la presión de inflado de los neumáticos. Agregue aire según sea necesario. No infle excesivamente los neumáticos. Pueden provocarse lesiones graves si los neumáticos explotan.
- Verifique que la bola de 2 pulgadas del tamaño correcto esté en el vehículo de remolque.
- Consulte en el manual del propietario del vehículo las instrucciones de seguridad y de remolque.
- Utilice siempre cadenas de seguridad, y asegure y bloquee la cortadora de troncos en el enganche del vehículo antes de remolcar. Conduzca de forma segura. Esté atento a la longitud añadida de la cortadora de troncos.
- Nunca exceda la velocidad máxima de desplazamiento de 45 mph.
- Nunca suba ni transporte carga en la cortadora de troncos.
- Gire la válvula de combustible del motor a OFF (apagado) antes de efectuar el remolque. Esto evitará inundaciones en el carburador y el filtro de aire durante el transporte.

Manejo (la siguiente)

• **Conserve todas las instrucciones**

D Zona de trabajo del operador

NOTA: Pueden ocurrir accidentes graves cuando se permite que otras personas estén dentro de la zona de trabajo. Mantenga a todas las personas fuera de la zona de trabajo mientras maneja la palanca de control.



E Arranque del motor

En el manual del propietario del motor que viene con la cortadora de troncos puede encontrarse una descripción más detallada del manejo del motor, así como todas las precauciones y procedimientos relacionados. Lea y siga estas instrucciones.

PARA APAGAR EL MOTOR (FIG. 8)

Mueva el interruptor del motor a la posición OFF. Consulte más información en el manual del propietario del motor. No utilice el control del obturador para apagar el motor.

PARA ARRANCAR EL MOTOR (FIG. 9) (Arranque en frío)

1. Mueva el control de los obturadores (4) a la posición de dosificación de aire completa. [f]
2. Mueva la palanca de control del acelerador de la posición SLOW (lento) a aproximadamente 1/3 de la posición FAST (rápido).
3. Gire el interruptor del motor a la posición ON.
4. Sujete bien la manija de arranque. Tire la manija de arranque lentamente hasta que se sienta resistencia y luego, tire rápidamente.
5. Cuando arranque el motor mueva el control del obturador (4) a la posición de marcha. [↑]

PARA ARRANCAR EL MOTOR (FIG. 10) (Arranque en caliente)

Reinicio de un motor caliente no requiere el uso de el estrangulador.

1. Mueva la palanca de control del acelerador de la posición SLOW (lento) a aproximadamente 1/3 de la posición FAST (rápido).
2. Sujete bien y lentamente la manija de arranque hasta que se sienta resistencia y luego, tire rápidamente.

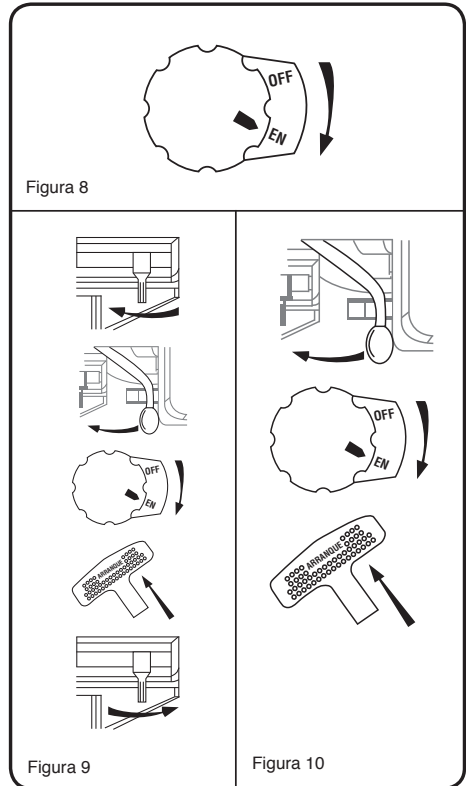


Figura 9

Figura 10

Manejo *(la siguiente)*

• **Conserve todas las instrucciones**

F Arranque de la cortadora de troncos

AVISO

El aceite hidráulico debe estar a más de 10°F (-12°C) antes de arrancar el motor. El aceite hidráulico frío puede dañar la bomba hidráulica. Si la temperatura del aire exterior es inferior a 32°F (0°C), deje calentar la cortadora de troncos extendiendo y replegando la cuña varias veces antes de cortar madera.

1. Coloque el puntal de soporte en la posición hacia abajo e instale el pasador de bloqueo. Bloquee los neumáticos para evitar que se mueva la cortadora de troncos durante su manejo.
2. Configure la cortadora de troncos en posición horizontal o vertical y bloquéela con el pasador.

AVISO

La posición HORIZONTAL se utiliza para los troncos más livianos que pueden cargarse fácilmente en el balancín. La posición VERTICAL se utiliza para los troncos livianos o pesados difíciles de cargar en el balancín.

PRECAUCIÓN

Las lesiones en la espalda pueden ser el resultado de levantar los troncos y llevarlos a la cortadora de troncos y no utilizar las técnicas apropiadas para hacer tal movimiento.

3. Cargue un tronco en el balancín contra el disco de extremidad; sujete el tronco de ambos lados y no de los extremos. (Longitud máxima del tronco: 26") (Véase la fig. 11)
4. Cerciórese de que las manos estén alejadas de la cuña y de zonas con riesgo de aplastamiento.

ADVERTENCIA

La cuña puede atravesar la piel y huesos rotos. Mantenga las manos alejadas de la cuña y el balancín. Pueden ocurrir accidentes graves cuando se permite que otras personas estén dentro de la zona de trabajo. Mantenga a todas las personas fuera de la zona de trabajo mientras maneja la palanca de control.

NO use ropa suelta. Puede enredarse en las piezas móviles de la cortadora de troncos. Utilice la cortadora de troncos solo durante el día, de manera que vea lo que hace.

5. Con una sola mano, empuje la palanca de control hacia adelante para cortar el tronco.
6. Con una sola mano, tire la palanca de control hacia atrás para que la cuña regrese a su posición original.

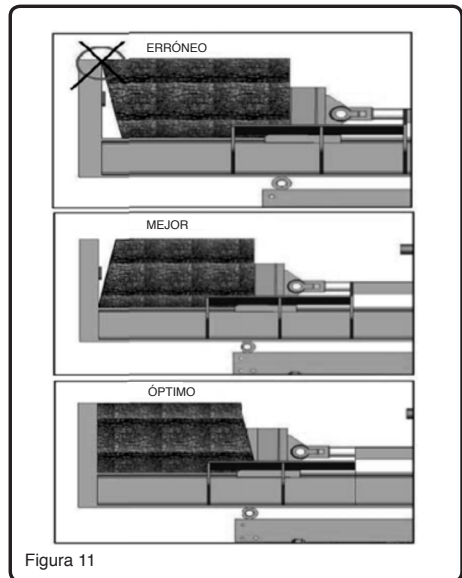
ADVERTENCIA

Para evitar lesiones en las manos o dedos, siempre mantenga las manos lejos del tronco y la cuña mientras que esta se retrae. Siempre mantenga los dedos alejados de las grietas que se abren en el tronco durante el corte.

Pueden cerrarse rápidamente y apretar o amputar los dedos.

Si un tronco se atasca, incrusta o no corta completamente, empuje la palanca de control en la dirección de marcha atrás y deje que la cortadora descortee el tronco desde la cuña.

7. Mantenga siempre la zona de trabajo limpia y libre de madera cortada y desechos.



Ilustraciones del manejo

• Conserve todas las instrucciones

PARA USO HORIZONTAL:

1. Compruebe que el pasador delantero esté totalmente conectado para sujetar la parte delantera del balancín de la cortadora.
(See fig. 12)

PARA USO VERTICAL:

1. Tire el pasador delantero para liberar el balancín.
2. Gire el balancín hacia la posición vertical.
3. Tire el pasador de bloqueo del balancín trasero y gire a una posición de las 9 en punto en el reloj para asegurar el balancín. (See fig. 13)

PARA REMOLCAR EL VEHÍCULO:

1. Presione hacia abajo la manija y cierre herméticamente.
2. Enganche la cadena de seguridad al vehículo de remolque.
3. Gire la pata delantera hacia arriba y deslice el pasador de bloqueo. (See fig. 14)

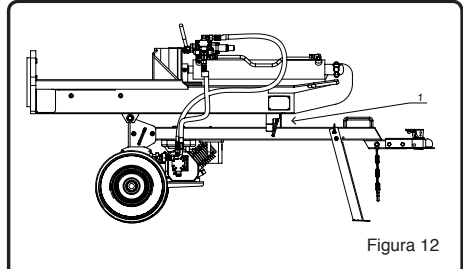


Figura 12

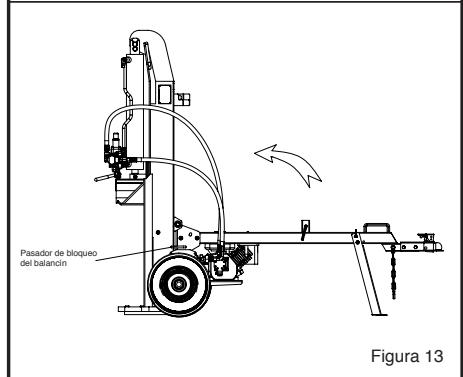


Figura 13

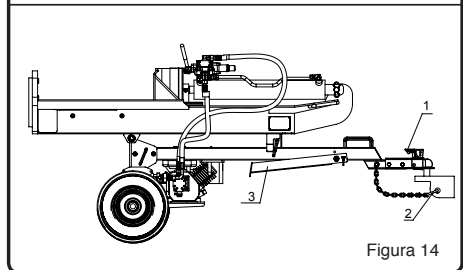


Figura 14

Mantenimiento

• Conserve todas las instrucciones

- Antes de realizar el mantenimiento, la cortadora de troncos debe estar en modo de mantenimiento. Apague el motor y mueva la palanca de control hacia delante y hacia atrás para liberar la presión hidráulica.
- Después de realizar el mantenimiento, compruebe que todos los resguardos, protecciones y dispositivos de seguridad se vuelvan a colocar en su lugar antes de manejar la cortadora de troncos.
- Antes de manejarla, cerciórese de que los neumáticos tengan la presión recomendada.
- Engrase el eje y cojinete de las ruedas una vez al año.
- Revise periódicamente que los tornillos pasadores y las mangueras estén herméticos y no tengan fugas.
- Una vez al año o cuando sea necesario limpie y lubrique ligeramente todas las piezas móviles.
- Utilice una pintura en aerosol de esmalte satinado para retocar las superficies metálicas rayadas o desgastadas.

Qué	Cuándo	Método
Mangueras	Cada uso	Inspeccione la malla metálica expuesta de las mangueras y que no haya fugas en ellas. Cambie todas las mangueras desgastadas o dañadas antes de arrancar el motor.
Accesorios hidráulicos	Cada uso	Inspeccione los accesorios en busca de grietas y fugas. Cambie todos los accesorios dañados antes de arrancar el motor.
Tornillos y tuercas	Cada uso	Compruebe si hay tornillos sueltos; apriételos antes de manejar.
Balancín	Cada uso	Aplique grasa en la superficie del balancín.
Piezas móviles	Cada uso	Limpie la suciedad de la cortadora de troncos.

Consulte el mantenimiento del motor en el manual del propietario del motor.

AVISO

Si una pieza necesita repuesto, solo utilice piezas ORIGINALES que cumplan con las especificaciones del fabricante. Los repuestos que no cumplan con las especificaciones pueden suponer un riesgo para la seguridad o un mal funcionamiento.

ALMACENAMIENTO

- Antes de guardar la cortadora de troncos, cerciórese de que esté limpia y seca.
- Guarde el equipo en una zona limpia y seca. Guarde la máquina lejos de chispas, llamas abiertas, luces piloto, calor y otras fuentes de ignición.
- Engrase ligeramente todas las superficies de la cortadora de troncos y piezas en movimiento para evitar que se oxiden. Consulte la sección de Mantenimiento. (consulte la sección de **mantenimiento**).
- Almacene bajo techo o en una zona protegida durante clima extremo y en los meses de invierno.
- Consulte en el **manual del propietario del motor** las instrucciones de almacenamiento del motor. Es especialmente importante extraer el combustible del motor cuando la unidad vaya a almacenarse durante un periodo prolongado.

Diagnóstico y resolución de problemas

• Conserve todas las instrucciones

Problema	CAUSAS POSIBLES	SOLUCIONES
El vástago del cilindro no se mueve	<ol style="list-style-type: none"> 1. Aceite insuficiente en la bomba 2. Líneas hidráulicas bloqueadas 3. Válvula de control bloqueada 4. Válvula de control dañada 5. Fuga interna del cilindro 	<ol style="list-style-type: none"> 1. Compruebe que el nivel de aceite sea suficiente 2. Lave y limpie el sistema hidráulico de corte 3. Lave y limpie el sistema hidráulico de corte 4. Devuelva la válvula de control para una reparación autorizada 5. Devuelva el cilindro para una reparación autorizada
El vástago del cilindro tiene una velocidad lenta al extenderse o replegarse	<ol style="list-style-type: none"> 1. Aceite insuficiente en la bomba 2. Aire en el aceite 3. Exceso de vacío en la entrada de la bomba 4. Válvula de control dañada 5. Fuga interna de la válvula de control 6. Daño interno en el cilindro 7. Control del motor fuera de ajuste 	<ol style="list-style-type: none"> 1. Compruebe que el nivel de aceite sea suficiente 2. Compruebe que el nivel de aceite sea suficiente 3. Revise la manguera de la entrada de la bomba en busca de obstrucciones o torceduras 4. Devuelva la válvula de control para una reparación autorizada 5. Devuelva la válvula de control para una reparación autorizada 6. Devuelva la válvula de control para una reparación autorizada 7. Ajuste las tuercas de control no utilizadas
No se corta la madera o los cortes son muy lentos	<ol style="list-style-type: none"> 1. Aceite insuficiente en la bomba 2. Aire en el aceite 3. Exceso de vacío en la entrada de la bomba 4. Ajuste bajo de la válvula de control 5. Fuga interna de la válvula de control 6. Daño interno en el cilindro 	<ol style="list-style-type: none"> 1. Compruebe que el nivel de aceite sea suficiente 2. Compruebe que el nivel de aceite sea suficiente 3. Revise la manguera de la entrada de la bomba en busca de obstrucciones o torceduras 4. Ajuste la válvula de control con un manómetro 5. Devuelva la válvula de control para una reparación autorizada 6. Devuelva el cilindro para una reparación autorizada
El motor se atasca durante el corte	<ol style="list-style-type: none"> 1. Ajuste alto de la válvula de control 2. Control del motor fuera de ajuste 	<ol style="list-style-type: none"> 1. Ajuste la válvula de control con un manómetro 2. Ajuste las tuercas de control no utilizadas
El motor se cala en una condición de carga baja	<ol style="list-style-type: none"> 1. Líneas hidráulicas bloqueadas 2. Válvula de control bloqueada 3. Control del motor fuera de ajuste 4. El motor se cala durante el modo inactivo 	<ol style="list-style-type: none"> 1. Lave y limpie el sistema hidráulico de corte 2. Lave y limpie el sistema hidráulico de corte 3. Adjust idle control nuts 4. Use shorter log length (26" or less) to allow engine to speed up before contact.
Problemas con el arranque del motor	<ol style="list-style-type: none"> 1. Funcionamiento del motor 	<ol style="list-style-type: none"> 1. Consulte el manual del propietario

Servicio técnico

Si se tuvieron preguntas adicionales sobre el montaje, operación o mantenimiento de esta SOPLADOR, se puede contactar a nuestro Departamento de Servicio Técnico al 1-800-737-2112 (solo inglés).

Puede también escribir a:

Sede social METL - SOLAMENTE CORRESPONDENCIA
ATTN: Servicio técnico – METL
6700 Wildlife Way
Long Grove, IL 60047



**Si necesita ayuda o tiene una duda,
LLAME SIN COSTO AL: 1-800-737-2112.**

Al ponerse en contacto con Departamento de servicio

técnico, prepare:

- Su nombre
 - Su dirección
 - Su número de teléfono
- El número del modelo del producto
 - La fecha de compra (incluyendo una copia del recibo para requisitos escritos).

Guía sobre pendientes

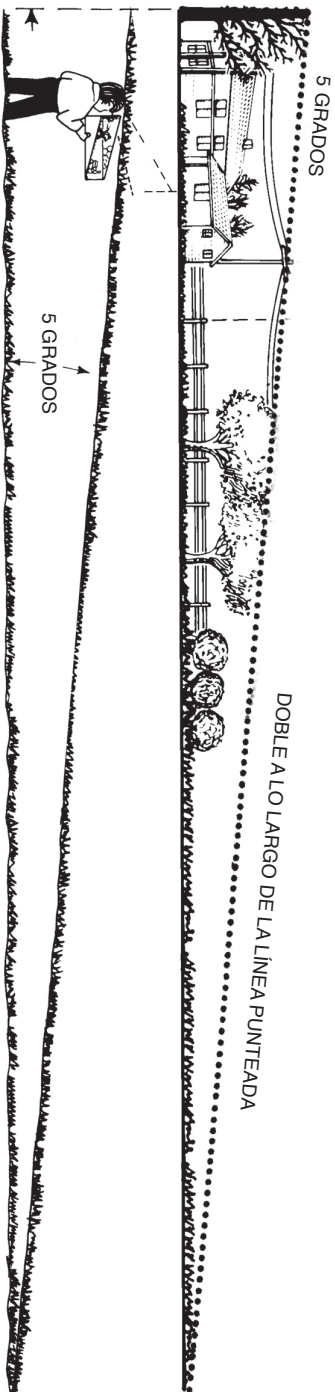
OBSERVE Y MANTENGA ESTE NIVEL DE GUÍA CON UN ÁRBOL VERTICAL, UNA ESQUINA DE UNA ESTRUCTURA, UN POSTE DE ALTA TENSION O UNA CERCA.

Utilice esta guía y no corte madera en una pendiente superior a 5 grados. Una pendiente de 5 grados es una cuestas que aumenta en altura a aproximadamente 1.7 pies en 10 pies.



ADVERTENCIA

Tenga mucho cuidado en todo momento y evite giros abruptos o maniobras. Siga las instrucciones de este manual sobre la seguridad durante el corte de madera en pendientes. Maneje la cortadora de troncos transversalmente hacia las pendientes; nunca hacia arriba o hacia abajo de estas. Tenga mucho cuidado cuando la maneje en pendientes y obstrucciones o cerca de estas.



Garantía

• *Conserve todas las instrucciones*

A Powermate® GARANTÍA LIMITADA DE LA CORTADORA DE TRONCOS

Siempre especifique el número de modelo cuando se ponga en contacto con la fábrica.

GARANTÍA LIMITADA DE LA CORTADORA DE TRONCOS

Siempre especifique el número de modelo cuando se ponga en contacto con la fábrica. Nos reservamos el derecho a modificar estas especificaciones en cualquier momento sin previo aviso. La única garantía aplicable es nuestra garantía por escrito estándar. No damos ninguna otra garantía, Ya sea explícita o implícita.

MAT engine technologies, LLC garantiza esta cortadora de troncos durante 3 años a partir de la fecha de la compra, así como el reemplazo o reparación de defectos de los materiales y la mano de obra para el comprador original de esta cortadora. Durante 2 años a partir de la fecha de compra, el motor está cubierto por la garantía del fabricante del motor. Durante 1 año a partir de la fecha de compra, MAT Engine Technologies, llc reparará o cambiará los componentes del sistema hidráulico.

En el caso de una cortadora de troncos comercial o reacondicionada, entrará en vigor una garantía de 90 días a partir de la primera fecha de la compra de un distribuidor autorizado siempre y cuando el producto se haya mantenido adecuadamente y manejado de acuerdo con todas las instrucciones aplicables. Esta garantía solo se amplía para el comprador minorista original. Debe presentarse la nota de venta o comprobante de compra al momento de hacer un reclamo según esta garantía. Esta garantía no cubre el uso para alquiler ni tampoco es aplicable a las piezas que no están en su condición original debido al uso y desgaste normales, o piezas que fallen o se dañen como resultado de un mal uso, accidentes, falta de mantenimiento adecuado, manipulación o alteración.

Las excepciones al periodo de la garantía estándar serían artículos con desgaste normal, como cuñas de corte, neumáticos y tuberías, filtros de aire y bujías que solo están cubiertos por un periodo de 60 días contra defectos de material o de mano de obra. Los costos por viajes, manipulación, transporte y gastos adicionales relacionados con la garantía de reparación no son reembolsables bajo esta garantía y son responsabilidad del propietario.

En la medida que lo permita la ley de la jurisdicción que regula la venta del producto, esta garantía explícita excluye cualquiera y todas las otras garantías explícitas y limita la duración de cualquiera y todas las garantías implícitas, que incluyen las garantías de comerciabilidad e idoneidad para un fin particular a dos años a partir de la fecha de la primera compra.

Por la presente, la responsabilidad de MAT Engine Technologies, LLC queda limitada al precio de compra del producto y no se hará cargo de ningún otro daño, tales como daños directos o indirectos, incidentales o consecuentes. Algunos estados no permiten la limitación de la duración de una garantía implícita o la exclusión o limitación de daños incidentales o consecuentes, por lo que la limitación anterior de una indemnización por daños y perjuicios puede no ser aplicable a usted. Esta garantía ofrece al comprador original derechos específicos.

Para obtener más información sobre estos derechos, por favor, consulte las leyes del estado aplicables.

OFICINA CORPORATIVA DE METL: SOLO CORRESPONDENCIA

ATENCIÓN: SERVICIO TÉCNICO; METL

6700 WILDLIFE WAY

LONG GROVE, IL 60047