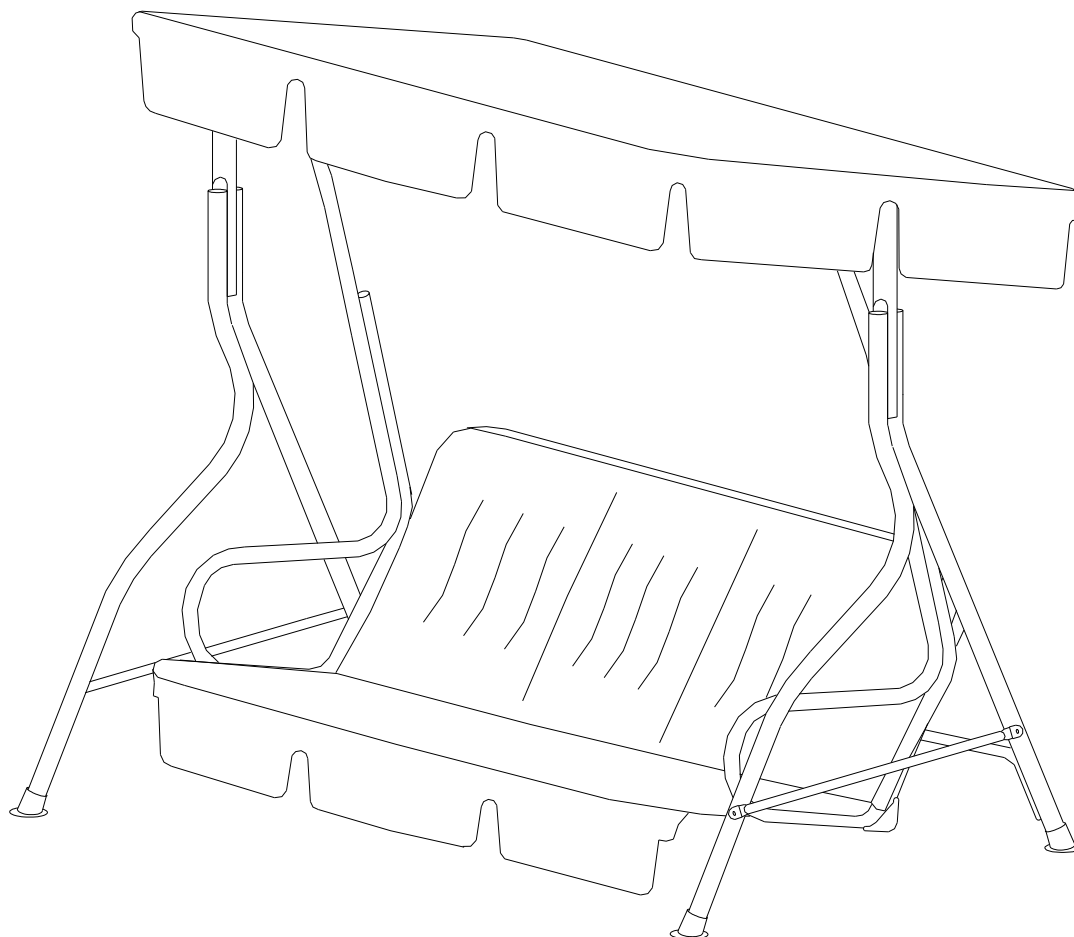


# Assembly Instruction

## Item# L-DNC373PST-C



### **Warranty:**

1. This swing must be assembled by two adults or more.
2. Tools are not included in packaging. The expected time required for assembly is usually 1-2hours.
3. Before assembly, ensure all parts are present and not damaged.
4. Assembly on a flat, hard, and debris-free surface.
5. Keep canopy swing away from fire or inflammable objects.
6. There are small parts are present in the packaging, do keeping small parts away from children.
7. Children should be accompanied under the adults when use the swing.
8. Do not repack your swing until it is completely dry.
9. This swing must not be left erect in high wind conditions.

### Part list:

No.	Part	Qty.	Image
1	Top support 1	1	
2	Top support 2	1	
3	Front leg	2	
4	Back leg	2	
5	Bottom support	2	
6	Back support 1	1	
7	Back support 2	1	

No.	Part	Qty.	Image
8	Handrail	2	
9	Seat	1	
10	Canopy side support	2	
11	Canopy support	2	
12	Canopy	1	
13	Cushion	1	

### Hardware List:

No.	Part	Qty.	Image
A	M8*95 Screw	4	
B	M6*85 Screw	2	
C	M6*75 Screw	4	
D	M6*60 Screw	8	
E	M6*50 Screw	6	
F	M6*30 Screw	3	
G	Nut	2	

No.	Part	Qty.	Image
H	M6 Nut	23	
I	M6 Flat washer	46	
J	M6 Ball Nut	23	
K	Hook	2	
L	M8 Nut	4	
M	M8 Flat washer	8	
N	M8 Ball nut	4	

**Assembly:**

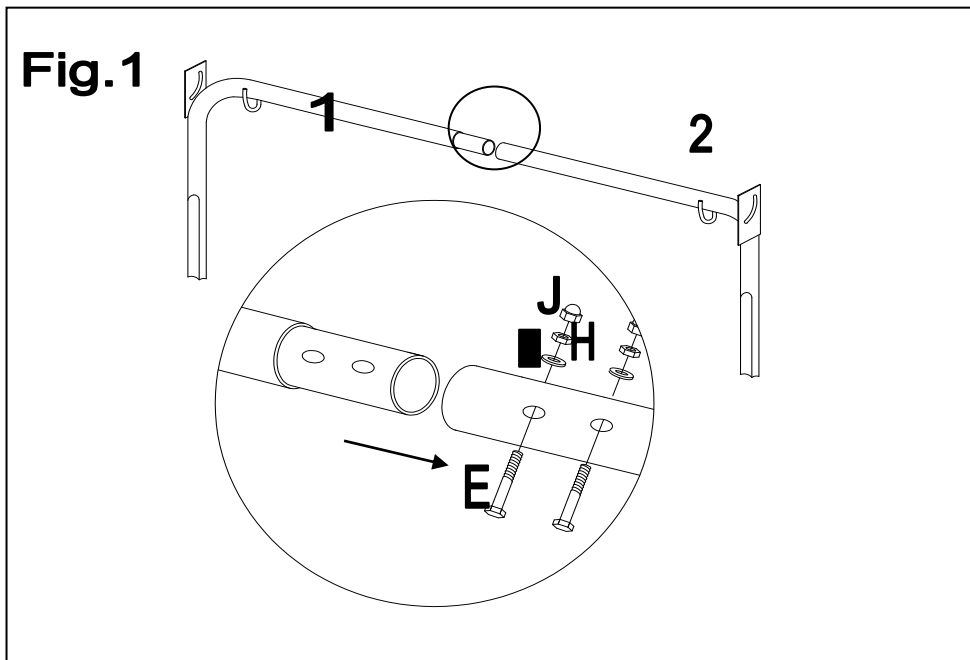


Fig.1: Insert the top support 1 (1) into the tube of the top support 2 (2) as the arrow direction by using screw (E), flat washer (I), nut (H) and ball nut (J) to connect.

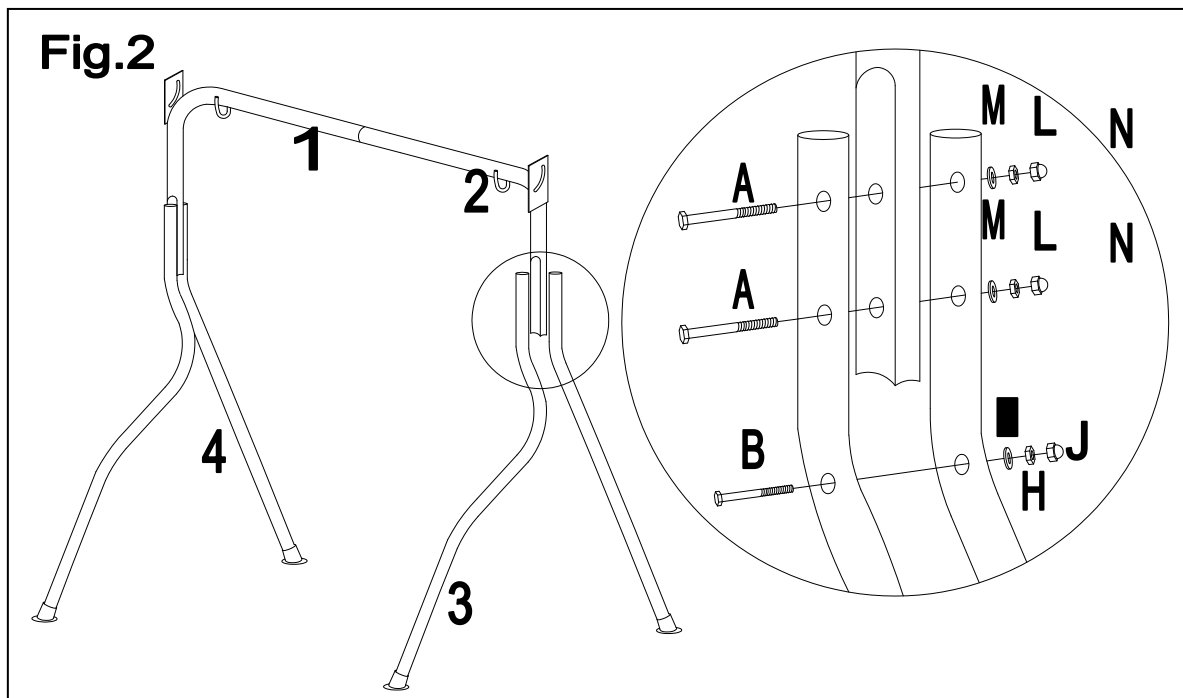


Fig.2: Using screw (A), flat washer (M), nut (L) and ball nut (N) to connect front leg (1) and back leg (2) with top supports (1 and 2). Then using screw (B), flat washer (I), nut (H) and ball nut (J) to connect front leg (3) with back leg (4).

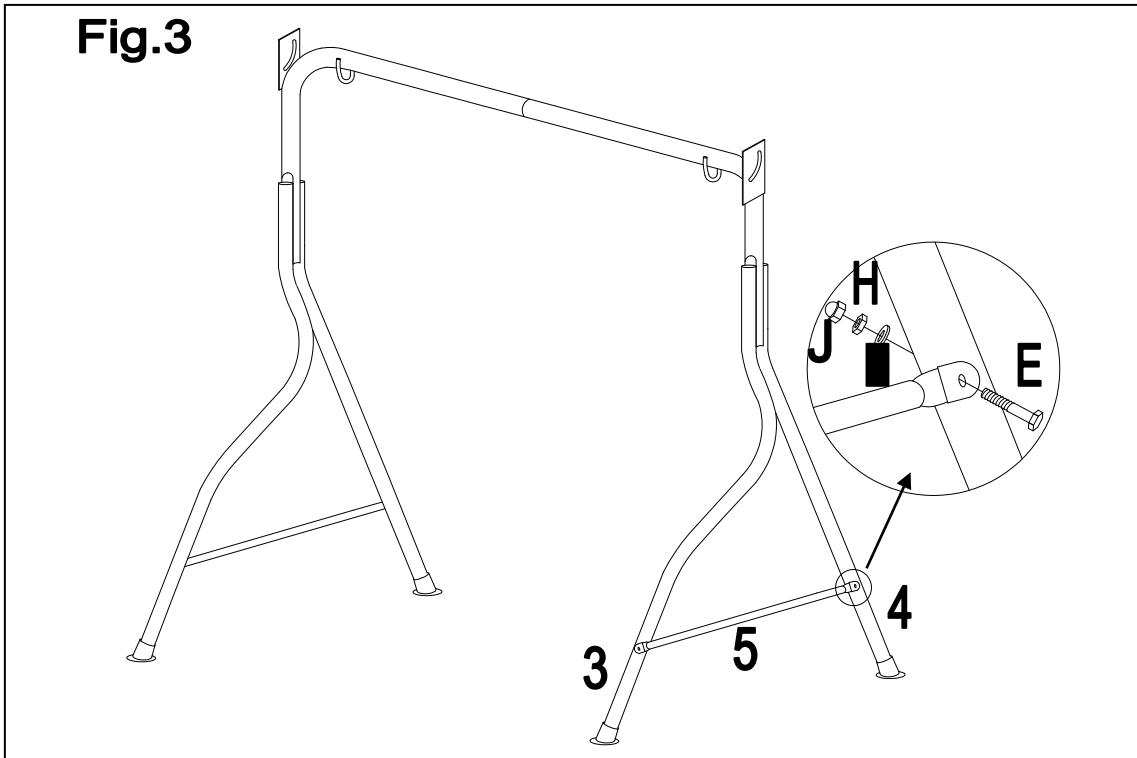


Fig.3: Using screw (E), flat washer (I), nut (H) and ball nut (J) to connect bottom support (5) with front leg (3) and back leg (4).

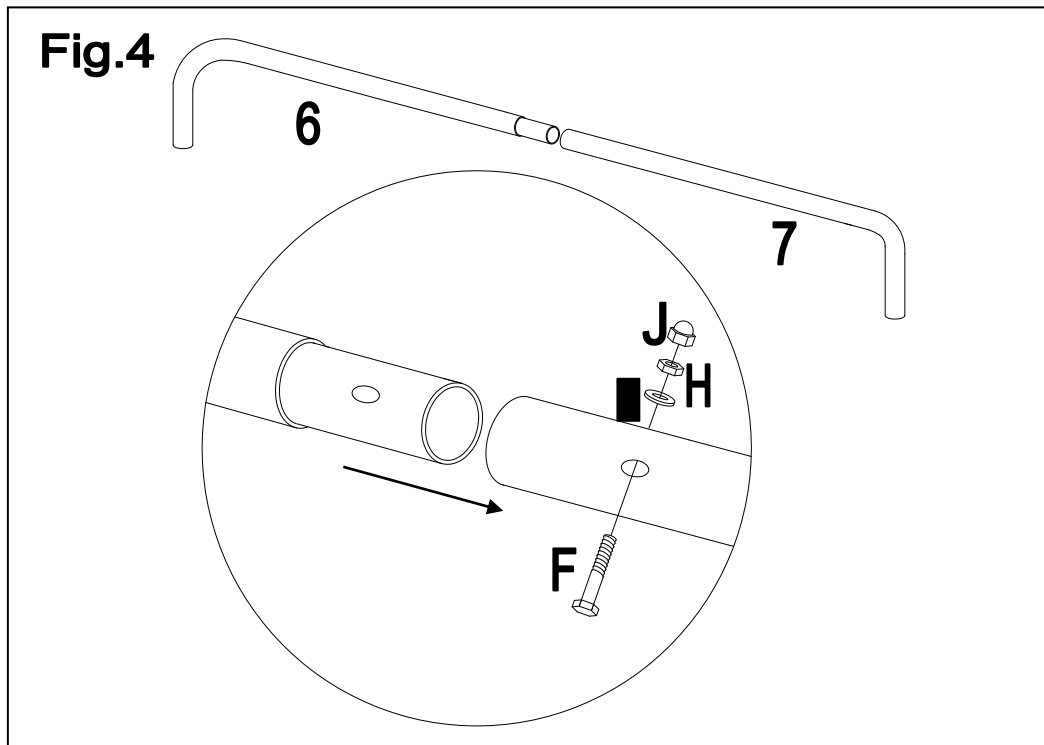


Fig.4: Insert the back support 1 (6) into the tube of back support 2 (7) by using screw (F), flat washer (I), nut (H) and ball nut (J) to connect the back supports (6 and 7).

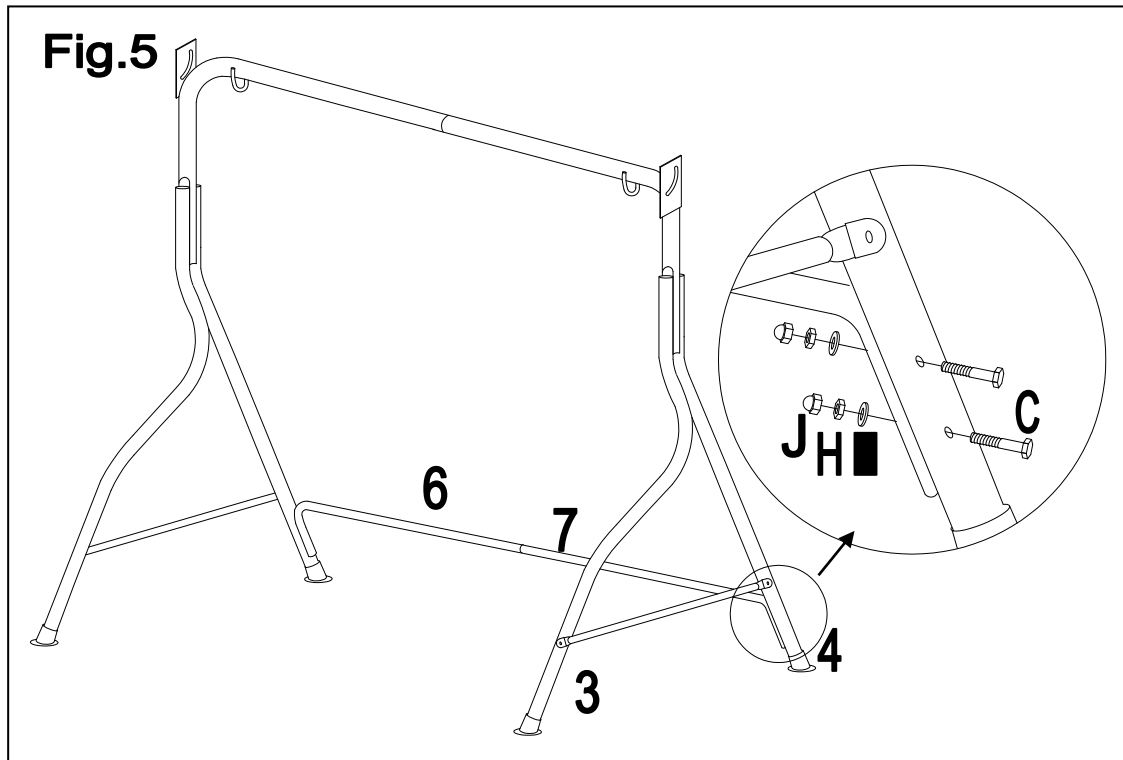


Fig.5: Using screw (C), flat washer (I), nut (H) and ball nut (J) to connect assembled back supports (6 and 7) with back leg (4).

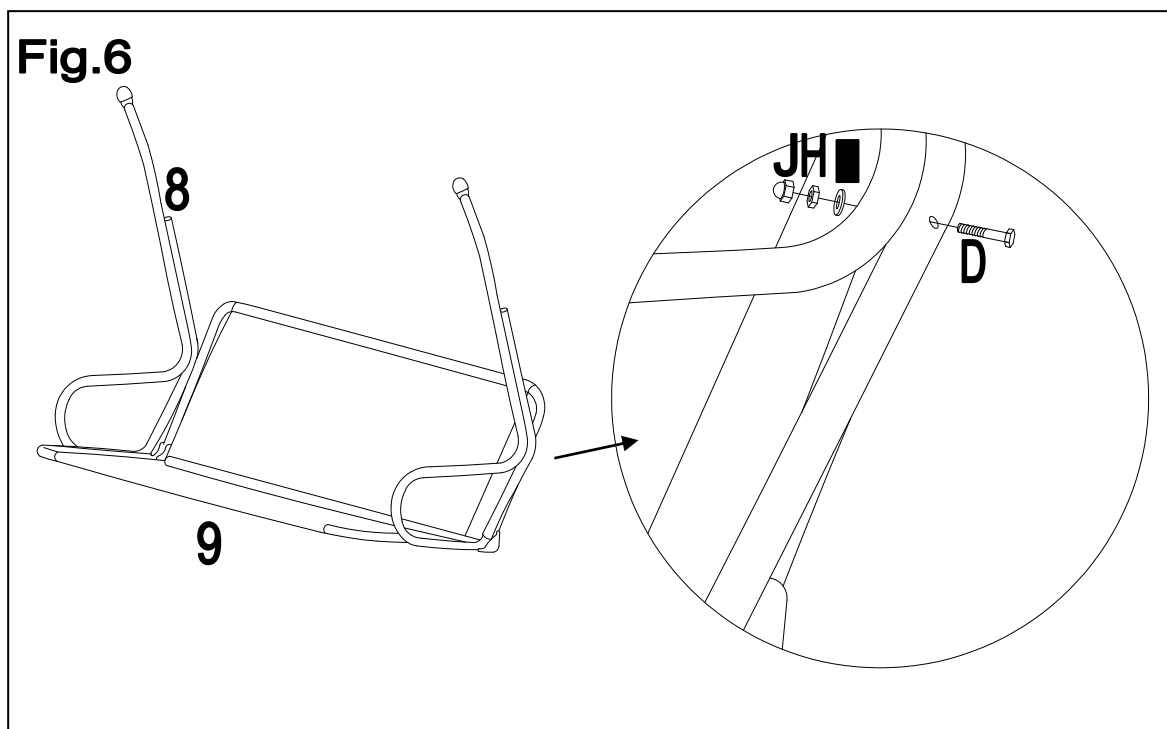


Fig.6: Using screw (D), flat washer (I), nut (H) and ball nut (J) to connect handrail (8) with seat (9).

**Fig.7**

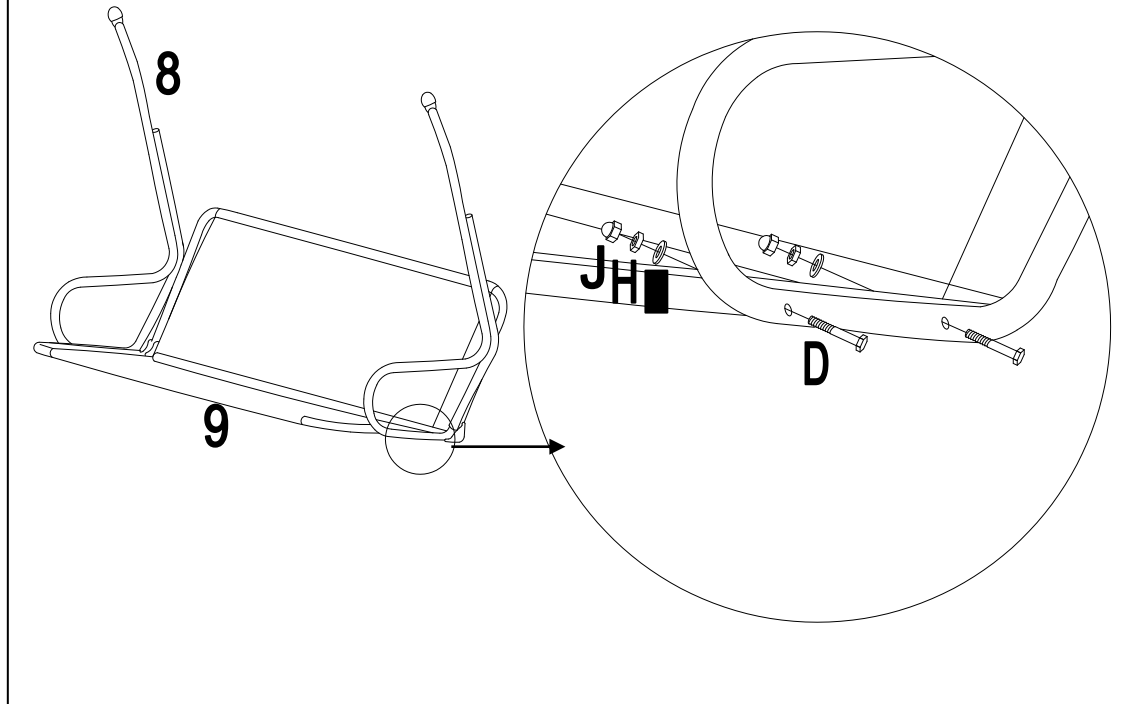


Fig.7: Using screw (D), flat washer (I), nut (H) and ball nut (J) to connect the bottom end of the handrail (8) with bottom end of the seat (9).

**Fig.8**

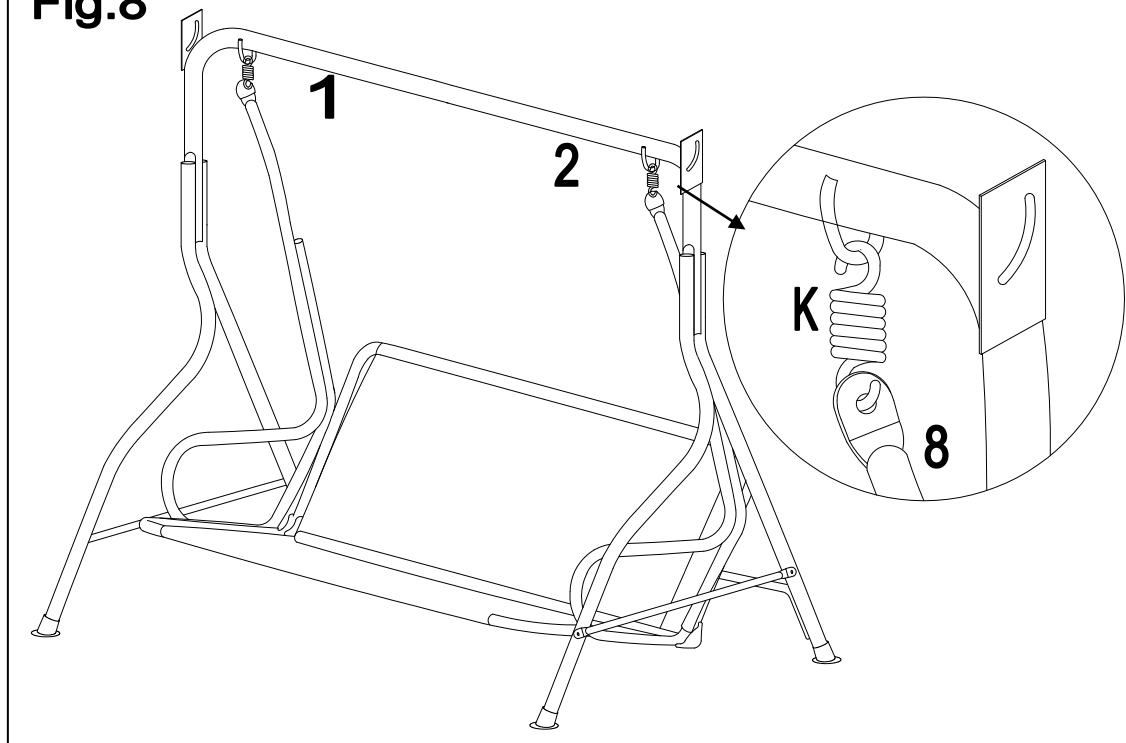


Fig.8: Attach one end of the hook (K) to the handrail (8) and other end to the rings on the top supports (1 and 2).

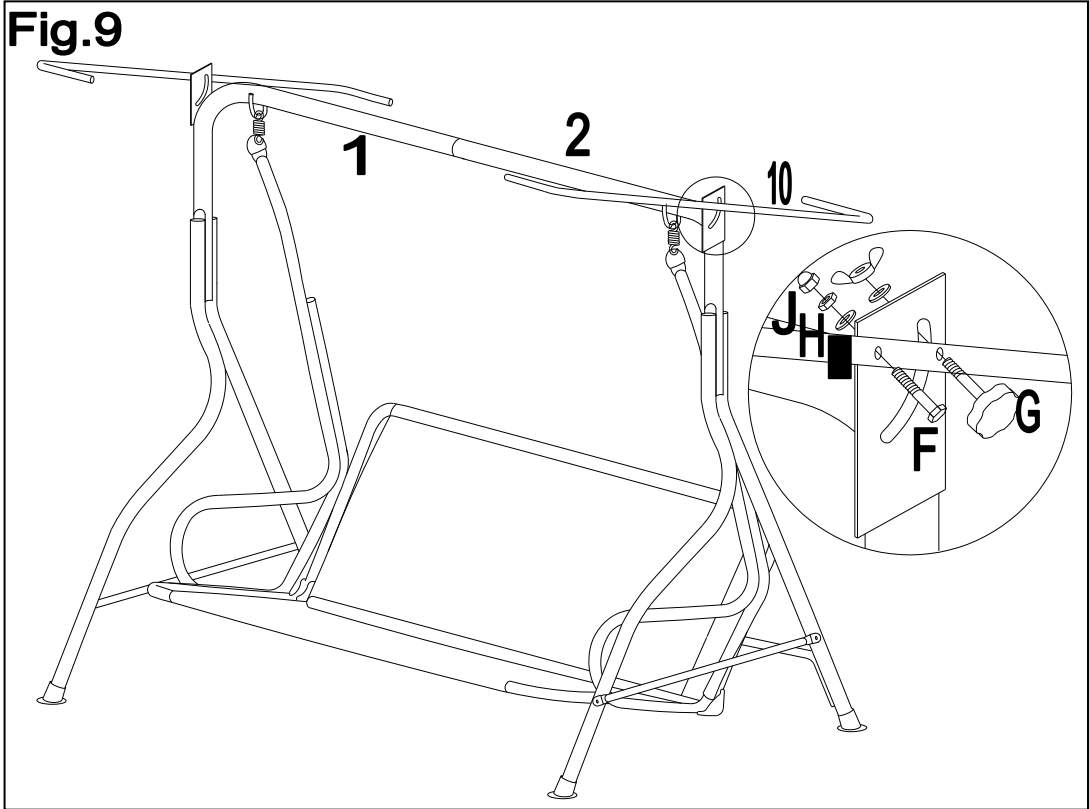


Fig.9: Using screw (F), flat washer (I), nut (H) and ball nut (J) to connect canopy side support (10) with top supports (1 and 2). Then using nut (G) to connect canopy side support (10) with top supports (1 and 2).

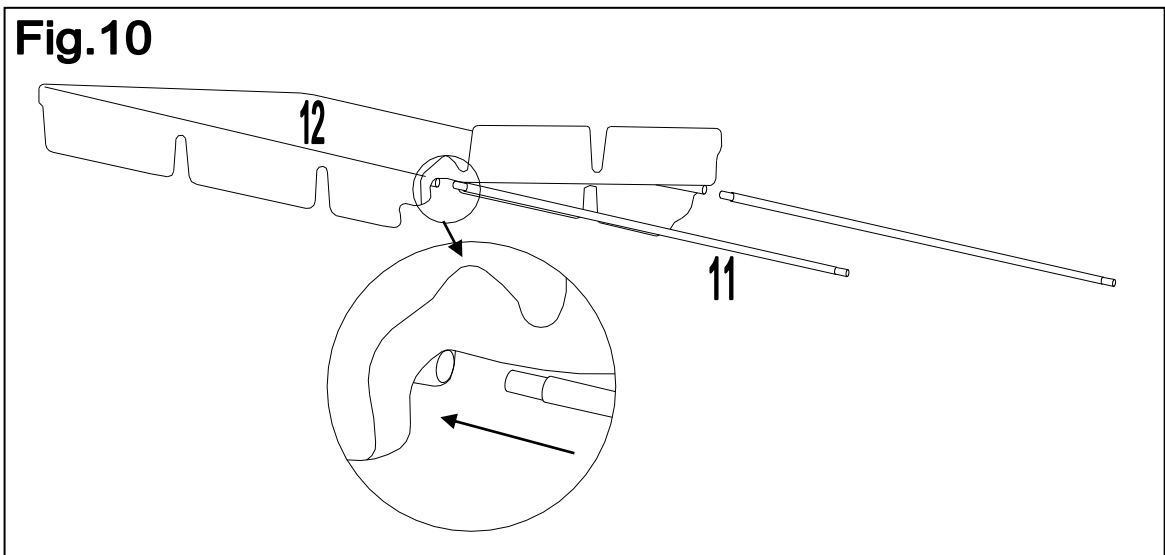


Fig.10: Insert the canopy support (11) into the canopy (12) as the arrow direction.

**Fig.11**

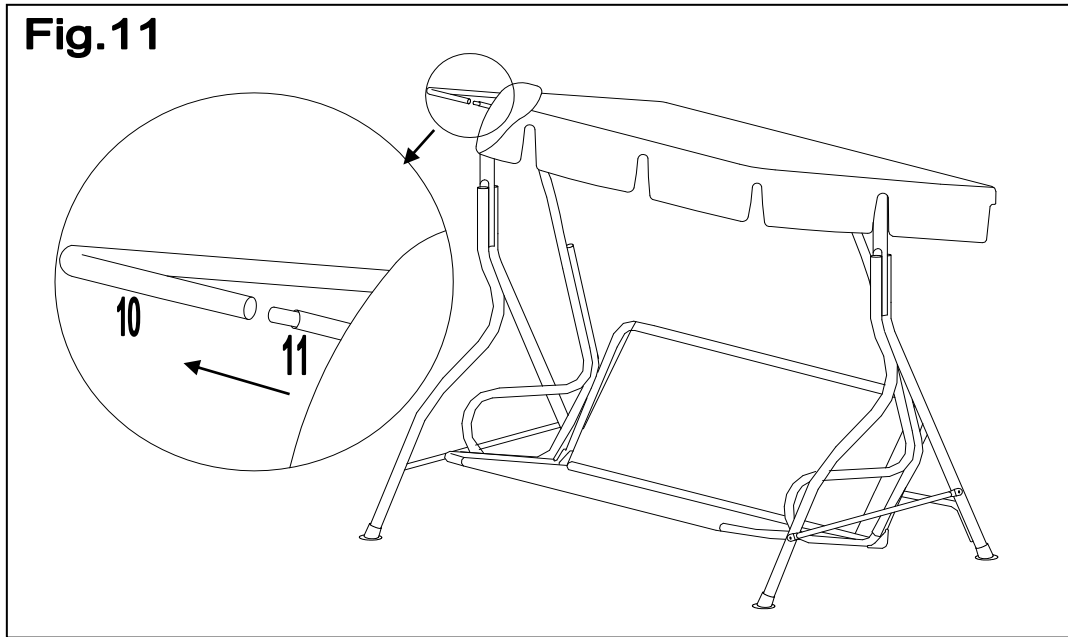


Fig.11: Insert the canopy support (11) into the canopy side support (10) as the arrow direction, then attach the canopy (12).

**Fig.12**

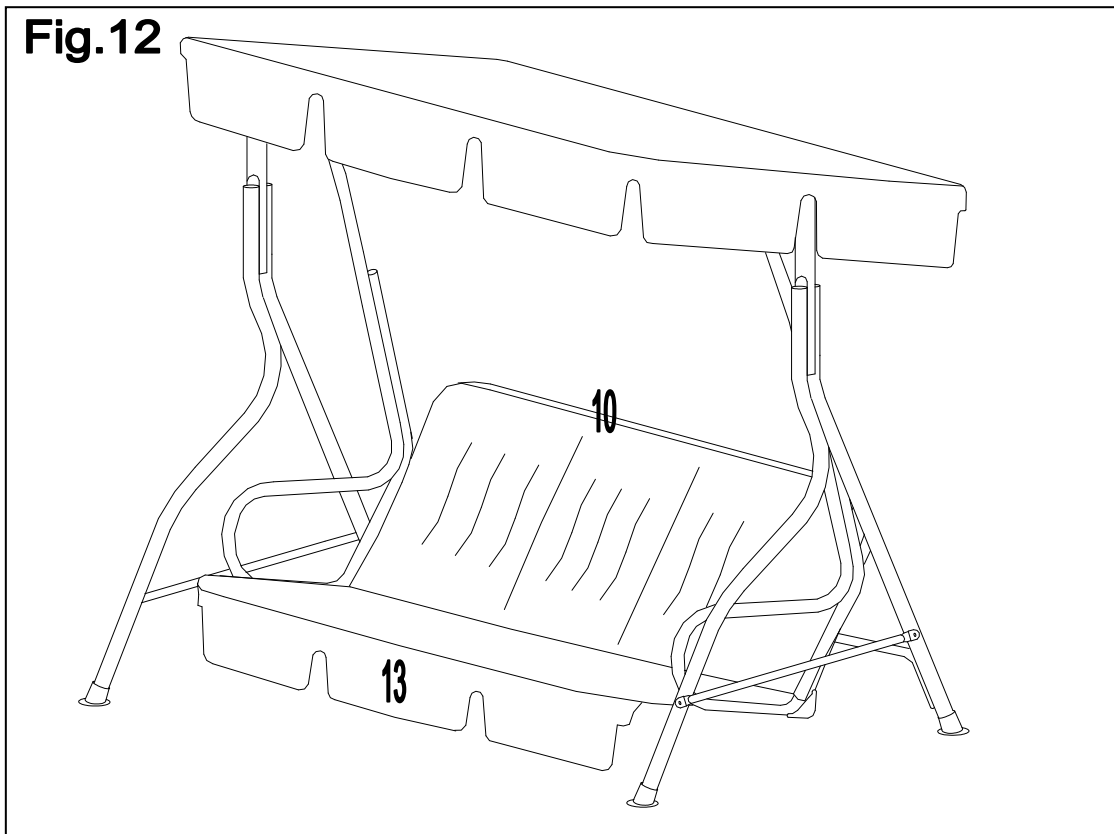


Fig.12: Attach the cushion (13) on the seat (10).



### **Limited Warranty:**

This limited warranty is extended to the original purchaser and applies to defects in materials and workmanship of your item provided the item is maintained with care and used only for personal, residential purposes.

The item is warranted to be free from defects in material or workmanship for a period of **6** months. We don't reimburse for transportation or delivery costs, or compensate the individual or any outside party for assembling or disassembling the product.

### **Exclusions:**

Items used for commercial, contract, or other non-residential purposes, or items damaged due to acts of nature, vandalism, misuse, or improper assembly are not covered. Corrosion or rusting of hardware is not covered. Proof of purchase (dated register receipt) is required for warranty claims. Warranty is to the original purchaser and is non-transferable. Any replacement of warranted items will be in the original style and color, or a similar style and color if the original is unavailable or has been discontinued. As some states do not allow exclusions or limitations on an implied warranty, the above exclusions and limitations may not apply. This warranty gives you specific rights, and you may also have other rights, which vary from state to state.

### **Care & Maintenance:**

1. Before using, clean the swing completely with a soft dry towel.
2. Do not place your swing in wet conditions where there is a risk of rust developing.
3. When not in use, wipe free of any dirt or loose objects, Do not use strong detergent or abrasive cleaners.
4. When not in use, store in a cool, dry location away from sunlight.

Made in China