

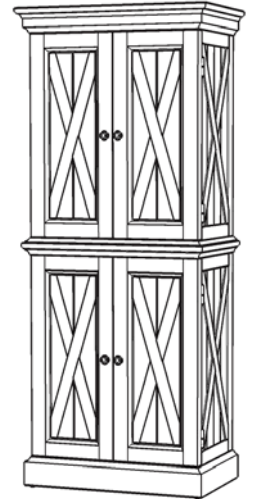
88 5523 691  
**Pantry**

**IMPORTANT NOTE**

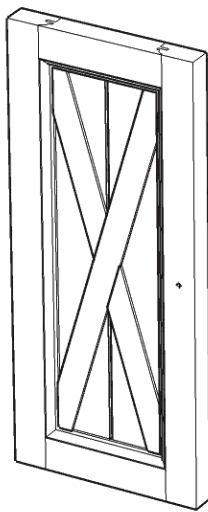
Carefully remove all the parts from the carton and put them individually on a soft cloth to prevent scratches or other damages occurring to the parts.

We have taken great care in the design of this product and request that you carefully and strictly follow our assembly instructions to ensure a completed product as it was designed.

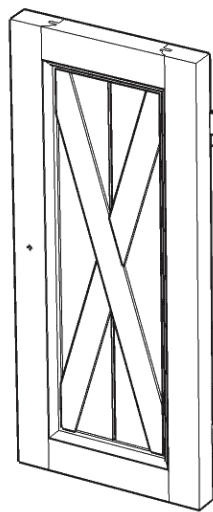
*Home  
Styles*



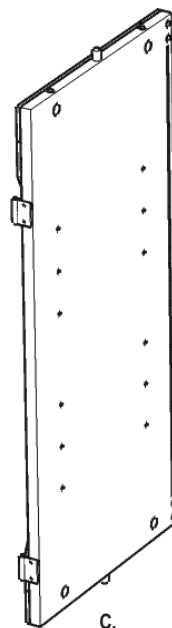
**Part List**



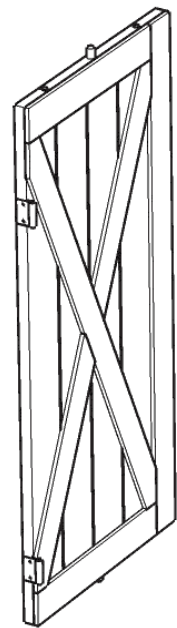
A.  
Door  
2 pcs.



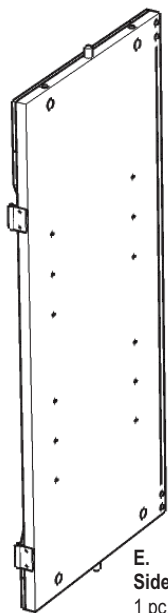
B.  
Door  
2 pcs.



C.  
Side Panel  
1 pc.



D.  
Side Panel  
1 pc.



E.  
Side Panel  
1 pc.



F.  
Side Panel  
1 pc.

For assembly see instructions in carton 88 5523 692

Home Styles Consumer Assistance Line 888-680-7460 and 877-831-0319  
[servicedesk@homestyles-furniture.com](mailto:servicedesk@homestyles-furniture.com)

88 5523 692

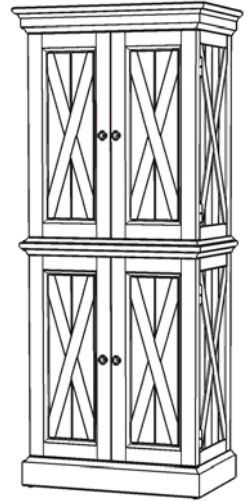
# Pantry

## IMPORTANT NOTE

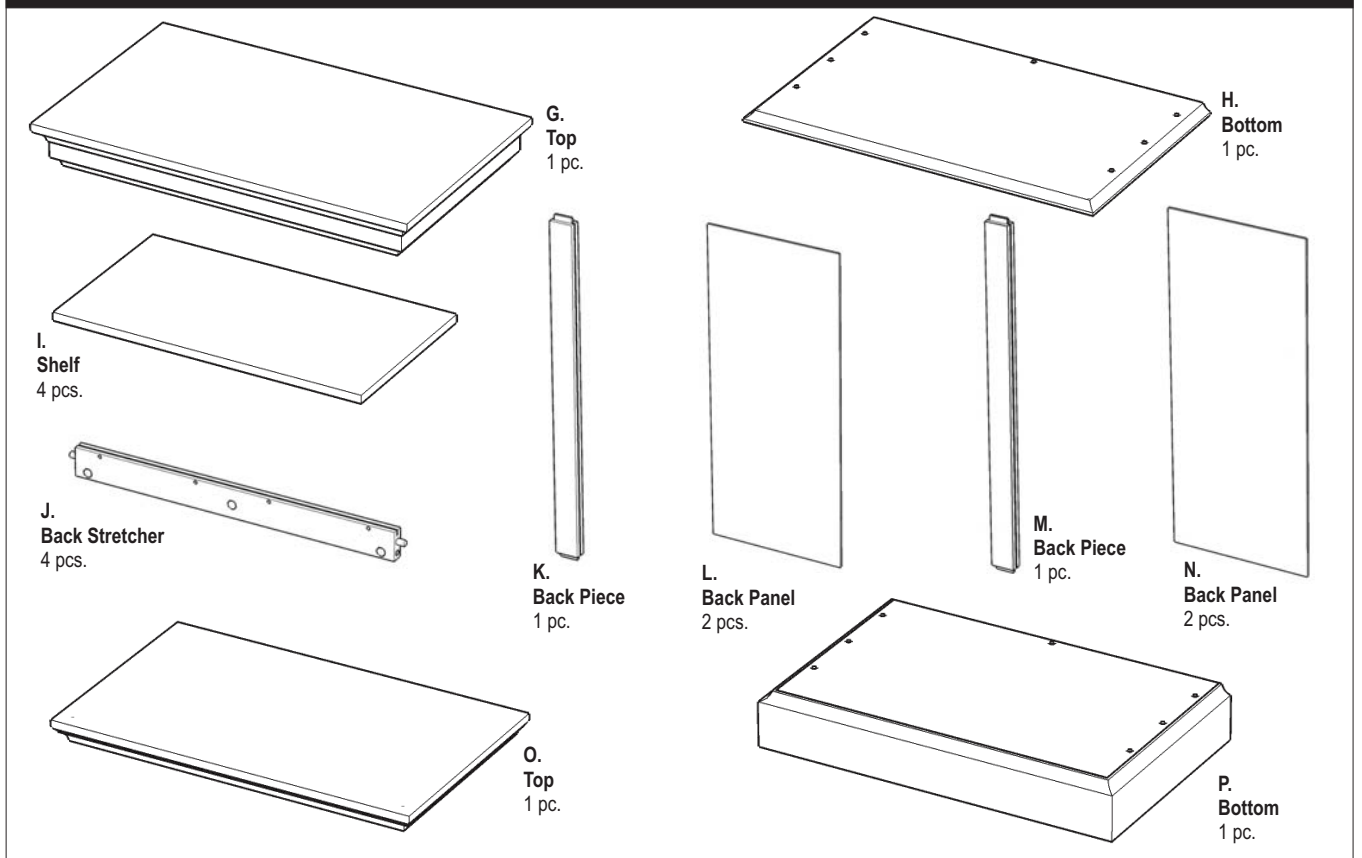
Carefully remove all the parts from the carton and put them individually on a soft cloth to prevent scratches or other damages occurring to the parts.

We have taken great care in the design of this product and request that you carefully and strictly follow our assembly instructions to ensure a completed product as it was designed.

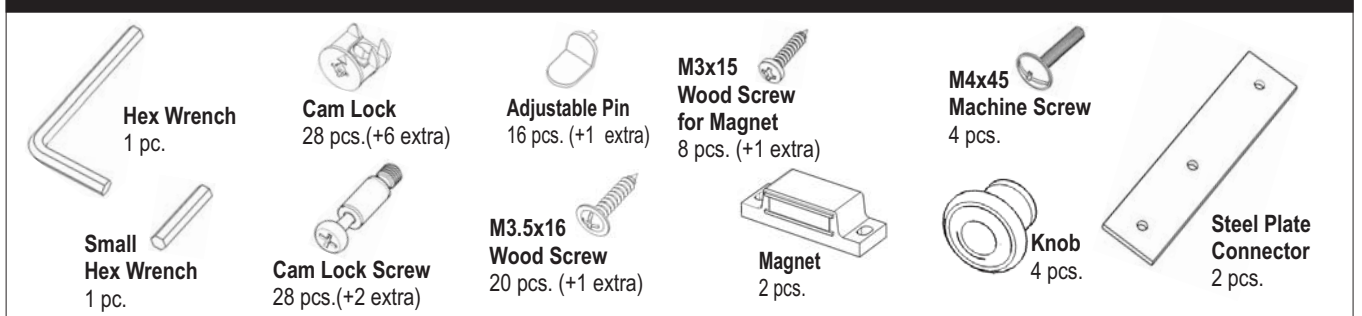
Home Styles



## Part List



## Hardware List



Also need the following from carton 88 5523 691

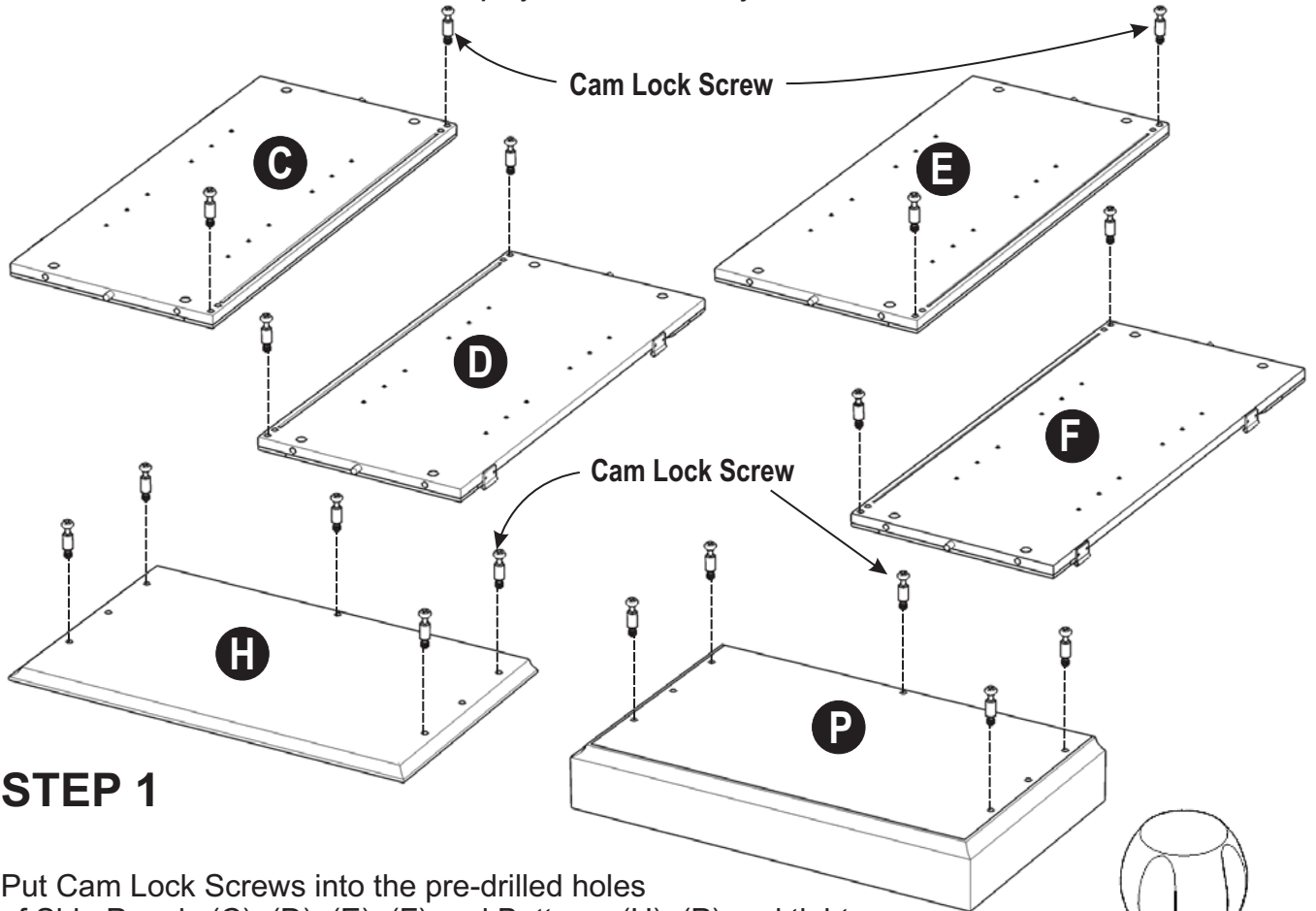
Tools required for assembly : Phillips screwdriver, Drill, 3/8" Drill Bit, Level

Home Styles Consumer Assistance Line 888-680-7460 and 877-831-0319  
servicedesk@homestyles-furniture.com

# Assembly Instructions 2/6

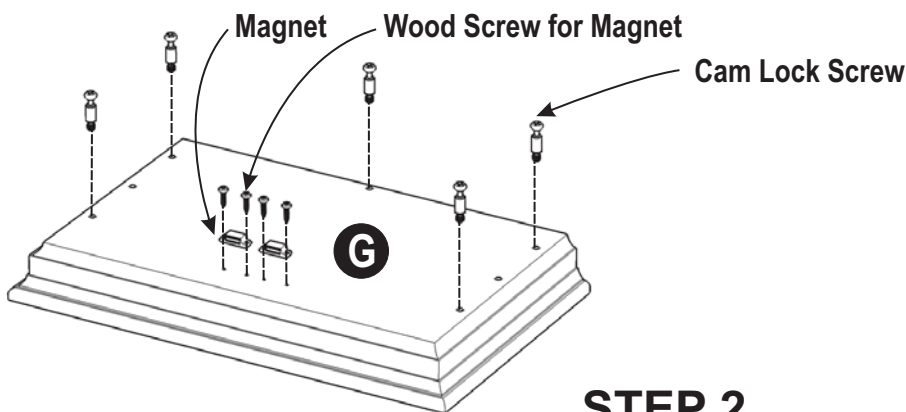
## IMPORTANT

- \* Do not tighten up all the screws until each part is properly assembled.
- \* You should keep Hex Wrench in a safe place as you may need to tighten up the Cam Locks in the future.
- \* Use a soft cloth between these parts and the floor.
- \* After assembly, item must be level to work properly. Use the included adjustable levelers to level.



## STEP 1

Put Cam Lock Screws into the pre-drilled holes of Side Panels (C), (D), (E), (F) and Bottoms (H), (P) and tighten. (see Figure 1)



## STEP 2

Put Cam Lock Screws into the pre-drilled holes of Tops (G), (O) and tighten.

Attach Magnets to Tops (G) and (O) with Wood Screws for Magnet. (see Figure 2)

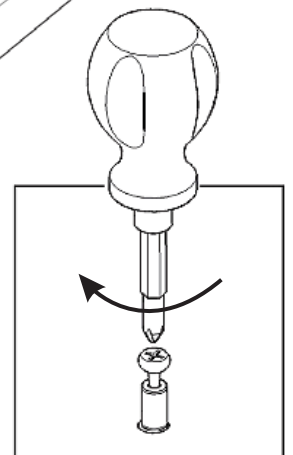


Figure 1

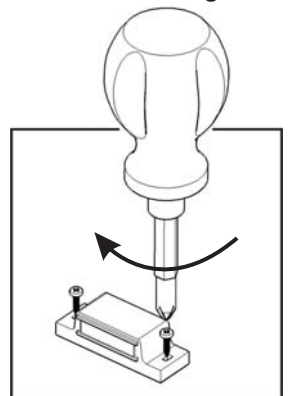
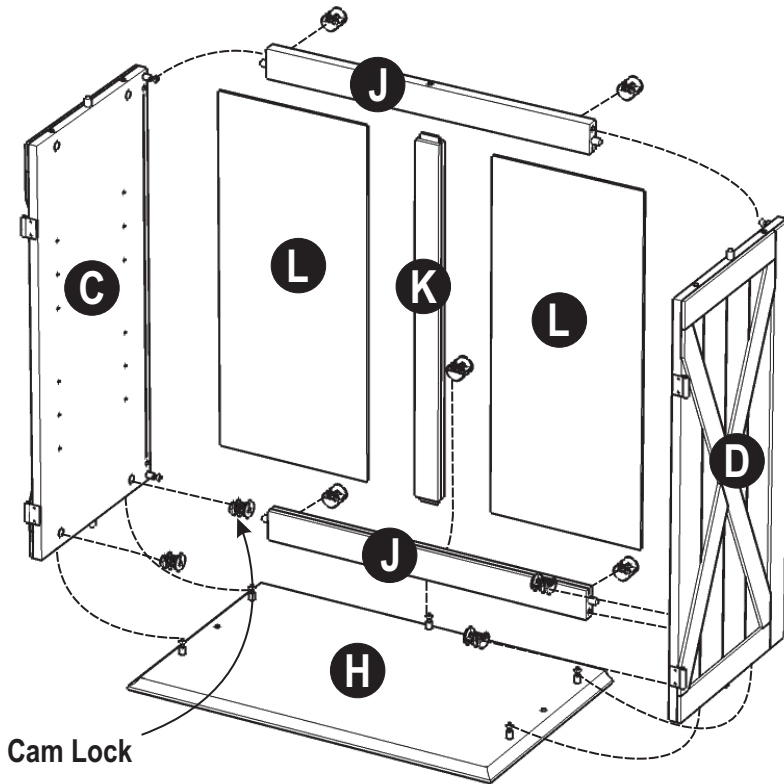


Figure 2

## STEP 3



Attach Back Piece (K) to Back Stretchers (J).

Slide Back Panels (L) into position.

Attach Side Panels (C) and (D) to unit with Cam Locks. (See Figure 3)

Attach the unit to Bottom (H) with Cam Locks.

Cam Lock

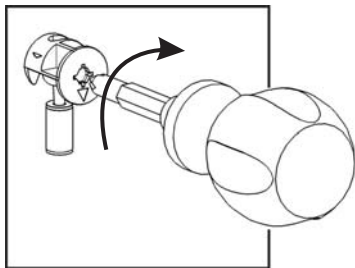


Figure 3

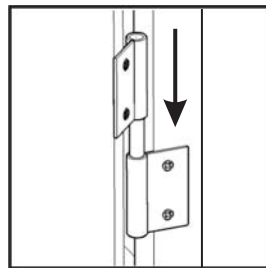


Figure 4

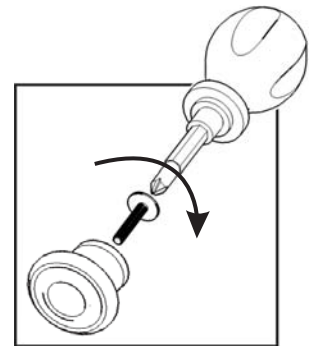


Figure 5

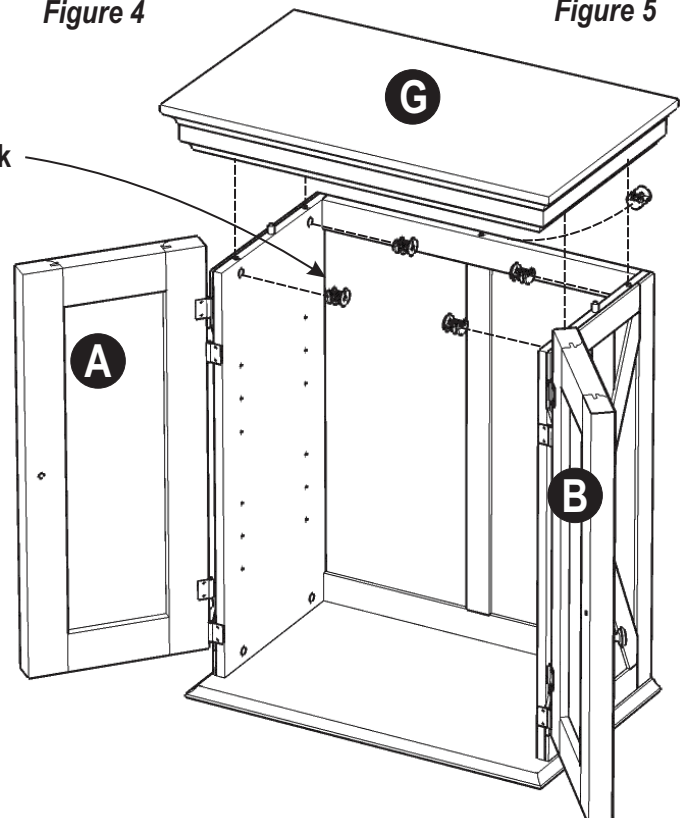
## STEP 4

Attach Doors (A) and (B) to unit by sliding the door lift hinges into the side panel lift hinges. (see Figure 4)

Attach Top (G) to unit with Cam Locks.

Assemble Knobs to Doors (A) and (B) with Machine Screws. (see Figure 5)

Cam Lock



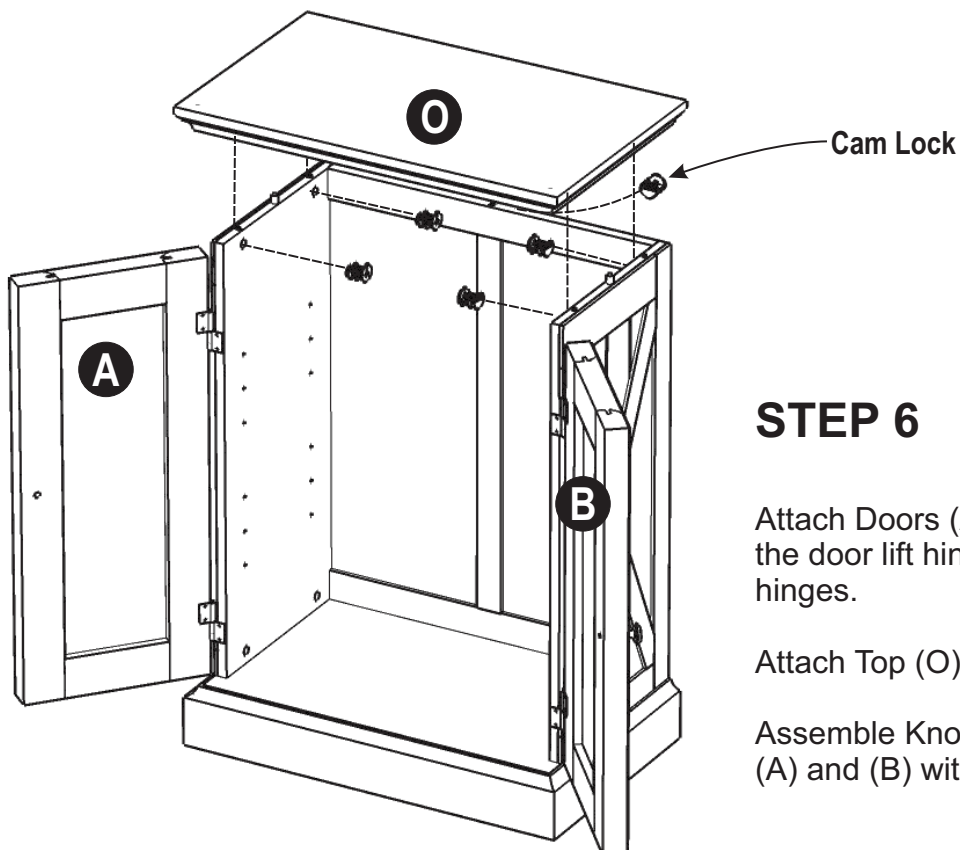
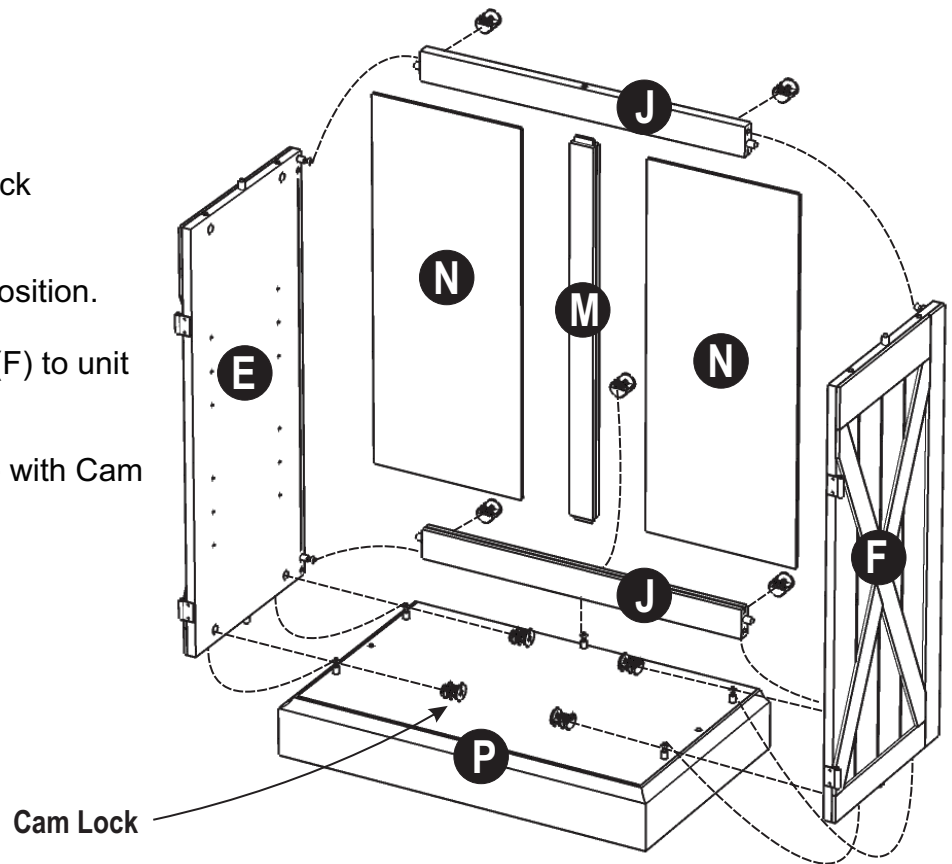
## STEP 5

Attach Back Piece (M) to Back Stretchers (J).

Slide Back Panels (N) into position.

Attach Side Panels (E) and (F) to unit with Cam Locks.

Attach the unit to Bottom (P) with Cam Locks.

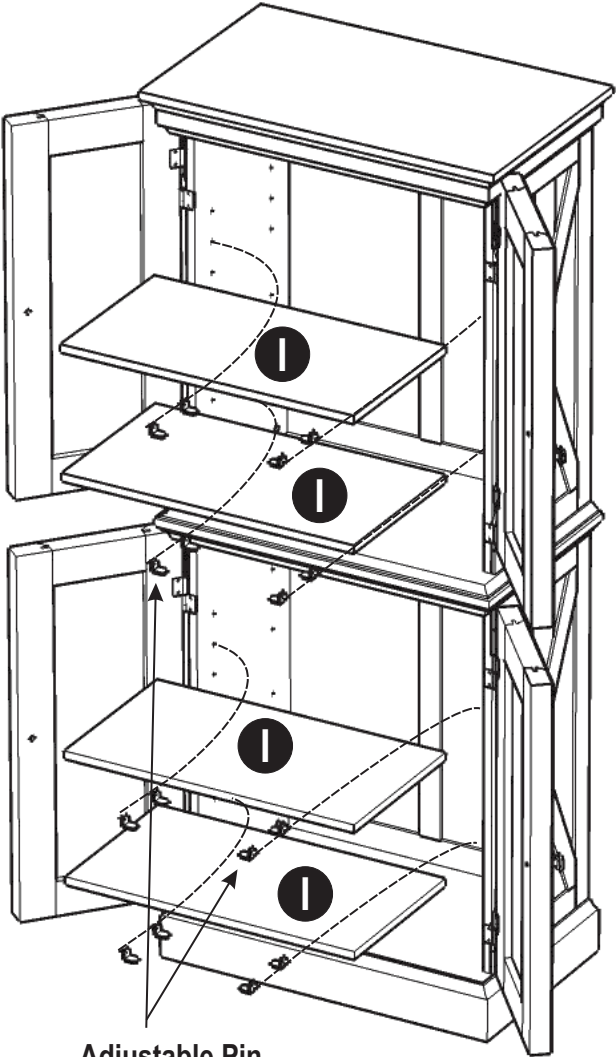


## STEP 6

Attach Doors (A) and (B) to unit by sliding the door lift hinges into the side panel lift hinges.

Attach Top (O) to unit with Cam Locks.

Assemble Knobs to Doors (A) and (B) with Machine Screws.



Adjustable Pin

## STEP 7

Place the top unit onto the base unit.

Insert the Adjustable Pins into the side panels at the desired level.

Place Shelves (I) into position.

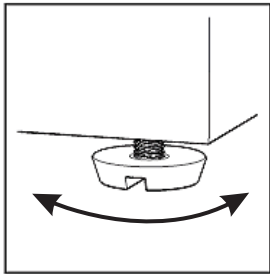


Figure 6

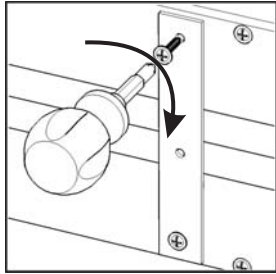


Figure 7

## STEP 8

To level the unit, adjust the adjustable levelers on the bottom of unit. (see Figure 6)

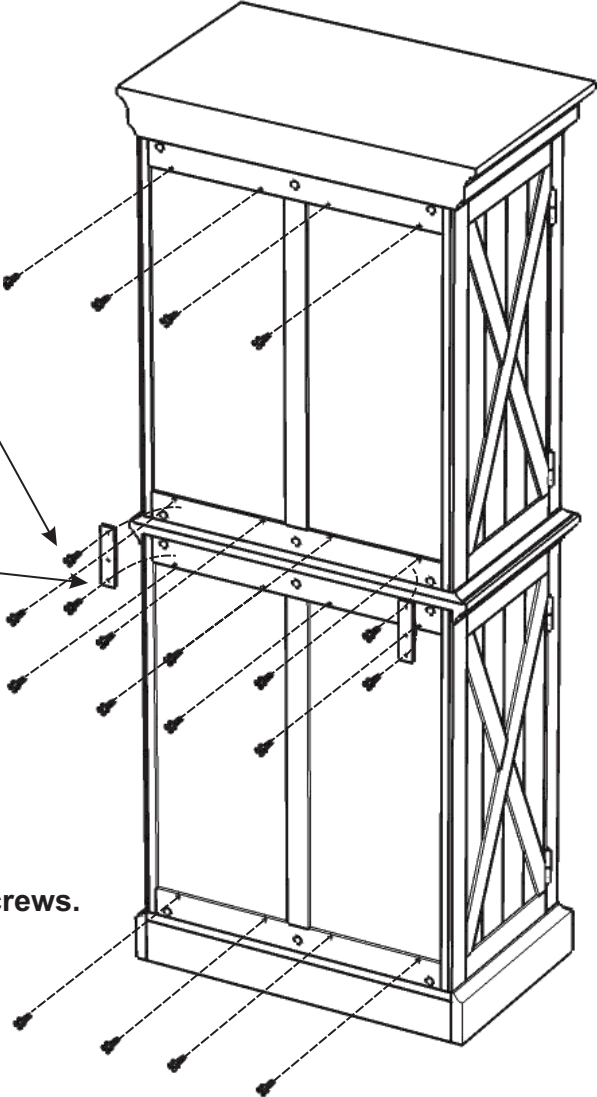
Insert Wood Screws from the back of the unit and tighten.

**Note: Unit must be level before tightening these screws.**

Attach Steel Plate Connectors with Wood Screws. (see Figure 7)

Wood Screw

Steel Plate Connector



## Attention!

To help reduce the risk of the unit tipping over, the Tipover Restraint must be installed following these instructions exactly!

Place unit at desired location.

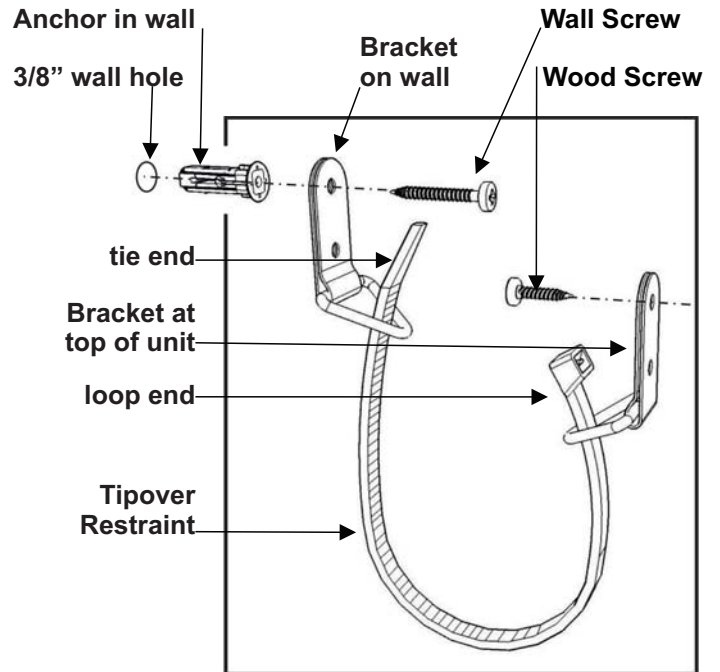
Drill a 3/8" hole in wall at the appropriate location.

Insert Anchor into the wall hole and attach Bracket with Wall Screw.

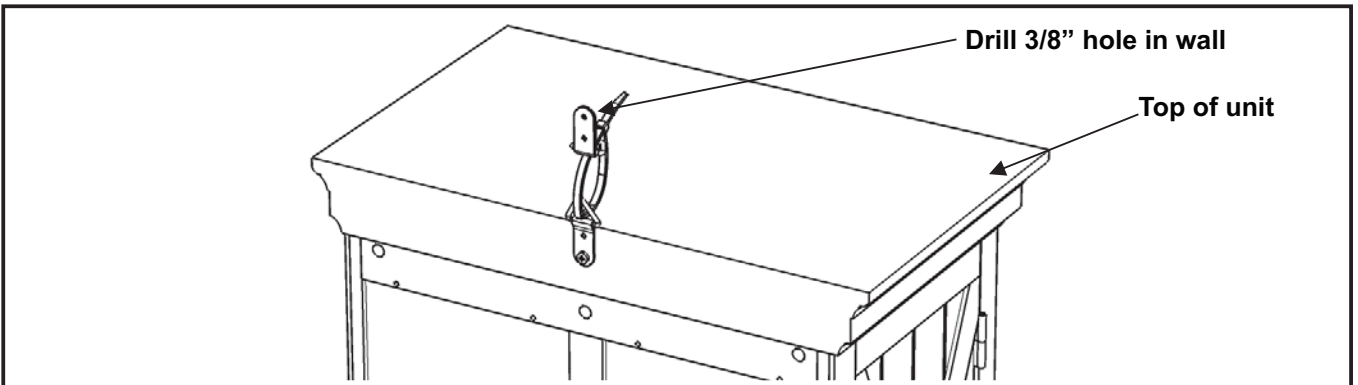
Attach Bracket at pre-drilled hole at top of unit with Wood Screw.

Use Tipover Restraint to secure Bracket on unit to Bracket on wall.  
(see Figure X)

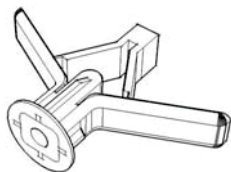
Put tie end of Tipover Restraint into loop end of Tipover Restraint and pull until tight.



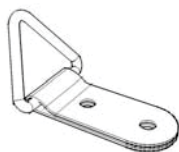
**Figure X**



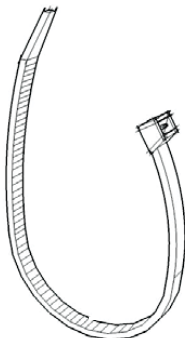
## Hardware List



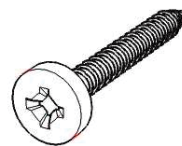
**Anchor**  
1 pc.(+1 extra)



**Bracket**  
2 pcs.(+1 extra)



**Tipover Restraint**  
1 pc.(+1 extra)



**M3.5x40  
Wall Screw**  
1 pc.(+1 extra)



**M3.5x16  
Wood Screw**  
1 pc.(+1 extra)