

WF45M5500AZ

SAMSUNG

Samsung Front-Load Washer

4.5 cu. ft. Capacity DOE



Signature Features

Steam Wash

- Uses the power of steam to remove stains without pretreatment.

VRT Plus™ Technology

- Reduces vibration 40% more than standard VRT™ for quiet washing.*

*Based on Owens Corning sounds power testing.

4.5 cu. ft. Capacity

- Fewer washes, less time in the laundry room.

Available Colors



Azure Blue (shown)



Platinum



White



VRT Plus™ Technology



4.5 cu. ft. Capacity

Features

- Steam Wash
- VRT Plus™ Technology
- 4.5 cu. ft. Capacity
- Self Clean+
- Smart Care
- Diamond Drum Design
- 1300 RPM Maximum Spin Speed
- Direct Drive Motor
- 10 Preset Wash Cycles
- 10 Options
- Internal Water Heater
- Crystal Blue Door
- Ice Blue LED Display
- 24-hrs. Delay End

Convenience

- Child Lock
- Delay End
- 5 Temperature Settings
- 4 Spin Settings
- 3 Soil Settings
- Dispenser Trays: Main Wash, Softener, Bleach

Rating



ENERGY STAR®-rated
CEE Tier 3
IMEF = 2.92
IWF = 2.90
105 kWh/yr

WF45M5500AZ

SAMSUNG

Samsung Front-Load Washer

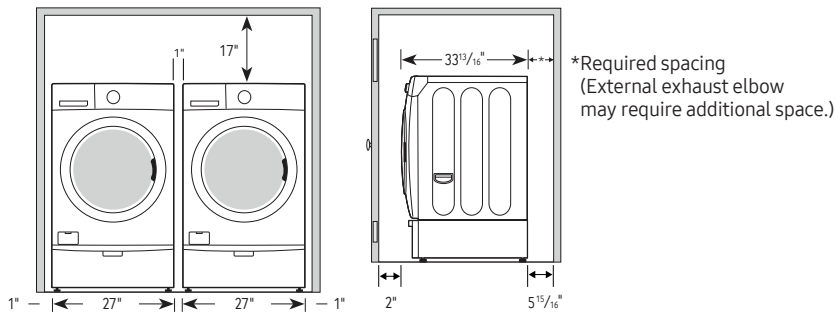
4.5 cu. ft. Capacity DOE

Installation Specifications

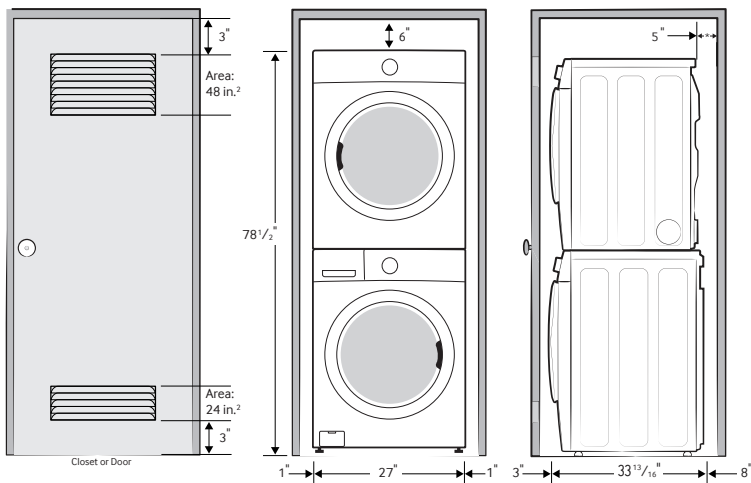
If the washer and dryer are installed together or the dryer alone, the closet front must have two unobstructed air openings for a combined minimum total area of 72-inch.² (see stacked build below). Your washer alone does not require a specific air opening.

1. Alcove or closet installation

Minimum Clearance for Closet and Alcove Installations:

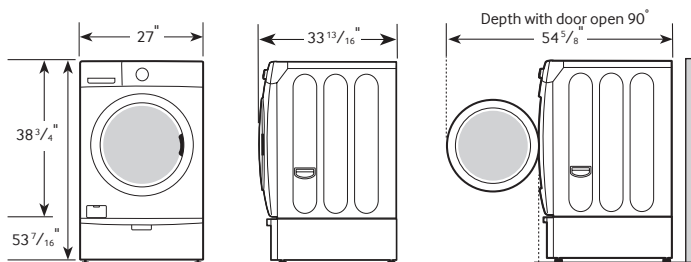


2. With stacked washer and dryer



Dimensions

Required Dimensions for Installation with Pedestal:



10 Preset Wash Cycles:

Normal, Heavy Duty, Permanent Press, Sanitize, Allergen, Bedding, Deep Steam, Delicates, Quick Wash, Rinse and Spin

10 Options:

Steam, Self Clean+, Delay End, My Cycle, Extra Rinse, Extra Spin, Sound, Spin Only, Child Lock, Smart Care

5 Temperature Settings:

Extra Hot, Hot, Warm, Cool, Cold

4 Spin Settings:

High, Medium, Low, No Spin

3 Soil Settings:

Heavy, Normal, Light

Dispenser Trays:

Main Wash, Softener, Bleach

Warranty

One (1) Year Parts and Labor
Three (3) Years Stainless Steel Drum (Part Only)
Ten (10) Years Direct Drive Motor (Part Only)

Product Dimensions & Weight (WxHxD)

Dimensions: 27" x 38³/₄" x 33¹³/₁₆"
Weight: 218.3 lbs

Shipping Dimensions & Weight (WxHxD)

Dimensions: 29³/₈" x 41⁵/₈" x 35¹/₄"
Weight: 225 lbs

Color	Model #	UPC Code
Azure Blue	WF45M5500AZ	887276201634
Platinum	WF45M5500AP	887276195353
White	WF45M5500AW	887276195360

Matching Dryer (Electric/Gas)

Azure Blue	DVE45M5500Z	887276202464
Platinum	DVE45M5500P	887276197135
White	DVE45M5500W	887276197159
Azure Blue	DVG45M5500Z	887276202341
Platinum	DVG45M5500P	887276197166
White	DVG45M5500W	887276197173