

Specifications

- 3-Hole Installation
- Push & Seal™ Pop-Up

Features

- 1.5 GPM Flow Rate
- Fixed Hub
- 3-Hole Installation
- High Arc Spout
- Mounting Hardware Included
- TiteSeal™ Deckplate
- PVD Finish
- Push & Seal™ Pop-Up
- Pforever Warranty®

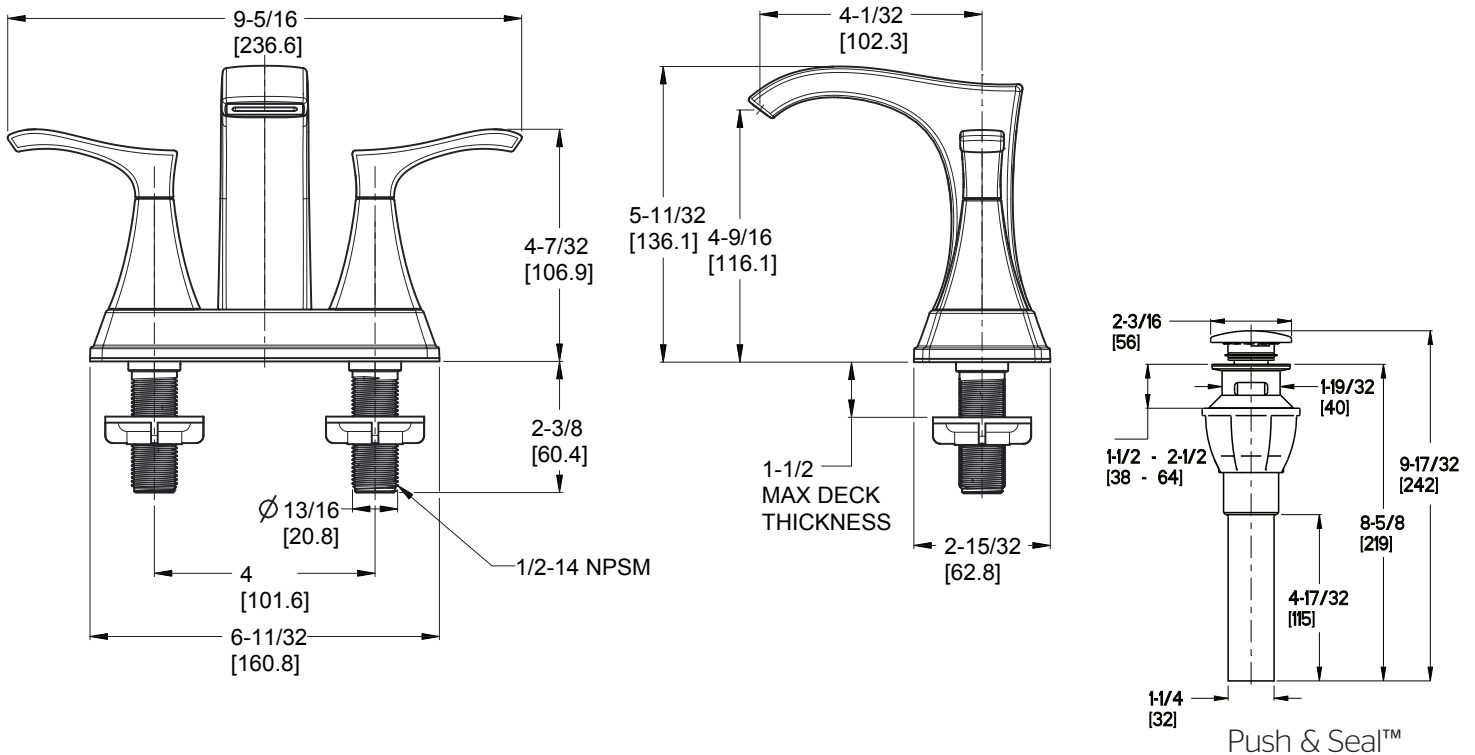
Code Compliance

Pfister products are designed and manufactured in compliance with the following standards and codes:

- IAPMO Certified
- CSA B125 Certified
- ASME A112.18.1
- NSF 61/9 Annex G (Low lead)
- Cal Green Compliant
- ADA Compliant-ANSI A117.1 (Lever handles only)
- EPA WaterSense Certification 1.5 gpm, 5.7L/Min



Dimensions



\varnothing 1 Min to \varnothing 1-1/2 Max. Deck Hole Openings