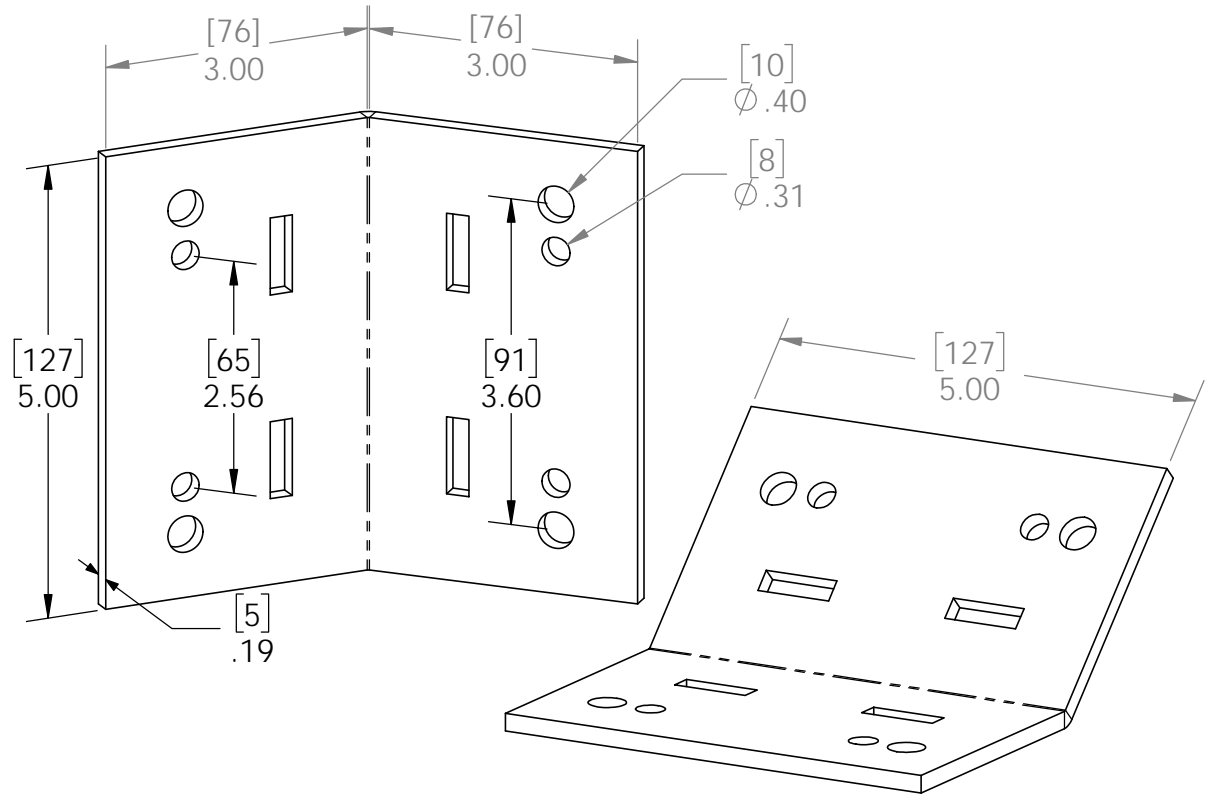
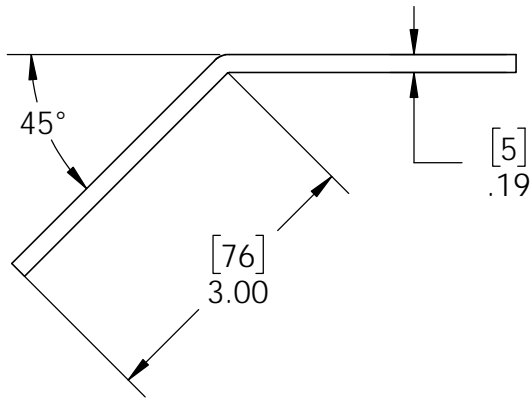


Product & Packaging Specs

Flush Inside 45 (FI-45)

Item #: 56616

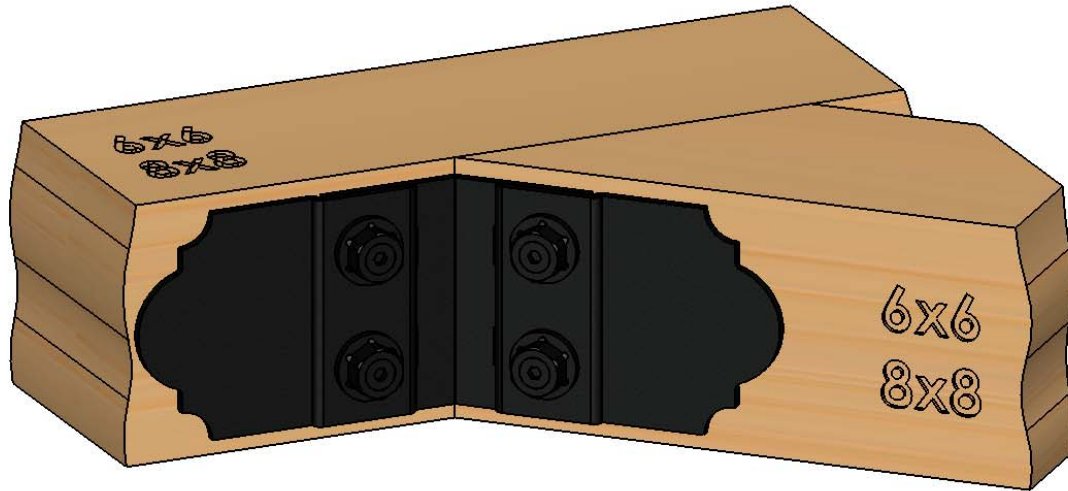


Weight: 1.53 LBS
 Scale: 1:2
 Last updated: 10/10/2016

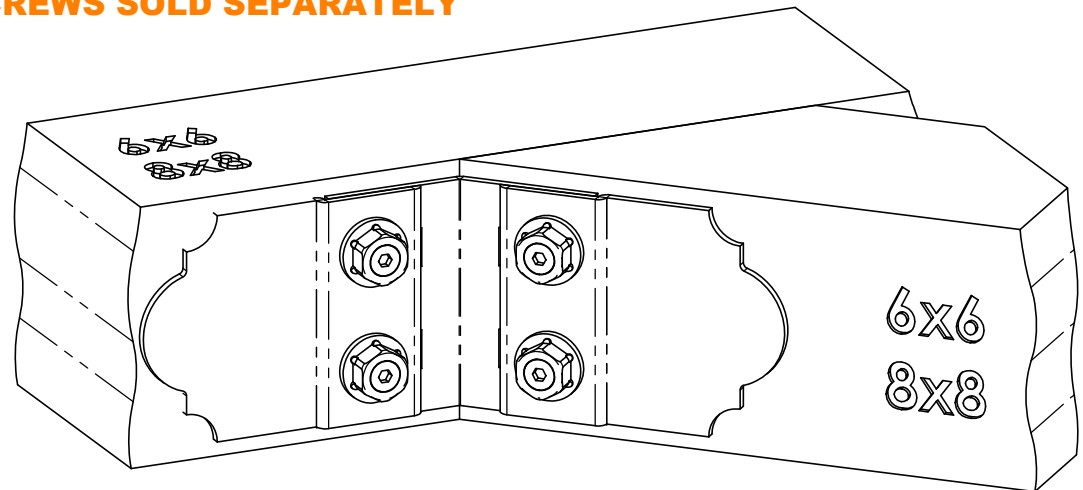
Product & Packaging Specs

Flush Inside 45 (FI-45)

Item #: Typical Installation & Basic Assembly



ACCENT PLATES, TIMBER BOLTS &/OR SCREWS SOLD SEPARATELY

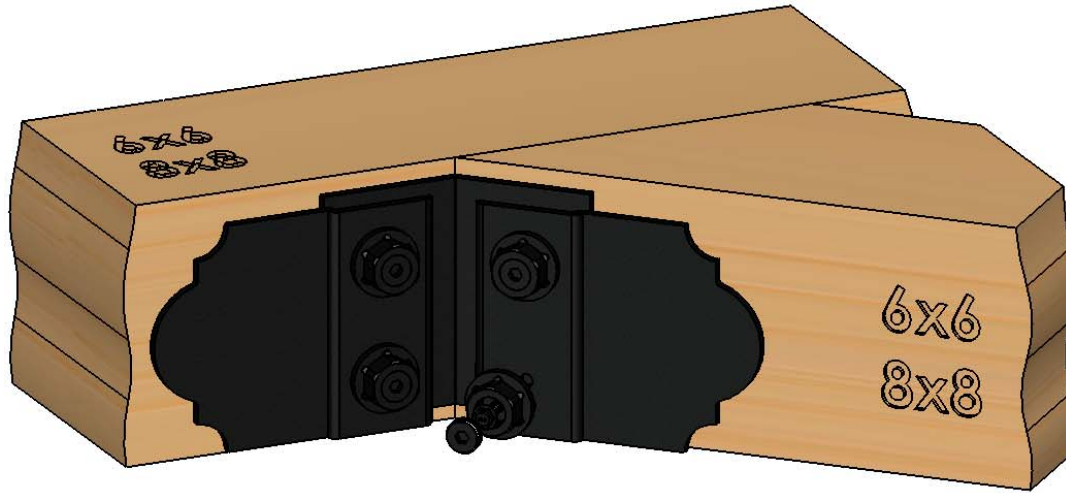


Weight: 3.30 LBS
Scale: 1:4
Last updated: 10/10/2016

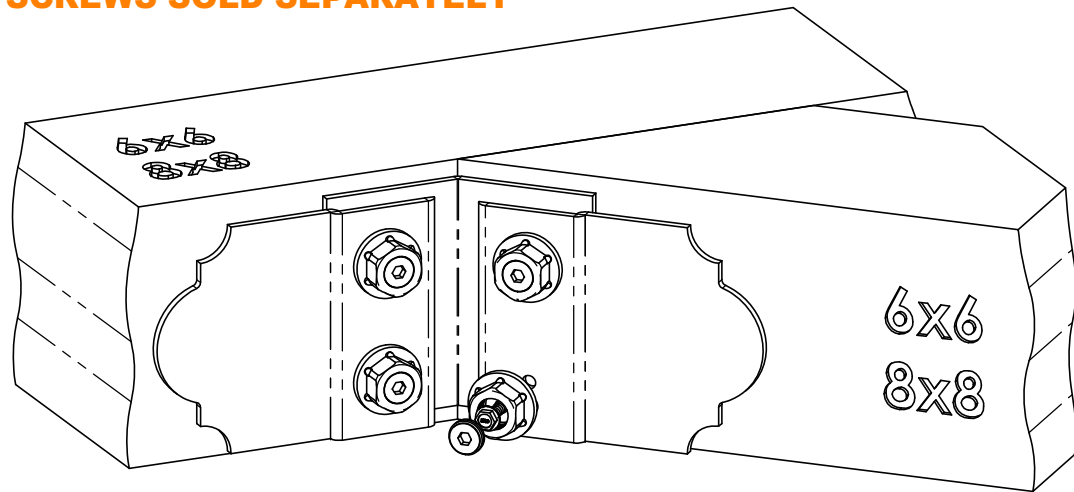
Product & Packaging Specs

Flush Inside 45 (FI-45)

Item #: Typical Installation & Basic Assembly



ACCENT PLATES, TIMBER BOLTS &/OR SCREWS SOLD SEPARATELY



Weight: 3.30 LBS
Scale: 1:4
Last updated: 10/10/2016

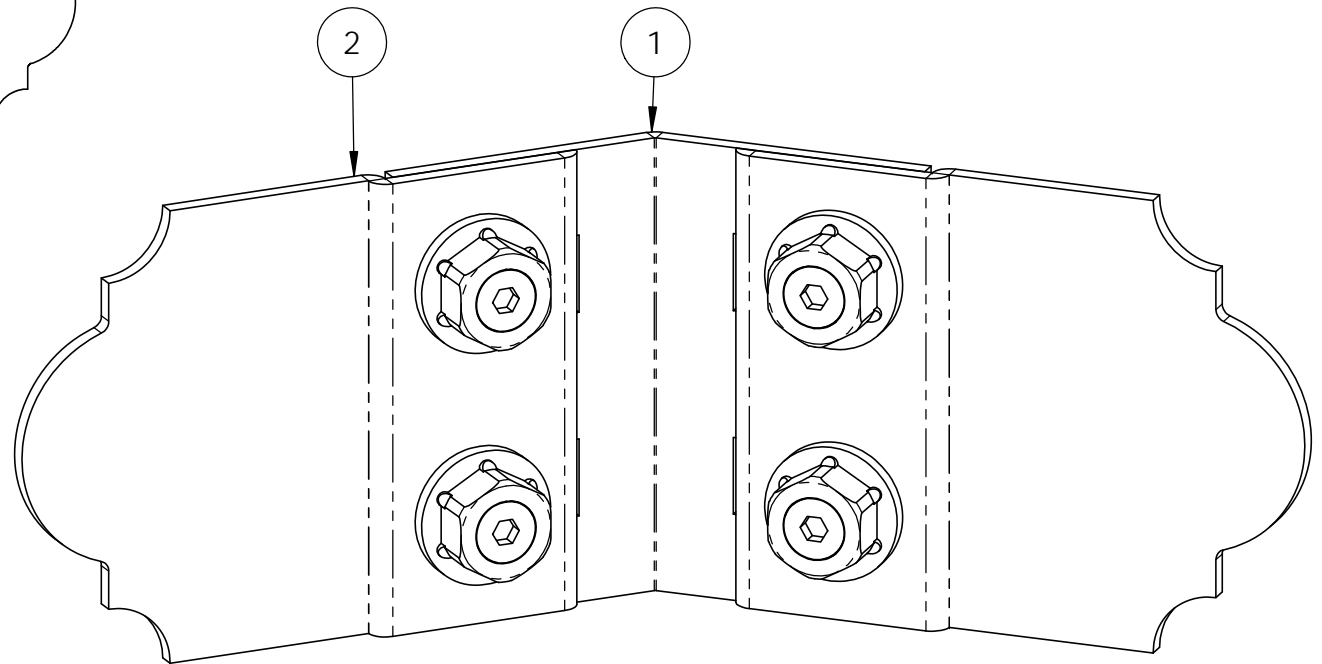
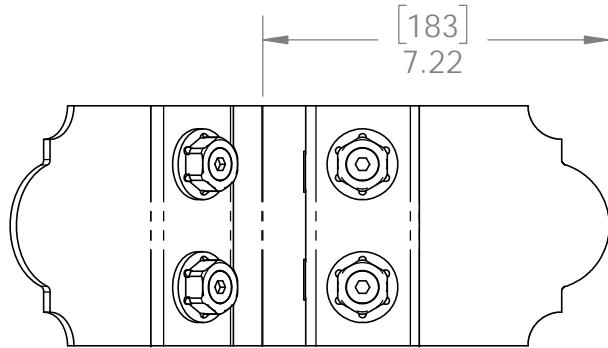
56616-10

Product & Packaging Specs

Flush Inside 45 (FI-45)

Item #: 56616

ITEM NO.	QTY.	PART NUMBER	DESCRIPTION
1	0.5	56616	Flush Inside 45 (FI-45)
2	1	56611	Truss Accent (TA-LS)



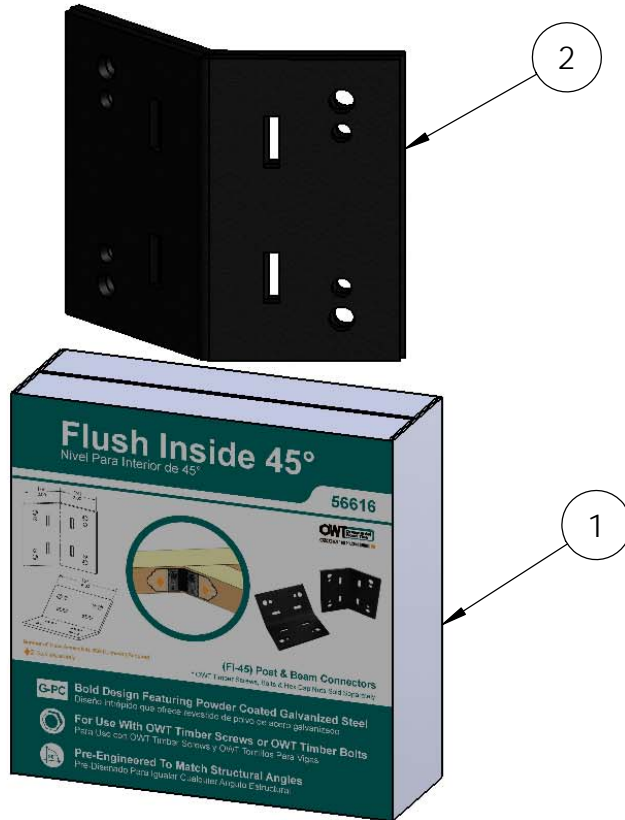
ACCENT PLATES, TIMBER BOLTS &/OR SCREWS SOLD SEPARATELY

Weight: 3.30 LBS
 Scale: 1:2
 Last updated: 10/10/2016

not sold as shown; for use in Projects only end user must choose Timber Screws or Timber Bolts

Product & Packaging Specs

56616 Packing
 Item #: 90 Flush Inside



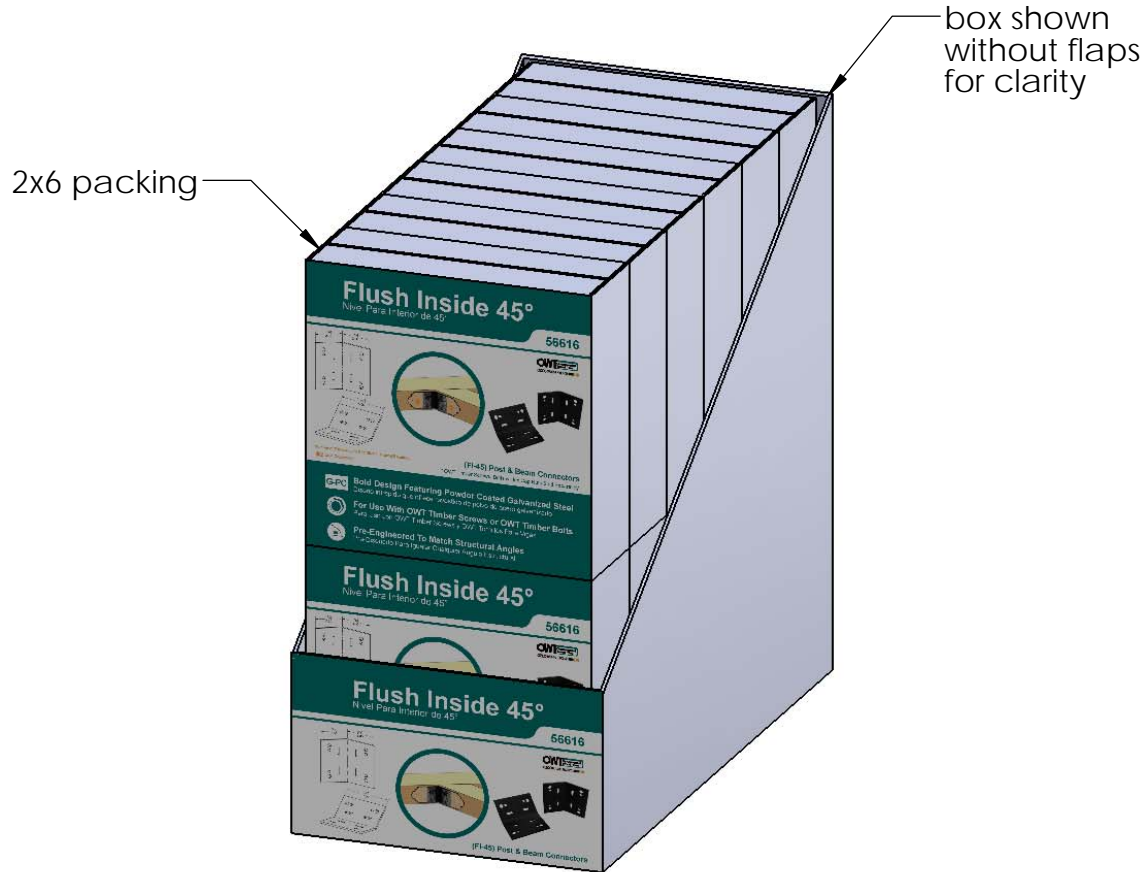
ITEM NO.	QTY.	PART NUMBER	DESCRIPTION
1	1	56616 Box	Box, Flush Inside 45 & 90
2	1	56616	Flush Inside 45 (FI-45)

items not shown:

- installation instructions
- parts wrapped in packing foam sheet

Weight: 3.09 LBS
 Scale: 1:3
 Last updated: 10/10/2016

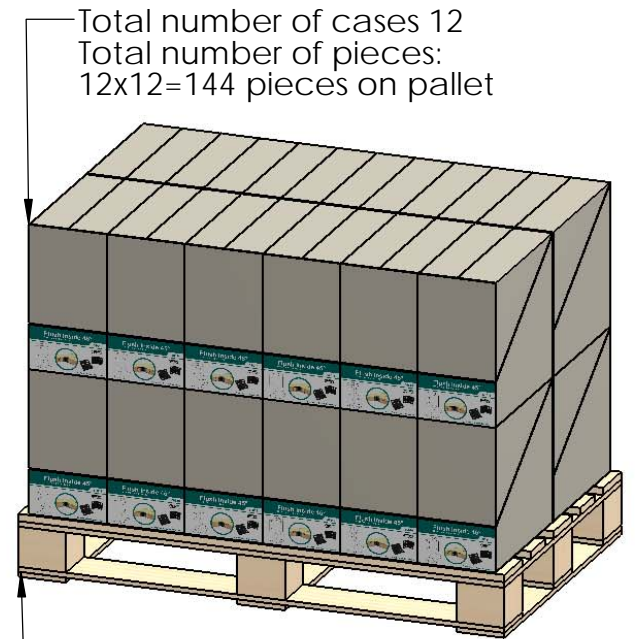
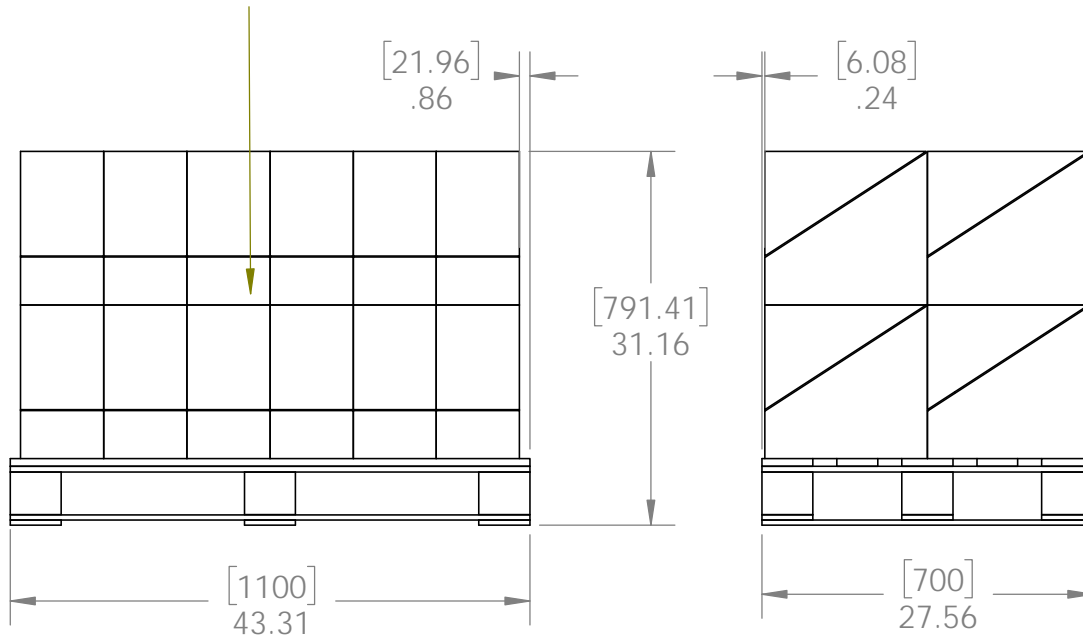
56616-10



Weight: 37 LBS
Scale: 1:4
Last updated: 10/10/2016

56616-10

Item #: **56616** | **FI45**
 Flush Inside 45°
PALLET **288 pcs**
 SKU#: **56816** 
 Weight: **1140** lbs
 LOT# _____ Priority# _____ 



Total number of cases 12
 Total number of pieces:
 $12 \times 12 = 144$ pieces on pallet

H pallet



additional pallet packing instructions

- plywood on top layer
- strap to pallet
- clear wrap around boxes

Weight: 1140 LBS
 Scale: 1:16
 Last updated: 10/10/2016