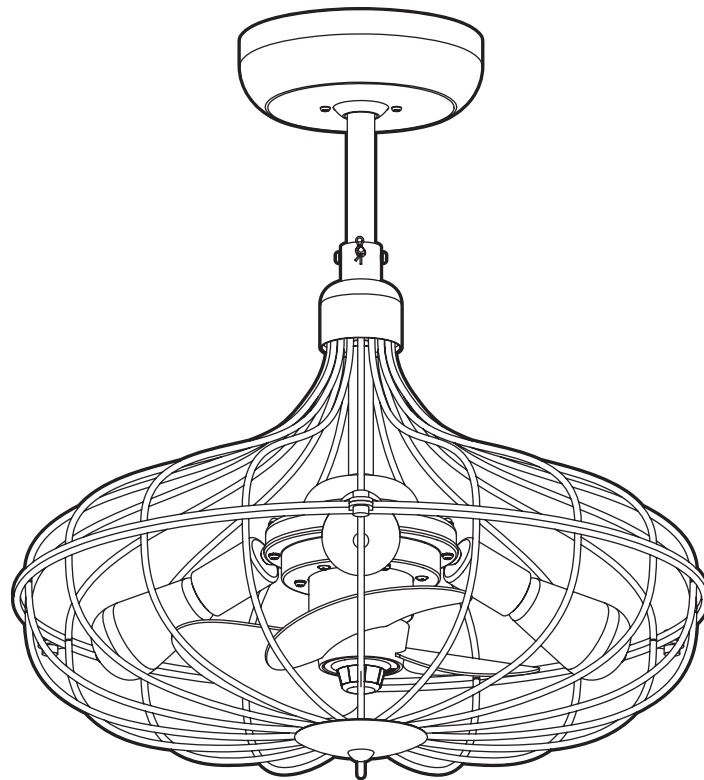


USE AND CARE GUIDE

CEILING FAN



Questions, problems, missing parts?
Contact Customer Service
8 a.m. - 5 p.m., PST, Monday - Friday

800-533-8769

Or e-mail us at
Fifthandmainsupport@troycsl.com

THANK YOU

We appreciate the trust and confidence you have placed in Fifth and Main through the purchase of this ceiling fan. We strive to continually create quality products designed to enhance your home. Visit us online to see our full line of products available for your home improvement needs. Thank you for choosing Fifth and Main!

Table of Contents

Safety Information 2
Warranty 3
Pre-Installation..... 4

Installation 7
Care and Cleaning 12
Troubleshooting 12

Safety Information

READ THESE INSTRUCTIONS BEFORE INSTALLATION

- Disconnect power at the fuse box or circuit breaker before installing or servicing the fan.
- Do not insert objects between the fan blades while the fan is operating.
- This appliance is not intended for use by children or people with disabilities without supervision.
- Do not operate the fan without the blades installed.
- All wiring and installation procedures must satisfy National Electric Codes (ANSI / NFPA 70-1999) and all local codes. The ceiling fan must be grounded to protect against electric shock. Electrical installation should be made or approved by a licensed electrician.
- If you do not have adequate electrical knowledge or experience, consult a licensed electrician.
- This fan is suitable for use with solid state speed controls.
- For supply connections, if the conductor of a fan is identified as a grounded conductor, then it should be connected to a grounded conductor power supply. If the conductor of a fan is identified as an ungrounded conductor, then it should be connected to an ungrounded conductor power supply. If the conductor of a fan is identified for equipment grounding, then it should be connected to an equipment-grounding conductor.



WARNING: To reduce the risk of electric shock, this fan must be installed with a general use, isolating wall control/switch.



CAUTION: This product is designed for use only with the parts supplied and/or accessories designated specifically for use with this product. Using parts and or accessories not designated for use with this product could result in personal injury or property damage.

NOTICE: Do not operate this fan with a variable (Rheostat) wall controller or dimmer switch. Doing so could result in damage to the fan's control unit.

NOTICE: This device complies with Part 15 of the FCC Rules. Operation is subject to the following two conditions: (1) This device may not cause harmful interference, and (2) this device must accept any interference received, including interference that may cause undesired operation. Please note that changes or modifications not expressly approved by the party responsible for compliance could void the user's authority to operate the equipment.

NOTICE: This equipment has been tested and found to comply with the limits for Class B digital device, pursuant to part 15 of the FCC Rules. These limits are designed to provide reasonable protection against harmful interference in a residential installation. This equipment generates, uses and can radiate radio frequency energy and, if not installed and used in accordance with the instructions, may cause harmful interference to radio or television reception, which can be determined by turning the equipment off and on, the user is encouraged to try to correct the interference by one or more of the following measures:

- Reorient or relocate the receiving antenna.
- Increase the separation between the equipment and the receiver.
- Connect the equipment into an outlet on a circuit different from that to which the receiver is connected.
- Consult the dealer or an experienced radio/TV technician for help.

Warranty

THREE YEAR WARRANTY

If your fan motor or any other part fails at any time within three years of the original purchase, due to a defect in materials or workmanship, we will repair or replace, at our option, the defective part, free of charge.

Because of varying climate conditions, this warranty does not cover changes in the finish, including rusting, pitting, corroding, tarnishing, or peeling.

This warranty is void and does not apply to damage from improper installation, neglect, accident, misuse, exposure to extremes of heat or humidity, or as a result of any modification to the original product.

All costs of removal and reinstallation of the fan are the sole responsibility of the owner of the fan and not the store that sold the fan or Fifth and Main.

Fifth and Main reserves the right to modify or discontinue any product at any time and may substitute any part under this warranty.

Under no circumstances may a fan be returned without prior authorization from Fifth and Main. The receipt of purchase must accompany authorized returns and must be sent freight prepaid to Fifth and Main. The fan to be returned must be properly packed to avoid damage in transit; Fifth and Main will not be responsible for any damage resulting from improper packaging.

It is understood that any repair or replacement is the exclusive remedy available from Fifth and Main. There is no other expressed or implied warranty. Fifth and Main hereby disclaims any and all implied warranties, including, but not limited to those of merchantability and fitness for a particular purpose to the extent permitted by law. Some states do not allow limitations on implied warranties. Fifth and Main will not be liable for incidental, consequential, or special damages arising out of or in conjunction with product use or performance, except as may otherwise be accorded by law. This warranty gives you special legal rights and you may also have other rights that vary from state to state.

A certain amount of wobble is normal and should not be considered a problem or a defect.

Contact the Customer Service Team at 800-533-8769 or e-mail us at Fifthandmainsupport@troycs1.com.

Pre-Installation

TOOLS REQUIRED



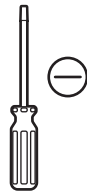
Phillips screwdriver



Wire stripper



Step ladder



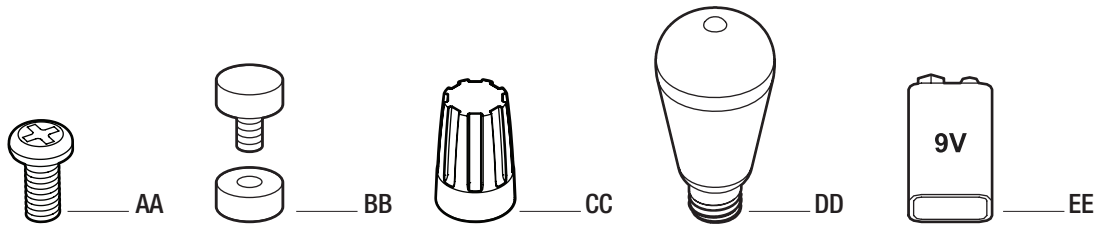
1/4 in. Flat blade screwdriver



Wire cutter

HARDWARE INCLUDED

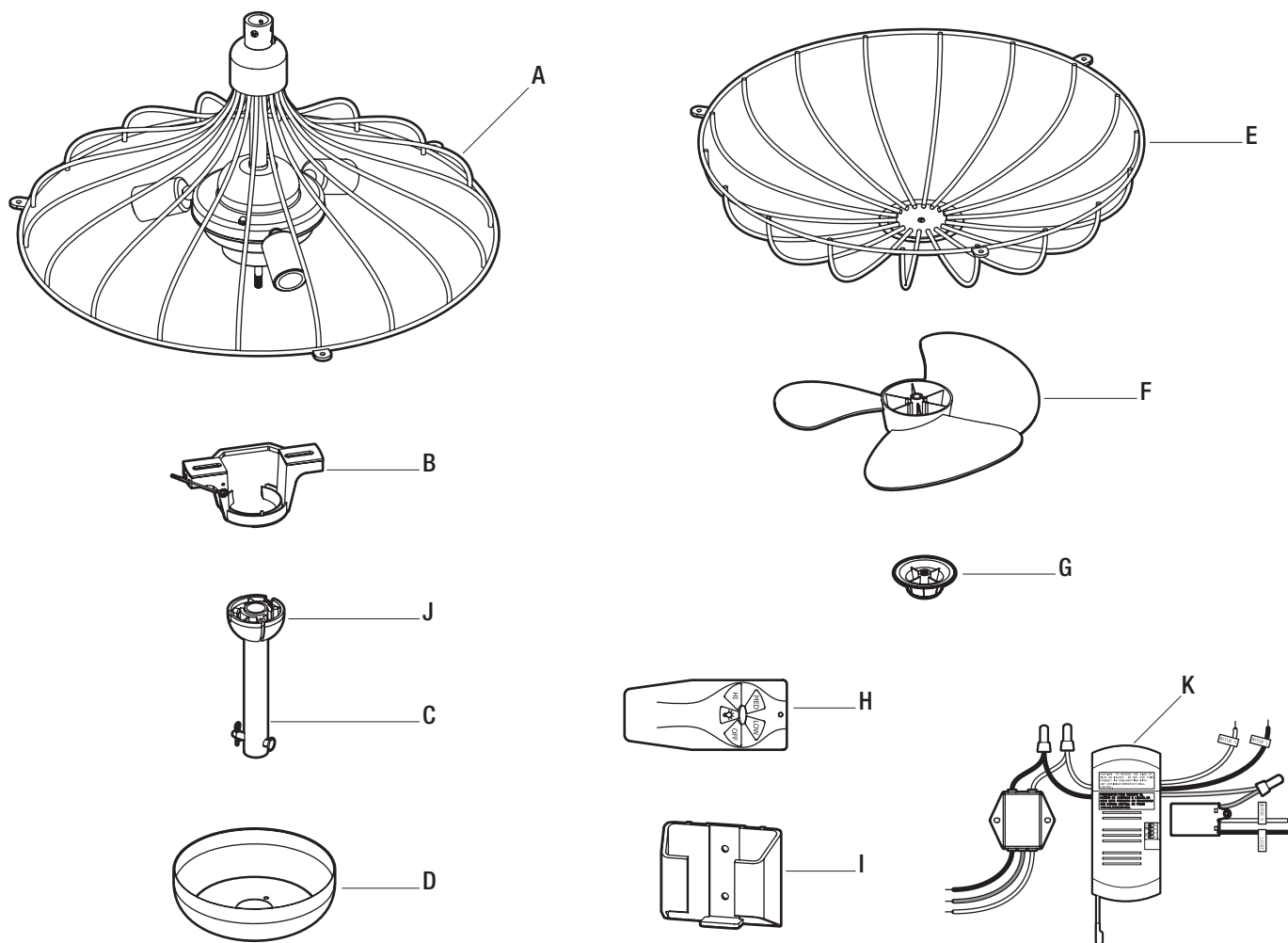
 **NOTE:** Hardware not shown to actual size.



Part	Description	Quantity
AA	Screw	2
BB	Cylindrical nut	3
CC	Wire connectors	6
DD	Bulb	3
EE	9V Battery	1

Pre-Installation (continued)

PACKAGE CONTENTS



Part	Description	Quantity
A	Fan motor assembly	1
B	Hanger bracket	1
C	Downrod	1
D	Canopy	1
E	Metal frame	1
F	Blade assembly	1
G	Plastic cover	1
H	Remote control	1
I	Remote control wall plate	1
J	Hanger ball	1
K	Receiver	1

Pre-Installation (continued)

ENERGY EFFICIENT USE OF CEILING FANS

Turn off the fan when not in the room. Ceiling fans do not cool rooms. Turning off the ceiling fan will save energy.

ELECTRICAL AND STRUCTURAL REQUIREMENTS



WARNING: To reduce the risk of fire, electric shock, or personal injury, mount the fan to an outlet box marked "Acceptable for fan support of 35 lbs. or less" and use the screws provided with the outlet box. An outlet box commonly used for the support of lighting fixtures may not be acceptable for fan support and may need to be replaced. If in doubt, consult a qualified electrician.

The ceiling fan requires a grounded electrical supply line of 120 VAC, 60 Hz, 15 A circuit.

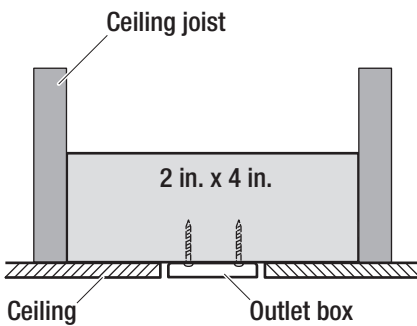
Mount the ceiling fan in the middle of the room, at least 7 ft. above the floor, and 18 in. from the walls. If ceiling height allows, install the fan 8 ft. above the floor for optimal airflow.

If your ceiling fan does not have an existing UL-listed outlet box, then install one using the following directions.

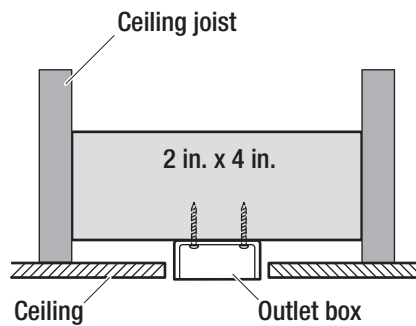
- Disconnect the power by removing the fuses or turning off the circuit breakers.
- Secure the outlet box directly to the building structure. Use the appropriate fasteners and materials. The outlet box and its bracing must be able to fully support the weight of the moving fan (at least 35 lbs.). Do not use a plastic outlet box.

The following options may be used for mounting the outlet box.

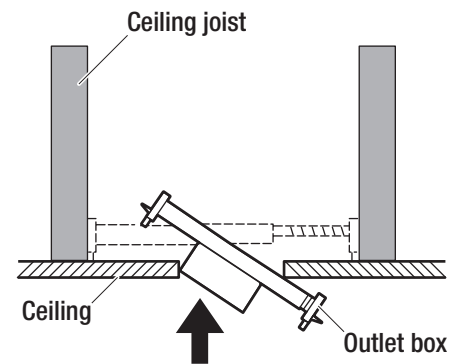
- **Low-profile:** A 1/2 in. deep pancake box is meant to be screwed to a joist or block. It is used if only one cable is coming into the outlet box. It is also available in a saddle-mount configuration.
- **Deep-profile:** A 2-1/4 in. deep box can be attached to blocking between joists and is roomy enough to handle more than one cable.
- **Hanger bar:** A hanger bar is paired with a 2-1/4 in. deep box and is meant to be used where there is no joist or block.



LOW-PROFILE



DEEP-PROFILE



HANGER BAR

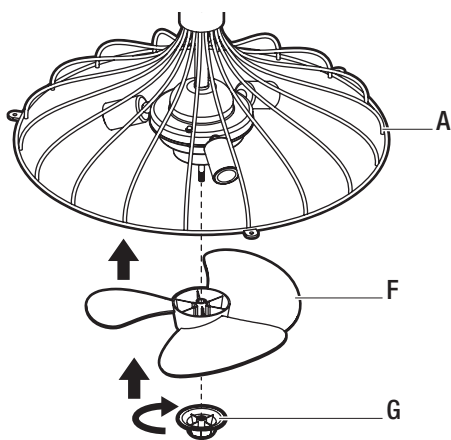
Installation

1 Attaching the fan blade



CAUTION: To reduce the risk of personal injury, do not bend the blade when installing.

- Align the U-shaped slot at the center of the blade assembly (F) with the motor pin on the motor assembly (A) and slide the blade assembly (F) onto the motor pin.
- Secure the blade assembly (F) to the motor pin using the plastic cover (G). Rotate the plastic cover (G) counterclockwise to tighten.

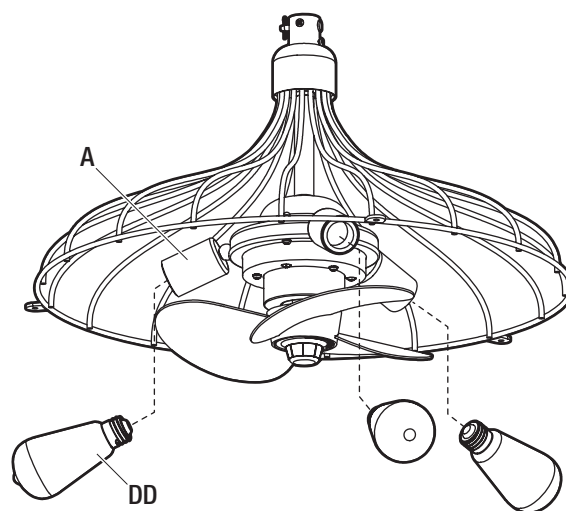


2 Installing the bulbs

- Screw the bulbs (DD) into the bulb sockets on the motor assembly (A).

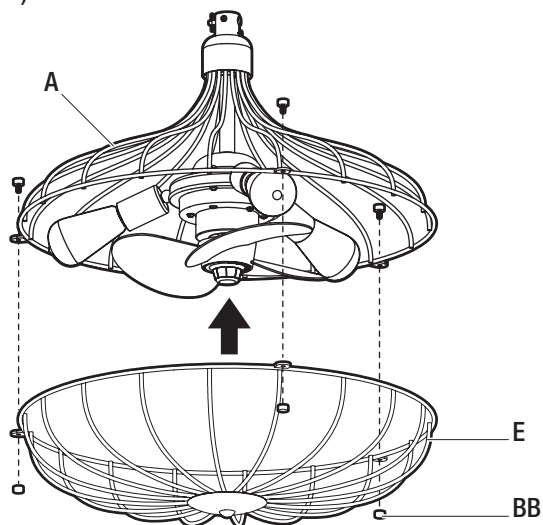


NOTE: This product is equipped with a maximum 190W current limiter. The total lamp wattage cannot exceed 190W or the lamp will not light.



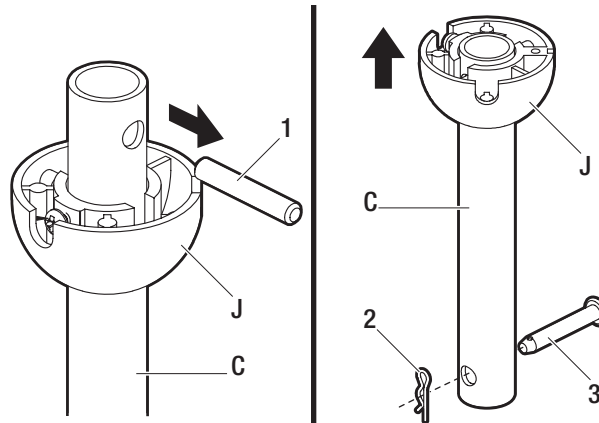
3 Attaching the metal frame

- Align the mounting holes on the lower metal frame (E) with the mounting holes on the upper metal frame on the motor assembly (A).
- Secure the metal frames together using the cylindrical nuts (BB).



4 Preparing the downrod

- Loosen the set screw on the hanger ball (J) until the hanger ball (J) falls freely down the downrod (C).
- Remove the pin (1) and slide the hanger ball (J) off the downrod (C). Retain the pin (1) and hanger ball (J) for reassembly.
- Remove the hairpin clip (2) and clevis pin (3) from the bottom of the downrod (C). Retain the hairpin clip (2) and clevis pin (3) for reassembly.



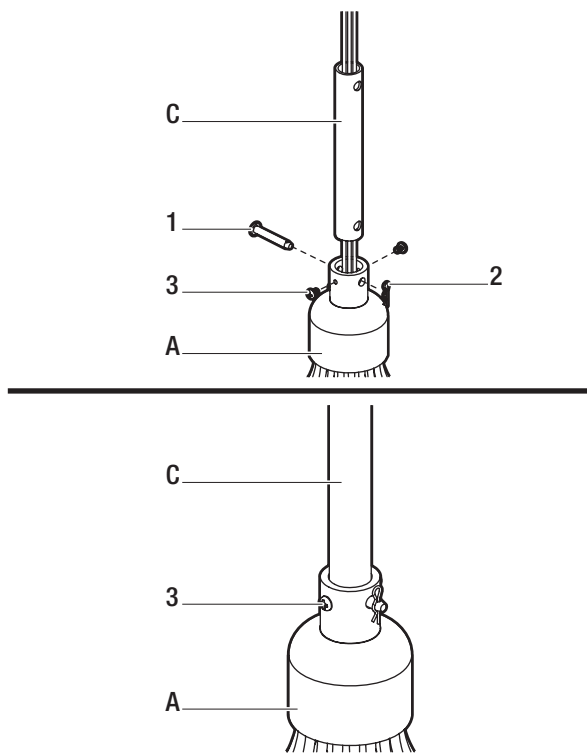
Installation (continued)

5 Attaching the downrod to the fan motor assembly

- Loosen the two set screws and locking nuts (3) in the downrod support portion of the motor assembly (A).
- Route the wiring through the downrod (C).
- Align the holes in the downrod (C) with the holes in the downrod support and install the clevis pin (1). Secure the clevis pin (1) with the hairpin clip (2).
- Tighten the two set screws and locking nuts (3) in the downrod support on the motor assembly (A).

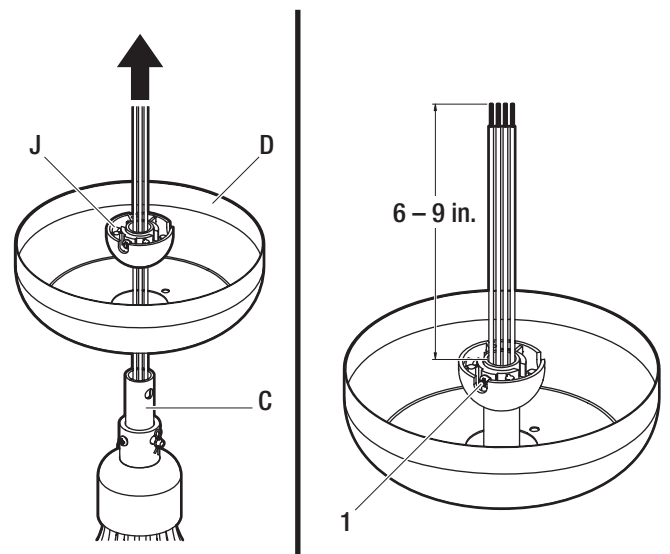


WARNING: Verify that the clevis pin is properly installed and the set screws and locking nuts are securely tightened. Failure to do so could result in the fan falling.



6 Attaching the canopy and hanger ball

- Route the wiring through the canopy (D) and slide the canopy (D) over the downrod (C).
- Route the wiring through the hanger ball (J) and slide the hanger ball (J) onto the downrod (C).
- Insert the previously removed pin through the two holes in the downrod (C). Slide the hanger ball (J) up the downrod (C), making sure the pin is captured in the groove on the top of the hanger ball (J).
- Firmly tighten the set screw (1) on the hanger ball (J).
- Cut the excess wiring, leaving 6 in. to 9 in. from the top of the hanger ball. Strip 1/2 in. of insulation from the ends of the wires.



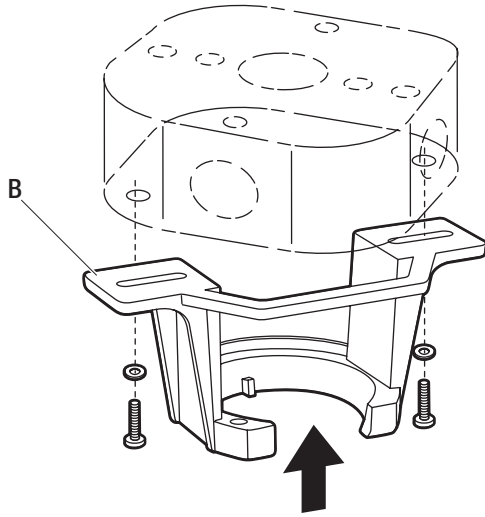
Installation (continued)

7 Installing the hanger bracket



WARNING: Turn off the electricity by removing the fuse or fuses or turning off the circuit breaker. Failure to do so could cause fire or electric shock.

- Secure the hanger bracket (B) to the outlet box using the outlet box screws provided with the outlet box.



8 Hanging the fan

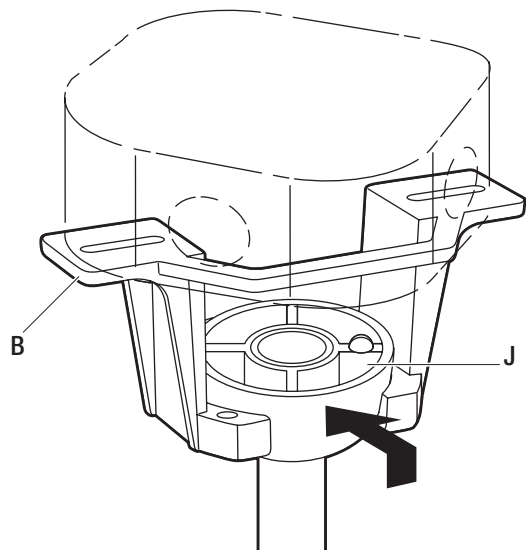


WARNING: Failure to seat the tab on the hanger bracket in the groove on the hanger ball could cause damage to electrical wires and possible electric shock or fire hazard.



WARNING: Do not pinch the wires between the hanger ball and the hanger bracket.

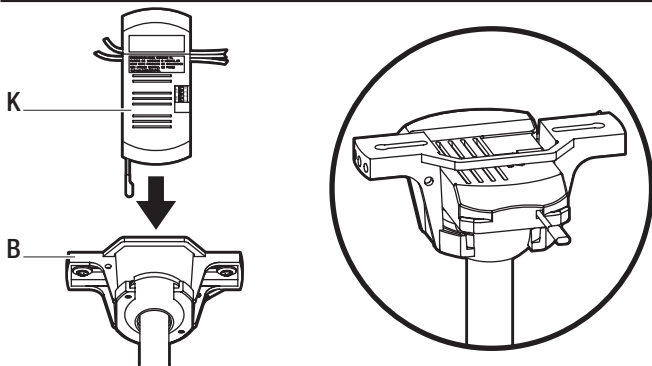
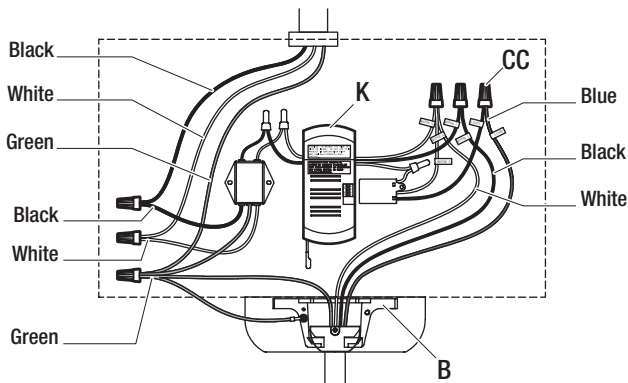
- Carefully lift the fan and seat the hanger ball (J) in the hanger bracket (B). Be sure to align the groove in the hanger ball (J) with the tab on the hanger bracket (B).



Installation (continued)

9 Connecting the wiring

- Connect the green grounding wires from the filter, fan motor assembly, and hanging bracket to the supply grounding wire (green or bare) using a wire connector (CC).
- Connect the white wires from the fan motor assembly, controller, and current limiter using a wire connector (CC).
- Connect the black wire from the fan motor assembly to the black wire from the receiver (K) using a wire connector (CC).
- Connect the blue wire from the fan motor assembly to the black wire from the current limiter using a wire connector (CC).
- Connect the white wire from the filter to the white supply wire using a wire connector (CC).
- Connect the black wire from the filter to the black supply wire using a wire connector (CC).
- Carefully push the leads into the outlet box, with white and green wires on one side and black wires on the other.
- Insert the receiver (K) into the middle of the hanger bracket (B).

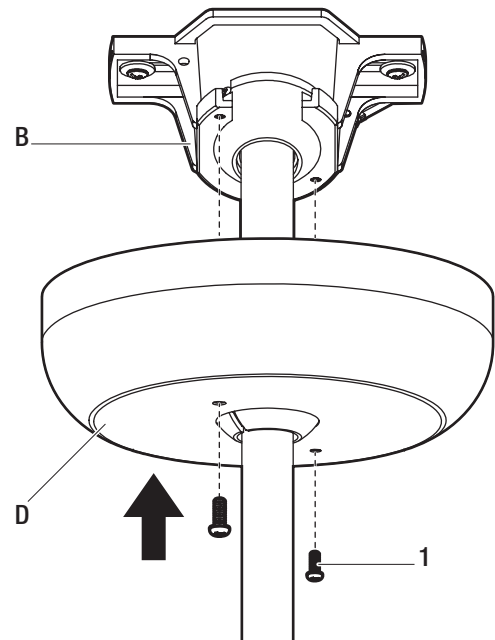


10 Installing the canopy



WARNING: Ensure that the electrical wires are completely inside the canopy and not pinched between the canopy and the ceiling. Failure to do so could result in electric shock or fire.

- Remove the two screws (1) from the bottom of the hanger bracket (B).
- Align the mounting holes on the canopy (D) with the mounting holes on the hanger bracket (B). Secure the canopy (D) to the hanger bracket (B) using the previously removed screws (1).



Installation (continued)

11 Preparing the remote control

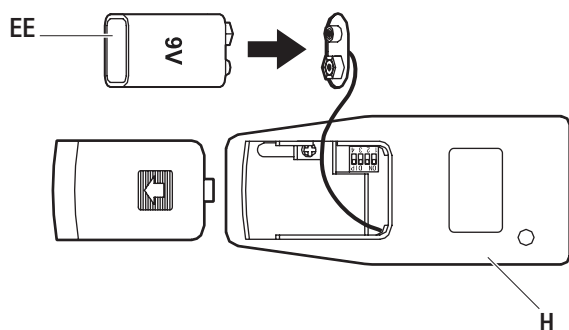


IMPORTANT: Do not use a variable wall controller or dimmer switch to control the fan.



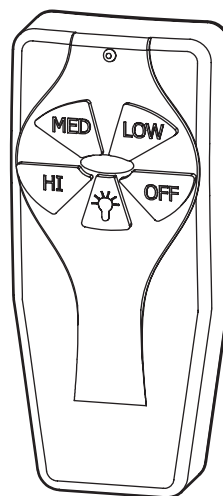
NOTE: The receiver features an automatic learning function. There are no frequency switches on the receiver. The receiver will automatically scan the frequency from the remote if frequency changes are made. The frequency settings should only be changed in the case of interference or if multiple ceiling fans with the same type of controller are installed in the same structure.

- With the fan power off, install the 9 V battery (EE) in the remote control (H).
- Set the code on the dip switches. Make sure the code on the remote control (H) is the same as the code on the receiver (K).



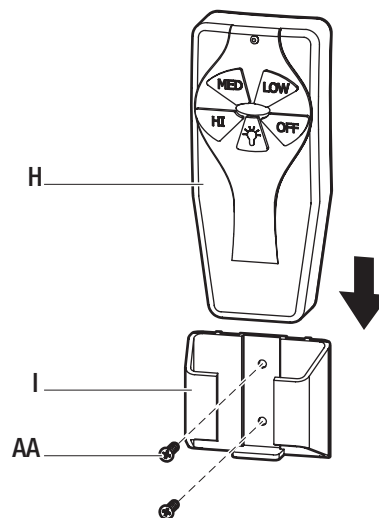
12 Using the remote control

- Use the HI, MED, LOW, and OFF buttons to control the fan speed.
- Use the Light button to turn the light on and off.



13 Installing the remote control wall plate

- Attach the wall plate (I) using the two screws (AA).



Care and Cleaning

- To clean the fan, wipe with a soft, dry cloth.
- Do not use cleaners with harsh abrasives or chemicals.

Troubleshooting

Problem	Suggested Remedy
The fan will not start.	<ul style="list-style-type: none"><input type="checkbox"/> Check the main and branch circuit fuses or circuit breakers.<input type="checkbox"/> Check the line wire connections to the fan and the switch wire connections in the switch housings.<input type="checkbox"/> Replace the battery in the remote control.
The fan is noisy.	<ul style="list-style-type: none"><input type="checkbox"/> Make sure the blade assembly is connected to the motor.<input type="checkbox"/> Verify that the screws in the motor housing are snug (do not overtighten).<input type="checkbox"/> Verify that the wire connectors are not rattling against each other.<input type="checkbox"/> Avoid using solid-state variable speed controls.
The fan wobbles.	<ul style="list-style-type: none"><input type="checkbox"/> Verify that the screws in the downrod/hanger ball assembly are tight.<input type="checkbox"/> Verify that the blade assembly is installed correctly and that the plastic cover is tight.<input type="checkbox"/> Verify that the hanger bracket and outlet box are properly secured.
There is not enough air movement.	<ul style="list-style-type: none"><input type="checkbox"/> Consider using a longer downrod, if possible (not included).<input type="checkbox"/> Replace the blade assembly.

Fifth and Main

LIGHTING

Questions, problems, missing parts?
Contact Customer Service 8 a.m. - 5 p.m., PST, Monday - Friday

800-533-8769

Or e-mail us at
Fifthandmainsupport@troycsl.com

Retain this manual for future use.