



Lumsden Outdoor LED Wall Lantern NTSW7300L30BLPC (1001 376 092) USA

Features

This Outdoor LED Wall Sconce produces 420 lumens from only 5.5 watts of electrical power. It includes a photocell for dusk-to-dawn operation. Mounts to a standard electrical box. The LEDs are powered by a Class II Low-voltage LED driver.

Construction

The wall plate, arm and diffuser housing are all made from die-cast aluminum with a durable powder coat. Power supply connections must be made in junction box (by others).

Finish

Black painted finish.

Diffuser

Clear water glass diffuser.

Electrical

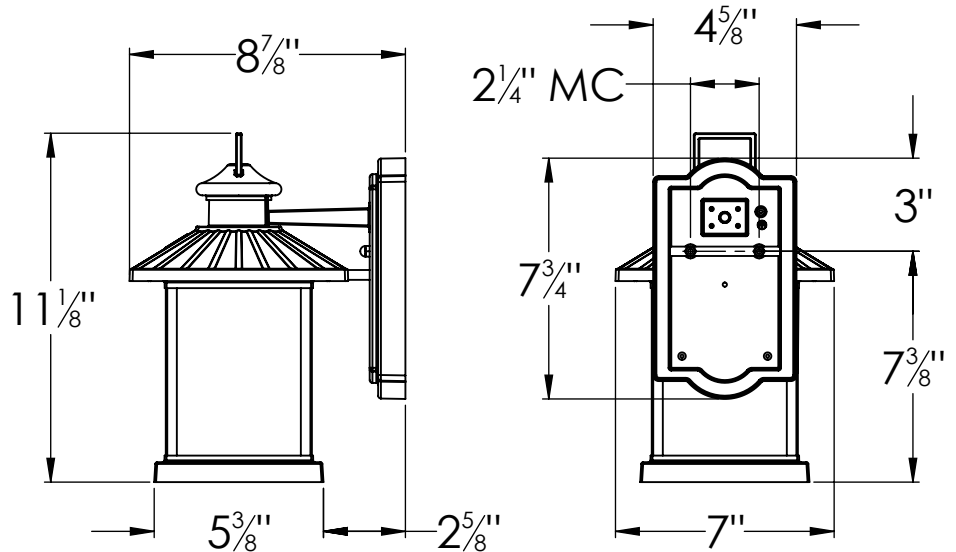
This unit is direct wired with a single 350mA low voltage electronic LED driver. The constant current LED driver is rated for 120 VAC/60 Hz. Operating range -40° C to +40°C.

Lamping

Fixture uses a 5.5 watt module producting 420 lumens, 3000K (CCT). Rated for 35,000 hours.

Certification

cETLus listed for wet locations.
ENERGY STAR® qualified



Model No.	Finish	Lamps		Dimensions		
		Qty	Type	H	W	D
120V						
NTSW7300L30BLPC	Black	1	LED Array	11-1/8"	7"	8-7/8"