

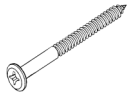




ASSEMBLY INSTRUCTIONS POTTING BENCH

REVIEW ALL STEPS BEFORE STARTING ASSEMBLY

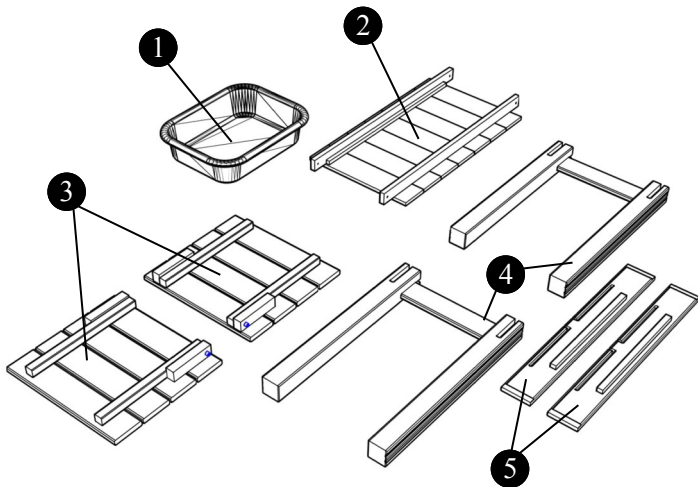
PB

HARDWARE LIST

		Quantity
A	 4" Screw	(8)
B	 2" Screw	(4)
C	 Star bit (for 4" screw)	

PARTS LIST

- 1** Tub **2** Bottom Shelf **3** Sliding Tops
4 Legs **5** Rails



TOOLS REQUIRED

- Power screwdriver or drill

Handy to have:

- Tape measure
- Bit holder may be needed if using a drill with a quick-change chuck

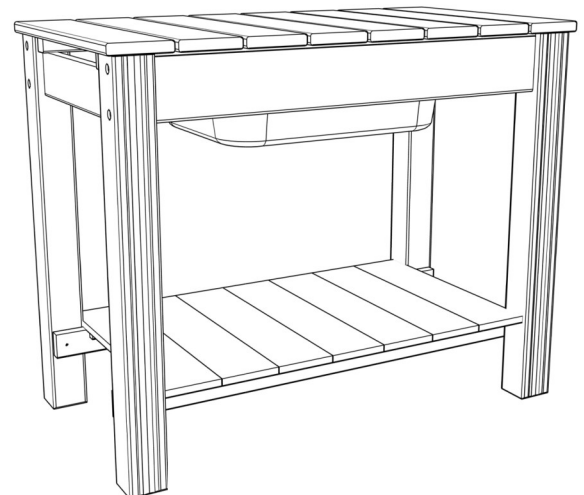
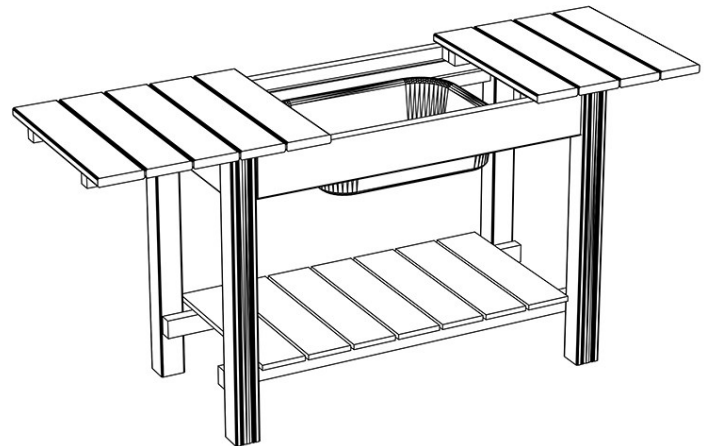
PRELIMINARIES

Selecting a Work Area

Select an area close to where the Potting Bench will be installed. The assembly area should be relatively flat and open. A lawn, driveway or wide path will be satisfactory. It is a good idea to lay out the box on your work surface to protect the bench from nicks and scratches. Always use caution when assembling or moving the bench.

PACKING NOTE: Extra sticks are part of packaging. Remove lath and staples from bottom of one leg assembly.

ASSEMBLED PRODUCT

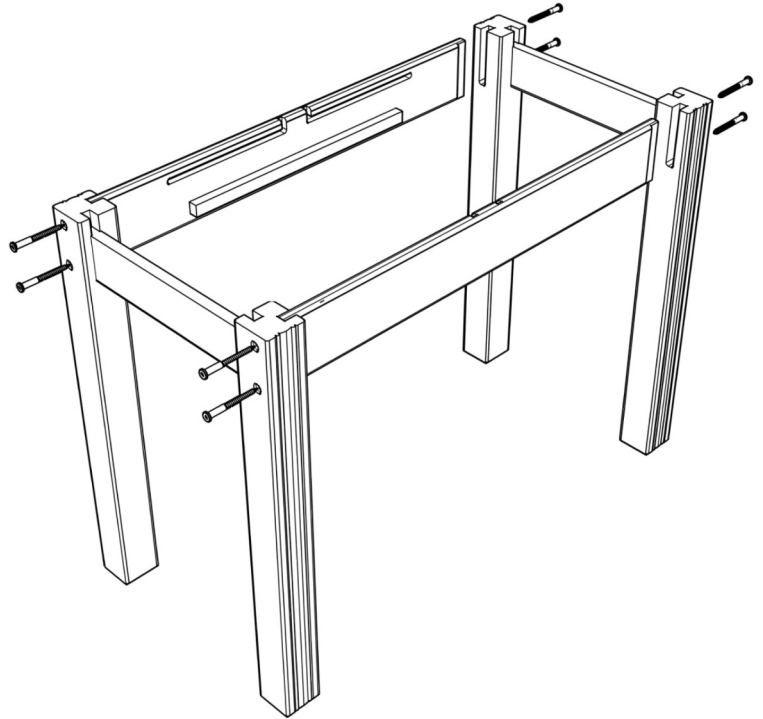


ASSEMBLY INSTRUCTIONS

POTTING BENCH

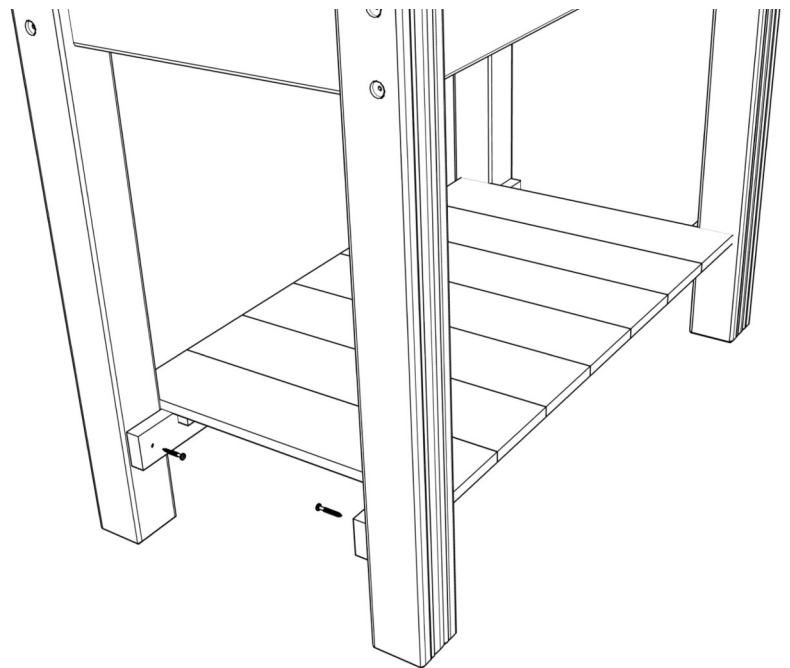
STEP 1

- Insert one rail piece into one of the leg mortises (grooves). Set the rail into the bottom of the groove. Attach two 4" screws into each leg.
- Repeat that process on each leg.



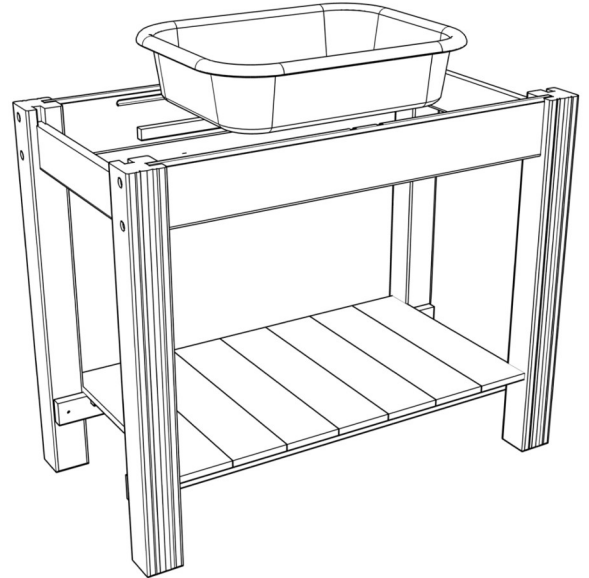
STEP 2

- Attach the shelf to the legs at your height preference with 2" screws through the pre-drilled holes in the shelf supports (recommended 8" above ground).

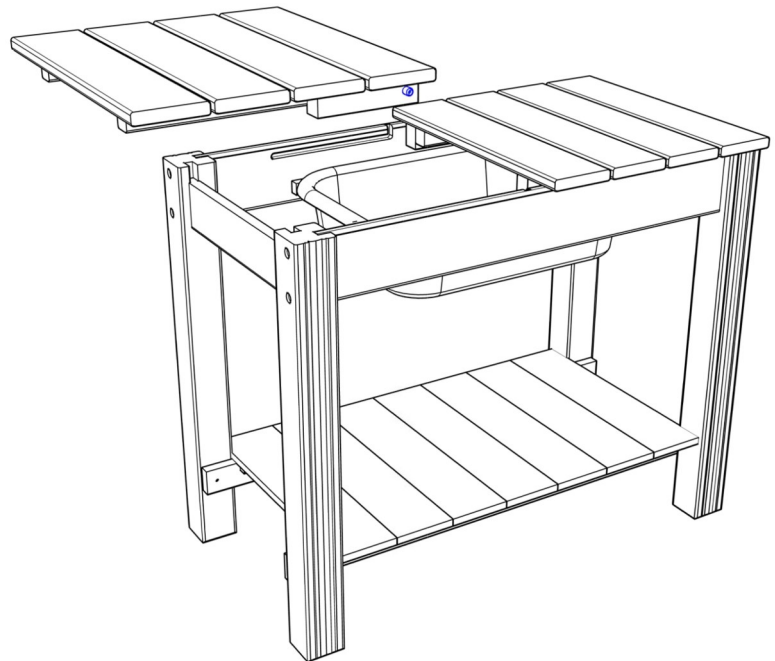


ASSEMBLY INSTRUCTIONS
POTTING BENCH**STEP 3**

- Set the plastic tub on the supports of the rail pieces.

**STEP 4**

- Place the sliding tops on the bench by aligning the plastic bushings into the grooved slots on the rail pieces.



NOTE: If you plan on leaving your bench exposed to the weather, tub drainage may be accomplished by drilling holes in the bottom of the tub.

ASSEMBLY INSTRUCTIONS
POTTING BENCH**ENVIRONMENT**

Congratulations, this garden structure is crafted from natural and chemical-free Western Cedar. Wood, as a building component, is recognized by the USDA¹ as yielding fewer greenhouse gases than other common materials. The use of wood provides substantial environmental benefits when compared to oil-based plastics. Using natural, untreated wood in your garden is not only the beautiful choice, but it reduces the exposure of plants, people and animals to potentially harmful chemicals. You can trust the Arboria name for environmentally conscious, exceptional outdoor products.

¹USDA.com Release No. 0426.11

ABOUT YOUR PRODUCT

This garden structure is made from natural and untreated Western Cedar, a species that is known for its natural resistance to pests and decay. This product features furniture-style craftsmanship to ensure strength and durability over the years to come. Like all wood products subjected to weather, small hairline cracks may develop. These should in no way impair the strength and usefulness of the furniture.

CARE AND MAINTENANCE

If left unstained, your garden structure will silver within a year or two of exposure to the elements. Silvering is a natural occurrence and is often considered a desirable look. The overall integrity of your garden structure is not compromised during this process. The inherent rot and pest resistance of the wood will provide a degree of protection and help your garden structure to endure over the years.

If you wish to further protect your structure from the long-term effects of aging or to stabilize the color/finish of your product, we recommend applying a quality water or oil-based finish. Best results can be achieved by using Penofin (www.penofin.com, 1.800.PENOFIN) as per manufacturer's instructions. If you desire to paint your product, we recommend a quality oil or acrylic primer coat prior to applying the final coat(s). Be sure to allow sufficient time for your product to dry.