

88 5661 27 Storage Cabinet

IMPORTANT NOTE

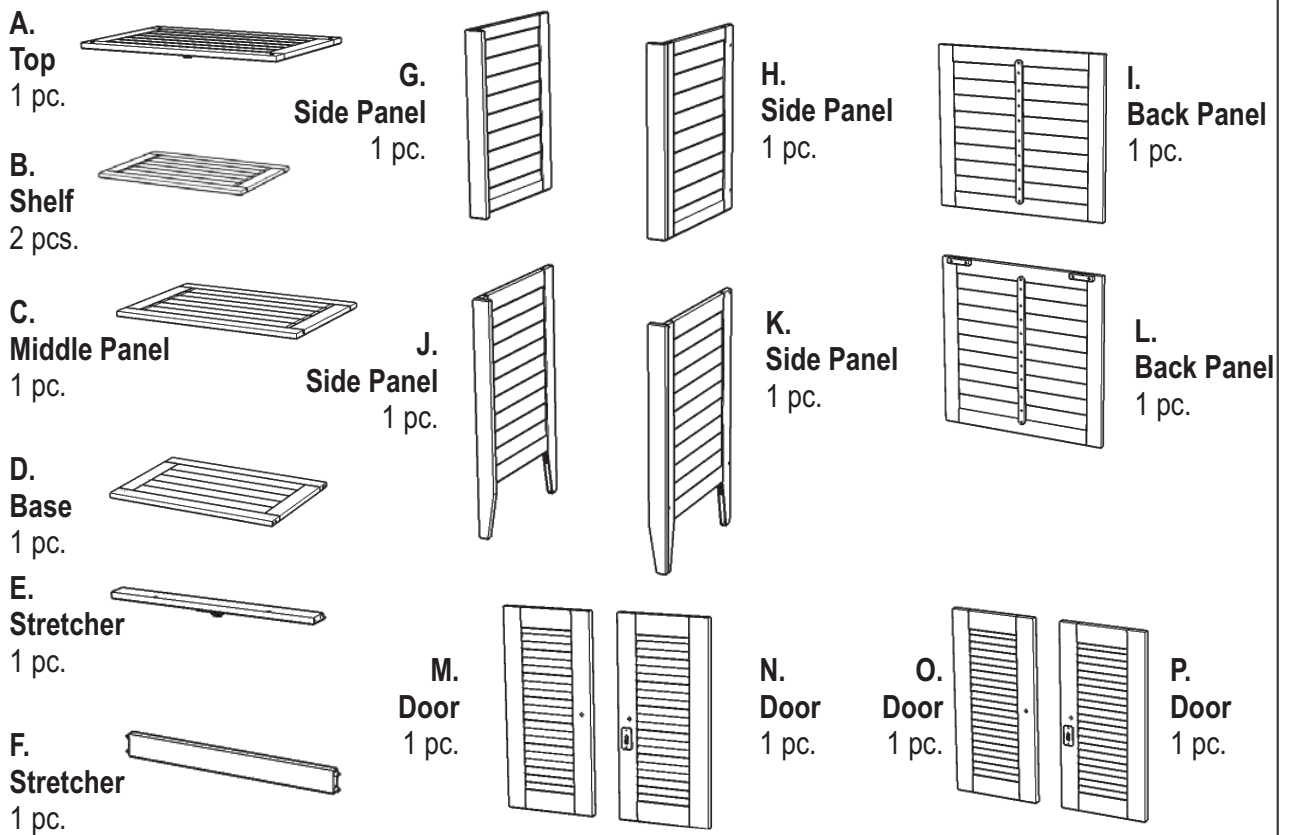
Carefully remove all the parts from the carton and put them individually on a soft cloth to prevent scratches or other damages occurring to the parts.

We have taken great care in the design of this product and request that you carefully and strictly follow our assembly instructions to ensure a completed product as it was designed.

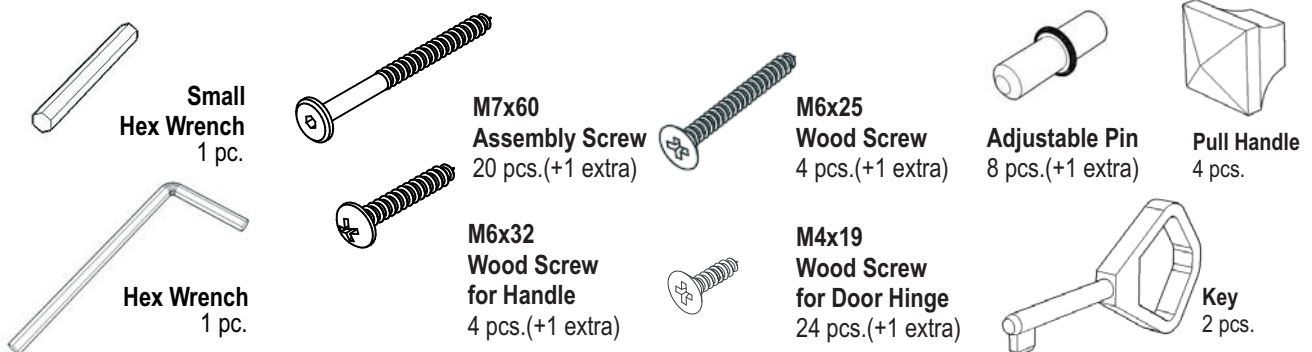
*Home
Styles*



Part List



Hardware List



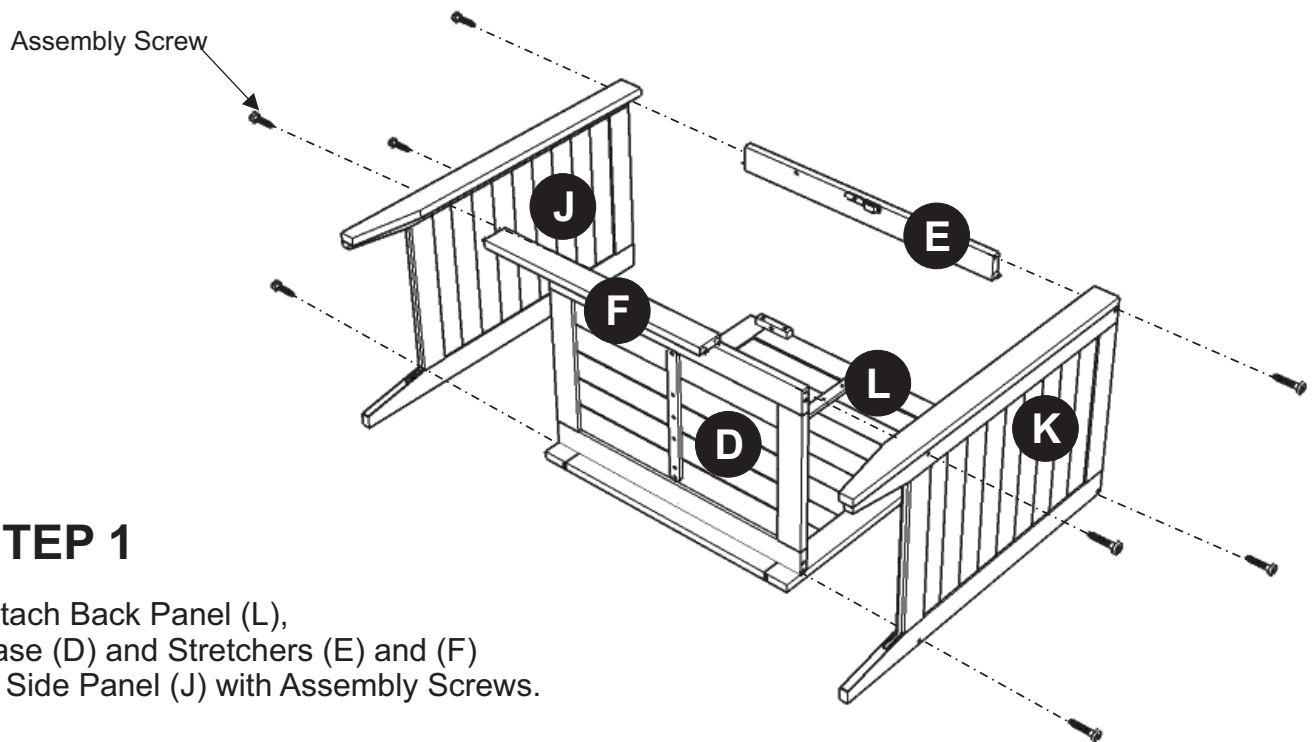
Tools required for assembly : Phillips screwdriver, Drill, 3/8" Drill Bit, Level

Home Styles Consumer Assistance: www.homestyles-furniture.com,
servicedesk@homestyles-furniture.com, 888-680-7460, 877-831-0319

Assembly Instructions 2/6

IMPORTANT

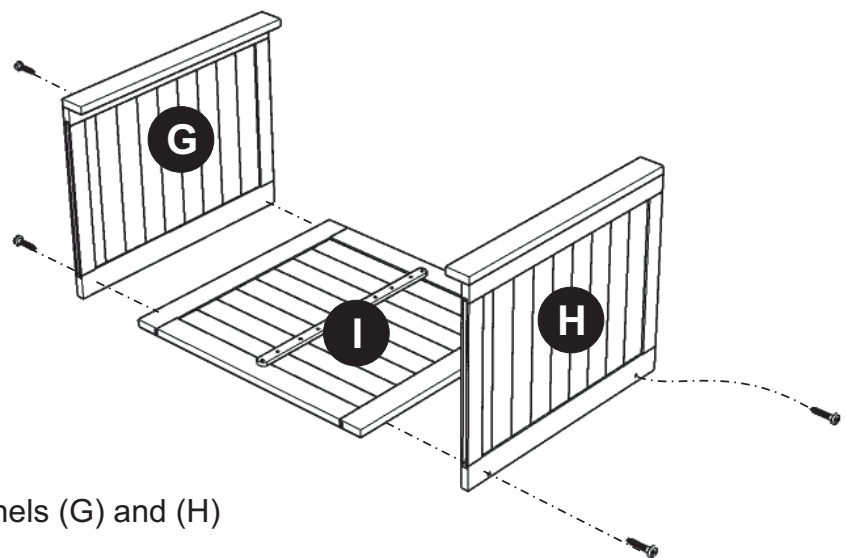
- * Please keep Hex Wrench in a safe place as you may need to tighten up the screws in the future.
- * After assembly item must be level to work properly. Use the include adjustable levelers to level.
- * Do not tighten up all the Screws until each part is properly assembled
- * Use a soft cloth between these parts and the floor.



STEP 1

Attach Back Panel (L),
Base (D) and Stretchers (E) and (F)
to Side Panel (J) with Assembly Screws.

Attach Side Panel (K) to unit with Assembly Screws.

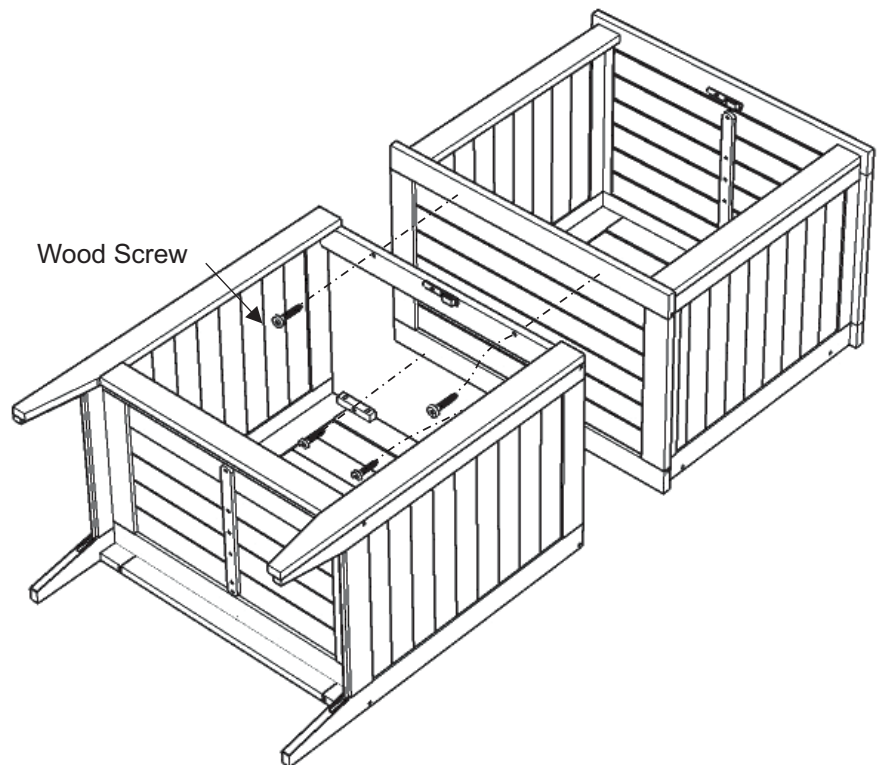
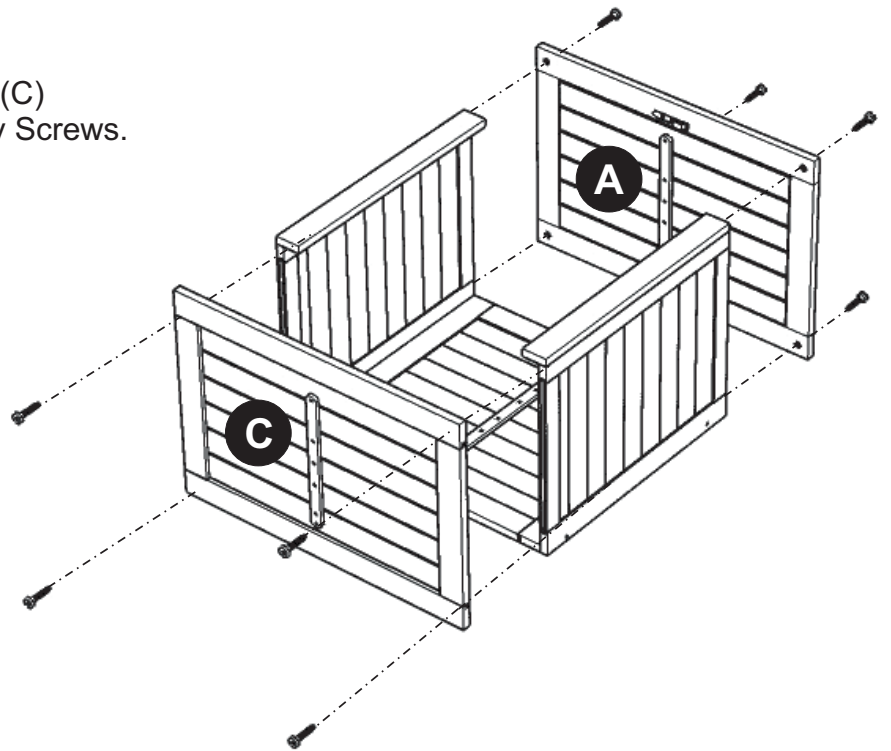


STEP 2

Attach Back Panel (I) to Side Panels (G) and (H)
with Assembly Screws.

STEP 3

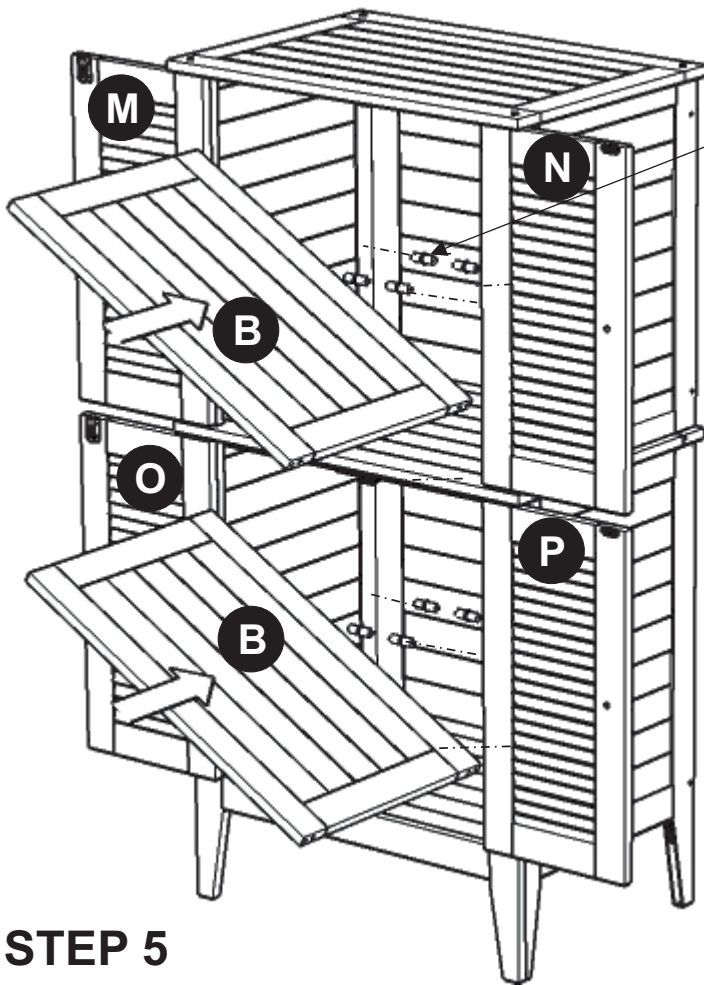
Attach Top (A) and Middle Panel (C) to unit from Step 2 with Assembly Screws.



STEP 4

Attach unit from Step 1 to unit from Step 3 with Wood Screws.

Assembly Instructions 4/6



Adjustable Pin

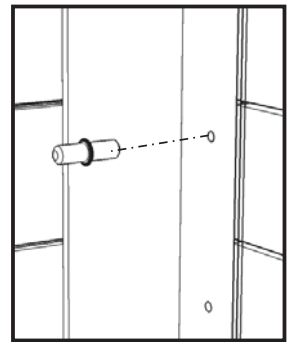


Figure 1

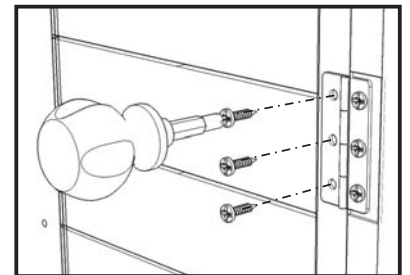


Figure 2

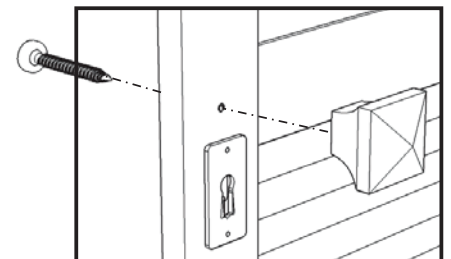


Figure 3

STEP 5

Insert Adjustable Pins into side panels at the desired level (See Figure 1), then place Shelves (B) into position.

Attach Doors (M), (N), (O) and (P) to unit with Wood Screws for Door Hinge. (See Figure 2)

Assemble Pull Handles to Doors with Wood Screws for Handle. (See Figure 3)

Move the door catch up then turn left to lock the door and turn right then pull down to unlock. (See Figures 4, 5)

Turn Key counter clockwise to lock the door and clockwise to unlock. (See Figure 6)

To level the unit, adjust the adjustable levelers on the bottom of legs. (See Figure 7)

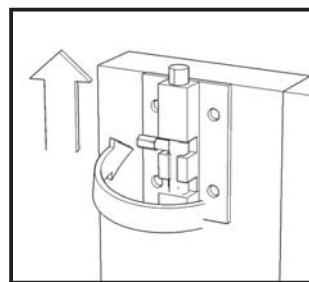


Figure 4

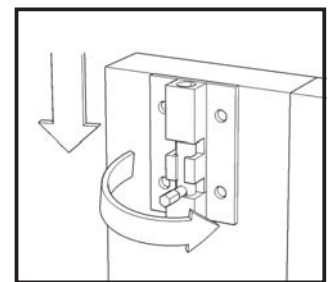


Figure 5

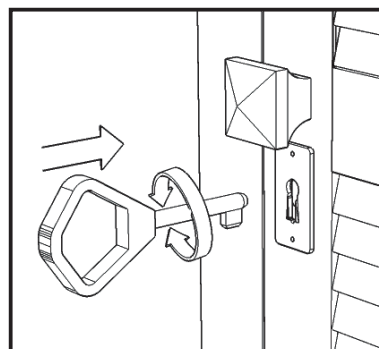


Figure 6

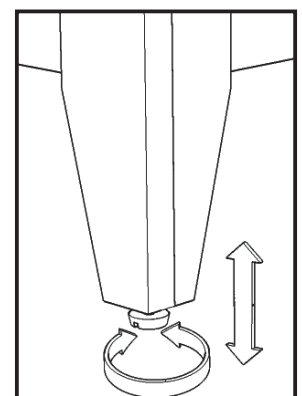


Figure 7

Attention!

To help reduce the risk of the unit tipping over, the Tipover Restraint must be installed following these instructions exactly!

Place unit at desired location.

Drill a 3/8" hole in wall at the appropriate location.

Insert Anchor into the wall hole and attach Bracket with Wall Screw.

Attach Bracket at pre-drilled hole at top of unit with Wood Screw.

Use Tipover Restraint to secure Bracket on unit to Bracket on wall.

(See Figure X)

Put tie end of Tipover Restraint into loop end of Tipover Restraint and pull until tight.

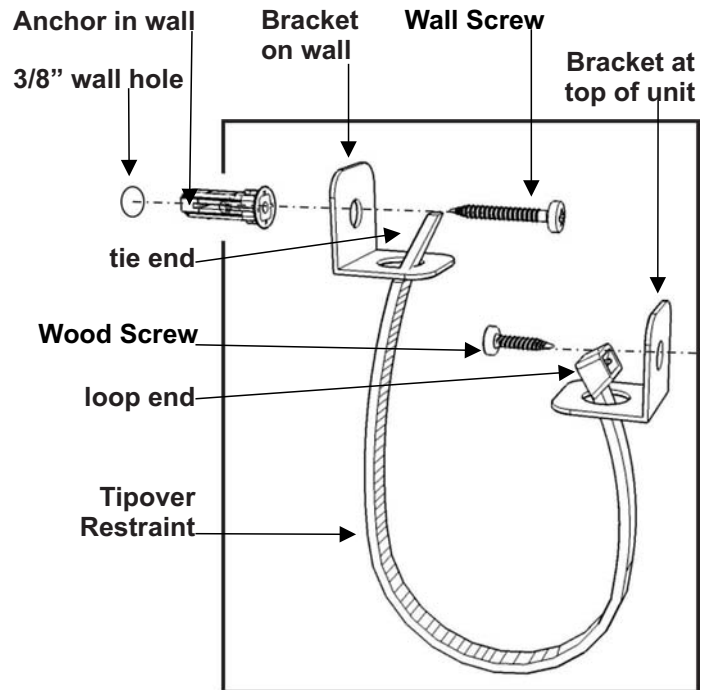
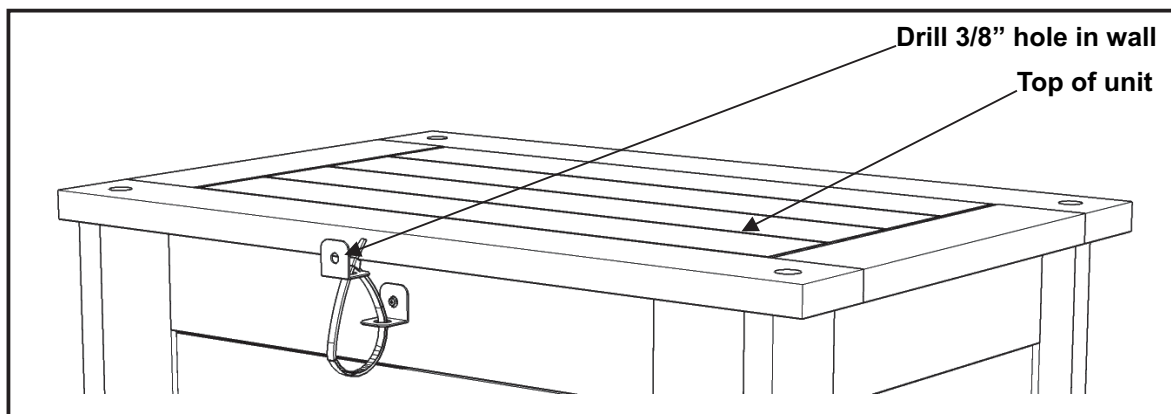
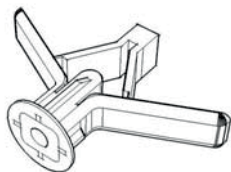


Figure X



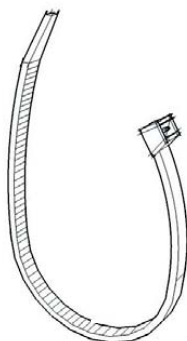
Hardware List



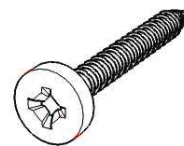
Anchor
1 pc.(+1 extra)



Bracket
2 pcs.(+1 extra)



Tipover Restraint
1 pc.(+1 extra)



**M3.5x38
Wall Screw**
1 pc.(+1 extra)



**M3.5x16
Wood Screw**
1 pc.(+1 extra)

IMPORTANT NOTICE

If the magnetic door catches are too strong and difficult to open, the magnetic power can be reduced and the door made easier to open by doing the following:

