

folio21

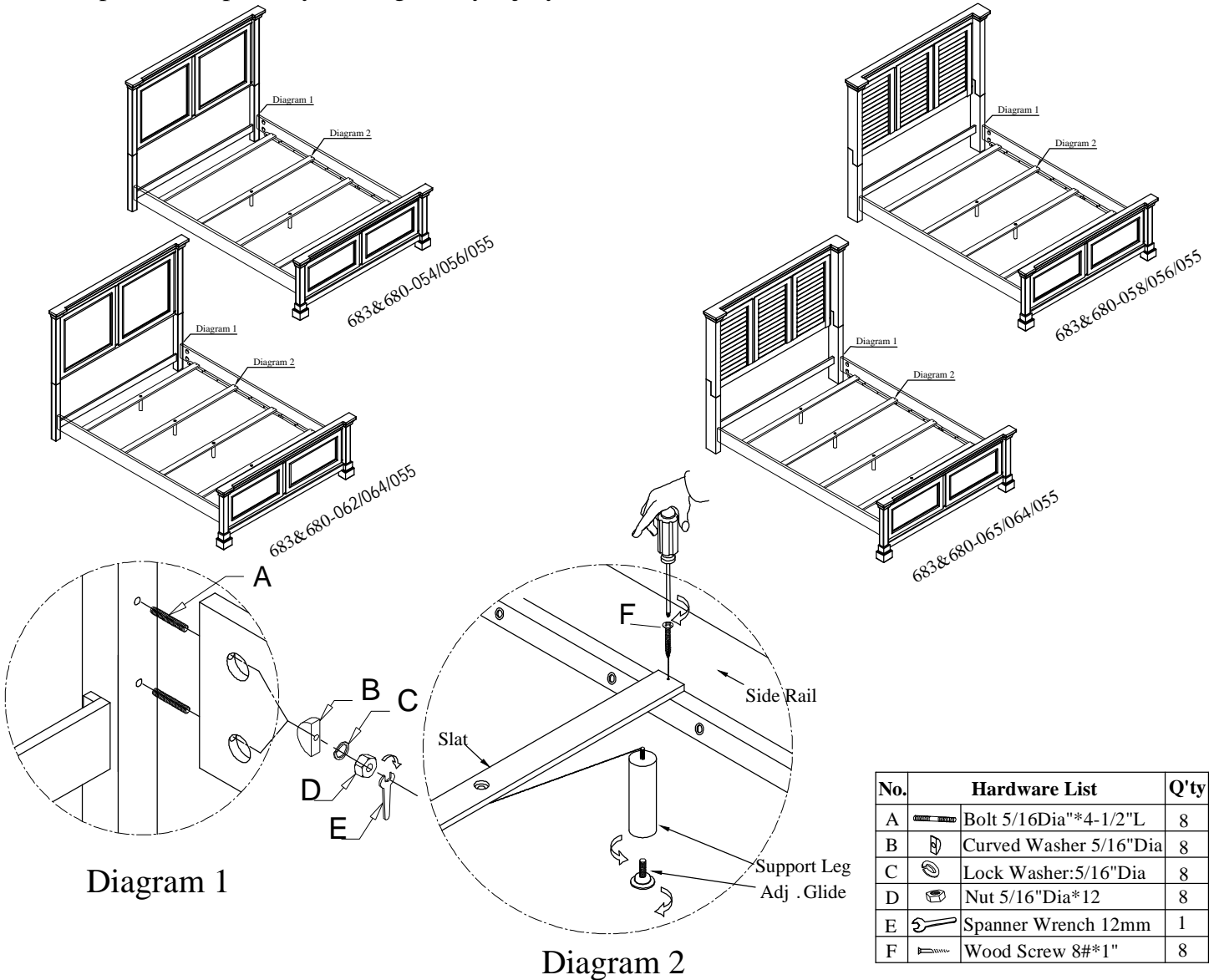
Model#: 683&680-054/056/055
 683&680-062/064/055
 683&680-058/056/055
 683&680-065/064/055

Assembly Instructions

Queen/King standard Rails

Thank you for purchasing this quality product. Be sure to check all packing materials carefully for small parts that may have come loose inside the carton during shipment. Identify and count all parts and compare with the Parts List below.

*****Caution:** Please read all instructions carefully before starting the assembly process. These parts are cumbersome and heavy and will require two people minimum to assemble properly without damaging the components or possibly causing bodily injury.



No.	Hardware List	Q'ty
A	Bolt 5/16Dia"*4-1/2"L	8
B	Curved Washer 5/16"Dia	8
C	Lock Washer:5/16"Dia	8
D	Nut 5/16"Dia*12	8
E	Spanner Wrench 12mm	1
F	Wood Screw 8#*1"	8

1. Attach two Bolts to each post of Headboard and Footboard. See Diagram 1.
2. Attach Side Rails to the posts by using Curved Washers, Lock Washers, Nuts and Wrench. See Diagram 1.
3. Attach the Support Legs to the Slats. See Diagram 2.
4. Attach the assembled Slats to the Side Rails by using Screws. See Diagram 2.
5. Adjust the Adjustable Glides so that the Glides touch the floor to support the center of the Slats.
 - Keep all hardware parts out of the reach of children.
 - Do not use substitute parts. Contact your dealer for replacement parts.
 - Do not use this bed with water or floatation devices.
 - Keep these instructions for future reference.
 - 5 / 0, 6 / 0, 6 / 6 beds with wooden rails require the use of middle support in addition to bed slats. (See Diagram 2)
 - Always use bed slats to support the mattress and box springs. (See Diagram 2)

The bed should not be moved after it has been assembled without first disassembling the bed rails. Excessive movements while the bed rails are locked into place may damage bed parts.

Cleaning instruction: Wipe surface to be cleaned with damp cotton cloth; dry immediately with soft dry cotton cloth to remove all moisture.

folio21

Assembly Instructions

Panel Bed HB

Model#:683&680-062/054

Thank you for purchasing this quality product. Be sure to check all packing materials carefully for small parts that may have come loose inside the carton during shipment. Identify and count all parts and compare with the Parts List below.

***Caution: Please read all instructions carefully before starting the assembly process. These parts are cumbersome and heavy and will require two people minimum to assemble properly without damaging the components or possibly causing bodily injury.

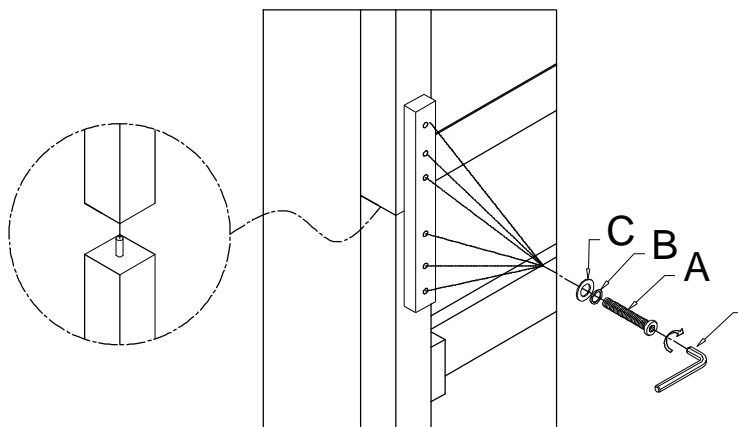
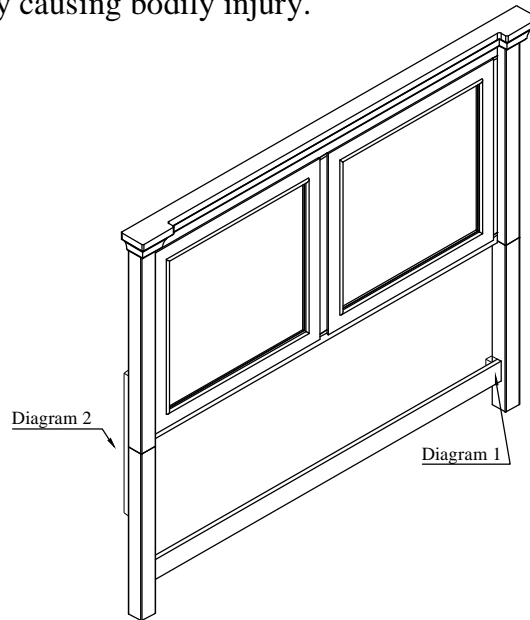


Diagram 2

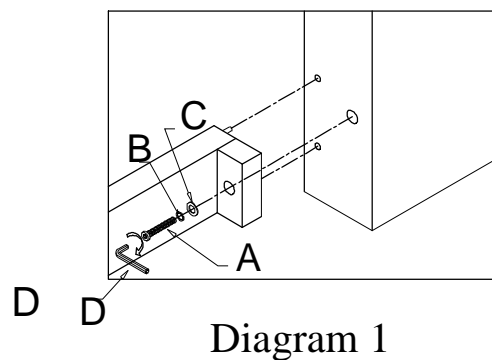






Diagram 1

No.	Hardware List	Q'ty
A	 Bolt 5/16"*2"L	14
B	 Lock Washer 5/16"*Ø12*3	14
C	 Flat Washer 5/16"*Ø19*2	14
D	 Allen Wrench 5mm	1

Note:

- Keep all hardware parts out of the reach of children.
- Do not use substitute parts. Contact your dealer for replacement parts.
- Keep these instructions for future reference.

Cleaning instruction: Wipe surface to be cleaned with damp cotton cloth; dry immediately with soft dry cotton cloth to remove all moisture.