

OPERATION INSTRUCTIONS MANUAL DE OPERACIÓN

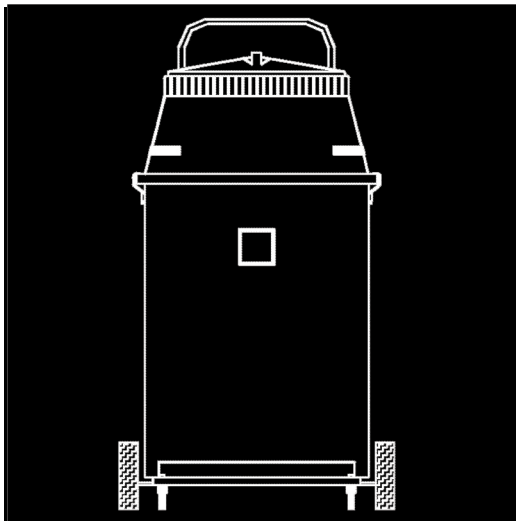
COMMERCIAL VACUUM CLEANER ASPIRADORA INDUSTRIAL / COMERCIAL

CONGRATULATIONS!

For the vacuum cleaner you have just acquired, please read this manual carefully before connecting your vacuum cleaner. Keep this manual at hand for further references.

¡FELICIDADES!

Por la aspiradora que acaba de adquirir, favor de leer este manual antes de conectar su aspiradora. Conserve este manual para futuras referencias.



MODELS / MODELOS:

WDV19

COMMERCIAL 19 HEAVY DUTY / INDUSTRIAL

ELECTRICAL RATING / CARACTERÍSTICAS ELÉCTRICAS

120 V~

60Hz

10,5 A

IMPORTANT SAFETY INSTRUCTIONS

- WHEN USING AN ELECTRICAL VACUUM CLEANER, BASIC PRECAUTIONS SHOULD BE FOLLOWED, INCLUDING THE FOLLOWING.
- READ ALL INSTRUCTIONS BEFORE USING VACUUM CLEANER. THIS VACUUM CLEANER IS FOR COMMERCIAL USE.

SAVE THESE INSTRUCTIONS FOR FUTURE REFERENCE.

WARNING

To reduce risk of fire, electric shock or injury:

- Use product only as described in this manual, use only manufacturer's recommended attachments.
- Do not pick up anything that is burning or smoking; such as cigarettes, matches or hot ashes.
- Do not leave vacuum when plugged in. Unplug from outlet when not in use or before servicing.
- Turn off unit before unplugging.
- Do not put any object into openings. Do not use with any opening blocked. Keep free dust, lint, hair and anything that may reduce air flow.
- Do not use without dust bag and / or filters in place.
- Do not allow vacuum to be used as a toy or to run unattended at any time. If used by children or near children, close supervision is necessary.
- Do not use with damaged cord plug. If vacuum is not working as it should, or if it has been dropped, damaged, left outdoors or dropped into water, return it to an authorized service center.
- Do not pull or carry by cord, use cord as a handle, close a door on a cord or pull cord around sharp edges or corners, do not run vacuum over cord. Keep away from heated surfaces.
- Do not unplug by pulling on cord. To unplug, grasp the plug, not the cord.
- Do not handle plug or vacuum with wet hands.
- Use extra care when cleaning stairs.
- Do not use to pick up flammable or combustible liquids, such as gasoline or use in area where such items may be present.
- Always turn off appliance before connecting or disconnecting, either hose or motorized nozzle.
- Keep hair, loose clothing, fingers and all parts of body away from openings and moving parts.
- To pick up water, take out the cloth filter. Never use vacuum cleaner as a pump (only for wet / dry models).
- Never vacuum water or liquids with the power nozzle.

GROUNDING INSTRUCTIONS

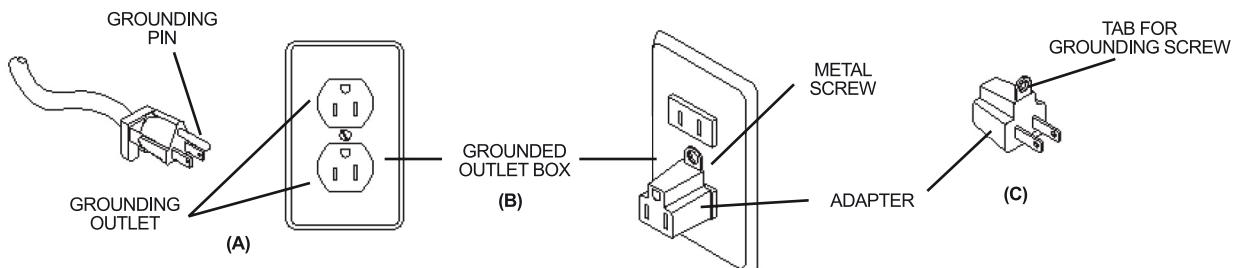
This model is grounded. Connect it to a properly grounded outlet only (see grounding instructions).

This appliance must be grounded. If it should malfunction or breakdown, grounding provides a path of least resistance for electric current to reduce the risk of shock. This appliance is equipped with a cord having an equipment - grounding conductor and a grounding plug. The plug must be inserted into an appropriate outlet that is properly installed and grounded in accordance with all local codes and ordinances.

WARNING - Improper connection of the equipment - grounding conductor can result in a risk of electric shock. Check with a qualified electrician or service person if you have doubts as to whether the outlet is properly grounded. Do not modify the plug provided with the appliance - if it does not fit the outlet, have a proper outlet installed by a qualified electrician.

This appliance is for use on a nominal 120 Volt circuit and has a grounded plug that looks like the plug illustrated in sketch "A". A temporary adaptor that looks like the adaptor in sketches "B" and "C" may be used to connect this plug to a 2-pole receptacle as shown in sketch B if a properly grounded outlet is not available. The temporary adaptor should be used only until a properly grounded outlet (sketch "A") can be installed by a qualified electrician. The green colored rigid wear, lug, or the like extending from the adaptor must be connected to a permanent ground such as a properly grounded outlet box cover. Whenever the adaptor is used, it must be held in place by a metal screw.

NOTE: In Canada, the use of temporary adaptor is not permitted by the Canadian Electric Code.



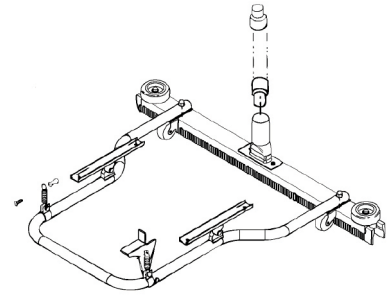
AVAILABLE ACCESSORIES

MODELS

1 1/2" HEAVY DUTY ACCESSORIES

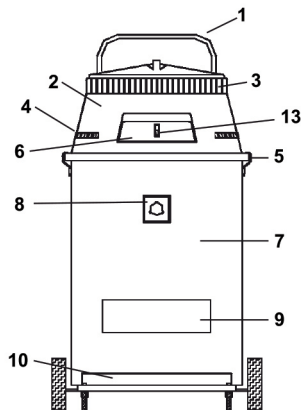
28.5" Squeegee
(only for Wet/Dry models)

NOTE: The number of accessories varies depending on each model.

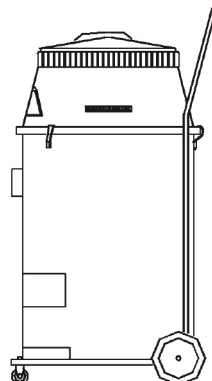


GETTING TO KNOW YOUR VACUUM CLEANER

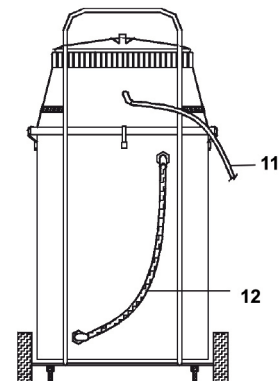
1. Handle
2. Motor head
3. Cooling air intake
4. Cooling air exhaust (only for wet/dry models)
5. Head clamps
6. Control panel
7. Tank
8. Suction inlet
9. Tank insert
10. Cart
11. Line cord
12. Drain hose
13. On/off switch



FRONT VIEW



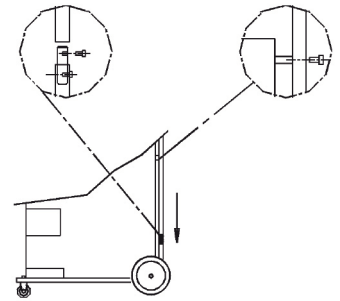
SIDE VIEW



BACK VIEW

ASSEMBLY

1. Insert both extremities of the handle on the tubes located in the rear of the cart.
2. Insert the four screws (included) and tighten.
3. Insert the two screws (included) in the mid separators and tighten.



IF YOU HAVE A PROBLEM

PROBLEM	POSSIBLE CAUSE	POSSIBLE SOLUTION
Vacuum does not start.	Not firmly plugged in.	Plug in firmly.
Low suction.	Tank full. Filters are dirty. Motor head not installed correctly. Clogged hose.	Empty tank. Shake dust off cloth and wash the sponge Be sure the hood seats properly on the tank. Check the snap clamp are closed. Clean the hose.

WET PICK - UP (Only for wet / dry models)

1. Take the motor head out of the tank. Unlock the three snap clamps.
2. Remove the cloth filter and replace the motor head into place.
3. Connect the line cord into a 120 Volts, 60 Hz outlet.
4. Install the water suction accessory.
5. Turn the vacuum cleaner on, using the on / off switch.
6. When finished, turn the vacuum cleaner off, disconnect it and wind the cord around the handle.

NOTE: When the tank is full, the float valve will close the motor intake, preventing any further suction. Never vacuum water with the power nozzle, the electric hose or the cloth filter.

MAINTENANCE

1. Check the level of the water or dirt in the tank periodically. If it is full, take the motor head off and empty the tank (see fig. 1).
2. Shake the cloth filter to remove the dust, never wash it. Place the bag over cage, making sure the elastic band is over the last wire ring of the cage, fitting snugly between the last ring and the motor base covering the entire cage (see fig. 2).
3. Take off the sponge filter at the bottom of the motor head (see fig. 3). Hand wash it with cold water. Let it dry completely before placing it again in the vacuum cleaner. Never use heat sources to shorten the drying time, this can change its shape.
4. Place the motor head over the tank and lock the three snap latches.

NOTE: This model includes a drain hose.

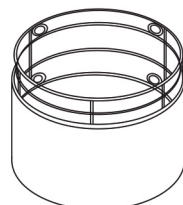
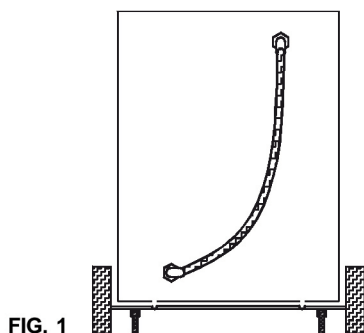


FIG. 2

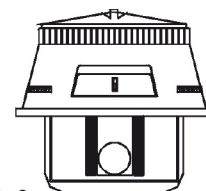
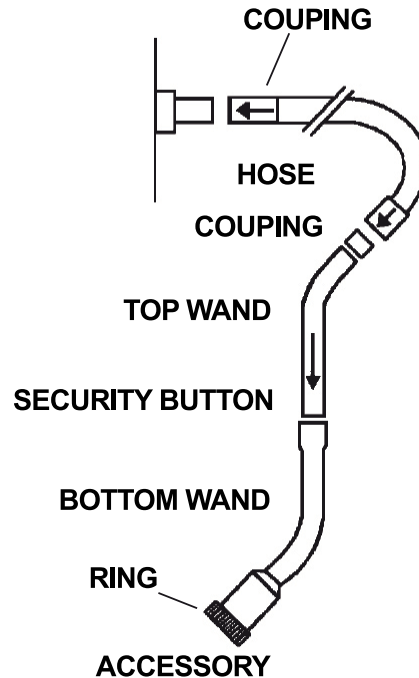


FIG. 3

CONNECTING HOSE AND ACCESSORIES

1. Press the plastic coupling of the hose into the suction inlet tube.
2. Press the other end of the hose into the upper extension wands (the one without coupling ring).
3. Join the two wands aligning the button and the hole.
4. To connect the accessories, loosen the ring (do not take it off) and insert the accessory of your choice. Tighten up the ring again.
5. The crevice tool, the furniture and upholstery brush, and the dust brush can be connected directly into the hose.



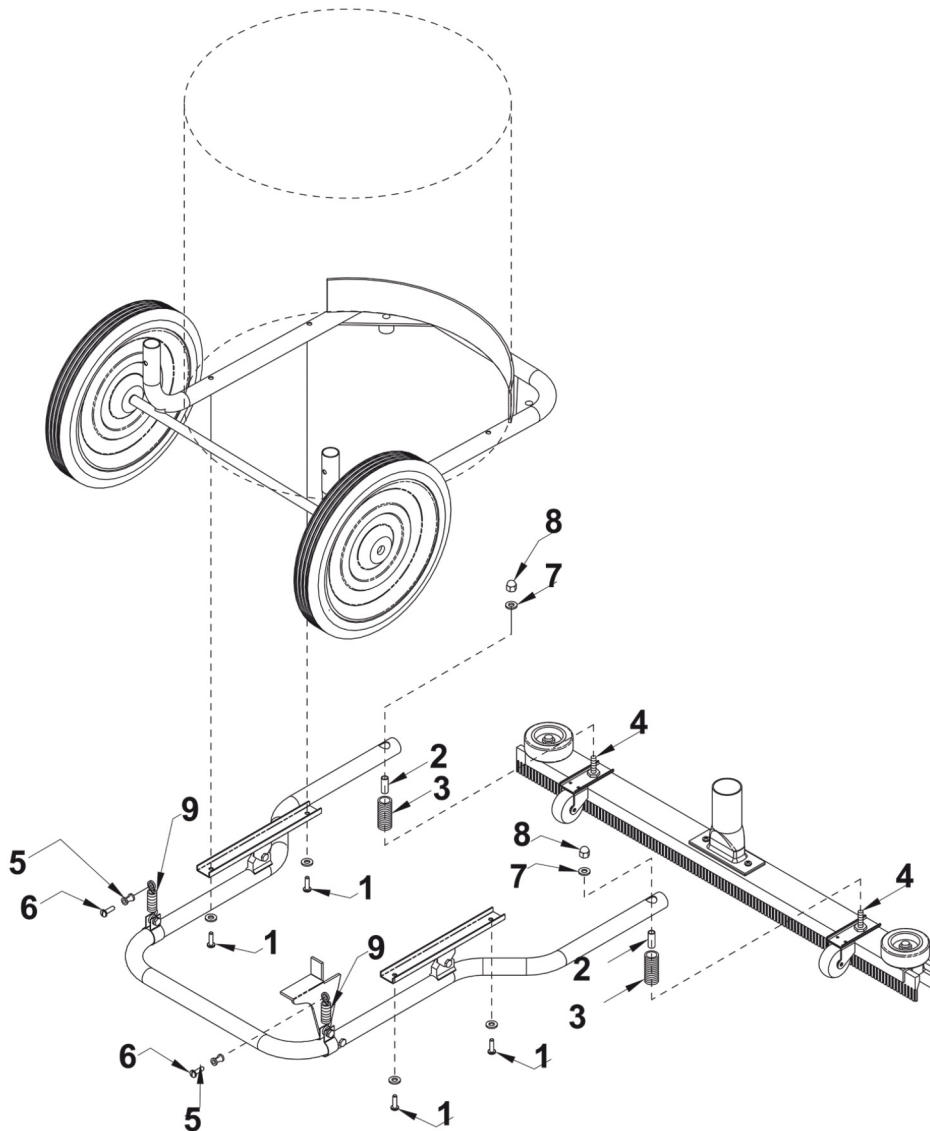
DRY VACUUMING

1. Make sure that the cloth filter and the sponge filter are on their correct position (see maintenance section).
Make sure both filters are completely dry.
2. Make sure that the head snap clamps are in the closed position.
3. Connect the line cord to a 120 Volts, 60 Hz outlet.
4. Connect the accessory of your choice (except the water suction accessory).
5. Turn the vacuum on using the on / off switch.
6. When finished, turn the vacuum off, disconnect it and wind the cord around the handle.

HOW TO INSTALL THE 28.5" SQUEEGEE

Only for Wet / Dry models

1. Remove the four screws (1) that retain the tank.
2. Place the separators (2) and spring loops (3) in the screw (4).
3. Place the squeegee and fix it with the flat washer (7) and the nut (8).
4. Place the squeegee with the four screws (1) that retain the tank.
5. Remove the screw that joint the handle.
6. Place the separator with the large screw (6).
7. Place the spring loop (9) on the separator.



ADVERTENCIAS

- AL UTILIZAR SU ASPIRADORA, SE DEBEN SEGUIR LAS SIGUIENTES PRECAUCIONES.
- LEA TODAS LAS INSTRUCCIONES ANTES DE UTILIZAR SU ASPIRADORA.

GUARDE ESTE MANUAL PARA FUTURAS REFERENCIAS

PRECAUCIONES

Para reducir el riesgo de fuego, choque eléctrico o heridas:

- Úsese sólo como se describe en este manual. Utilice únicamente accesorios recomendados por el fabricante.
- No recoja nada que se esté quemando o humeando como cigarrillos, cerillos o cenizas calientes.
- No deje la aspiradora sola cuando está conectada.
Cuando no esté en uso y antes de darle servicio apague y desconecte su aspiradora.
- Apague todos los controles antes de desconectar.
- No ponga ningún objeto en ninguna de las aberturas, ni se utilice con alguna abertura bloqueada.
Mantenga su aspiradora libre de polvo, cabello, pelusa o cualquier cosa que pueda reducir el paso del aire.
- Cuando utilice su aspiradora cerca de los niños, favor de tener extremo cuidado.
- Este aparato no se destina para utilizarse por personas (incluyendo niños) cuyas capacidades físicas, sensoriales o mentales sean diferentes o estén reducidas, o carezcan de experiencia o conocimiento, a menos que dichas personas reciban una supervisión o capacitación para el funcionamiento del aparato por una persona responsable de su seguridad.
- Los niños deben supervisarse para asegurar que ellos no empleen los aparatos como juguete.
- Si el cordón de alimentación es dañado, debe ser reemplazado por el fabricante, su agente de servicio o personal calificado para evitar cualquier riesgo.
- No cargue o jale la aspiradora con el cordón, ni lo use como manija, no jale el cordón sobre orillas o esquinas filosas y manténgalo alejado de superficies calientes.
- No maneje la aspiradora o la clavija con las manos mojadas.
- No utilice su aspiradora cerca de o para recoger líquidos inflamables o combustibles como la gasolina.
- No desconecte su aspiradora jalándola por el cable. Para desconectarla júlela de la clavija.
- Para recoger agua, quite el filtro de tela, nunca utilice la aspiradora como una bomba (sólo para modelos seco / mojado).
- Nunca aspire agua o líquidos con el accesorio motorizado.
- Siempre apague la aspiradora antes de conectar o desconectar el accesorio motorizado.
- Cuide el producto de insectos, roedores o elementos extraños ya que éstos podrían causarle daños al equipo.
Las variaciones en el voltaje suministrado pueden provocar daños en su equipo.

INSTRUCCIONES DE ATERRIZADO

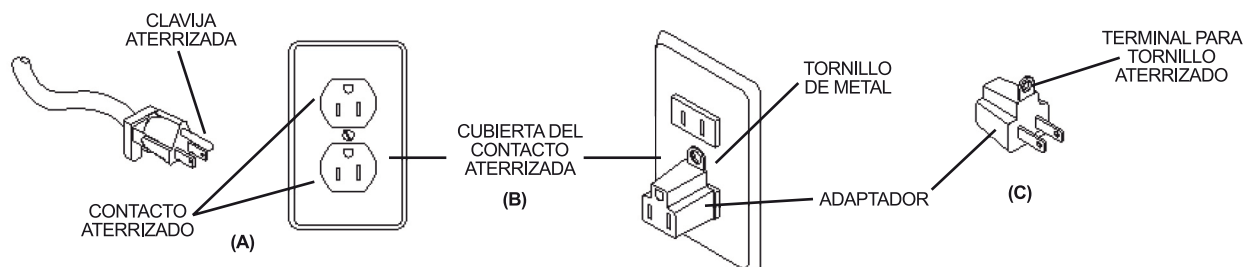
Conéctelos sólo a un contacto aterrizado. Lea las instrucciones de aterrizado.

Este aparato debe ser aterrizado. Si sufre alguna falla, la tierra provee un camino a la corriente que evita el riesgo de choque eléctrico. El aparato está equipado con un cable que cuenta con un conductor y una clavija aterrizada.

La clavija deberá conectarse a un contacto adecuado instalado y aterrizado apropiadamente de acuerdo a las normas eléctricas locales.

ADVERTENCIA - Una conexión inapropiada puede provocar riesgo de choque eléctrico, revise por medio de un electricista capacitado que el contacto que utilizará está debidamente aterrizado. No modifique la clavija de la máquina, si la clavija no ajusta en el contacto, instale uno llamando a un electricista capacitado.

Esta máquina está diseñada para utilizarse en un circuito nominal de 120 Volts, y tiene una clavija aterrizada como se ilustra en la figura "A". Un adaptador como el ilustrado en las figuras "B" y "C", puede utilizarse temporalmente para conectar la clavija a un contacto de dos polos como el de la figura "B". El adaptador temporal sólo podrá utilizarse mientras un electricista calificado instala un contacto aterrizado como el que se ilustra en la figura "A". La terminal del adaptador o el cable color verde deberá conectarse a una tierra permanente tal como el tornillo que sujeta la cubierta del contacto. Siempre que utilice el adaptador, éste deberá sujetarse con un tornillo.



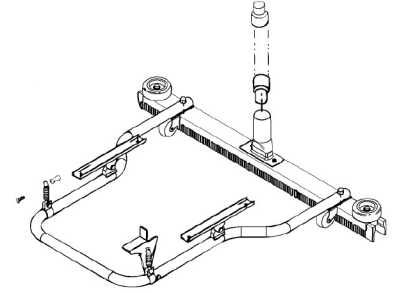
ACCESORIOS

MODELOS

ACCESORIOS INDUSTRIALES DE 1 1/2"

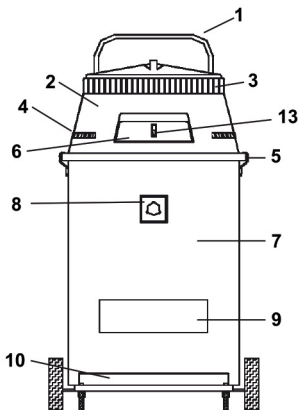
**Accesorio Jalador de Líquidos
de 28.5 pulgadas
(sólo para modelos Seco/Mojado)**

NOTA: La cantidad de accesorios varía según el modelo.

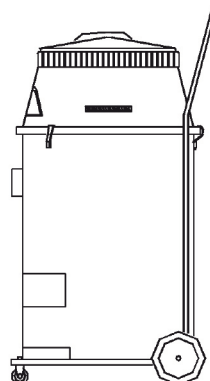


CONOZCA SU ASPIRADORA

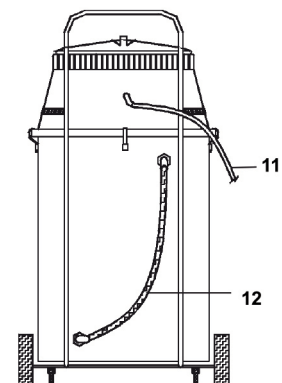
1. Manija
2. Cabeza del motor
3. Entrada de ventilación
4. Salida de ventilación (sólo para modelos seco / mojado)
5. Seguros de la cabeza del motor
6. Panel de control
7. Tanque
8. Conexión de manguera - succión de aire
9. Inserto
10. Carretilla
11. Cable de línea
12. Manguera de desagüe
13. Interruptor de encendido



VISTA FRONTAL



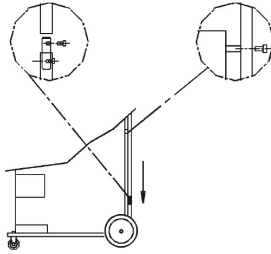
VISTA LATERAL



VISTA TRASERA

ENSAMBLE

1. Inserte ambas extremidades de la manija en los tubos de la parte trasera de la carretilla.
2. Inserte los tornillos en los barrenos y asegure la unión utilizando los cuatro tornillos (incluidos).
3. Inserte los tornillos en los separadores intermedios montados en el tanque, utilizando los dos tornillos (incluidos).



SI TIENE ALGÚN PROBLEMA

PROBLEMA	CAUSA POSIBLE	SOLUCIÓN POSIBLE
No enciende	Mal conectada	Conectar bien la
Poca succión	Depósito lleno Filtros sucios Cabeza mal instalada Manguera obstruida	Vaciar el Sacudir el filtro de tela y lava el filtro de espuma. Verifique que los tres seguros estén cerrados. Asegúrese que la cabeza asiente bien en el tanque. Limpie la manguera.

CÓMO RECOGER AGUA (Únicamente modelos seco / mojado)

1. Quite la cabeza del tanque, aflojando los tres seguros.
2. Quite el filtro de tela y vuelva a instalar la cabeza.
3. Conecte el cable en un tomacorriente de 120 Volts, 60 Hz.
4. Instale el accesorio jalador de agua.
5. Encienda la aspiradora.
6. Al terminar, apague la aspiradora, desconéctela y enrolle el cable en la manija.

NOTA: Cuando el tanque esté lleno, el flotador cerrará la entrada al motor impidiendo que siga succionando. Nunca aspire agua con el accesorio motorizado, ni con el filtro de lona.

MANTENIMIENTO

1. Verifique periódicamente el nivel de basura o agua en el tanque, si está lleno, quite la cabeza y vacíe el tanque (fig. 1).
2. Sacuda y nunca lave el filtro de tela. Coloque la bolsa sobre la jaula, asegurándose que el borde con resorte de la bolsa pase sobre el último arillo de la jaula y selle contra la base cubriendo la jaula completamente (fig. 2).
3. Retire el filtro de hule espuma localizado en la parte inferior de la cabeza (fig. 3), lávelo a mano con agua fría, déjelo secar completamente antes de reinstalarlo. Nunca use fuentes de calor para acelerar el tiempo de secado, esto lo deformará.
4. Vuelva a instalar la cabeza sobre el tanque y cierre los tres seguros.

NOTA: Modelo WDV19 cuenta con manguera de desagüe para su vaciado.

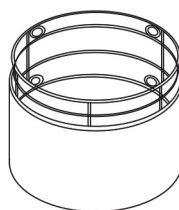
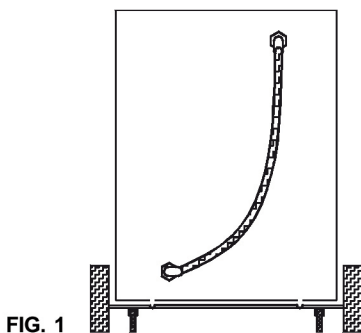


FIG. 2

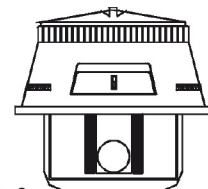
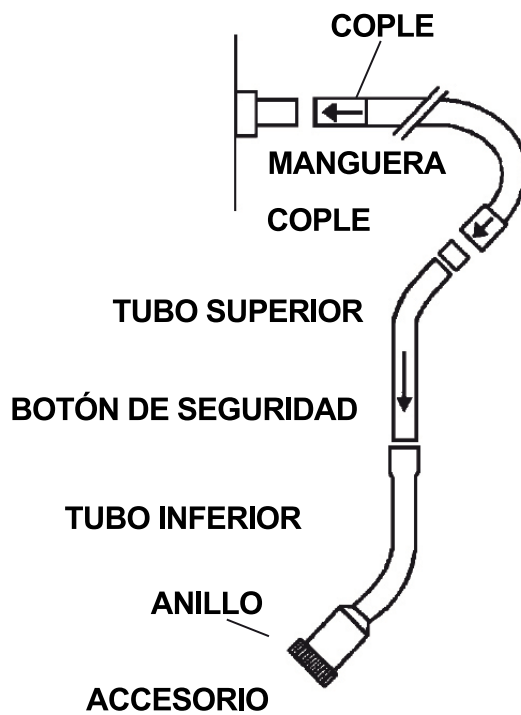


FIG. 3

CÓMO CONECTAR LA MANGUERA Y ACCESORIOS

1. Inserte a presión el cople, de plástico, de la manguera en el tubo de la entrada de succión.
2. Inserte a presión la otra extremidad de la manguera en el tubo de extensión superior (el que no tiene anillo de acople).
3. Una los dos tubos alineando el botón y el agujero.
4. Para instalar los accesorios, afloje el anillo (sin quitarlo) del cople e inserte el accesorio de su elección; vuelva a apretar el anillo.
5. El accesorio esquinero, tapicero y plumero se acoplan directamente a la manguera.



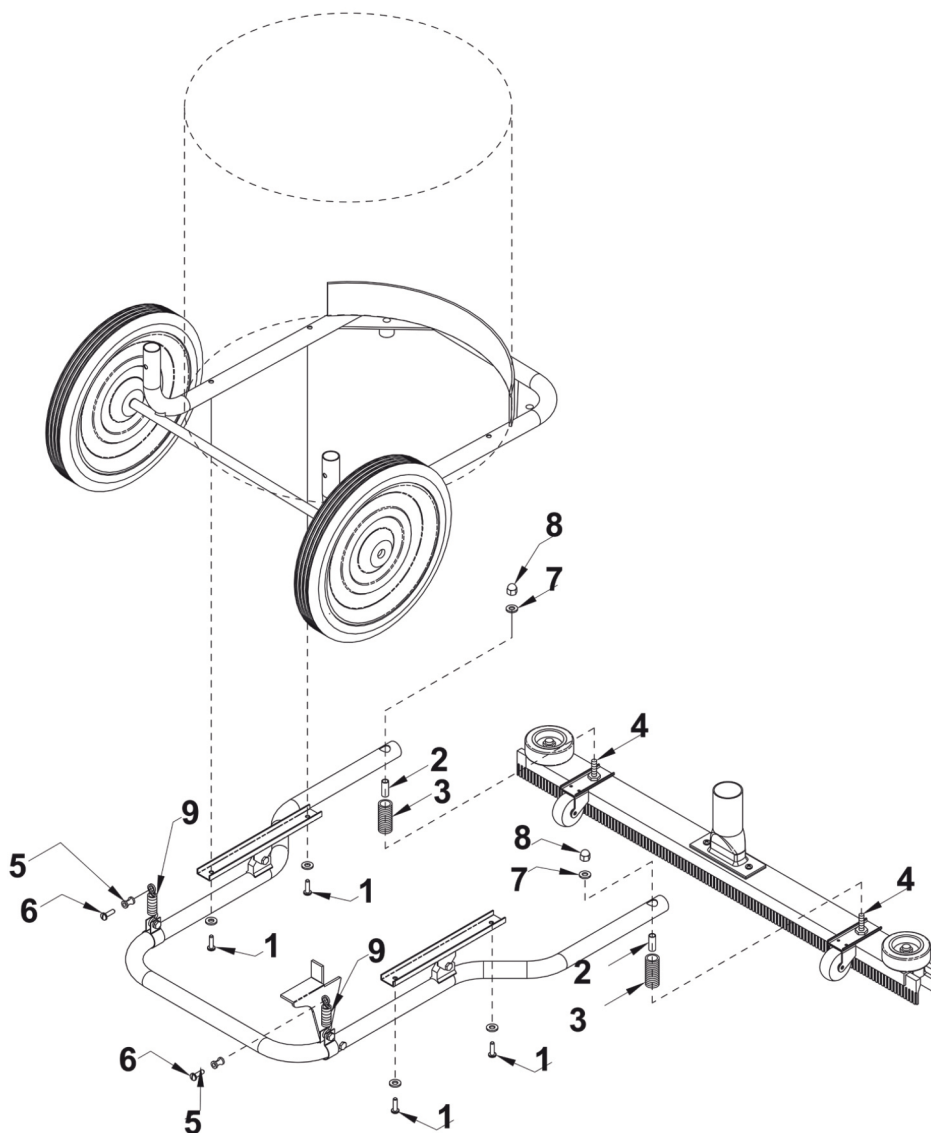
OPERACIÓN EN SECO

1. Verifique que el filtro de lona y el filtro de hule espuma están en posición correcta (vea la sección de mantenimiento).
Asegúrese de que ambos filtros estén completamente secos.
2. Verifique que los seguros de la cabeza estén en posición cerrada.
3. Conecte el cable en una toma de corriente de 120 Volts.
4. Instale el accesorio de su elección (excepto jalador de agua).
5. Encienda la aspiradora accionando el interruptor.
6. Al terminar, apague la aspiradora, desconéctela y enrolle el cable en la manija.

CÓMO INSTALAR EL ACCESORIO JALADOR DE LÍQUIDOS DE 28.5"

Sólo para modelos seco / mojado

1. Quite los cuatro tornillos (1) que sujetan al bote.
2. Coloque los separadores (2) y resortes (3) en el tornillo del accesorio (4).
3. Coloque el accesorio en los barrenos del chasis squeegee, sujetando con la rondana (7) y tuerca (8).
4. Coloque el accesorio con los cuatro tornillos (1) que sujetan al bote.
5. Quite los dos tornillos inferiores que sujetan la manija.
6. Coloque el separador con el tornillo largo (6) que se proporciona.
7. Jale el resorte (9) hacia arriba y colóquelo en el separador.



WARRANTY

(Valid only in the United States)

Ventamatic, Ltd. extends this warranty to the original retail purchaser of its model. No subsequent purchaser of the unit is entitled to any of the benefits of this warranty.

This product is warranted against defects in materials and workmanship for a period of one (1) year from the date of the original retail purchase of the unit.

In the event of a defect or malfunction, we will replace or repair the defective part or component only and return the new or repaired part to you freight prepaid. You must bear all other expenses incurred in obtaining repairs, including labor required for field repair or replacement, and the cost of shipping the defective part to us. You must also bear the cost of repair to or replacement of any part or component and the shipping charges incurred for the repair or replacement and return to you of any part or component not covered by this warranty, including parts or components damaged by you.

The company reserves the right to demand and receive written evidence of the date of purchase before undertaking to perform its obligations under this warranty. You should, therefore, retain your sales slip and attach a copy of it to the warranty claim.

In order to obtain the repair or replacement of this unit, you must select one of the following methods:

Return to factory.

Return postage prepaid only the part or component which you believe to be defective to the following address:

Ventamatic, Ltd.
100 Washington Street
Mineral Wells, TX 76067

*Complete and enclose a written claim and attach a copy of your sales slip or other proof of purchase.

Return to retail dealer.

If the retail dealer from whom you purchased this unit stocks replacement parts or components, you may return a part or component which you believe to be defective to that dealer for replacement.

Caution: Only a limited number of our retail dealers stock replacement parts. If your dealer does not, you must return the part to the factory following the procedure described in paragraph "A" above.

There is no informal dispute settling mechanism available in the event of a controversy involving this warranty. Any and all implied warranties which may exist terminate upon the expiration of this warranty one (1) year from the date of the original retail purchase. Some states do not allow limitation on how long an implied warranty last, so this limitation may not apply to you.

Ventamatic, Ltd. is not liable to you for incidental or consequential damages arising out of a defect or malfunction of a unit or its installation or out of any alleged breach of this warranty. Some states do not allow the exclusion or limitation of incidental or consequential damages, so this limitation may not apply to you. This warranty gives you specific legal rights and you may also have other rights which may vary from state to state.

CONTACT US

Please contact us with questions or concerns using the following methods:

Phone: 1-800-433-1626

Online : www.bvc.com for LiveChat and Knowledgebase articles

Our office hours for live help are
MONDAY - FRIDAY
8:00 AM to 5:00 PM
(Central Time)