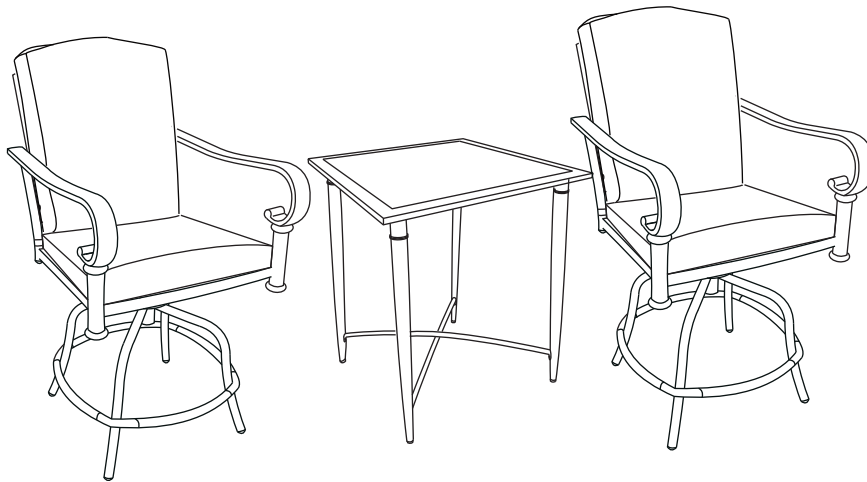




Item # 741 229
Model # 176-411-3BAL

USE AND CARE GUIDE

OAK CLIFF 3 PC SWIVEL BALCONY SET



Questions, problems, missing parts? Before returning to the store,
call Hampton Bay Customer Service
8.00 a.m. - 7.00 p.m. EST, Monday - Friday,
9.00 a.m. - 6.00 p.m. EST, Saturday

1-855-HD-HAMPTON

HAMPTONBAY.COM

THANK YOU

We appreciate the trust and confidence you have placed in Hampton Bay through the purchase of this balcony set. We strive to continually create quality products designed to enhance your home. Visit us online to see our full line of products available for your home improvement needs. Thank you for choosing Hampton Bay!

Table of Contents

Table of Contents.....	2	Pre-Assembly.....	3
Safety Information.....	2	Planning Assembly	3
Warranty.....	2	Hardware Included.....	3
2 Year Frame and Fabric Limited Warranty.....	2	Package Contents	4
What is Covered.....	2	Assembly	5
What is Not Covered	2		
Care Instructions.....	2		

Safety Information



DANGER: Please keep children out of the assembly area during assembly.



CAUTION: Use the table on flat ground only.



IMPORTANT: Please check the tightness of the bolts periodically.

Warranty

2 YEAR FRAME AND FABRIC LIMITED WARRANTY

WHAT IS COVERED

We warrant the frame and cushion fabric to be free of manufacturing defects to the original purchaser for two years .

WHAT IS NOT COVERED

It remains the customer's responsibility for freight and packaging charges to and from our service center. This warranty does not cover commercial use, hardware, acts of nature, fire, freezing and abusive use. In addition, purchased parts are not covered under this warranty. We reserve the right to make substitutions with similar merchandise, if the model in question is no longer in production.

Care Instructions

Before using, wipe with a clean, dry cloth. Do not use bleach or solvents. Treat frame with liquid wax for maximum protection against UV light and salty, damp air. When not in use, store furniture in a cool, dry place. If your set includes cushions or mesh fabric, they may be cleaned by hand with a mild solution of soap and water. Rinse cushion thoroughly and allow to drip dry. Do not machine wash or tumble dry, as cushions may shrink. Do not use bleach or solvents on fabrics. When cleaning the tabletop make sure to use a soft, clean cloth that doesn't bleed color as well.

You may contact our customer service department with any questions by phone at 1-855-HD-HAMPTON or visit www.hamptonbay.com.

Pre-Assembly

PLANNING ASSEMBLY

It will take two people about 20 minutes to complete the assembly process.

HARDWARE INCLUDED

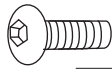


NOTE: Hardware not shown to actual size.

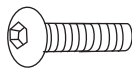
2 Piece Balcony Height Swivel Chairs



AA



BB



CC



DD



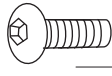
EE

Part	Description	Quantity
AA	Bolt cap (M6)	16
BB	Bolt (M6x30)	8
CC	Bolt (M6x35)	8
DD	Washer (M6)	16
EE	Hex wrench	1

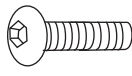
Table



AA



FF



GG



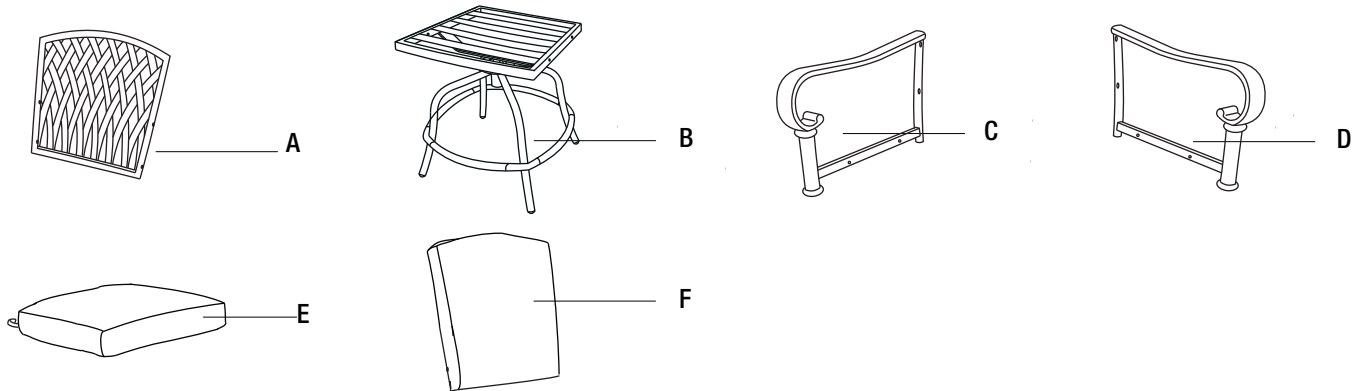
DD

Part	Description	Quantity
AA	Bolt cap (M6)	17
FF	Bolt (M6x15)	16
GG	Bolt (M6x40)	1
DD	Washer (M6)	17

Pre-Assembly

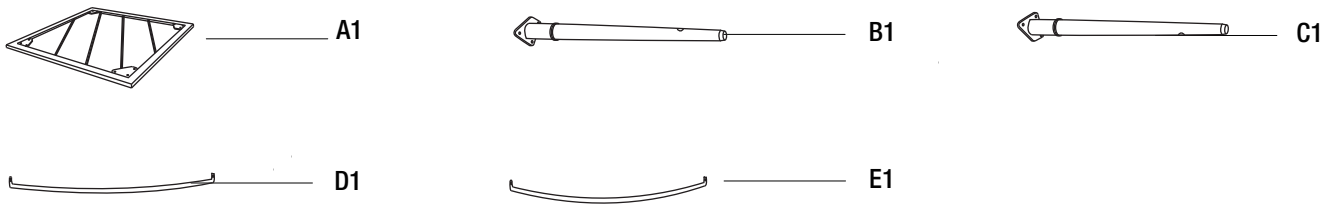
PACKAGE CONTENTS

2 Piece Balcony Height Swivel Chairs



Part	Description	Quantity
A	Back panel	2
B	Chair base and seat panel	2
C	Right armrest	2
D	Left armrest	2
E	Seat cushion	2
F	Back cushion	2

Table



Part	Description	Quantity
A1	Table top	1
B1	Table leg 1	2
C1	Table leg 2	2
D1	Cross bar 1	1
E1	Cross bar 2	1

Assembly

1 Attaching the armrests

- Place the chair base of part (B) on a flat, smooth surface.
- Identify the front side (curved side) and the rear side (straight side) of the seat panel of part (B).
- Attach the armrests (C) and (D) to the seat panel of part (B) with washers (DD) and bolts (BB) using hex wrench (EE). (Fig.1)



IMPORTANT: Do not fully tighten bolts until the end of step 2.

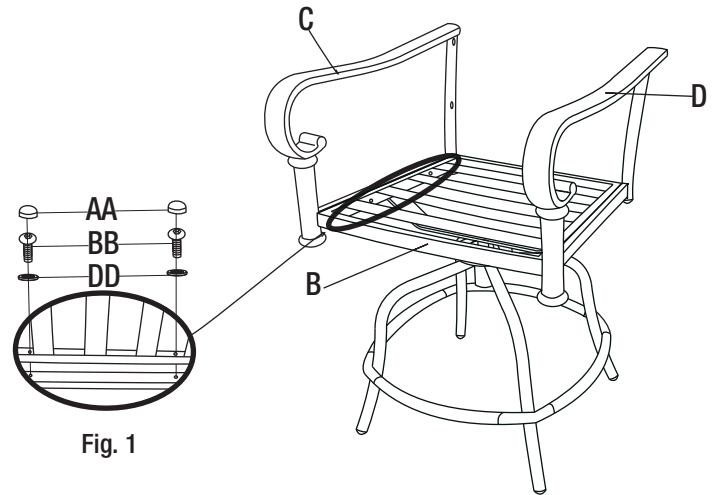


Fig. 1

2 Attaching the back panel

- Attach the back panel (A) to the armrests (C) and (D) with washers (DD) and bolts (CC) using hex wrench (EE). (Fig.2)
- Fully tighten all bolts (BB) and (CC) once all bolts are in place. Cover all bolts (BB) and (CC) with bolt caps (AA). (Fig. 1 and Fig. 2)

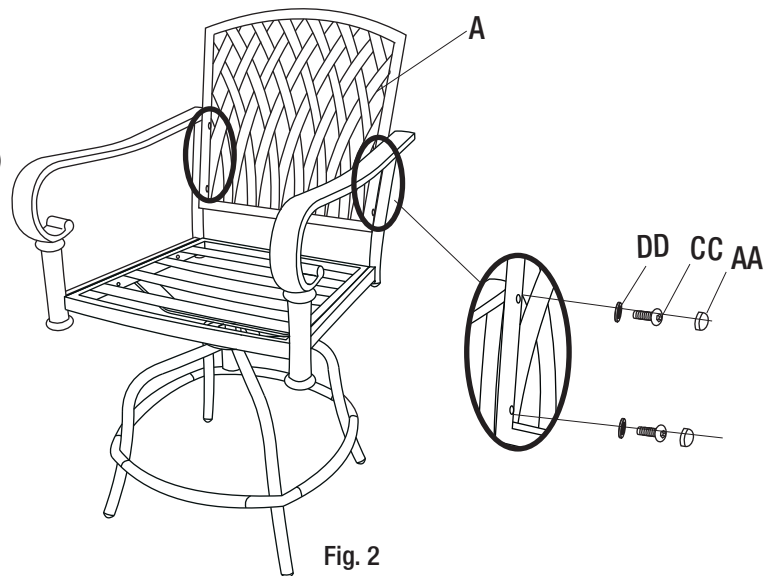
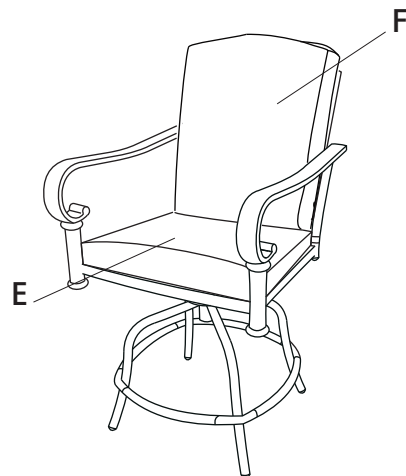


Fig. 2

3 Placing cushions

- Place the cushions (E) and (F) on the chair.
- Secure the seat cushion (E) on the frame with hook and loop straps.
- Repeat step 1 through 3 for the other chair.



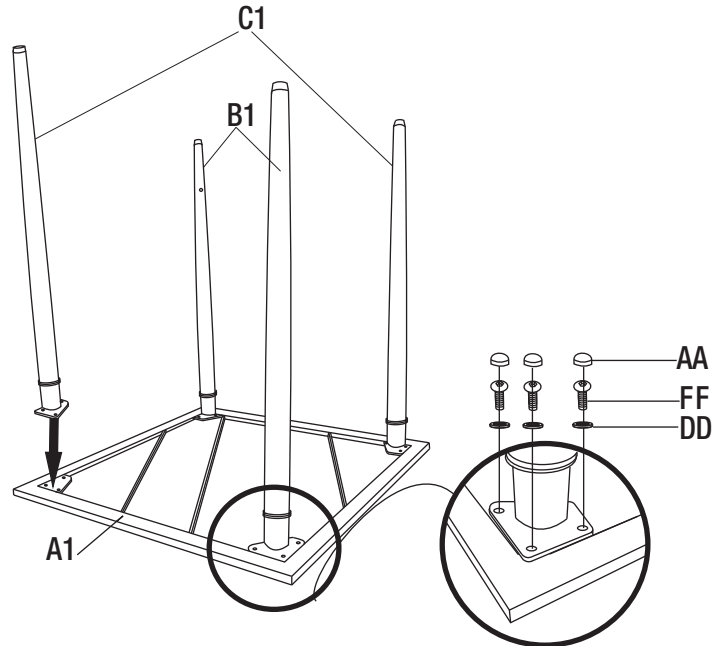
Assembly (continued)

4 Attaching the table legs

- Place the table top (A1) upside down on a flat, smooth surface.
- Attach table legs (B1) and (C1) to the table top (A1) with washers (DD) and bolts (FF) using hex wrench (EE). (Fig.4)

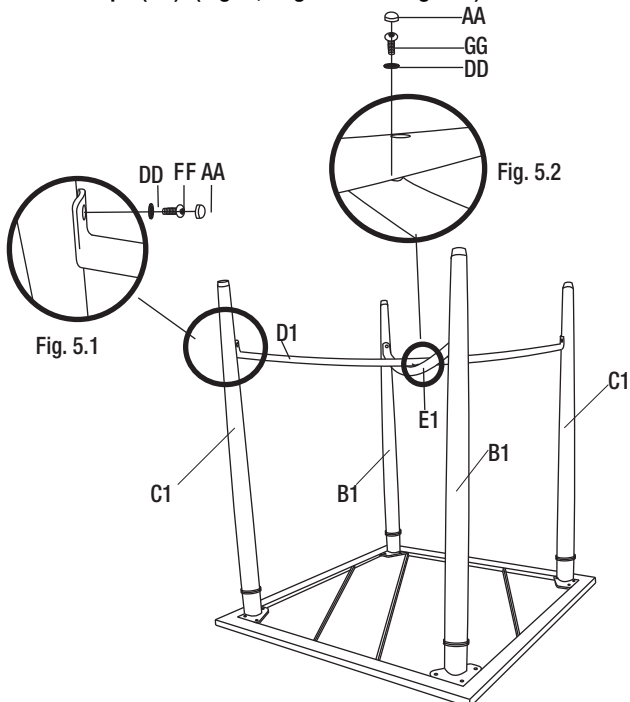


IMPORTANT: Do not fully tighten bolts until the end of step 5.



5 Attaching the cross bars

- Join two table legs (B1) with cross bar (E1) with washers (DD) and bolts (FF).
- Join two table legs (C1) with cross bar (D1) with washers (DD) and bolts (FF). (Fig. 5.1)
- Secure the cross bar (D1) and (E1) with washers (DD) and bolt (GG). (Fig. 5.2)
- Fully tighten all bolts (FF) and (GG) and cover them with bolt caps (AA). (Fig. 4, Fig. 5.1 and Fig. 5.2)



6 Stabilizing the table

- Turn the table upright.
- Level the table with foot glides.





Questions, problems, missing parts? Before returning to the store,
call Hampton Bay Customer Service
8.00 a.m. - 7.00 p.m. EST, Monday - Friday,
9.00 a.m. - 6.00 p.m. EST, Saturday

1-855-HD-HAMPTON

HAMPTONBAY.COM

Retain this manual for future use.