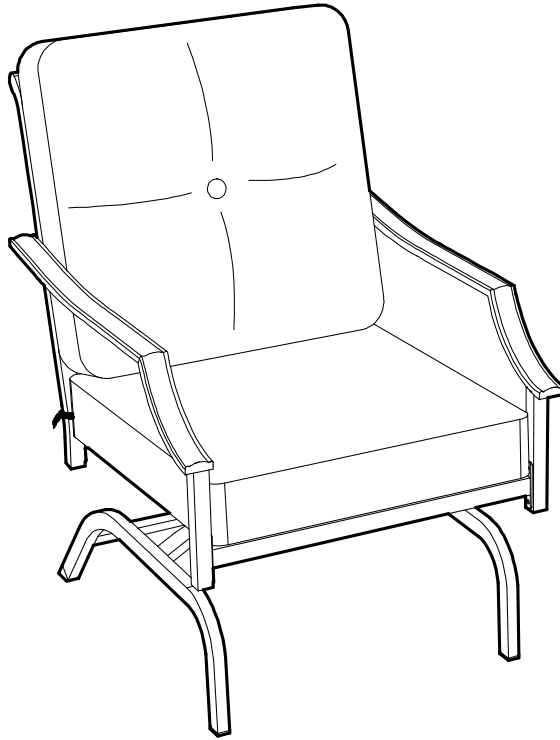


ASSEMBLY INSTRUCTION
ITEM#: L-DN2235SST-B-C



We have you in mind, let us help you!

*** DO NOT RETURN YOUR PRODUCT TO THE STORE ***

Contact US FIRST

24 / 7
Toll Free 

1-(866)-578-6569

24 / 7
Live Chat

 **Support** www.sunjoyonline.com

24 / 7


customer.care@sunjoygroup.com

Safety Information

- One people are required for this assembly.
- Some parts may contain sharp edges. Wear protective gloves.
- When assembling and using this product, basic safety precautions should always be followed to reduce the risk of personal injury and damage to equipment. Please read all instructions before assembly and usage.



CAUTION: Chair is for setting purpose only. Standing on or misuse of chair may result in damage or injury. Not intended for commercial use. **WEIGHT LIMIT 250LBS(113.5KG)**

NOTICE: For outdoor use only.



WARNING:

Keep all children and pets away from assembly area. Children and pets should be supervised when they are in the area of the Chair construction.

Keep assembly area at least 6 feet from any obstruction such as a fence, garage, house, overhanging branches, laundry line or electrical wires.

Check all bolts for tightness before use. IMPORTANT - check and tighten bolts often to keep them secure!

Warranty: 1 Year

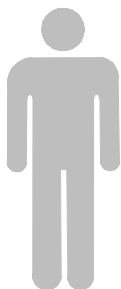
WHAT IS COVER?

The limited warranty is extended to the original purchaser and applies to material and manufacturer's defect provided the item is maintained with care and used only for personal, residential purposes.

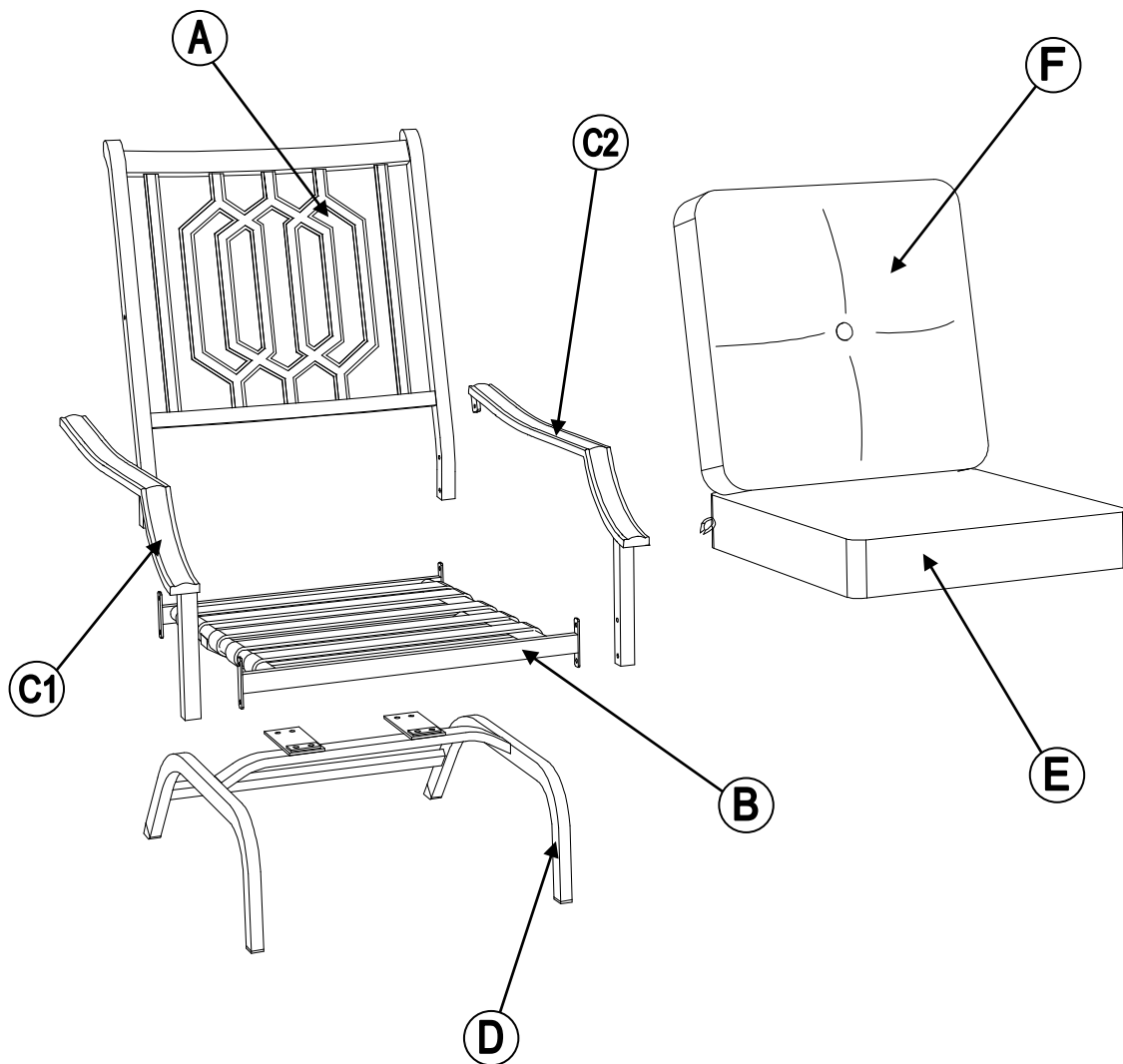
IMPORTANT

KEEP THIS INSTRUCTION MANUAL FOR FUTURE REFERENCE.

How many people needed for the installation work

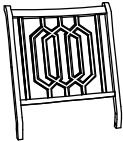
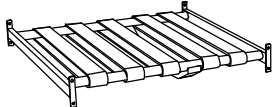


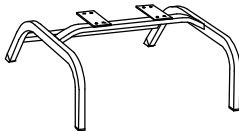

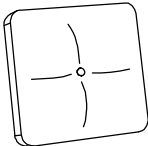





EXPLODED DRAWING



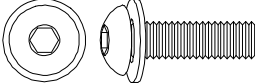


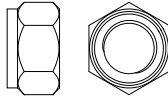

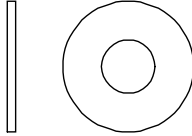
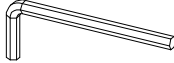

Country of Origin: China

Call 1-(866)-578-6569 for assistance.
Or visit us at www.sunjoyonline.com

Parts List				
Label	Part Number	Description	Qty	Part Image
A	P30125A01180	Back	4	
B	P30227A01180	Seat	4	
C1	P30046A01180	Handrail (Right)	4	
C2	P30047A01180	Handrail (Left)	4	
D	P31214A01180	Chair Base	4	
E	P00415H14122	Cushion	4	
F	P00501H12122	Back Cushion	4	
G	P91008C07001	Foot pad Pre-assembled	8	
H	P91009C07001	Foot pad Pre-assembled	8	
J	P12504E07001	Plastic plug Pre-assembled	8	

Country of Origin: China

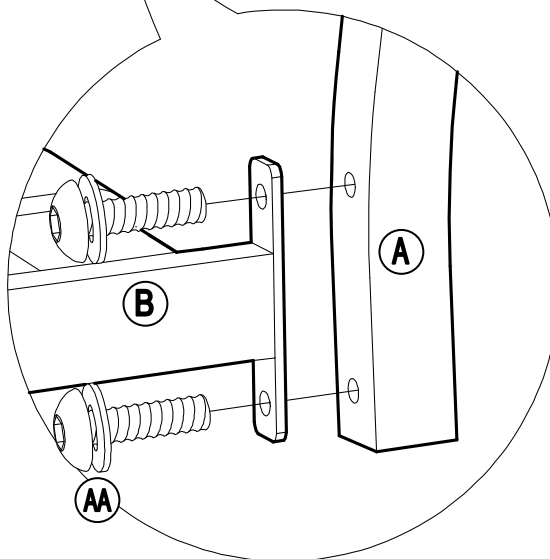
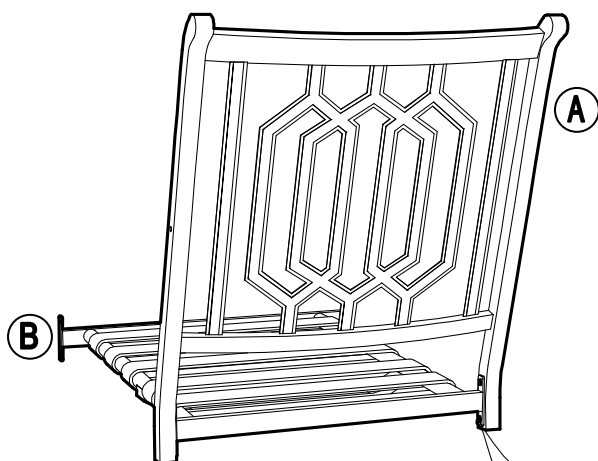
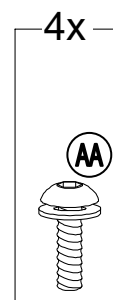
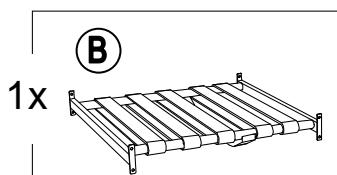
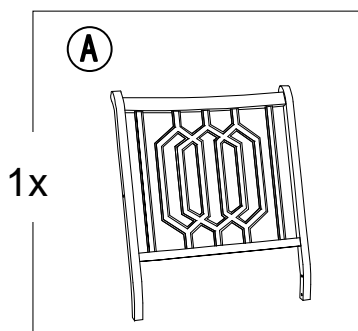
Call 1-(866)-578-6569 for assistance.
Or visit us at www.sunjoyonline.com

Hardware Pack					
Label	Part Number	Description	Qty	Add	Part Image
AA	H06020C11	Bolt M6*20	40	1	
BB	H01040C11	Bolt M8*40	16	1	
CC	P31601A01100	Big washer	16	1	
DD	H22001D11	Nut M8	16	1	
EE	H13001D11	Spring Washer M8	16	1	
FF	H12001D11	Flat washer M8	16	1	
GG	H00002C12	Allen Key Size 4	1	0	
HH	H00001D12	Wrench M8	2	0	

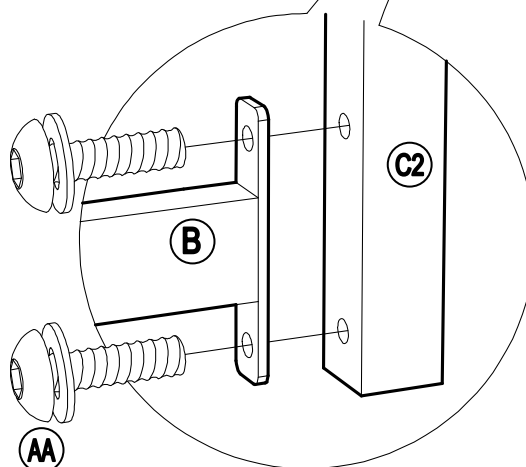
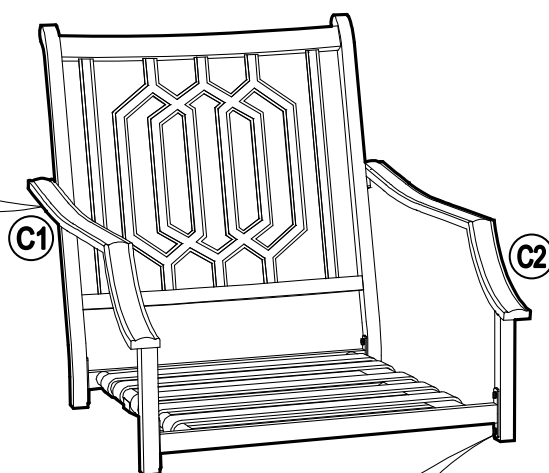
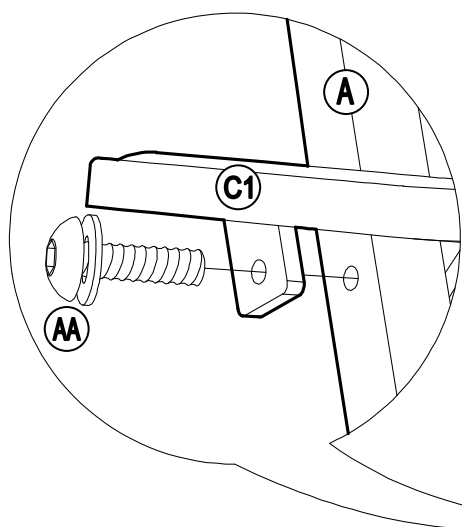
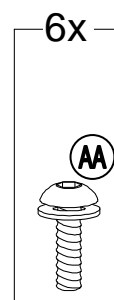
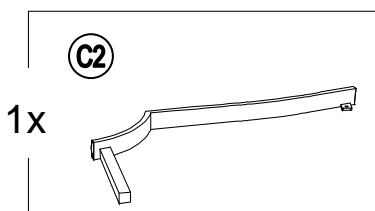
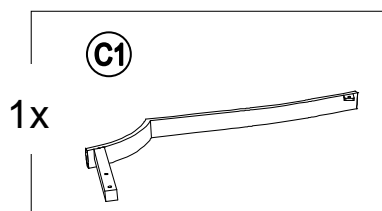
Country of Origin: China

Call 1-(866)-578-6569 for assistance.
Or visit us at www.sunjoyonline.com

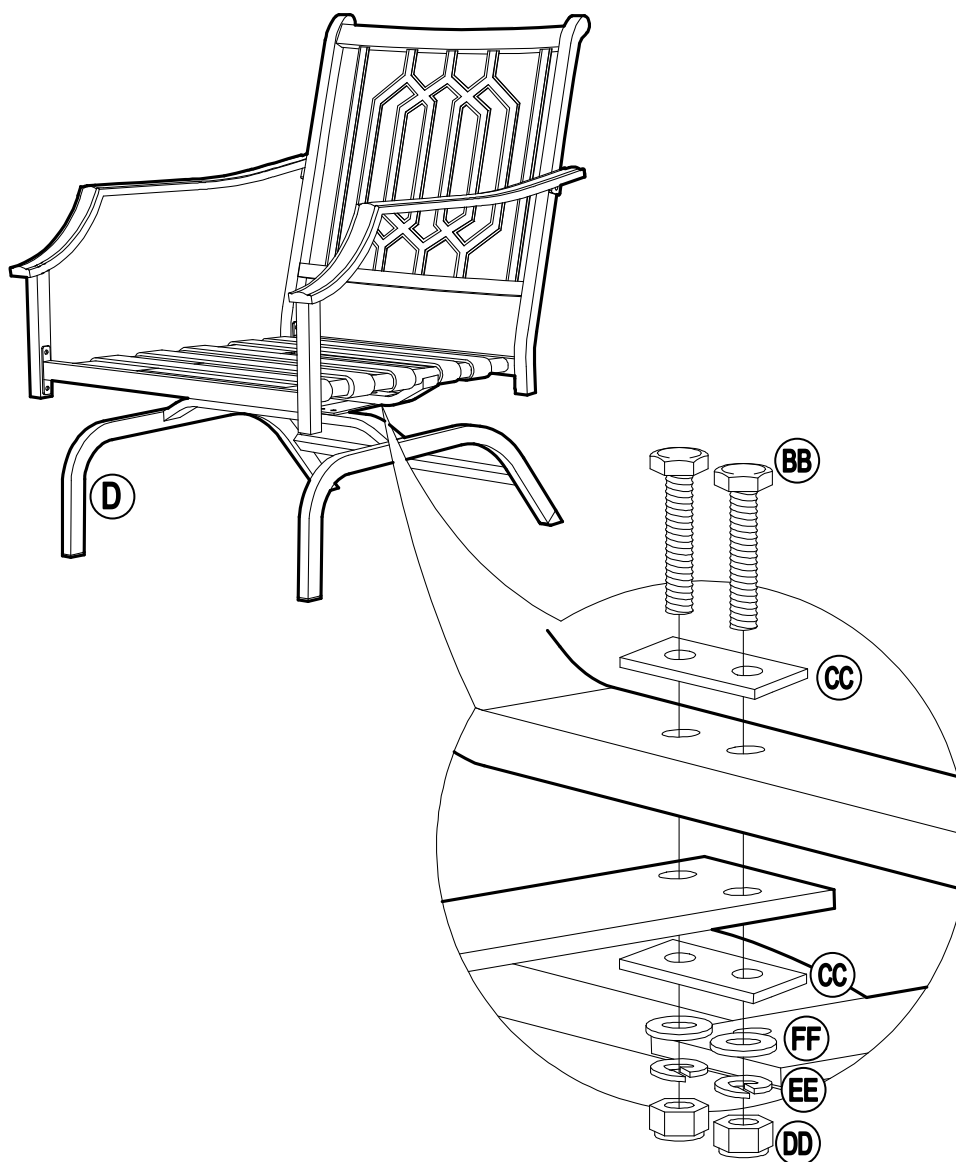
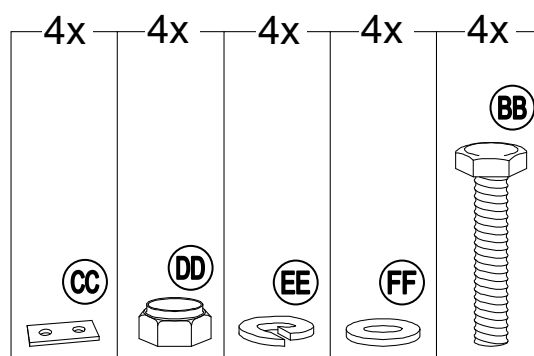
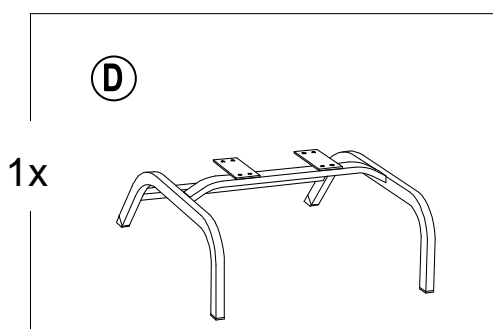
1



2



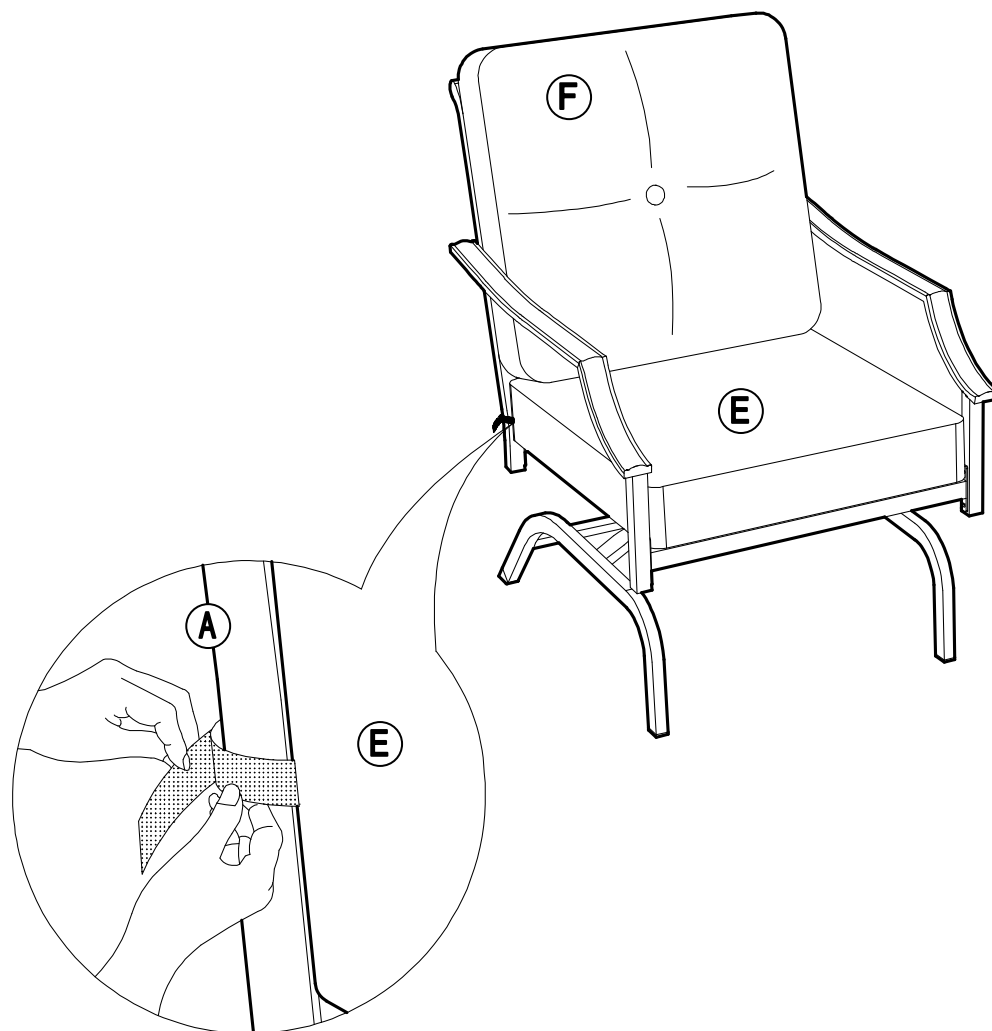
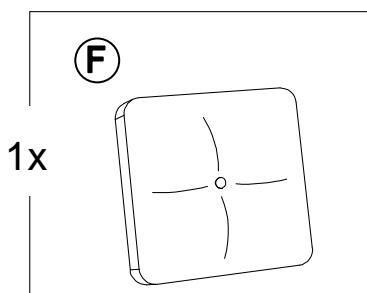
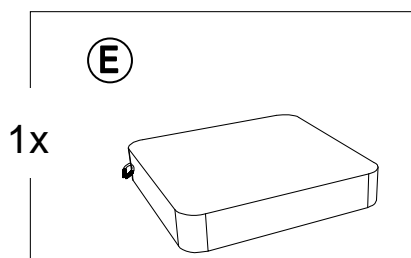
3



Country of Origin: China

Call 1-(866)-578-6569 for assistance.
Or visit us at www.sunjoyonline.com

4



Care and Maintenance

Before using, clean the Chair completely with a soft dry towel. When not in use, wipe free of any dirt or loose objects, wash with a mild solution of soap and water; rinse thoroughly and dry completely. Do not use strong detergent or abrasive cleaners. Over time nuts and bolts can loosen. Occasionally, check nuts and bolts, re-tighten if necessary.

Limited Manufacturer's Warranty

SUNJOY Group warrants to the original purchaser that this item is free from defects in workmanship and materials for a period of 1 year from the date of purchase, provided the item was factory-sealed at the time of purchase and is maintained with care and used only for personal, residential purposes. Should any manufacturing defect arise within this warranty period, SUNJOY Group will replace (at our option) any defective merchandise or parts upon proof of purchase; however, transportation and delivery costs, as well as payments to a third party for assembly or disassembly of the item, remain the responsibility of the purchaser. A purchaser of an "open box," previously-returned, or "clearance" item, as well as original purchasers outside of the warranty period, may obtain replacement parts from SUNJOY Group for products in current production, at nominal cost.

Exclusions:

Items used for commercial, contract, or other non-residential purposes, or items damaged due to acts of nature, vandalism, misuse, or improper assembly are not covered. Corrosion or rusting of hardware is not covered. Proof of purchase (dated register receipt) is required for warranty claims. Warranty is to the original purchaser and is non-transferable. Any replacement of warranted items will be in the original style and color, or a similar style and color if the original is unavailable or has been discontinued. As some states do not allow exclusions or limitations on an implied warranty, the above exclusions and limitations may not apply. This warranty gives you specific rights, and you may also have other rights, which vary from state to state.

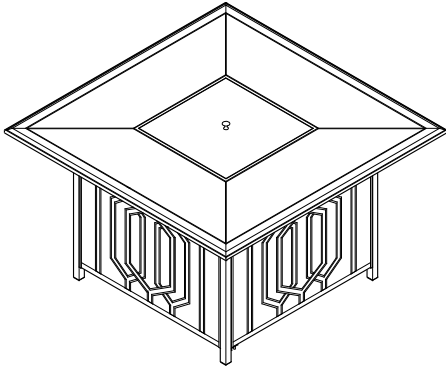
HD PROVENCE 5PC GAS FIRE PIT TABLE

Assembly Instruction

Item# L-DN2235SST-B-T

⚠ WARNING: For Outdoor Use Only.
Installation and service must be performed by a qualified installer, service agency, or the gas supplier.

INSTALLER: Leave this manual with the appliance.
CONSUMER: Retain this manual for future reference.



⚠ DANGER
FIRE OR EXPLOSION HAZARD

If you smell gas:

1. Shut off gas to the appliance.
2. Extinguish any open flame.
3. If odor continues, leave the area immediately
4. After leaving the area, call your gas supplier or fire department.

Failure to follow these instructions could result in fire or explosion, which could cause property damage, personal injury, or death.



Propane cylinder required (not included)
1 AA 1.5V battery required (not included)

⚠ WARNING: If the information in this manual is not followed exactly, a fire or explosion may result causing property damage, personal injury, or loss of life.

⚠ WARNING

Do not store or use gasoline, or other flammable vapors and liquids, in the vicinity of this or any other appliance.

An LP-cylinder not connected for use shall not be stored in the vicinity of this or any other appliance.

⚠ DANGER

CARBON MONOXIDE HAZARD



This appliance can produce carbon monoxide which has no odor. Using it in an enclosed space can kill you.

Never use this appliance in an enclosed space such as a camper, tent, car or home.

This appliance complies with "ANSI Z21.97-2017/CSA 2.41-2017, Outdoor Decorative Gas Appliances.

IMPORTANT, RETAIN FOR FUTURE REFERENCE: READ CAREFULLY

For Outdoor Use only. Not for Commercial Use.

TABLE OF CONTENTS

General information	2
Specification.....	3
Important safety information and precaution.....	3-4
Expanded view.....	5
Parts list.....	6-7
Installation.....	8-15
Location.....	16
Set up.....	16
Gas connection	16
Operation.....	17
Leak check.....	17
Ignite lighting.....	17
Storage and Maintenance.....	18
Trouble shooting	19
Limited warranty.....	19

WARNING : Failure to position the parts in accordance with these diagrams or use only parts specifically approved with this appliance may result in property damage or personal injury.

WARNING: This product can expose you to Carbon Monoxide, which is known to the State of California to cause birth defects or other reproductive harm. For more information go to www.P65Warnings.ca.gov

GENERAL INFORMATION

IMPORTANT

Please take time to read these instructions thoroughly and follow each step carefully for safe and easy operation. Keep this manual to consumer for installer and consumer future reference/use.

We would like to hear from you with any comments or suggestions. In the continental U.S., you can call Sunjoy Toll Free number: 1-866-578-6569 **at any time.**

You can also send us an email to customer.care@sunjoygroup.com

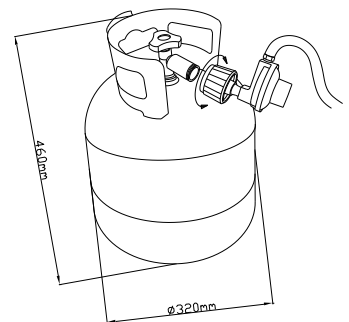
SPECIFICATION

Product name	HD PROVENCE 5PC GAS FIRE PIT TABLE
Model NO.	L-DN2235SST-B-T
Rated Heat Output	26,000BTU/HR
Fuel	Propane-LP
Gas Supply	20 lb. LP-Gas cylinder
Manifold Pressure	11 Inches W.C.
Orifice Size (diameter)	1.57mm
Gas Supply Pressure	Max.250 PSI Min.25 PSI

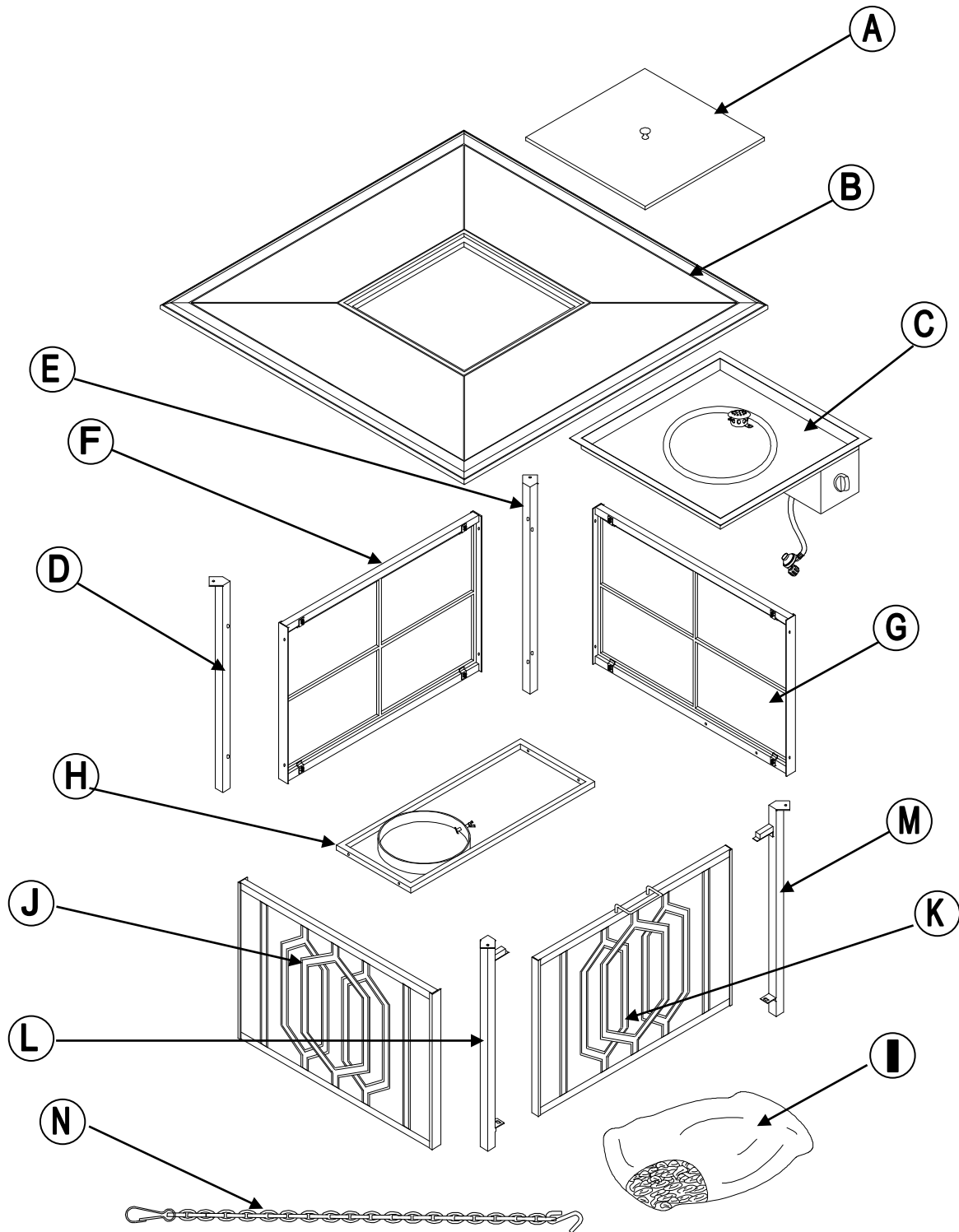
IMPROTANT SAFETY INFORMATION AND PRECAUTION

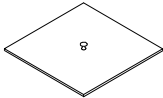
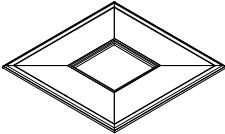
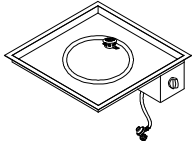


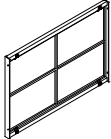
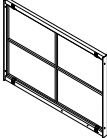
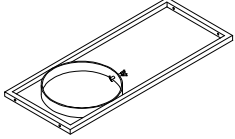

- The installation must conform with local codes, or in the absences of local codes with the *National Fuel Gas Code, ANSI Z223.1/NFPA54*; International Fuel Gas Code, Natural Gas and Propane Installation Code, CSA B149.1; or Propane Storage and Handling Code, B149.2, as applicable.
- The LP gas supply cylinder to be used must be:
 - 1- Constructed and marked in accordance with the U.S. Department of Transportation (D.O.T.) Specifications for LP-Gas Cylinders, or the Standard for Cylinders, Spheres and Tubes for transportation of Dangerous Goods and Commission, CAN/CSA-B339 as applicable;
 - 2- Provided with a listed overfilling prevention device;
 - 3- Provided with a cylinder connection device compatible with the connection for the appliance.
- Always place the appliance on a firm and level surface.
- Solid fuels shall not be burned in this gas appliance. When using decorative Lava Rocks, use only Lava Rocks (INCLUDED).
- The appliance shall be used only outdoors in a well-ventilated space and shall not be used in a building, garage or any other enclosed area.
- When in use, keep the appliance area clear and at least 40 in / 101.6 cm side, back and top clearance from combustible materials, gasoline and other flammable liquid and vapors. Do not use the appliance under overhead combustible surfaces. Certain items or materials, when stored under the appliance or nearby, will be subjected to radiant heat and could be damaged.
- Open the door and inspect the hose assembly and burner prior to each use. If there is evidence of excessive abrasion or wear or if the hose or burner is damaged, it must be replaced by appropriate part from the manufacturer.
- Inspect the gas connections of the appliance prior to each use. Do not to operate the unit if there is a gas leak. Have the appliance inspected annually by a qualified service person.


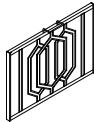
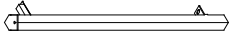


- The pressure regulator and hose assembly provided with the appliance must be used. The replacement part must be the same as the part specified by manufacturer.
- The assembly of LP-gas and leak checking please refer to the “Gas connection” on page 16 and “leak Test” on page 17.
- **Children and adults should be alerted to the hazards of high surface temperatures and should stay away to avoid burns or prevent clothing ignition.**
- **Young children and pets should be carefully supervised when they are in the area of the appliance.**
- **Any guard or other protective device removed for servicing the appliance must be replaced prior to operation.**
- **Clothing or other flammable materials should not be hung from the appliance or placed on or near the appliance.**
- Do not use the appliance if any part has been under water. Immediately call a qualified technician to inspect the appliance and to replace any part of the control system and any gas control which has been under water.
- LP-gas supply cylinder to be used must be constructed and marked in accordance with the specifications for LP-gas cylinders of the U.S. Department of Transportation (DOT).
- The cylinder supplies system must be arranged for vapor withdrawal and the cylinder must include a collar to protect the cylinder valve.
- Use only 20 lb / 9 kg LP-Gas cylinders.
- Do not burn wood or any other materials in this appliance.
- The appliance must be isolated from the gas supply piping system by closing its individual manual shutoff valve during any pressure testing of the gas supply piping system at test pressure equal to or less than 1/2psi (3.5kPa).
- That other cylinder may be acceptable for use with the appliance provided they are compatible with the appliance retention means and accompanied by illustration(s) depicting the cylinder mounted to the appliance utilizing the cylinder retention means and the point of contact between the cylinder and the retention means.
- Properly place the hose out of pathways where people may trip over it or in areas where there may be subject to accidental damage.
- The burner must be replaced prior to the appliance being put into operation if it is evident that the burner is damaged. The replacement burner must be the same as the part specified by manufacturer.
- The cleaning of the appliance including the burner, please refer to “Storage and Maintenance” on page 18.

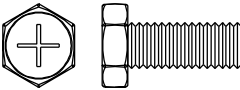
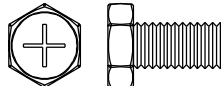
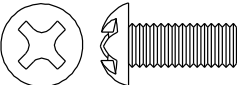
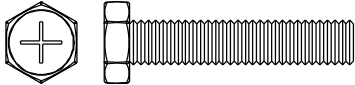
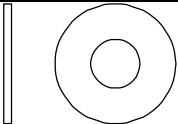



EXPANDED VIEW



Parts List				
Label	Part Number	Description	Qty	Part Image
A	P20722A01180	Lid	1	
B	P31341A01180	Table top	1	
C	P22008A01178	Fire bowl	1	
D	P22328A01180	Leg1	1	
E	P22329A01180	Leg2	1	
F	P21233A01180	Back panel	1	
G	P21150A01180	Side panel1	1	
H	P20813A01180	Tank holder	1	
I	P99903D01002	Lava rock	3kg	

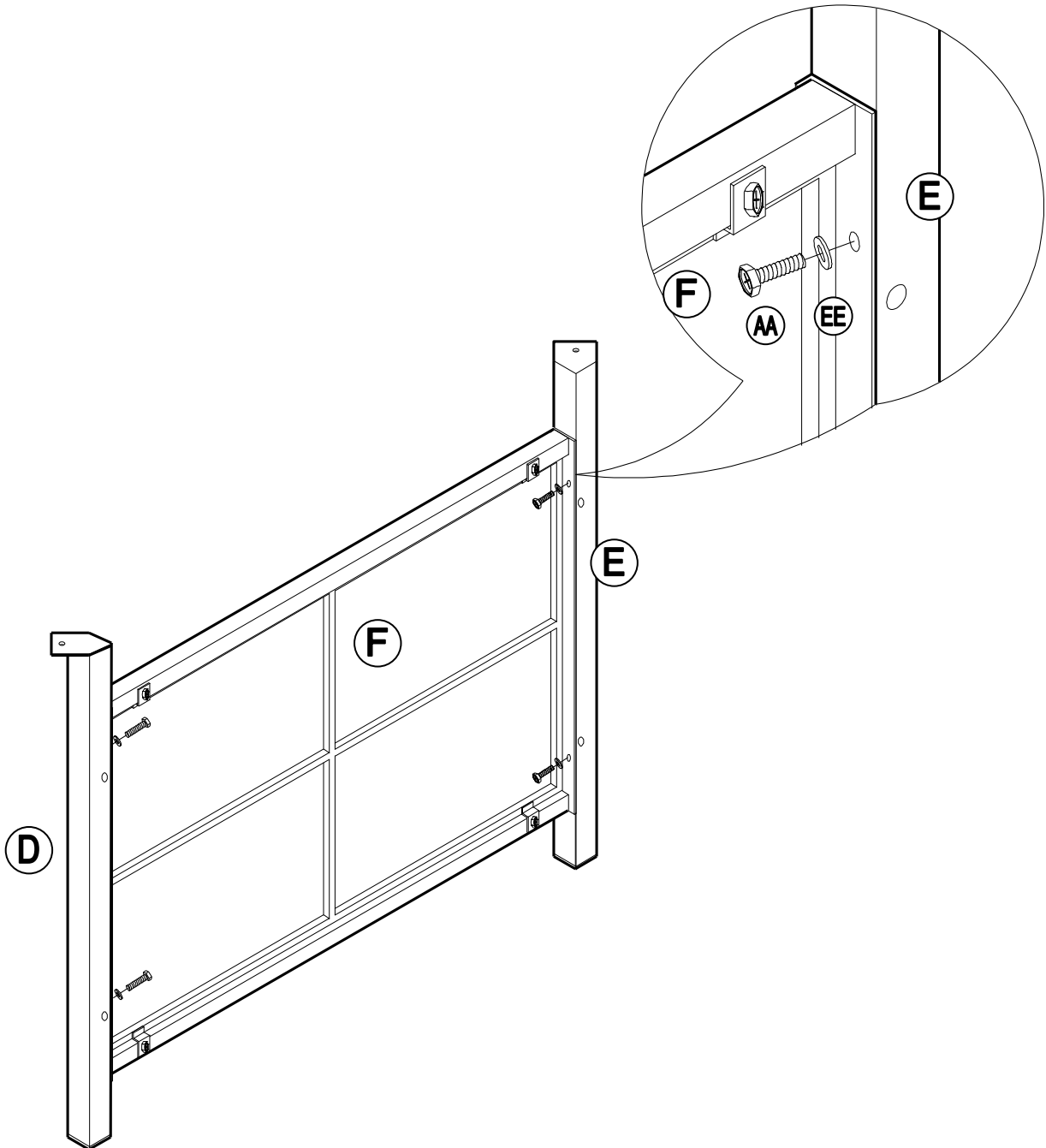
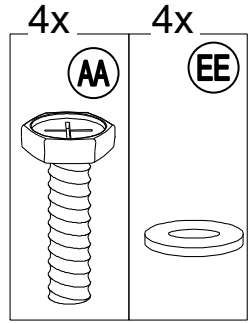
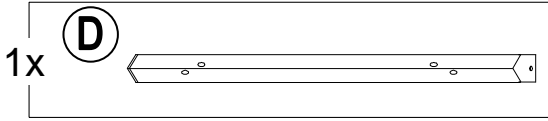
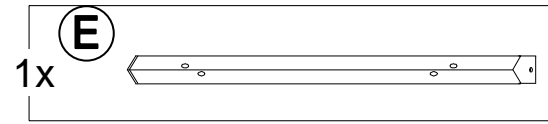
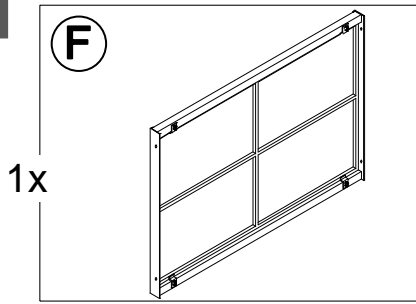
J	P21151A01180	Side panel2	1	
K	P20927A01180	Panel	1	
L	P22330A01180	Leg1	1	
M	P22331A01180	Leg2	1	
N	P23401A01002	Chain	1	

Hardware Pack						
Label	Part Number	Description	Qty	Add	Part Image	
AA	H02015C11	Bolt M6*15	12	2		
BB	H02010C11	Bolt M6*10	4	1		
CC	H09015C11	Bolt M6*15	4	1		
DD	H02030C11	Bolt M6*30	4	1		
EE	H19001C11	Flat washer M6	24	3		
FF	H00001C12	Wrench M6	1	0		

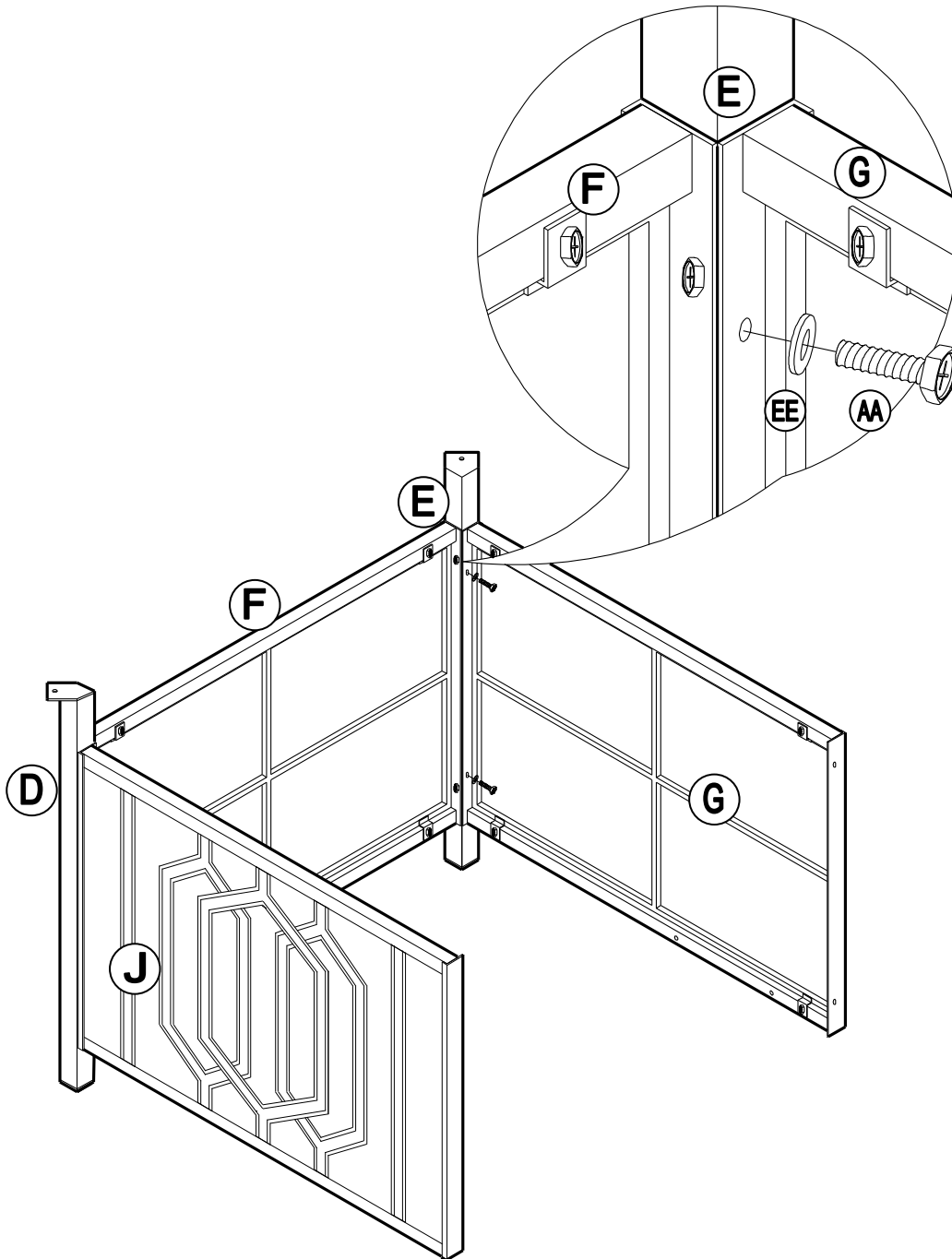
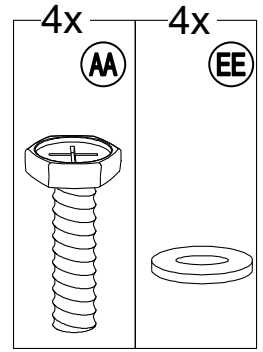
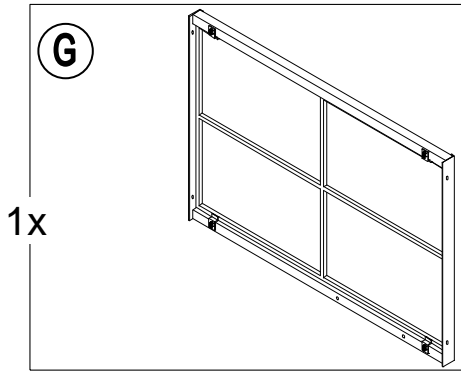
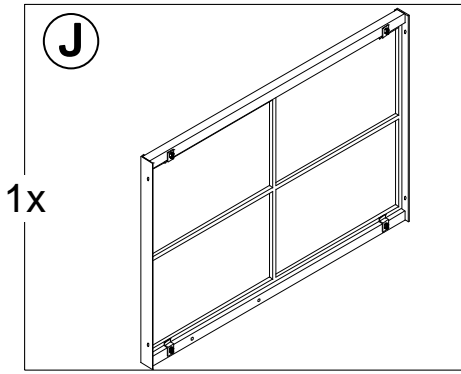
If you want to replace the parts listed, please contact Customer Service Center: 1(866) 578-6569.

INSTALLATION

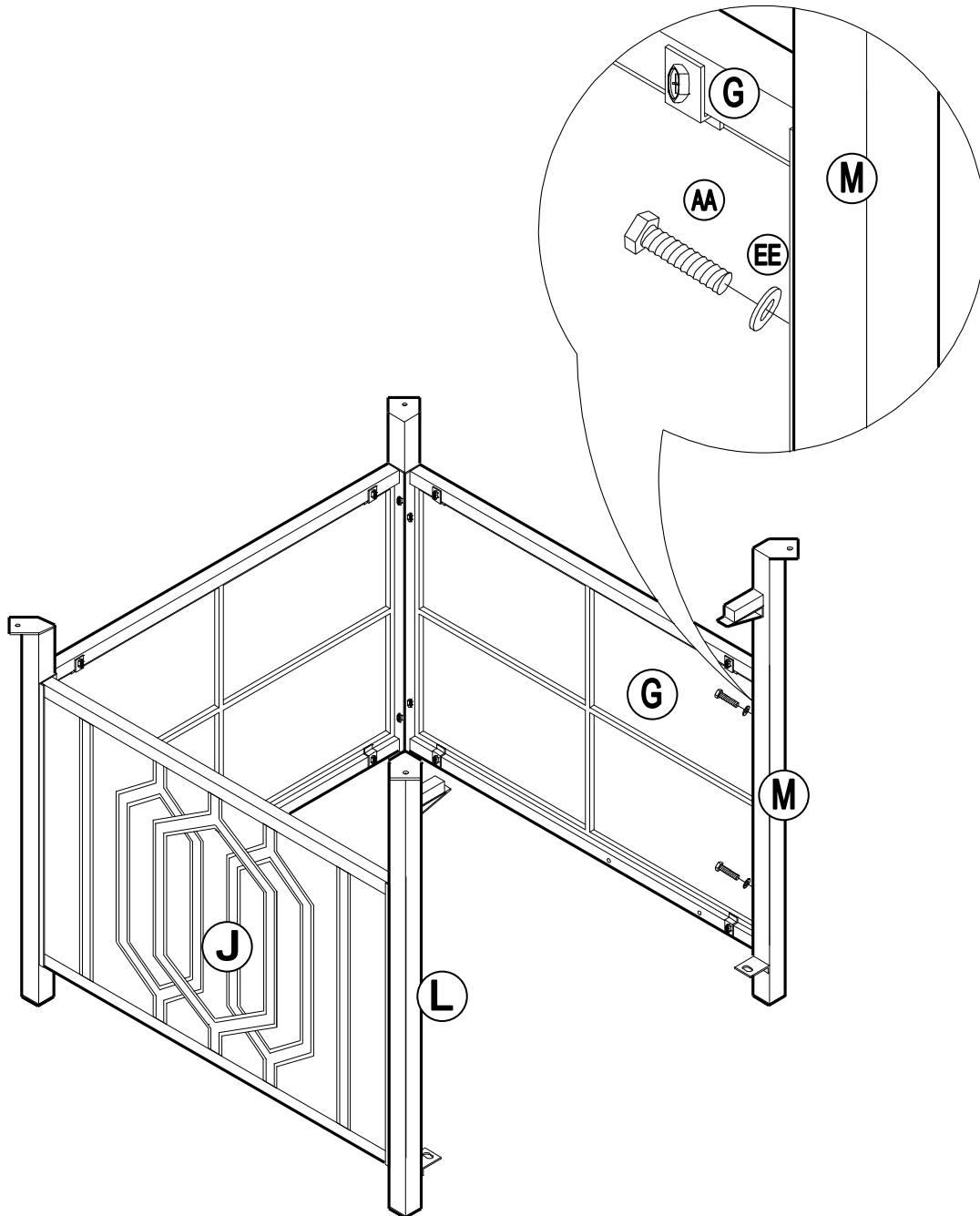
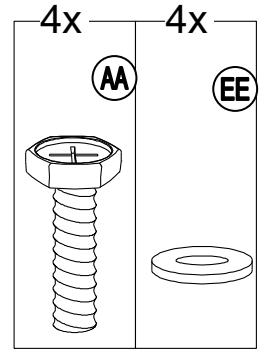
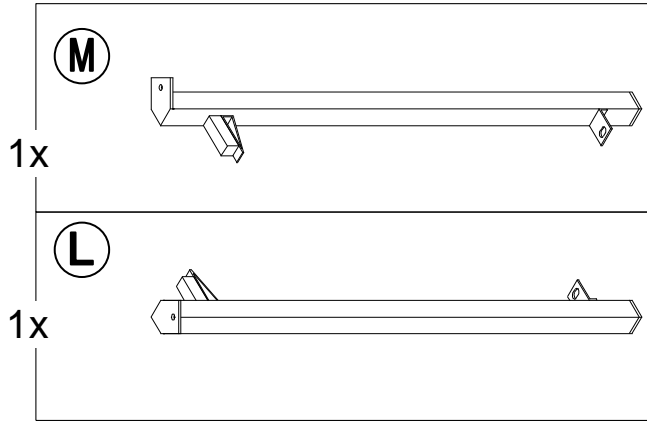
1



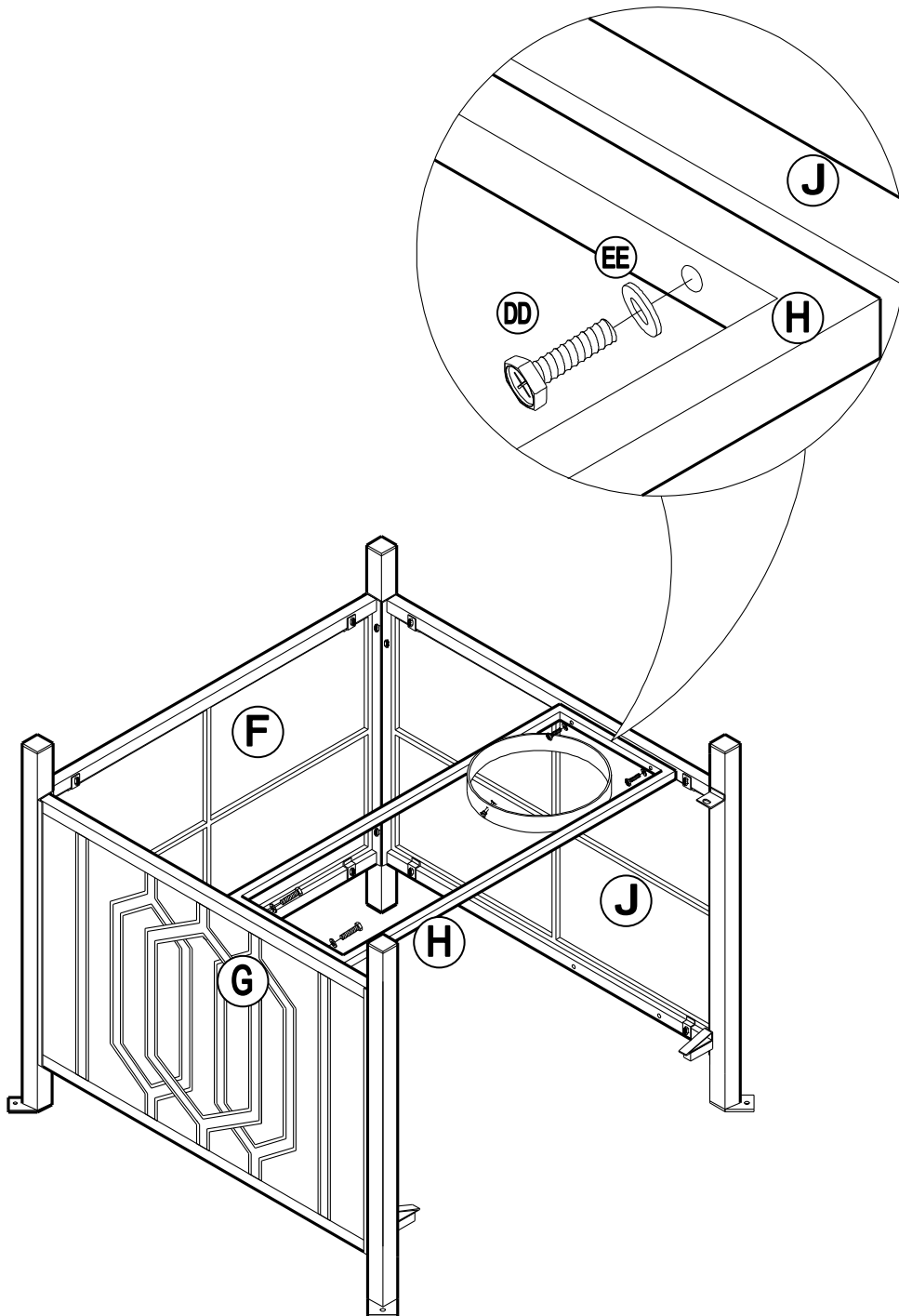
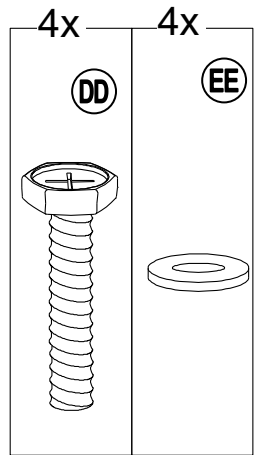
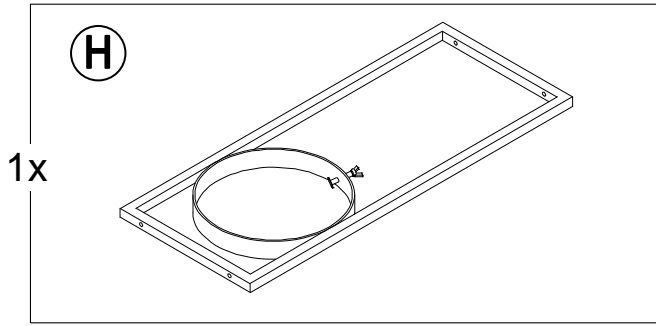
2



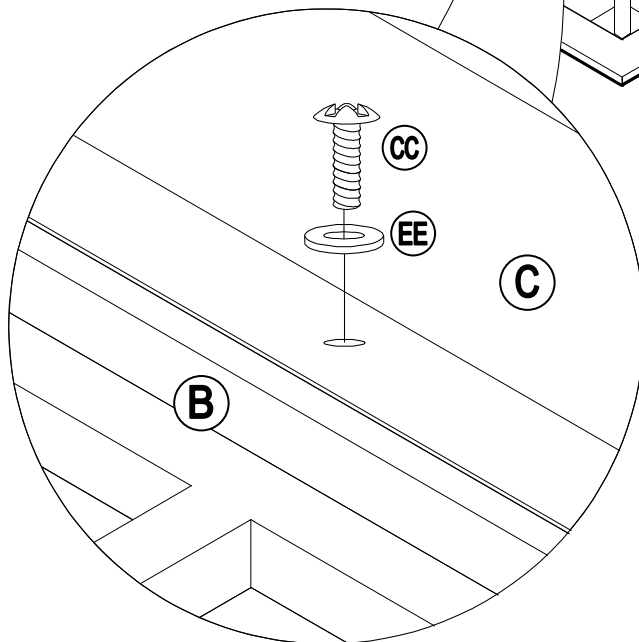
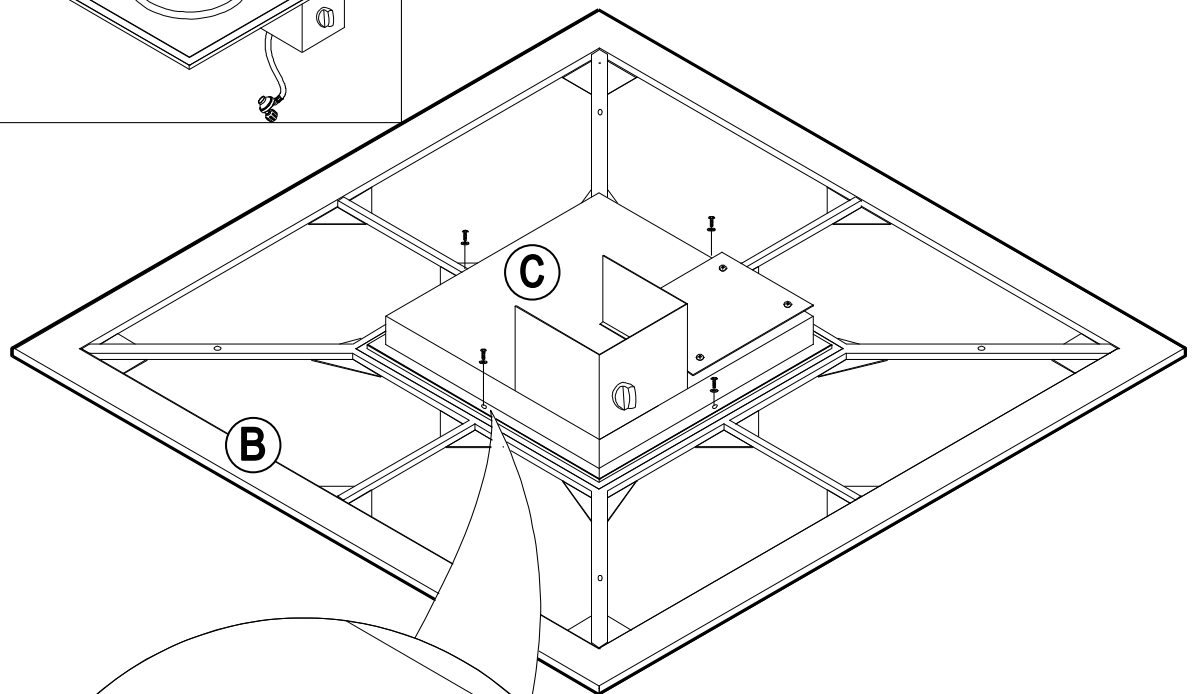
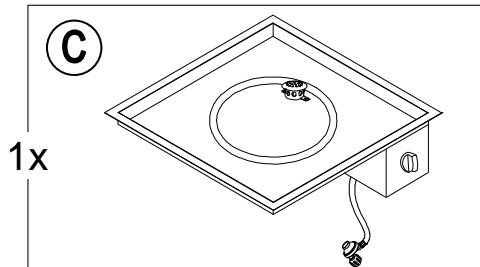
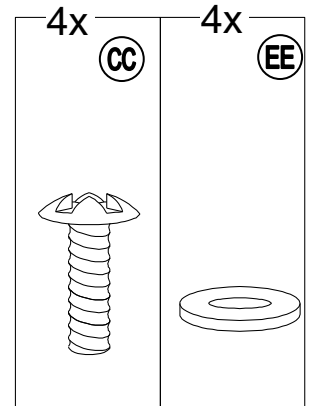
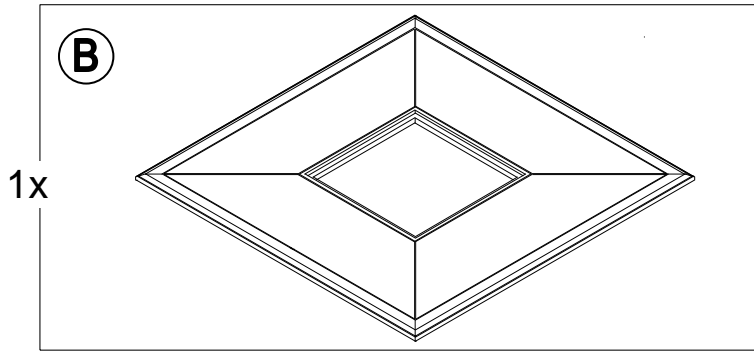
3



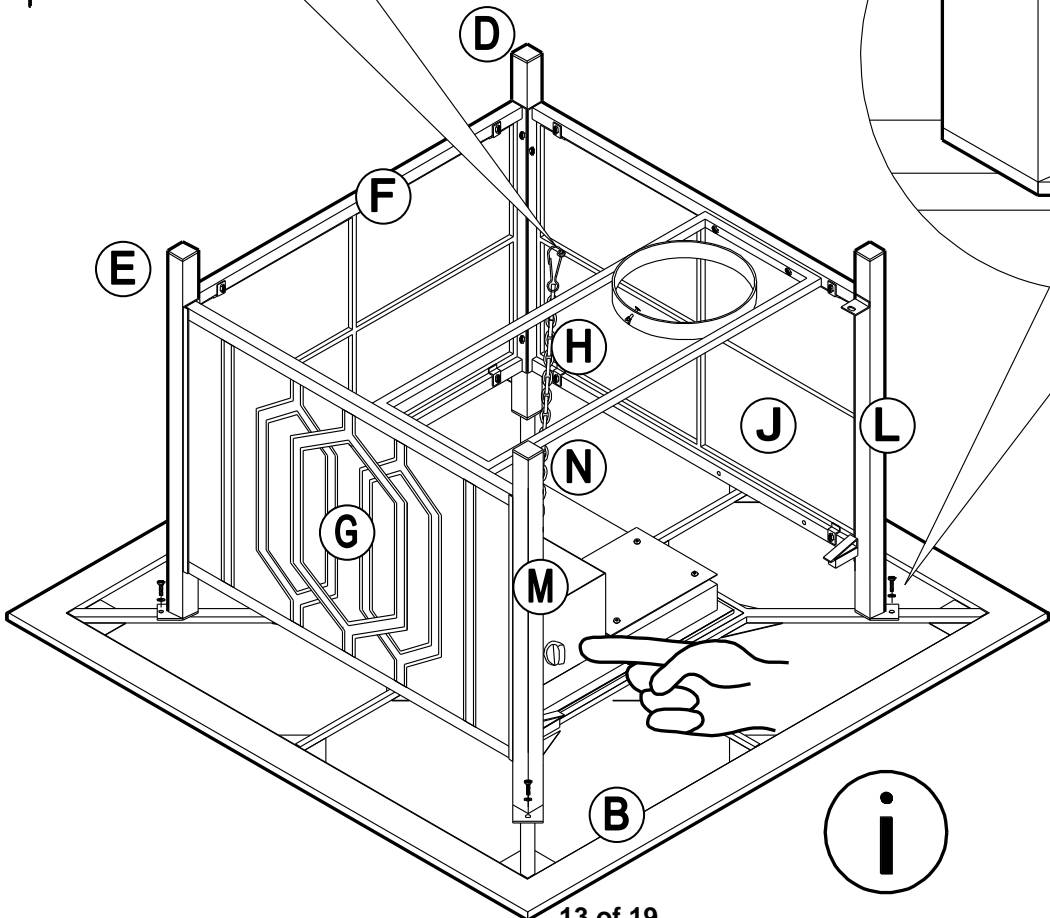
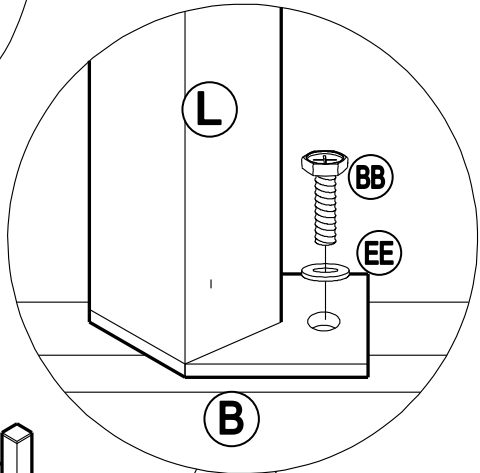
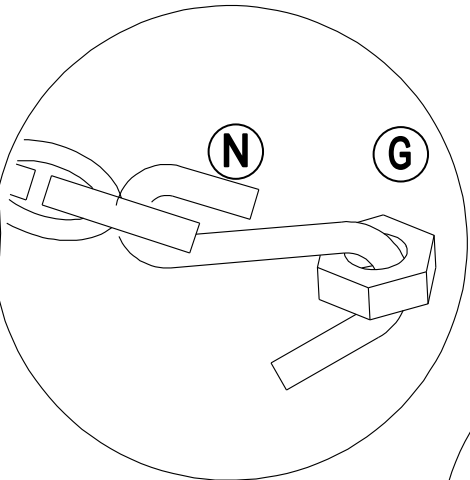
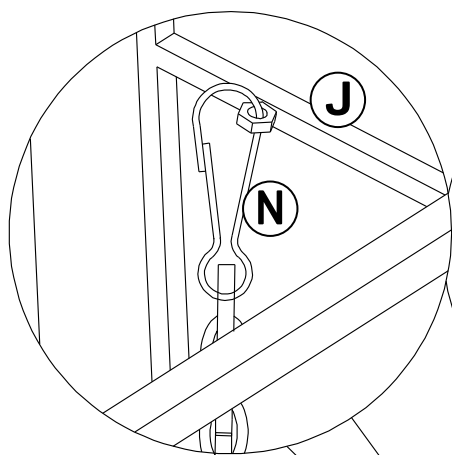
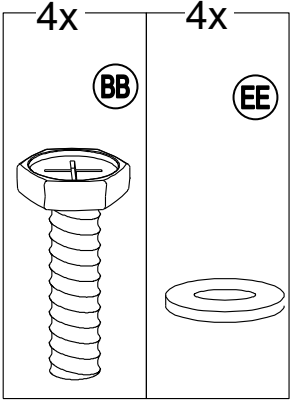
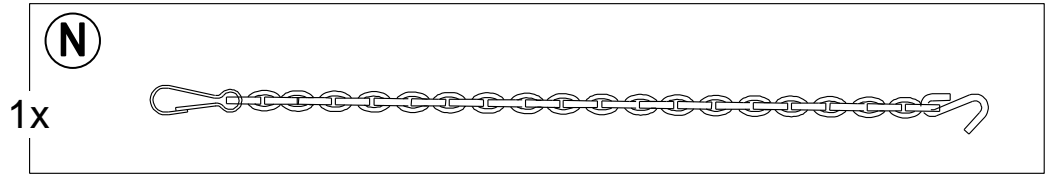
4



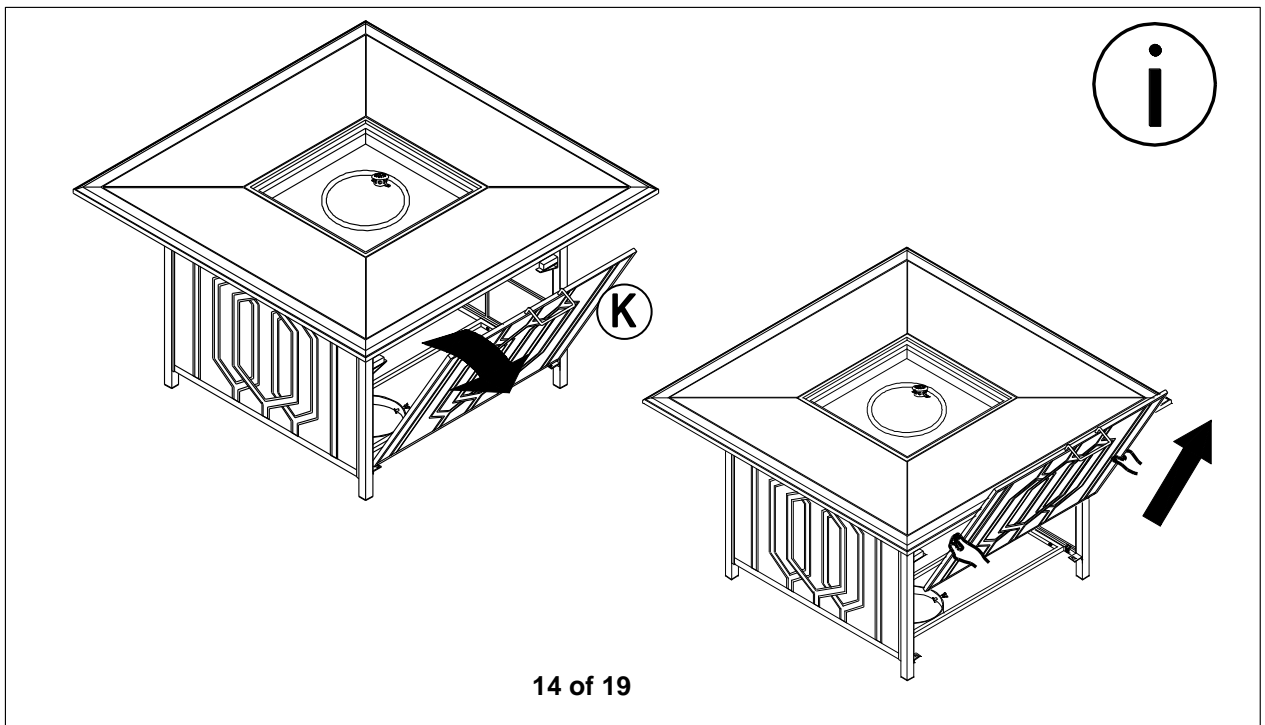
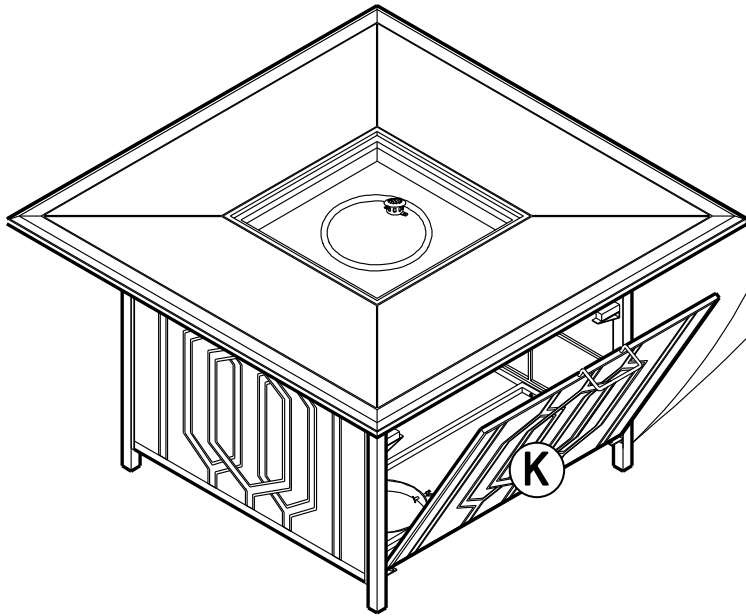
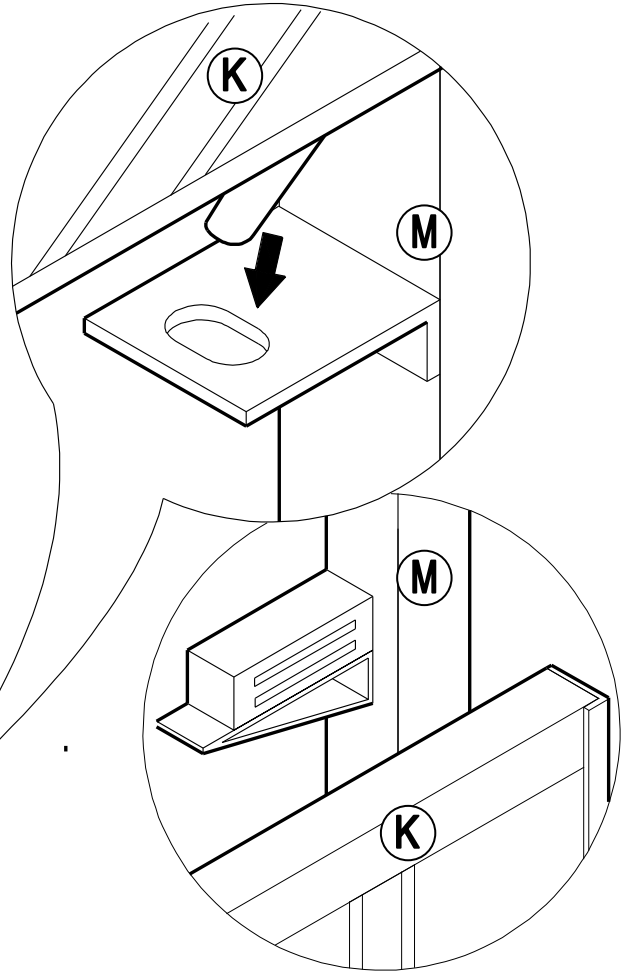
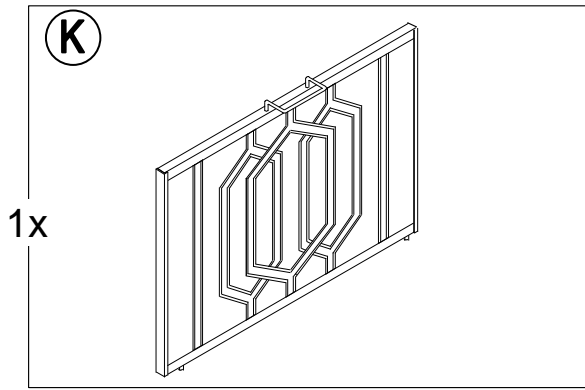
5



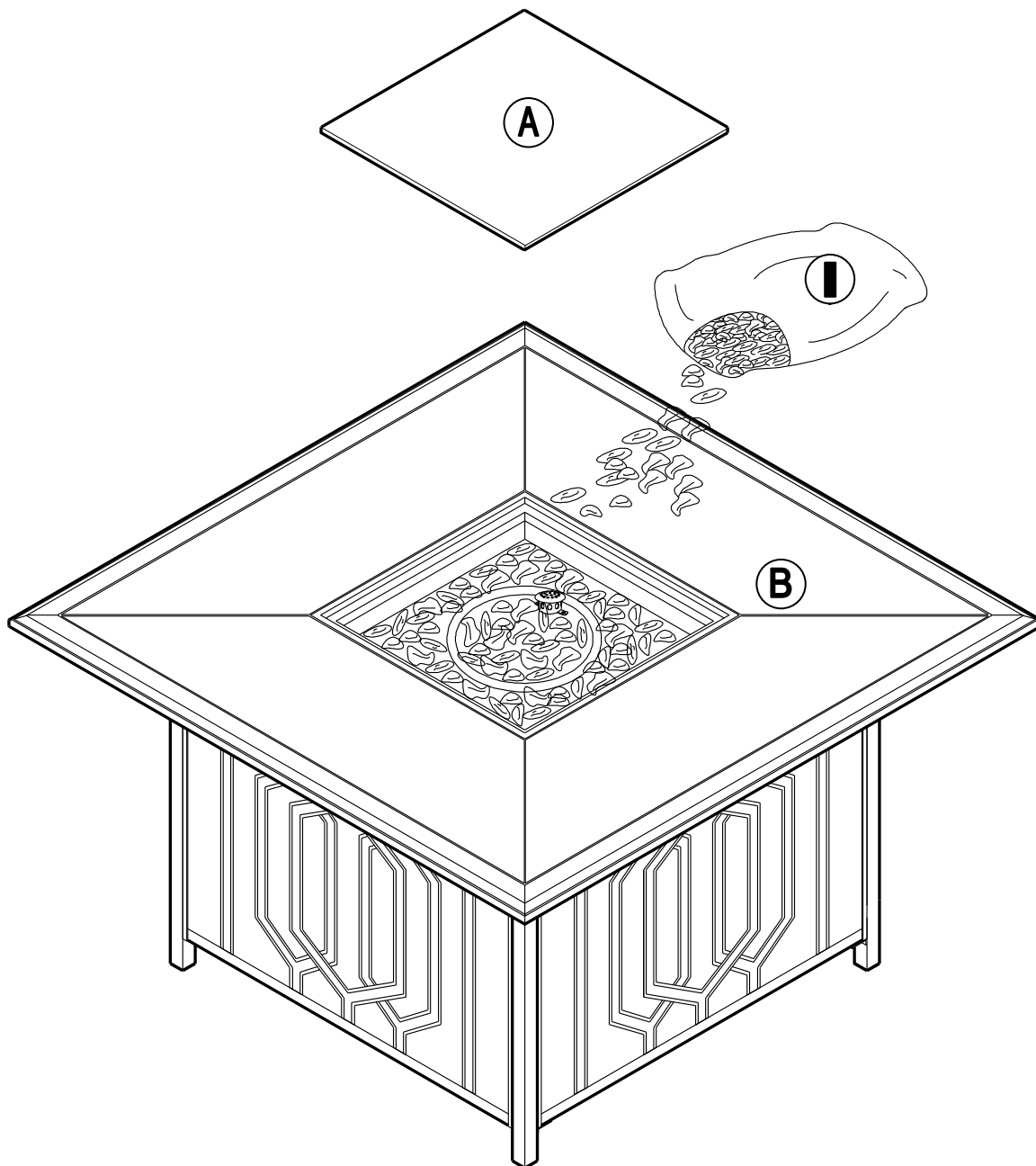
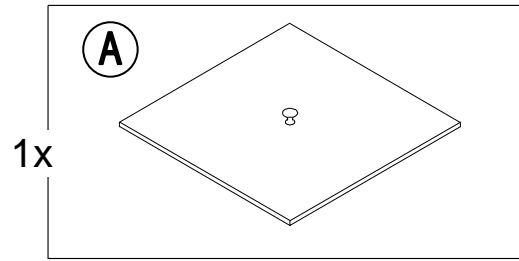
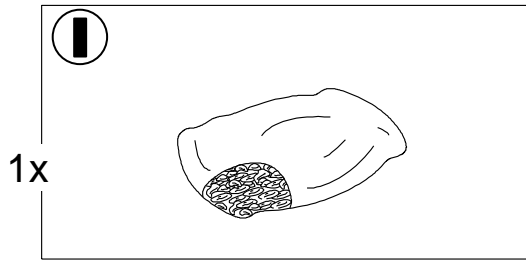
6



7



8



LOCATION

Your Gas appliance must be installed on a flat, stable surface, away from any combustible materials or construction.

SET-UP

Your Gas appliance comes assembled, ready for a Gas connection.

- 1- Remove the appliance from container box and place it on any level, outdoor, non-combustible surface.

NOTE: Do not place this appliance on grass or dirt area. This may prevent proper safety venting.

- 2- Open the gas door and put the cylinder inside.
- 3- Unscrew the battery box as shown in Fig 1. Insert the negative electrode side of the battery into the bottom of battery box as shown in Fig 2. Then screw the battery box as shown in Fig 3.

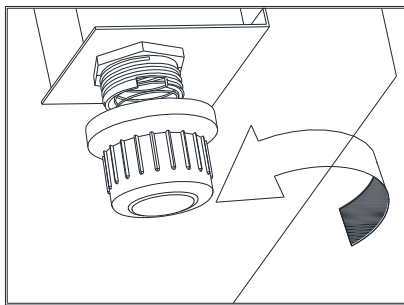


Fig 1

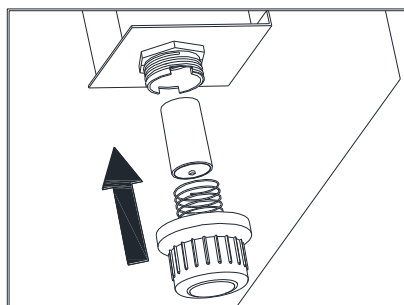


Fig 2

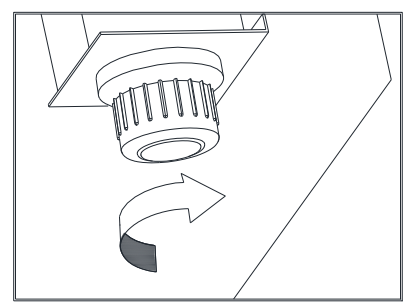


Fig 3

Note: If the battery of the pulse electronic igniter runs out of power, please replace the new battery as above.

Gas Connection

- 1- Open the door and control valve outside. See Fig 4.
- 2- Put the cylinder into the cylinder rack. See Fig 5.
- 3- Connect the regulator and the cylinder as per Fig.6. Make sure there is no leakage or damage (please refer to "Leak Test" on page 13 and the damage checking on page 4).
- 4- Turn the butterfly nut on the cylinder frame, so that the nut is held against the bottom of the cylinder, to make sure the cylinder can be fixed. See Fig 7.
- 5- Disconnect the regulator and the cylinder as per Fig.8
- 6-

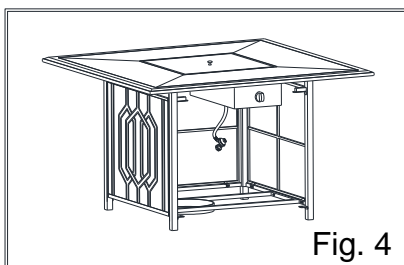


Fig. 4

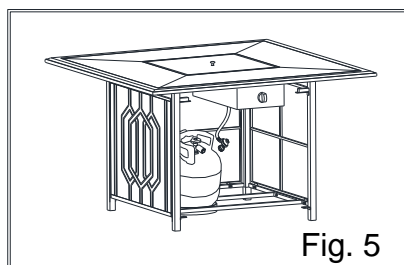


Fig. 5

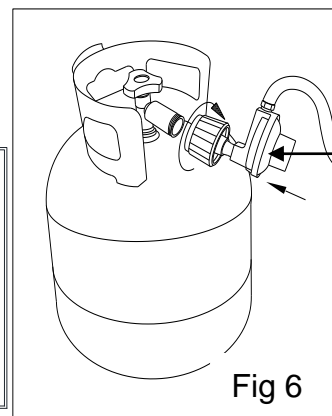


Fig 6

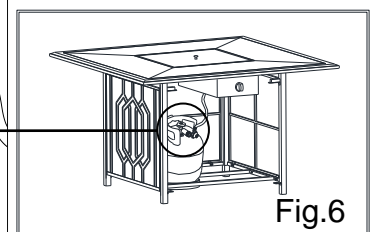
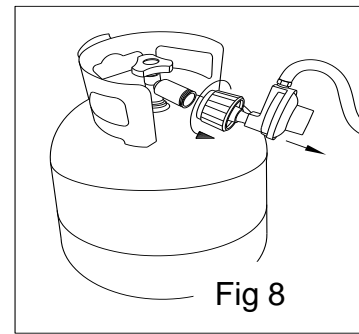
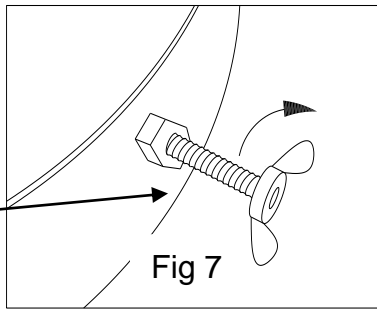
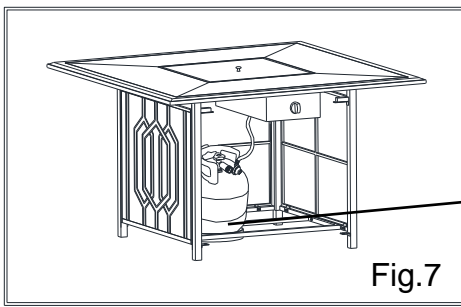


Fig.6



OPERATION:
LEAK TEST

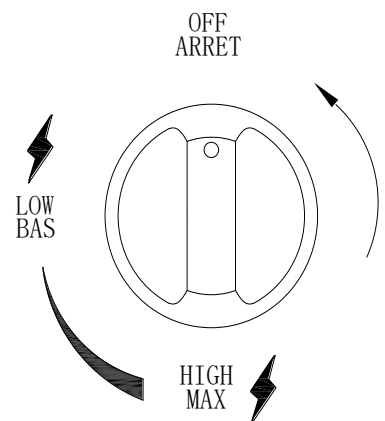
!!!WARNING!!!

- Do not use an open flame to check for leaks. □
- Do not smoke during testing. □
- Do not test indoors. □
- A leak check must be performed whenever the gas cylinder is replaced.

1. Make sure the control knob is in the "OFF" position.
2. Make sure the gas cylinder is correctly and securely connected to the pressure regulator, without over tightening.
3. Turn on the gas cylinder valve. Apply 50% soap and 50% water solution to the gas hose and connections between the control knob and gas cylinder.
4. If something is leaking, you will see bubbles form. In case of leaks, turn off the gas supply, undo the leaking connection, re-connect it and try again. If the leak persists, consult Customer Service Center for assistance **(1(866) 578-6569)**.
5. If the connection does not leak, continue to the next step.

LIGHTING THE BURNERS

1. Push in and turn control knob to LOW.
2. If the burner is not lit, turn the knob back to "OFF" . Wait 5 minutes and repeat step 1.
3. If burner is lit, Continue to depress control knob for 1-2 minutes until the thermocouple is hot.
4. Release control knob and the burner should stay lit.
5. Turn control knob to desired heat setting, LOW-HIGH.
6. Turn control knob to OFF to shutdown. Turn off gas supply at cylinder. Allow a 5-minutes complete shut off period before relighting the appliance.



NOTE: While in use, the burner flame should be mainly blue in appearance with a small amount of yellow. The flame can be identified by the following figure.



Warning: Lighting the Fire Pit improperly could lead to an unsafe condition.

7. Press in and turn the control valve knob clockwise to OFF to shut down fireplace. Close the gas cylinder valve when the fireplace is not in use.

(**CAUTION:** Do not kink flexible gas hose. If it is kinked, a gas leak could occur.)

STORAGE AND MAINTENANCE:

To obtain the best performance from your fireplace, you must perform the following storage and maintenance activities on a regular basis:

- Allow at least 35 minutes for the fireplace to cool down after use, before disconnecting and removing the gas cylinder.

- Store the gas cylinder in a dry, well-ventilated and sheltered area protected from inclement weather and dust, out of the reach of children, and not in a building, garage or any other closed area.

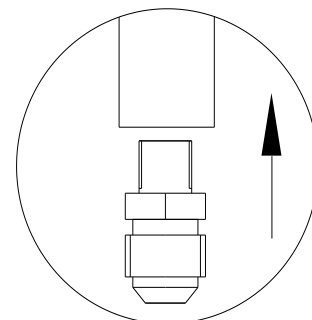
- The fireplace may be stored indoors only if the cylinder is disconnected and removed.

- Keep the fireplace area clear and free from combustible materials, gasoline and other flammable vapors and liquids.

- **Installation and repair should be done by a qualified service person. The fireplace should be inspected before use and at least annually by a qualified service person. More frequent cleaning may be required as necessary. It is imperative that the control compartment, burner, and circulating air passageways of the fireplace be kept clean.**

- If you disassemble the burner when cleaning the fireplace, please reassemble it according to the picture on the right to make sure the burner induction tunnel is on and exactly cover the orifice base. It is imperative that the control compartment, burner, and circulating air passageways of the fireplace be kept clean. It is recommended not to disassemble the burner.

- Permanent installation and repair should be done by a qualified service person. The fireplace should be inspected annually by a qualified service person.



TROUBLE SHOOTING:

PROBLEM OBSERVED	POSSIBLE CAUSE	CORRECTIVE MEASURES
Gas odor	Gas leak	See "If you smell gas:" on front cover of manual Check all gas connections
Delayed ignition	Low gas pressure Clogged or dirty burner ports Blocked orifice Spent battery	Check gas supply pressure Clean burner ports-see manual section Check orifice opening Change new battery
Incorrect burner flame	Incorrect gas supply or pressure Blocked orifice Clogged or dirty burner ports	Check gas supply pressure Check and clean orifice opening Clean burner ports

If you want to replace the parts listed, please contact SUNJOY Customer Service Center (**1(866) 578-6569**).

LIMITED WARRANTY:

Subject to the conditions set out below, this product is warranted to the original purchaser to be free from defects in workmanship and materials for **12 months** from the date of purchase.

- Satisfactory proof of the purchase date must be furnished at the time of notification of the defect for any claim under the warranty to be enforceable. ☐
- This warranty covers all parts found defective in workmanship and/or materials during the warranty period and can be repaired or replaced at the discretion of the manufacturer at no cost to the original purchaser. ☐
- This warranty will be void if the product has not been assembled, installed or operated according to the instructions, or subjected to abuse, improperly treated, neglected, rusted by exposure to the elements, misused and/or if any repairs, maintenance, or service has been done by an unauthorized person. ☐
- Returns must be properly packaged and returned to the dealer from whom the product was acquired.
- The manufacturer, distributor and retailer will not be liable for any incidental or consequential loss or damage arising from the installation or operation of the product and/or the failure of any part for any reason. ☐
- There are no other express or implied warranties, except for those stipulated herein. This warranty gives specific rights and the original purchaser may have additional rights and remedies in law. ☐
- This warranty does not cover commercial use.

Please do not return this product to the store. For technical assistance on assembly or replacement parts call Sunjoy Group at 1(866) 578-6569 at any time or email customer.care@sunjoygroup.com or visit www.sunjoyonline.com to place your order or fax your parts replacement order form together with your purchase receipt to 1 (740) 283-3549 for assistance.

Made in China