

BARNDOOR

• H A R D W A R E •



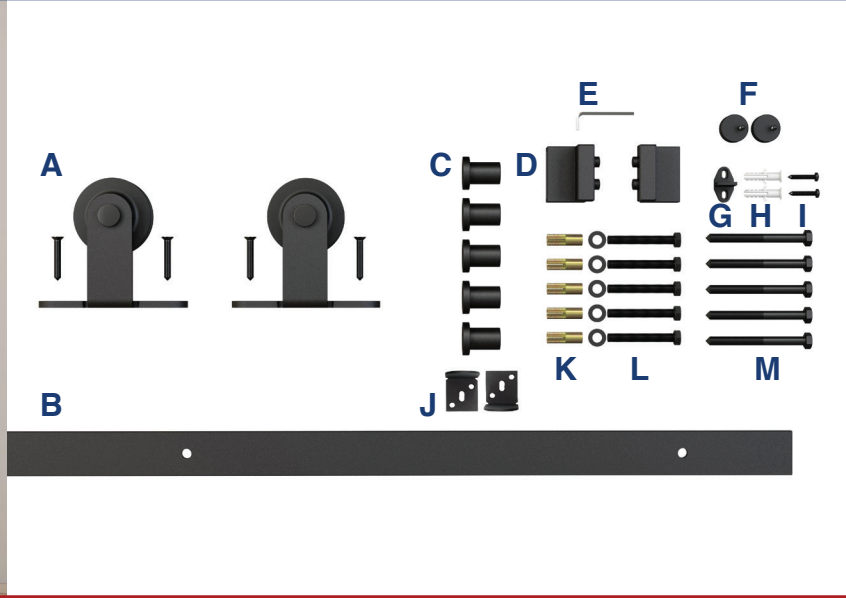
HARDWARE KIT

FOR SLIDING SINGLE WOOD DOORS

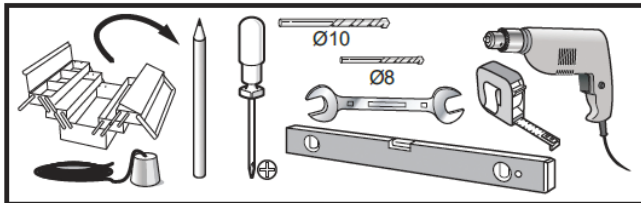


MODEL No. 5APD10670

INSTALLATION MANUAL



TOOLS REQUIRED

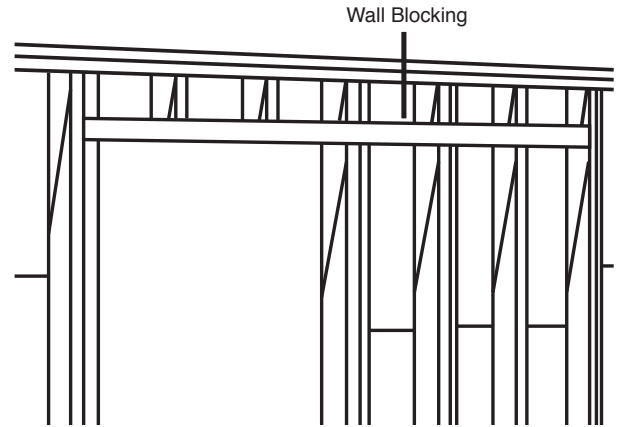
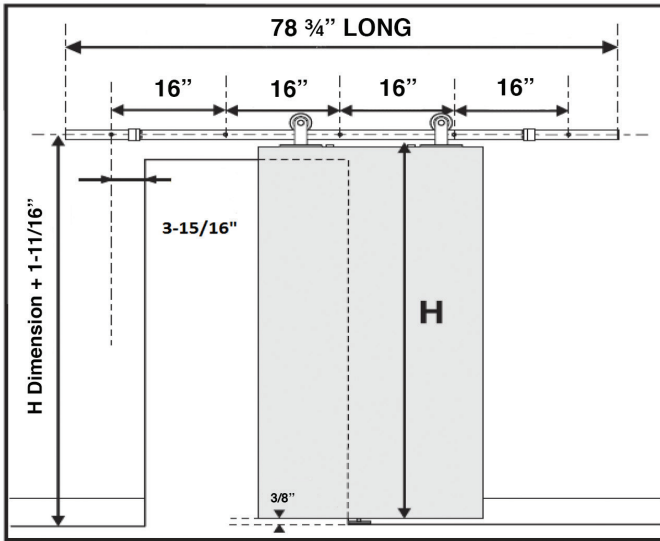


- Plumb Line
- Pencil
- Phillips Head Screwdriver
- 10mm Drill Bit
- 8mm Drill Bit
- Wrench
- Level
- Tape Measure
- Power Drill

INCLUDED IN KIT

A	Door Roller Hardware	x2
B	78" Rail	x1
C	Wall Bracket	x5
D	Door Stop	x2
E	2.5mm Allen Key	x1
F	Anti-Jump Disk	x2
G	Optional Routed Floor Guide	x1
H	Floor Anchor	x2
I	ST4.2x25 Screw	x2
J	Non-Routed Floor Guide Set	x1
K	M8x30 Wall Anchor	x5
L	M8x60 Bolt + Washer	x5
M	M8x90 Bolt	x5

American Pro Decor assumes no liability for improper installation.

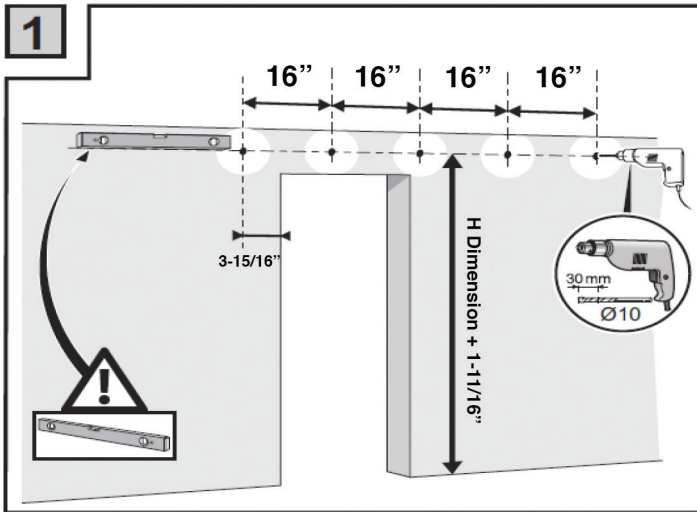


NOTES

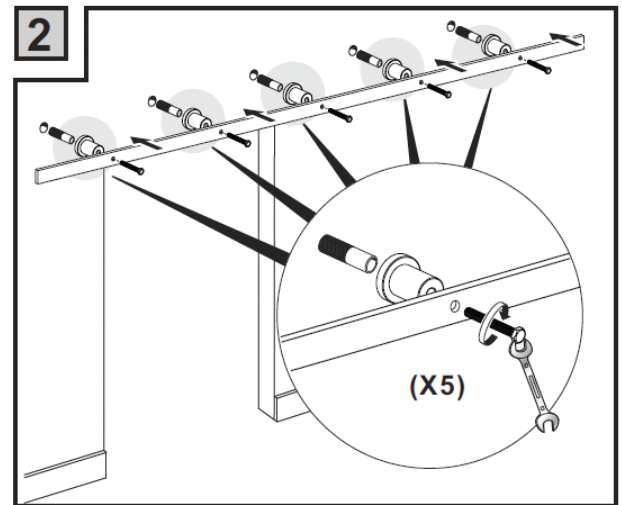
Minimum door overlap on guide is 3-15/16"

To obtain maximum weight capacity, all fasteners must be mounted into solid wood studs or wall blocking or mounted to a header board.

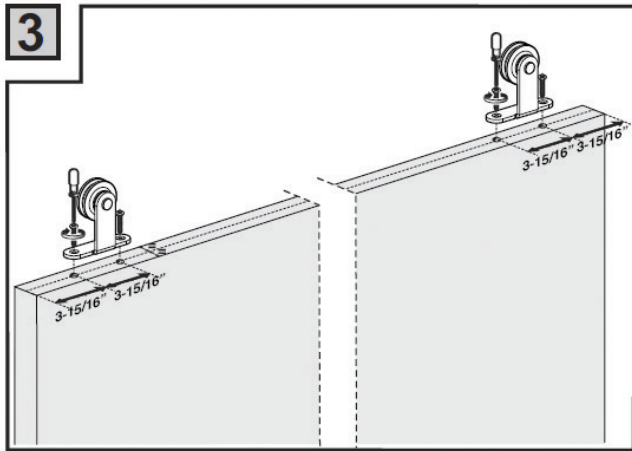
Consult a structural engineer if you have questions about what type of wall blocking is required.



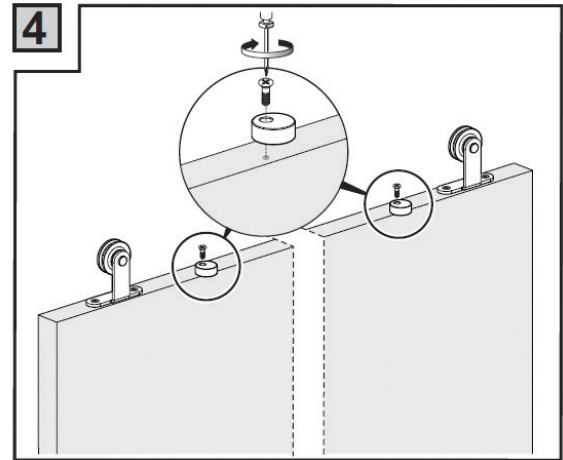
Find the centerline of the track. Using a level, mark a horizontal line twice the door width long. Mark the bracket screw locations into the wall blocking. Attach the wall portion of the brackets as shown.



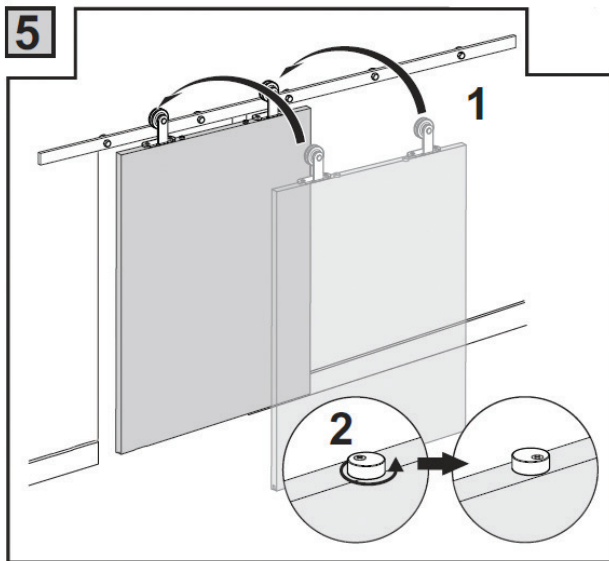
Attach the rail to the wall brackets using a wrench to fasten the bolts as shown.



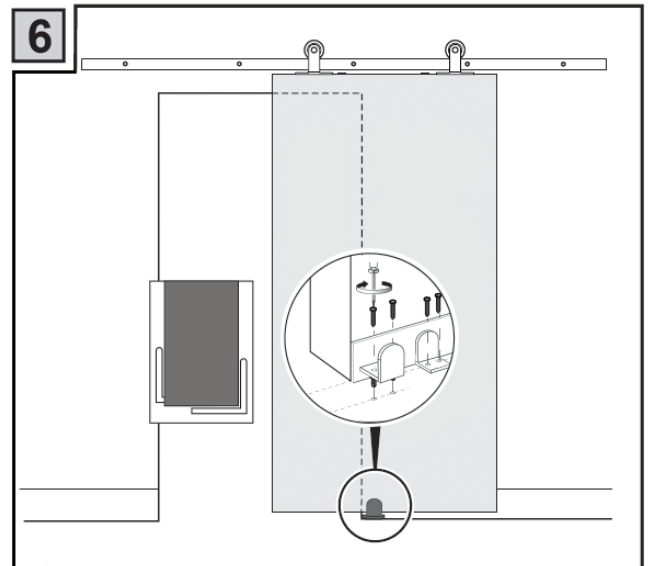
Drill holes in the top of the door 3-15/16" from the edge as pictured to accommodate the door rollers.



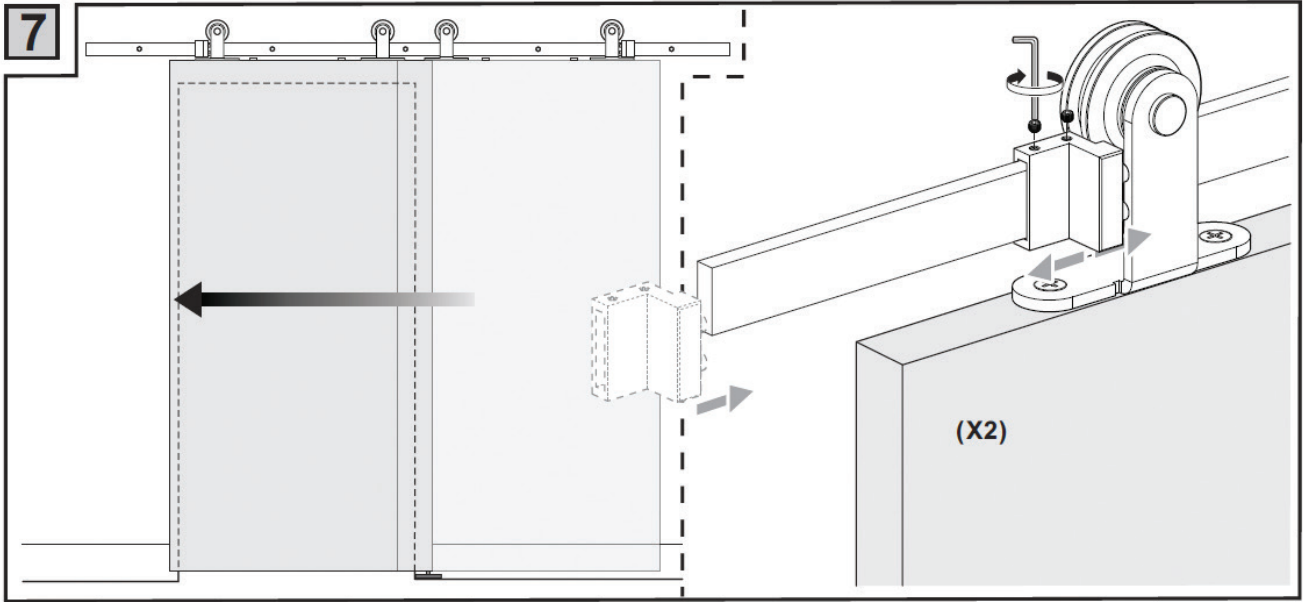
Attach the anti-jump disks to the tops of the door.



Attach the door to the rails making sure that the anti-jump disks are engaged to avoid a serious accident.



Plumb the door and mark the positions of the floor guides. Mount the floor guides to the floor.



Adjust the door stops accordingly using the provided Allen key.