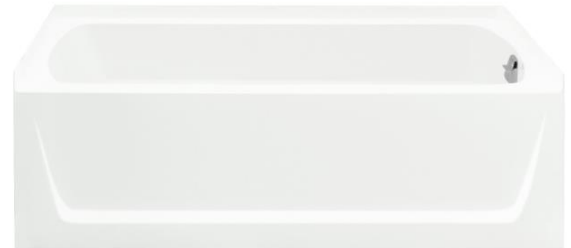




Features

- Compression molded from our exclusive solid Vikrell® material.
- Bath and integral apron eliminates installation step.
- Durable high-gloss finish.
- 10-year consumer/3-year commercial limited warranty.
- 2" (51 mm) wainscot/tile ledge.
- 16" (406 mm) bath depth (floor to top of threshold).
- Right-hand drain.



For complete listing of available colors, go to sterlingplumbing.com.

Codes/Standards

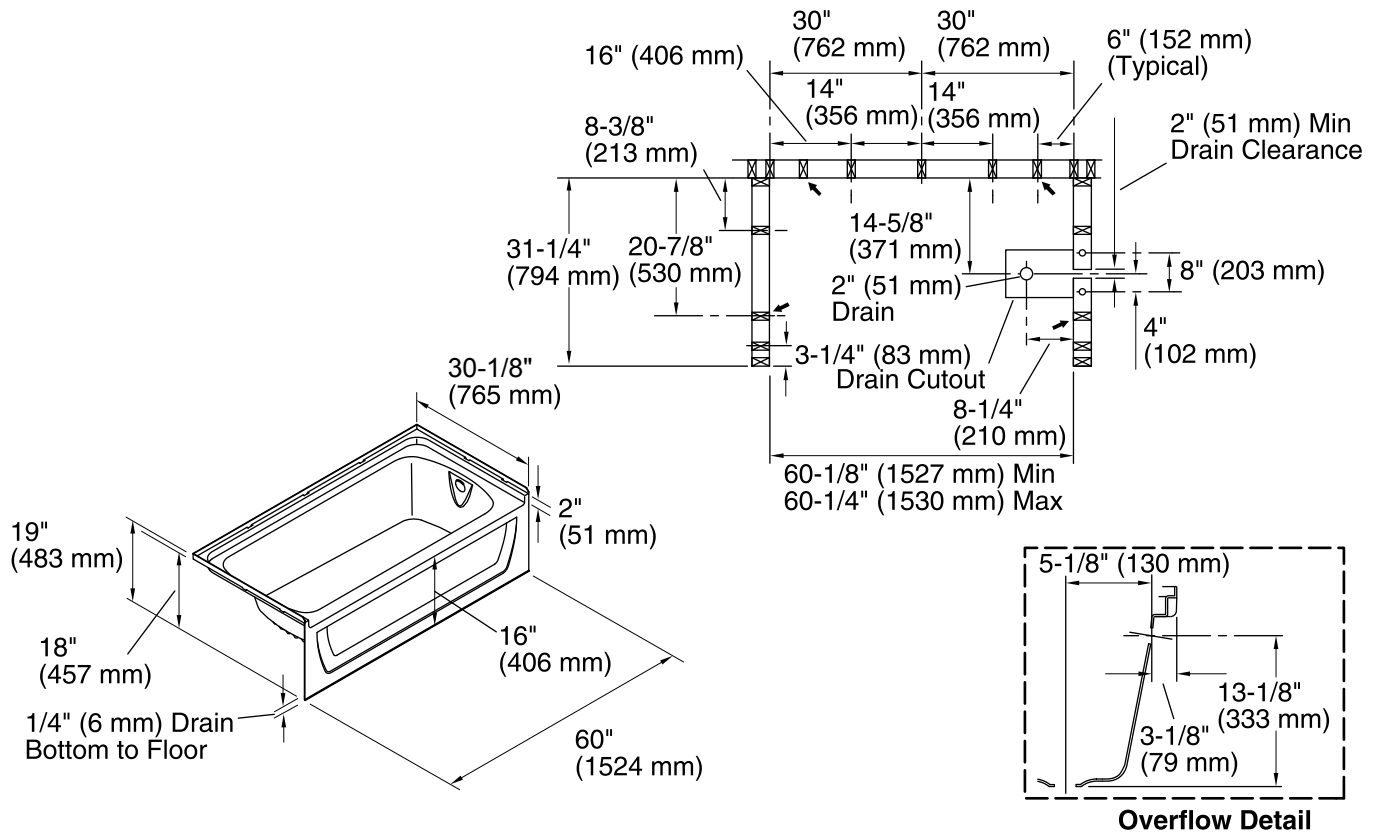
- ASTM E162
- ASTM E662
- CSA B45.5/IAPMO Z124

Sterling Warranty - Fixtures Made of Solid Vikrell Material

See website for detailed warranty information.

Product Specification

The bath shall be 60" (1524 mm) in length, 30-1/8" (766 mm) in width, and 19" (483 mm) in height. Bath shall be made of Vikrell® material with durable high-gloss finish. Bath shall have integral apron, 2" (51 mm) wainscot/tile ledge, and right-hand drain. Bath shall be three-wall alcove installation. Bath shall be Sterling Model 71171120.



Technical Information

All measurements are approximate only.

Installation:	3-Wall Alcove
Basin area, bottom:	45" x 20" (1143 mm x 508 mm)
Basin area, top:	53" x 23" (1346 mm x 584 mm)
Water depth:	11-1/4" (286 mm)
Water capacity:	44 gal (166.6 L)
Door width required:	57-11/16" (1465 mm)

Installation Notes

- Install this product according to the installation guide.
- Size the drain cutout to fit the drain assembly that will be used.
- Studs should be positioned roughly as shown.