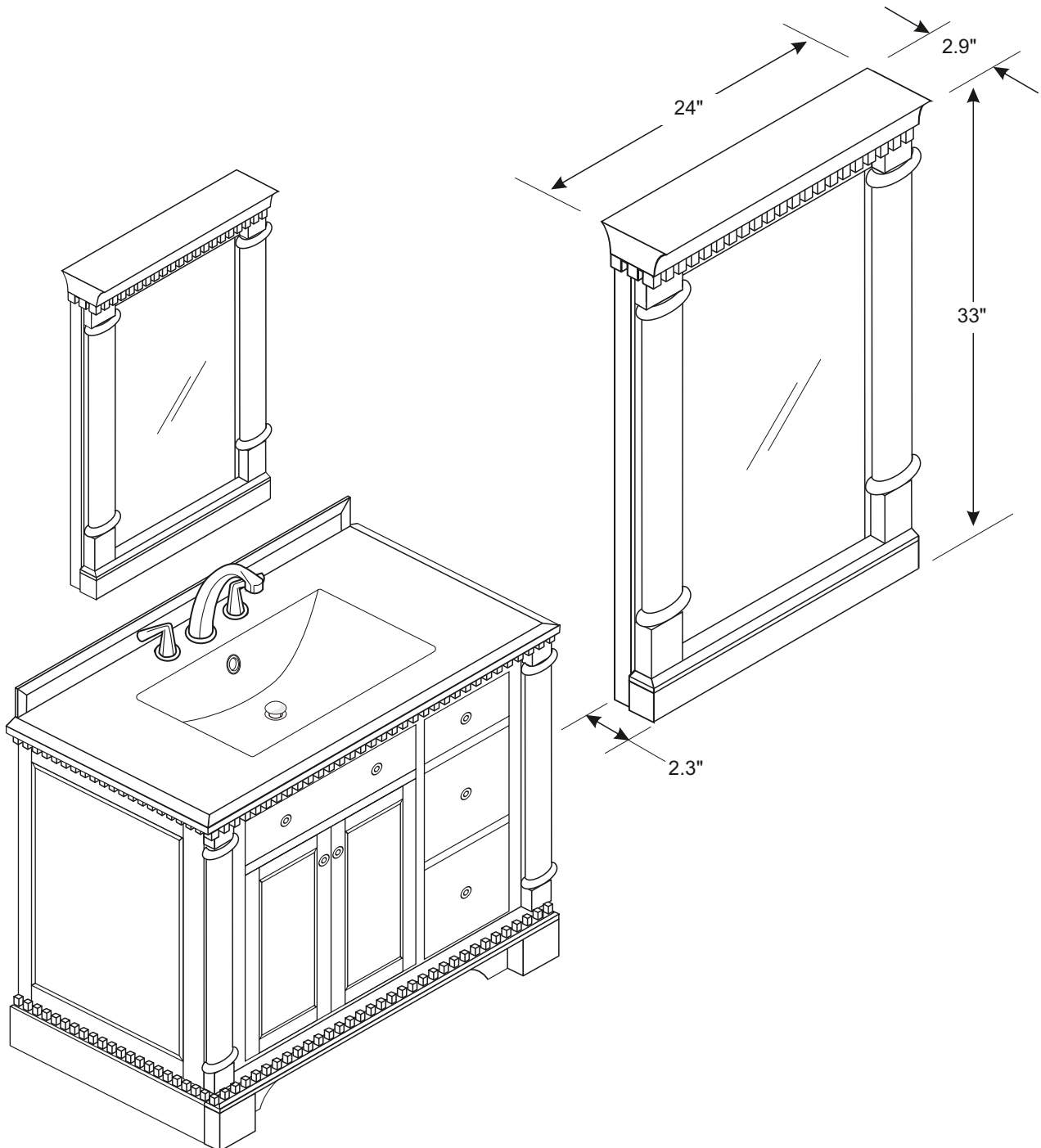
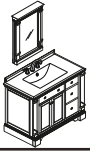


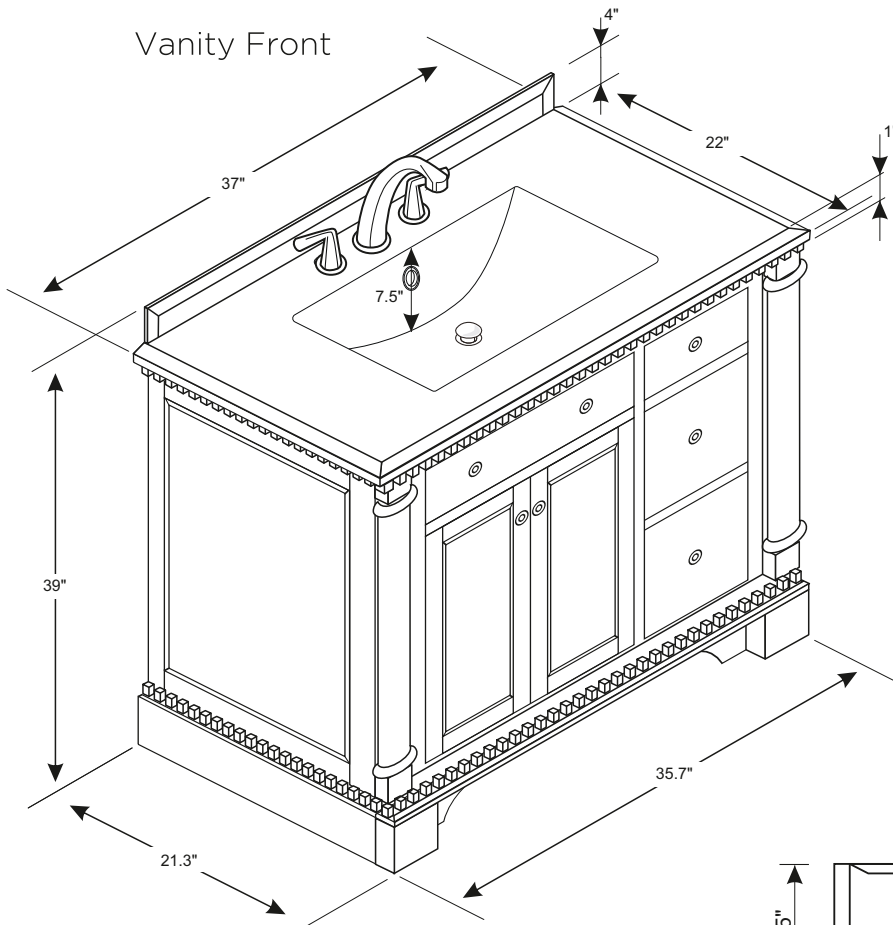
**FVN2236**  
**KINGSTON**  
**INSTALLATION GUIDE**



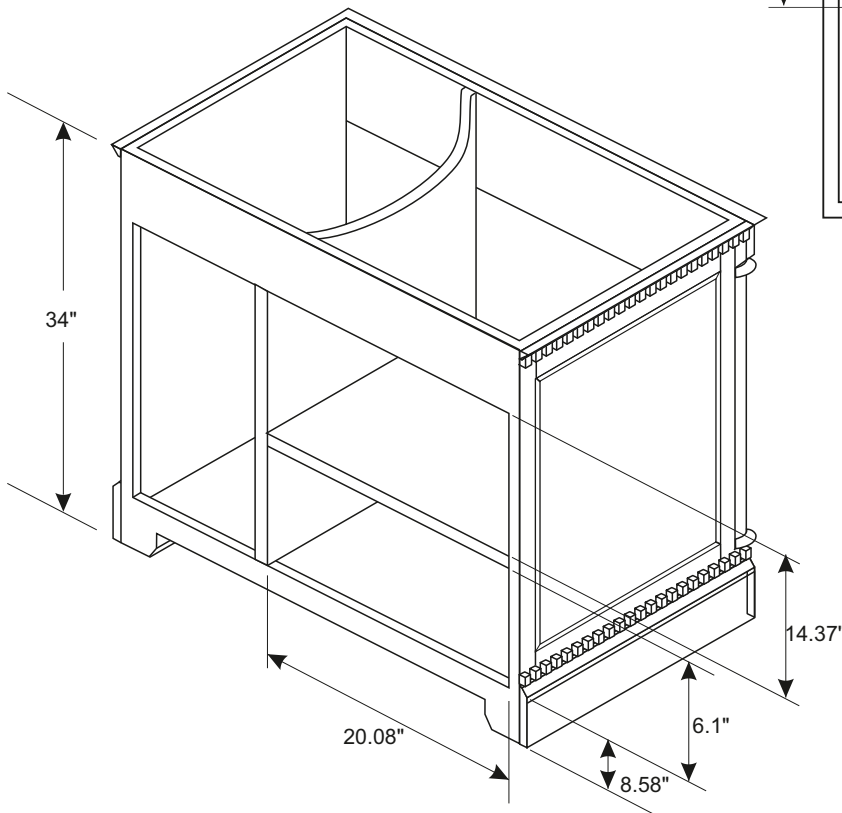
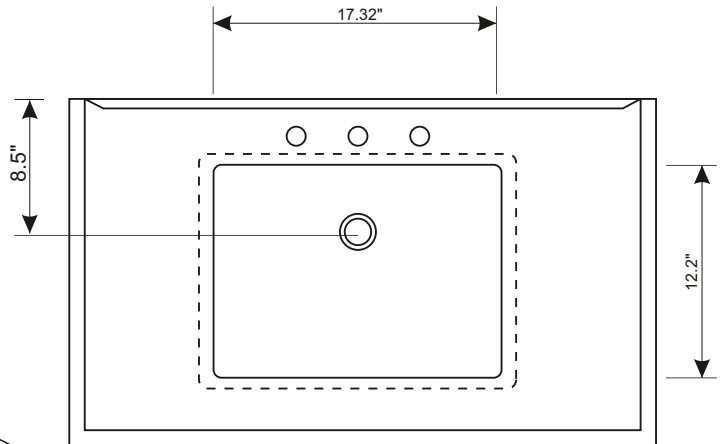
Note: All dimensions and specifications are approximate and subject to change without notice.



**FVN2236**  
**KINGSTON**  
**INSTALLATION GUIDE**

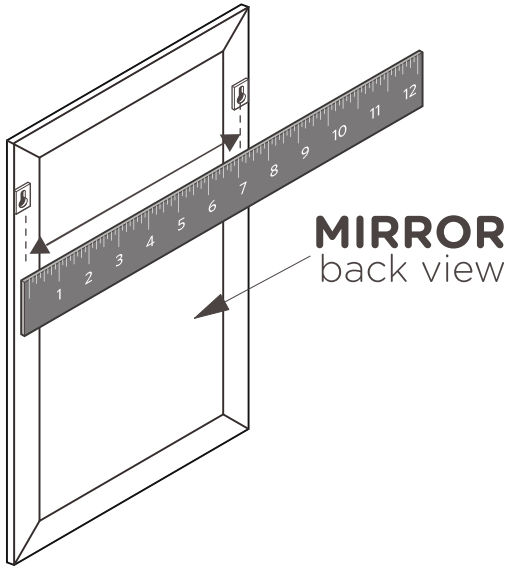


Vanity Back

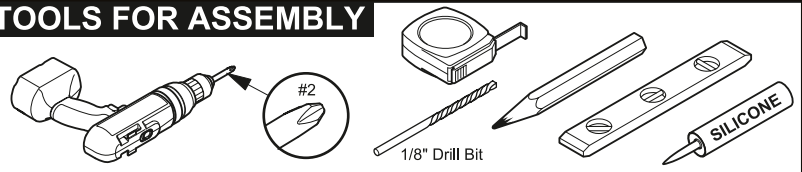


## MIRROR INSTALLATION INSTRUCTIONS

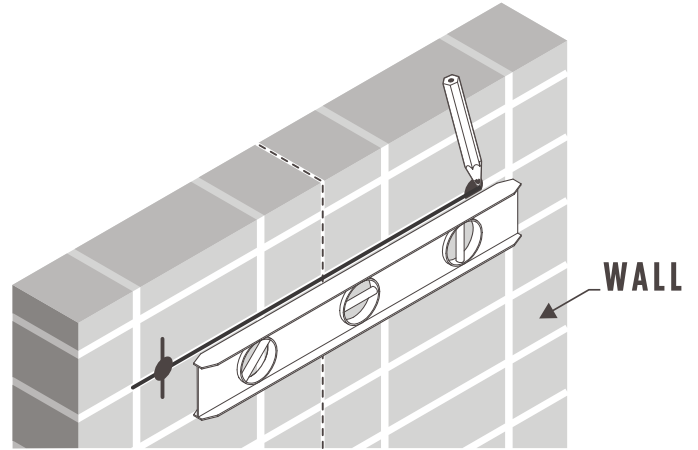
- 1 Flip the mirror over and measure the distance between the holes.



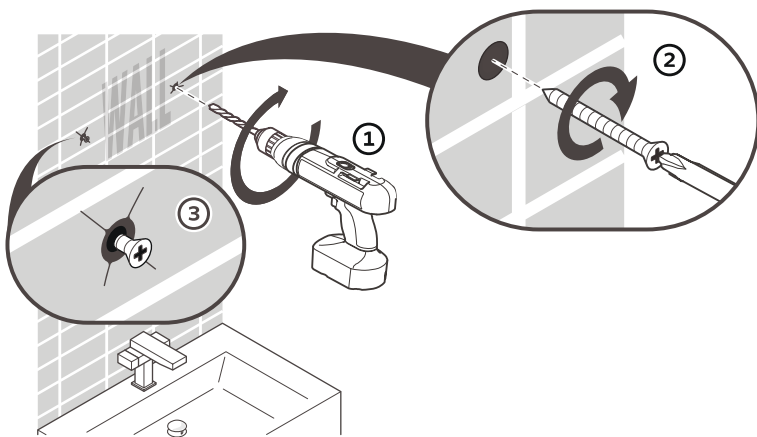
## TOOLS FOR ASSEMBLY



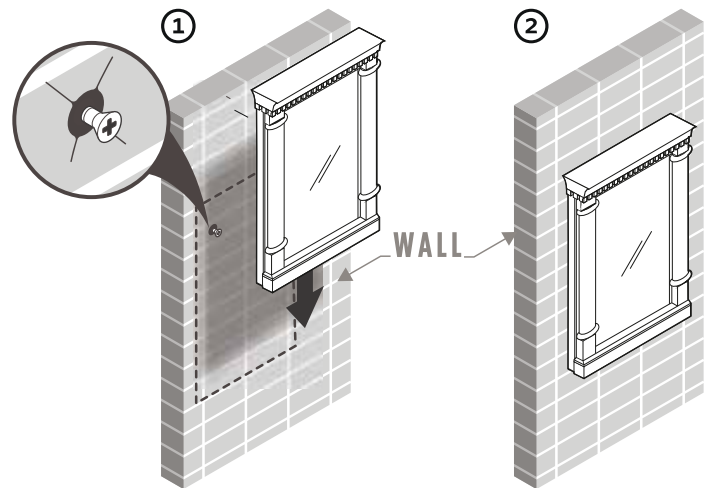
- 2 Mark the measured distance on the wall using a level.



- 3 Once positions is marked drill 2 holes and insert anchors if stud is not available.



- 4 Hang mirror on the wall.

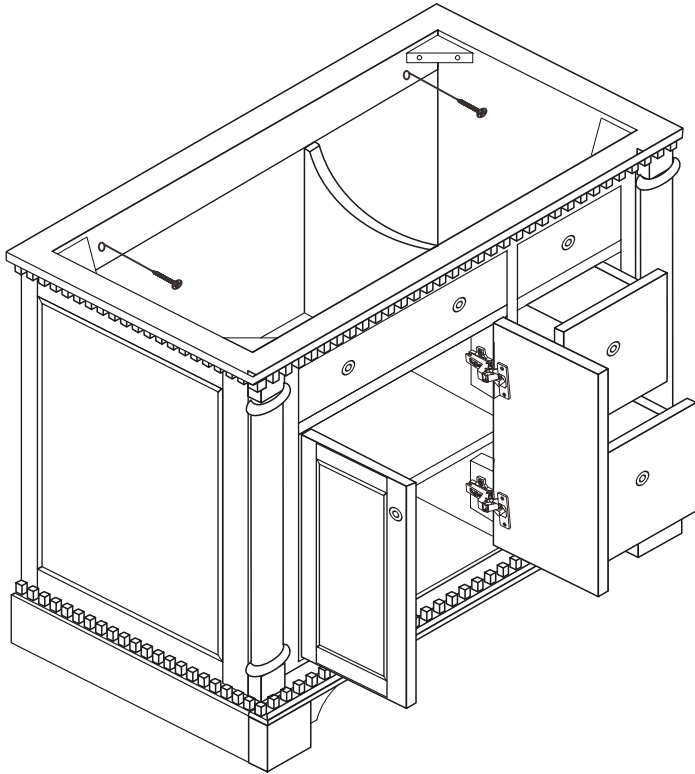


### IMPORTANT:

CONSULT AN EXPERT FOR THE PROPER SCREWS/BOLTS TO USE WHEN ATTACHING TO VARIOUS WALL CONSTRUCTIONS. SCREWS PROVIDED **DO NOT ATTACH** TO ALL WALL CONSTRUCTION TYPES.

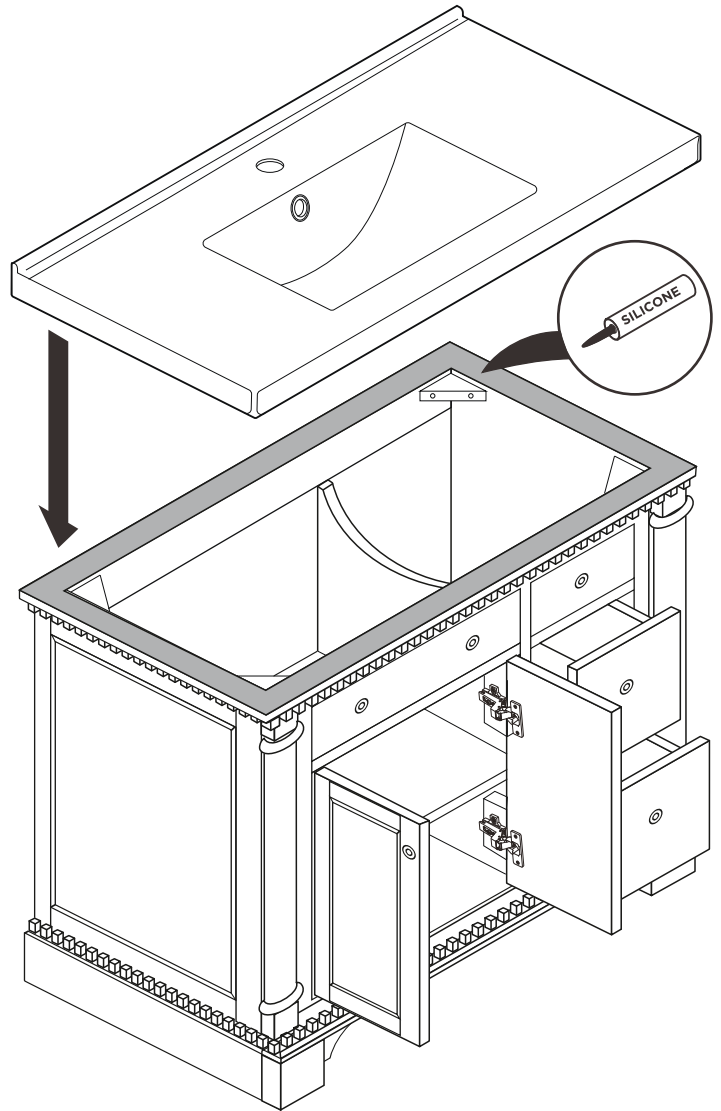


**1** Remove side cabinet drawer.

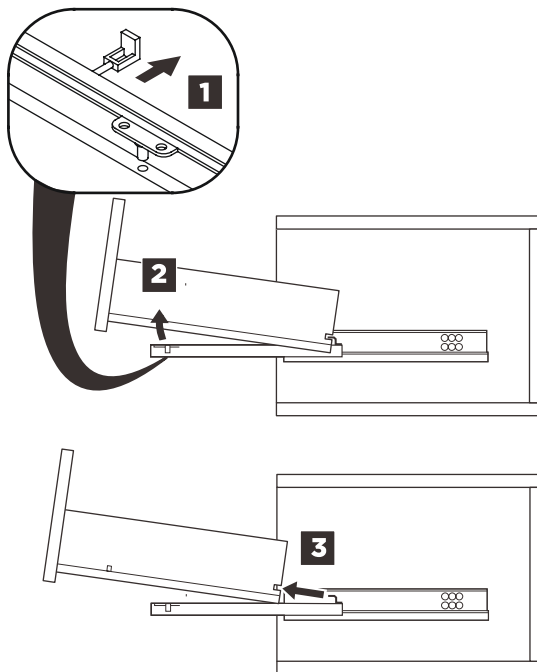


**IMPORTANT:** Consult an expert for the proper screws/bolts to use when attaching to various wall constructions. Screws provided do not attach to all wall construction types.

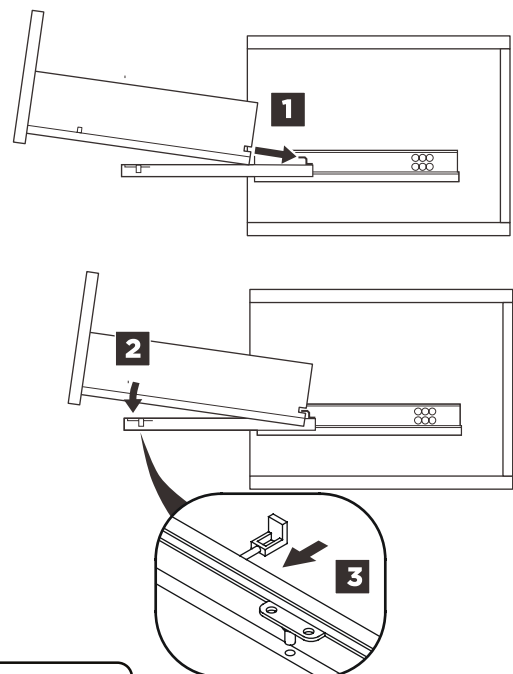
**2** Apply a bead of silicon on the top of the cabinet and place the sink on top.



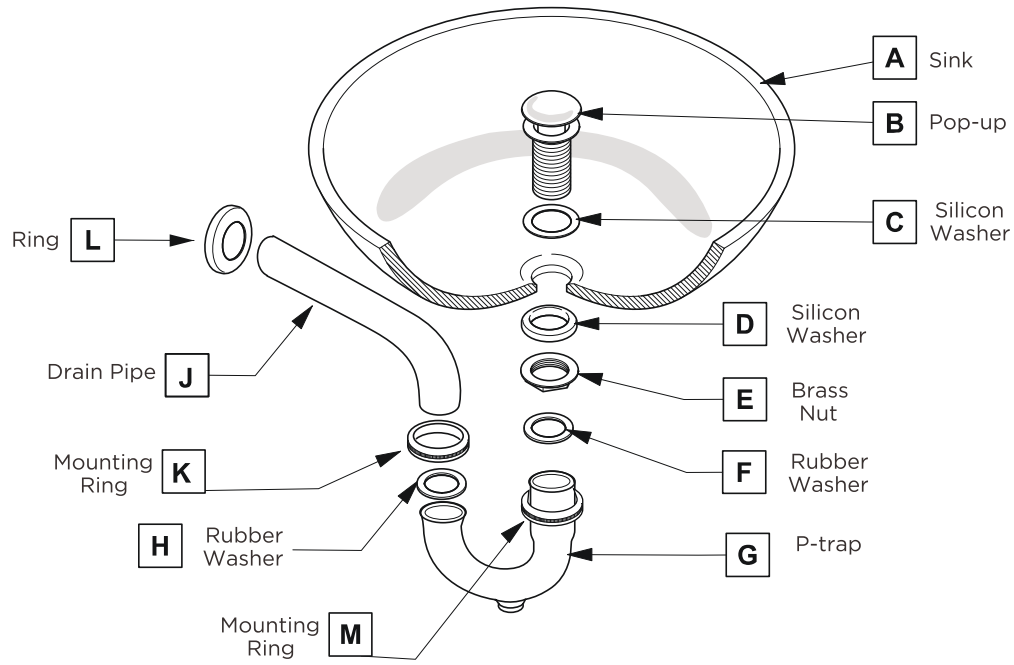
REMOVAL



INSTALLATION

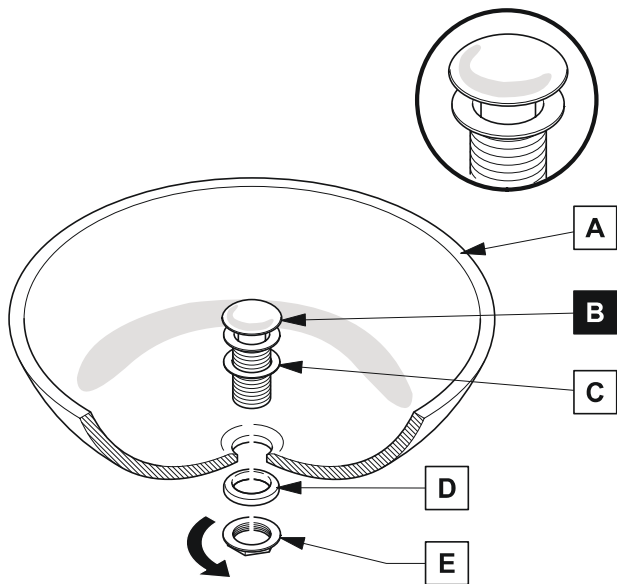


## P-TRAP AND POP-UP INSTALLATION INSTRUCTIONS



### POP-UP INSTALLATION

#### FOR SINKS WITHOUT OVERFLOW



OR

#### FOR SINKS WITH OVERFLOW

