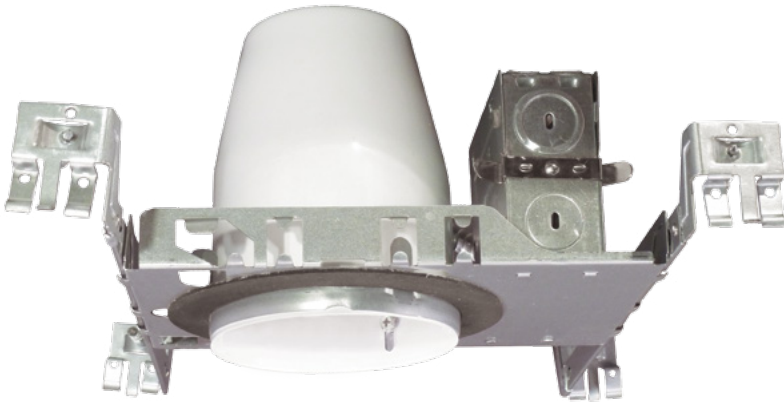
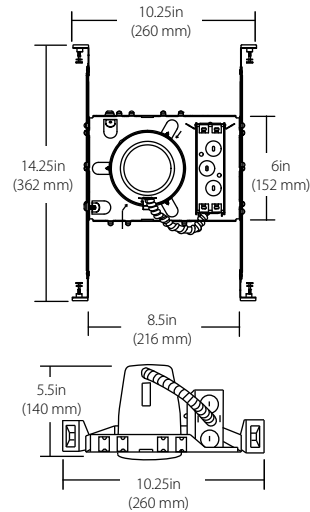


# 19000A-LED-ID

## 4" LED IC AIRTIGHT NEW CONSTRUCTION HOUSING



### DIMENSIONS



The 19000A-LED-ID features Ideal® connections that allows for quick, snap-in connection of NICOR® D-series LED downlights. Suitable for new construction in residential and commercial applications. IC rated. Suitable for direct contact with insulation.

### FEATURES

- Airtight housing limits the exchange of air between ceiling plenum and heated/cooled areas
- Washington State Energy Code approved to meet restricted airflow requirements
- 5 1/2" height allows use in 2" x 6" joist construction
- Housing adjusts from 1/2" to 1 1/2" to accommodate ceiling thickness
- Listed for through branch circuit wiring and includes several 3/4" knockouts
- Heavy-gauge NICOR captive hanger bars provide greater stability, allowing housing to be positioned at any point within a 24" joist span, then locked in place with set screws
- Unique hanger bar lip design helps align can to joist
- Four double-headed captive nails provide for ease of installation
- Bars can be repositioned 90° on plaster frame without tools
- Score lines allow bars to be shortened without tools to accommodate a 12" joist span

### ATTENTION

This housing may have connector compatibility issues with some of our D-Series downlights. Please see [page 28](#) for more info.

### ORDERING INFORMATION

Catalog Number	Description
19000A-LED-ID	4" IC Airtight New Construction LED Housing

