

HOME DECORATORS COLLECTION

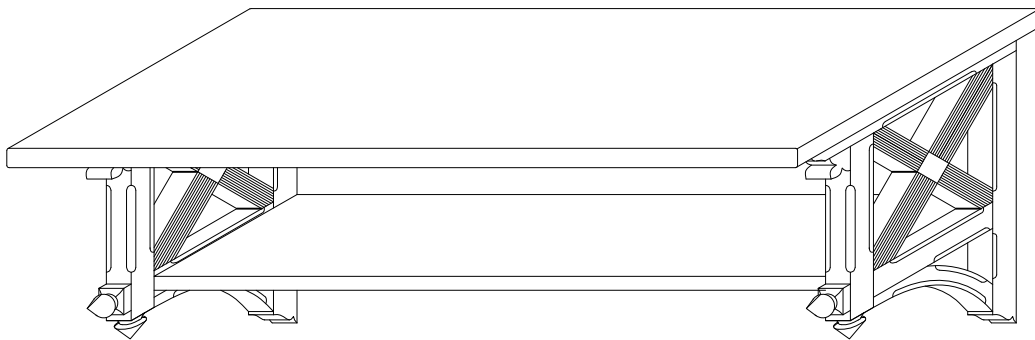
BF-24909 MSL COUNTRY BRACKET LARGE 40W×16"H

INV#10378

ASSEMBLY INSTRUCTIONS

Made In China

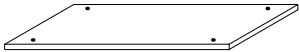
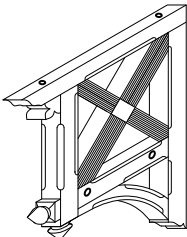
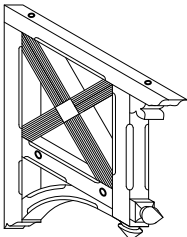
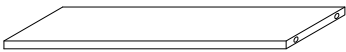
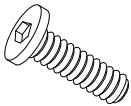
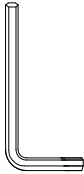


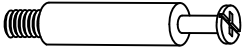





MAX LOAD: 50LB.



Thank you for purchasing this quality product. Be sure to check all packing material carefully for small parts, which may have come loose inside the carton during shipment. Count all parts and material hardware, then compare with parts list to be sure all parts are present. If any parts are missing or damaged, phone, fax, or mail to our Customer Service Department for efficient and speedy service. Please indicate the model number and code letter of part(s) needed.

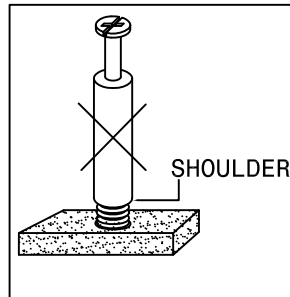
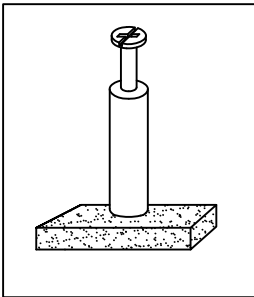
IMPORTANT NOTE: Follow instructions listed below in proper sequence as numbered to assure fast, easy and correct assembly.

PARTS LIST

<p>A</p>  <p style="text-align: center;">TOP PANEL-1PC</p>	<p>B</p>  <p style="text-align: center;">LEFT SIDE PANEL-1PC</p>	<p>C</p>  <p style="text-align: center;">RIGHT SIDE PANEL-1PC</p>	
<p>D</p>  <p style="text-align: center;">ACROSS PANEL-1PC</p>	<p>E 11mm × 1"</p>  <p style="text-align: center;">SCREWS-4PCS</p>	<p>F</p>  <p style="text-align: center;">ALLEN WRENCH-1PC</p>	
<p>G</p>  <p style="text-align: center;">GECKOS-2PCS</p>	<p>H 8mm × 1-1/2"</p>  <p style="text-align: center;">SCREWS-2PCS</p>	<p>I</p>  <p style="text-align: center;">CAM-BOLTS-4PCS</p>	<p>J</p>  <p style="text-align: center;">CAM-LOCKS-4PCS</p>
<p>K</p>  <p style="text-align: center;">CAM-TOOL-1PC</p>	<p>L</p>  <p style="text-align: center;">PAPER TEMPLATE-1PC</p>	<p>M</p>  <p style="text-align: center;">SCREW COVERS-4PCS</p>	<p>N</p>  <p style="text-align: center;">CAM-LOCK CAPS-4PCS</p>

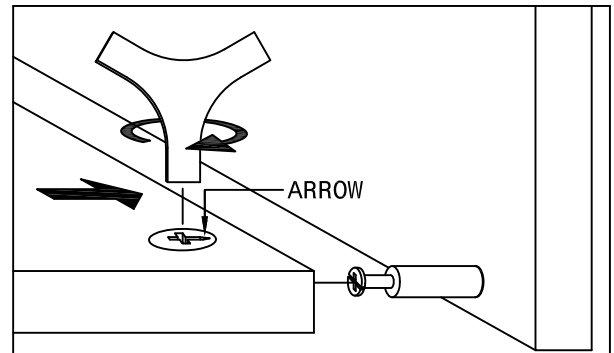
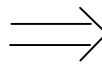
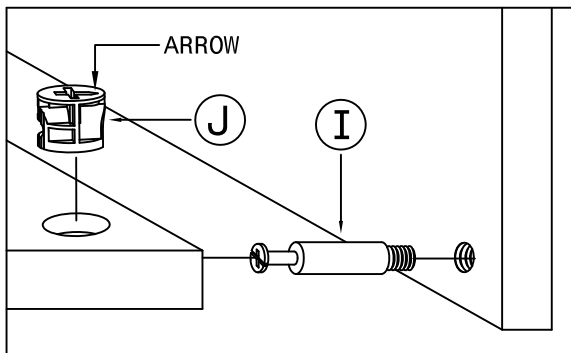
NOTE: THE SURFACE WITH THE STICKER IS THE BACK SIDE.

NOTE: • UPON OPENING, THOROUGHLY CLEAN ALL WOOD SURFACES TO REMOVE DUST AND DIRT THAT MAY HAVE SETTLED ONTO FINISH DURING SHIPMENT. IN ORDER TO PREVENT DAMAGE DURING ASSEMBLY, PLEASE ASSEMBLE THIS ITEM WITH AT LEAST TWO PEOPLE.

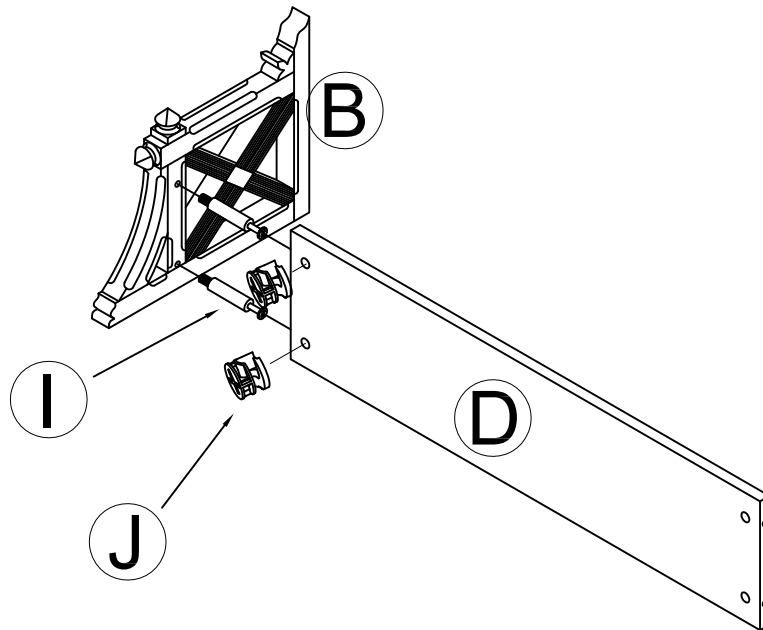


NOTE: TURN THE CAM-BOLT SCREWS UNTIL THEY ARE TIGHT, THE SHOULDER SHOULD BE AGAINST THE SURFACE OF THE PART.

HOW TO USE THE CAM-TOOL

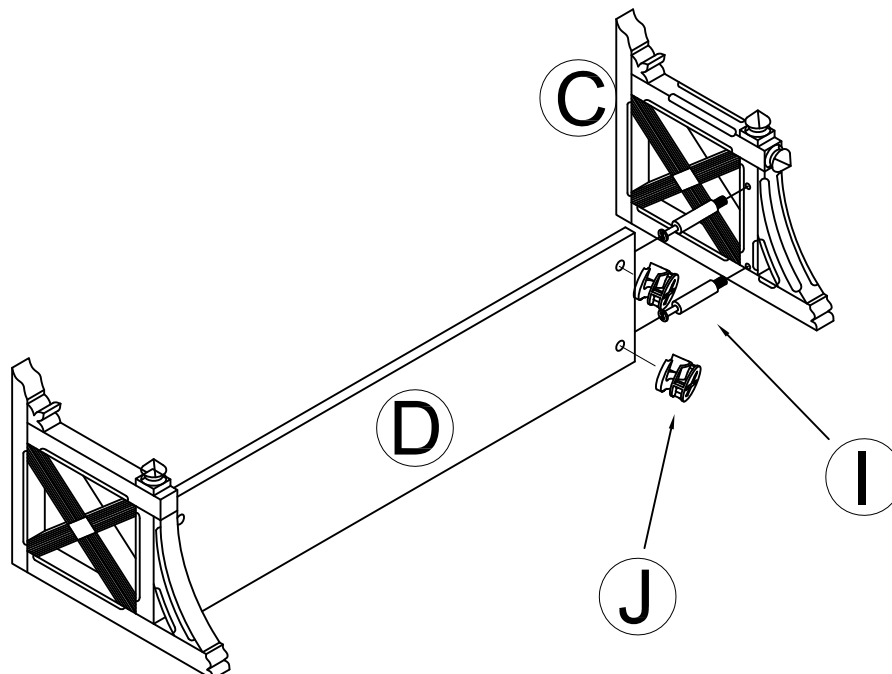


NOTE: • THE ARROWS ON THE HIDDEN CAM-LOCKS SHOULD POINT TO THE CAM-BOLTS



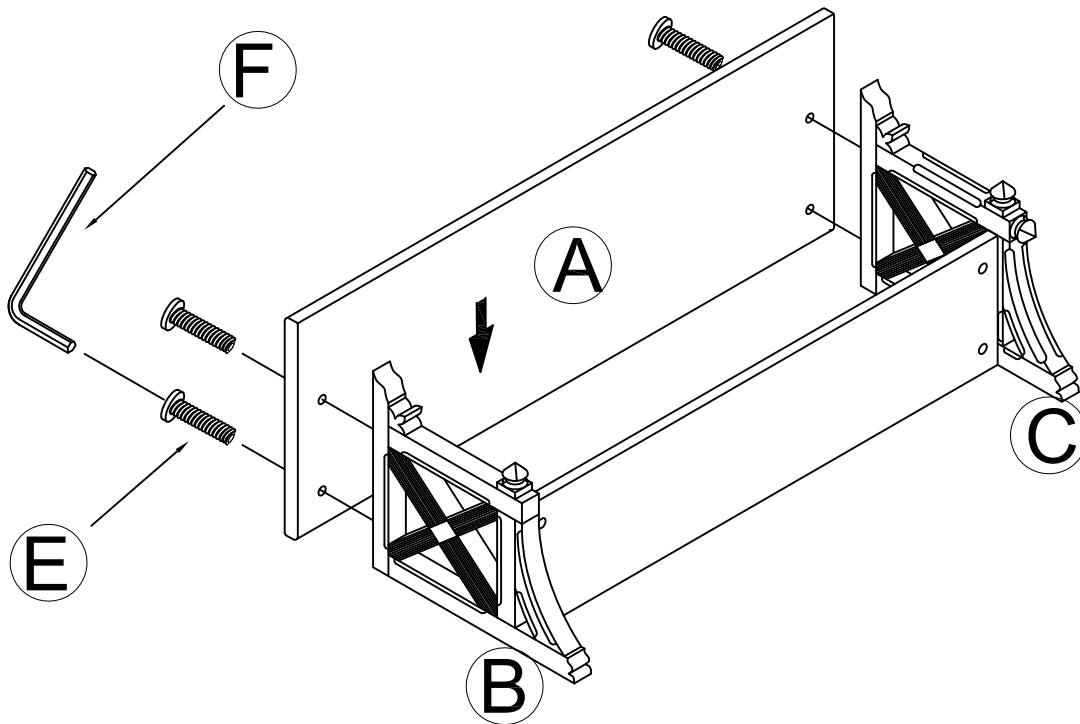
1) . ASSEMBLE THE LEFT SIDE PANEL (B) .

- ROTATE 2 CAM-BOLTS(I) INTO THE HOLES IN THE LEFT SIDE PANEL (B) .
- PLACE THE CAM-BOLTS(I) INTO THE HOLES IN THE ACROSS PANEL (D) AND ATTACH USING 2 CAM-LOCKS(J) .



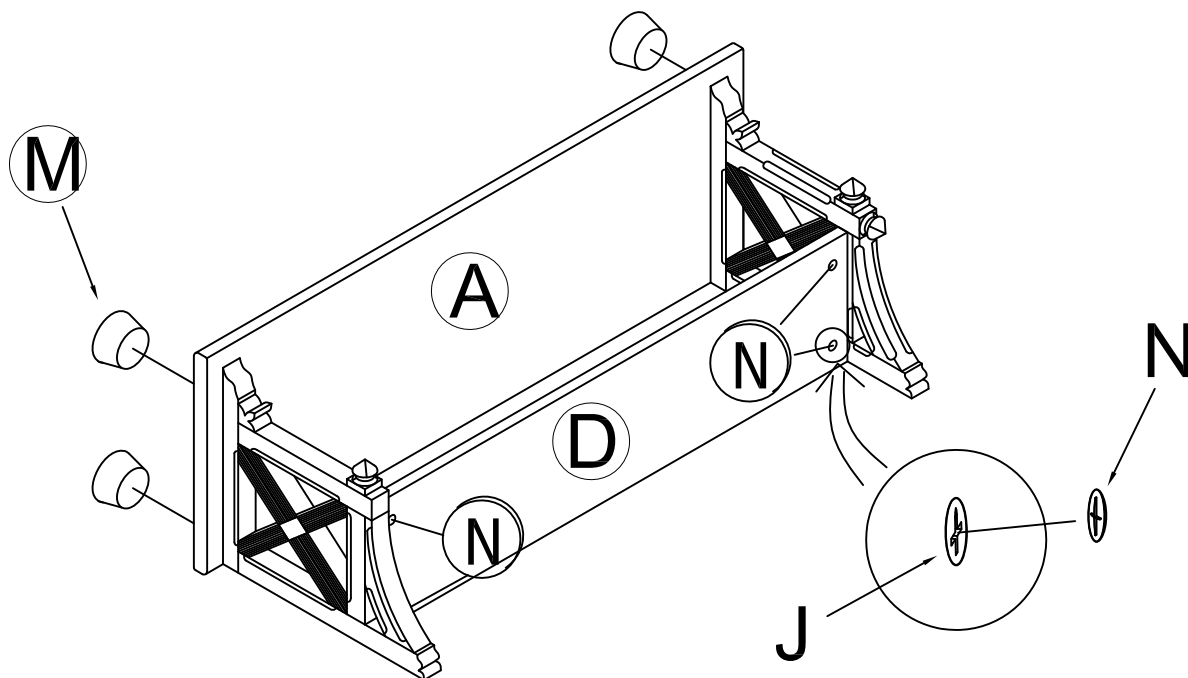
2) . ASSEMBLE THE RIGHT SIDE PANEL (C) .

- ROTATE 2 CAM-BOLTS(I) INTO THE HOLES IN THE RIGHT SIDE PANEL (C) .
- PLACE THE CAM-BOLTS(I) INTO THE HOLES IN THE ACROSS PANEL (D) AND ATTACH USING 2 CAM-LOCKS(J) .



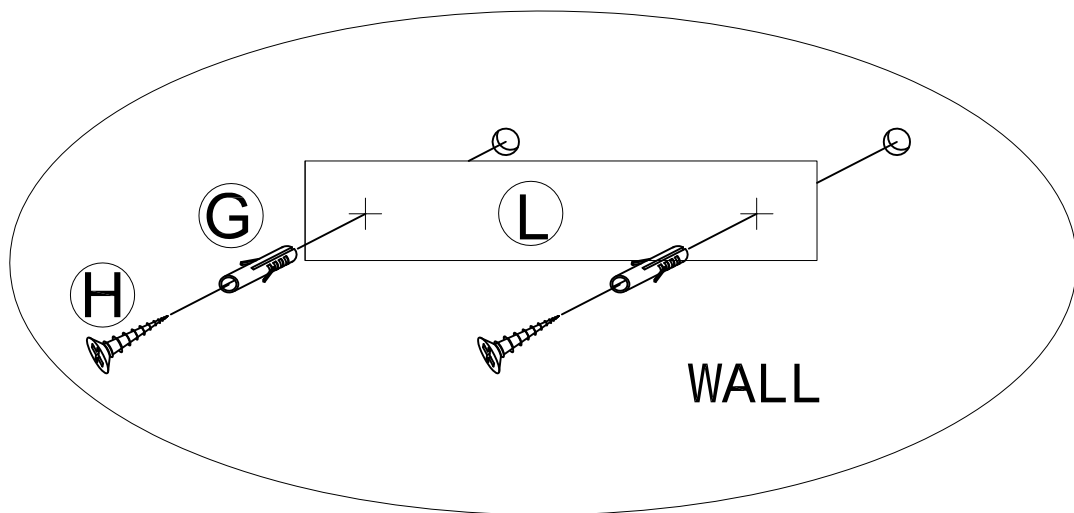
3) . ASSEMBLE THE TOP PANEL (A) .

- ATTACH THE TOP PANEL (A) TO SIDE PANEL (B/C) AND USING 4 SCREWS (E) .



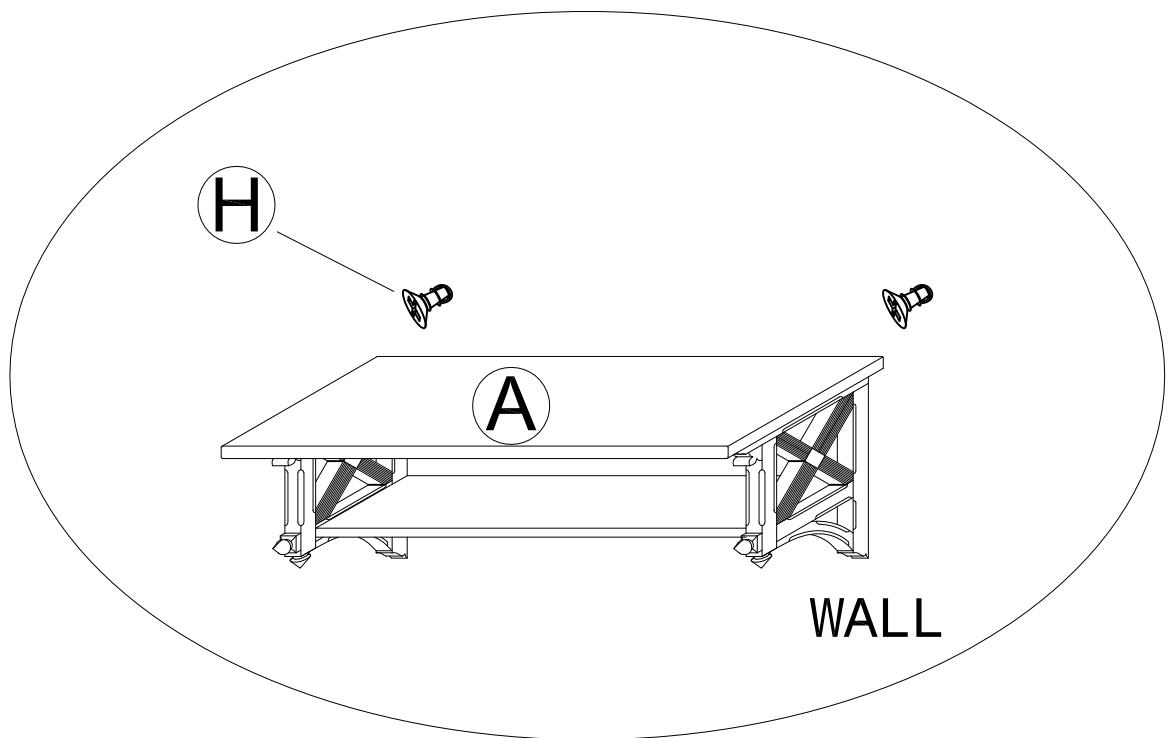
4) . ASSEMBLE THE CAM-LOCKS CAP (N) AND SCREW COVERS (M) .

- ATTACH 4 CAM-LOCKS (J) USING 4 CAM-LOCK CAPS (N) .
- ATTACH 4 SCREW COVERS (M) INTO THE HOLES IN THE TOP PANEL (A) .



5) . ASSEMBLE THE GECKOS(G) .

- DRILL 2 SMALL HOLES INTO THE WALL EQUAL DISTANCE WITH PAPER TEMPLATE(L) AND AT THE SAME LEVEL .
- PUT 2 GECKOS(G) INTO HOLES IN THE WALL AND ROTATE 2 SCREWS(H) INTO GECKOS(G) .



6) . ASSEMBLE THE BRACKET .

- HANG BRACKET ON SCREWS(H) .