

Get the big picture.

Read these installation instructions. Check to see you have all the parts on the hardware list. If you're adding optional components, such as drawers, you'll find instructions for installing them in their cartons.

Check wall type.

The screws and toggle bolts in the carton should only be used on standard drywall, wallboard, or sheetrock walls. To attach the system to other walls, such as cement or block, use suitable wall anchors, available from your local hardware store.

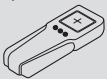
Remove existing shelves and rods.

Optional: repair any wall holes and repaint now

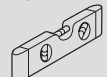
Gather the tools you'll need.



TAPE MEASURE



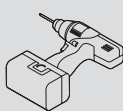
STUD FINDER



LEVEL



PENCIL

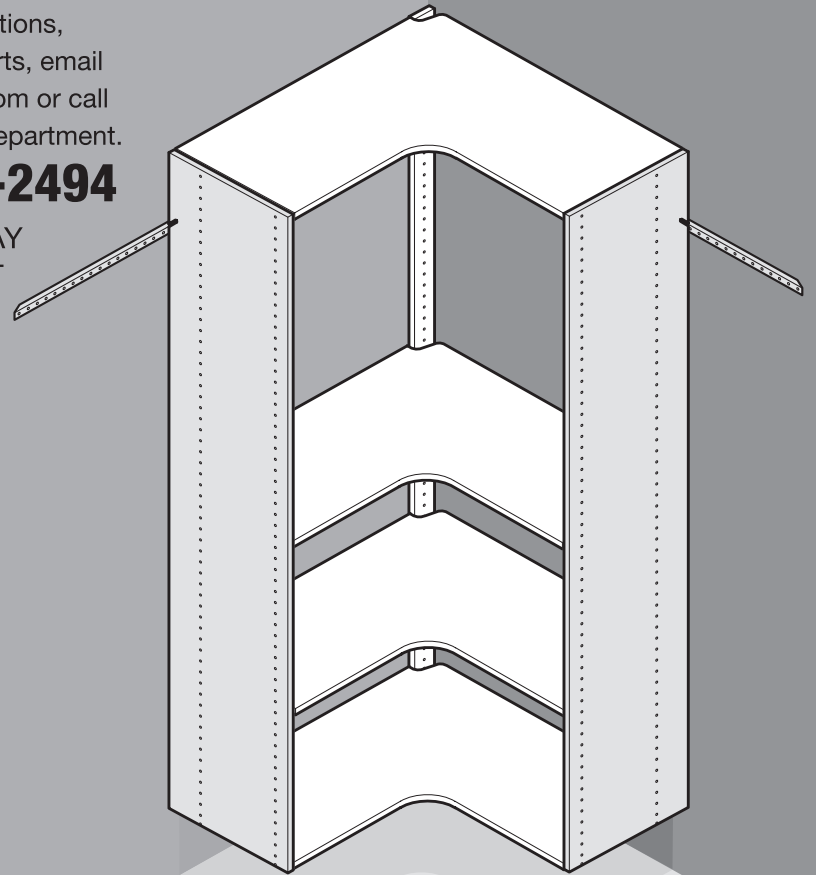


**POWER DRILL
NO.2 PHILLIPS,
1/8" & 1/2"
DRILL BITS**

If you have any questions, or you're missing parts, email msl@windquestco.com or call our customer care department.

1-800-218-2494

MONDAY – FRIDAY
8AM TO 5PM EST



LOOK INSIDE

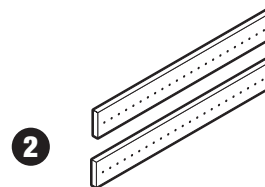
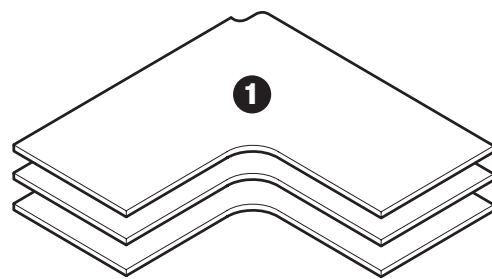
Note: 48" corner requires 1 corner shelf kit. 72" corner requires 2 corner shelf kits. This instruction set assumes installing a 72" corner.

PARTS INCLUDED

- 1** corner shelves (3)
- 2** corner cleats (2)

HARDWARE INCLUDED

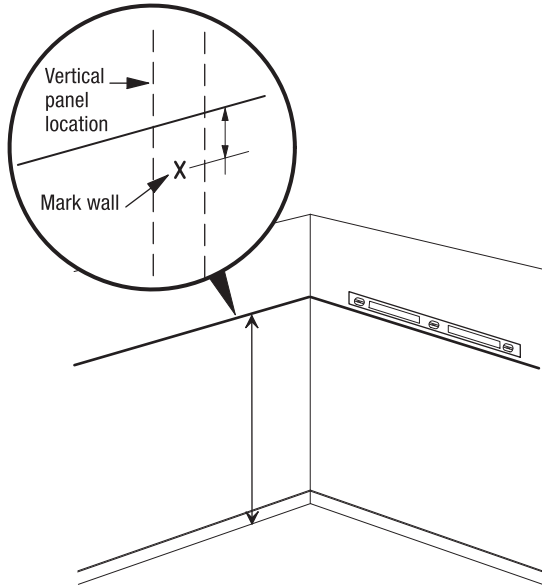
- shelf pins (10)
- offset shelf pins (2)
- #8 x 2" screws (14)
- screw cap covers (14)



- 1 Attach track. Measure desired height at the corner of both walls. 75.5" above the floor is recommended. The track height can be adjusted depending on the individual needs. Using a level, draw a straight line on each wall out from the corner.

TIP

Mounting track 75.5" from the floor will put the top of vertical panels 84" above floor.

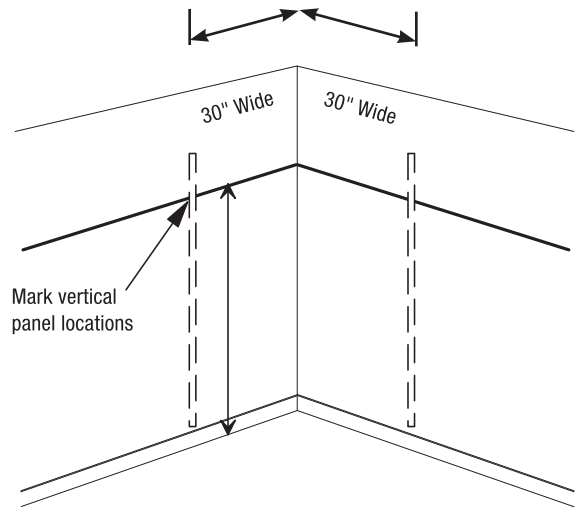


- 2 Locate studs. Tap the wall or use an electronic stud finder to locate studs. Mark wall 1/2" below horizontal line. Studs (2 x 4) are usually located on 16" centers measured from the left or right side.

Lay out the closet design to determine approximately where vertical panels will be located. Corner units are 30" wide. Mark locations on wall below horizontal line.

TIP

Do not install track all the way into the corner.

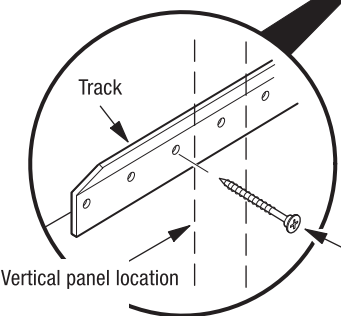
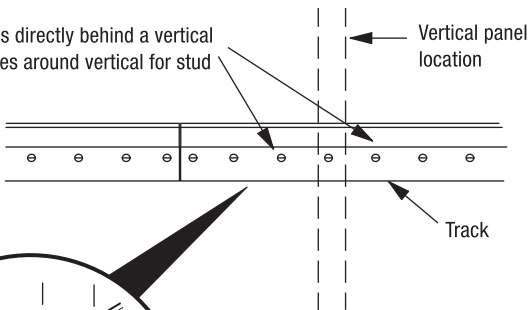


- 3 For holes marked as studs, drill pilot holes with an 1/8" drill bit at holes marked for studs. Attach the track to wall using #8 x 2" screws. If a toggle is needed, use a 1/2" drill bit to drill the hole.

IMPORTANT

Use toggle bolts if vertical panels are not within 3" of a stud. Determine the location of the toggle bolts by holding the track over the horizontal line. Mark hole locations near the vertical panels. Keep track level. Any toggle bolts must be installed prior to attaching track to wall.

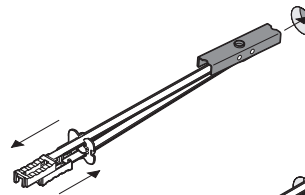
Do not use holes directly behind a vertical panel. Mark holes around vertical for stud or toggle bolt.



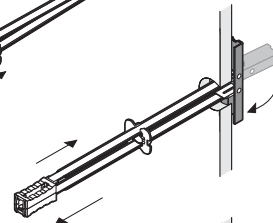
- 4 Install toggle channels.

STEPS

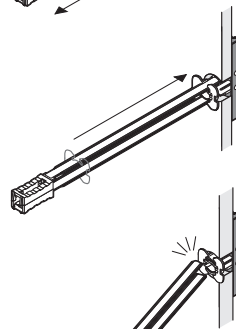
Insert toggle into wall.



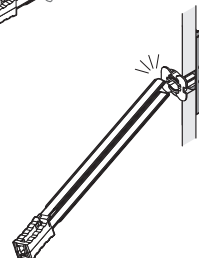
Slide plastic straps until they align with each other.



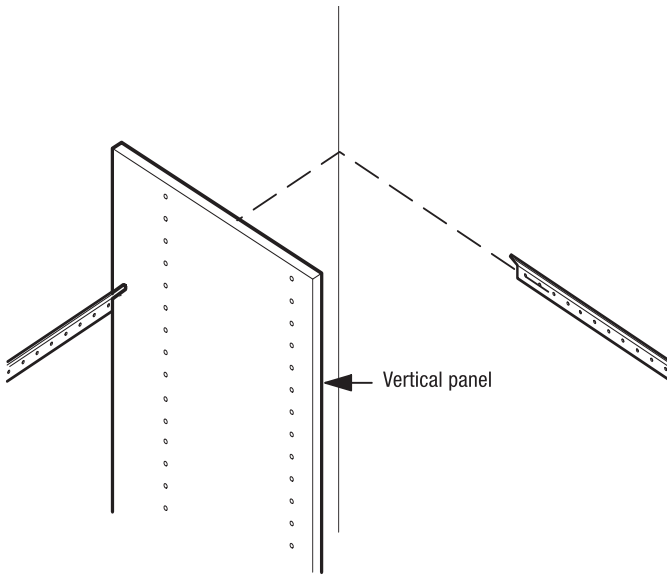
Slide plastic ring along straps until flange of ring is flush against wall.



Bend plastic straps back and forth until they snap off, leaving plastic ring in place.



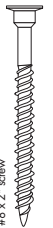
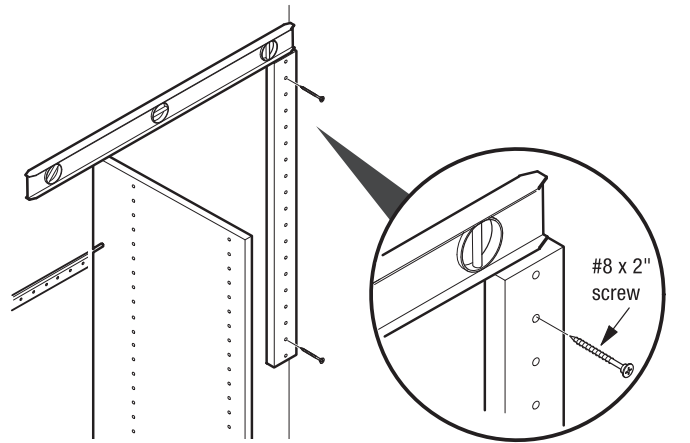
- 5** Hang vertical panel on track approximately 15" from corner.



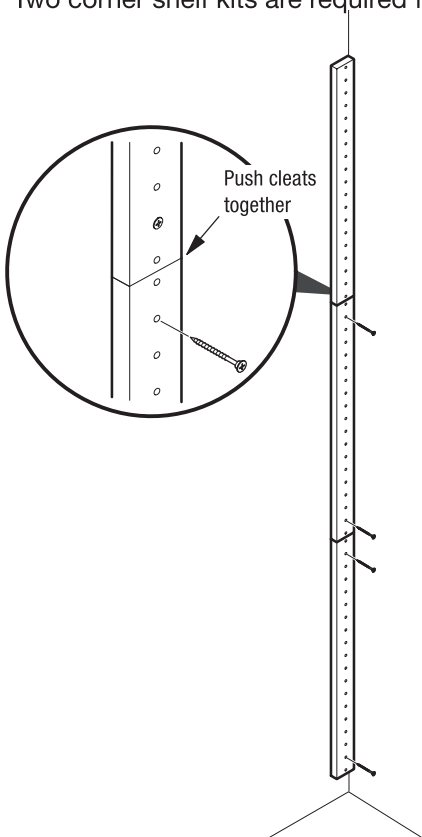
- 6** Position cleat in corner and level with vertical panel. Screw cleat to wall using two (2) #8 x 2" screws.

NOTE

Second hole location is recommended. Top hole will be needed for top shelf.



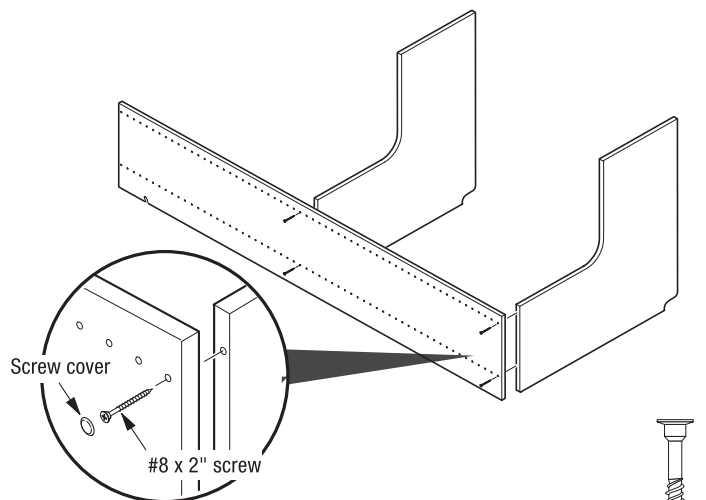
- 7** Remove vertical panel. Install 2nd and 3rd cleat to end of previously installed one with #8 x 2" screws. Two (2) cleats are supplied in one corner shelf kit. Two corner shelf kits are required for a 72" section.



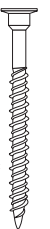
- 8** Corner shelves are supported by using either 48" or 72" vertical panels. Position one of the vertical panels on the floor as shown with front edge up. Attach bottom and middle corner shelf using #8 x 2" screws.

NOTE

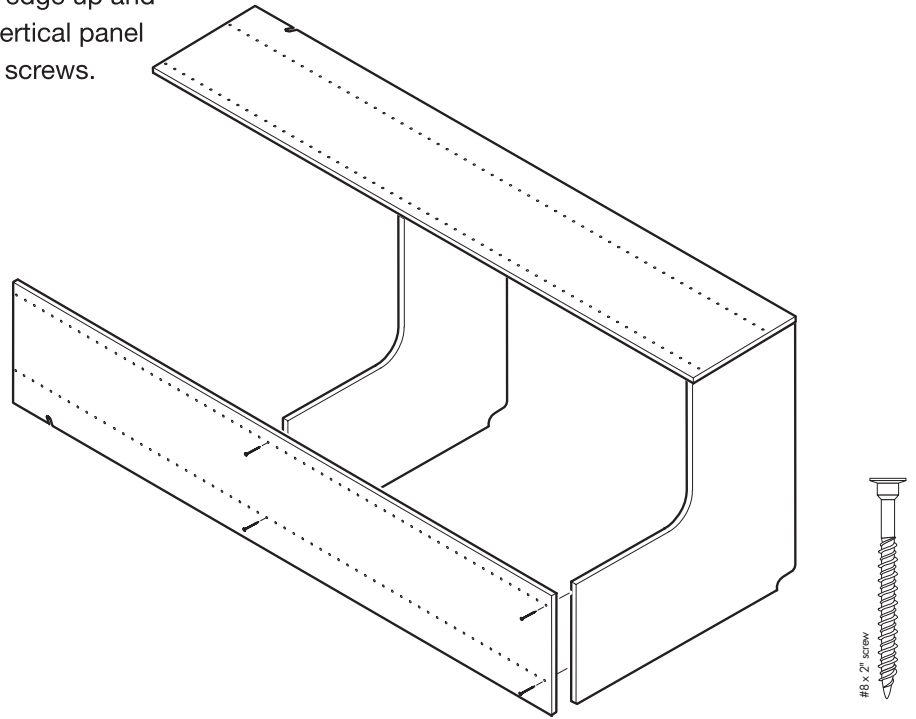
Corner shelves are supported by using either 48" or 72" vertical panels. These panels can be found in D1, D2, or D3.



Screw Cover

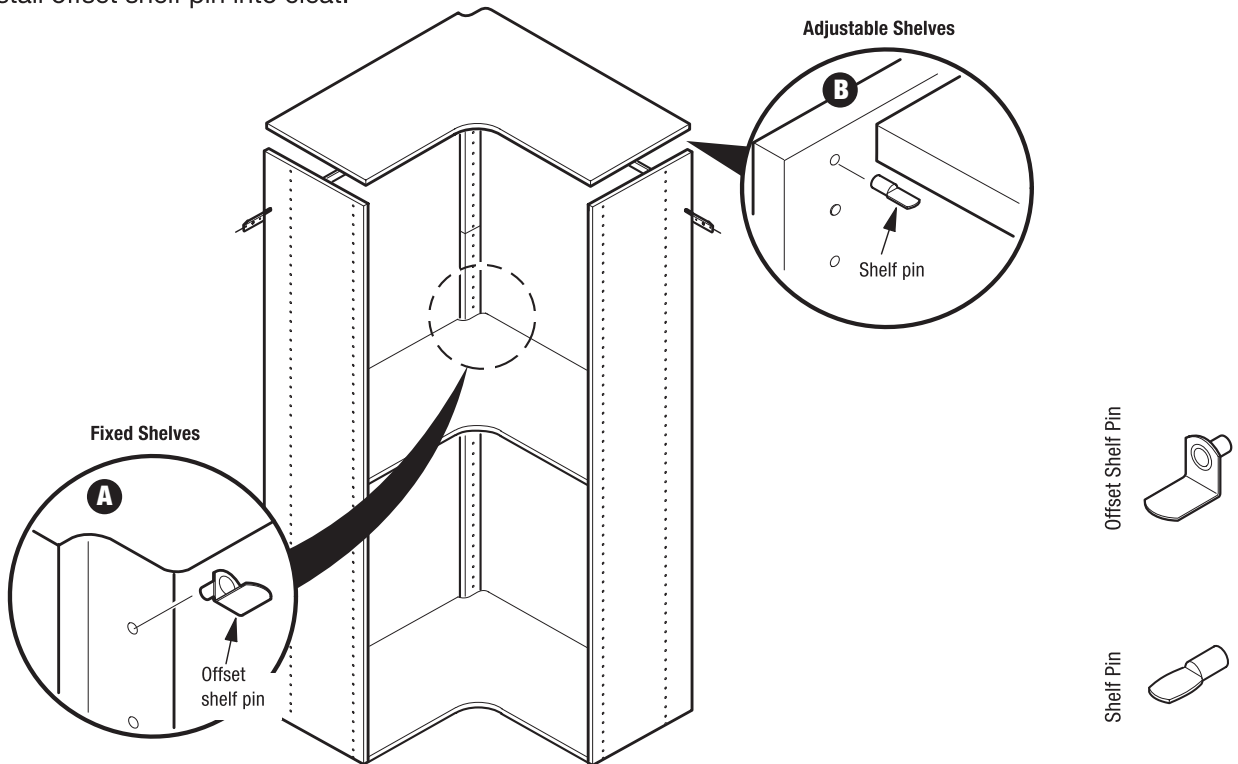


- 9** Rotate assembly as shown. Position the second vertical panel on the floor with the front edge up and next to the corner shelves. Attach the vertical panel to the two corner shelves using #8 x 2" screws.



- 10** Lift assembled corner unit onto track. two people are recommended for this step. Install offset shelf pins on the underside of fixed corner shelf in the corner cleat (Figure A). Lift up back corner of shelf and install offset shelf pin into cleat.

- 11** Install top shelf. Push shelf pins into vertical panels and a shelf pin into the corner cleat (Figure B). Add additional corner shelves if desired.



10 YEAR LIMITED WARRANTY

Martha Stewart Living™ products are manufactured using the highest quality materials to exact tolerances. Our products include a 10 year limited warranty. The manufacturer warrants that the Products you purchased will be free from defects in material and workmanship. The manufacturer will repair or replace any component of the Products you purchased at no charge, if it is defective. Return of the defective item may be required by the manufacturer. This warranty covers only replacement of exact defective product or parts, and does not cover labor or any additional replacement costs. Product must be installed per the manufacturer's instructions to be covered under this warranty.

MARTHA STEWART LIVING and the MARTHA STEWART Logo are trademarks of Martha Stewart Living Omnimedia, Inc. © 2010 Martha Stewart Living Omnimedia, Inc. All rights reserved. Distributed by HOME DEPOT U.S.A., INC., 2455 Paces Ferry Rd., N.W., Atlanta, GA 30339 Printed in U.S.A. Item# 680006-INS 11/09