



Vinyl Fence

Assembly and Installation Instructions

PLEASE READ OWNER'S MANUAL COMPLETELY BEFORE ASSEMBLING YOUR FENCE.

ALL STATED SIZES ARE NOMINAL DIMENSIONS.

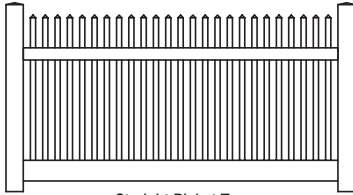
34106379BOM V3 1/14

Owner's Manual

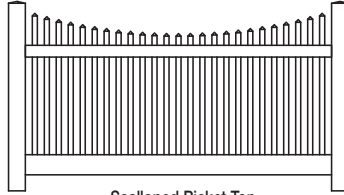
Version

3.0

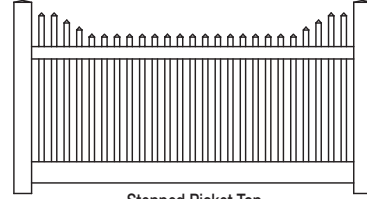
Picket, Closed Top & Semi Privacy Panels



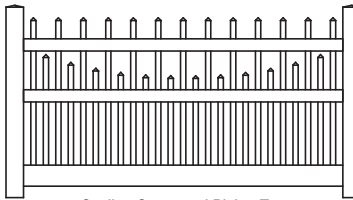
Straight Picket Top



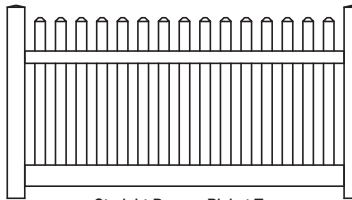
Scalloped Picket Top



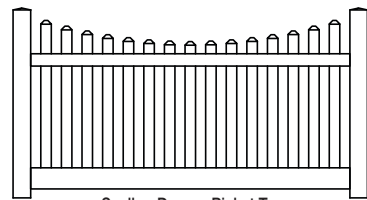
Stepped Picket Top



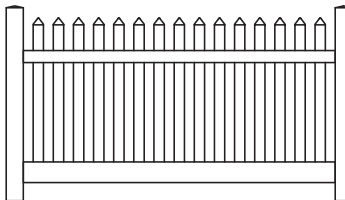
Scallop Staggered Picket Top



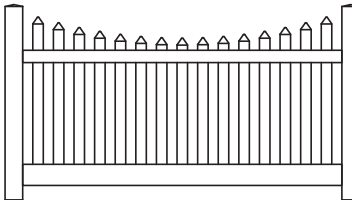
Straight Dogear Picket Top



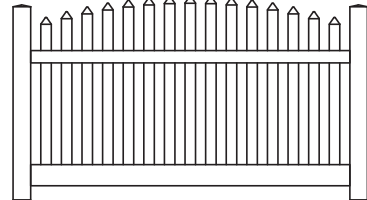
Scallop Dogear Picket Top



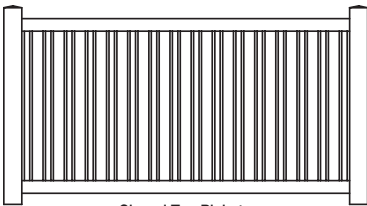
Straight Spade Picket Top



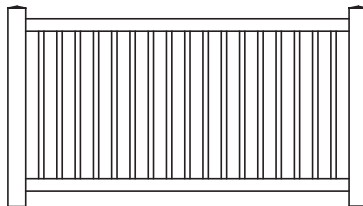
Scalloped Spade Picket Top



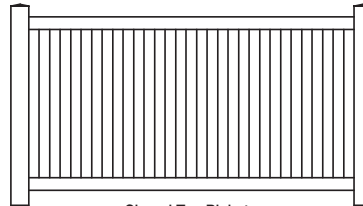
Arched Spade Picket Top



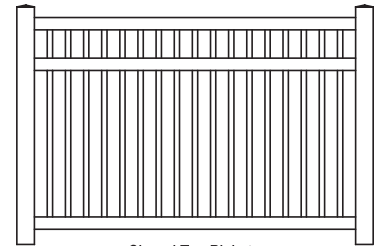
Closed Top Picket



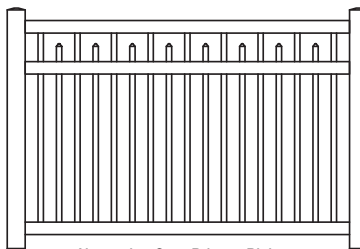
Closed Top Picket



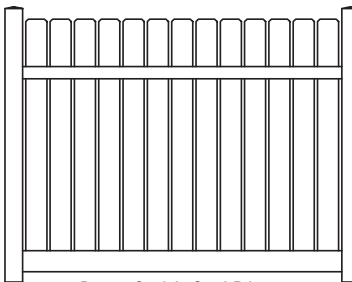
Closed Top Picket



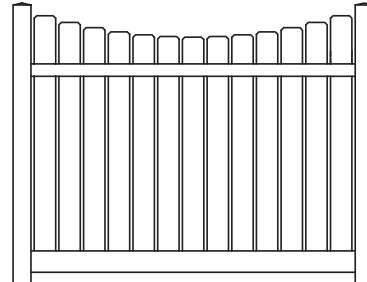
Closed Top Picket



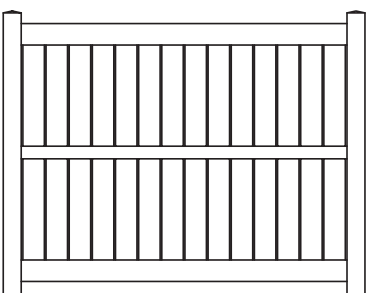
Alternating Semi-Privacy Picket



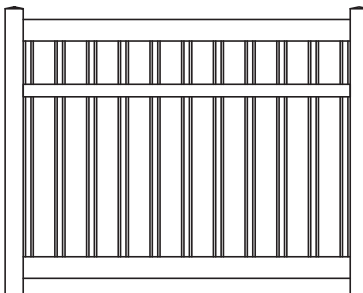
Dogear Straight Semi-Privacy



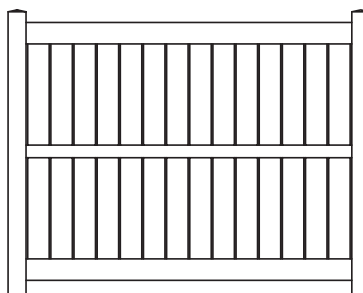
Dogear Scallop Semi-Privacy



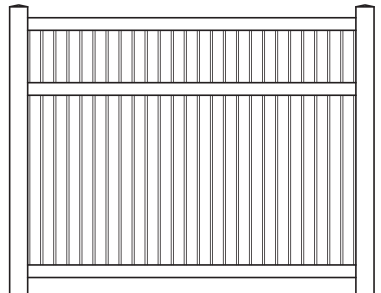
Board on Board Semi-Privacy



Spaced Board Semi-Privacy



Spaced Board Semi-Privacy



Spaced Board Semi-Privacy

To register your product, please visit: www.barretteoutdoorliving.com/product-registration

Thank you for choosing the Barrette Outdoor Living Fence. Please read the instructions completely before assembling your fence. Retain manual and your dated sales slip for future reference and warranty claims.

Before You Begin...

Check your local zoning laws.

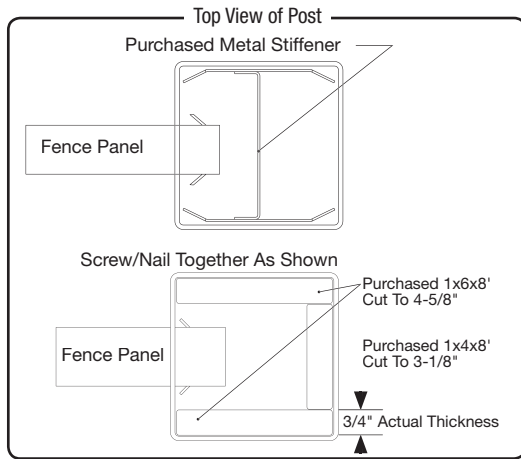
- Local zoning laws and Home Owners Associations may regulate the location, style and height of your fence or even require a permit signoff beforehand.

Contact your local utilities companies.

- You must have the utility companies clearly mark your property for electrical, gas or water lines to avoid puncturing any unseen underground utilities.

Pay to mark your property line.

- Being proactive will save you time and money from any disputes from neighbors.



Post Spacing will be determined by gate width and hardware.

Material Checklist:

- | | |
|---|---|
| <input type="checkbox"/> Flat Head Screwdriver | <input type="checkbox"/> Safety Glasses |
| <input type="checkbox"/> Circular Saw or Hand Saw | <input type="checkbox"/> String Line Stakes |
| <input type="checkbox"/> Bag of High Strength Concrete (1½ bags per hole average) | <input type="checkbox"/> Spool of String |
| <input type="checkbox"/> Coarse Gravel (6" per hole) | <input type="checkbox"/> Vinyl Cement |
| <input type="checkbox"/> Water for Concrete | <input type="checkbox"/> Line Level |
| <input type="checkbox"/> Clean Rags | <input type="checkbox"/> Tape Measure |
| <input type="checkbox"/> Post Hole Digger | <input type="checkbox"/> Shovel |
| | <input type="checkbox"/> Rubber Mallet |

ATTENTION: Before you assemble the fence:

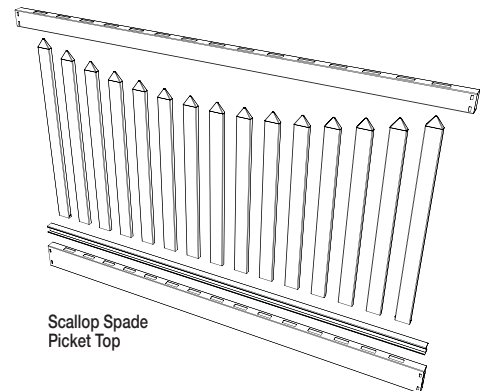
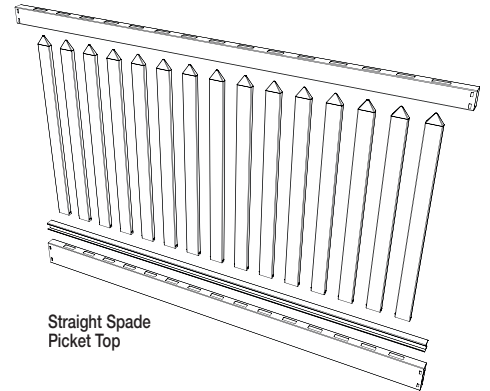
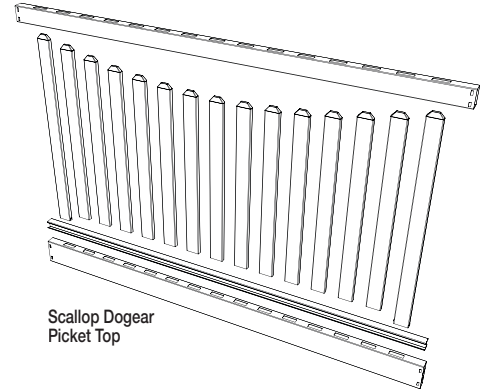
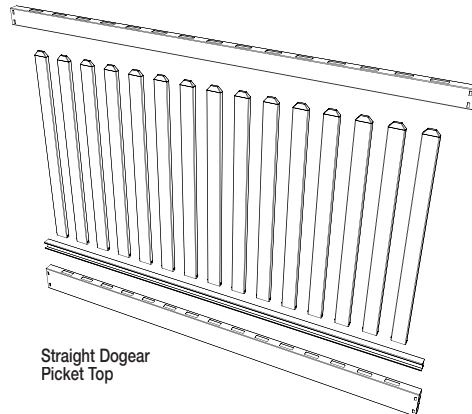
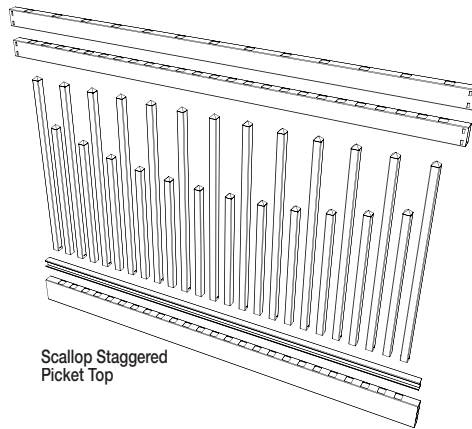
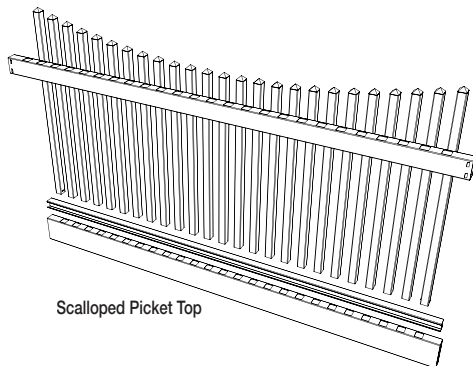
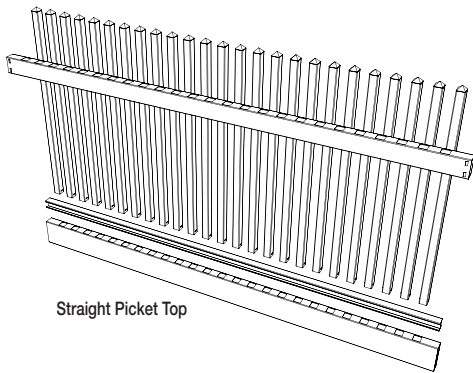
PLEASE TAKE A COMPLETE INVENTORY OF ALL PARTS USING THE KIT CONTENTS.

DO NOT ATTEMPT TO ASSEMBLE THE FENCE IF PARTS ARE MISSING OR DAMAGED.

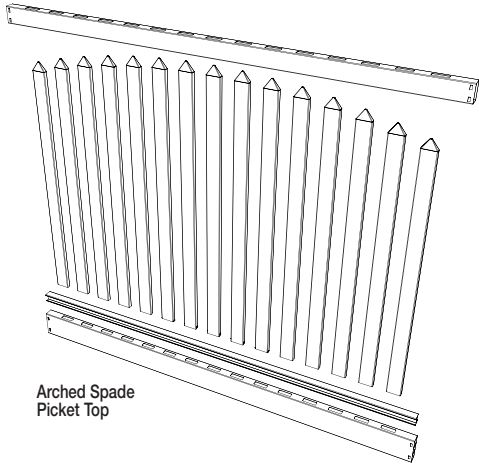
Please do not return the product to the store, for assistance or replacement parts call:

1-800-336-2383

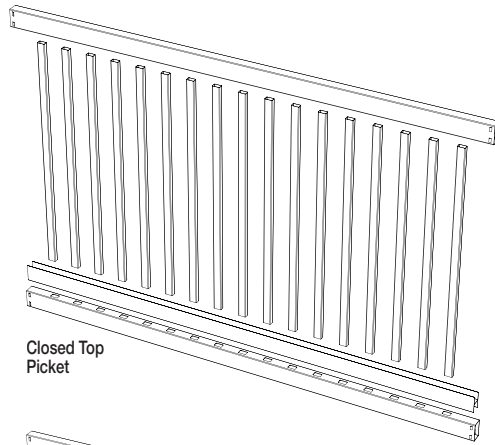
Panel Assembly:



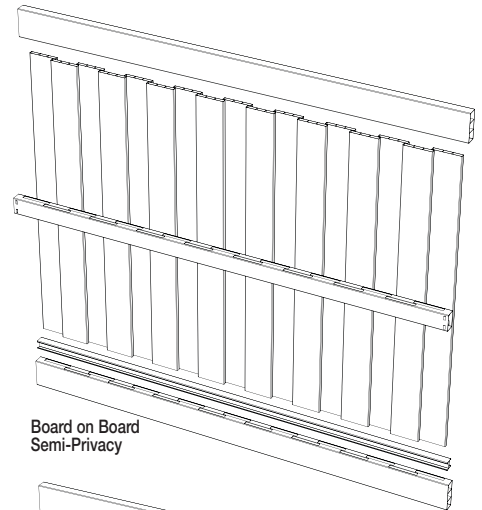
Panel Assembly:



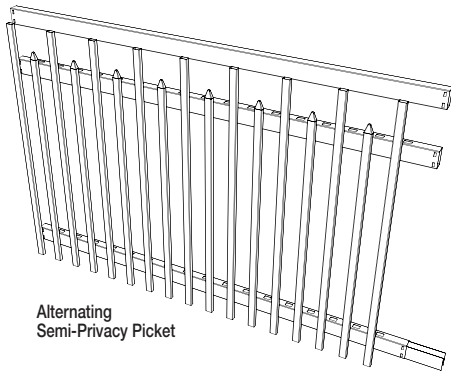
Arched Spade Picket Top



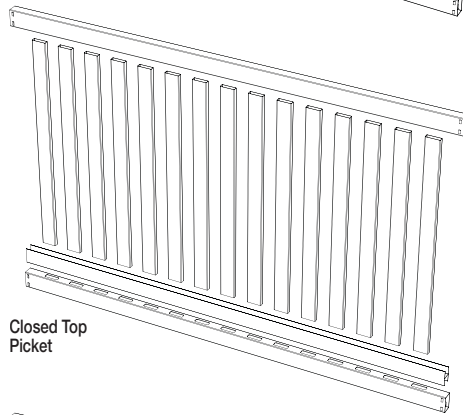
Closed Top Picket



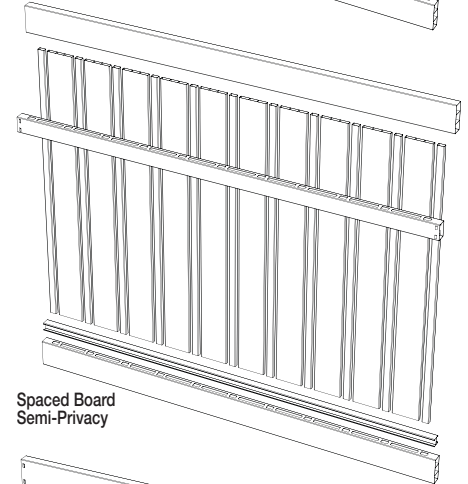
Board on Board Semi-Privacy



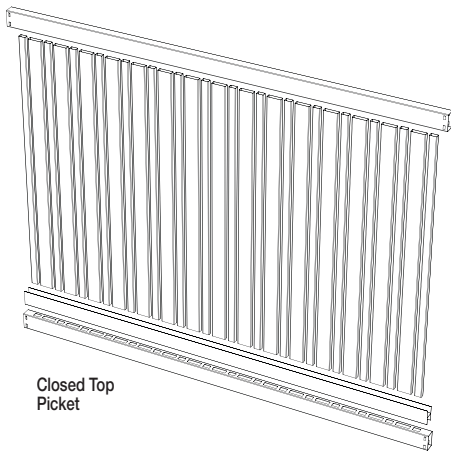
Alternating Semi-Privacy Picket



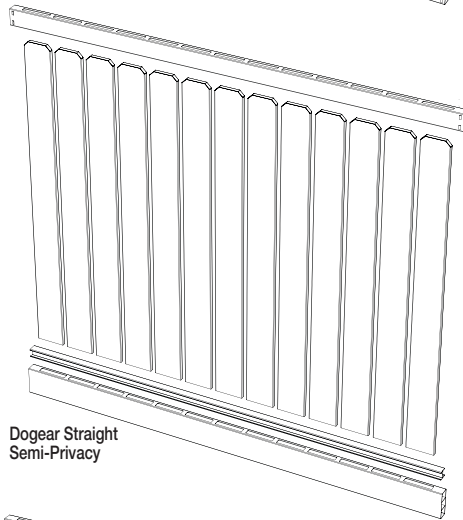
Closed Top Picket



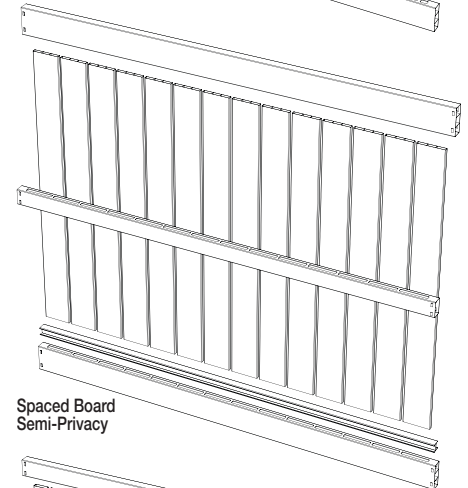
Spaced Board Semi-Privacy



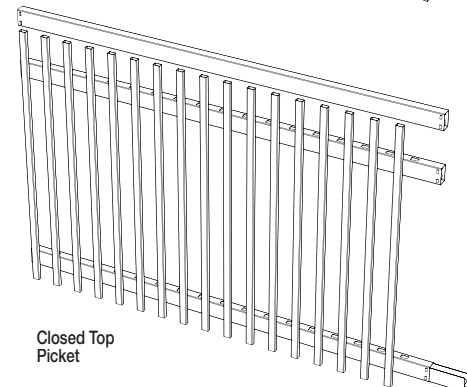
Closed Top Picket



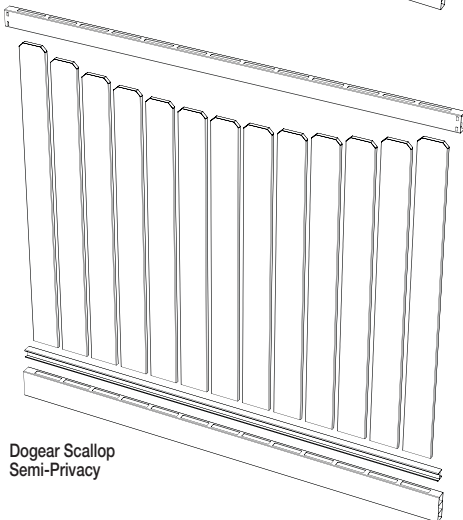
Dogear Straight Semi-Privacy



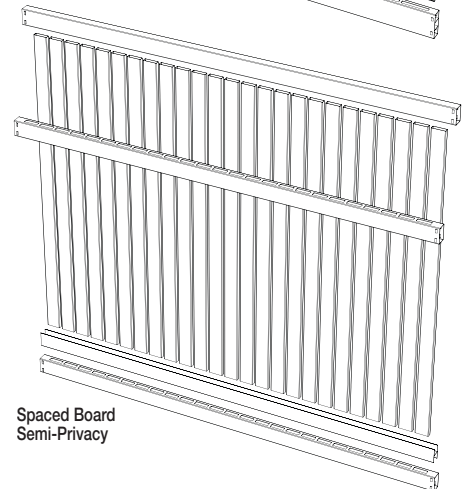
Spaced Board Semi-Privacy



Closed Top Picket

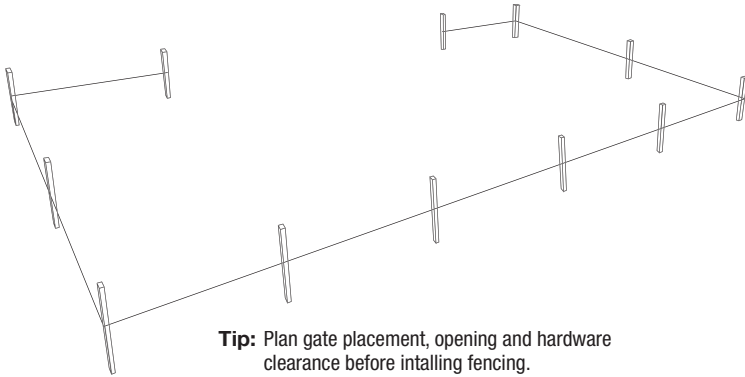


Dogear Scallop Semi-Privacy



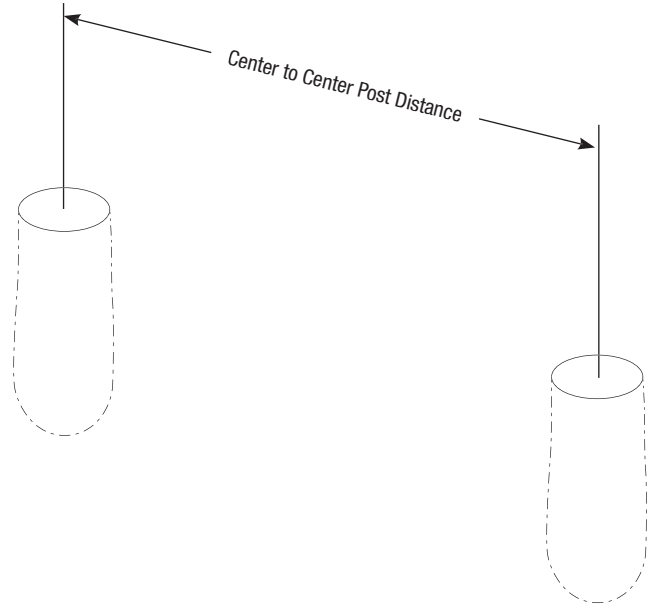
Spaced Board Semi-Privacy

1 Mark the fence location using string and line stakes.

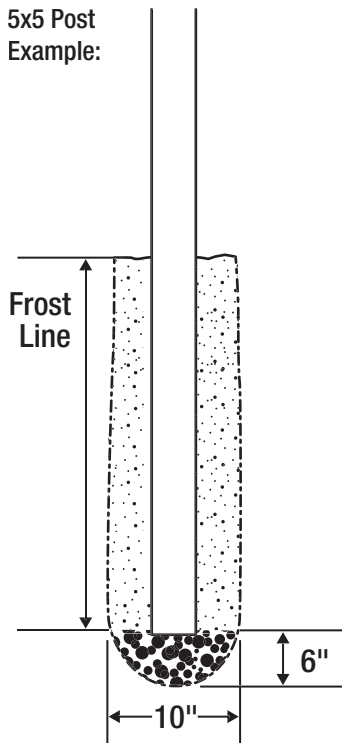


NOTE: DO NOT pre-dig all post holes. To ensure proper post spacing, install post-panel-post-panel-etc. until all fence panels and posts have been installed.

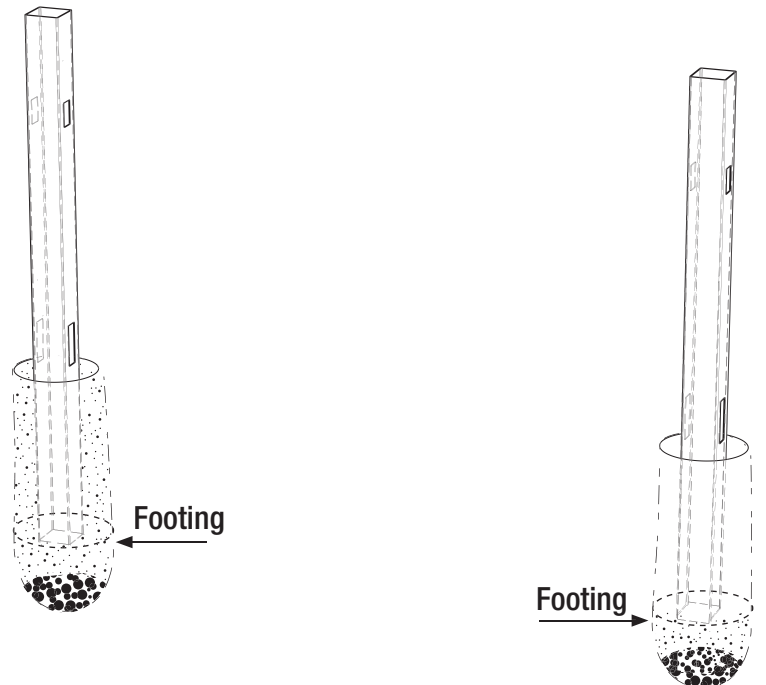
2 For 5x5 posts dig post holes 10" in diameter; For 4x4 posts dig post holes 8" in diameter to your specified frost line. If frost line is less than 30" deep, dig hole a minimum of 30" deep. Use center to center measurements of the fence model being installed for center to center post distance. If a fence panel is being used that is less than the width of a full panel, measure the width of the panel and add the width of one post, that will be the center to center post distance of the holes.



3a If frost line does not exceed 30", put 6" of gravel into bottom of both holes and insert posts. Add concrete to first post hole according to manufacturer's instructions to the top of the post hole. Ensure first post is plumb and level. Do not add concrete to second hole until later in installation. Go to step 4.

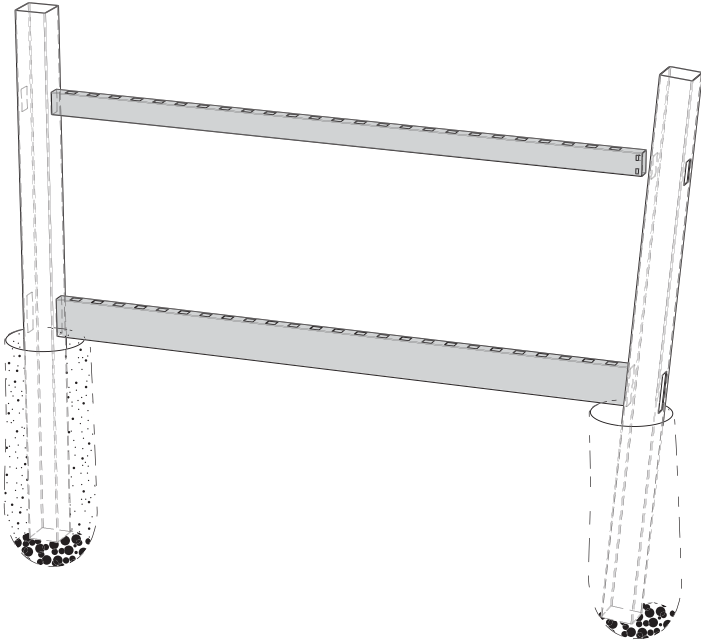


3b If frost line exceeds 30" dig hole to the appropriate depth and then add 6" of gravel for post drainage. Add concrete according to manufacturer's instructions until a depth of 24" remains and let concrete set to create a footing. Set post in first post hole and add concrete around post according to manufacturer's instructions. Ensure first post is plumb and level. Make sure panel will be 2" above ground or check with local building codes on fence height requirements. It is OK to add concrete to second hole to create a footing, but do not add concrete around second post until later in the installation.

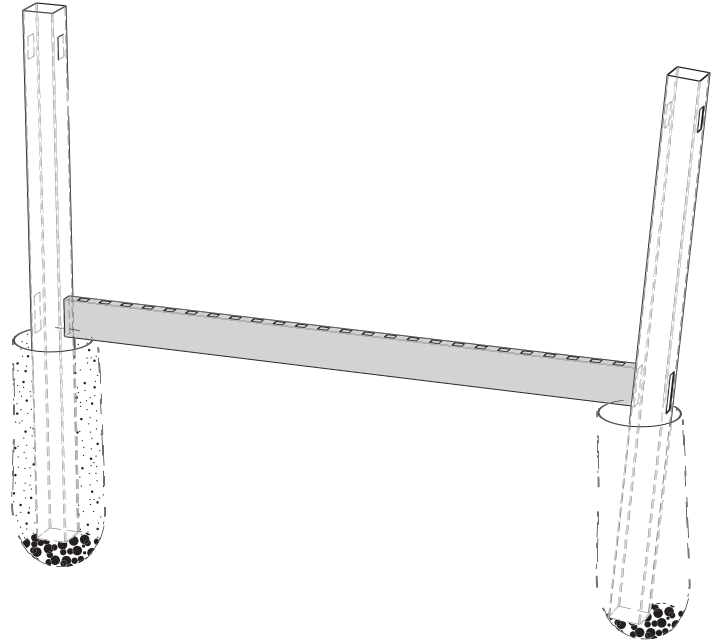


4a

Insert top and bottom rails into top and bottom post holes routes of both posts.

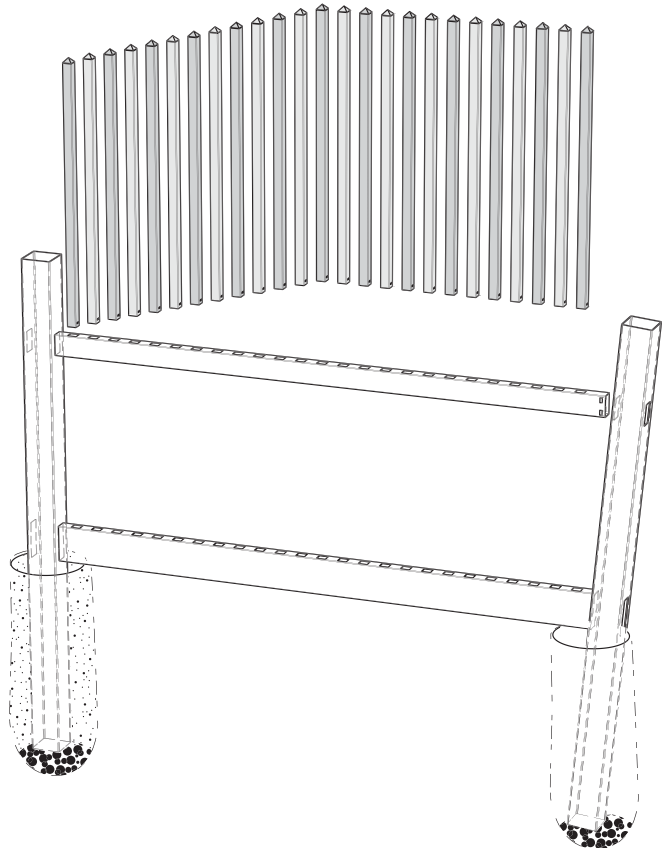
**4b**

For panels that do not have pickets going above the top rail only insert bottom rail with aluminum insert into both posts.

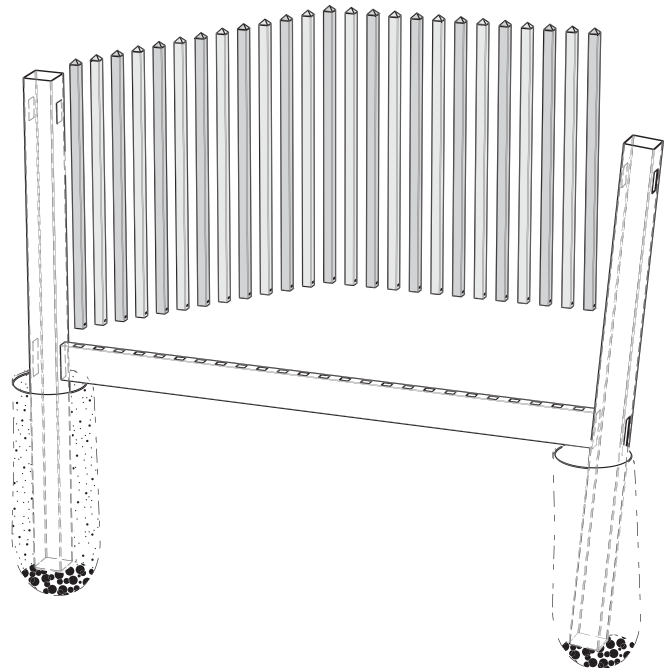
**5a**

Starting from the left side, insert pickets/boards down through the top rail. Finish by locking pickets/boards into bottom rail.

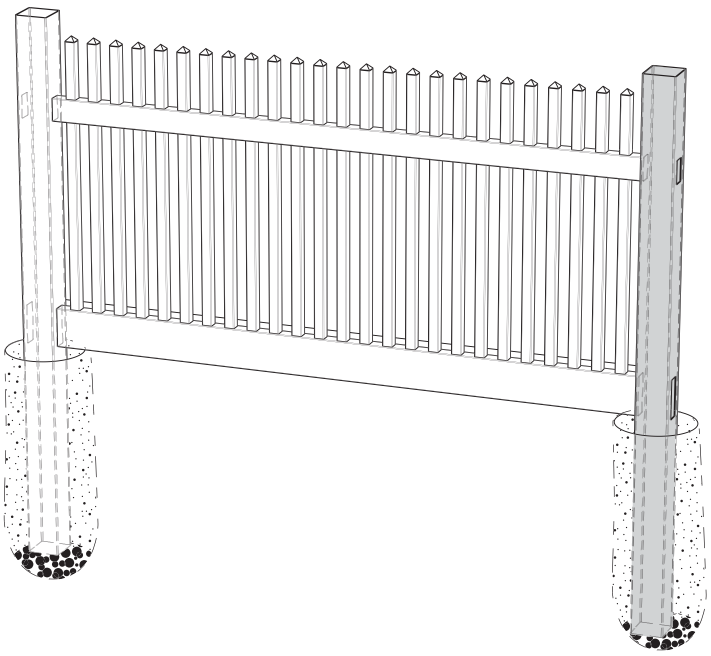
NOTE: Scalloped and Arched panels have pickets/boards that are numbered. Start from left side with #1 picket/board first.

**5b**

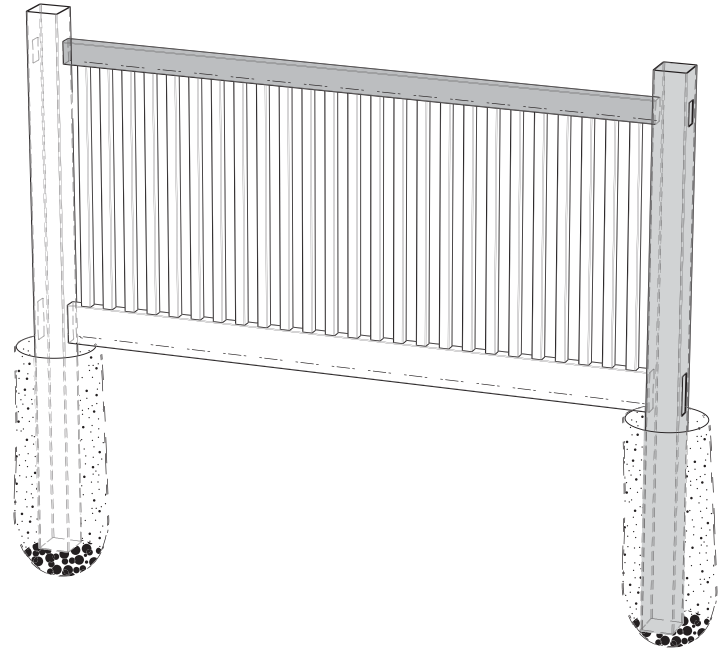
For panels that do not have pickets going above the top rail, insert all pickets into installed bottom rail locking pickets into place.



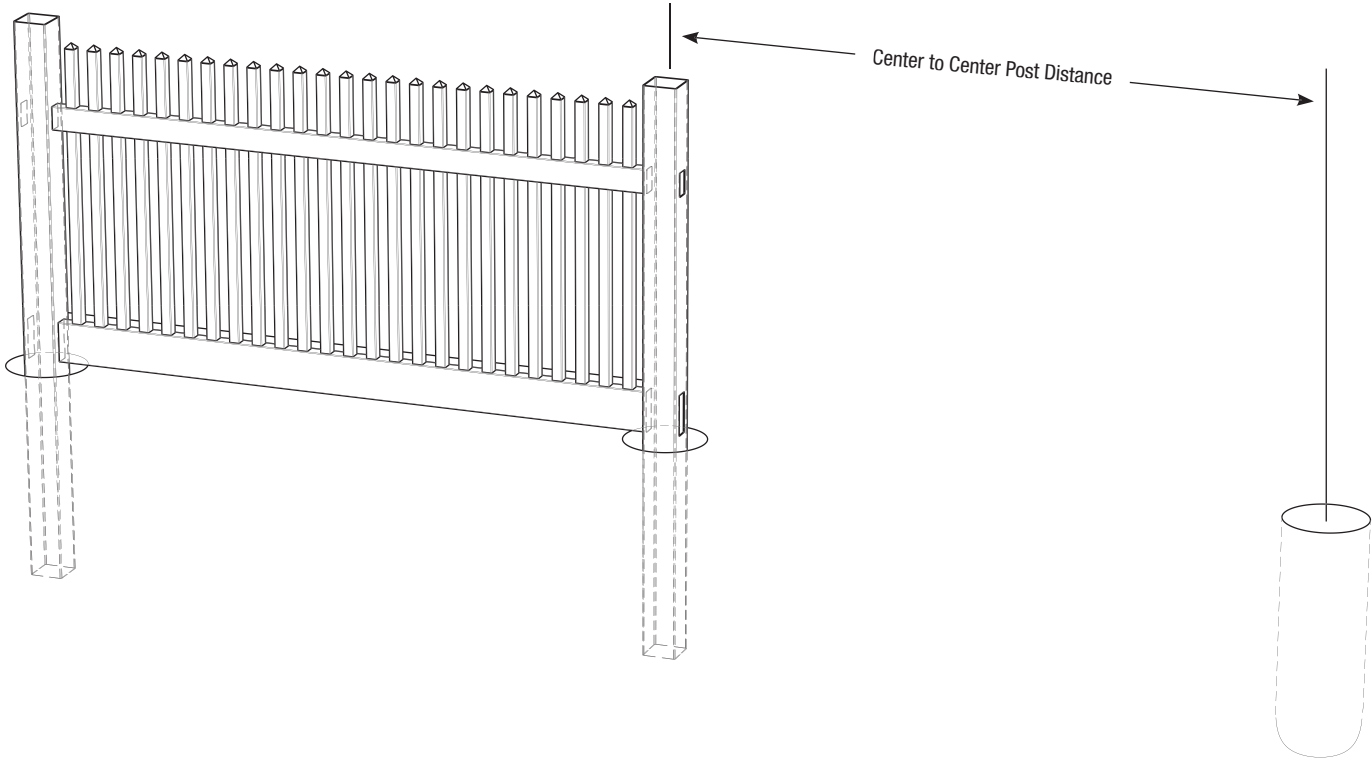
6a Plumb and level second post and add concrete according to manufacturer's instructions to top of post hole.



6b For panels that do not have pickets going above the top rail, add top rail to pickets working from left to right. Once top rail is engaged with all pickets snap top rail into both top post hole routes. Plumb and level second post and add concrete according to manufacturer's instructions to top of post hole.

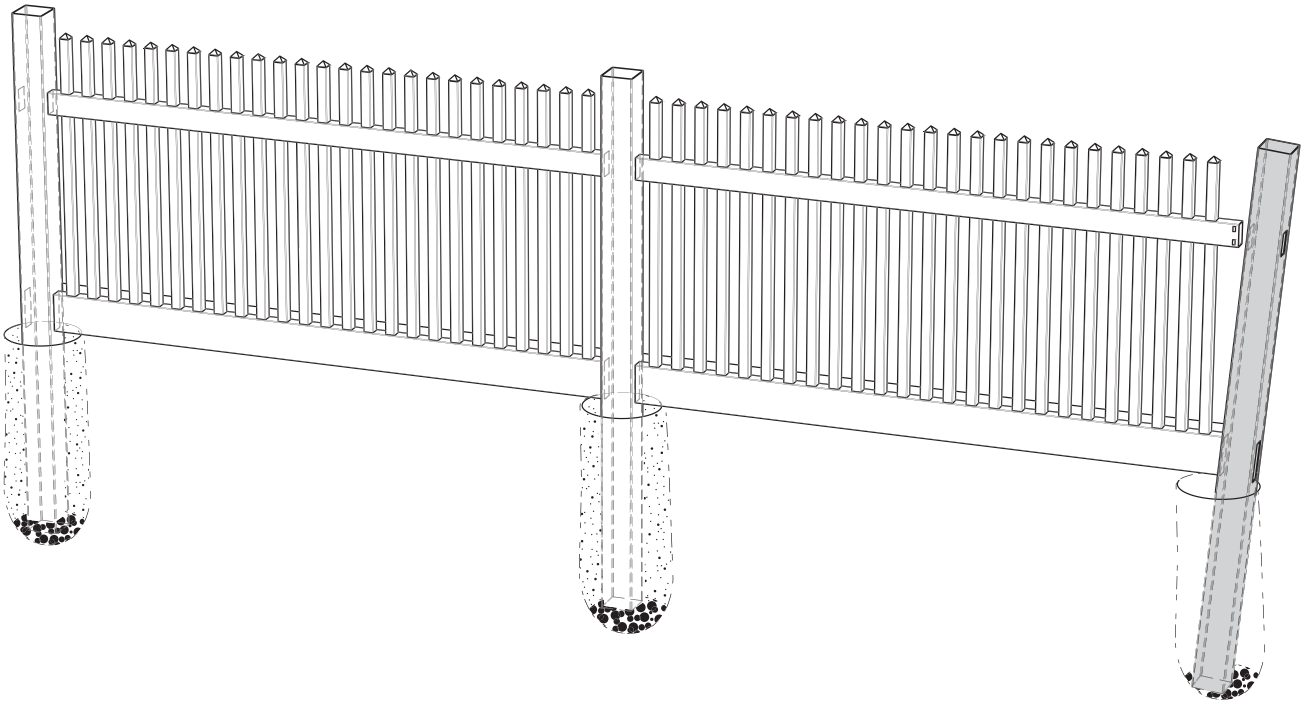


7 Check to ensure the second post is level, then add panel width plus one half the width of your post. This will locate the center of your next hole. Then dig the third post hole accordingly.



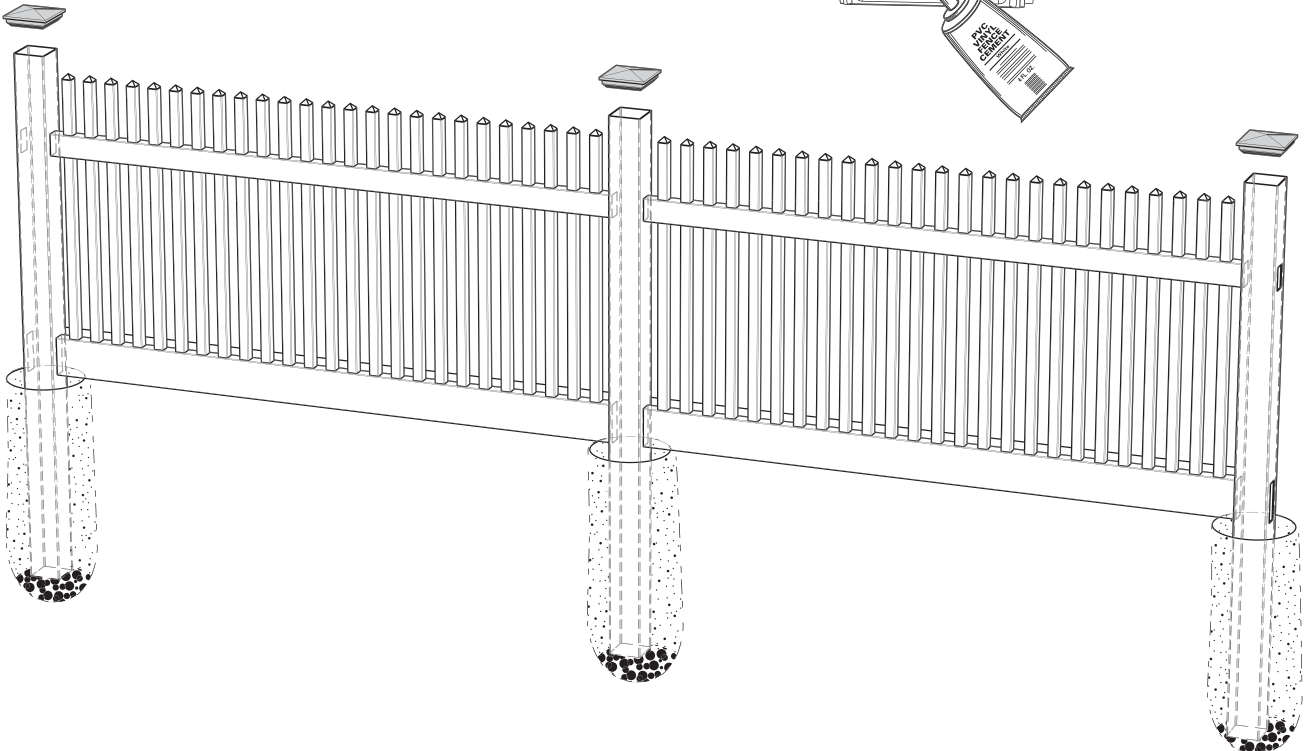
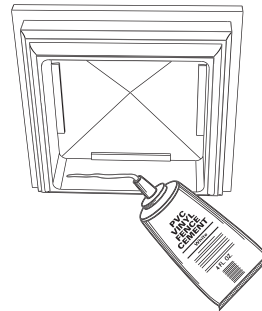
8

Repeat process from steps 2 to 8 until all fence panels and posts have been installed.



9

Apply glue on inside rim of post caps then attach to posts.





Transferable Limited Lifetime Warranty

What is covered: Barrette Outdoor Living warrants vinyl and aluminum products to include; vinyl and aluminum fence, vinyl and aluminum railing and plastic lattice against defects or workmanship for as long as you own your home. Barrette Outdoor Living will at its option replace the product in question with new product of the same or equivalent value at no charge. Barrette Outdoor Living warrants these products against peeling, flaking, splintering, corrosion, rusting or abnormal discoloration under normal use. This warranty extends to the original purchaser or transferee as specified herein on the products noted above. Separate and distinct warranties for hardware and other products are not covered under this warranty.

What this warranty does not cover: This limited warranty does not cover damage resulting from accident, unreasonable use, neglect, alteration, improper service, improper installation, acts of God or any other causes not arising out of defects in materials or workmanship. Additionally, this warranty does not cover costs of installation, removal, reinstallation or surface mold and mildew created by excessive environmental conditions. Any service or repair provided outside the scope of this limited warranty shall be at Barrette Outdoor Living's rate and terms then in effect.

What do we do to correct the problems? Should your Barrette Outdoor Living product prove defective under warranty, reference the website or call the phone number listed below. Your problem will be assigned a tracking number and an authorized Barrette Outdoor Living representative will contact you to arrange a convenient time to schedule an onsite inspection, or request pictures, if need be. If after inspection product is deemed to be manufacturer defect we will make arrangements to rectify the issue. You must have proof of your purchase in order for the problem to be corrected.

Transferee Coverage: Warranty coverage will be extended to one transferee on the above listed products with the following limitations. Transferee must obtain an original or copy of the initial sales receipt (with proof of date) from the previous owner(s). Additionally, if fence is purchased from a builder or installer, documentation must be supplied that names the product installed on property and date of transfer.

Registration: To activate this warranty, the online registration card must be completed and returned to Barrette Outdoor Living within 30 days of installation.

Additionally, this Warranty does not cover damage associated with surface mold and mildew resulting from environmental conditions including air pollution, or any other causes not arising out of defects in materials or workmanship by Barrette Outdoor Living.

This Warranty does not cover costs of removal or disposal of product, or reinstallation of replacement product. Any service provided outside the scope of this limited Warranty shall be at Barrette Outdoor Living's standard rate and terms then in effect.

Barrette Outdoor Living reserves the right to discontinue or modify any of its products, including the color of its products, without notice to the homeowner/consumer, and Barrette Outdoor Living does not warrant that any replacement material will match or be identical to the original product as replacement products may vary in color or gloss in comparison to the original product as a result of normal weathering. If Barrette Outdoor Living replaces any material under this Warranty, it may substitute products designated by Barrette Outdoor Living to be of comparable quality or price range in the event the product initially installed has been discontinued or modified.

THIS WARRANTY IS IN LIEU OF ALL CONDITIONS OR WARRANTIES, EXPRESS, OR IMPLIED INCLUDING BUT NOT LIMITED TO ANY IMPLIED CONDITIONS OR WARRANTIES OR MERCHANTABILITY OR FITNESS FOR A PARTICULAR PURPOSE ON THE PART OF Barrette OR ITS LICENSORS, SOME STATES DO NOT ALLOW THE EXCLUSIONS OF IMPLIED WARRANTIES OR LIMITATIONS OF HOW LONG AN IMPLIED WARRANTY LASTS, SO THE ABOVE LIMITATIONS MAY NOT APPLY TO YOU. IF THE PRODUCT IS DEFECTIVE PER THE ABOVE COVERAGES, YOUR SOLE AND EXCLUSIVE REMEDY SHALL BE REPAIR OR REPLACEMENT AS PROVIDED ABOVE. BARRETTE AND ITS LICENSORS SHALL NOT BE LIABLE FOR ANY DAMAGES, LOSS OF USE, LOSS OF PROFITS OR INTERRUPTION OF BUSINESS WHETHER SUCH ALLEGED DAMAGES ARE BASED IN WARRANTY, TORT, CONTRACT, OR INDEMNITY. SOME STATES DO NOT ALLOW THE EXCLUSION OF LIMITATIONS OF INCIDENTAL OR CONSEQUENTIAL DAMAGES, SO THE ABOVE LIMITATIONS MAY NOT APPLY TO YOU. This warranty is valid only in the United States and Canada.

For any specific questions about the Barrette Outdoor Living Warranty or to make a warranty claim please contact Barrette Outdoor Living by visiting our website www.barretteoutdoorliving.com, emailing or calling 1-800-336-2383.

Begin your warranty coverage and register your Barrette Outdoor Living product at
www.BarretteOutdoorLiving.com