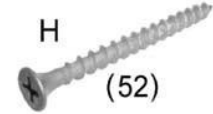
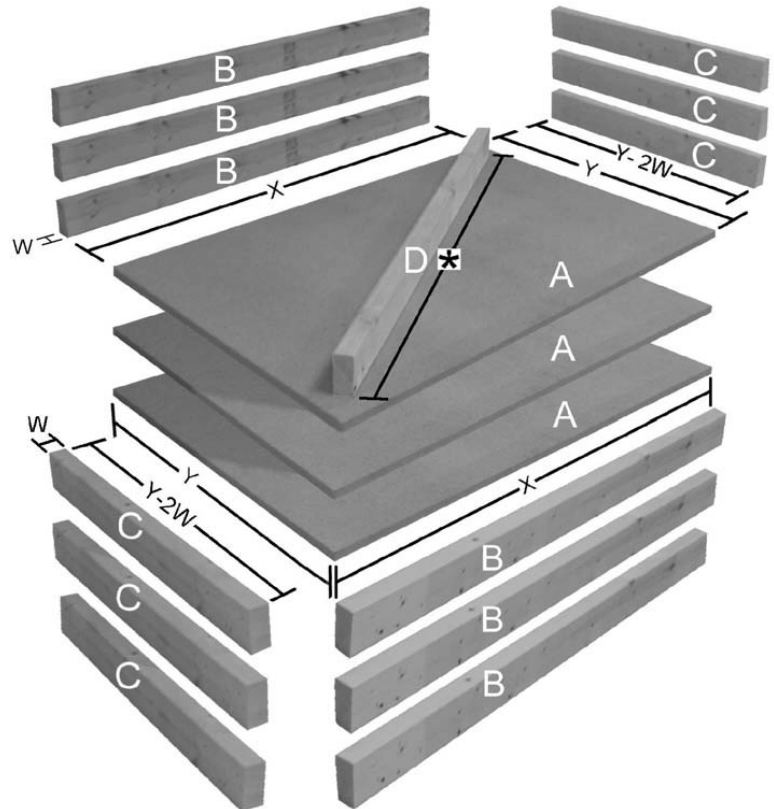


2x4 basics
STORAGE SYSTEM
WORKBENCH LEGS
 GARAGE • BASEMENT • WORKSHOP



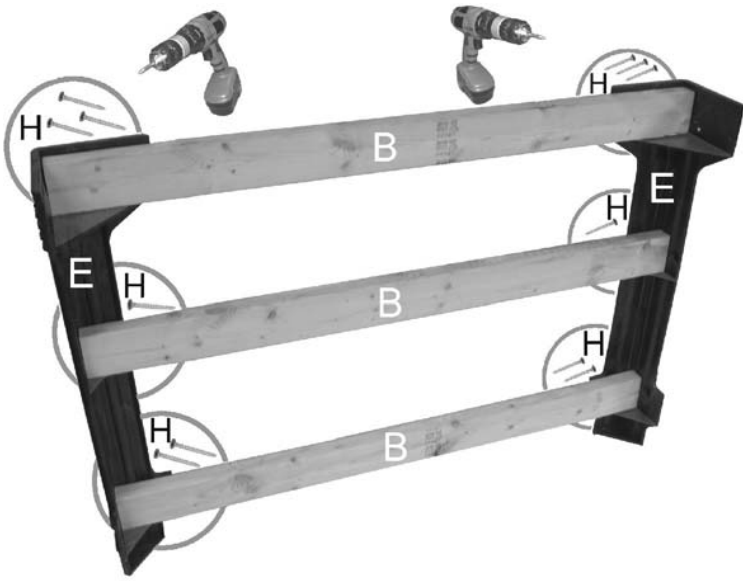
$A = X \times Y \times 0.50'' \rightarrow 1.0''$
 $= X \times Y \times 13\text{mm} \rightarrow 25\text{mm}$
B, C, D = 2x4's x ____
 $= 1.5'' \times 3.5'' \times ______$
 $= 38\text{mm} \times 89\text{mm} \times ______$



* This diagonally placed 2x4 helps support the worktop. It is best cut to fit, but the length can be calculated as:

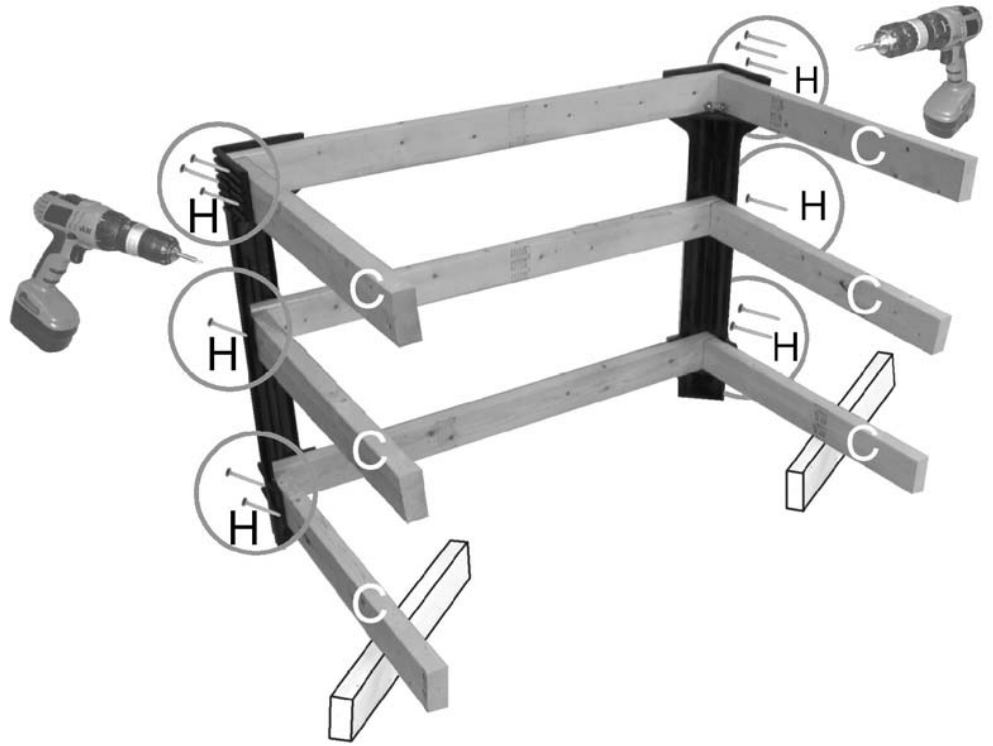
$$(\sqrt{((\text{length} - 3'')^2 + (\text{width} - 3'')^2)}) - 1.25''$$

1

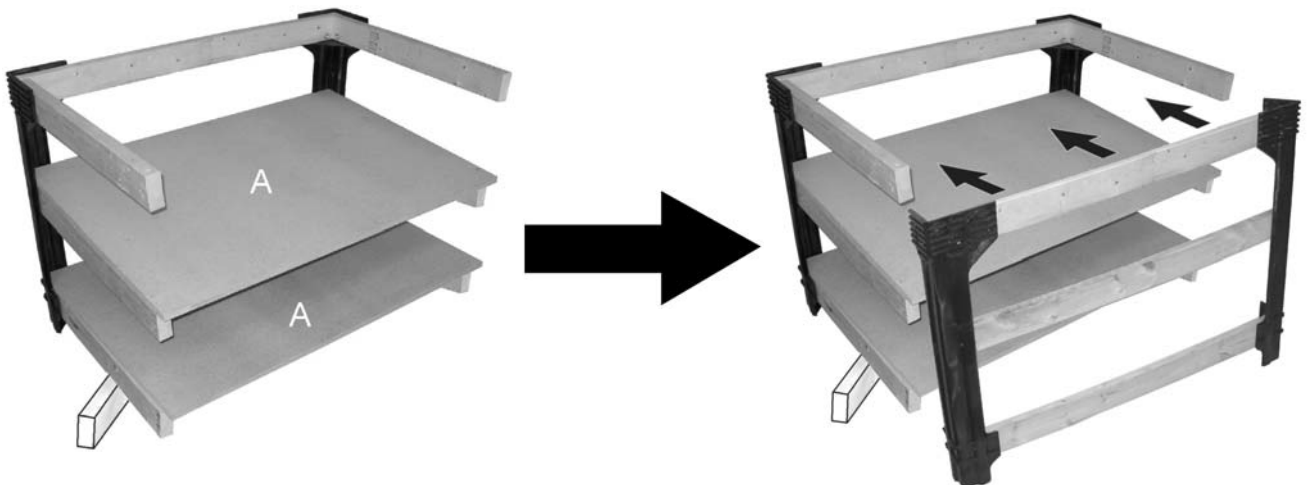


x2

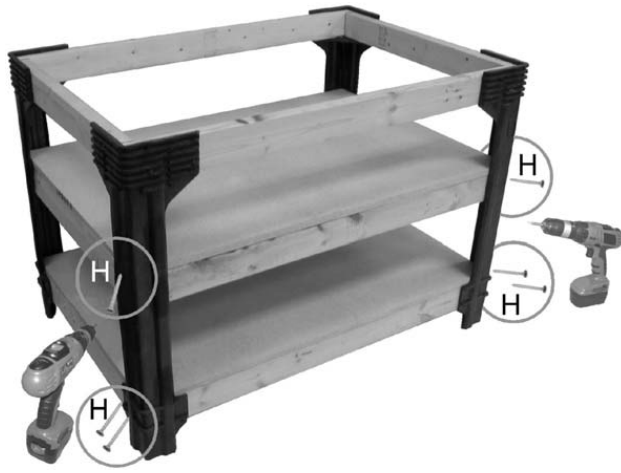
2



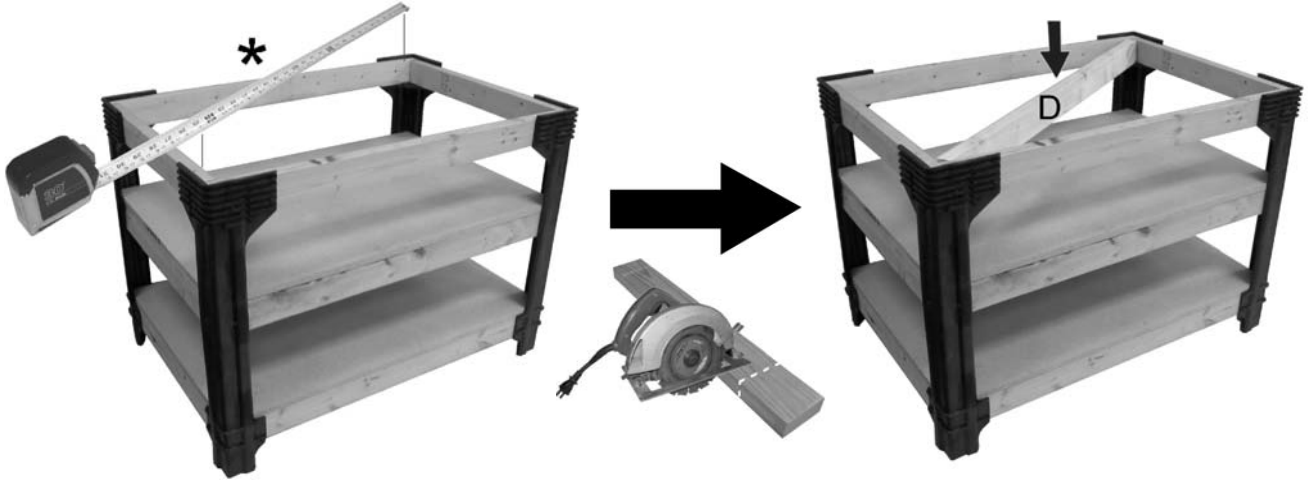
3



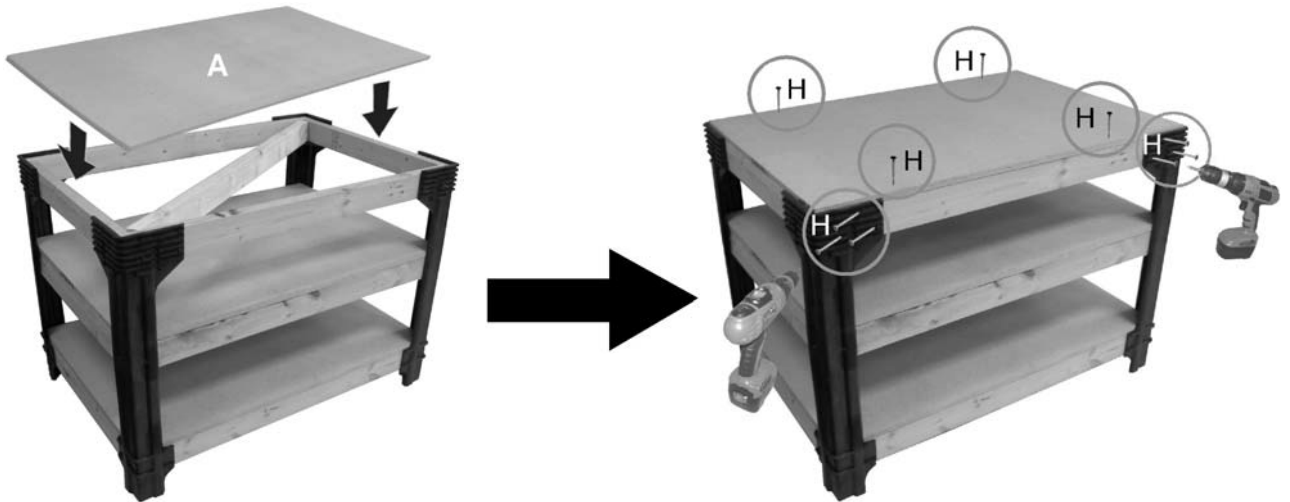
4



5



6



2-Year Limited Warranty for this 2x4basics product purchased for normal household use. F3 Brands, LLC warrants this product to the original purchaser of a F3 Brands product that it will be free from defects in material and workmanship for a period of 2 years from the date of purchase. F3 Brands, LLC will repair, replace, or refund the purchase price of the product, at the option of F3 Brands, upon return of the product and the original receipt. In the US, this warranty gives you specific legal rights that may vary from state to state.

2x4basics®

Make it AnySize™

BRANDS
FORM+FIT+FUNCTION

2400 NW Industrial Pkwy

Miami, OK 74354

877-922-5489



For more storage ideas,
visit www.2x4basics.com