

# Installation Guide

## Vibracoustic Flanged Bath with Heated Surface

Retain serial number for reference:  
Conserver le numéro de série pour référence:  
Guarde el número de serie para referencia: \_\_\_\_\_  
Français, page "Français-1"  
Español, página "Español-1"

THE BOLD LOOK  
OF **KOHLER**®

# IMPORTANT INSTRUCTIONS



**WARNING:** When using electrical products, basic precautions should always be followed, including the following:



**WARNING: Risk of electric shock.** Connect only to a circuit protected by a Ground-Fault Circuit-Interrupter (GFCI)\*. **Grounding is required.** The unit should be installed and grounded by a qualified service representative.



**WARNING: Risk of electric shock.** A qualified electrician should route all electrical wiring.



**WARNING: Risk of electric shock.** Disconnect power before servicing.



**WARNING: Risk of electric shock.** Do not operate electrical powered auxiliary devices near water.



**WARNING: Risk of property damage.** Building materials and wiring should be routed away from the heat-producing components of the bath.



**WARNING: Risk of injury or property damage.** Please read all instructions thoroughly before beginning installation.

**NOTICE:** Follow all plumbing, electrical, and building codes.

\*Outside North America, this device may be known as a Residual Current Device (RCD).

## Product Information

### Electrical Requirements



**WARNING: Risk of burns, fire, electric shock, or injury.** Do not operate the heater if the power supply cord is damaged. For proper guidance to have this product repaired, please call: 1-800-4KOHLER from within the USA or Canada, or 001-800-456-4537 from within Mexico.

This installation must have a Class A Ground-Fault Circuit-Interrupter (GFCI)\*. The GFCI protects against line-to-ground shock hazard. **Use a 120 V, 15 A, 60 Hz dedicated service for the bath.**

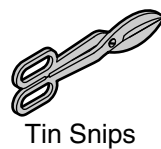
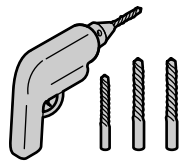
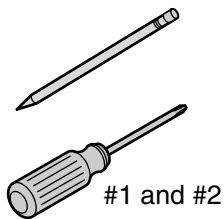
Two 120 V, 15 A (240 V, 15 A in Latin America) GFCI electrical outlets are required. One outlet should be located within the stud framing and within 24" (610 mm) of the control amplifier. The other outlet must be within 24" (610 mm) of the junction box mounted to the control board at the lumber end of the bath. Both outlets may share the same electrical service, but no other load should be on this circuit.

\*Outside North America, this device may be known as a Residual Current Device (RCD).

### Factory-Assembled Features

Factory installed components include heated surface with power supply cord, transducers, and chromatherapy lights (if equipped). Other than power wiring and plumbing, no assembly is needed.

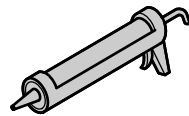
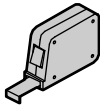
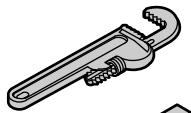
## Tools and Materials



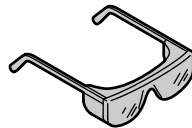
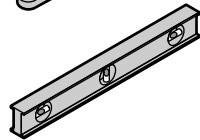
Tin Snips

### Plus:

- Conventional woodworking tools and materials
- 2x4s
- Conduit
- Drop cloth
- Mortar cement (Optional)
- Construction adhesive (Optional)
- Felt Strips



100% Silicone Sealant



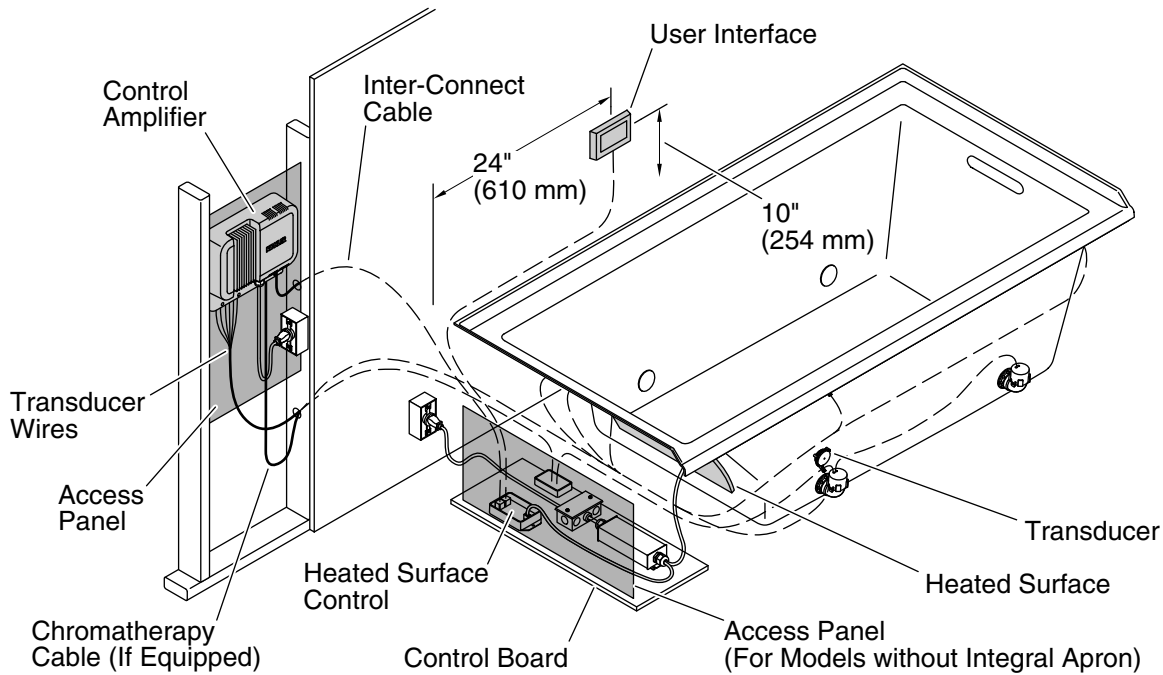
## Before You Begin

**NOTICE:** Adequate floor support must be provided. Note the **model number** on the back of the bath, then visit the product page at [www.kohler.com](http://www.kohler.com) for additional information.

**NOTICE:** Do not support the load weight of the bath by the rim.

**NOTICE:** Verify adequate support if installing a rim- or deck-mount faucet. Large faucets that may be inadvertently used as a means of support are not safe for this installation.

- Read these instructions and determine the locations of all required components before beginning installation.
- Provide access to the control amplifier and control board connections for servicing.
- This bath is designed for three side alcove installation.
- The control amplifier may be installed remotely and includes a 25' (7.6 m) cable.
- Use conduit to route electrical wires from the circuit breaker.
- Choose the location for a battery operated auxiliary audio device, if used. Do not locate AC powered devices within reach of the bath.
- Carefully plan moving the bath into the installation area. This bath will not easily fit through doorways.
- Inspect the bath and components before beginning installation. If there is damage, do not install the bath; contact your dealer.
- Install this bath on a level subfloor. Shims may be needed if the subfloor is uneven.
- This bath conforms to CSA B45.5/IAPMO Z124. All dimensions are nominal.

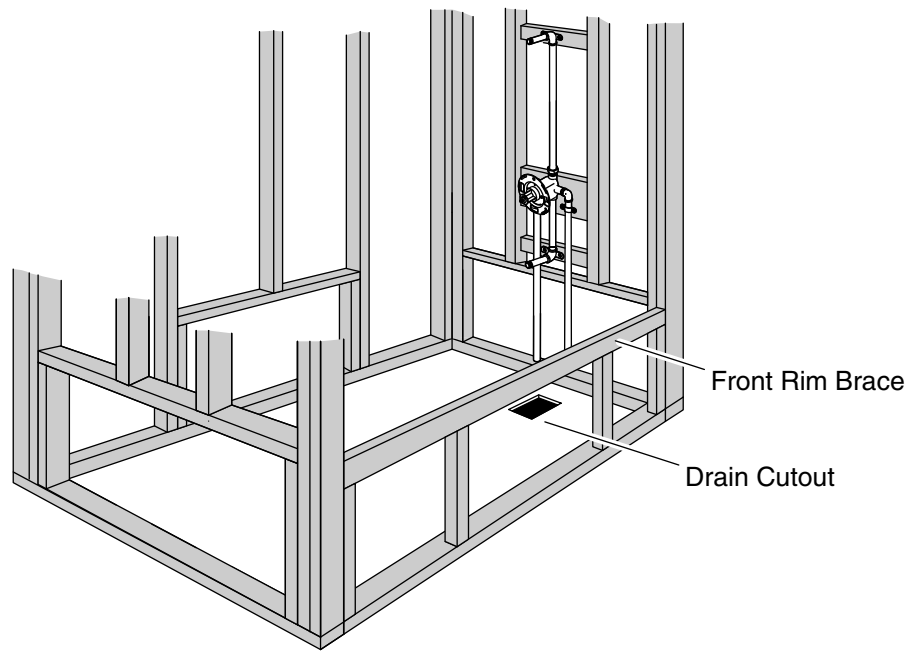


## 1. Plan the Installation

For best results, follow the installation sequence below. Detailed instructions are found on the following pages of this guide.

### Recommended Installation Sequence

- Determine the locations for the bath components. Refer to the illustration for preferred locations.
- Plan the required access panel locations for servicing the control amplifier and the control board. Side or front access to the control board is acceptable.
- Construct the alcove framing for the bath.
- Route plumbing supply lines.
- Install the bath and drain.
- Install an electrical outlet within 24" (610 mm) of the control amplifier location.
- Install an electrical outlet within 24" (610 mm) of the junction box on the control board.
- Route the transducer wires to the control amplifier location.
- If equipped, route the chromatherapy cable to the control amplifier location.
- Route the user interface cable from the control board to the user interface location.
- Install the control amplifier.
- Connect the transducer wires, optional auxiliary cable, and chromatherapy cable (if equipped) to the control amplifier.
- Route the inter-connect cable from the control board to the control amplifier.
- Finish the walls, and install the access panels for the control amplifier and control board.
- Connect the user interface cable to the user interface, and install the interface.
- Connect the control amplifier and junction box cables to the electrical outlets.
- Test the functionality of all bath components. Refer to the "Homeowners Guide" for operation.



## 2. Prepare the Site

**NOTICE:** Measure your product for site preparation. Note the **model number** on the back side of the bath, then visit the product page at [www.kohler.com](http://www.kohler.com) for additional information.

**NOTICE:** Do not support the load weight of the bath by the rim.

### Framing

- Ensure the floor offers adequate support for the bath and verify the subfloor is level. Install additional support and adjust for level as needed.

**NOTE:** This bath is designed for alcove installation.

**NOTE:** Use wood or concrete framing. Wood framing will provide the best vibracoustic quality.

- Construct the framing, taking into account the thickness of the finished materials.

**IMPORTANT!** Several of the included bath components will be powered by the control amplifier via 25' (7.6 m) cables. Plan the location of the control amplifier so the cables will reach without tension.

**NOTE:** If installing the control amplifier between studs, stud spacing should be 16" (406 mm).

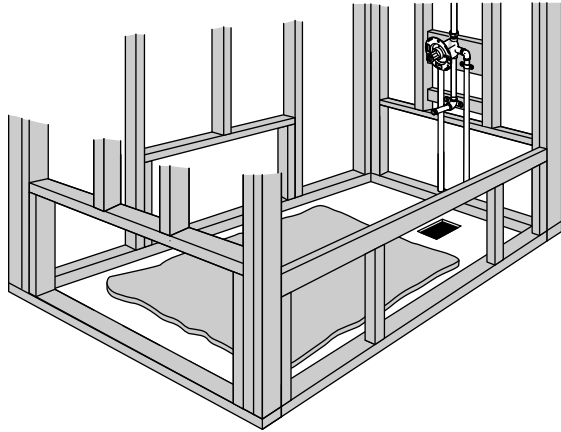
- Construct stud framing or a pocket for the control amplifier.
- Provide a means to route the user interface cable through the wall to the control amplifier.

### Plumbing

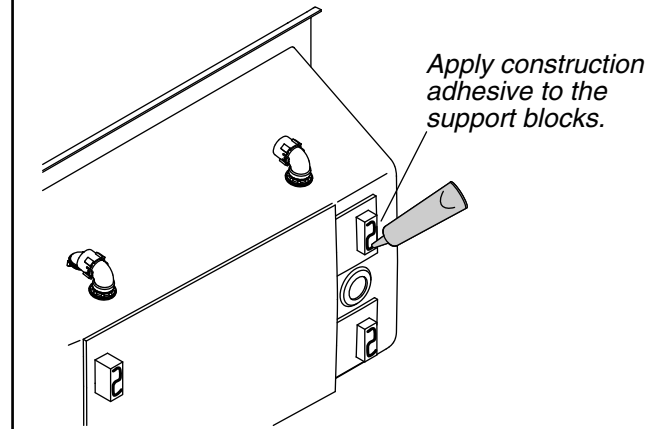
**NOTE: For through-the-floor drain installation:** cut a hole in the subfloor to accommodate the drain connections.

- Install the rough plumbing. Cap the supplies and check for leaks.
- Attach the drain to the bath according to the instructions packed with the drain. **Do not connect the trap at this time.**

### Mortar Cement



### Construction Adhesive



## 3. Install the Bath

**NOTICE:** Ensure the subfloor is level before proceeding. Use shims as needed.

- Secure the bath using one of the following two methods.

### Cement or Mortar Bed Method

**NOTICE:** Do not use gypsum cement or drywall compound, as these materials will not provide a durable bond.

- Spread a 2" (51 mm) layer of cement or mortar bed on the subfloor.
- With help, carefully lower the bath into place. Take precaution to avoid damaging the components mounted to the bath.
- Verify the bath is level. Reposition or shim as needed.

### Construction Adhesive Method

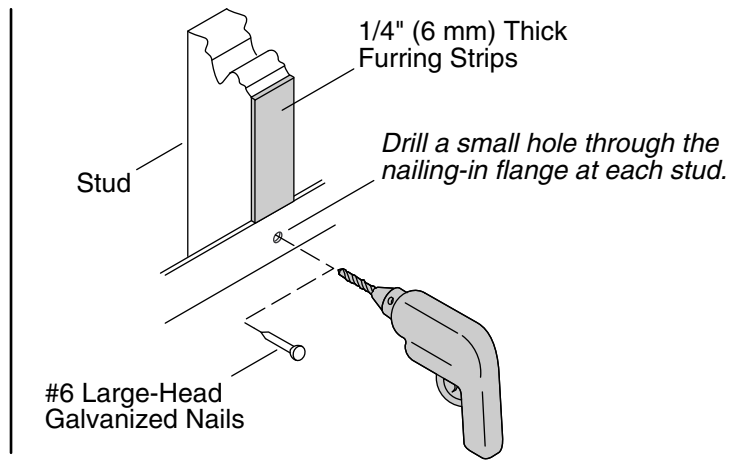
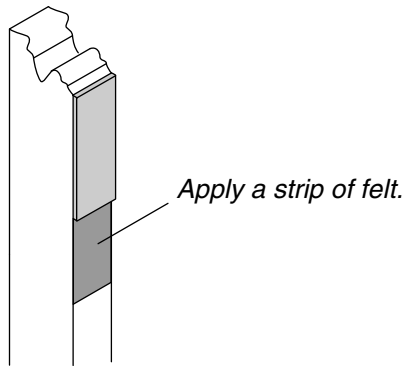
- Apply a generous amount of high-quality construction adhesive to the bottom of the support blocks.
- With help, carefully lower the bath into place. Take precaution to avoid damaging the components mounted to the bath.
- Verify the bath is level and resting on all support blocks. Reposition or shim as needed.

## 4. Install the Plumbing



**CAUTION: Risk of property damage.** Ensure a watertight seal on all bath drain connections to prevent water leakage.

- Connect the drain to the trap.
- Install the faucet valve according to the faucet manufacturer's instructions. **Do not install the faucet trim at this time.**
- Open the hot and cold water supplies. Check all connections for leaks.
- Fill the bath to the overflow and check the drain connections for leaks.



## 5. Secure the Flange

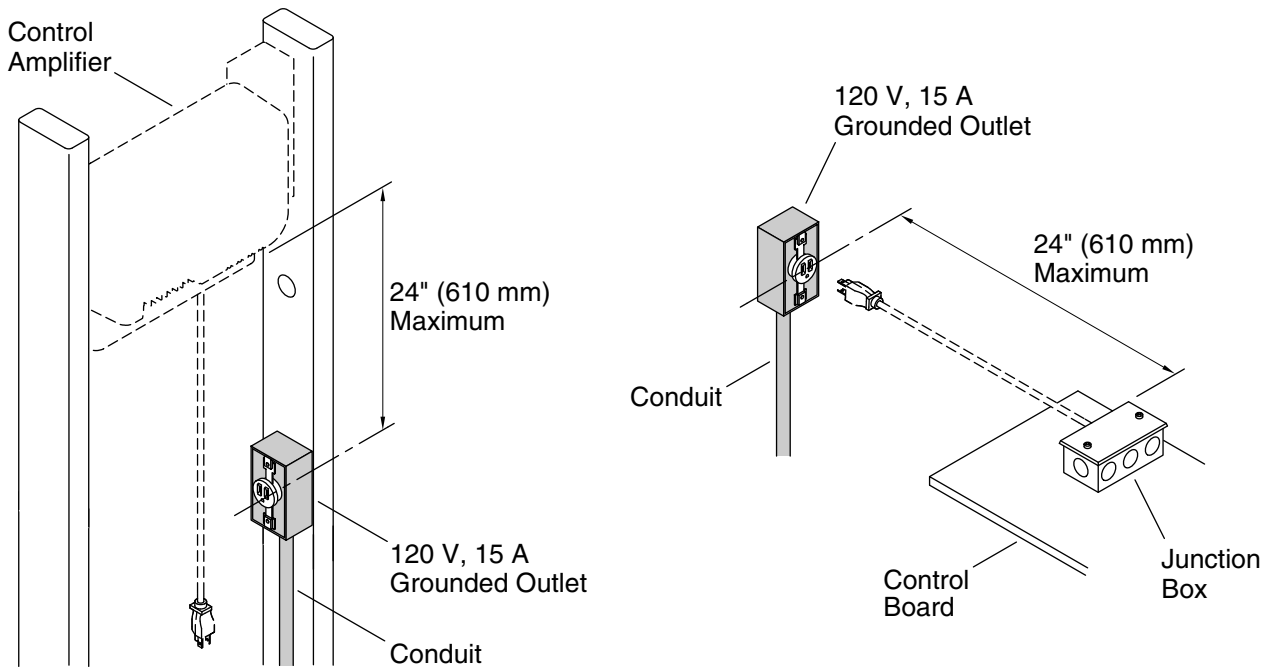
**NOTE:** For ease of installation, provide a means to feed the interface wires through the wall to the control amplifier at this time.

- Place a clean drop cloth in the bottom of the bath to protect the surface.
- Drill a small pilot hole through the nailing-in flange at each stud location. Add shims between the nailing-in flange and the studs to eliminate any gaps.
- Nail 1/4" (6 mm) thick furring strips to the studs to shim out to the edge of the nailing-in flange.
- Attach felt at each of the nailing-in flange-to-stud contact points. The felt will help minimize vibration transmission to the studs.
- Use #6 large-head galvanized nails or screws to secure the nailing-in flange to the studs.

### Concrete Construction

**NOTE:** We recommend that the flange be secured to the wall for support.

- Drill pilot holes through the nailing-in flange so they are about 16" (406 mm) apart.
- Install concrete wall anchors to the wall at the pilot hole locations.
- Confirm there is felt at each of the nailing-in flange-to-stud contact points.
- Secure the nailing-in flange to the wall anchors with screws.



## 6. Install Electrical Outlets – United States and Canada



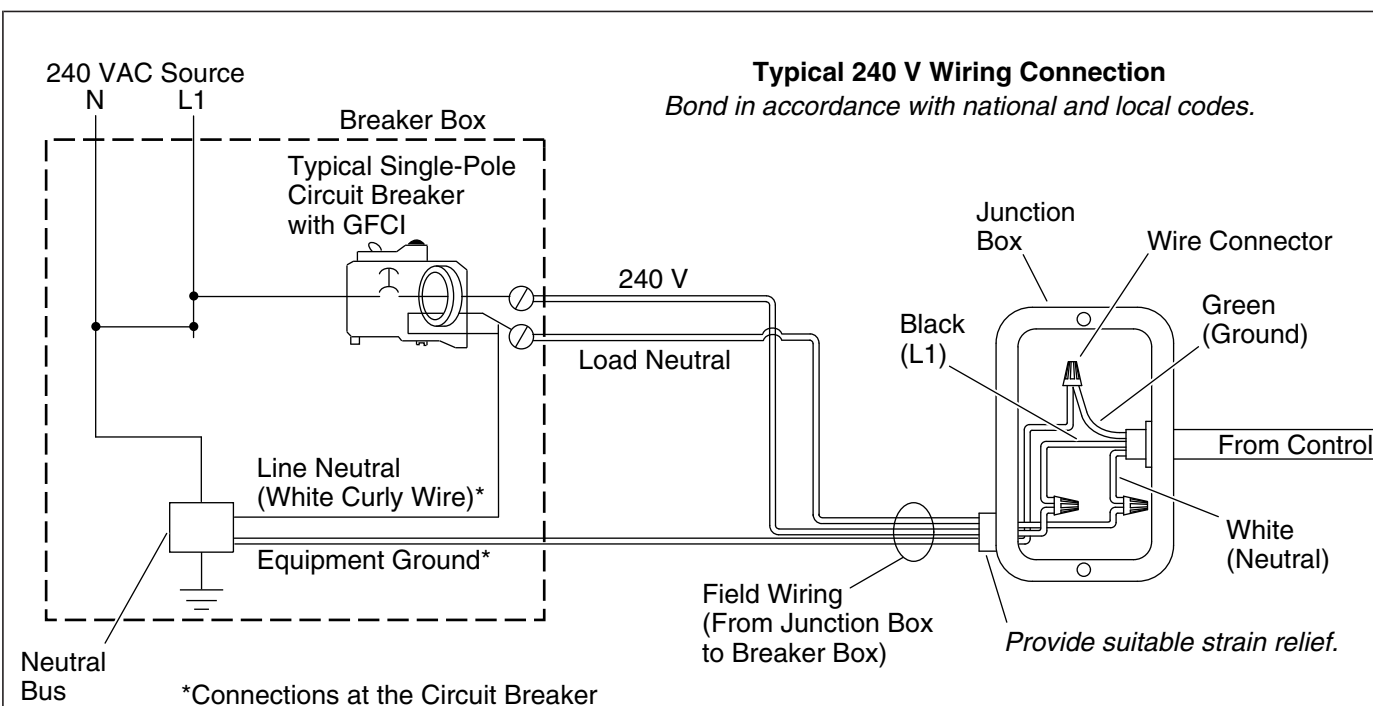
**WARNING: Risk of electric shock.** Disconnect the power before performing the following procedures.

**NOTE:** For installations in Latin America, go to the “Make Electrical Connections – Latin America” section.

**NOTICE:** The control amplifier and junction box are each equipped with a cord and plug. A qualified electrician must install two GFCI- or RCD-protected, 120 V, 15 A grounded outlets. Both outlets may share the same electrical service, but no other load should be on this circuit.

- Install a 120 V, 15 A grounded outlet within the wall framing and within 24” (610 mm) of the planned control amplifier location. Route the wires through conduit for this outlet installation.
- Install a 120 V, 15 A grounded outlet near the control board end of the bath and within 24” (610 mm) of the junction box.





## 7. Make Electrical Connections – Latin America

**NOTE:** The electrical rating of the product is printed on a label on the lumbar end of the bath. **All vibracoustic baths are designed to operate between 110 V and 240 V at either 50 Hz or 60 Hz.**



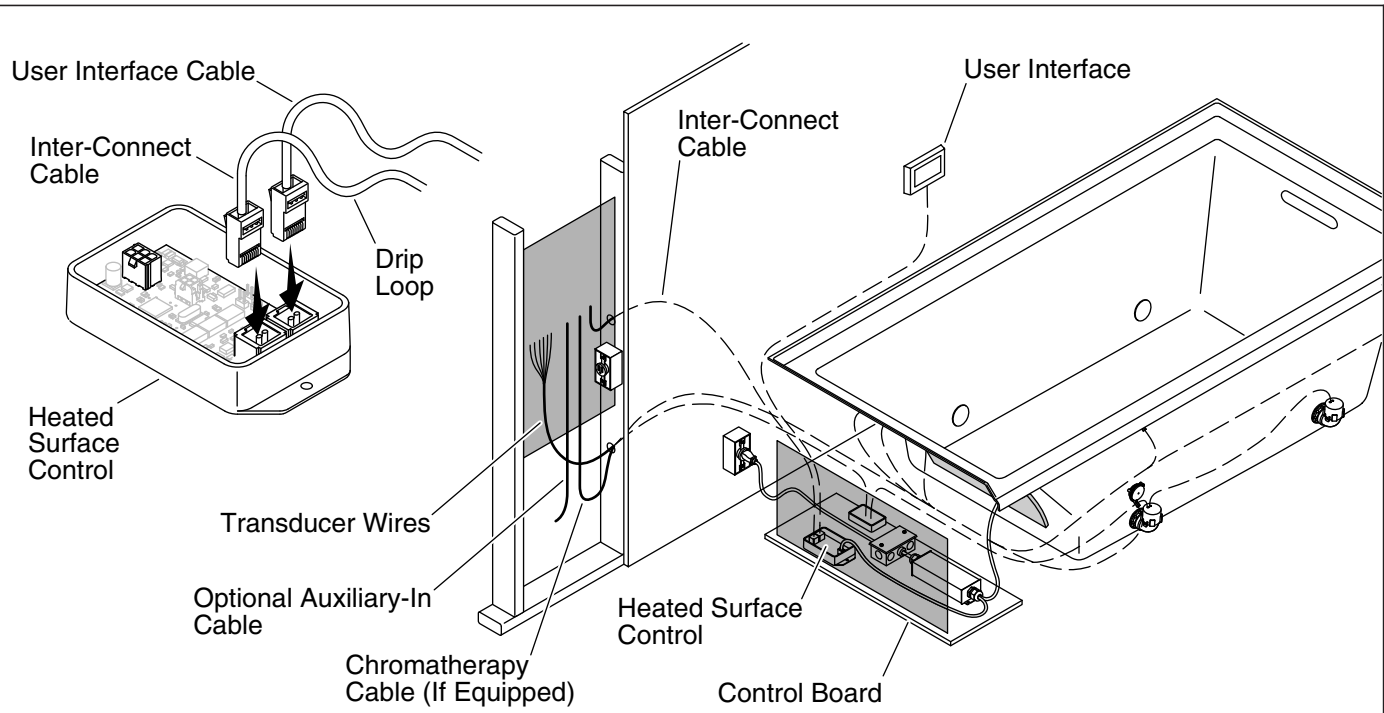
**WARNING: Risk of electric shock.** Disconnect the power before performing the following procedures.



**WARNING: Risk of electric shock.** Connect the bath to a properly grounded Ground-Fault Circuit-Interrupter (GFCI) or Residual Current Device (RCD) for protection against line-to-ground shock hazard.

**IMPORTANT!** The white wire should be connected to the load neutral terminal on the GFCI or RCD breaker. The green wire is the **equipment ground** and must be connected to the neutral bus in the main circuit breaker box.

- Follow local electrical codes. Bond in accordance with national and local codes.
- Remove the 120 V plug from the end of the electrical cord on the amplifier.
- Remove the 120 V plug from the electrical cord on the junction box mounted to the control board.
- Connect service to the amplifier with a 240 V plug (not included) or hardwire connection.
- Connect service to the junction box with a 240 V plug (not included) or hardwire connection.



## 8. Route the Cables

**IMPORTANT!** Several of the included bath components will be powered by the control amplifier via 25' (7.6 m) cables. Plan the location of the control amplifier so the cables will reach without tension.

### Connect the Cables at the Heated Surface Control

**NOTE:** The heated surface control is mounted to the board at the end of the bath.

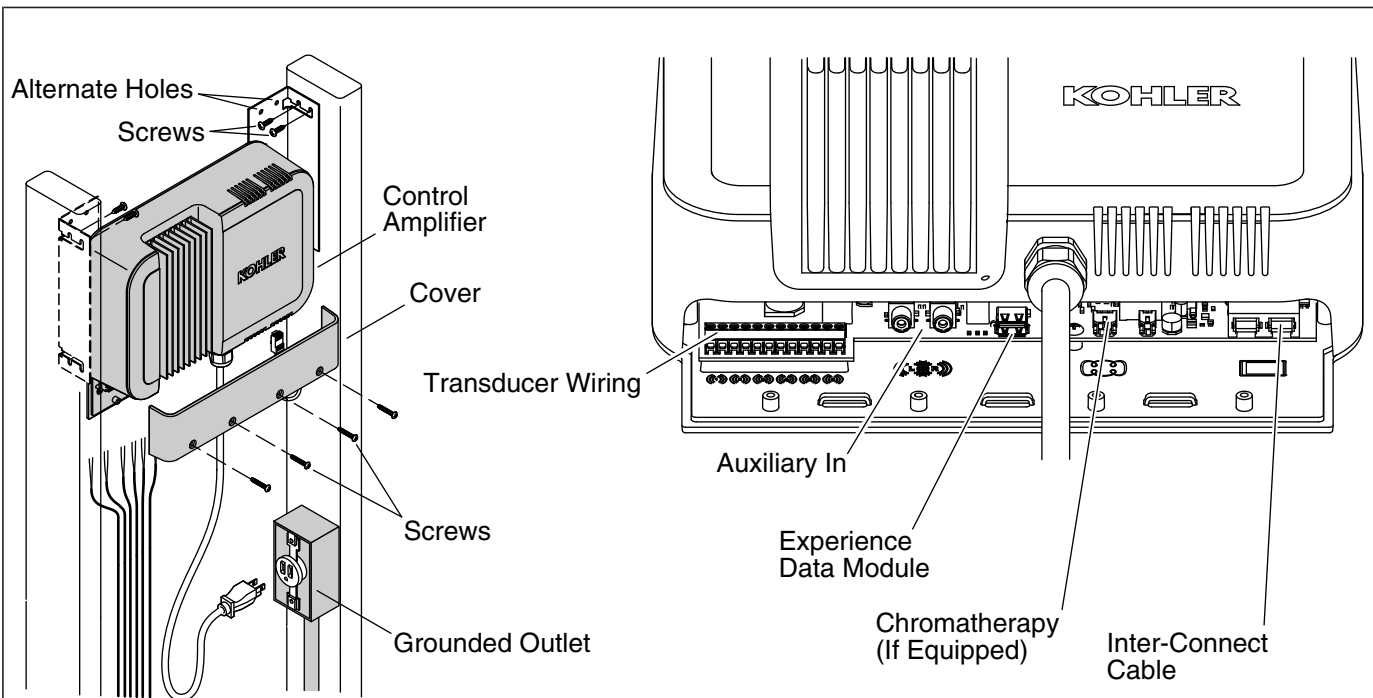
- Connect the larger Ethernet end of the user interface cable to one of the two ports on the heated surface control.
- Connect the inter-connect cable (both ends are Ethernet) for the amplifier to the open port on the heated surface control.

### Route the Cables Through the Framing

- Carefully cut the cable tie securing the coiled transducer wires to the back of the bath.
- Route the transducer wires through the framing to the control amplifier location, drilling 1" (52 mm) holes where needed.
- If equipped, route the chromatherapy cable from the bath to the planned amplifier location. Follow the same route as the transducer cables.
- Route the inter-connect cable from the heated surface control to the control amplifier location. Include a drip loop.
- Route the user interface cable through the framing from the heated surface control to the planned user interface location. Include a drip loop.

**NOTE:** An auxiliary cable connection can be used to pair a BLUETOOTH® device or other battery-operated audio device so users can play their own music with the vibracoustic bath.

- If used, route an auxiliary-in cable (not included) to the control amplifier location.



## 9. Install the Control Amplifier



**WARNING: Risk of electric shock.** Connect the control amplifier to a properly grounded, grounding-type receptacle protected by a Ground-Fault Circuit-Interrupter (GFCI) or Residual Current Device (RCD). Do not remove the grounding pin from the plug or use a grounding adapter.

**IMPORTANT!** Keep insulating materials away from the control amplifier. Provide an unobstructed air space around the control amplifier to permit cooling.

**NOTE:** Do not remove the mounting brackets from the control amplifier.

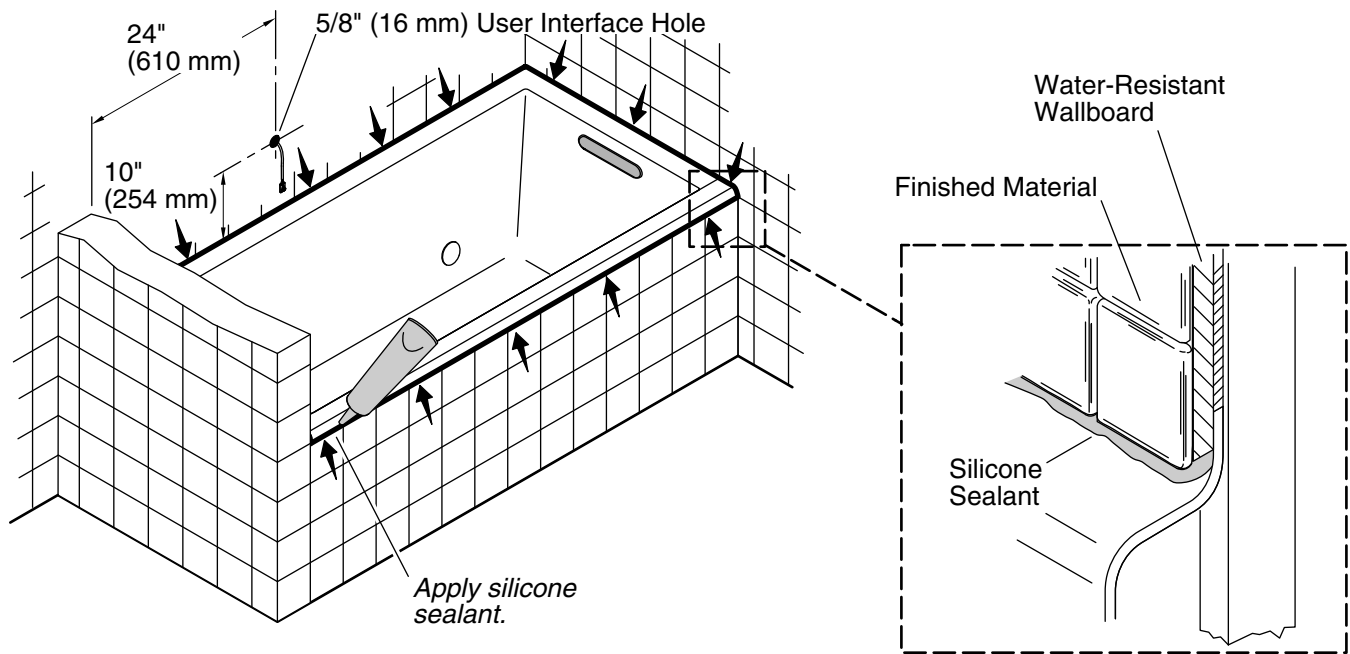
- Position the amplifier flush or recessed from the front of the studs.
- Using the wood screws provided, secure the control amplifier to the framing. Use the anchors provided if securing to a wall material other than wood.

**NOTE:** To make wiring connections more accessible, temporarily secure the control amplifier with one screw on each side to allow the amplifier to tilt forward. Once wiring connections are made, secure the control amplifier with the remaining screws.

- Remove the cover from the control amplifier by removing the four screws. Retain for reinstallation.

**NOTE:** The transducer terminals and wires are numbered to identify the correct connections. When required, the control amplifier can be removed to aid in the wire connection process.

- **Securely** attach the transducer wires to the transducer terminals. The white with black wires are the positive (+) leads.
- If equipped, connect the chromatherapy connector to the chromatherapy terminal.
- Connect the inter-connect cable from the control box to the amplifier.
- If used, connect the optional auxiliary-in RCA connectors to the auxiliary-in terminals.
- Reinstall the cover to the control amplifier with the four screws.
- Plug the control amplifier into the electrical outlet.
- Plug the junction box cord into the electrical outlet.



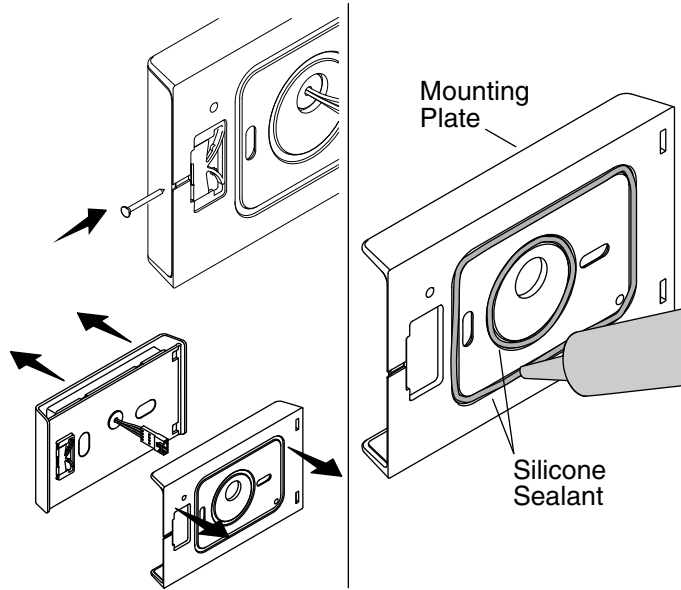
## 10. Complete the Finished Walls

- Cover the framing with water-resistant material.
- **Provide suitable access** to the control amplifier.
- Install the finished wall material.
- Drill a 5/8" (16 mm) hole through the wall material where the user interface will be installed. Refer to the "Plan the Installation" section for the recommended location.
- Route the user interface cable through the hole in the wall material, and tape or otherwise secure the cable so it will not fall between the walls.
- Seal the joints between the bath rim and the finished wall with silicone sealant.
- Install the faucet trim.

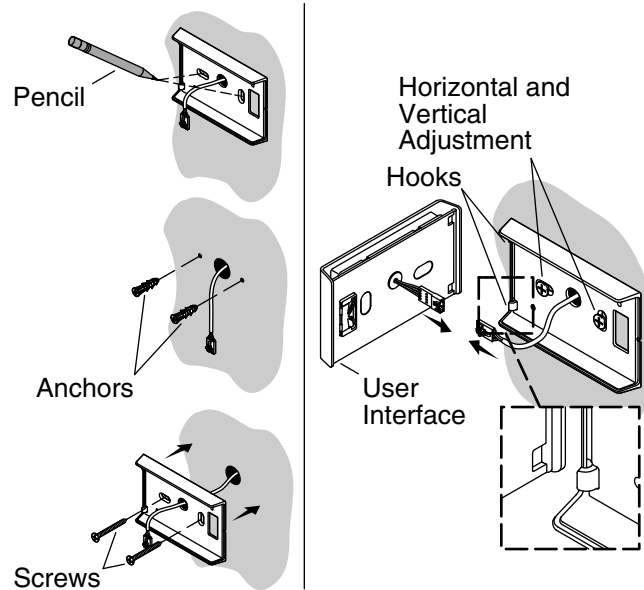
### Concrete Construction

- Apply mortar and tile to the wall and surround material as needed. Install tile to within 1/4" (6 mm) of the bath deck, making sure the tile covers the screw heads in the flange.
- Apply a bead of silicone sealant where the tile meets the bath surface.
- Install the faucet trim.

## Back View



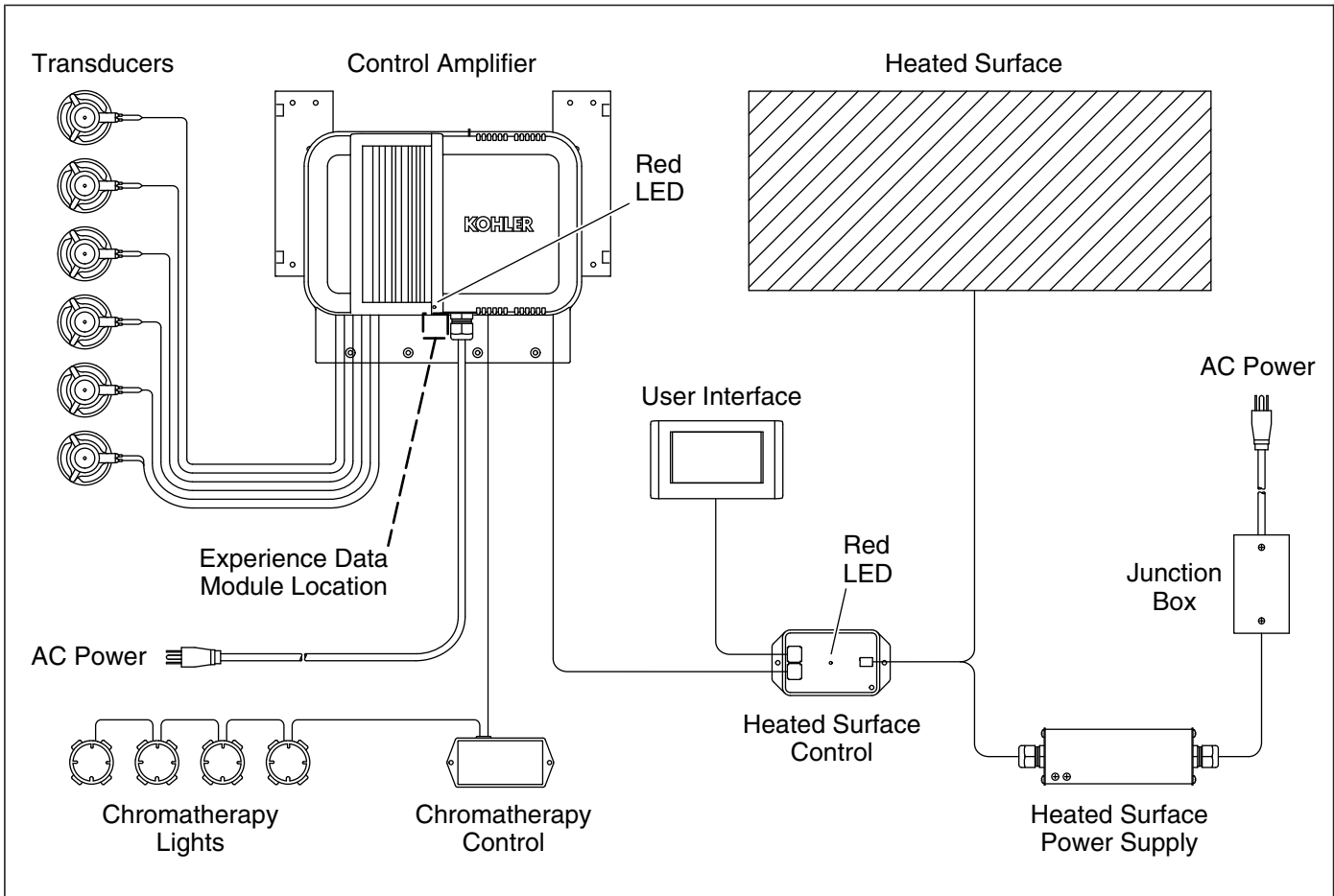
## Front View



## 11. Install the User Interface

**IMPORTANT!** Do not allow the cable routed through the wall hole to fall into the wall.

- Push a thin nail into the groove in the back side of the user interface to separate the interface from the mounting plate.
- Position the mounting plate over the cable and against the finished wall so the hooks are to the left.
- Level the mounting plate and mark the screw hole locations on the wall.
- Remove the mounting plate and drill 1/4" holes at the marked locations.
- Insert the provided wall anchors into the holes.
- Apply a bead of silicone sealant to the two grooves on the back of the mounting plate.
- Position the mounting plate over the cable with the hooks to the left, and secure to the wall using the two screws provided.
- Check for level. If needed, loosen the screws and adjust the mounting plate.
- Connect the cable to the user interface.
- Engage the edge of the user interface with the two mounting plate hooks, then firmly swing the user interface against the mounting plate until they snap together.
- Refer to the User Guide included with the interface to set up, program, and verify proper function of the product.



## Components

## Troubleshooting

**NOTE:** For service parts information, visit your product page at [www.kohler.com/serviceparts](http://www.kohler.com/serviceparts).

This troubleshooting guide is for general aid only. For service and installation issues or concerns, call 1-800-4KOHLER.

### Troubleshooting Table

Symptom	Probable Cause	Recommended Action
1. No sound; no experiences are functioning.	<p>A. Power to the control amplifier is off.</p> <p>B. Control amplifier must be reset.</p> <p>C. Experiences data module connection is loose or damaged.</p> <p>D. An experience has not been selected on the user interface.</p> <p>E. Vibracoustic intensity is muted on the user interface.</p>	<p>A. Reset the circuit breaker to the control amplifier, then check the electrical power supply and connections.</p> <p>B. If the red LED on the control amplifier is not blinking, unplug the control amplifier for 30 seconds, then plug in and restart.</p> <p>C. Inspect the data module for loose connection or damage. Secure the connection or replace the module as needed.</p> <p>D. Select an experience.</p> <p>E. Touch the [Mute] icon on the user interface to turn off the mute setting.</p>

## Troubleshooting (cont.)

### Troubleshooting Table

Symptom	Probable Cause	Recommended Action
	<p>F. User interface cable connections are loose or damaged.</p> <p>G. Control amplifier or heated surface control does not work.</p> <p>H. User interface does not work.</p>	<p>F. Inspect the cables between the user interface, heated surface control, and control amplifier. Secure connections or replace cables as needed.</p> <p>G. If the red LED on the control amplifier does not blink following restart, check the control amplifier and/or heated surface control and replace as needed.</p> <p>H. Check the user interface. Replace as needed.</p>
2. Music is distorted (undesirable resonance) when vibracoustic functions are on.	<p>A. Intensity setting is too high on the user interface.</p> <p>B. Transducers on the back surface of the bath are in direct contact with framing, joists, or other materials.</p> <p>C. One or more transducers on the back surface of the bath are loose.</p> <p>D. The bath is making direct contact with framing, joists, or other materials.</p>	<p>A. Turn down the intensity setting on the user interface.</p> <p>B. Remove or reposition any materials that are making direct contact with the transducers.</p> <p>C. Rotate the loose transducer(s) clockwise with your fingers until tight. <b>Do not overtighten.</b></p> <p>D. Identify the point of contact and correct it. The bath must not make contact with any framing or support materials.</p>
3. User interface does not light up.	<p>A. Power to the control amplifier is not on.</p> <p>B. Control amplifier must be reset.</p> <p>C. User interface cable connections are loose or damaged.</p> <p>D. Control amplifier or heated surface control does not work.</p> <p>E. User interface does not work.</p>	<p>A. Reset the circuit breaker to the control amplifier, then check the electrical power supply and connections.</p> <p>B. If the red LED on the control amplifier is not blinking, unplug the control amplifier for 30 seconds, then plug in and restart.</p> <p>C. Inspect the cables between the user interface, heated surface control, and control amplifier. Secure connections or replace cables as needed.</p> <p>D. If the red LED on the control amplifier does not blink following restart, check the control amplifier and/or heated surface control and replace as needed.</p> <p>E. Check the user interface. Replace as needed.</p>
4. User interface lights up but does not work.	<p>A. Control amplifier must be reset.</p> <p>B. User interface cable connections are loose or damaged.</p>	<p>A. If the red LED on the control amplifier is not blinking, unplug the control amplifier for 30 seconds, then plug in and restart.</p> <p>B. Inspect the cables between the user interface, heated surface control, and control amplifier. Secure connections or replace cables as needed.</p>

## Troubleshooting (cont.)

### Troubleshooting Table

Symptom	Probable Cause	Recommended Action
	<p>C. Control amplifier or heated surface control does not work.</p> <p>D. User interface does not work.</p>	<p>C. If the red LED on the control amplifier does not blink following restart, check the control amplifier and/or heated surface control and replace as needed.</p> <p>D. Check the user interface. Replace as needed.</p>
5. Auxiliary music does not work.	<p>A. Power to the control amplifier is not on.</p> <p>B. Control amplifier must be reset.</p> <p>C. Auxiliary-in or user interface cable connections are loose or damaged.</p> <p>D. Auxiliary music source option is not selected on the user interface.</p> <p>E. Vibracoustic sound is muted on the user interface.</p> <p>F. Vibracoustic intensity is turned down on the user interface.</p> <p>G. Control amplifier or heated surface control does not work.</p> <p>H. User interface does not work.</p>	<p>A. Reset the circuit breaker to the control amplifier, then check the electrical power supply and connections.</p> <p>B. If the red LED on the control amplifier is not blinking, unplug the control amplifier for 30 seconds, then plug in and restart.</p> <p>C. Inspect the cables between the user interface, heated surface control, and control amplifier. Secure connections or replace cables as needed.</p> <p>D. Select the auxiliary music option on the user interface.</p> <p>E. Touch the [Mute] icon on the user interface to turn off the mute setting.</p> <p>F. Turn up the vibracoustic intensity on the user interface.</p> <p>G. If the red LED on the control amplifier does not blink following restart, check the control amplifier and/or heated surface control and replace as needed.</p> <p>H. Check the user interface. Replace as needed.</p>

### (Optional) Chromotherapy Troubleshooting Table

Symptom	Probable Cause	Recommended Action
1. Chromotherapy lights do not work.	<p>A. Power to the control amplifier is off.</p> <p>B. Control amplifier must be reset.</p> <p>C. Chromotherapy feature has not been selected on the user interface.</p> <p>D. Chromotherapy or user interface cable connections are loose or damaged.</p> <p>E. Control amplifier does not work.</p>	<p>A. Reset the circuit breaker to the control amplifier, then check the electrical power supply and connections.</p> <p>B. If the red LED on the control amplifier is not blinking, unplug the control amplifier for 30 seconds, then plug in and restart.</p> <p>C. Select the Chromotherapy feature on the user interface.</p> <p>D. Inspect the cables for loose connections or damage. Secure or replace cables as needed.</p> <p>E. If the red LED on the control amplifier does not blink following restart, check the control amplifier and replace as needed.</p>



## Troubleshooting (cont.)

### (Optional) Chromatherapy Troubleshooting Table

Symptom	Probable Cause	Recommended Action
	<p>F. User interface does not work.</p> <p>G. Chromatherapy control does not work.</p>	<p>F. Verify that the user interface cable is securely connected to the user interface and the control amplifier terminal. If the connections are good, replace the user interface.</p> <p>G. Replace the Chromatherapy control.</p>
2. Chromatherapy lights do not cycle through all colors.	<p>A. Control amplifier must be reset.</p> <p>B. Chromatherapy or user interface cable connections are loose or damaged.</p> <p>C. Control amplifier does not work.</p> <p>D. User interface does not work.</p> <p>E. If none of the recommended actions correct the problem, contact Kohler Co.</p>	<p>A. If the red LED on the control amplifier is not blinking, unplug the control amplifier for 30 seconds, then plug in and restart.</p> <p>B. Inspect the cables for loose connections or damage. Secure or replace cables as needed.</p> <p>C. If the red LED on the control amplifier does not blink following restart, check the control amplifier and replace as needed.</p> <p>D. Cycle through the Chromatherapy light functions. If the lights do not cycle through all colors and the blue icon on the user interface is not lit, replace the user interface.</p> <p>E. Contact the Customer Care Center using the contact information on the back cover.</p>

### Heated Surface Troubleshooting Table

Symptoms	Probable Cause	Recommended Action
1. Heated surface does not turn on.	<p>A. No power to the power supply.</p> <p>B. Heated surface control must be reset.</p> <p>C. User interface cable connections are loose or damaged.</p> <p>D. Heated surface control does not work.</p> <p>E. Power supply does not work.</p> <p>F. User interface does not work.</p>	<p>A. Set/reset GFCI or RCD breaker; check wiring and power supply connections.</p> <p>B. If the red LED on the heated surface control is not blinking, unplug the control for 30 seconds, then plug in and restart.</p> <p>C. Inspect the cables between the user interface, heated surface control, and control amplifier. Secure connections or replace cables as needed.</p> <p>D. Check the heated surface control. Replace as needed.</p> <p>E. Check the power supply. Replace as needed.</p> <p>F. Check the user interface. Replace as needed.</p>
2. Bath is on, but there is little or no heat.	<p>A. Heater cable loose or damaged.</p> <p>B. Heater/insulation loose on the bath.</p> <p>C. Heat indicator is set to low heat.</p>	<p>A. Inspect the cables between the user interface, heated surface control, and control amplifier. Secure connections or replace cables as needed.</p> <p>B. Secure the heater/insulation to the bath.</p> <p>C. Press the plus [+] icon to increase temperature.</p>

**Troubleshooting (cont.)**

**Heated Surface Troubleshooting Table**

<b>Symptoms</b>	<b>Probable Cause</b>	<b>Recommended Action</b>
	D. Heater does not work. E. Temperature sensor does not work.	D. Replace the heater. E. Replace the heater.

# Guide d'installation

## Baignoire vibracoustique à bride avec surface chauffée

### INSTRUCTIONS IMPORTANTES



**AVERTISSEMENT:** Lors de l'utilisation de produits électriques, toujours observer les précautions de base, notamment:



**AVERTISSEMENT: Risque de choc électrique.** Raccorder uniquement à un circuit protégé par un disjoncteur de fuite de terre (GFCI)\*. **Une mise à la terre est requise.** L'appareil doit être installé et mis à la terre par un représentant technique qualifié.



**AVERTISSEMENT: Risque de choc électrique.** Tout le câblage électrique doit être réalisé par un électricien qualifié.



**AVERTISSEMENT: Risque de choc électrique.** Déconnecter l'alimentation électrique avant d'effectuer un entretien.



**AVERTISSEMENT: Risque de choc électrique.** Ne pas faire fonctionner les appareils auxiliaires sous tension électrique à proximité de l'eau.



**AVERTISSEMENT: Risque de dommages matériels.** Les matériaux de construction et le câblage doivent être acheminés loin des composants qui dégagent de la chaleur et qui font partie de la baignoire.



**AVERTISSEMENT: Risque de blessures ou d'endommagement du matériel.** Lire toutes les instructions avec attention avant de commencer l'installation.

**AVIS:** Respecter tous les codes de plomberie, d'électricité et de construction.

\*Hors de l'Amérique du Nord, ce dispositif peut être connu sous le nom de dispositif à courant résiduel (RCD).

### Information sur le produit

#### Installations électriques requises



**AVERTISSEMENT: Risque de brûlures, d'incendie, d'électrocution ou de blessures.** Ne pas faire fonctionner le chauffage si le cordon d'alimentation est endommagé. Pour obtenir une assistance adéquate pour la réparation de ce produit, appeler: 1-800-4KOHLER à partir des É.-U. ou du Canada, ou le 001-800-456-4537 à partir du Mexique.

Cette installation doit avoir un disjoncteur de fuite de terre (GFCI) de classe A\*. Le disjoncteur GFCI protège contre les risques d'électrocution fil sous tension-terre. **Utiliser une alimentation de 120 V, 15 A, 60 Hz dédiée à la baignoire.**

Deux prises électriques GFCI de 120 V, 15 A (240 V, 15 A en Amérique latine) sont requises. Une prise doit se trouver dans l'ossature et dans un rayon de 24" (610 mm) de l'amplificateur de commande. L'autre prise doit être comprise dans un rayon de 24" (610 mm) de la boîte de jonction montée sur le tableau de commande du côté bois de la baignoire. Les deux prises peuvent partager le même service électrique, mais aucune autre charge ne doit se trouver sur ce circuit.

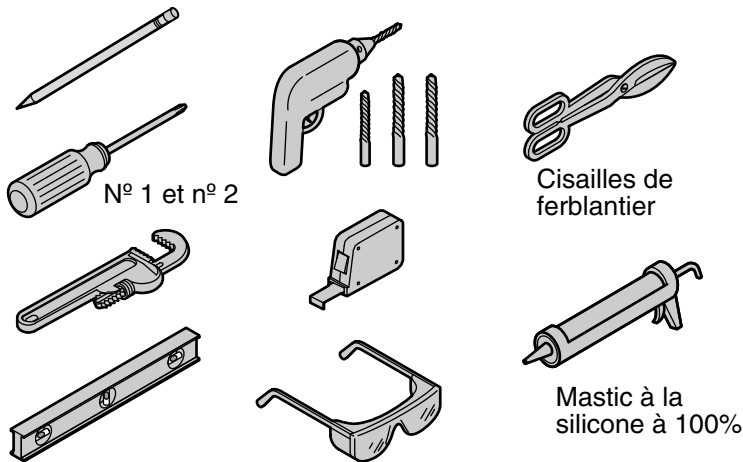
\*Hors de l'Amérique du Nord, ce dispositif peut être connu sous le nom de dispositif à courant résiduel (RCD).

## Information sur le produit (cont.)

### Pièces assemblées en usine

Les composants installés en usine comprennent la surface chauffée avec cordon d'alimentation, les transducteurs et les lampes de chromothérapie (si présentes). Aucun montage n'est nécessaire, sauf le câblage électrique et la plomberie.

### Outils et matériaux



#### Plus:

- Outils conventionnels de menuiserie et matériels
- 2x4
- Conduit
- Bâche de protection
- Mortier de ciment (optionnel)
- Colle mastic (optionnelle)
- Bandes de feutre

### Avant de commencer

**AVIS:** Un support de plancher adéquat doit être fourni. Noter le **numéro de modèle** se trouvant sur l'arrière de la baignoire, puis visiter la page des produits sur le site [www.kohler.com](http://www.kohler.com) pour obtenir de l'information supplémentaire.

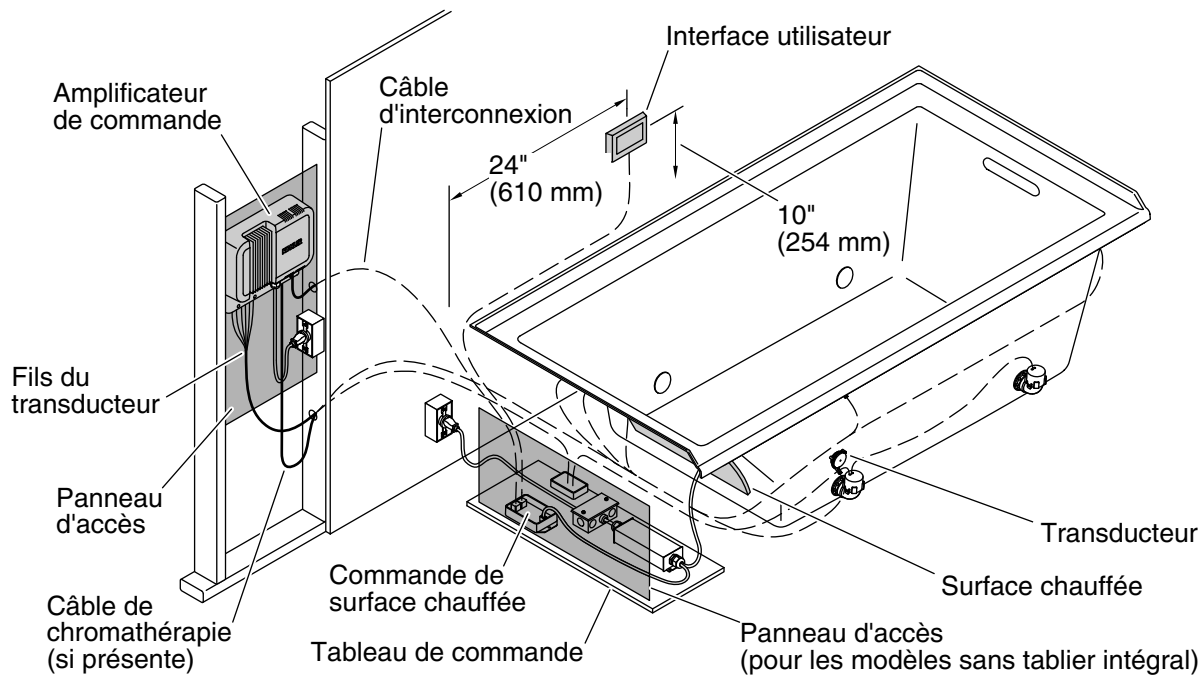
**AVIS:** Ne pas supporter le poids de charge de la baignoire par le rebord.

**AVIS:** Vérifier que le support est adéquat si un robinet est monté sur le rebord ou sur le tablier. Les robinets de grande taille pourraient être utilisés par inadvertance comme moyen de support et ils ne sont pas sécuritaires pour cette installation.

- Lire ces instructions et déterminer les emplacements de tous les composants requis avant de commencer l'installation.
- Fournir un accès aux connexions de l'amplificateur de commande et du tableau de commande pour permettre les entretiens.
- Cette baignoire est conçue pour des installations en alcôve à trois côtés.
- L'amplificateur de commande peut être installé à distance et comprend un câble de 25' (7,6 m).
- Utiliser le conduit pour acheminer les fils électriques en provenance du disjoncteur.
- Choisir l'emplacement d'un appareil audio auxiliaire à piles, le cas échéant. Ne pas placer les appareils alimentés en courant alternatif à portée de main de la baignoire.
- Planifier avec attention le déplacement de la baignoire dans l'emplacement d'installation. Cette baignoire ne passe pas facilement par les entrées de portes.
- Inspecter la baignoire et les composants avant de commencer l'installation. Si des dommages sont notés, ne pas installer la baignoire; contacter le concessionnaire.

**Avant de commencer (cont.)**

- Installer cette baignoire sur un sous-plancher de niveau. Des cales pourraient être nécessaires si le sous-plancher n'est pas nivelé.
- Cette baignoire est conforme à la norme CSA B45.5/IAPMO Z124. Toutes les dimensions sont nominales.



## 1. Planifier l'installation

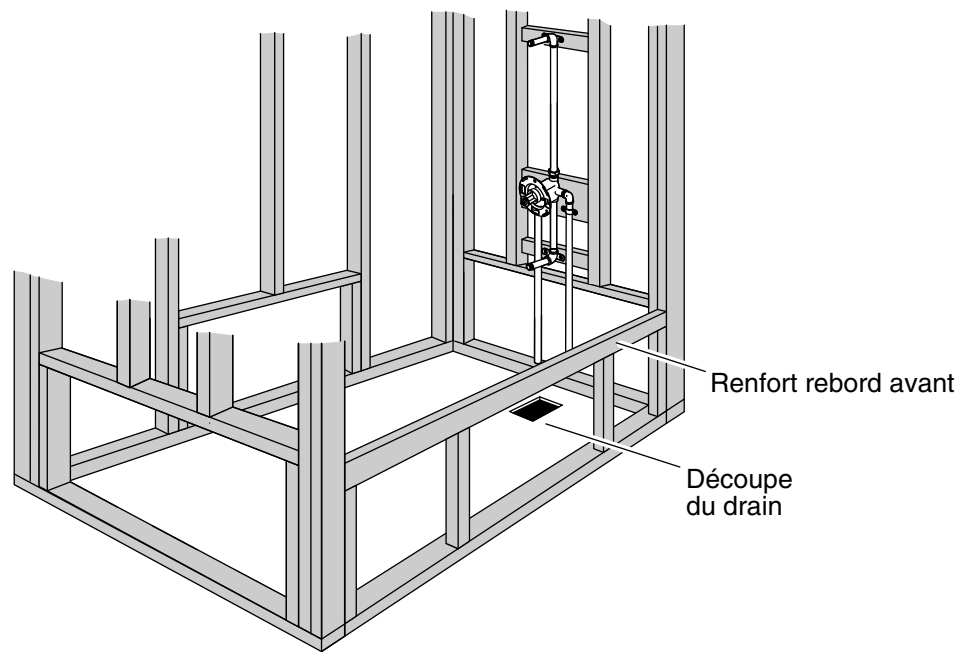
Pour obtenir les meilleurs résultats possibles, suivre la séquence d'installation ci-dessous. Des instructions détaillées sont fournies sur les pages suivantes de ce guide.

### Séquence d'installation recommandée

- Déterminer les emplacements pour les composants de la baignoire. Se référer à l'illustration pour les emplacements préférés.
- Planifier les emplacements requis pour le panneau d'accès, afin de pouvoir procéder à l'entretien de l'amplificateur de commande et du tableau de commande. Un accès au tableau de commande par le côté ou par l'avant est acceptable.
- Construire la charpente de l'alcôve pour la baignoire.
- Acheminer les conduites d'alimentation de plomberie.
- Installer la baignoire et le drain.
- Installer une prise électrique comprise dans un rayon de 24" (610 mm) de l'emplacement de l'amplificateur de commande.
- Installer une prise électrique comprise dans un rayon de 24" (610 mm) de la boîte de jonction sur le tableau de commande.
- Acheminer les fils du transducteur vers l'emplacement de l'amplificateur de commande.
- Si la chromathérapie est présente, acheminer son câble vers l'emplacement de l'amplificateur de commande.
- Acheminer le câble d'interface utilisateur entre le tableau de commande et l'emplacement de l'interface utilisateur.
- Installer l'amplificateur de commande.
- Brancher les fils du transducteur, le câble auxiliaire en option, et le câble de chromathérapie (si présente) sur l'amplificateur de commande.
- Acheminer le câble d'interconnexion entre le tableau de commande et l'amplificateur de commande.

### **Planifier l'installation (cont.)**

- Finir les murs et installer les panneaux d'accès requis pour l'amplificateur de commande et le tableau de commande.
- Brancher le câble d'interface utilisateur sur l'interface utilisateur et installer l'interface.
- Connecter les câbles de l'amplificateur de commande et du boîtier de jonction sur les prises électriques.
- Tester la fonctionnalité des composants de la baignoire. Se référer au "Guide du propriétaire" pour le fonctionnement.



## 2. Préparer le site

**AVIS:** Mesurer le produit pour la préparation du site. Noter le **numéro de modèle** se trouvant sur le côté arrière de la baignoire, puis visiter la page des produits sur le site [www.kohler.com](http://www.kohler.com) pour obtenir de l'information supplémentaire.

**AVIS:** Ne pas supporter le poids de charge de la baignoire par le rebord.

### Charpente

- S'assurer que le plancher offre un support adéquat pour la baignoire et vérifier que le sous-plancher est de niveau. Installer un support supplémentaire et ajuster le niveau selon les besoins.

**REMARQUE:** Cette baignoire est conçue pour une installation en alcôve.

**REMARQUE:** Utiliser un cadre en bois ou en béton. Une charpente en bois fournira la meilleure qualité vibracoustique.

- Construire la charpente, en tenant compte de l'épaisseur des matériaux finis.

**IMPORTANT!** Plusieurs des composants de baignoire inclus sont alimentés par l'amplificateur de commande, par l'intermédiaire de câbles de 25' (7,6 m). Planifier l'emplacement de l'amplificateur de commande de manière à ce que les câbles puissent être branchés sans aucune tension.

**REMARQUE:** Si l'amplificateur de commande est installé entre des montants, l'espacement de ces derniers doit être égal à 16" (406 mm).

- Construire une ossature ou une poche pour l'amplificateur de commande.
- Fournir un moyen d'acheminer le câble d'interface utilisateur à travers le mur jusqu'à l'amplificateur de commande.

### Plomberie

**REMARQUE: Pour des installations de drain dans le plancher:** découper un trou dans le sous-plancher pour les raccordements du drain.

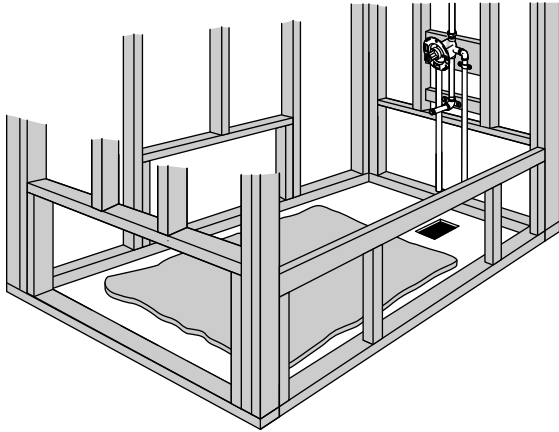
- Poser la plomberie de raccordement. Boucher les alimentations et s'assurer de l'absence de fuites.



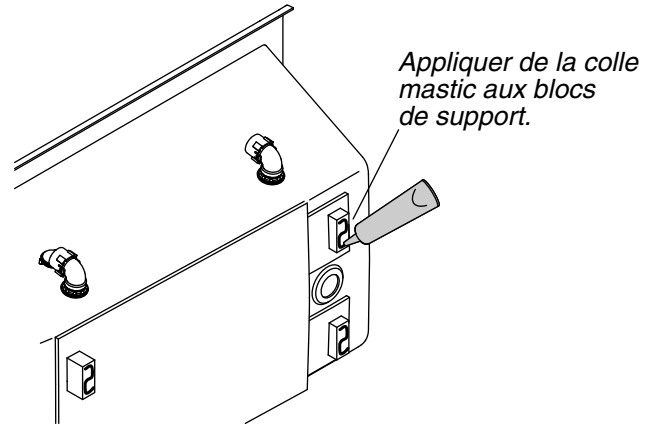
### Préparer le site (cont.)

- Fixer le drain à la baignoire en suivant les instructions incluses avec le drain. **Ne pas connecter le siphon pour l'instant.**

### Mortier de ciment



### Colle mastic



## 3. Installer la baignoire

**AVIS:** S'assurer que le sous-plancher est à niveau avant de procéder. Utiliser des cales selon les besoins.

- Sécuriser la baignoire en utilisant l'une des deux méthodes suivantes.

### Méthode avec lit de ciment ou de mortier

**AVIS:** Ne pas utiliser de plâtre dur ou de mélange pour cloison sèche, car ces matériaux ne fournissent pas une adhésion durable.

- Étaler une couche de ciment ou de mortier de 2" (51 mm) sur le sous-plancher
- Avec de l'aide, abaisser la baignoire avec précaution pour la mettre en place. Veiller à éviter tout endommagement des composants montés sur la baignoire.
- Vérifier que la baignoire est de niveau. Repositionner ou caler selon les besoins.

### Méthode avec de colle mastic

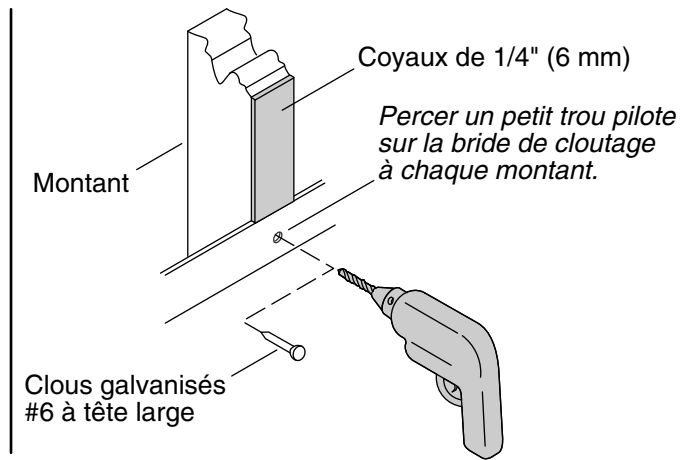
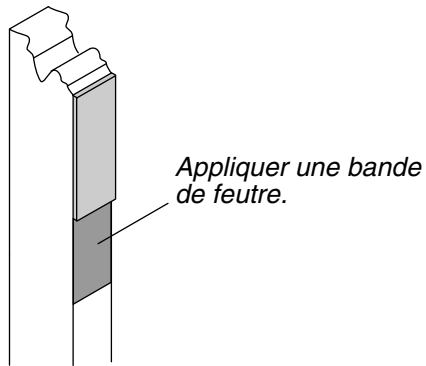
- Appliquer une quantité suffisante de colle mastic de bonne qualité sur la base des blocs de support.
- Avec de l'aide, abaisser la baignoire avec précaution pour la mettre en place. Veiller à éviter tout endommagement des composants montés sur la baignoire.
- S'assurer que la baignoire est de niveau et qu'elle repose sur tous les blocs de support. Repositionner ou caler selon les besoins.

## 4. Installer la plomberie



**ATTENTION: Risque de dommages matériels.** Pour éviter les fuites d'eau, poser un joint d'étanchéité sur tous les raccords de drain de la baignoire.

- Connecter le drain au siphon.
- Installer la vanne du robinet selon les instructions du fabricant du robinet. **Ne pas installer la garniture du robinet pour l'instant.**
- Ouvrir les alimentations en eau chaude et eau froide. Inspecter toutes les connexions pour y rechercher des fuites.
- Remplir la baignoire jusqu'au trop-plein et inspecter les connexions du drain pour y rechercher des fuites.



## 5. Sécuriser la bride

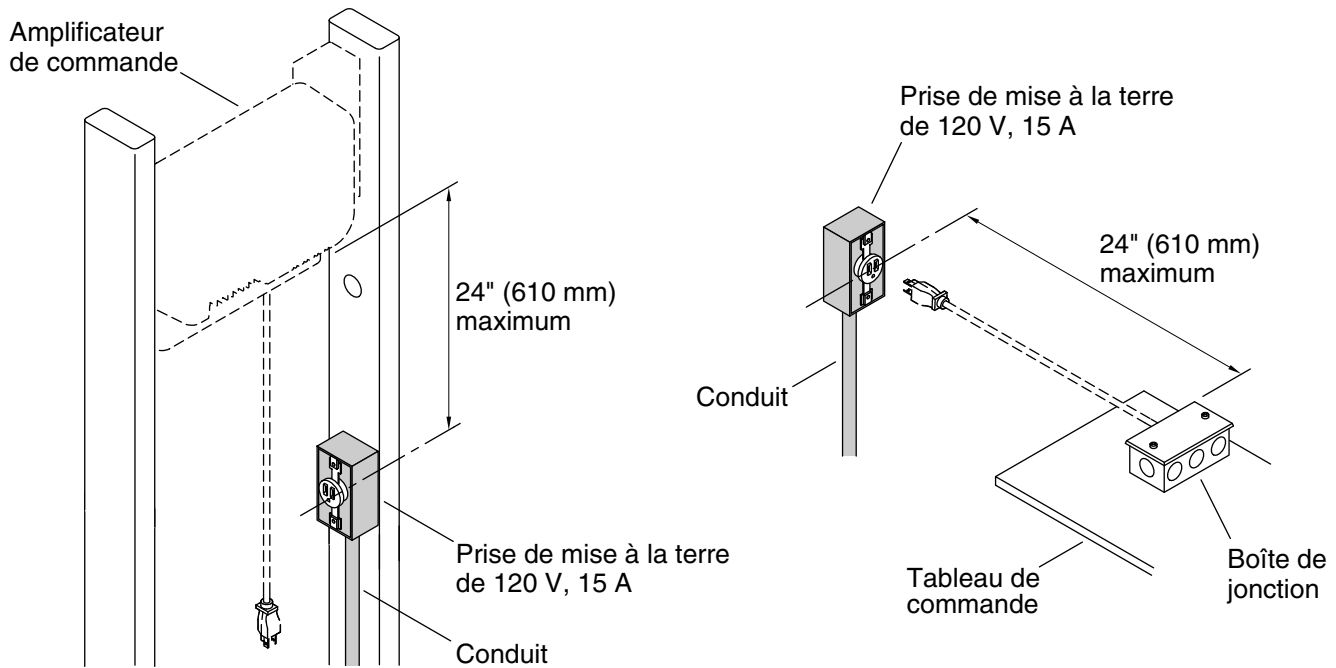
**REMARQUE:** Pour faciliter l'installation, prévoir à ce point un passage qui permettra de faire passer les fils de l'interface dans le mur jusqu'à l'amplificateur de commande.

- Placer une bâche propre dans le fond de la baignoire pour protéger la surface de celle-ci.
- Percer un petit avant-trou à travers la bride de cloutage à chaque emplacement de montant. Ajouter des cales entre la bride de cloutage et les montants pour éliminer tout espace.
- Clouer des fourrures de 1/4" (6 mm) d'épaisseur sur les montants pour caler jusqu'au rebord de la bride de cloutage.
- Fixer le feutre à chaque point de contact entre la bride de cloutage et le montant. Le feutre permettra de minimiser la transmission des vibrations aux montants.
- Utiliser des clous galvanisés à grande tête #6 ou des vis pour fixer la bride de cloutage sur les montants.

### Construction en béton

**REMARQUE:** Il est conseillé de fixer la bride au mur pour le support.

- Percer des avant-trous dans la bride de cloutage à environ 16" (406 mm) de distance entre eux.
- Installer les dispositifs d'ancrage pour béton sur les emplacements des avant-trous.
- Vérifier qu'il y a du feutre à chaque point de contact entre la bride de cloutage et les montants.
- Fixer la bride de cloutage sur les dispositifs d'ancrage muraux avec des vis.



## 6. Installer les prises électriques – États-Unis et Canada



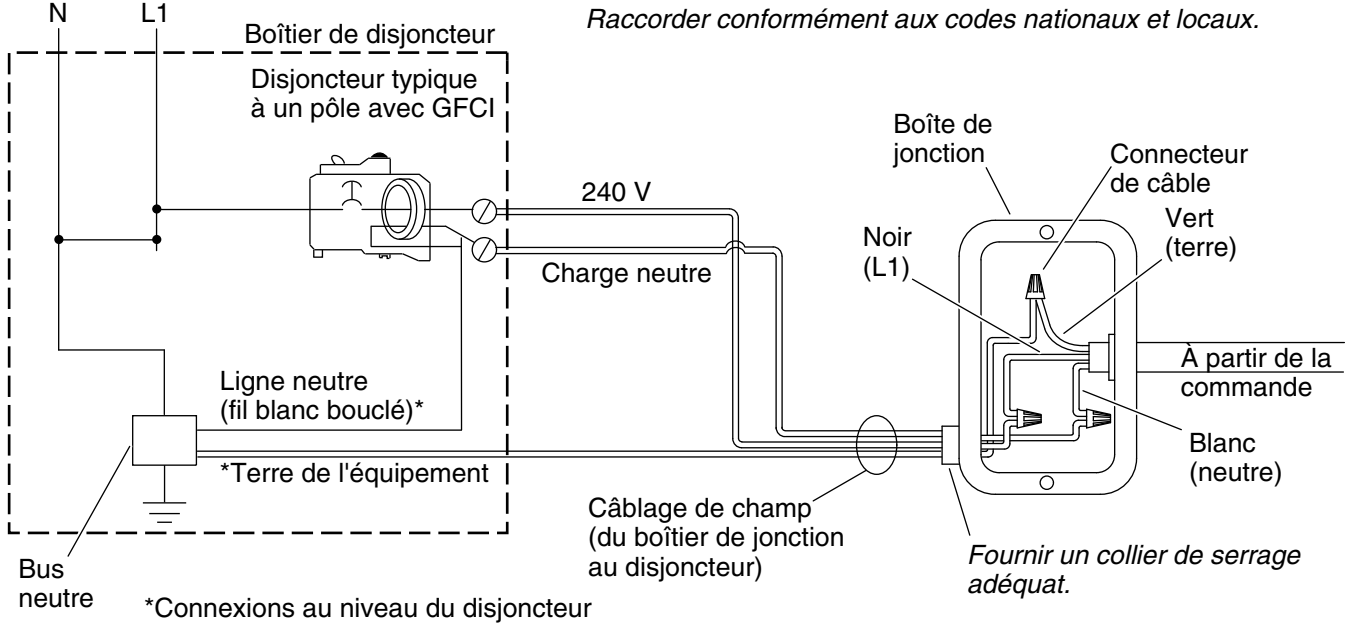
**AVERTISSEMENT: Risque de choc électrique.** Débrancher l'alimentation électrique avant d'effectuer les procédures suivantes.

**REMARQUE:** Pour les installations en Amérique latine, aller à la section "Effectuer des connexions électriques – Amérique latine".

**AVIS:** L'amplificateur de commande et la boîte de jonction sont munis d'un cordon et d'une fiche. Un électricien qualifié doit installer deux prises de 120 V et de 15 A, mises à la terre et protégées par un disjoncteur de fuite de terre (GFCI) ou un dispositif de protection à courant résiduel (RCD). Les deux prises peuvent partager le même service électrique, mais aucune autre charge ne doit se trouver sur ce circuit.

- Installer une prise mise à la terre de 120 V et 15 A dans la charpente des pans et à moins de 24" (610 mm) de l'emplacement prévu pour l'amplificateur de commande. Acheminer les câbles à travers le conduit pour l'installation de cette prise.
- Installer une prise de 120 V et 15 A mise à la terre à proximité de l'extrémité du tableau de commande de la baignoire et dans un rayon de 24" (610 mm) de la boîte de jonction.

Source 240 V c.a.



## 7. Effectuer les connexions électriques – Amérique latine

**REMARQUE:** Le régime électrique nominal du produit est imprimé sur une étiquette placée sur le côté lombaire de la baignoire. **Toutes les baignoires vibracoustiques sont conçues pour fonctionner entre 110 et 240 V à 50 ou 60 Hz.**



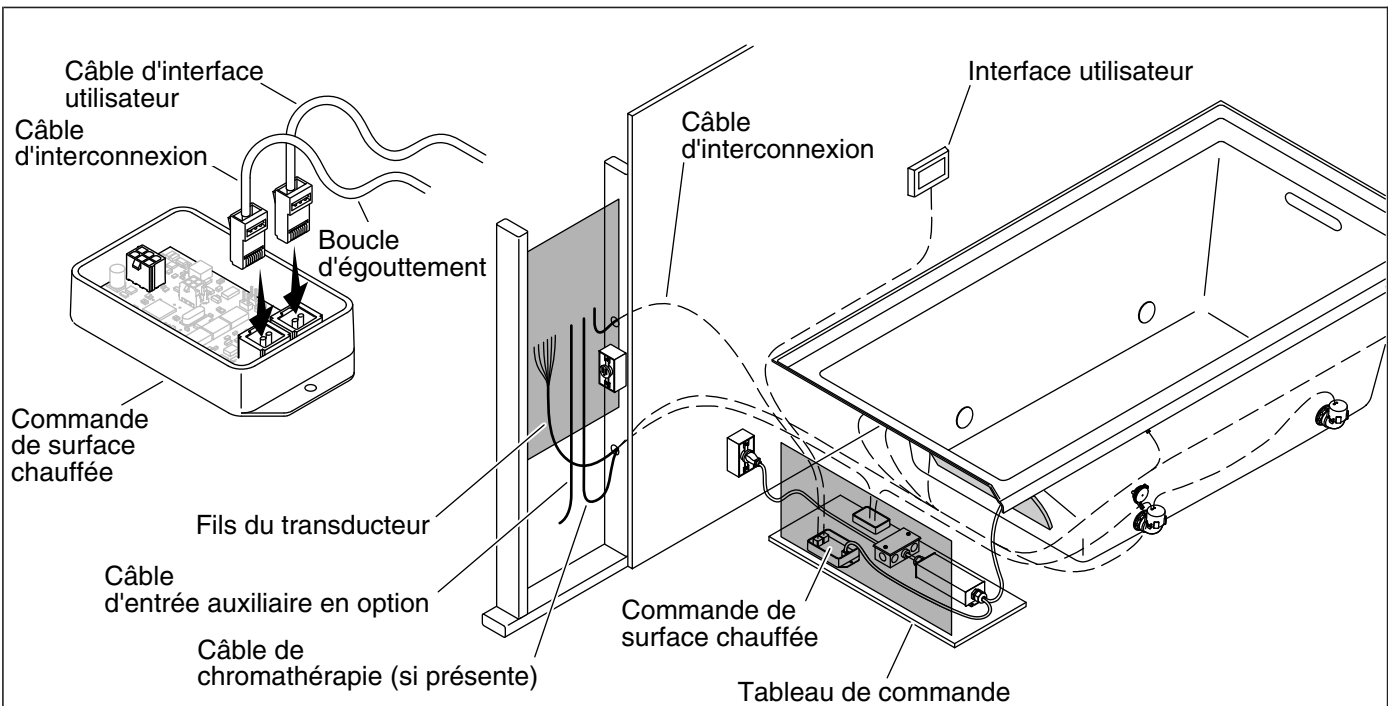
**AVERTISSEMENT: Risque de choc électrique.** Débrancher l'alimentation électrique avant d'effectuer les procédures suivantes.



**AVERTISSEMENT: Risque de choc électrique.** Connecter la baignoire à un disjoncteur de fuite de terre (GFCI) ou à un dispositif à courant résiduel (RCD) mis à la terre de manière adéquate afin de la protéger contre un danger de choc de tension phase-terre.

**IMPORTANT!** Le fil blanc doit être connecté à la borne de charge neutre sur le disjoncteur de fuite de terre (GFCI) ou le dispositif à courant résiduel (RCD). Le fil vert est la **terre de l'équipement** et doit être connecté sur le bus neutre dans la boîte du disjoncteur principal.

- Suivre tous les codes électriques locaux. Raccorder conformément aux codes nationaux et locaux.
- Retirer la fiche de 120 V de l'extrémité du cordon électrique sur l'amplificateur.
- Retirer la fiche de 120 V du cordon électrique sur le boîtier de jonction monté sur le tableau de commande.
- Connecter le service à l'amplificateur avec une fiche de 240 V (non incluse) ou une connexion câblée.
- Connecter le service à la boîte de jonction avec une fiche de 240 V (non incluse) ou une connexion câblée.



## 8. Acheminement des câbles

**IMPORTANT!** Plusieurs des composants de baignoire inclus sont alimentés par l'amplificateur de commande par l'intermédiaire des câbles de 25' (7,6 m). Planifier l'emplacement de l'amplificateur de commande de manière à ce que les câbles puissent être branchés sans aucune tension.

### Connecter les câbles à la commande de surface chauffée

**REMARQUE:** La commande de surface chauffée est montée sur le tableau à l'extrémité de la baignoire.

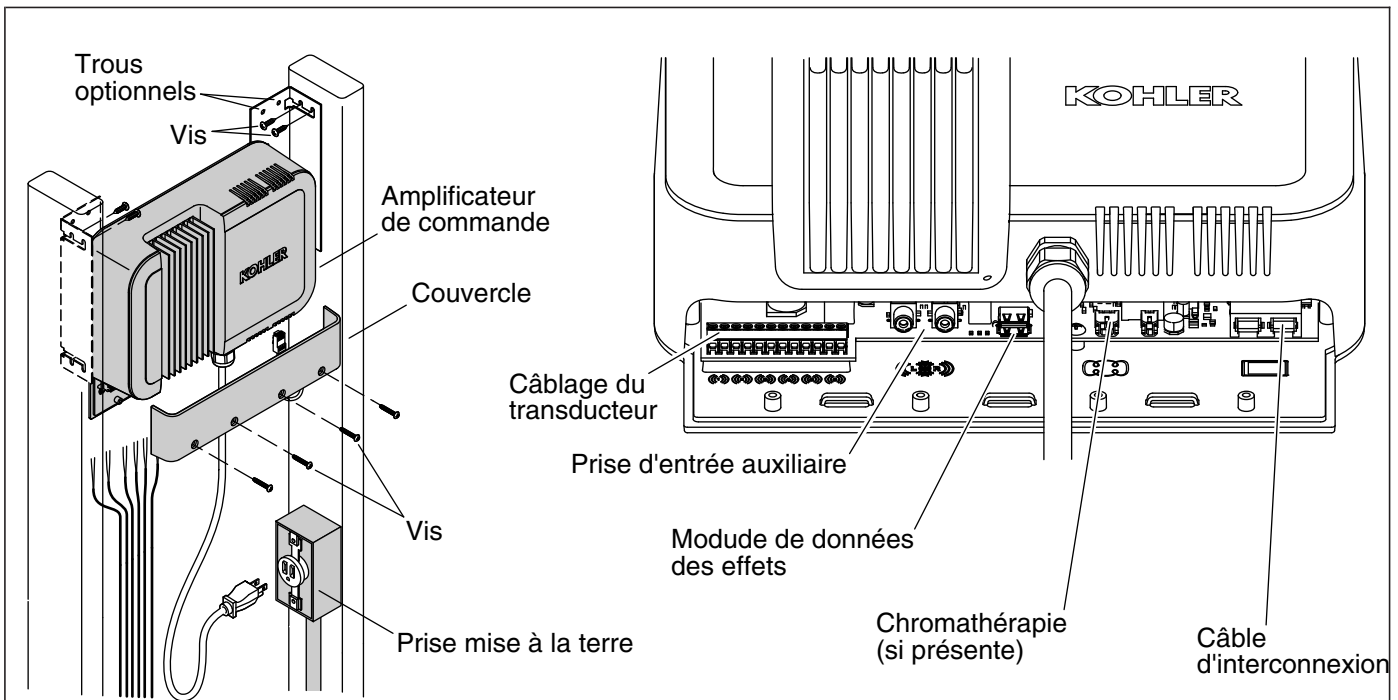
- Connecter l'extrémité Ethernet plus grande du câble d'interface utilisateur sur l'un des deux ports de la commande de surface chauffée.
- Connecter le câble d'interconnexion (les deux extrémités sont pour l'Ethernet) pour l'amplificateur au port ouvert sur la commande de surface chauffée.

### Acheminer les câbles à travers la charpente

- Couper avec précaution l'attache de câble qui sécurise les fils spiralés du transducteur sur l'arrière de la baignoire.
- Acheminer les fils du transducteur à travers la charpente vers l'emplacement de l'amplificateur de commande, en perçant des trous de 1" (52 mm) aux emplacements nécessaires.
- Si la baignoire est munie de l'option de chromathérapie, acheminer le câble entre la baignoire et l'emplacement planifié pour l'amplificateur. Acheminer le câble de la même manière que les câbles du transducteur.
- Acheminer le câble d'interconnexion entre la commande de surface chauffée et l'emplacement de l'amplificateur de commande. Inclure une boucle d'égouttement.
- Acheminer le câble d'interface utilisateur à travers la charpente, entre la commande de surface chauffée et l'emplacement de l'interface utilisateur planifiée. Inclure une boucle d'égouttement.

**REMARQUE:** Une connexion de câble auxiliaire peut être utilisée pour appairer un dispositif BLUETOOTH® ou un autre dispositif à batterie, de manière à ce que les utilisateurs puissent jouer leur propre musique avec la baignoire vibracoustique.

- Si nécessaire, acheminer un câble d'entrée auxiliaire (non inclus) jusqu'à l'emplacement de l'amplificateur de commande.



## 9. Installer l'amplificateur de commande



**AVERTISSEMENT: Risque de choc électrique.** Brancher l'amplificateur de commande sur un réceptacle correctement mis à la terre prévu à cet effet et protégé par un disjoncteur de fuite de terre (GFCI) ou un dispositif de protection à courant résiduel (RCD). Ne pas retirer la cosse de mise à la terre de la prise ni utiliser d'adaptateur de mise à la terre.

**IMPORTANT!** Maintenir le matériel isolant à distance de l'amplificateur de commande. Assurer un espace d'air sans obstruction autour de l'amplificateur de commande pour permettre le refroidissement.

**REMARQUE:** Ne pas retirer les supports de fixation de l'amplificateur de commande.

- Positionner l'amplificateur à ras ou encastrer celui-ci à partir de l'avant des goujons.
- Utiliser les vis à bois fournies pour sécuriser l'amplificateur de commande sur la charpente. Utiliser les chevilles d'ancrage fournies s'il est nécessaire de le sécuriser sur un matériau de mur qui n'est pas en bois.

**REMARQUE:** Pour faire en sorte que les connexions de câblage soient plus accessibles, fixer temporairement l'amplificateur de commande avec une vis sur chaque côté, de manière à permettre à l'amplificateur de basculer vers l'avant. Une fois que les connexions de câblage ont été effectuées, sécuriser l'amplificateur de commande avec les vis restantes.

- Retirer le couvercle de l'amplificateur de commande en enlevant les quatre vis. Les conserver pour la réinstallation.

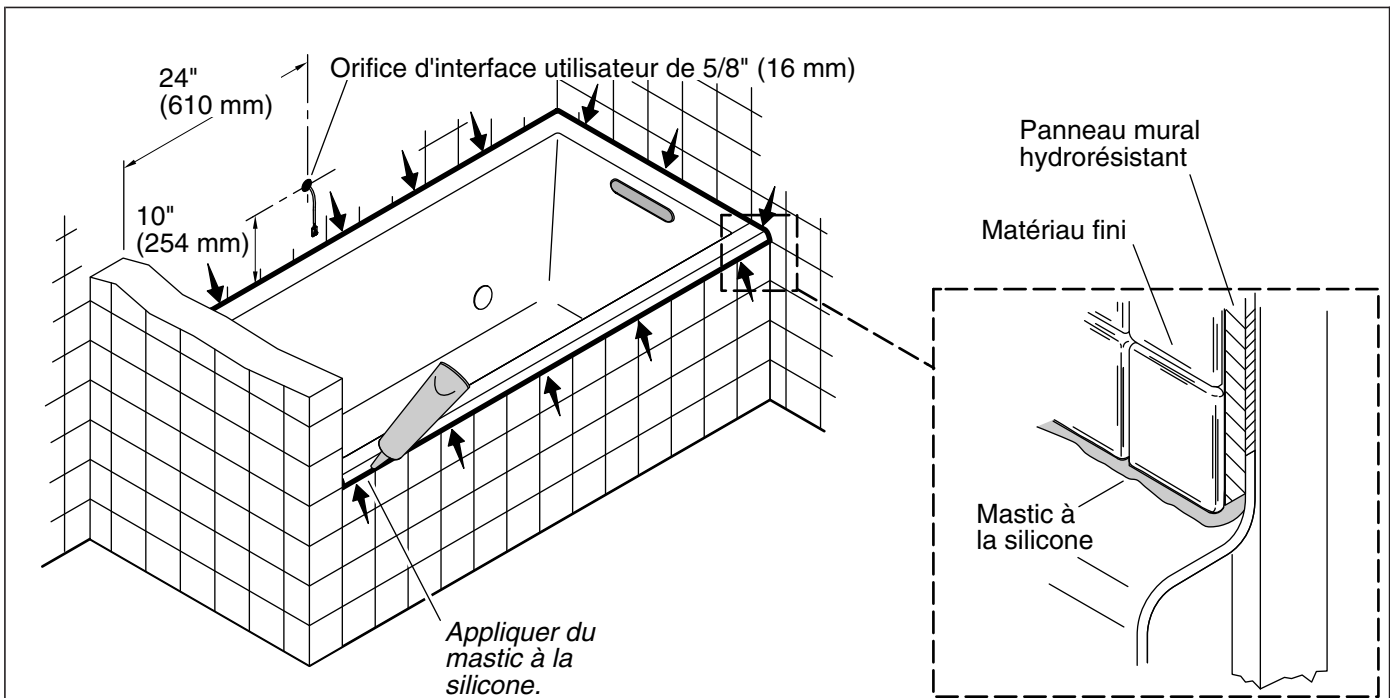
**REMARQUE:** Les bornes et les fils du transducteur sont numérotés pour permettre d'identifier les connexions appropriées. Lorsque requis, l'amplificateur de commande peut être retiré pour faciliter la procédure de connexion des fils.

- Attacher **solidement** les fils du transducteur sur les bornes du transducteur. Les fils blanc et noir sont des câbles positifs (+).
- Si la baignoire en est équipée, connecter le connecteur de chromathérapie à la borne de chromathérapie.
- Connecter le câble d'interconnexion entre le tableau de commande et l'amplificateur.

### **Installer l'amplificateur de commande (cont.)**

- S'ils sont utilisés, connecter les connecteurs RCA d'entrée auxiliaire optionnels aux bornes d'entrée auxiliaire.
- Réinstaller le couvercle sur l'amplificateur de commande avec les quatre vis.
- Brancher l'amplificateur de commande sur la prise électrique.
- Brancher le cordon de la boîte de jonction dans la prise électrique.





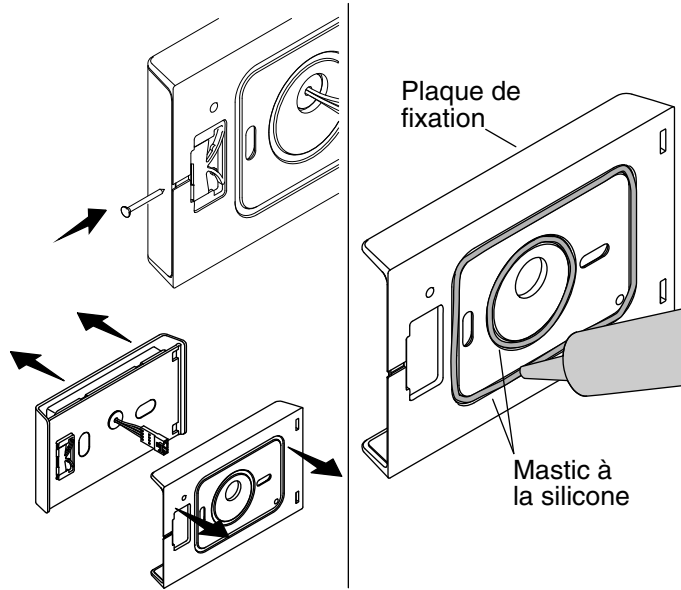
## 10. Terminer les murs finis

- Couvrir la charpente avec du matériau hydrorésistant.
- **Fournir un accès adéquat** à l'amplificateur de commande.
- Installer le matériau de la finition murale.
- Percer un trou de 5/8" (16 mm) dans le matériau du mur à l'endroit où sera installée l'interface utilisateur. Se référer la section "Planifier l'installation" pour l'emplacement recommandé.
- Acheminer le câble de l'interface utilisateur à travers le trou dans le matériau du mur et placer du ruban adhésif ou fixer le câble d'une autre manière pour l'empêcher de tomber entre les murs.
- Sceller les joints entre le rebord de la baignoire et le mur fini avec du mastic à la silicone.
- Installer la garniture de robinet.

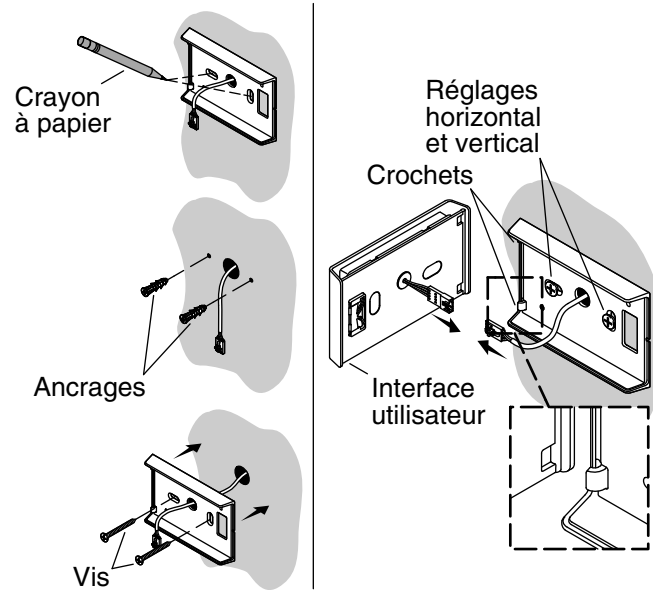
### Construction en béton

- Appliquer du mortier et installer le carrelage sur le mur et le matériau d'encadrement selon les besoins. Installer le carrelage à 1/4" (6 mm) de la plate-forme de la baignoire, en s'assurant de recouvrir les têtes de vis dans la bride.
- Appliquer du mastic d'étanchéité à la silicone à l'endroit où le carrelage rencontre la surface de la baignoire.
- Installer la garniture de robinet.

## Vue arrière



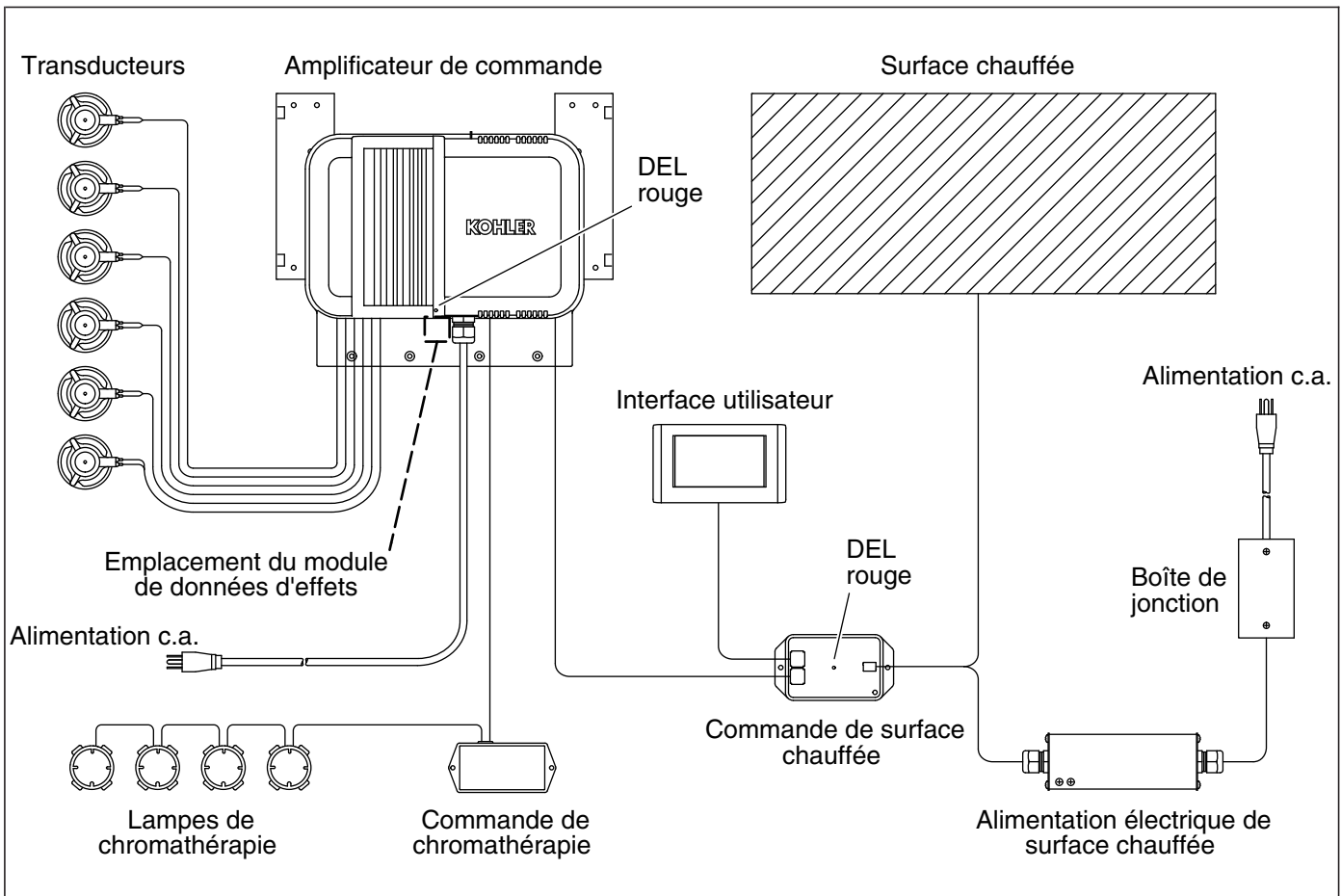
## Vue avant



## 11. Installer l'interface utilisateur

**IMPORTANT!** Ne pas laisser le câble qui est acheminé à travers le mur tomber dans le mur.

- Pousser un clou fin dans la rainure se trouvant dans le côté arrière de l'interface utilisateur pour séparer cette dernière de la plaque de fixation.
- Placer la plaque de fixation par-dessus le câble et contre le mur fini de manière à ce que les crochets se trouvent sur la gauche.
- Mettre la plaque de fixation de niveau et marquer les emplacements des trous pour les vis sur le mur.
- Retirer la plaque de fixation et percer des trous de 1/4" aux emplacements marqués.
- Insérer les dispositifs d'ancrage fournis dans les trous.
- Appliquer un boudin de mastic à la silicone sur les deux rainures se trouvant à l'arrière de la plaque de fixation.
- Placer la plaque de fixation par-dessus le câble avec les crochets sur la gauche et la fixer au mur en utilisant les deux vis fournies.
- S'assurer que la surface est à niveau. Si nécessaire, desserrer les vis et ajuster la plaque de fixation.
- Connecter le câble à l'interface utilisateur.
- Engager le bord de l'interface utilisateur avec les deux crochets de la plaque de fixation, puis faire fermement pivoter l'interface utilisateur contre la plaque de fixation jusqu'à ce que les deux parties s'enclenchent.
- Se référer au guide de l'utilisateur inclus avec l'interface pour installer, programmer et vérifier le fonctionnement correct du produit.



## Composants

## Dépannage

**REMARQUE:** Pour tout renseignement sur les pièces de rechange, visiter la page du produit à [www.kohler.com/serviceparts](http://www.kohler.com/serviceparts).

Ce guide de dépannage est seulement destiné à fournir une aide d'ordre général. Pour des problèmes ou questions concernant l'entretien et l'installation, composer le 1-800-4KOHLER.

### Tableau de dépannage

Symptôme	Cause probable	Action recommandée
1. Pas de son; aucun effet ne fonctionne.	<p><b>A.</b> L'alimentation à l'amplificateur de commande est coupée.</p> <p><b>B.</b> L'amplificateur de commande doit être réinitialisé.</p> <p><b>C.</b> La connexion au module de données des effets est desserrée ou endommagée.</p> <p><b>D.</b> Aucun effet n'a été sélectionné sur l'interface utilisateur.</p>	<p><b>A.</b> Réinitialiser le disjoncteur pour l'amplificateur de commande, puis vérifier l'alimentation électrique et les connexions.</p> <p><b>B.</b> Si le voyant DEL rouge sur l'amplificateur de commande ne clignote pas, débrancher l'amplificateur de commande pendant 30 secondes, puis le rebrancher et le redémarrer.</p> <p><b>C.</b> Inspecter le module de données afin d'y rechercher une connexion desserrée ou un endommagement. Sécuriser la connexion ou remplacer le module selon les besoins.</p> <p><b>D.</b> Sélectionner un effet.</p>

## Dépannage (cont.)

### Tableau de dépannage

Symptôme	Cause probable	Action recommandée
	<p>E. L'intensité vibracoustique est en mode silence sur l'interface utilisateur.</p> <p>F. Les connexions du câble de l'interface utilisateur sont desserrées ou endommagées.</p> <p>G. L'amplificateur de commande ou la commande de surface chauffée ne fonctionne pas.</p> <p>H. L'interface utilisateur ne fonctionne pas.</p>	<p>E. Toucher l'icône [Silence] sur l'interface utilisateur pour désactiver cette option.</p> <p>F. Inspecter les câbles entre l'interface utilisateur, la commande de surface chauffée et l'amplificateur de commande. Sécuriser les connexions ou remplacer les câbles selon les besoins.</p> <p>G. Si le voyant DEL rouge de l'amplificateur de commande ne clignote pas après un redémarrage, inspecter l'amplificateur de commande et/ou la commande de la surface chauffée et remplacer selon les besoins.</p> <p>H. Inspecter l'interface utilisateur. Remplacer selon les besoins.</p>
2. La musique est déformée (résonance non désirée) lorsque les fonctions vibracoustiques sont activées.	<p>A. Le réglage d'intensité est trop élevé sur l'interface utilisateur.</p> <p>B. Les transducteurs sur la surface arrière de la baignoire sont en contact direct avec la charpente, les poutrelles ou tout autre matériel.</p> <p>C. Un ou plusieurs transducteurs sur la surface arrière de la baignoire sont desserrés.</p> <p>D. La baignoire est en contact direct avec la charpente, les poutrelles ou tout autre matériel.</p>	<p>A. Baisser le réglage d'intensité sur l'interface utilisateur.</p> <p>B. Retirer ou repositionner tout matériel qui entre en contact direct avec les transducteurs.</p> <p>C. Faire tourner le ou les transducteurs desserrés dans le sens horaire jusqu'à ce qu'ils soient serrés. <b>Ne pas trop serrer.</b></p> <p>D. Identifier le point de contact et rectifier le problème. La baignoire ne doit pas entrer en contact avec la charpente ou tout autre matériel de support.</p>
3. L'interface utilisateur ne s'allume pas.	<p>A. L'alimentation à l'amplificateur de commande n'est pas allumée.</p> <p>B. L'amplificateur de commande doit être réinitialisé.</p> <p>C. Les connexions du câble d'interface sont desserrées ou endommagées.</p>	<p>A. Réinitialiser le disjoncteur pour l'amplificateur de commande, puis vérifier l'alimentation électrique et les connexions.</p> <p>B. Si le voyant DEL rouge sur l'amplificateur de commande ne clignote pas, débrancher l'amplificateur de commande pendant 30 secondes, puis le rebrancher et le redémarrer.</p> <p>C. Inspecter les câbles entre l'interface utilisateur, la commande de surface chauffée, et l'amplificateur de commande. Sécuriser les connexions ou remplacer les câbles selon les besoins.</p>

## Dépannage (cont.)

### Tableau de dépannage

Symptôme	Cause probable	Action recommandée
	<p><b>D.</b> L'amplificateur de commande ou la commande de surface chauffée ne fonctionne pas.</p> <p><b>E.</b> L'interface utilisateur ne fonctionne pas.</p>	<p><b>D.</b> Si le voyant DEL rouge de l'amplificateur de commande ne clignote pas après un redémarrage, inspecter l'amplificateur de commande et/ou la commande de la surface chauffée et remplacer selon les besoins.</p> <p><b>E.</b> Inspecter l'interface utilisateur. Remplacer selon les besoins.</p>
<p><b>4.</b> L'interface utilisateur s'allume mais ne fonctionne pas.</p>	<p><b>A.</b> L'amplificateur de commande doit être réinitialisé.</p> <p><b>B.</b> Les connexions du câble d'interface sont desserrées ou endommagées.</p> <p><b>C.</b> L'amplificateur de commande ou la commande de surface chauffée ne fonctionne pas.</p> <p><b>D.</b> L'interface utilisateur ne fonctionne pas.</p>	<p><b>A.</b> Si le voyant DEL rouge sur l'amplificateur de commande ne clignote pas, débrancher l'amplificateur de commande pendant 30 secondes, puis le rebrancher et le redémarrer.</p> <p><b>B.</b> Inspecter les câbles entre l'interface utilisateur, la commande de surface chauffée, et l'amplificateur de commande. Sécuriser les connexions ou remplacer les câbles selon les besoins.</p> <p><b>C.</b> Si le voyant DEL rouge de l'amplificateur de commande ne clignote pas après un redémarrage, inspecter l'amplificateur de commande et/ou la commande de la surface chauffée et remplacer selon les besoins.</p> <p><b>D.</b> Inspecter l'interface utilisateur. Remplacer selon les besoins.</p>
<p><b>5.</b> La musique auxiliaire ne fonctionne pas.</p>	<p><b>A.</b> L'alimentation à l'amplificateur de commande n'est pas allumée.</p> <p><b>B.</b> L'amplificateur de commande doit être réinitialisé.</p> <p><b>C.</b> Les connexions des câbles d'entrée auxiliaire ou de l'interface utilisateur sont desserrées ou endommagées.</p> <p><b>D.</b> L'option de source de musique auxiliaire n'est pas sélectionnée sur l'interface utilisateur.</p> <p><b>E.</b> Le son vibracoustique est en mode silence sur l'interface utilisateur.</p> <p><b>F.</b> L'intensité vibracoustique est baissée sur l'interface utilisateur.</p>	<p><b>A.</b> Réinitialiser le disjoncteur pour l'amplificateur de commande, puis vérifier l'alimentation électrique et les connexions.</p> <p><b>B.</b> Si le voyant DEL rouge sur l'amplificateur de commande ne clignote pas, débrancher l'amplificateur de commande pendant 30 secondes, puis le rebrancher et le redémarrer.</p> <p><b>C.</b> Inspecter les câbles entre l'interface utilisateur, la commande de surface chauffée, et l'amplificateur de commande. Sécuriser les connexions ou remplacer les câbles selon les besoins.</p> <p><b>D.</b> Sélectionner l'option de musique auxiliaire sur l'interface utilisateur.</p> <p><b>E.</b> Toucher l'icône [Silence] sur l'interface utilisateur pour désactiver cette option.</p> <p><b>F.</b> Monter l'intensité vibracoustique sur l'interface utilisateur.</p>

**Dépannage (cont.)****Tableau de dépannage**

Symptôme	Cause probable	Action recommandée
	<p><b>G.</b> L'amplificateur de commande ou la commande de surface chauffée ne fonctionne pas.</p> <p><b>H.</b> L'interface utilisateur ne fonctionne pas.</p>	<p><b>G.</b> Si le voyant DEL rouge de l'amplificateur de commande ne clignote pas après un redémarrage, inspecter l'amplificateur de commande et/ou la commande de la surface chauffée et remplacer selon les besoins.</p> <p><b>H.</b> Inspecter l'interface utilisateur. Remplacer selon les besoins.</p>

**Tableau de dépannage pour la chromathérapie (en option)**

Symptôme	Cause probable	Action recommandée
<p><b>1.</b> Les lampes de chromathérapie ne fonctionnent pas.</p>	<p><b>A.</b> L'alimentation à l'amplificateur de commande est coupée.</p> <p><b>B.</b> L'amplificateur de commande doit être réinitialisé.</p> <p><b>C.</b> La fonction de chromathérapie n'a pas été sélectionnée sur l'interface utilisateur.</p> <p><b>D.</b> Les connexions des câbles de chromathérapie ou de l'interface utilisateur sont desserrées ou endommagées.</p> <p><b>E.</b> L'amplificateur de commande ne fonctionne pas.</p> <p><b>F.</b> L'interface utilisateur ne fonctionne pas.</p> <p><b>G.</b> La commande de chromathérapie ne fonctionne pas.</p>	<p><b>A.</b> Réinitialiser le disjoncteur pour l'amplificateur de commande, puis vérifier l'alimentation électrique et les connexions.</p> <p><b>B.</b> Si le voyant DEL rouge sur l'amplificateur de commande ne clignote pas, débrancher l'amplificateur de commande pendant 30 secondes, puis le rebrancher et le redémarrer.</p> <p><b>C.</b> Sélectionner la fonction de chromathérapie sur l'interface utilisateur.</p> <p><b>D.</b> Inspecter les câbles afin d'y rechercher des connexions desserrées ou un endommagement. Sécuriser ou remplacer les câbles selon les besoins.</p> <p><b>E.</b> Si le voyant DEL rouge de l'amplificateur de commande ne clignote pas après un redémarrage, inspecter l'amplificateur de commande et remplacer selon les besoins.</p> <p><b>F.</b> Vérifier que le câble de l'interface utilisateur est bien connecté à l'interface utilisateur et à la borne de l'amplificateur de commande. Si les connexions sont adéquates, remplacer l'interface utilisateur.</p> <p><b>G.</b> Remplacer la commande de chromathérapie.</p>
<p><b>2.</b> Les lampes de chromathérapie ne passent pas par toutes les couleurs.</p>	<p><b>A.</b> L'amplificateur de commande doit être réinitialisé.</p> <p><b>B.</b> Les connexions des câbles de chromathérapie ou de l'interface utilisateur sont desserrées ou endommagées.</p>	<p><b>A.</b> Si le voyant DEL rouge sur l'amplificateur de commande ne clignote pas, débrancher l'amplificateur de commande pendant 30 secondes, puis le rebrancher et le redémarrer.</p> <p><b>B.</b> Inspecter les câbles pour y rechercher des connexions desserrées ou un endommagement. Sécuriser ou remplacer les câbles selon les besoins.</p>

## Dépannage (cont.)

### Tableau de dépannage pour la chromathérapie (en option)

Symptôme	Cause probable	Action recommandée
	<p>C. L'amplificateur de commande ne fonctionne pas.</p> <p>D. L'interface utilisateur ne fonctionne pas.</p> <p>E. Si aucune des actions recommandées ne corrige le problème, contacter Kohler Co.</p>	<p>C. Si le voyant DEL rouge de l'amplificateur de commande ne clignote pas après un redémarrage, inspecter l'amplificateur de commande et remplacer selon les besoins.</p> <p>D. Faire un cycle de toutes les fonctions de lampes de chromathérapie. Si les lampes ne passent pas par toutes les couleurs et si l'icône bleue sur l'interface utilisateur n'est pas allumée, remplacer l'interface utilisateur.</p> <p>E. Contacter le Service après-vente en se reportant aux informations fournies au dos de ce manuel.</p>

### Tableau de dépannage de la surface chauffée

Symptômes	Cause probable	Action recommandée
<p>1. La surface chauffée ne se met pas en marche.</p>	<p>A. Aucune alimentation pour la source d'alimentation électrique.</p> <p>B. La commande de la surface chauffée doit être réinitialisée.</p> <p>C. Les connexions du câble d'interface utilisateur sont desserrées ou endommagées.</p> <p>D. La commande de surface chauffée ne fonctionne pas.</p> <p>E. L'alimentation électrique ne fonctionne pas.</p> <p>F. L'interface utilisateur ne fonctionne pas.</p>	<p>A. Armer/réarmer le disjoncteur GFCI ou RCD; inspecter le câblage et les connexions de l'alimentation électrique.</p> <p>B. Si le voyant DEL rouge sur la commande de surface chauffée ne clignote pas, débrancher la commande pendant 30 secondes, puis la rebrancher et la redémarrer.</p> <p>C. Inspecter les câbles entre l'interface utilisateur, la commande de surface chauffée, et l'amplificateur de commande. Sécuriser les connexions ou remplacer les câbles selon les besoins.</p> <p>D. Inspecter la commande de surface chauffée. Remplacer selon les besoins.</p> <p>E. Inspecter l'alimentation électrique. Remplacer selon les besoins.</p> <p>F. Inspecter l'interface utilisateur. Remplacer selon les besoins.</p>
<p>2. La baignoire est en marche, mais la chaleur est faible ou inexistante.</p>	<p>A. Câble de l'appareil de chauffage desserré ou endommagé.</p> <p>B. Appareil de chauffage/matériau isolant desserré sur la baignoire.</p> <p>C. L'indicateur de chaleur est défini sur l'option de chaleur modérée.</p> <p>D. L'appareil de chauffage ne fonctionne pas.</p> <p>E. La sonde de température ne fonctionne pas.</p>	<p>A. Inspecter les câbles entre l'interface utilisateur, la commande de surface chauffée, et l'amplificateur de commande. Sécuriser les connexions ou remplacer les câbles selon les besoins.</p> <p>B. Sécuriser l'appareil de chauffage/le matériau isolant sur la baignoire.</p> <p>C. Appuyer sur l'icône plus [+] pour augmenter la température.</p> <p>D. Remplacer l'appareil de chauffage.</p> <p>E. Remplacer l'appareil de chauffage.</p>

# Guía de instalación

## Bañera vibracústica de reborde con superficie de calefacción

### INSTRUCCIONES IMPORTANTES



**ADVERTENCIA:** Al usar aparatos eléctricos, siga siempre las precauciones básicas, incluyendo las siguientes:



**ADVERTENCIA: Riesgo de sacudida eléctrica.** Conecte sólo a un circuito protegido por un interruptor de circuito con pérdida a tierra (GFCI)\*. **La conexión a tierra es un requisito.** Un representante de servicio autorizado debe instalar esta unidad y conectarla a tierra.



**ADVERTENCIA: Riesgo de sacudida eléctrica.** Un electricista calificado debe realizar todo el cableado eléctrico.



**ADVERTENCIA: Riesgo de sacudida eléctrica.** Desconecte el suministro eléctrico antes de dar servicio.



**ADVERTENCIA: Riesgo de sacudida eléctrica.** No haga funcionar dispositivos auxiliares eléctricos cerca del agua.



**ADVERTENCIA: Riesgo de daños a la propiedad.** Los materiales de construcción y el cableado se deben colocar lejos de los componentes de la bañera que producen calor.



**ADVERTENCIA: Riesgo de lesiones personales o daños a la propiedad.** Por favor, lea atentamente todas las instrucciones antes de comenzar la instalación.

**AVISO:** Cumpla con todos los códigos de plomería, eléctricos y de construcción.

\*Fuera de los Estados Unidos, este dispositivo se conoce como un dispositivo de corriente residual (RCD, por sus siglas en inglés).

### Información sobre el producto

#### Requisitos eléctricos



**ADVERTENCIA: Riesgo de quemaduras, incendio, sacudida eléctrica o lesiones personales.** No haga funcionar el calentador si el cable de la fuente de alimentación está dañado. Para obtener la asesoría correcta sobre la reparación de este producto, llame al: 1-800-4KOHLER desde los EE.UU. o Canadá, o al 001-800-456-4537 desde México.

La instalación debe contar con un interruptor de circuito con pérdida a tierra (GFCI)\* de Clase A. El GFCI protege contra el peligro de sacudida eléctrica de línea a tierra. **Utilice un circuito dedicado de 120 V, 15 A y 60 Hz para la bañera.**

Se requieren dos tomacorrientes GFCI de 120 V, 15 A (240 V, 15 A en América Latina). Un tomacorrientes se debe ubicar en la estructura de postes de madera y dentro de 24" (610 mm) del amplificador de control. El otro tomacorrientes se debe ubicar dentro de 24" (610 mm) de la caja de empalmes montada en la tarjeta de control en el extremo lumbar de la bañera. Ambos tomacorrientes pueden compartir el mismo servicio eléctrico, pero no debe haber ninguna otra carga en este circuito.

\*Fuera de los Estados Unidos, este dispositivo se conoce como un dispositivo de corriente residual (RCD, por sus siglas en inglés).

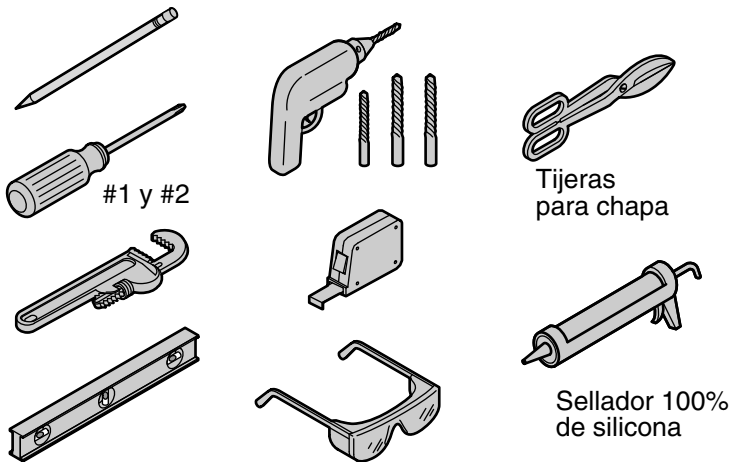


## Información sobre el producto (cont.)

### Componentes ensamblados en fábrica

Los componentes instalados en fábrica incluyen la superficie de calefacción con el cable de la fuente de alimentación, los transductores y las luces de cromoterapia (si equipada). Aparte del cableado eléctrico y la instalación de plomería, no es necesario realizar ningún tipo de ensamble.

### Herramientas y materiales



#### Más:

- Herramientas y materiales convencionales de carpintería
- Postes de madera de 2x4
- Tubo conduit
- Lona
- Cemento mortero (Opcional)
- Adhesivo de construcción (Opcional)
- Tiras de fieltro

### Antes de comenzar

**AVISO:** Se debe proveer el soporte de piso adecuado. Fíjese en el **número de modelo** ubicado en el lado posterior de la bañera, luego visite la página del producto en [www.kohler.com](http://www.kohler.com) para información adicional.

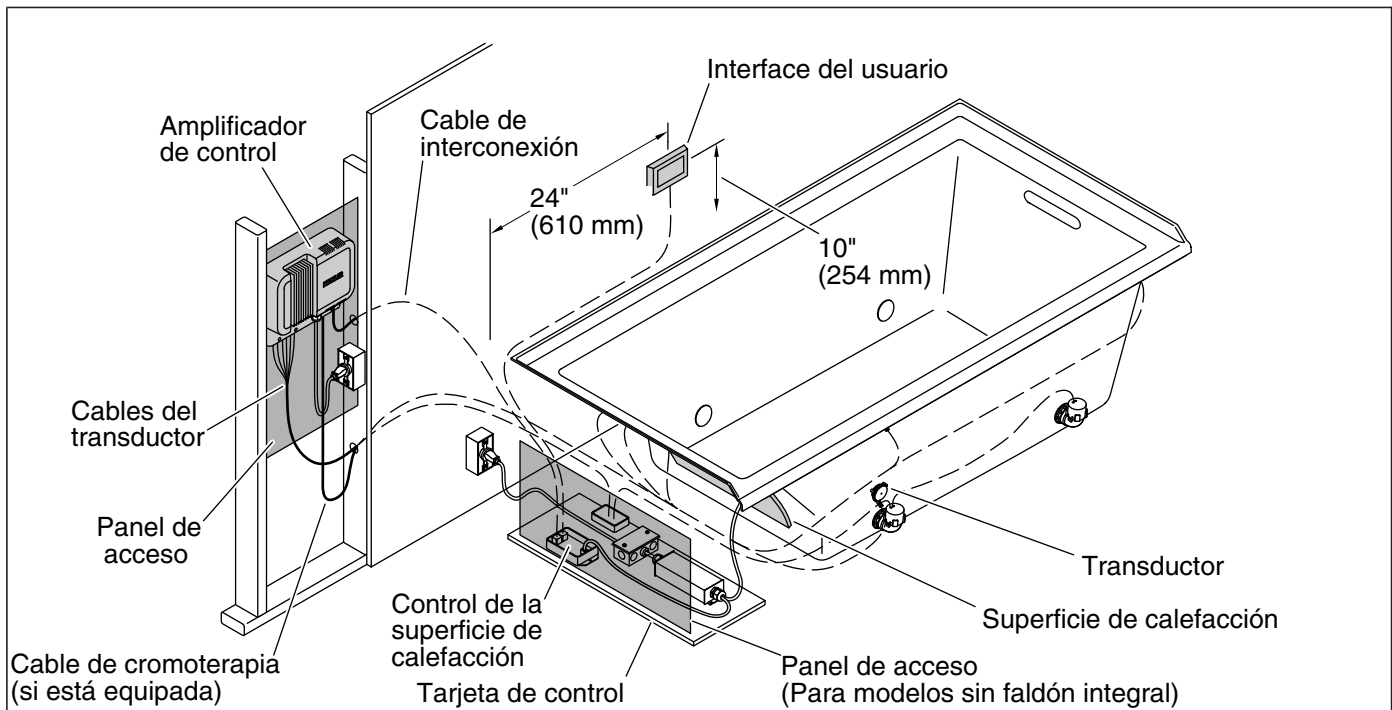
**AVISO:** No apoye la cara del peso de la bañera sobre los bordes.

**AVISO:** Verifique que exista el soporte adecuado si va a instalar una grifería de montaje en el reborde o cubierta. Las griferías grandes que se pueden utilizar accidentalmente como medio de soporte y no son seguras para esta instalación.

- Lea estas instrucciones y determine la ubicación de todos los componentes requeridos antes de comenzar la instalación.
- Provea acceso a las conexiones del amplificador de control y de la tarjeta de control para dar servicio.
- Esta bañera está diseñada para instalaciones en encajonado entre tres paredes.
- El amplificador de control se puede instalar remotamente e incluye un cable de 25' (7.6 m).
- Utilice tubo conduit para tender los cables eléctricos desde el interruptor de circuitos.
- Elija la ubicación para un dispositivo de audio auxiliar, si se utiliza. No ubique dispositivos que utilicen energía eléctrica de CA dentro del alcance de la bañera.
- Planifique con cuidado cómo va a mover la bañera al área de instalación. Esta bañera no cabrá fácilmente a través de los marcos de las puertas.
- Revise la bañera y los componentes antes de comenzar la instalación. Si la bañera presenta daño, no la instale; comuníquese con su distribuidor.
- Instale la bañera sobre un subpiso nivelado. Puede necesitar instalar cuñas si el subpiso está disparejo.

**Antes de comenzar (cont.)**

- Esta bañera cumple con la norma CSA B45.5/IAPMO Z124. Todas las dimensiones son nominales.



## 1. Planee la instalación

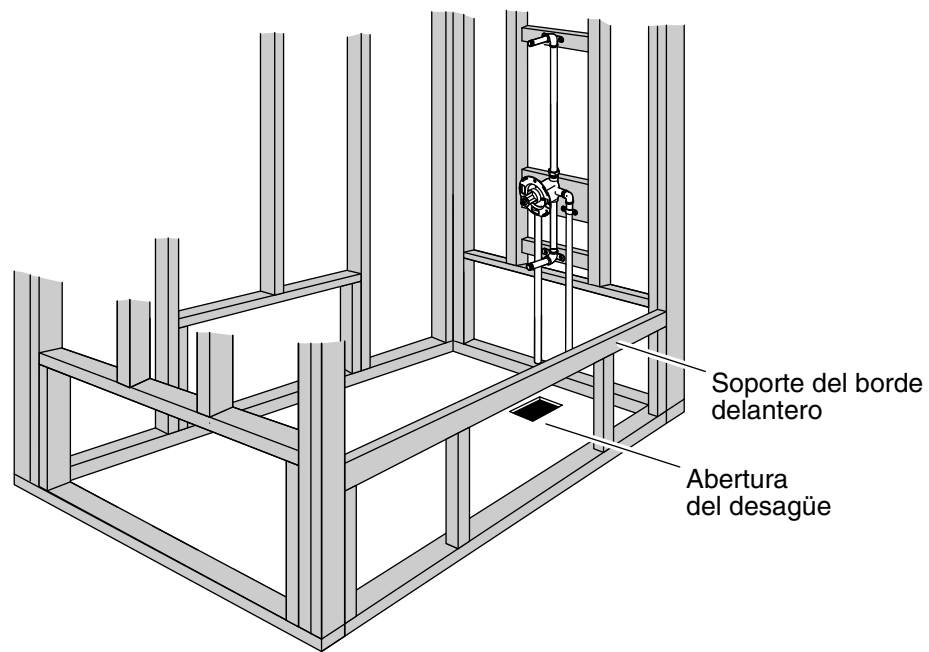
Para obtener los mejores resultados, siga la secuencia de instalación a continuación. Las instrucciones detalladas se encuentran en las páginas siguientes de este guía.

### Secuencia de instalación recomendada

- Determine las ubicaciones de los componentes de la bañera. Consulte la ilustración para las ubicaciones de preferencia.
- Planee las ubicaciones de los paneles de acceso requeridos para dar servicio al amplificador de control y la tarjeta de control. El acceso lateral o frontal para la tarjeta de control es aceptable.
- Construya el encajonado entre tres paredes para la bañera.
- Tienda las líneas de suministro de plomería.
- Instale la bañera y el desagüe.
- Instale un tomacorriente dentro de 24" (610 mm) de la ubicación del amplificador de control.
- Instale un tomacorriente dentro de 24" (610 mm) de la caja de empalmes en la tarjeta de control.
- Tienda los cables de los transductores a la ubicación del amplificador de control.
- Si equipada, tienda el cable de cromoterapia a la ubicación del amplificador de control.
- Tienda el cable de la interface del usuario desde la tarjeta de control a la ubicación de la interface del usuario.
- Instale el amplificador de control.
- Conecte los cables del transductor, el cable auxiliar opcional y el cable de cromoterapia (si equipada) al amplificador de control.
- Tienda el cable de interconexión desde la tarjeta de control al amplificador de control.
- Termine las paredes e instale los paneles de acceso requeridos para el amplificador de control y la tarjeta de control.
- Conecte el cable de la interface del usuario a la interface del usuario e instale la interface.
- Conecte los cables del amplificador de control y la caja de empalmes a los tomacorrientes.

### **Planee la instalación (cont.)**

- Pruebe la funcionalidad de todos los componentes de la bañera. Consulte la "Guía del usuario" para el funcionamiento.



## 2. Prepare el sitio

**AVISO:** Mida el producto para la preparación del lugar. Fíjese en el **número de modelo** ubicado en el lado posterior de la bañera, luego visite la página del producto en [www.kohler.com](http://www.kohler.com) para información adicional.

**AVISO:** No apoye la cara del peso de la bañera sobre los bordes.

### Estructura de postes

- Asegúrese de que el piso proporcione el soporte adecuado para la bañera y verifique que el subpiso esté a nivel. Instale soporte adicional y ajuste el nivel según sea necesario.

**NOTA:** Esta bañera está diseñada para instalación encajonada entre tres paredes.

**NOTA:** Utilice una estructura de madera o concreto. La estructura de madera ofrecerá la mejor calidad vibracústica.

- Construya la estructura de madera, tomando en cuenta el grosor de los materiales de acabado.

**¡IMPORTANTE!** Varios de los componentes incluidos de la bañera reciben energía eléctrica por el amplificador de control mediante los cables de 25' (7,6 m). Planee la ubicación del amplificador de control de manera que los cables alcancen sin tensión.

**NOTA:** Si va a instalar el amplificador de control entre postes de madera, la separación entre postes de madera debe ser 16" (406 mm).

- Construya la estructura de postes de madera o una cavidad para el amplificador de control.
- Provea una manera de tender el cable de la interface del usuario a través de la pared al amplificador de control.

### Plomería

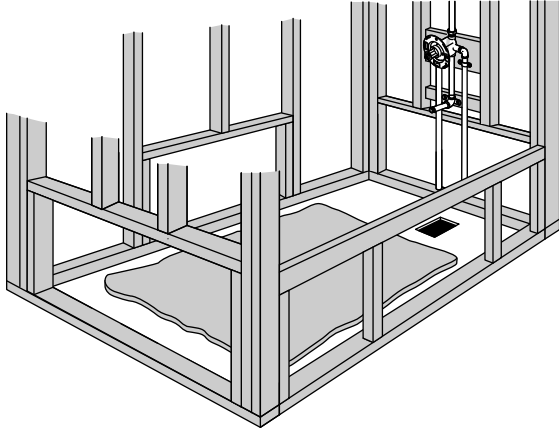
**NOTA:** Para instalaciones con desagüe a través del piso: perforo un orificio en el subpiso para las conexiones del desagüe.

- Instale las tuberías de plomería. Tape los suministros y verifique que no haya fugas.

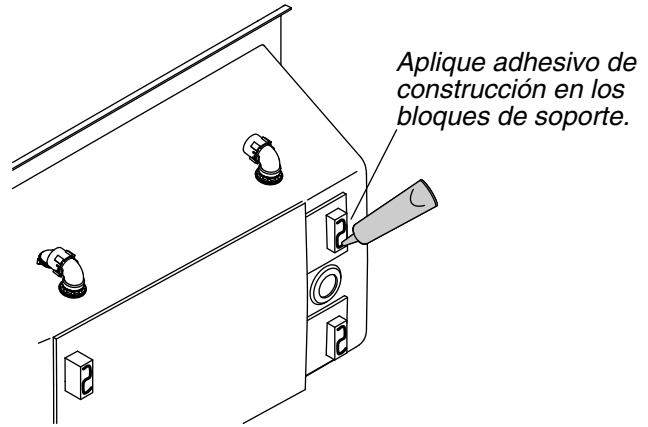
### Prepare el sitio (cont.)

- Fije el desagüe a la bañera según las instrucciones contenidas con el desagüe. **Aún no conecte la trampa.**

### Cemento mortero



### Adhesivo de construcción



## 3. Instale la bañera

**AVISO:** Asegúrese de que el subpiso esté a nivel antes de continuar. Utilice cuñas según sea necesario.

- Fije la bañera utilizando uno de los dos métodos siguientes.

### Método de capa de cemento o mortero

**AVISO:** No utilice cemento de yeso o pasta para paneles de yeso, estos materiales no proporcionarán una adherencia duradera.

- Extienda una capa de 2" (51 mm) de cemento o mortero en el subpiso.
- Con ayuda, coloque con cuidado la bañera en su lugar. Tenga cuidado para evitar dañar los componentes montados en la bañera.
- Verifique que la bañera esté a nivel. Cambie la posición o coloque cuñas según sea necesario.

### Método de adhesivo de construcción

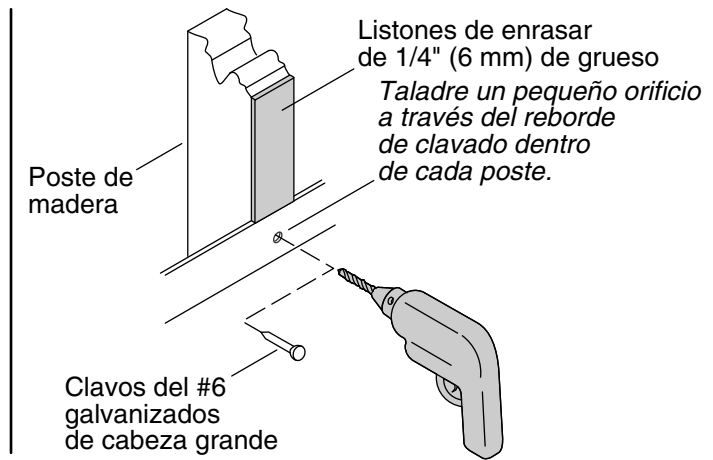
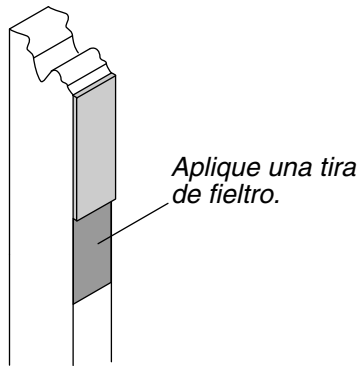
- Aplique una cantidad abundante de adhesivo de construcción de alta calidad en la parte inferior de los bloques de soporte.
- Con ayuda, coloque con cuidado la bañera en su lugar. Tenga cuidado para evitar dañar los componentes montados en la bañera.
- Verifique que la bañera esté a nivel y apoyada en todos los bloques de soporte. Cambie la posición o coloque cuñas según sea necesario.

## 4. Instale la plomería



**PRECAUCIÓN: Riesgo de daños a la propiedad.** Asegure un sello hermético en todas las conexiones del desagüe de la bañera para evitar fugas de agua.

- Conecte el desagüe a la trampa.
- Instale la válvula de la grifería según las instrucciones del fabricante de la grifería. **No instale la guarnición de la grifería en este momento.**
- Abra los suministros del agua fría y caliente. Revise que no haya fugas en las conexiones.
- Llene la bañera hasta el rebosadero y revise que las conexiones del desagüe no presenten fugas.



## 5. Fije el reborde

**NOTA:** Para facilitar la instalación, en este momento provea una manera de alimentar los cables de la interface a través de la pared al amplificador de control.

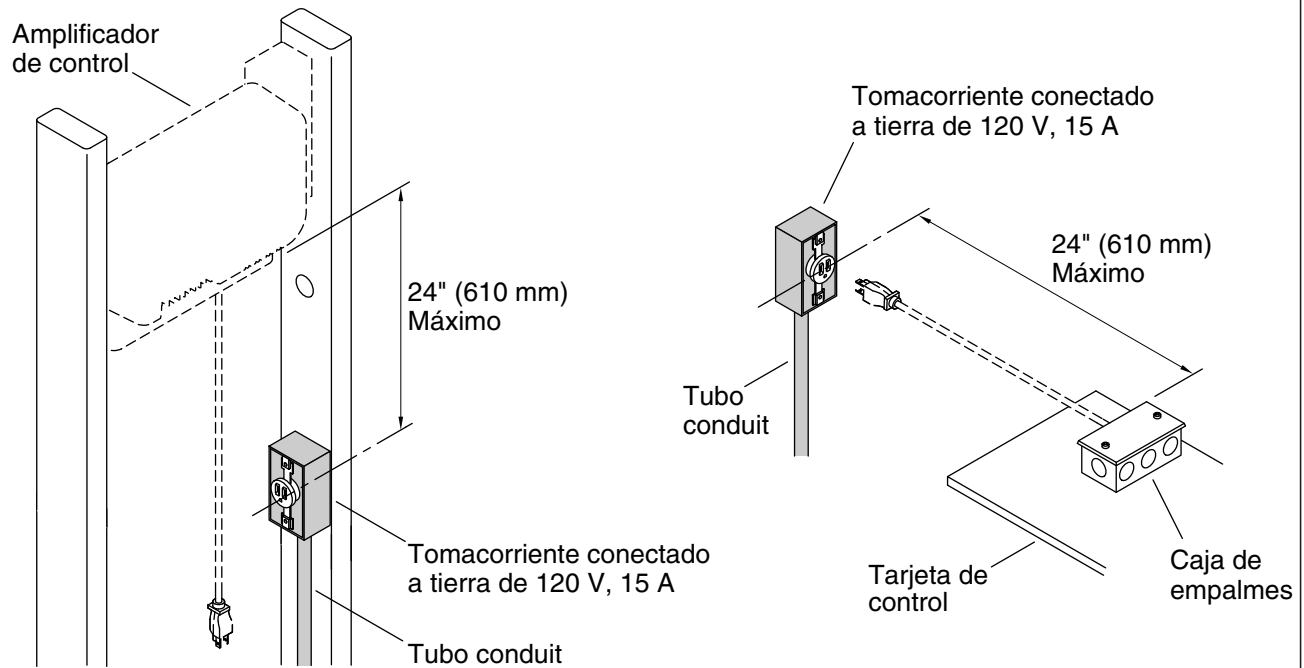
- Coloque una lona limpia en el fondo de la bañera para proteger la superficie.
- Taladre un pequeño orificio guía a través del reborde de clavado en los lugares donde hay un poste de madera. Añada cuñas entre el reborde de clavado y los postes de madera para eliminar la separación.
- Clave listones de enrasar de 1/4" (6 mm) de espesor en los postes de madera para emparejar al filo del reborde de clavado.
- Fije fieltro en cada punto de contacto entre el reborde de clavado y el poste de madera. El fieltro ayudará a reducir la transmisión de la vibración a los postes de madera.
- Utilice tornillos o clavos galvanizados de cabeza grande #6 para fijar el reborde de clavado a los postes de madera.

### Construcción de concreto

**NOTA:** Se recomienda fijar el reborde a la pared para mayor soporte.

- Perfore orificios guía a través del reborde de clavado de manera que queden a 16" (406 mm) de distancia el uno del otro.
- Instale los anclajes para paredes de concreto en los orificios guía.
- Verifique que haya fieltro en los puntos de contacto entre el reborde de clavado y el poste de madera.
- Con tornillos, fije el reborde de clavado a los anclajes de pared.





## 6. Instale tomacorrientes eléctricos – Estados Unidos y Canadá



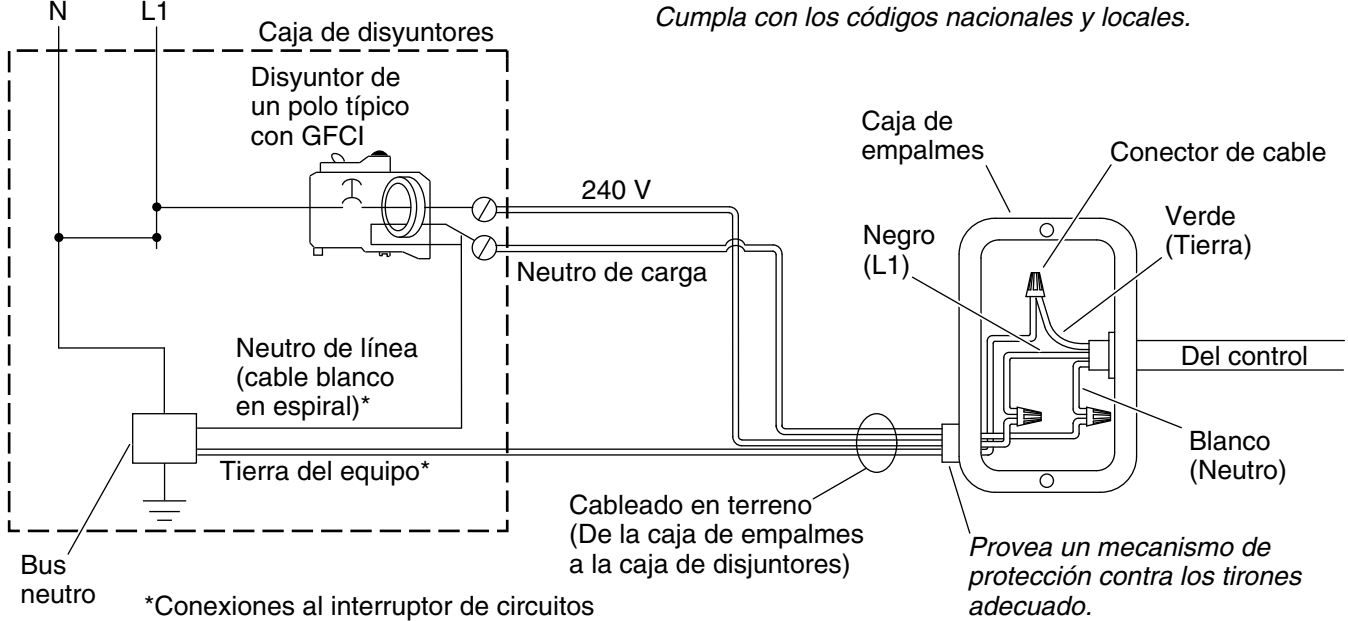
**ADVERTENCIA: Riesgo de sacudida eléctrica.** Desconecte el suministro eléctrico antes de realizar los procedimientos siguientes.

**NOTA:** Para instalaciones en América Latina, pase a la sección "Haga las conexiones eléctricas – América Latina".

**AVISO:** El amplificador de control y la caja de empalmes están equipados con un cable y un enchufe. Un electricista calificado debe instalar dos tomacorrientes conectados a tierra, de 120 V, 15 A con protección mediante un interruptor GFCI o RCD. Ambos tomacorrientes pueden compartir el mismo servicio eléctrico, pero no debe haber ninguna otra carga en este circuito.

- Instale un tomacorriente con conexión a tierra, de 120 V, 15 A en la estructura de la pared y dentro de 24" (610 mm) del lugar planeado para el amplificador de control. Tienda los cables a través de tubo conduit para esta instalación de tomacorriente.
- Instale un tomacorriente de 120 V, 15 A conectado a tierra cerca del extremo de la bañera que lleva la tarjeta de control y dentro de 24" (610 mm) de la caja de empalmes.

Fuente de 240 VCA



## 7. Haga las conexiones eléctricas – América Latina

**NOTA:** La capacidad eléctrica del producto está impresa en una etiqueta en el lado lumbar de la bañera. Todas las bañeras vibracústicas están diseñadas para funcionamiento entre 110 V y 240 V, en 50 Hz o 60 Hz.



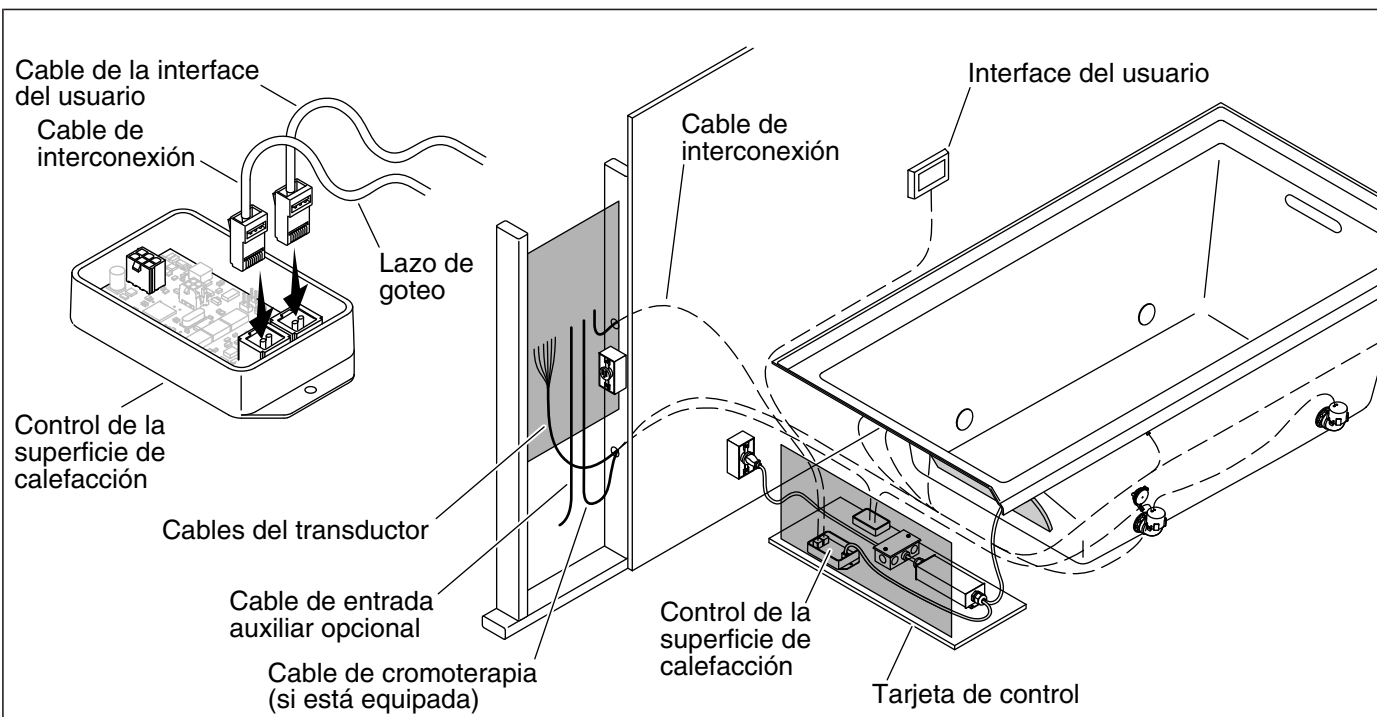
**ADVERTENCIA: Riesgo de sacudida eléctrica.** Desconecte el suministro eléctrico antes de realizar los procedimientos siguientes.



**ADVERTENCIA: Riesgo de sacudida eléctrica.** Conecte la bañera a un interruptor de circuito con pérdida a tierra (GFCI) o un dispositivo de corriente residual (RCD) para protección contra el peligro de sacudida eléctrica de línea a tierra.

**¡IMPORTANTE!** El cable blanco debe conectarse al terminal de neutro de carga en el interruptor GFCI o RCD. El cable verde es la **tierra del equipo** y se tiene que conectar al bus neutro en la caja de disyuntores principal.

- Cumpla con todos los códigos eléctricos locales. Cumpla con los códigos nacionales y locales.
- Retire el tapón de 120 V del extremo del cable eléctrico en el amplificador.
- Retire el tapón de 120 V del cable eléctrico en la caja de empalmes montada a la tarjeta de control.
- Conecte el servicio eléctrico al amplificador con un enchufe de 240 V (no provisto) o cableado directo.
- Conecte el servicio eléctrico a la caja de empalmes con una conexión de enchufe de 240 V (no provisto) o cableado directo.



## 8. Tienda los cables

**¡IMPORTANTE!** Varios de los componentes incluidos de la bañera reciben energía eléctrica por el amplificador de control mediante los cables de 25' (7.6 m). Planee la ubicación del amplificador de control de manera que los cables alcancen sin tensión.

### Conecte los cables al control de la superficie de calefacción

**NOTA:** El control de la superficie de calefacción está montado en la tarjeta en el extremo de la bañera.

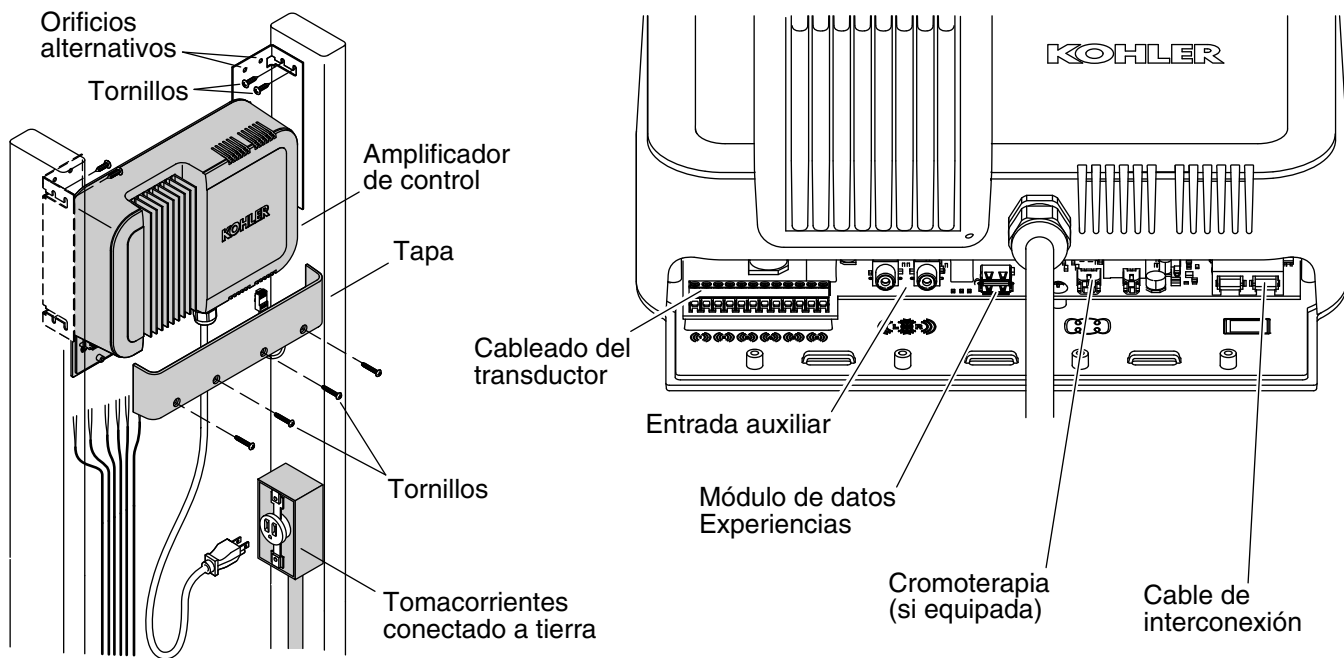
- Conecte el extremo Ethernet grande del cable de la interface del usuario a uno de los dos puertos en el control de la superficie de calefacción.
- Conecte el cable de interconexión (ambos extremos son Ethernet) para el amplificador al puerto abierto en el control de la superficie de calefacción.

### Tienda los cables en la estructura de postes de madera

- Con cuidado corte el amarre del cable que fije los cables del transductor en espiral al lado posterior de la bañera.
- Tienda los cables del transductor en los postes de madera a la ubicación del amplificador de control, taladrando orificios de 1" (52 mm) donde sea necesario.
- Si equipada, tienda el cable de cromoterapia desde la bañera hasta la ubicación planeada del amplificador. Siga la misma ruta de los cables del transductor.
- Tienda el cable de interconexión desde el control de la superficie de calefacción hasta la ubicación del amplificador de control. Incluya un lazo de goteo.
- Tienda el cable de la interface del usuario en la estructura de postes de madera desde el control de la superficie de calefacción hasta la ubicación planeada de la interface del usuario. Incluya un lazo de goteo.

**NOTA:** Se puede usar una conexión de cable auxiliar para conectar dispositivos de Bluetooth® y otros dispositivos de audio de pilas para que los usuarios puedan reproducir su propia música con la bañera vibracústica.

- Si se usa, tienda un cable de entrada auxiliar (no provisto) a la ubicación del amplificador de control.



## 9. Instale el amplificador de control



**ADVERTENCIA: Riesgo de sacudida eléctrica.** Conecte el amplificador de control a un tomacorriente conectado a tierra apropiadamente, protegido por un interruptor de circuito con pérdida a tierra (GFCI) o dispositivo de corriente residual (RCD). No quite la clavija de conexión a tierra del enchufe ni utilice un adaptador de conexión a tierra.

**¡IMPORTANTE!** Mantenga los materiales de aislamiento alejados del amplificador de control. Provea un espacio de aire sin obstrucciones al rededor del amplificador de control para permitir el enfriamiento.

**NOTA: NO** retire los soportes de montaje del amplificador de control.

- Coloque el amplificador al ras o empotrado a partir del frente de los postes de madera.
- Utilice los tornillos para madera provistos para fijar el amplificador de control a la estructura de madera. Utilice los anclajes provistos si va a fijar a un material de pared que no sea madera.

**NOTA:** Para que las conexiones de cable sean más accesibles, fije provisionalmente el amplificador de control con un tornillo de cada lado para permitir que el amplificador se incline hacia delante. Una vez hechas las conexiones de cables, fije el amplificador de control con los tornillos restantes.

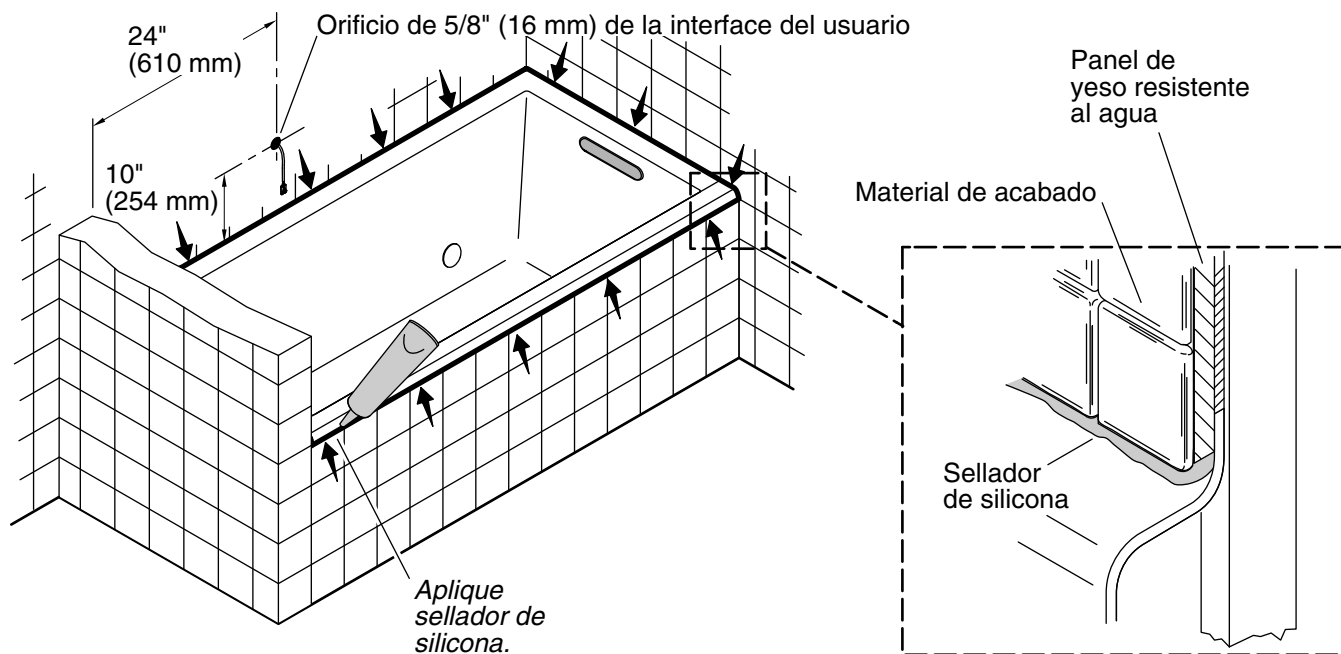
- Retire la tapa del amplificador de control retirando los cuatro tornillos. Guarde para volver a instalar.

**NOTA:** Los terminales del transductor y los cables están numerados para identificación de las conexiones correctas. Cuando se requiera, el amplificador de control se puede retirar para facilitar el proceso de conexión de cables.

- Fije **con seguridad** los cables del transductor a los terminales del transductor. Los cables blancos con negro son los conductores positivos (+).
- Si equipada, conecte el conector de cromoterapia al terminal de cromoterapia.
- Conecte el cable de interconexión desde la caja de control al amplificador.
- Si equipada, conecte los conectores RCA de entrada auxiliar opcional a los terminales de entrada auxiliar.
- Vuelva a instalar la tapa al amplificador de control con los cuatro tornillos.

### **Instale el amplificador de control (cont.)**

- Enchufe el amplificador de control al tomacorriente.
- Enchufe el cable de la caja de empalmes al tomacorriente.



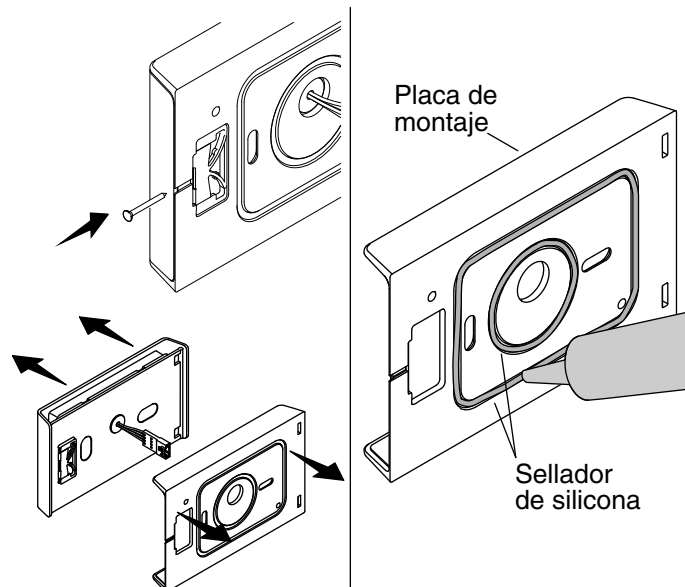
## 10. Termine las paredes acabadas

- Cubra la estructura de postes de madera con material resistente al agua.
- **Provea acceso adecuado** al amplificador de control.
- Instale el material de acabado de la pared.
- Taladre un orificio de 5/8" (16 mm) a través del material de la pared donde instalará la interface del usuario. Consulte la sección "Planee la instalación" para las ubicaciones recomendados.
- Tienda el cable de la interface del usuario a través del orificio del material de la pared, y use cinta o otro medio para fijar el cable de manera que no se caiga entre las paredes.
- Selle las juntas entre el borde de la bañera y la pared acabada con sellador de silicona.
- Instale la guarnición de la grifería.

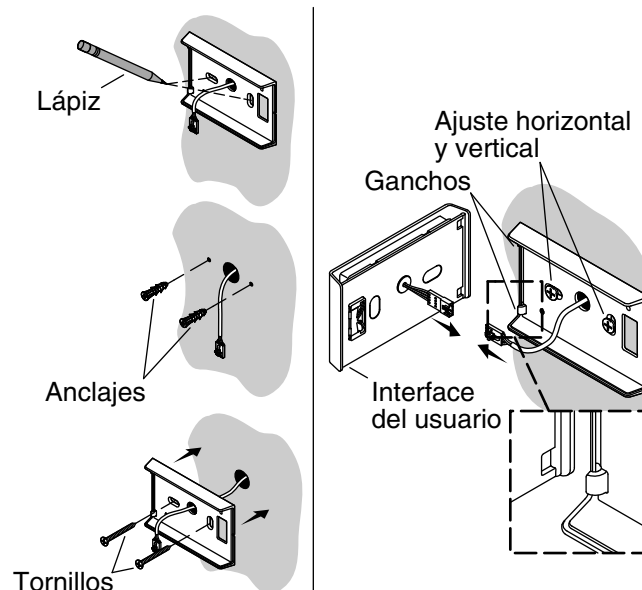
### Construcción de concreto

- Aplique cemento de construcción y adhiera los azulejos a la pared y al material de la estructura según sea necesario. Instale el azulejo a 1/4" (6 mm) de la cubierta de la bañera, asegurándose de que el azulejo cubra las cabezas de los tornillos en el reborde.
- Aplique una tira de sellador en los lugares donde el azulejo entre en contacto con la superficie de la bañera.
- Instale la guarnición de la grifería.

### Vista posterior



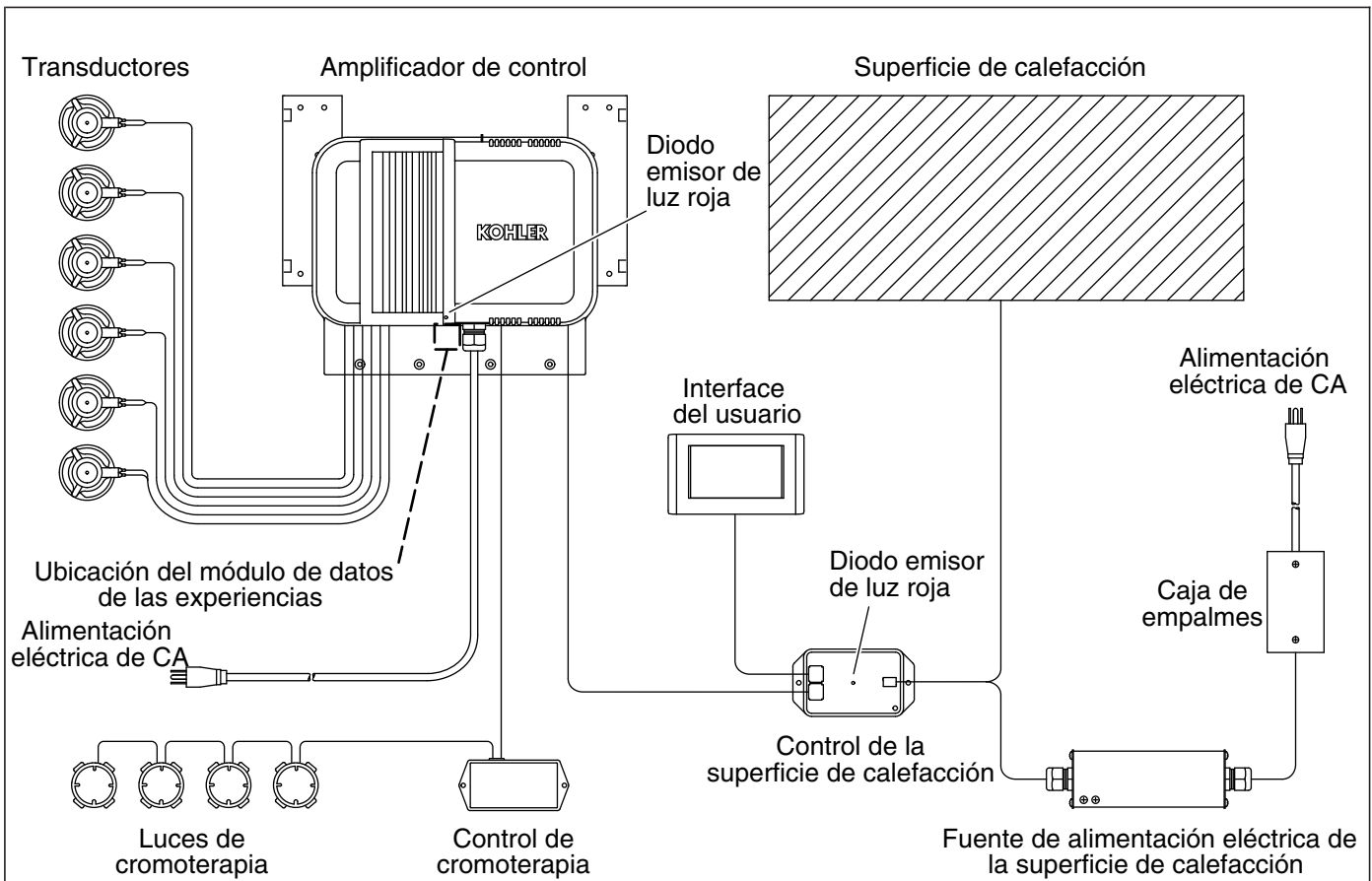
### Vista frontal



## 11. Instale la interface del usuario

**¡IMPORTANTE!** No permita que el cable pasado a través del orificio de la pared se caiga detrás de la pared.

- Empuje un clavo delgado en la ranura del lado posterior de la interface del usuario para separar la interface de la placa de montaje.
- Coloque la placa de montaje sobre el cable y contra la pared acabada de manera que los ganchos estén a la izquierda.
- Nivele la placa de montaje y marque las ubicaciones de los orificios para tornillo en la pared.
- Retire la placa de montaje y taladre orificios de 1/4" en las ubicaciones marcadas.
- Inserte los anclajes de pared provistos en los orificios.
- Aplique una tira de sellador de silicona en las dos ranuras del lado posterior de la placa de montaje.
- Coloque la placa de montaje sobre el cable con los ganchos a la izquierda y fije a la pared utilizando los dos tornillos provistos.
- Verifique que esté a nivel. Si es necesario, afloje los tornillos y ajuste la placa de montaje.
- Conecte el cable a la interface del usuario.
- Enganche el filo de la interface del usuario con los dos ganchos de la placa de montaje, luego gire la interface del usuario contra la placa de montaje hasta que encajen juntos.
- Consulte la Guía del usuario provista con la interface para configurar, programar y verificar el funcionamiento correcto del producto.



## Componentes

## Guía para resolver problemas

**NOTA:** Para información sobre piezas de repuesto, visite la página de su producto en [www.kohler.com/serviceparts](http://www.kohler.com/serviceparts).

Esta guía para resolver problemas está diseñada únicamente como ayuda general. Si tiene preguntas con respecto al servicio o a la instalación, llame al 1-800-4KOHLER.

### Tabla para resolver problemas

Síntoma	Causa probable	Acción recomendada
1. No hay sonido; ninguna experiencia funciona.	<p><b>A.</b> No hay corriente eléctrica al amplificador de control.</p> <p><b>B.</b> Se debe restablecer el amplificador de control.</p> <p><b>C.</b> La conexión del módulo de datos de experiencias está floja o dañada.</p> <p><b>D.</b> No se ha seleccionado una experiencia en la interface del usuario.</p>	<p><b>A.</b> Restablezca el interruptor de circuitos al amplificador de control, luego verifique el suministro de energía eléctrica y las conexiones.</p> <p><b>B.</b> Si el LED rojo en el amplificador de control no está parpadeando, desenchufe el amplificador de control por 30 segundos, luego enchúfelo y vuelva a iniciar.</p> <p><b>C.</b> Revise que la conexión del módulo de datos no esté floja ni dañada. Apriete las conexiones o reemplace el módulo según sea necesario.</p> <p><b>D.</b> Seleccione una experiencia.</p>



## Guía para resolver problemas (cont.)

### Tabla para resolver problemas

Síntoma	Causa probable	Acción recomendada
	<p>E. La intensidad vibracústica está silenciada en la interface del usuario.</p> <p>F. Las conexiones de cable de la interface del usuario están flojas o dañadas.</p> <p>G. El amplificador de control o el control de la superficie de calefacción no funciona.</p> <p>H. La interface del usuario no funciona.</p>	<p>E. Toque el icono [Silenciar] en la interface del usuario para apagar la configuración de silenciar.</p> <p>F. Revise los cables entre la interface del usuario, el control de la superficie de calefacción y el amplificador de control. Apriete las conexiones o reemplace los cables según sea necesario.</p> <p>G. Si el diodo emisor de luz rojo en el amplificador de control no parpadea después de reiniciar, revise el amplificador de control y/o el control de la superficie de calefacción y reemplace si es necesario.</p> <p>H. Revise la interface del usuario. Reemplace según sea necesario.</p>
<p>2. La música se distorsiona (resonancia no deseable) cuando las funciones vibracústicas están activadas.</p>	<p>A. La configuración de la intensidad está muy alta en la interface del usuario.</p> <p>B. Los transductores de la superficie posterior de la bañera están en contacto directo con la estructura de postes de madera, viguetas u otros materiales.</p> <p>C. Uno o más de los transductores de la superficie posterior de la bañera están flojos.</p> <p>D. La bañera está en contacto directo con la estructura de madera, viguetas u otros materiales.</p>	<p>A. Reduzca el valor de intensidad en la interface del usuario.</p> <p>B. Retire o cambie la posición de los materiales que estén en contacto directo con los transductores.</p> <p>C. Gire el o los transductores flojos hacia la derecha con sus dedos hasta apretar. <b>No apriete demasiado.</b></p> <p>D. Identifique el punto de contacto y corrija. La bañera no debe hacer contacto con la estructura de madera o materiales de soporte.</p>
<p>3. La interface del usuario no se ilumina.</p>	<p>A. No hay corriente eléctrica al amplificador de control.</p> <p>B. Se debe restablecer el amplificador de control.</p> <p>C. Las conexiones de cable de la interface del usuario están flojas o dañadas.</p> <p>D. El amplificador de control o el control de la superficie de calefacción no funciona.</p>	<p>A. Restablezca el interruptor de circuitos al amplificador de control, luego verifique el suministro de energía eléctrica y las conexiones.</p> <p>B. Si el LED rojo en el amplificador de control no está parpadeando, desenchufe el amplificador de control por 30 segundos, luego enchúfelo y vuelva a iniciar.</p> <p>C. Revise los cables entre la interface del usuario, el control de la superficie de calefacción y el amplificador de control. Apriete las conexiones o reemplace los cables según sea necesario.</p> <p>D. Si el diodo emisor de luz rojo en el amplificador de control no parpadea después de reiniciar, revise el amplificador de control y/o el control de la superficie de calefacción y reemplace si es necesario.</p>

## Guía para resolver problemas (cont.)

### Tabla para resolver problemas

Síntoma	Causa probable	Acción recomendada
	E. La interface del usuario no funciona.	E. Revise la interface del usuario. Reemplace según sea necesario.
4. La interface del usuario se ilumina pero no funciona.	<p>A. Se debe restablecer el amplificador de control.</p> <p>B. Las conexiones de cable de la interface del usuario están flojas o dañadas.</p> <p>C. El amplificador de control o el control de la superficie de calefacción no funciona.</p> <p>D. La interface del usuario no funciona.</p>	<p>A. Si el LED rojo en el amplificador de control no está parpadeando, desenchufe el amplificador de control por 30 segundos, luego enchúfelo y vuelva a iniciar.</p> <p>B. Revise los cables entre la interface del usuario, el control de la superficie de calefacción y el amplificador de control. Apriete las conexiones o reemplace los cables según sea necesario.</p> <p>C. Si el diodo emisor de luz rojo en el amplificador de control no parpadea después de reiniciar, revise el amplificador de control y/o el control de la superficie de calefacción y reemplace si es necesario.</p> <p>D. Revise la interface del usuario. Reemplace según sea necesario.</p>
5. La música auxiliar no funciona.	<p>A. No hay corriente eléctrica al amplificador de control.</p> <p>B. Se debe restablecer el amplificador de control.</p> <p>C. Las conexiones de cable de la interface del usuario o de la entrada auxiliar están flojas o dañadas.</p> <p>D. La opción de fuente de música auxiliar no está seleccionada en la interface del usuario.</p> <p>E. El sonido vibracústico está silenciado en la interface del usuario.</p> <p>F. La intensidad vibracústica está reducida en la interface del usuario.</p> <p>G. El amplificador de control o el control de la superficie de calefacción no funciona.</p> <p>H. La interface del usuario no funciona.</p>	<p>A. Restablezca el interruptor de circuitos al amplificador de control, luego verifique el suministro de energía eléctrica y las conexiones.</p> <p>B. Si el LED rojo en el amplificador de control no está parpadeando, desenchufe el amplificador de control por 30 segundos, luego enchúfelo y vuelva a iniciar.</p> <p>C. Revise los cables entre la interface del usuario, el control de la superficie de calefacción y el amplificador de control. Apriete las conexiones o reemplace los cables según sea necesario.</p> <p>D. Seleccione la opción de música auxiliar en la interface del usuario.</p> <p>E. Toque el icono [Silenciar] en la interface del usuario para apagar la configuración de silenciar.</p> <p>F. Aumente la intensidad vibracústica en la interface del usuario.</p> <p>G. Si el diodo emisor de luz rojo en el amplificador de control no parpadea después de reiniciar, revise el amplificador de control y/o el control de la superficie de calefacción y reemplacé si es necesario.</p> <p>H. Revise la interface del usuario. Reemplace según sea necesario.</p>

## Guía para resolver problemas (cont.)

### Tabla para resolver problemas de cromoterapia (opcional)

Síntoma	Causa probable	Acción recomendada
1. Las luces de cromoterapia no funcionan.	<p><b>A.</b> No hay corriente eléctrica al amplificador de control.</p> <p><b>B.</b> Se debe restablecer el amplificador de control.</p> <p><b>C.</b> La función de cromoterapia no se ha seleccionado en la interface del usuario.</p> <p><b>D.</b> Las conexiones de los cables de cromoterapia o de la interface del usuario están flojas o dañadas.</p> <p><b>E.</b> El amplificador de control no funciona.</p> <p><b>F.</b> La interface del usuario no funciona.</p> <p><b>G.</b> La cromoterapia no funciona.</p>	<p><b>A.</b> Restablezca el interruptor de circuitos al amplificador de control, luego verifique el suministro de energía eléctrica y las conexiones.</p> <p><b>B.</b> Si el LED rojo en el amplificador de control no está parpadeando, desenchufe el amplificador de control por 30 segundos, luego enchúfelo y vuelva a iniciar.</p> <p><b>C.</b> Seleccione la función de cromoterapia en la interface del usuario.</p> <p><b>D.</b> Revise que las conexiones de los cables no estén flojas ni dañadas. Apriete o reemplace los cables según sea necesario.</p> <p><b>E.</b> Si el diodo emisor de luz rojo en el amplificador de control no parpadea después de reiniciar, revise el amplificador de control y reemplace si es necesario.</p> <p><b>F.</b> Verifique que el cable de la interface del usuario esté conectado con seguridad a la interface del usuario y al terminal del amplificador de control. Si las conexiones están buenas, reemplace la interface del usuario.</p> <p><b>G.</b> Reemplace el control de cromoterapia.</p>
2. Las luces de cromoterapia no cambian de color en el ciclo de todos los colores.	<p><b>A.</b> Se debe restablecer el amplificador de control.</p> <p><b>B.</b> Las conexiones de los cables de cromoterapia o de la interface del usuario están flojas o dañadas.</p> <p><b>C.</b> El amplificador de control no funciona.</p> <p><b>D.</b> La interface del usuario no funciona.</p> <p><b>E.</b> Si ninguna de las acciones recomendadas corrigen el problema, comuníquese con Kohler Co.</p>	<p><b>A.</b> Si el LED rojo en el amplificador de control no está parpadeando, desenchufe el amplificador de control por 30 segundos, luego enchúfelo y vuelva a iniciar.</p> <p><b>B.</b> Revise que las conexiones de los cables no estén flojas ni dañadas. Apriete o reemplace los cables según sea necesario.</p> <p><b>C.</b> Si el diodo emisor de luz rojo en el amplificador de control no parpadea después de reiniciar, revise el amplificador de control y reemplace si es necesario.</p> <p><b>D.</b> Pase por todas las funciones de las luces de cromoterapia. Si las luces no pasan por el ciclo de todos los colores y el icono azul de la interface del usuario no se ilumina, reemplace la interface del usuario.</p> <p><b>E.</b> Comuníquese con el Centro de Atención al Cliente utilizando la información de contacto de la última página.</p>

## Guía para resolver problemas (cont.)

### Tabla para resolver problemas de la superficie de calefacción

Síntomas	Causa probable	Acción recomendada
1. La superficie de calefacción no se enciende.	<p><b>A.</b> La fuente de alimentación no recibe alimentación eléctrica.</p> <p><b>B.</b> El control de la superficie de calefacción se tiene que restablecer (reset).</p> <p><b>C.</b> Las conexiones de cable de la interface del usuario están flojas o dañadas.</p> <p><b>D.</b> El control de la superficie de calefacción no funciona.</p> <p><b>E.</b> La fuente de alimentación eléctrica no funciona.</p> <p><b>F.</b> La interface del usuario no funciona.</p>	<p><b>A.</b> Establezca/restablezca el interruptor GFCI o RCD; revise el cableado y las conexiones de la fuente de alimentación.</p> <p><b>B.</b> Si el LED rojo en el control de la superficie de calefacción no está parpadeando, desenchufe el control por 30 segundos, luego enchúfelo y vuelva a iniciar.</p> <p><b>C.</b> Revise los cables entre la interface del usuario, el control de la superficie de calefacción y el amplificador de control. Apriete las conexiones o reemplace los cables según sea necesario.</p> <p><b>D.</b> Revise el control de la superficie de calefacción. Reemplace según sea necesario.</p> <p><b>E.</b> Revise la fuente de alimentación eléctrica. Reemplace según sea necesario.</p> <p><b>F.</b> Revise la interface del usuario. Reemplace según sea necesario.</p>
2. La bañera está encendida, pero el calor es muy bajo o no calienta.	<p><b>A.</b> El cable del calentador está suelto o dañado.</p> <p><b>B.</b> El calentador/aislamiento está flojo en la bañera.</p> <p><b>C.</b> El indicador de calor está en calor bajo.</p> <p><b>D.</b> El calentador no funciona.</p> <p><b>E.</b> El sensor de temperatura no funciona.</p>	<p><b>A.</b> Revise los cables entre la interface del usuario, el control de la superficie de calefacción y el amplificador de control. Apriete las conexiones o reemplace los cables según sea necesario.</p> <p><b>B.</b> Fije el calentador/aislamiento a la bañera.</p> <p><b>C.</b> Oprima el icono más [+] para aumentar la temperatura.</p> <p><b>D.</b> Reemplace el calentador.</p> <p><b>E.</b> Reemplace el calentador.</p>







USA/Canada: 1-800-4KOHLER

México: 001-800-456-4537

[kohler.com](http://kohler.com)

THE BOLD LOOK  
OF **KOHLER**®

©2013 Kohler Co.

1212244-2-B