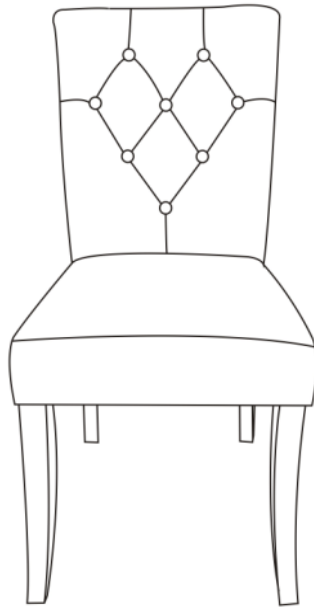


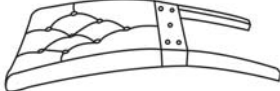
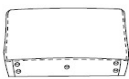


Assembly Instructions

Warnings: You must read this before you proceed.






Dining Chair



Parts List

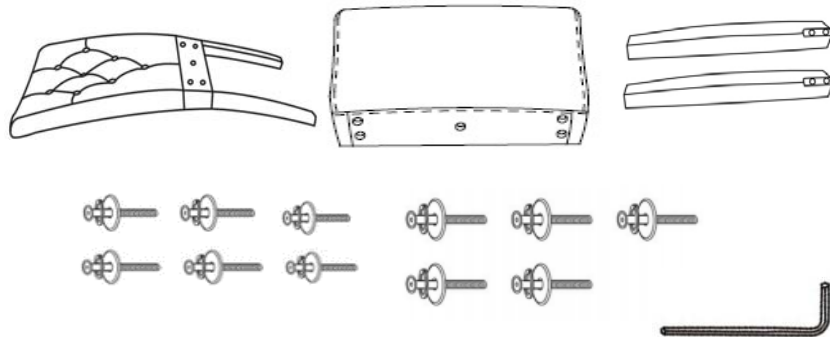
Label	Picture	Description	QTY
A	 A line drawing of the chair backrest, showing the tufting pattern and the attachment points for the seat and legs.	Chair Back	1
B	 A line drawing of the chair seat, showing its rectangular shape and attachment points.	Chair Seat	1
C	 A line drawing of a single front leg, showing its curved shape and attachment points.	Front Leg	2
D	 A line drawing of a diamond-shaped seat base cover, showing its shape and attachment points.	Seat Base Cover	1

Hardware

Label	Picture	Description	QTY
a		Bolt M8X75	5
b		Bolt M8X55	6
c		Spring Washer	10
d		Flat Washer	10
e		Allen Key	1

Assembly Preparation

Before Beginning Assembly:



- Read instructions, cover to cover-



- Have 2 adults on hand for assembly-



- Do not assemble on flooring or carpet-

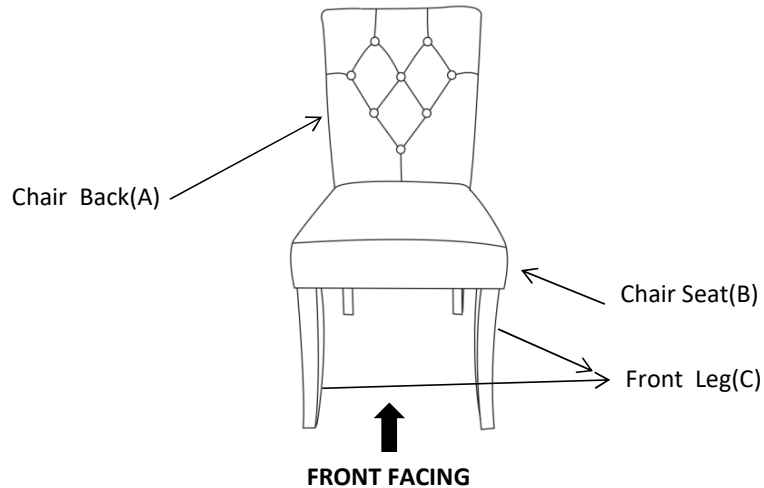


- Assemble on a clean non-marring surface (packing foam)-



- Save all packaging until finished-

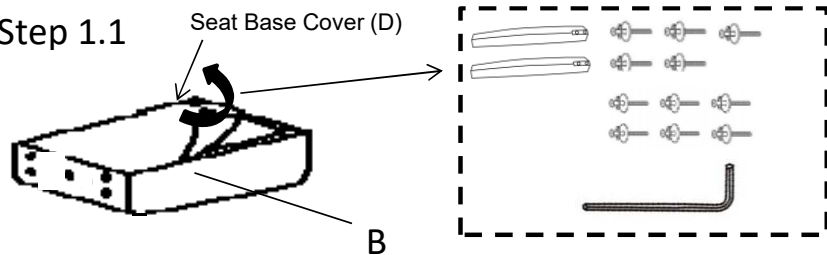
Assembly Steps



This Dining Chair has multiple parts and may require up to 30 minutes to assemble. To give you an overview of the Dining Chair parts, the above picture is to help you put the various parts into perspective. Please read through the instructions below to familiarise yourself with the parts and steps before assembly.

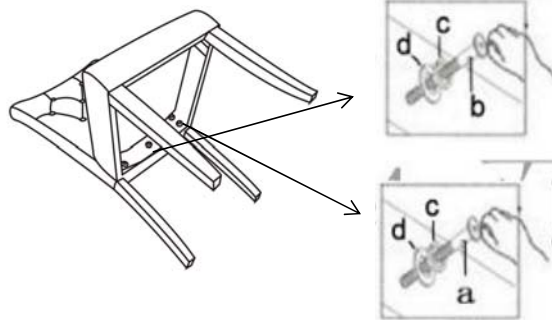
Step 1

Step 1.1



Place the Chair Seat(B) Face down on a soft surface to avoid any scratches or damages to the product.
Carefully peel away the Seat Base Cover from the edge, take out the legs and hardware from the Bottom of the Chair Seat (B).

Step 1.2



Put the Chair Back(A) onto a flat table or panel.
Align the positioning dowels on the Chair Seat with the mounting position located on the Chair Back-panel and Chair-Seat panel.
Use your left hand to push the seat frame floorwards, depicted by Arrow 1.

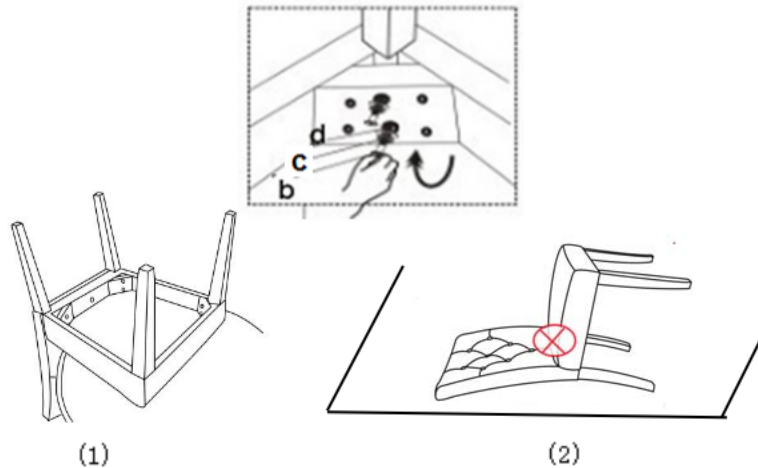
This action helps to ensure the Chair Seat(B) is pressed towards to the Chair Back(A) with no gap between these.
Then, lock the middle mounting position first and the corner mounting position later.

The hardware for these are : use 4 Bolts (a)+ 1 Bolt (b)+5 Spring Washers (c) + 5 Flat Washers (d) with the Allen key(e).
At this point of assembly, DO NOT overfasten the connections.

WARNING!! Bolts(a) longer than Bolts(b), Two sides position using the Bolts(a), the middle position using Bolts (b)

At this stage, Do not fully tighten Bolts..

Step 2



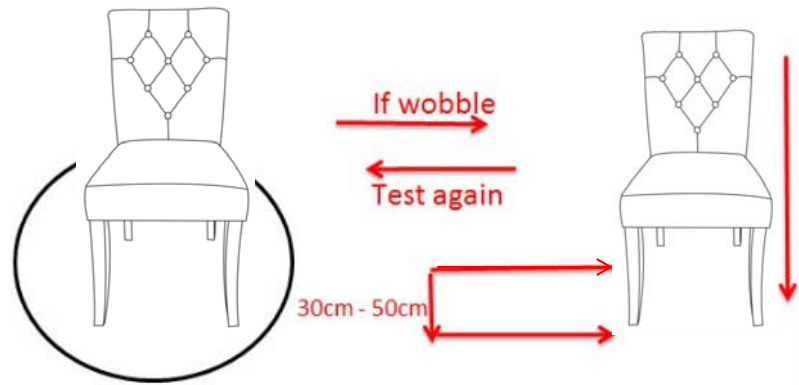
Next, place the chair onto the side of a table as seen in Picture 1. You will now have the chair bottom and all 4-legs facing skywards. Insert each front leg completely vertically into each seat frame corner. **PRESS FIRMLY DOWN** with your hand until there is no gap.

WARNING!! DO NOT POSITION THE FRONT LEG AS SHOWN IN PICTURE 2 . THIS PICTURE SHOWS THE CHAIR BACK STAYS AGAINST THE GROUND and THE FRONT LEGS HORIZONTAL IN MIDAIR.

Now tighten the bottom bolt first, then the bolt on the top by using 4 Bolts (b) and 4 Spring Washers (c) and 4 Flat Washers (d). **DO NOT** tighten the top bolt first.

WARNING!! DO NOT OVER TIGHTEN. OVER TIGHTENING COULD LEAD TO DAMAGE OF THE PRODUCT. TIGHTEN ONLY UNTIL SECURE AND STABLE.

Step 3



Place the chair on a LEVEL SURFACE to see if it wobbles.

If it wobbles, lift the chair to some 30cm to 50cm height from the ground.

Keep your feet and toes well away from the drop zone.

Drop the chair freely and vertically with the four legs, hitting the ground, at the same time.

This Drop Test will help to ensure that all the bolts and gaps to all reach full alignment status.

Test again for evenness on a LEVEL SURFACE.

If no wobbles found, proceed to tighten all the bolts.

CAUTION : When tightening these bolts, tighten sequentially.

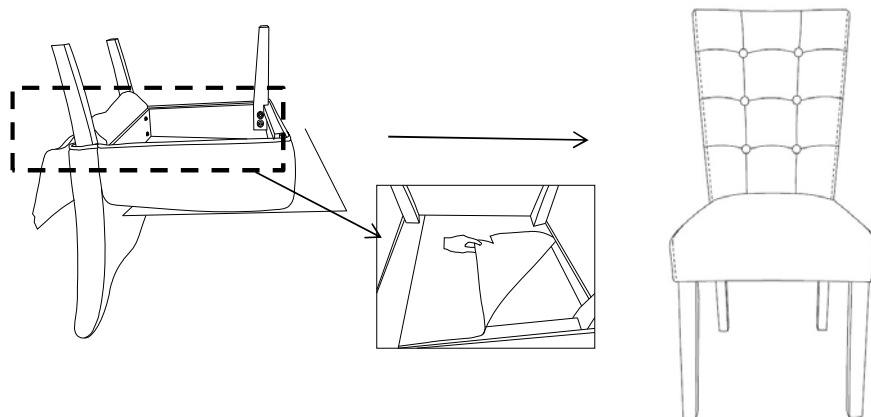
DO NOT tighten any screw fully and then towards the next one.

This would cause the frame to warp.

If there is still wobbles, loosen the bolts and execute this same drop tests.

WARNING!! IF CHAIR IS NOT STABLE , IT COULD LEAD TO DAMAGING THE PRODUCT.

Step 4



Place the Seat Base Cover back as shown in picture.

Smooth the Magic Tape down with your hand on all four sides at the edge of the seat.





















Make sure all parts are connected and securely locked into position.

Then stand the Dining Chair up.

Your Dining Chair is ready for use.

This Dining Chair can only be used on a flat, level surface.

Care & Maintenance

-   ● Do not put hot items directly on furniture surface
 -   ● Do not clean furniture with harsh cleansers or polish.
 -   ● Do not place furniture under direct sunlight.
 -   ● Do not place furniture near heating or cooling vents.
 -   ● Do not write on furniture without a padded barrier to protect the surface.
 -   ● Do not place furniture outside . For indoor use only .
 -   ● Not for commercial use. For residential use only .
 -   ● Stains may be removed with mild soap solution and damp cloth.
 -   ● Children should not climb or jump on the furniture.
-
-   ● Dust and pick-up spills using a clean, non-colored, lint-free cloth .