

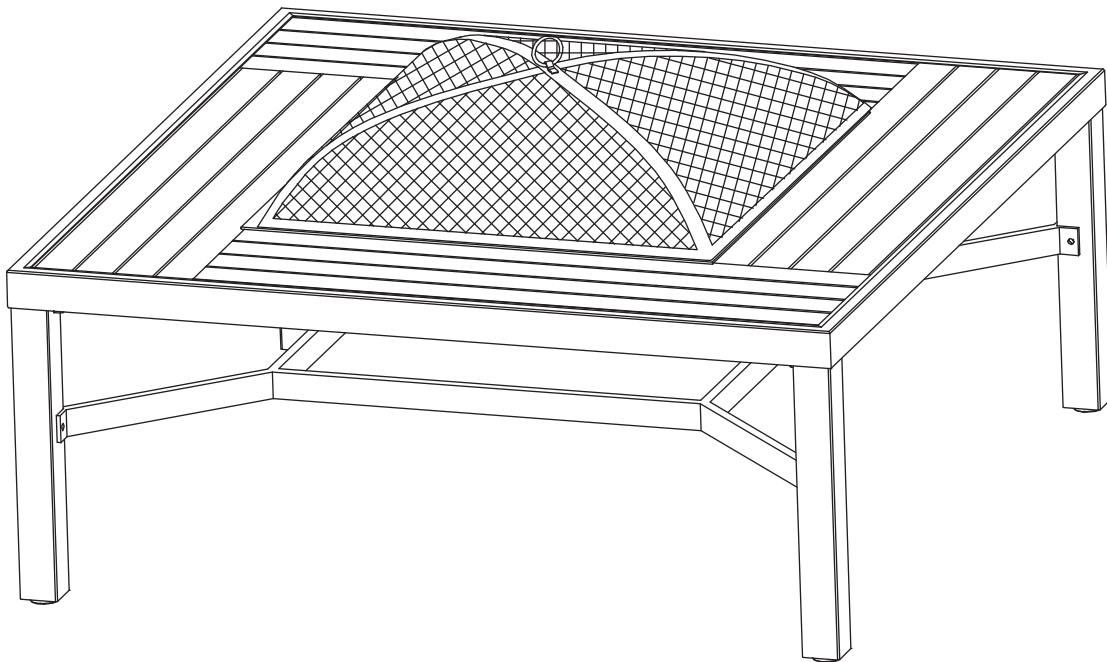


Item # 1002 556 240  
Model # FTA79103N

## USE AND CARE GUIDE

---

### SQUARE FIRE PIT



Questions, problems, missing parts? Before returning to the store,  
call Hampton Bay Customer Service.  
8 a.m. - 7 p.m., EST, Monday - Friday, 9 a.m. - 6 p.m., EST, Saturday

**1-855-HD-HAMPTON**

**HAMPTONBAY.COM**

---

#### **THANK YOU**

*We appreciate the trust and confidence you have placed in Hampton Bay through the purchase of this fire pit. We strive to continually create quality products designed to enhance your home. Visit us online to see our full line of products available for your home improvement needs. Thank you for choosing Hampton Bay!*

# Table of Contents









Table of Contents.....	2	Pre-Assembly .....	3
Safety Information .....	2	Planning Assembly .....	3
Product Caution .....	2	Hardware Included .....	3
Safety Warnings .....	2	Package Contents .....	4
Warranty .....	2	Assembly .....	5
What is Covered .....	2	Care and Cleaning .....	7
What is Not Covered .....	2		

# Safety Information

## PRODUCT CAUTION

This fire pit was made for the explicit purpose of providing outdoor functions and is not to be used as a toy. This product is intended for normal outdoor use; however, the manufacturer recommends storing and / or covering this fire pit when any formidable / severe weather is approaching. Do not locate this product near open flames. Do not use this product as a support. Do not shake, lean or climb on the product. Children under the age of 10, near the product, should be supervised by a competent adult at all times. This product is NOT intended for commercial use and will void the warranty.

## SAFETY WARNINGS

- |  |  |
|--|--|
|  <b>WARNING:</b> Do not allow children to use or play near this outdoor fire pit.  |  <b>CAUTION:</b> Outdoor fire pits are only to be used in well ventilated areas a minimum of 20 ft. from building walls, overhangs, trees, etc. to prevent fires and melting of materials. |
|  <b>WARNING:</b> Keep children, pets, loose clothing and hair safely away from outdoor fire pits. Failure to adhere to this could lead to severe personal injury or possible death. |  <b>CAUTION:</b> To avoid fire hazards never leave a burning outdoor fire pit unattended.   |
|  <b>WARNING:</b> Place the outdoor fire pit on firm, level ground free of debris. This furniture is for outdoor use only.   |  <b>CAUTION:</b> Never use gasoline, kerosene, alcohol or other flammable fuel in or around the outdoor fire pit.   |
|  <b>WARNING:</b> All parts of the fire pit are hot during and after use. NEVER TOUCH WITH BARE HANDS! Use the poker to remove the mesh cover if needed.                             |  <b>CAUTION:</b> Do not use during windy conditions or on wooden or composite decks.  |

# Warranty

## 2 YEAR FRAME WARRANTY

### WHAT IS COVERED

We warrant the frame to be free of manufacturing defects to the original purchaser for two years.

### WHAT IS NOT COVERED

It remains the customer's responsibility for freight and packaging charges to and from our service center. This warranty does not cover commercial use, hardware, acts of nature, fire, freezing and abusive use. In addition, purchased parts are not covered under this warranty. We reserve the right to make substitutions with similar merchandise, if the model in question is no longer in production.

Contact the Customer Service Team at 1-855-HD-HAMPTON or visit [www.Hamptonbay.com](http://www.Hamptonbay.com)

# Pre-Assembly

## PLANNING ASSEMBLY

Read all instructions before assembly.

To avoid damaging this product, assemble it on a soft, non-abrasive surface such as carpet or cardboard.



**NOTE:** More than one person may be required to assemble this product.

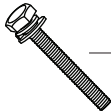
## HARDWARE INCLUDED



**NOTE:** Hardware not shown to actual size.



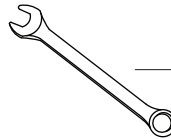
AA



BB



CC



DD

Part	Description	Quantity
AA	M6x15 combination bolt	8+1
BB	M8x50 combination bolt	8+1
CC	Hex wrench	1
DD	Wrench	1

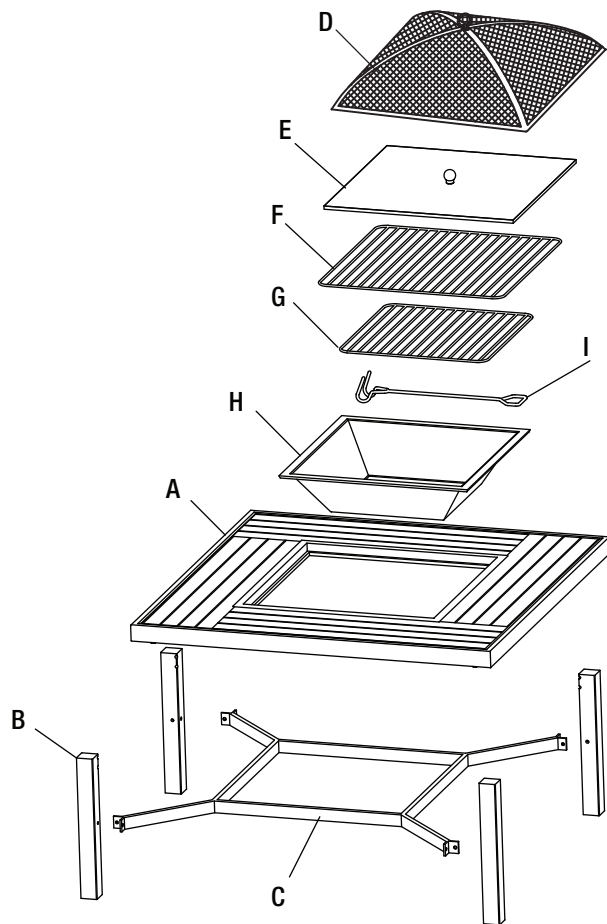


**WARNING:** FUELS USED IN WOOD OR CHARCOAL BURNING APPLIANCES, AND THE PRODUCTS OF COMBUSTION OF SUCH FUELS, CAN EXPOSE YOU TO CHEMICALS INCLUDING CARBON BLACK, WHICH IS KNOWN TO THE STATE OF CALIFORNIA TO CAUSE CANCER, AND CARBON MONOXIDE, WHICH IS KNOWN TO THE STATE OF CALIFORNIA TO CAUSE BIRTH DEFECTS OR OTHER REPRODUCTIVE HARM. For more information go to: [www.P65Warnings.ca.gov](http://www.P65Warnings.ca.gov).

**ADVERTENCIA:** LOS COMBUSTIBLES USADOS EN EQUIPOS PARA QUEMAR MADERA O CARBÓN, ASÍ COMO LOS PRODUCTOS DE TAL COMBUSTIÓN, PUEDEN EXPONERTE A SUSTANCIAS QUÍMICAS, ENTRE ELLAS EL NEGRO DE HUMO Y EL MONÓXIDO DE CARBONO, QUE EL ESTADO DE CALIFORNIA RECONOCE COMO CAUSA, RESPECTIVAMENTE, DE CÁNCER Y DE MALFORMACIONES CONGÉNITAS Y OTROS DAÑOS AL SISTEMA REPRODUCTOR. Para más información, visite [www.P65Warnings.ca.gov](http://www.P65Warnings.ca.gov)

# Pre-Assembly (continued)

## PACKAGE CONTENTS

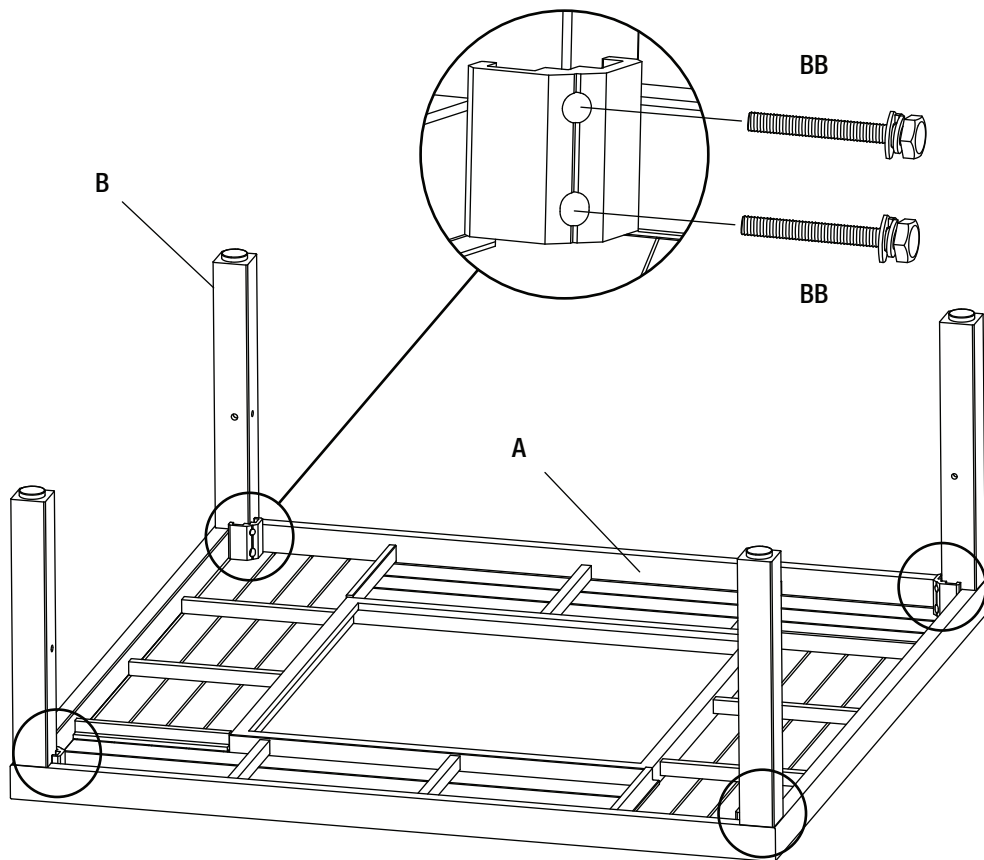


Part	Description	Quantity
A	Table rim	1
B	Table leg	4
C	Leg connector	1
D	Cover	1
E	Lid	1
F	Barbecue grate	1
G	Log grate	1
H	Fire bowl	1
I	Poker	1

# Assembly

## 1 ATTACHING THE TABLE LEGS TO THE TABLE TOP

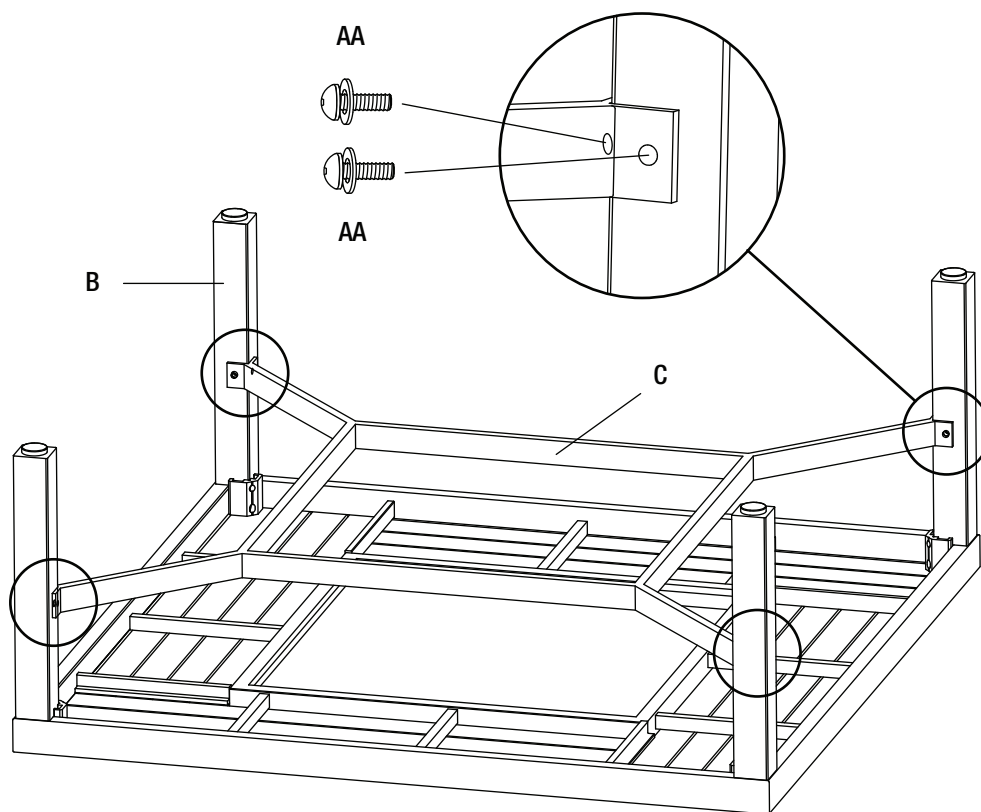
- Place the table top (A) upside down on a soft surface.
- Attach the table legs (B) to the table top (A) using M8x50 combination bolts (BB).
- Do not fully tighten all bolts at this step.



## Assembly (continued)

### 2 ATTACHING THE LEG CONNECTOR TO THE TABLE LEGS

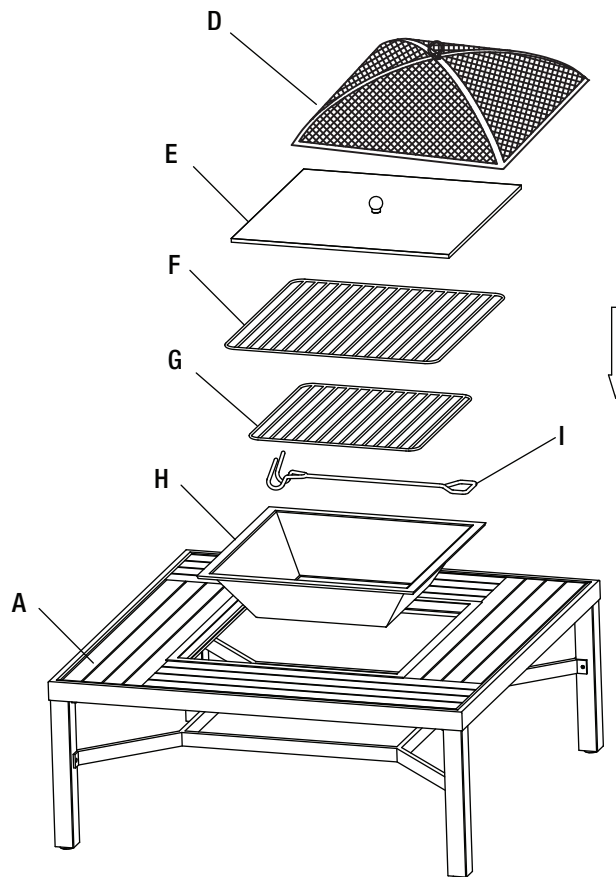
- Attach the leg connector (C) to the table legs (B) using M6x15 combination bolts (AA).
- Do not fully tighten all bolts at this step.



## Assembly (continued)

### 3 TIGHTENING THE BOLTS AND ADDING THE FIRE PITS

- Once all of the bolts are in place, fully tighten the bolts using the hex wrench (CC) and the wrench (DD).
- Turn the table right side up.
- Carefully place the fire bowl (H) in the table rim (A).
- Then place the following in order, from bottom to top: the log grate (G), the barbecue grate (F) and the lid (E) or the cover (D).
- When not in use, store the poker (I) under the log grate (G).



## Care and Cleaning

- For best results, clean the fire pit with a damp cloth and dry thoroughly. This will help prevent mildew by removing dirt particles that may accumulate.
- Do not clean with abrasive materials, bleach, or solvents.
- Store the fire pit in a dry, sheltered place when not in use.
- Keep the fire pit away from freezing conditions, and inclement weather such as rain, hail, sleet, snow, or wind.



Questions, problems, missing parts? Before returning to the store,  
call Hampton Bay Customer Service.  
8 a.m. - 7 p.m., EST, Monday - Friday, 9 a.m. - 6 p.m., EST, Saturday

**1-855-HD-HAMPTON**

**HAMPTONBAY.COM**

Retain this manual for future use.