

IMPORTANT:
Read Before Using

IMPORTANT :
Lire avant usage

IMPORTANTE:
Leer antes de usar

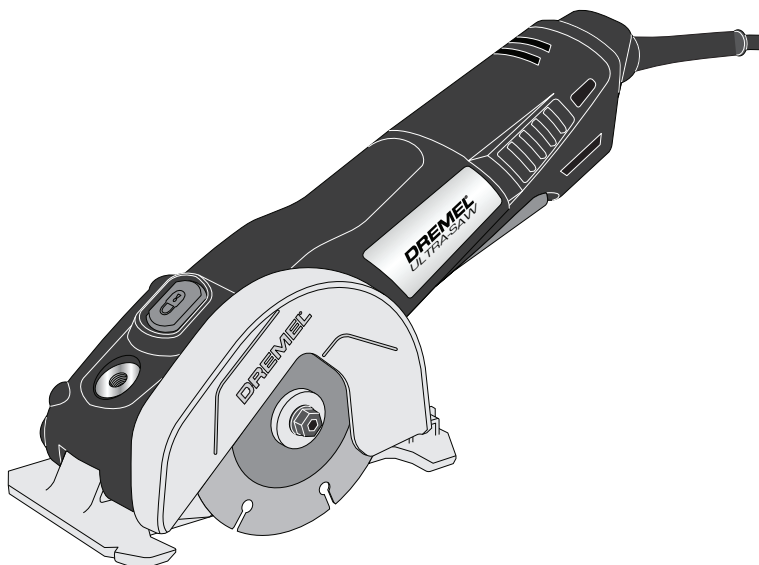


Operating/Safety Instructions

Consignes de fonctionnement/sécurité

Instrucciones de funcionamiento y seguridad

US40



DREMEL®

P.O. Box 081126 Racine, WI 53408-1126

Call Toll Free for
Consumer Information
& Service Locations

Pour obtenir des informations
et les adresses de nos centres
de service après-vente,
appelez ce numéro gratuit

Llame gratis para
obtener información
para el consumidor y
ubicaciones de servicio

1-800-4-DREMEL (1-800-437-3635) www.dremel.com

For English Version
See page 2

Version française
Voir page 22

Versión en español
Ver la página 42

General Power Tool Safety Warnings



WARNING

Read all safety warnings and all instructions. Failure to follow the warnings and instructions may result in electric shock, fire and/or serious injury.

SAVE ALL WARNINGS AND INSTRUCTIONS FOR FUTURE REFERENCE

The term “power tool” in the warnings refers to your mains-operated (corded) power tool or battery-operated (cordless) power tool.

Work area safety

Keep work area clean and well lit. Cluttered or dark areas invite accidents.

Do not operate power tools in explosive atmospheres, such as in the presence of flammable liquids, gases or dust. Power tools create sparks which may ignite the dust or fumes.

Keep children and bystanders away while operating a power tool. Distractions can cause you to lose control.

Electrical safety

Power tool plugs must match the outlet. Never modify the plug in any way. Do not use any adapter plugs with earthed (grounded) power tools. Unmodified plugs and matching outlets will reduce risk of electric shock.

Avoid body contact with earthed or grounded surfaces such as pipes, radiators, ranges and refrigerators. There is an increased risk of electric shock if your body is earthed or grounded.

Do not expose power tools to rain or wet conditions. Water entering a power tool will increase the risk of electric shock.

Do not abuse the cord. Never use the cord for carrying, pulling or unplugging the power tool. Keep cord away from heat, oil, sharp edges or moving parts. Damaged or entangled cords increase the risk of electric shock.

When operating a power tool outdoors, use an extension cord suitable for outdoor use. Use of a cord suitable for outdoor use reduces the risk of electric shock.

If operating a power tool in a damp location is unavoidable, use a Ground Fault Circuit Interrupter (GFCI) protected supply. Use of an GFCI reduces the risk of electric shock.

Personal safety

Stay alert, watch what you are doing and use common sense when operating a

power tool. Do not use a power tool while you are tired or under the influence of drugs, alcohol or medication. A moment of inattention while operating power tools may result in serious personal injury.

Use personal protective equipment. Always wear eye protection. Protective equipment such as dust mask, non-skid safety shoes, hard hat, or hearing protection used for appropriate conditions will reduce personal injuries.

Prevent unintentional starting. Ensure the switch is in the off-position before connecting to power source and / or battery pack, picking up or carrying the tool. Carrying power tools with your finger on the switch or energizing power tools that have the switch on invites accidents.

Remove any adjusting key or wrench before turning the power tool on. A wrench or a key left attached to a rotating part of the power tool may result in personal injury.

Do not overreach. Keep proper footing and balance at all times. This enables better control of the power tool in unexpected situations.

Dress properly. Do not wear loose clothing or jewelry. Keep your hair, clothing and gloves away from moving parts. Loose clothes, jewelry or long hair can be caught in moving parts.

If devices are provided for the connection of dust extraction and collection facilities, ensure these are connected and properly used. Use of dust collection can reduce dust-related hazards.

Power tool use and care

Do not force the power tool. Use the correct power tool for your application. The correct power tool will do the job better and safer at the rate for which it was designed.

Do not use the power tool if the switch does not turn it on and off. Any power tool that cannot be controlled with the switch is dangerous and must be repaired.

Disconnect the plug from the power source and/or the battery pack from the power tool before making any adjustments, changing accessories, or storing power tools. Such preventive safety measures reduce the risk of starting the power tool accidentally.

Store idle power tools out of the reach of children and do not allow persons unfamiliar with the power tool or these instructions to operate the power tool. Power tools are dangerous in the hands of untrained users.

Maintain power tools. Check for misalignment or binding of moving parts, breakage of parts and any other condition that may affect the power tool's operation. If damaged, have the power tool repaired before use. Many accidents are caused by poorly maintained power tools.

Keep cutting tools sharp and clean. Properly maintained cutting tools with sharp cutting edges are less likely to bind and are easier to control.

Use the power tool, accessories and tool bits etc. in accordance with these instructions, taking into account the working conditions and the work to be performed. Use of the power tool for operations different from those intended could result in a hazardous situation.

Service

Have your power tool serviced by a qualified repair person using only identical replacement parts. This will ensure that the safety of the power tool is maintained.

Power Tool-Specific Safety Warnings

Safety Warnings Common for Grinding, Sanding, and Abrasive Cutting-Off Operations:

This power tool is intended to function as a grinder, sander, or cut-off tool. Read all safety warnings, instructions, illustrations and specifications provided with this power tool. Failure to follow all instructions listed below may result in electric shock, fire and/or serious injury.

Operations such as polishing or wire brushing are not recommended to be performed with this power tool. Operations for which the power tool was not designed may create a hazard and cause personal injury.

Do not use accessories which are not specifically designed and recommended by the tool manufacturer. Just because the accessory can be attached to your power tool, it does not assure safe operation.

The rated speed of the accessory must be at least equal to the maximum speed marked on the power tool. Accessories running faster than their RATED SPEED can break and fly apart.

The outside diameter and the thickness of your accessory must be within the capacity rating of your power tool. Incorrectly sized accessories cannot be adequately guarded or controlled.

Threaded mounting of accessories must match the grinder spindle thread. For accessories mounted by flanges, the arbor hole of the accessory must fit the locating diameter of the flange. Accessories that do not match the mounting hardware of the power tool will run out of balance, vibrate excessively and may cause loss of control.

Do not use a damaged accessory. Before each use inspect the accessory such as abrasive wheels for chips and cracks, backing pad for cracks, tear or excess wear, wire brush for loose or cracked wires. If power tool or accessory is dropped, inspect for damage or install an undamaged accessory. After inspecting and installing an accessory, position yourself and bystanders away from the plane of the rotating accessory and run the power tool at maximum no-load speed for one minute. Damaged accessories will normally break apart during this test time.

Wear personal protective equipment. Depending on application, use face shield, safety goggles or safety glasses. As appropriate, wear dust mask, hearing protectors, gloves and workshop apron capable of stopping small abrasive or workpiece fragments. The eye protection must be capable of stopping flying debris generated by various operations. The dust mask or respirator must be capable of filtering particles generated by your operation. Prolonged exposure to high intensity noise may cause hearing loss.

Keep bystanders a safe distance away from work area. Anyone entering the work area must wear personal protective equipment. Fragments of workpiece or of a broken accessory may fly away and cause injury beyond immediate area of operation.

Hold the power tool by insulated gripping surfaces only, when performing an operation where the cutting accessory may contact hidden wiring or its own cord. Cutting accessory contacting a "live" wire may make exposed metal parts of the power tool "live" and could give the operator an electric shock.

Position the cord clear of the spinning accessory. If you lose control, the cord may be cut or snagged and your hand or arm may be pulled into the spinning accessory.

Never lay the power tool down until the accessory has come to a complete stop. The spinning accessory may grab the surface and pull the power tool out of your control.

Do not run the power tool while carrying it at your side. Accidental contact with the spinning accessory could snag your clothing, pulling the accessory into your body.

Regularly clean the power tool's air vents. The motor's fan will draw the dust inside the housing and excessive accumulation of powdered metal may cause electrical hazards.

Do not operate the power tool near flammable materials. Sparks could ignite these materials.

Do not use accessories that require liquid coolants. Using water or other liquid coolants may result in electrocution or shock.

Kickback and Related Warnings

Kickback is a sudden reaction to a pinched or snagged rotating wheel, backing pad, brush or any other accessory. Pinching or snagging causes rapid stalling of the rotating accessory

which in turn causes the uncontrolled power tool to be forced in the direction opposite of the accessory's rotation at the point of the binding.

For example, if an abrasive wheel is snagged or pinched by the workpiece, the edge of the wheel that is entering into the pinch point can dig into the surface of the material causing the wheel to climb out or kickout. The wheel may either jump toward or away from the operator, depending on direction of the wheel's movement at the point of pinching. Abrasive wheels may also break under these conditions.

Kickback is the result of power tool misuse and/or incorrect operating procedures or conditions and can be avoided by taking proper precautions as given below.

Maintain a firm grip on the power tool and position your body and arm to allow you to resist kickback forces. Always use auxiliary handle, if provided, for maximum control over kickback or torque reaction during start-up. The operator can control torque reactions or kickback forces, if proper precautions are taken.

Never place your hand near the rotating accessory. Accessory may kickback over your hand.

Do not position your body in the area where power tool will move if kickback occurs. Kickback will propel the tool in direction opposite to the wheel's movement at the point of snagging.

Use special care when working corners, sharp edges etc. Avoid bouncing and snagging the accessory. Corners, sharp edges or bouncing have a tendency to snag the rotating accessory and cause loss of control or kickback.

Do not attach a saw chain woodcarving blade or toothed saw blade. Such blades create frequent kickback and loss of control.

Safety Warnings Specific for Grinding and Abrasive Cutting-Off Operations:

Use only wheel types that are recommended for your power tool and the specific guard designed for the selected wheel. Wheels for which the power tool was not designed cannot be adequately guarded and are unsafe.

The grinding surface of centre depressed wheels must be mounted below the plane of the guard lip. An improperly mounted wheel that projects through the plane of the guard lip cannot be adequately protected.

The guard must be securely attached to the power tool and positioned for maximum safety, so the least amount of wheel is exposed towards the operator. The guard helps to protect operator from broken wheel fragments, accidental contact with wheel, and sparks that could ignite clothing.

Wheels must be used only for recommended applications. For example: do not grind with the side of cut-off wheel. Abrasive cut-off wheels are intended for peripheral grinding, side forces applied to these wheels may cause them to shatter.

Always use undamaged wheel flanges that are of correct size and shape for your selected wheel. Proper wheel flanges support the wheel thus reducing the possibility of wheel breakage. Flanges for cut-off wheels may be different from grinding wheel flanges.

Do not use worn down wheels from larger power tools. Wheel intended for larger power tool is not suitable for the higher speed of a smaller tool and may burst.

Additional Safety Warnings Specific for Abrasive Cutting-Off Operations:

Do not “jam” the cut-off wheel or apply excessive pressure. Do not attempt to make an excessive depth of cut. Overstressing the wheel increases the loading and susceptibility to twisting or binding of the wheel in the cut and the possibility of kickback or wheel breakage.

Do not position your body in line with and behind the rotating wheel. When the wheel, at the point of operation, is moving away from your body, the possible kickback may propel the spinning wheel and the power tool directly at you.

When wheel is binding or when interrupting a cut for any reason, switch off the power tool and hold the power tool motionless until the wheel comes to a complete stop. Never attempt to remove the cut-off wheel from the cut while the wheel is in motion otherwise kickback may occur. Investigate and take corrective action to eliminate the cause of wheel binding.

Do not restart the cutting operation in the workpiece. Let the wheel reach full speed and carefully reenter the cut. The wheel may bind, walk up or kickback if the power tool is restarted in the workpiece.

Support panels or any oversized workpiece to minimize the risk of wheel pinching and kickback. Large workpieces tend to sag under their own weight. Supports must be placed under the workpiece near the line of cut and near the edge of the workpiece on both sides of the wheel.

Use extra caution when making a “pocket cut” into existing walls or other blind areas. The protruding wheel may cut gas or water pipes, electrical wiring or objects that can cause kickback.

Safety Warnings Specific for Sanding Operations:

Do not use excessively oversized sanding disc paper. Follow manufacturer’s recommendations, when selecting sanding paper. Larger sanding paper extending beyond the sanding pad presents a laceration hazard and may cause snagging, tearing of the disc or kickback.

Additional Safety Warnings

GFCI and personal protection devices like electrician’s rubber gloves and footwear will further enhance your personal safety.

Do not use AC only rated tools with a DC power supply. While the tool may appear to work, the electrical components of the AC rated tool are likely to fail and create a hazard to the operator.

Keep handles dry, clean and free from oil and grease. Slippery hands cannot safely control the power tool.

Use clamps or another practical way to secure and support the workpiece to a stable platform. Holding the work by hand

or against your body leaves it unstable and may lead to loss of control.

Develop a periodic maintenance schedule for your tool. When cleaning a tool be careful not to disassemble any portion of the tool since internal wires may be misplaced or pinched or safety guard return springs may be improperly mounted. Certain cleaning agents such as gasoline, carbon tetrachloride, ammonia, etc. may damage plastic parts.

Risk of injury to user. The power cord must only be serviced by a Dremel Service Facility.

Use only Dremel recommended accessories. Other accessories may not fit properly and lead to injury.

Do not use standard flat wheels for face grinding. Side forces applied to these wheels may cause them to shatter or burst.

Do not attempt to cut large stock or sheets of metal as this machine is not designed to be a dedicated cut-off machine.

Do not collect dust (wood or metal) in ordinary household vacuum cleaner. Lint and other fibers in household vacuums are easily combustible and may start a fire.

Do not vacuum and collect metal shavings/dust with wood sawdust. Metal shavings/dust becomes very hot during abrasive cutting and will ignite wood dust.

When connecting tool to dust collection and extraction systems, be sure these are connected and used according to tool and vacuum instructions. Proper use of dust collection can reduce dust related hazards.

When using tool with dust collection and extraction systems, empty the dust container before beginning work, frequently during work, after completion of work, and before storing the tool. Be extremely careful of dust disposal, materials in fine particle form may be explosive.

Do not throw dust on an open fire. Fine dust particles may burn explosively.

When performing sanding and surface preparation operations with tool connected to a dust collection and extraction system be aware of the materials creating the dust. Combustion from mixture of varnishes, lacquers, polyurethane, oil or water with dust particles can occur if there is a static discharge, electric spark, or excessive heat causing a fire in the dust collection and extraction system.

Do not use dust extraction for operations that include burning, smoking or smoldering items like hot ashes or sparks. Fire inside the vacuum tank or bag may occur. Dust may smolder and set vacuum on fire long after work is completed.

Do not use dust extraction with explosive dusts, varnish, polyurethane coatings, cleaners, or oil-based paints. Electric motors create sparks which may ignite the dust or fumes.

Do not use dust extraction when working on metal. Swarf from sanding, grinding or cutting metal may be hot and may spark which may melt plastic adaptors, vacuum hoses, and may cause a fire inside the vacuum tank or bag.



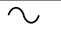
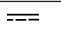
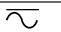
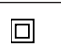






⚠ WARNING Some dust created by power sanding, sawing, grinding, drilling, and other construction activities contains chemicals known to cause cancer, birth defects or other reproductive harm. Some examples of these chemicals are:

- Lead from lead-based paints,
- Crystalline silica from bricks and cement and other masonry products, and
- Arsenic and chromium from chemically-treated lumber.

Your risk from these exposures varies, depending on how often you do this type of work. To reduce your exposure to these chemicals: work in a well ventilated area, and work with approved safety equipment, such as those dust masks that are specially designed to filter out microscopic particles.

Symbols

IMPORTANT: Some of the following symbols may be used on your tool. Please study them and learn their meaning. Proper interpretation of these symbols will allow you to operate the tool better and safer.

Symbol	Name	Designation/Explanation
V	Volts	Voltage (potential)
A	Amperes	Current
Hz	Hertz	Frequency (cycles per second)
W	Watt	Power
kg	Kilograms	Weight
min	Minutes	Time
s	Seconds	Time
∅	Diameter	Size of drill bits, grinding wheels, etc.
n_0	No load speed	Rotational speed, at no load
n	Rated speed	Maximum attainable speed
.../min	Revolutions or reciprocation per minute	Revolutions, strokes, surface speed, orbits etc. per minute
0	Off position	Zero speed, zero torque...
1, 2, 3, ... I, II, III,	Selector settings	Speed, torque or position settings. Higher number means greater speed
	Infinately variable selector with off	Speed is increasing from 0 setting
	Arrow	Action in the direction of arrow
	Alternating current	Type or a characteristic of current
	Direct current	Type or a characteristic of current
	Alternating or direct current	Type or a characteristic of current
	Class II construction	Designates Double Insulated Construction tools.
	Earthing terminal	Grounding terminal
	Warning symbol	Alerts user to warning messages
	Li-ion RBRC seal	Designates Li-ion battery recycling program
	Ni-Cad RBRC seal	Designates Ni-Cad battery recycling program
	Read manual symbol	Alerts user to read manual
	Wear eye protection symbol	Alerts user to wear eye protection

Symbols (continued)

IMPORTANT: Some of the following symbols may be used on your tool. Please study them and learn their meaning. Proper interpretation of these symbols will allow you to operate the tool better and safer.



This symbol designates that this tool is listed by Underwriters Laboratories.



This symbol designates that this component is recognized by Underwriters Laboratories.



This symbol designates that this tool is listed by Underwriters Laboratories, to United States and Canadian Standards.



This symbol designates that this tool is listed by the Canadian Standards Association.



This symbol designates that this tool is listed by the Canadian Standards Association, to United States and Canadian Standards.



This symbol designates that this tool is listed by the Intertek Testing Services, to United States and Canadian Standards.



This symbol designates that this tool complies to NOM Mexican Standards.

Functional Description and Specifications

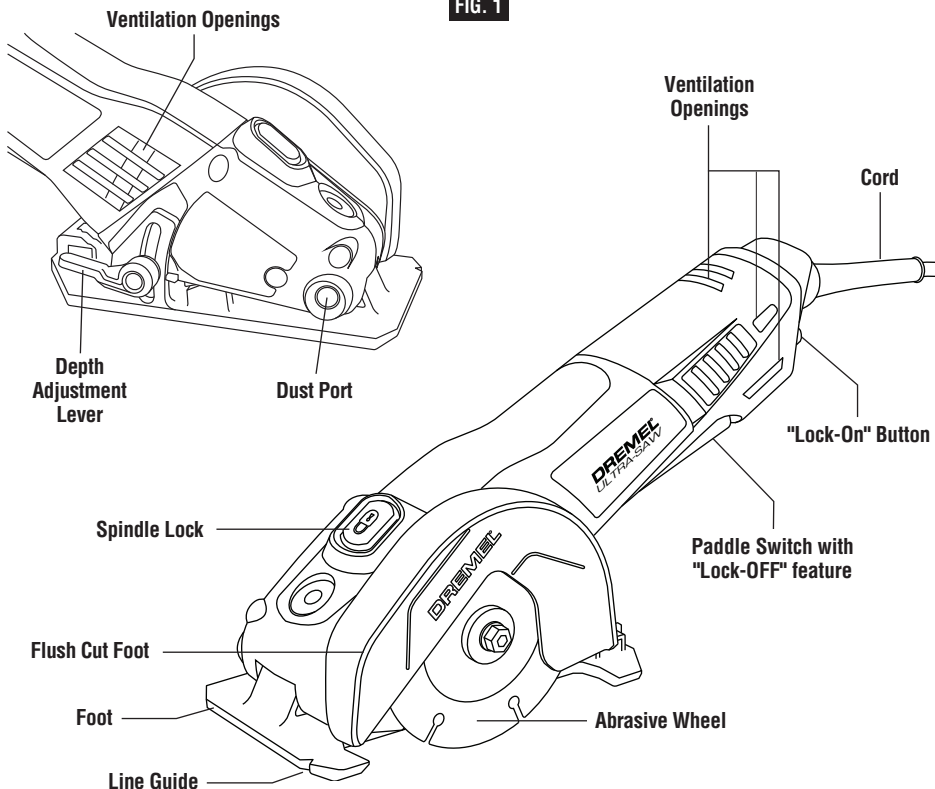
WARNING Disconnect the plug from the power source before making any assembly, adjustments or changing accessories. Such preventive safety measures reduce the risk of starting the tool accidentally.

US40 Dremel® Ultra-Saw

INTENDED USE

This Dremel US40 tool is intended for cuts in wood, plastic, metal, drywall, fiberboard and tile using the applicable Ultra-Saw accessories.

FIG. 1



Model number	US40
* Rated speed	n 13,000/min
* Max. abrasive wheel diameter	4" (102 mm)
Amperage rating	7.5 A
Wheel arbor	.433" (11 mm)
Max. cutting depth	3/4" (21.5 mm)
Voltage rating	120V ~ 60Hz

* Accessory speed rating must be equal to or greater than the tool's speed rating. Do not exceed the recommended wheel diameter.

NOTE: For tool specifications refer to the nameplate on your tool.

Assembly

⚠ WARNING Disconnect the plug from the power source before making any assembly, adjustments or changing accessories. Such preventive safety measures reduce the risk of starting the tool accidentally.

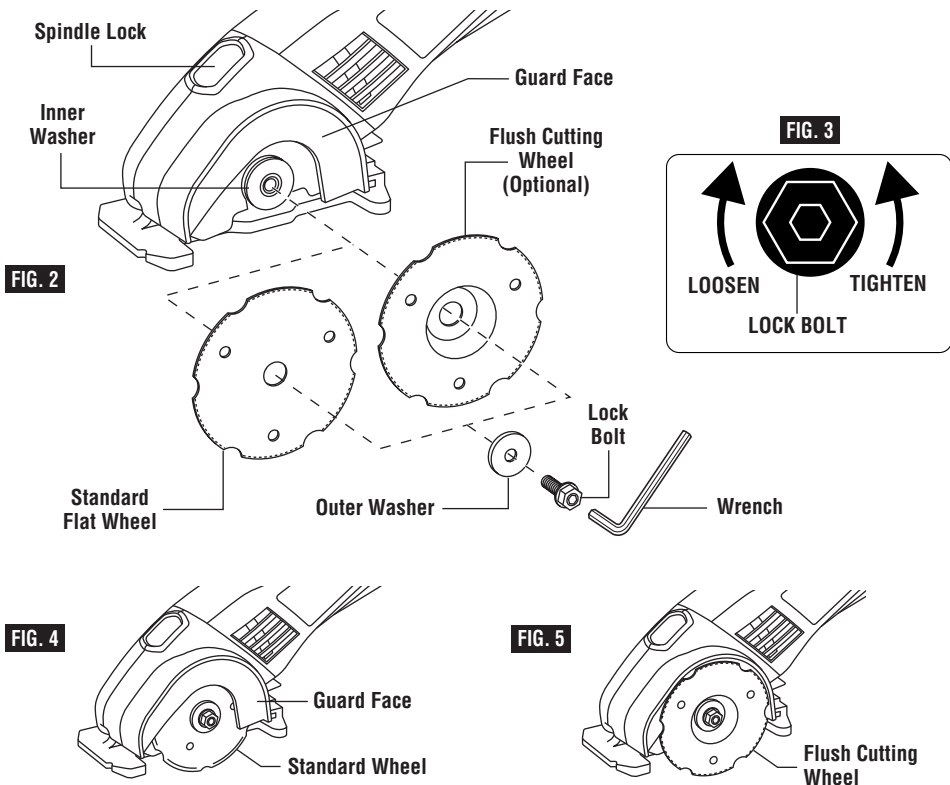
The Lock Bolt which attaches the cutting wheel to the tool should be turned CLOCKWISE to be loosened and COUNTERCLOCKWISE to be tightened (Fig. 3). This bolt is reverse threaded compared to standard threaded fasteners.

The Dremel Ultra-Saw features two cutting wheel positions - one position using a standard flat wheel for all your typical straight and plunge cuts (Fig. 4), and a second optional wheel position for making flush cuts along flooring or against a wall (Fig. 5).

⚠ WARNING Do not attempt to mount two cutting wheels onto the tool at the same time.

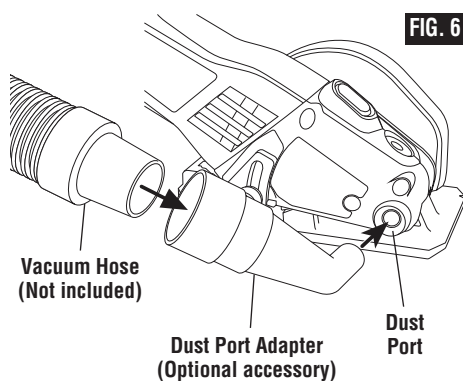
CUTTING WHEEL ASSEMBLY

1. Turn LOCK BOLT with wrench provided clockwise and remove LOCK BOLT and OUTER WASHER (Fig. 2). If the shaft moves while attempting to loosen the lock bolt press the spindle lock (Fig. 2).
2. **Standard Flat Wheel Assembly:** Slide flat wheel behind the guard face and mount it against the INNER WASHER on the shaft (Fig. 4).
- Flush Cutting Wheel Assembly:** Place flush cutting wheel against the INNER WASHER on the spindle shaft. (Fig. 5).
3. Reinstall OUTER WASHER and tighten lock bolt finger tight.
4. Press spindle lock to lock shaft and tighten LOCK BOLT counter-clockwise until tight with the wrench provided.



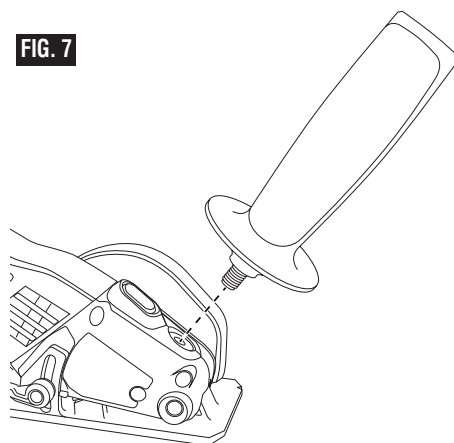
DUST EXTRACTION (Optional accessory)

Your tool is equipped with a dust port for dust extraction. To use this feature, insert dust port adapter into dust port, attach vacuum hose into the adapter, then connect the opposite end of the hose to a shop vacuum cleaner (Fig. 6).



SIDE HANDLE

The side handle is used to control and balance the tool during operations. The handle must be threaded into the front housing (Fig. 7). Alternatively, the body of the tool can be grasped with both hands for control.



Introduction

Thank you for purchasing the Dremel US40.

This tool was designed to tackle a wide variety of projects in and around the home. The Dremel US40 completes tasks quicker and more efficiently than a series of other tools that would be needed to complete a job or project. This tool is also compact, ergonomic, and cuts virtually all common materials.

After using your new Dremel US40 you'll find that it is the right size tool to get projects done at just a fraction of the size of a traditional circular saw. With a full line of accessories the tool cuts through virtually any common material in the home- wood, plastic, metal, drywall and tile. The tool also features two cutting wheel positions, one position using a standard flat

wheel for all your typical straight cuts and a second position for making flush cuts along flooring or against a wall.

In addition to versatility, the Dremel US40 provides excellent line of sight for confident, precise cuts so you will get accurate cuts the first attempt and avoid wasting time or material.

Visit www.dremel.com to learn more about what you can do with your new Dremel tool.

INTENDED USE

This Dremel US40 tool is intended for straight cuts in wood, plastic, metal, drywall, fiberboard, and tile using the applicable accessories recommended by Dremel.

Operating Instructions

⚠ WARNING Hold the tool with both hands while starting the tool, since torque from the motor can cause the tool to twist.

Start the tool before applying to work and let the tool come to full speed before contacting the workpiece. Lift the tool from the work before releasing the switch. **DO NOT** turn the switch "ON" and "OFF" while the tool is under load; this will greatly decrease the switch life.

PADDLE SWITCH WITH "LOCK-OFF" FEATURE

The Paddle switch enables the operator to control the switch functions of "Lock-Off", and "ON/OFF".

TO UNLOCK SWITCH AND TURN TOOL "ON": Push "Lock-OFF" switch release lever forward to unlock paddle switch, then squeeze paddle switch (Fig. 8).

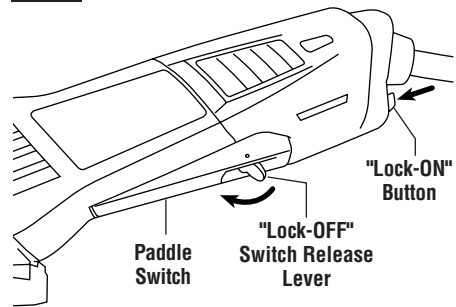
TO SWITCH TOOL "OFF": Release pressure on paddle lever. The switch is spring loaded and will return to "OFF" position automatically (Fig. 8).

"LOCK-ON" BUTTON

The "Lock-ON" feature, incorporated into the paddle switch, is a convenience for long operations.

TO LOCK SWITCH "ON": After paddle switch has been activated push "Lock-ON" button at

FIG. 8



rear of tool completely in and release paddle switch (Fig. 7).

TO SWITCH TOOL "OFF": Squeeze and release paddle switch (Fig. 8).

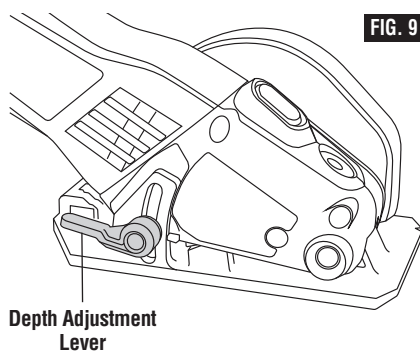
In order to try to avoid recoil (a situation where the wheel wants to skip out of the material) it is recommended to make cuts in the same direction as the rotation of the wheel.

⚠ WARNING It is important to read and understand the section in this manual called "Kickback and Related Warnings"

DEPTH ADJUSTMENT

Disconnect plug from power source. Loosen the depth adjustment lever located on the right side of the tool. The foot is spring loaded and will lower automatically (Fig. 9).

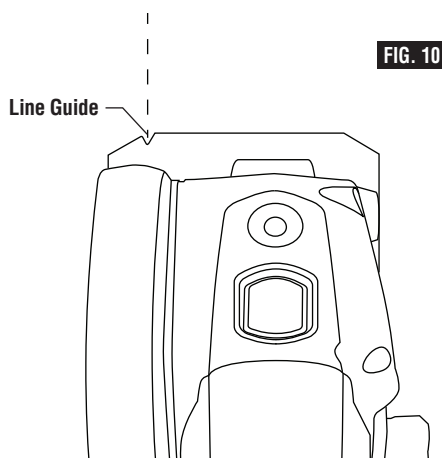
Tighten lever counter clockwise at the depth setting desired. Check desired depth (Fig. 9).



Depth Adjustment
Lever

LINE GUIDE

The cutting guide notch will give an approximate line of cut (Fig. 10). Make sample cuts in scrap lumber to verify actual line of cut.



Line Guide

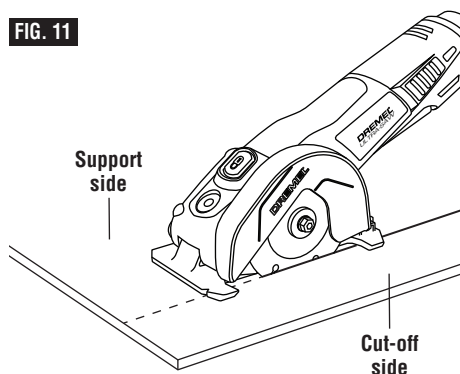
GENERAL CUT OFFS

Maintain a firm grip and operate the switch with a decisive action. Never force the tool. Use a light and continuous pressure (Fig. 11).

WARNING After completing a cut and the switch has been released, be aware of the necessary time it takes for the wheel to come to a complete stop during coast down. Do NOT set the tool down until the accessory has come to a complete stop. A spinning blade contacting a hard surface will cause the tool to walk back and may injure you. Contact with clothing may cause the blade to snag and cut you.

1. Make sure material being cut is secured in a vise or fixture before attempting to cut.
2. Keep your body positioned to either side of the wheel, but not in line with the wheel. It is important to support the tool properly and to position your body such as to minimize body exposure from possible wheel binding and recoil.

FIG. 11



3. Grip the tool firmly while cutting and always be ready and able to manage the cut.
4. Avoid jamming, twisting or pinching the wheel with the workpiece or otherwise applying excessive side pressure to the wheel.

CUTTING TILE

Make sure material being cut is secured in a vise or fixture before attempting to cut.

Turn the tool on and wait for the wheel to reach full speed. For cuts that extend to the edge of a tile, cut all the way through edge(s) along your cut line.

Score the tile first along your cut line, making multiple passes to progressively cut through the tile.

This tool does not use wheels designed for face-grinding. If your cut requires a smooth, finished edge, use an appropriate tile finishing tool to refine the tile edge.

CUTTING METAL

It is possible to perform limited cutting on small stock such as copper pipe, conduit, rebar, threaded rod, coated wire shelving, HVAC, aluminum sheet, gutter, and fascia.

When cutting, work with moderate feed, adapted to the material being cut. Do not exert side pressure onto the cutting wheel, tilt or oscillate the tool.

When cutting profiles and square bar, it is best to start at the smallest cross section. Always follow precautions for kickback.

Do not apply side pressure to cutting wheel to reduce wheel speed. The tool should always be used so that sparks are directed away from user.

After each use, remove the wheel and clean the inside and outside of the guard with compressed air. Preventive maintenance of the guard will reduce the probability of an accident.

PLUNGE OR INTERIOR CUTS

The size and versatility of the Dremel US40 make it an excellent option for making plunge or interior cuts into a workpiece such as flooring, paneling, or siding.

1. Mark the surface to be cut with the desired cut lines
2. Loosen the Depth Adjustment Lever so that the spring loaded foot releases and goes to the zero depth setting. Leave the Depth Adjustment Lever loose during this cut.
3. Rest the Foot of the tool on the workpieces and Align the tool's wheel with the cut line (Fig. 12).
4. While holding the tool firmly, Press the Paddle Switch and allow the tool's wheel to come up to full speed.
5. Slowly plunge/lower the tool and wheel into the workpiece (Fig. 13).
6. Guide the tool forward and complete the cut
7. Release the Paddle Switch and allow the tool to come to a complete stop.
8. Remove the tool from the workpiece.
9. Repeat steps 3-8 as required to complete your cuts.

FIG. 12

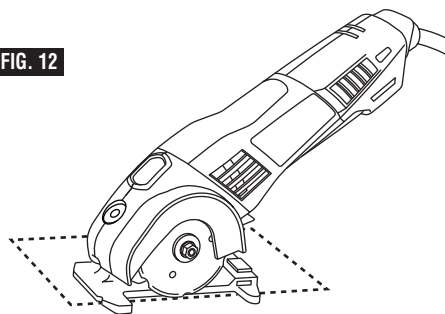
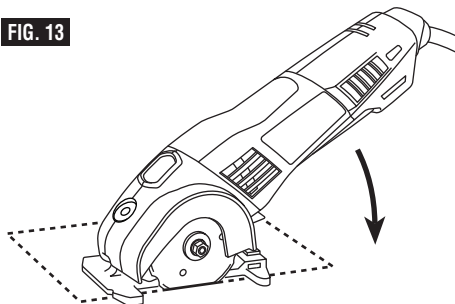


FIG. 13

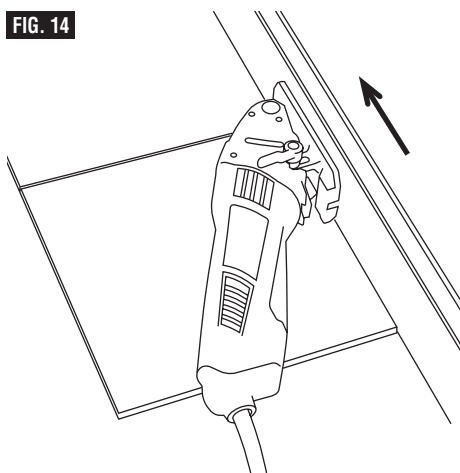


FLUSH CUTTING

First, consider the desired height of the flush cut. For flooring installation, add up the thickness of your flooring adhesive, the flooring itself, and any underlayments or other material that will add to the thickness of the finished floor (Fig. 14).

1. Install the flush cutting wheel on the tool as described in "Flush Cutting Wheel Assembly", page 10.
2. Adjust the depth of the wheel to the desired depth setting.
3. Turn the tool on it's side so that the flush cut foot rests against the flooring.
4. Firmly grip the tool. Turn tool on and allow it to come to full speed before entering workpiece.
5. Complete your cut and remove the tool from the workpiece before turning the tool off.

FIG. 14



CUTTING LARGE SHEETS

When making cuts longer than 2 feet in material such as plywood, tool may become hot as well as burn the material. To avoid this, let the tool rest in between cutting.

Large sheets and long boards sag or bend, depending on support. If you attempt to cut without leveling and properly supporting the piece, the wheel will tend to bind, causing KICK-BACK and extra load on the motor (Fig. 15).

Support the panel or board close to the cut, as

shown in (Fig. 16). Be sure to set the depth of the cut so that you cut through the sheet or board only and not the table or work bench. The two-by-fours used to raise and support the work should be positioned so that the broadest sides support the work and rest on the table or bench. Do not support the work with the narrow sides as this is an unsteady arrangement. If the sheet or board to be cut is too large for a table or work bench, use the supporting two-by-fours on the floor and secure.

FIG. 15

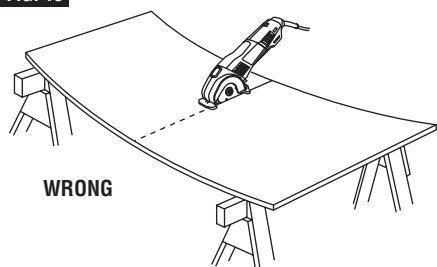
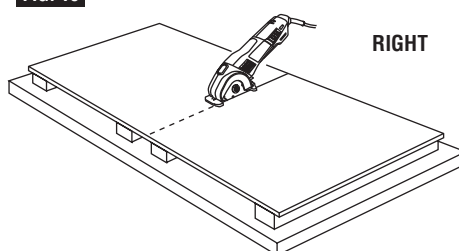


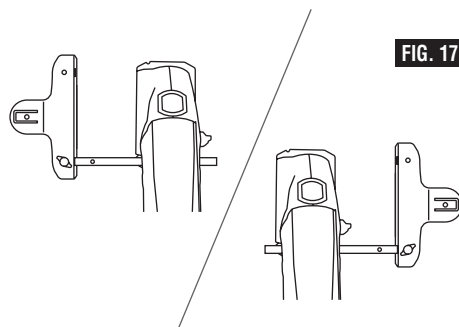
FIG. 16



EDGE GUIDE (Optional attachment)

The straight edge guide is used for cuts parallel to the edge of the work, and can be used from either side of the foot plate for cutting on the left or right side of the material.

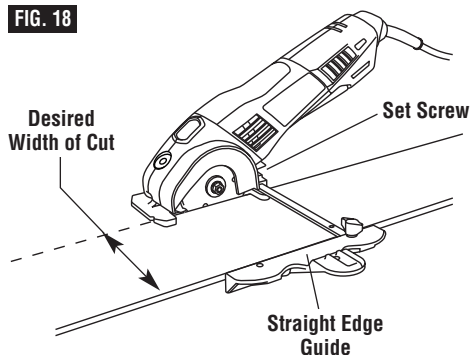
NOTE: When using the straight edge guide on the left side or right side of the tool, position guide as shown (Fig. 17).



RIP CUTS (Optional attachment)

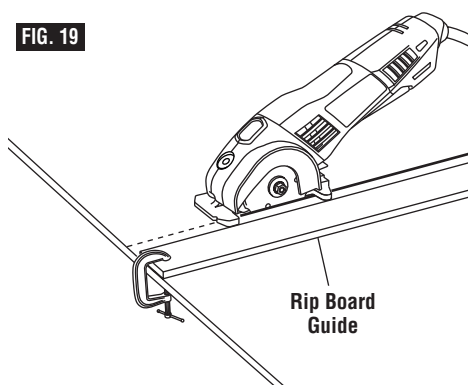
Rip cuts are easy to do with a straight edge guide (Fig. 18). Straight edge guide is available as an accessory. To attach, insert straight edge guide, insert fence through slots in foot to desired width as shown and secure with the set screw.

FIG. 18



RIP BOARD GUIDE

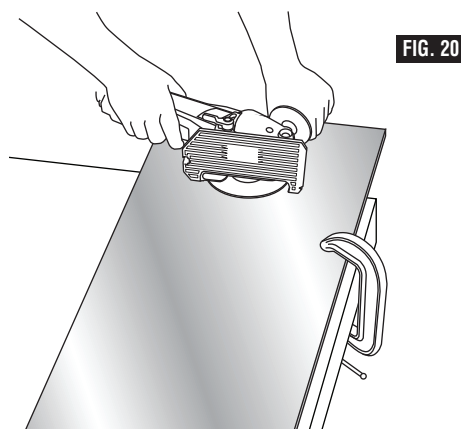
When rip cutting large sheets, the straight edge guide may not allow the desired width of cut. Clamp or nail a straight piece of 1" (25 mm) lumber to the sheet as a guide (Fig. 19). Use the left side of the foot against the board guide.



SURFACE PREPARATION (for use with blades such as US400 & US410)

Make sure material being prepped is secured in a vise or fixture before attempting to surface.

1. Allow the tool to reach full speed before touching the tool; to the work surface.
2. Apply minimum pressure to the work surface, allowing the tool to operate at high speed. Surface finishing rate is greatest when the tool operates at high speed.
3. Continuously move the tool in a forward and back motion to avoid creating gouges in the work surface.
4. Remove the tool from work surface before turning tool off. Allow the tool to stop rotating before laying it down.



Maintenance Information

Service

WARNING **NO USER SERVICEABLE PARTS INSIDE.** Preventive maintenance performed by unauthorized personnel may result in misplacing of internal wires and components which could cause serious hazard. We recommend that all tool service be performed by a Dremel Service Facility.

CARBON BRUSHES

The brushes and commutator in your tool have been engineered for many hours of dependable service. To maintain peak efficiency of the motor, we recommend that the brushes be serviced by a Dremel Service Facility.

Cleaning

WARNING To avoid accidents always disconnect the tool from the power supply before cleaning or performing any maintenance. The tool may be cleaned most effectively with compressed dry air. **Always wear safety goggles when cleaning tools with compressed air.**

Ventilation openings and switch levers must be kept clean and free of foreign matter. Do not attempt to clean by inserting pointed objects through openings.

CAUTION **Certain cleaning agents and solvents damage plastic parts.** Some of these are: gasoline, carbon tetrachloride, chlorinated cleaning solvents, ammonia and household detergents that contain ammonia.

Extension Cords

WARNING If an extension cord is necessary, a cord with adequate size conductors that is capable of carrying the current necessary for your tool must be used. This will prevent excessive voltage drop, loss of power or overheating. Grounded tools must use 3-wire extension cords that have 3-prong plugs and receptacles.

NOTE: The smaller the gauge number, the heavier the cord.

RECOMMENDED SIZES OF EXTENSION CORDS 120 VOLT ALTERNATING CURRENT TOOLS

Tool's Ampere Rating	Cord Size in A.W.G.				Wire Sizes in mm ²			
	Cord Length in Feet				Cord Length in Meters			
	25	50	100	150	15	30	60	120
3-6	18	16	16	14	0.75	0.75	1.5	2.5
6-8	18	16	14	12	0.75	1.0	2.5	4.0
8-10	18	16	14	12	0.75	1.0	2.5	4.0
10-12	16	16	14	12	1.0	2.5	4.0	—
12-16	14	12	—	—	—	—	—	—

Dremel US40 Accessories

WARNING Use only Dremel US40, high-performance accessories. Other accessories are not designed for this tool and may lead to personal injury or property damage.



Metal Surface Prep Blade US400

Non-woven abrasive wheel for heavy rust removal and paint removal from metal.



Concrete Surface Prep Blade US410

Diamond Embedded wheel for thinset removal and paint removal from concrete and brick.



Wood Carbide Wheel US500

Abrasive cutting wheel with carbide grit which is intended to cut wood and other soft materials.



Metal Cut-off Wheel US510

Reinforced Type 1A (ISO 41) Abrasive cut-off wheel which is intended to cut a variety of materials such as metal and plastic.



Masonry Cut-off Wheel US520

Reinforced Type 1A (ISO 41) Abrasive cut-off wheel which is intended to make score cuts in masonry and stone.



Diamond Tile Wheel US540

Diamond Type 1A (ISO 41) abrasive wheel which is intended to make cuts in hard materials such as porcelain and tile, and make score cuts in brick and concrete.



Wood Flush Cut Carbide Wheel US600

Offset Type 27A (ISO 42) abrasive cutting wheel with carbide grit which is intended for flush cutting of wood and other soft materials.

		Cutting				
		US500	US510	US520	US540	US600
		Wood/Plastic Wheel	Metal Cutting Wheel	Masonry Cutting Wheel	Diamond Tile Wheel	Wood/Plastic Flush Cut
Material						
Wood	Plywood	X				X
	Pine	X				X
	Poplar	X				X
	Oak	X				X
	Composite (OSB, fiberboard)	X				X
	Laminate flooring	X				X
Drywall	Drywall	X				X
Metal	Copper Pipe		X			
	Conduit		X			
	Coated Wire Shelving		X			
	HVAC		X			
	Aluminum sheet, gutter, fascia		X			
	Galvanized sheet metal		X			
	Threaded rod		X			
Plastic	Plexiglass (sheet plastic)	X	X			X
	Vinyl siding, gutter	X	X			X
	PVC pipe	X	X			X
Tile	Tile Wall Tile				X	
	Floor Tile				X	
Masonry	Brick Fascia			X	X	
	Cement board			X	X	
	Pavers			X		
Other	Fiberglass	X				X

Surface Prep			
		US400	US410
Application	Material	Metal Surface Prep	Concrete Surface Prep
Rust Removal	Metal	X	
	Metal	X	
Paint Removal	Concrete		X
	Masonry		X
	Brick		X
Thinset Removal	Subflooring		X
	Cement Board		X
Flooring Prep	Cement		X

Trouble Shooting

WARNING

Read instruction manual first! Remove plug from the power source before making adjustments or assembling the wheel.

- | | |
|----------------|--|
| PROBLEM | <p>TROUBLE: TOOL WILL NOT START</p> <ol style="list-style-type: none"> 1. Power cord is not plugged in. 2. Power source fuse or circuit breaker tripped. 3. Cord damaged. 4. Burned out switch. 5. Paddle switch does not turn tool on. |
| REMEDY | <ol style="list-style-type: none"> 1. Plug tool in. 2. Replace fuse or reset tripped circuit breaker. 3. Inspect cord for damage. If damaged, have cord replaced by a Dremel Service Facility. 4. Have switch replaced by a Dremel Service Facility. 5. Lock-Off feature not activated. |
| PROBLEM | <p>TROUBLE: WHEEL DOES NOT COME UP TO SPEED</p> <ol style="list-style-type: none"> 1. Extension cord too light or too long. 2. Low house voltage. |
| REMEDY | <ol style="list-style-type: none"> 1. Replace with adequate cord. 2. Contact your electric company. |
| PROBLEM | <p>TROUBLE: EXCESSIVE VIBRATION</p> <ol style="list-style-type: none"> 1. Wheel out of balance. 2. Workpiece not clamped or supported properly. |
| REMEDY | <ol style="list-style-type: none"> 1. Discard wheel and use different wheel. 2. Clamp or support workpiece as shown on pages 14 and 15. |
| PROBLEM | <p>TROUBLE: CUT BINDS, BURNS, STALLS MOTOR WHEN RIPPING</p> <ol style="list-style-type: none"> 1. Dull wheel. 2. Warped board. 3. Wheel binds. 4. Improper workpiece support. |
| REMEDY | <ol style="list-style-type: none"> 1. Discard wheel and use a different wheel. Or clean debris from carbide grit with a wire brush. 2. Make sure concave or hollow side is facing "DOWN" feed slowly, see (page 14). 3. Assemble wheel and tighten Lock Bolt per "Assembly Instructions", see (page 10). Or only attempt to make straight cuts. 4. Clamp or support workpiece as shown on pages 14 and 15. |
| PROBLEM | <p>TROUBLE: WHEEL MARKS FLOORING WHILE FLUSH CUTTING</p> <ol style="list-style-type: none"> 1. Bent or warped wheel. |
| REMEDY | <ol style="list-style-type: none"> 1. Discard wheel and use different wheel. |

Dremel® Limited Warranty

Your Dremel product is warranted against defective material or workmanship for a period of two years from date of purchase. In the event of a failure of a product to conform to this written warranty, please take the following action:

1. DO NOT return your product to the place of purchase.
2. Carefully package the product by itself, with no other items, and return it, freight prepaid, along with:
 - A. A copy of your dated proof of purchase (please keep a copy for yourself).
 - B. A written statement about the nature of the problem.
 - C. Your name, address and phone number to:

UNITED STATES
Dremel Service Center
4915 21st Street
Racine, WI 53406

OR

CANADA
 Giles Tool Agency
 47 Granger Av.
 Canada M1K 3K9 1-416-287-3000

OUTSIDE CONTINENTAL UNITED STATES CONTINENTAL UNITED STATES

See your local distributor or write to Dremel, 4915 21st Street Racine, WI 53406

We recommend that the package be insured against loss or in transit damage for which we cannot be responsible.

This warranty applies only to the original registered purchaser. DAMAGE TO THE PRODUCT RESULTING FROM TAMPERING, ACCIDENT, ABUSE, NEGLIGENCE, UNAUTHORIZED REPAIRS OR ALTERATIONS, UNAPPROVED ATTACHMENTS OR OTHER CAUSES UNRELATED TO PROBLEMS WITH MATERIAL OR WORKMANSHIP ARE NOT COVERED BY THIS WARRANTY.

No employee, agent, dealer or other person is authorized to give any warranties on behalf of Dremel. If Dremel inspection shows that the problem was caused by problems with material or workmanship within the limitations of the warranty, Dremel will repair or replace the product free of charge and return product prepaid. Repairs made necessary by normal wear or abuse, or repair for product outside the warranty period, if they can be made, will be charged at regular factory prices.

DREMEL MAKES NO OTHER WARRANTY OF ANY KIND WHATEVER, EXPRESSED OR IMPLIED, AND ALL IMPLIED WARRANTIES OF MERCHANTABILITY AND FITNESS FOR A PARTICULAR PURPOSE WHICH EXCEED THE ABOVE MENTIONED OBLIGATION ARE HEREBY DISCLAIMED BY DREMEL AND EXCLUDED FROM THIS LIMITED WARRANTY.

This warranty gives you specific legal rights and you may also have other rights which vary from state to state. The obligation of the warrantor is solely to repair or replace the product. The warrantor is not liable for any incidental or consequential damages due to any such alleged defect. Some states do not allow the exclusion or limitation of incidental or consequential damages, so the above limitations or exclusion may not apply to you.

For prices and warranty fulfillment in the continental United States, contact your local Dremel distributor.

Exportado por: © Robert Bosch Tool Corporation Mt. Prospect, IL 60056 -2230, E.U.A.

Importado a México por: Robert Bosch, S. de R.L. de C.V.
 Calle Robert Bosch No. 405 - 50071 Toluca, Edo. de Méx. - México
 Tel. 052 (722) 279 2300 ext 1160 / Fax. 052 (722) 216-6656

Avertissements généraux concernant la sécurité des outils électroportatifs

AVERTISSEMENT

Veillez lire tous les avertissements et toutes les consignes de sécurité. Si l'on n'observe pas ces avertissements et ces consignes de sécurité, il existe un risque de choc électrique, d'incendie et/ou de blessures corporelles graves.

CONSERVEZ TOUS LES AVERTISSEMENTS ET TOUTES LES CONSIGNES DE SÉCURITÉ POUR RÉFÉRENCE FUTURE.

Dans les avertissements, le terme « outil électroportatif » se rapporte à votre outil branché sur le secteur (avec fil) ou à votre outil alimenté par piles (sans fil).

Sécurité du lieu de travail

Maintenez le lieu de travail propre et bien éclairé. Les risques d'accident sont plus élevés quand on travaille dans un endroit encombré ou sombre.

N'utilisez pas d'outils électroportatifs dans des atmosphères explosives, comme par exemple en présence de gaz, de poussières ou de liquides inflammables. Les outils électroportatifs produisent des étincelles qui risquent d'enflammer les poussières ou les vapeurs.

Éloignez les enfants et les visiteurs quand vous vous servez d'un outil électroportatif. Vous risquez une perte de contrôle si on vous distrait.

Sécurité électrique

Les fiches des outils électroportatifs doivent correspondre à la prise. Il ne faut absolument jamais modifier la fiche. N'utilisez pas d'adaptateur de prise avec des outils électroportatifs munis d'une fiche de terre. Le risque de choc électrique est moindre si on utilise une fiche non modifiée sur une prise qui lui correspond.

Évitez tout contact du corps avec des surfaces reliées à la terre tels que tuyaux, radiateurs, gazinières ou réfrigérateurs. Le risque de choc électrique augmente si votre corps est relié à la terre.

N'exposez pas les outils électroportatifs à la pluie ou à l'humidité. Si de l'eau pénètre dans un outil électroportatif, le risque de choc électrique augmente.

Ne maltraitez pas le cordon. Ne vous en servez jamais pour transporter l'outil électroportatif, pour le tirer ou pour le débrancher. Éloignez le cordon de la chaleur, des huiles, des arêtes coupantes ou des pièces mobiles. Les cordons abîmés ou emmêlés augmentent les risques de choc électrique.

Si vous utilisez un outil électroportatif à l'extérieur, employez une rallonge conçue pour l'extérieur. Ces rallonges sont faites pour l'extérieur et réduisent le risque de choc électrique.

S'il est absolument nécessaire d'utiliser l'outil électroportatif dans un endroit humide, utilisez une alimentation protégée par un disjoncteur de fuite de terre (GFCI). L'utilisation d'un disjoncteur GFCI réduit les risques de choc électrique.

Sécurité personnelle

Restez concentré, faites attention à ce que vous faites, et servez-vous de votre bon sens lorsque vous utilisez un outil électroportatif. N'employez pas d'outils électroportatifs quand vous êtes fatigué ou sous l'emprise de drogues, d'alcool ou de médicaments. Quand on utilise des outils électroportatifs, il suffit d'un moment d'inattention pour causer des blessures corporelles graves.

Utilisez des équipements de sécurité personnelle. Portez toujours une protection oculaire. Le port d'équipements de sécurité tels que des masques antipoussières, des chaussures de sécurité antidérapantes, des casques de chantier et des protecteurs d'oreilles dans des conditions appropriées réduira le risque de blessure corporelle.

Évitez les démarrages intempestifs. Assurez-vous que l'interrupteur est dans la position arrêt (Off) avant de brancher l'outil dans une prise de courant et/ou un bloc-piles, de le ramasser ou de le transporter. Le transport d'un outil électroportatif avec le doigt sur la gâchette ou le branchement de cet outil quand l'interrupteur est en position de marche (ON) est une invite aux accidents.

Enlevez toutes les clés de réglage avant de mettre l'outil électroportatif en marche. Si on laisse une clé sur une pièce tournante de l'outil électroportatif, il y a risque de blessure corporelle.

Ne vous penchez pas. Conservez toujours une bonne assise et un bon équilibre. Ceci vous permettra de mieux maîtriser l'outil électroportatif dans des situations inattendues.

Habillez-vous de manière appropriée. Ne portez pas de vêtements amples ou de bijoux. Attachez les cheveux longs. N'approchez pas les cheveux, les vêtements ou les gants des pièces en mouvement. Les vêtements amples, les bijoux ou les cheveux longs risquent d'être happés par les pièces en mouvement.

Si l'outil est muni de dispositifs permettant le raccordement d'un système d'aspiration et de collecte des poussières, assurez-vous que ces dispositifs sont raccordés et utilisés correctement. L'utilisation d'un dépoussiéreur peut réduire les dangers associés à l'accumulation de poussière.

Utilisation et entretien des outils électroportatifs

Ne forcez pas sur l'outil électroportatif. Utilisez l'outil électroportatif qui convient à la tâche à effectuer. L'outil qui convient à la tâche fait un meilleur travail et est plus sûr à la vitesse pour lequel il a été conçu.

Ne vous servez pas de l'outil électroportatif si son interrupteur ne parvient pas à le mettre en marche ou à l'arrêter. Tout outil électroportatif qui ne peut pas être commandé par son interrupteur est dangereux et doit être réparé.

Débranchez la fiche de la prise ou enlevez le bloc-pile de l'outil électroportatif avant tout réglage, changement d'accessoires ou avant de ranger l'outil électroportatif. De telles mesures de sécurité préventive réduisent le risque de démarrage intempestif de l'outil électroportatif.

Rangez les outils électroportatifs dont vous ne vous servez pas hors de portée des enfants et ne permettez pas à des personnes qui ne connaissent pas l'outil électroportatif ou qui ignorent ces consignes de s'en servir. Les outils électroportatifs sont dangereux dans les mains d'utilisateurs inexpérimentés.

Entretenez les outils électroportatifs. Vérifiez que les pièces mobiles sont alignées correctement et ne coincent pas. Vérifiez qu'il n'y a pas de pièces cassées ou d'autre circonstance qui risquent d'affecter le fonctionnement de l'outil électroportatif. Si l'outil est abîmé, faites-le réparer avant de l'utiliser. De nombreux accidents sont causés par des outils électroportatifs mal entretenus.

Maintenez les outils coupants affûtés et propres. Les outils coupants entretenus correctement et dotés de bords tranchants affûtés sont moins susceptibles de coincer et sont plus faciles à maîtriser.

Utilisez l'outil électroportatif, les accessoires et les embouts d'outil, etc. conformément à ces instructions, en tenant compte des conditions de travail et des travaux à réaliser. L'emploi d'outils électroportatifs pour des tâches différentes de celles pour lesquelles ils ont été prévus peut résulter en une situation dangereuse.

Entretien

Faites réparer votre outil électroportatif par un agent de service qualifié n'utilisant que des pièces de rechange identiques. Ceci assure que la sécurité de l'outil électroportatif est préservée.

Avertissements spécifiques à la sécurité des outils électroportatifs

Avertissements habituels concernant la sécurité des opérations de rectification, de ponçage et de tronçonnage à la meule abrasive :

Cet outil électroportatif a été conçu pour fonctionner comme un outil de tronçonnage. Veuillez lire toute la documentation relative à la sécurité qui a été fournie avec cet outil électroportatif, notamment, les avertissements, les consignes, les illustrations et les spécifications. Si l'on n'observe pas toutes les consignes indiquées ci-dessous, il existe un risque de choc électrique, d'incendie et/ou de blessures corporelles graves.

Il n'est pas recommandé de réaliser des opérations telles que le polissage et débrossage métallique avec cet outil électrique. L'usage de l'outil au cours de travaux pour lesquels il n'a pas été conçu risque de présenter un danger et de causer des blessures corporelles.

N'utilisez pas d'accessoires qui n'ont pas été spécifiquement conçus et recommandés par le fabricant de l'outil. Le simple fait qu'un accessoire puisse être attaché à votre outil électroportatif ne garantit pas un fonctionnement sans danger.

La vitesse nominale de l'accessoire doit être au moins égale à la vitesse maximum indiquée sur l'outil électroportatif. Les accessoires que l'on fait tourner à une vitesse supérieure à leur VITESSE NOMINALE peuvent se casser et voler en éclats.

Le diamètre externe et l'épaisseur de votre accessoire doivent être dans les limites de capacité de votre outil électroportatif. Des accessoires de la mauvaise taille ne peuvent pas être adéquatement protégés ou contrôlés.

Le montage d'accessoires avec fixation filetée doit correspondre au filet de la broche de la meule. Pour les accessoires montés au moyen de brides de fixation, le trou pour l'arbre de l'accessoire doit correspondre au diamètre de localisation de la bride. Les accessoires qui ne correspondent pas au matériel de fixation pour le montage de l'outil électroportatif seront déséquilibrés, vibreront excessivement et pourraient causer une perte de contrôle.

N'utilisez pas d'accessoires endommagés. Inspectez vos accessoires avant chaque utilisation : vérifiez par exemple que votre meule abrasive n'est ni fêlée, ni ébréchée, que votre disque d'appui n'est ni fêlé, ni déchiré, ni trop usé et que votre brosse métallique ne contient pas de fils cassés ou détachés. Si vous laissez tomber l'outil ou l'accessoire, vérifiez que ce dernier n'est pas endommagé ou remplacez-le par un accessoire en bon état. Après l'inspection et l'installation d'un accessoire, tenez-vous à distance du plan de l'accessoire en mouvement et demandez à toute personne présente de faire de même, et faites fonctionner l'outil à sa vitesse à vide maximale pendant une minute. Si un accessoire est endommagé, il se cassera habituellement en plusieurs morceaux pendant cette période de test.

Portez des équipements de protection personnelle. Suivant le travail effectué, portez un masque de protection, des lunettes à coques ou des lunettes de sécurité. S'il y a lieu, portez un masque antipoussières, des dispositifs de protection de l'ouïe, des gants et un tablier d'atelier capable d'arrêter des petits fragments abrasifs ou des fragments de la pièce. Les dispositifs de protection des yeux doivent pouvoir arrêter des débris volants produits par diverses opérations. Le masque antipoussières ou le respirateur doit être capable de filtrer des particules générées par votre travail. Une exposition prolongée à un bruit de haute intensité peut entraîner une perte de l'ouïe.

Gardez toute personne présente à une distance sûre de l'aire de travail. Toute personne qui entre dans l'aire de travail doit porter des équipements de protection personnelle. Des fragments d'une pièce ou d'un accessoire peuvent être projetés et causer des blessures au-delà de l'aire d'opération immédiate.

Tenez seulement l'outil électroportatif par ses surfaces de préhension isolées lorsque vous effectuez une opération lors de laquelle l'accessoire de coupe peut entrer en contact avec des câbles cachés ou son propre cordon d'alimentation. L'entrée en contact d'un accessoire de coupe avec un fil sous tension pourrait rendre conductrices des parties en métal exposées de l'outil électroportatif et causer un choc électrique à l'opérateur.

Positionnez le cordon hors de la trajectoire de l'accessoire en mouvement. Si vous perdez contrôle de l'outil, le cordon d'alimentation risque d'être coupé ou de s'accrocher et votre main ou votre bras risque d'être tiré jusqu'à ce qu'il entre en contact avec l'accessoire en mouvement.

Ne posez jamais l'outil électroportatif tant que l'accessoire n'a pas complètement cessé de tourner. L'accessoire en mouvement risque d'accrocher la surface sur laquelle il est posé et de vous faire perdre contrôle de l'outil.

Ne laissez pas l'outil électroportatif en marche quand vous le portez sur le côté. Un contact accidentel avec l'accessoire en mouvement risquerait d'accrocher vos vêtements et d'attirer l'accessoire vers votre corps.

Nettoyez régulièrement les prises d'air de l'outil électroportatif. Le ventilateur du moteur attirera de la poussière à l'intérieur du boîtier de l'outil et une accumulation excessive de poudre métallique risque de causer des dangers électriques.

Ne faites pas fonctionner l'outil électroportatif à proximité de matériaux inflammables. Des étincelles pourraient enflammer ces matériaux.

N'utilisez pas d'accessoires qui exigent des liquides de refroidissement. L'utilisation d'eau ou d'autres liquides de refroidissement peut entraîner une électrocution ou un choc électrique.

Avertissements sur les rebonds et effets associés

L'effet de rebond est une réaction soudaine au pincement ou à l'accrochage d'une meule, d'un disque

d'appui, d'une brosse ou de tout autre accessoire pivotant. Un tel pincement ou accrochage fait rapidement caler l'accessoire en mouvement, ce qui force l'outil électroportatif hors de contrôle à aller dans la direction opposée à celle de la rotation de l'accessoire à l'emplacement du blocage.

Par exemple, si une meule abrasive est accrochée ou pincée par la pièce, le bord de la meule à l'emplacement du pincement peut creuser la surface du matériau et forcer la meule à se « hisser » sur la pièce ou à être éjectée. La meule peut alors sauter soit en direction de l'utilisateur, soit dans la direction opposée, en fonction de la direction du mouvement de la meule à l'emplacement du pincement. Les meules abrasives peuvent également se briser dans de telles conditions.

Les rebonds résultent d'une mauvaise utilisation de l'outil électroportatif et/ou de procédures ou de conditions d'utilisation incorrectes, et ils peuvent être évités en prenant les précautions nécessaires indiquées ci-dessous :

Maintenez une prise ferme sur l'outil électroportatif et positionnez votre bras et le reste de votre corps de façon à vous permettre de résister aux forces de rebond. Utilisez toujours la poignée auxiliaire, quand elle vous a été fournie, pour un contrôle maximum du rebond ou de la réaction de couple qui se produit pendant la mise en marche de l'outil. L'utilisateur peut contrôler les réactions de couple ou les forces de rebond en prenant les précautions nécessaires.

Ne placez jamais votre main à proximité de l'accessoire en mouvement. L'accessoire risquerait de rebondir sur votre main.

Ne vous placez jamais dans la zone où l'outil électroportatif se dirigerait si un rebond se produisait. L'effet de rebond projeterait l'outil dans la direction opposée à celle du mouvement de la meule à l'emplacement de l'accrochage.

Faites particulièrement attention quand vous travaillez des coins ou des arêtes tranchantes, etc. Évitez de faire rebondir ou d'accrocher l'accessoire. Les coins, les arêtes tranchantes et les rebondissements ont tendance à faire accrocher l'accessoire en mouvement et à entraîner une perte de contrôle ou un rebond.

Ne fixez pas une lame à sculpter le bois de chaîne coupante ou une lame de scie dentée sur l'outil. De telles lames causent fréquemment des rebonds et des pertes de contrôle.

Avertissements spécifiques à la sécurité des opérations de rectification et de tronçonnage à la meule :

N'utilisez que des types de meules qui sont recommandées pour votre outil électroportatif et que des protecteurs conçus pour la meule sélectionnée. Les meules pour lesquelles l'outil n'a pas été conçu ne peuvent pas être adéquatement protégées et sont par conséquent dangereuses.

La surface de meulage des meules déprimées au centre doit être montée au-dessous du plan de la lèvre

de protection. Une meule montée de façon incorrecte qui dépasserait à travers le plan de la lèvres de protection ne peut pas être protégée de façon adéquate.

Le dispositif de protection doit être attaché de façon sécurisée à l'outil électroportatif et positionné pour assurer le maximum de sécurité, de telle sorte que la partie la moins grande possible de la meule soit exposée en direction de l'opérateur. Le dispositif de protection contribue à protéger l'opérateur contre les risques de projection d'éclats ou de fragments de meule, de contact accidentel avec la meule et d'étincelles pouvant mettre le feu aux vêtements.

Les meules ne doivent être utilisées que pour des opérations pour lesquelles elles ont été conçues. Par exemple : ne meulez pas avec le côté de la meule à tronçonner. Les meules à tronçonner sont conçues pour une rectification périphérique et l'application de forces latérales à ces meules peuvent les faire éclater.

Utilisez toujours des brides non endommagées d'une taille et d'une forme qui conviennent à la meule sélectionnée. Les brides de meule appropriées soutiennent la meule, réduisant ainsi la possibilité que la meule se casse. Les brides pour meules de tronçonnage peuvent être différentes des brides pour d'autres types de meules.

N'utilisez pas de meules usées provenant d'outils électroportatifs de plus grande taille. Une meule qui a été conçue pour un outil électroportatif de grande taille n'est pas compatible avec un outil plus petit qui tourne à une plus grande vitesse, et elle risque d'éclater si elle est posée sur ce dernier.

Avertissements supplémentaires spécifiques à la sécurité des opérations de tronçonnage à la meule abrasive :

Ne bloquez pas la meule à tronçonner et n'appliquez pas une pression excessive sur celle-ci. Ne tentez pas de réaliser une coupe d'une profondeur excessive. La surcharge de la meule augmente sa susceptibilité à la torsion et au blocage pendant la coupe et la possibilité d'un effet de rebond ou d'une cassure de la meule.

Ne positionnez pas votre corps de façon à ce qu'il soit aligné avec la meule pivotante et derrière celle-ci.

Quand la meule, à l'emplacement de l'opération, se déplace dans la direction opposée à celle de votre corps, le rebond potentiel risque de projeter la meule en mouvement ainsi que l'outil électroportatif directement sur vous.

Quand la meule se coince, ou quand vous interrompez une coupe pour une raison quelconque, mettez l'outil électroportatif à l'arrêt et tenez-le sans bouger jusqu'à ce que la meule s'arrête complètement. N'essayez jamais de retirer la meule de tronçonnage au milieu d'une coupe tant que la meule tourne toujours; cela risquerait de provoquer un effet de rebond. Trouvez la cause du coincage de la meule et prenez les mesures nécessaires pour y remédier.

Ne recommencez pas votre opération de coupe en plaçant l'outil directement dans la pièce. Permettez à la meule d'atteindre sa vitesse optimale avant de la réintroduire prudemment dans la pièce. Si vous remettez l'outil en marche directement dans la pièce, la meule risque de se bloquer, de « grimper » sur la pièce ou de faire un rebond.

Soutenez les panneaux ou toute pièce surdimensionnée afin de réduire le plus possible le risque de pincement ou de rebond de la meule. Les pièces de grande taille ont tendance à fléchir sous leur propre poids. Des supports doivent être placés sous la pièce à proximité de la ligne de coupe et près du bord de la pièce des deux côtés de la meule.

Faites particulièrement attention quand vous exécutez une coupe « en poche » dans des murs déjà en place ou dans d'autres endroits cachés. Il se peut que la meule saillante coupe des tuyaux de gaz, des conduites d'eau, des fils électriques ou des objets qui risquent d'entraîner un rebond.

Avertissements spécifiques à la sécurité des opérations de ponçage :

N'utilisez pas de papier de ponçage surdimensionné. Suivez les recommandations du fabricant quand vous choisissez votre papier de ponçage. Un papier de ponçage trop grand qui dépasse du patin de ponçage représente un danger de lacération et peut entraîner un blocage, une déchirure du disque ou un rebond.

Avertissements supplémentaires concernant la sécurité

L'emploi d'un GFCI et de dispositifs de protection personnelle tels que gants et chaussures d'électricien en caoutchouc améliorent votre sécurité personnelle.

N'utilisez pas un outil conçu uniquement pour le C.A. sur une alimentation en C.C. Même si l'outil semble fonctionner, les composants électriques d'un outil prévu pour le C.A. tomberont probablement en panne et risquent de créer un danger pour l'utilisateur.

Maintenez les poignées sèches et exemptes d'huile et de graisse. On ne peut pas maîtriser un outil

électroportatif en toute sécurité quand on a les mains glissantes.

Utilisez des brides ou d'autres moyens pratiques de brider ou de supporter la pièce sur une plate-forme stable. Tenir la pièce à la main ou contre le corps est instable et risque de résulter en une perte de contrôle.

Créez un agenda d'entretien périodique pour votre outil. Quand vous nettoyez un outil, faites attention de n'en démonter aucune pièce car il est toujours possible de mal remonter ou de pincer les fils internes ou de remonter incorrectement les ressorts

de rappel des capots de protection. Certains agents de nettoyage tels que l'essence, le tétrachlorure de carbone, l'ammoniaque, etc. risquent d'abîmer les plastiques.

L'utilisateur court le risque de blessures. Le cordon d'alimentation ne doit être réparé que par un centre de service-usine Dremel.

Utilisez seulement des accessoires recommandés par Dremel. D'autres accessoires pourraient ne pas tenir correctement et risqueraient de causer des blessures.

N'utilisez pas de meules plates standard pour un travail frontal. Les forces latérales appliquées sur ces meules pourraient les casser ou les faire éclater.

N'essayez pas de couper des feuilles de métal ou des pièces de grande taille avec cette machine, car elle n'a pas été conçue pour servir de machine réservée au tronçonnage.

Ne ramassez pas de poussières (de bois ou de métal) en utilisant des aspirateurs domestiques ordinaires. Les fibres pouvant s'accumuler dans de tels aspirateurs sont très combustibles et pourraient déclencher un incendie.

N'aspirez pas et ne ramassez pas de poussières/rognures de métal conjointement avec de la sciure de bois. Les poussières/rognures de métal deviennent très chaudes pendant une coupe abrasive et pourraient mettre le feu à la sciure de bois.

Lorsque vous connectez un outil à des systèmes de dépoussiérage et d'extraction de la poussière, assurez-vous que ces derniers sont connectés et utilisés conformément aux instructions de l'outil et de l'aspirateur. Une utilisation appropriée d'un système de dépoussiérage peut réduire les dangers associés à la poussière.

Lorsque vous utilisez un outil avec des systèmes de dépoussiérage et d'extraction de la poussière, videz le réservoir à poussière avant de commencer à travailler, fréquemment pendant le travail, après l'achèvement du travail et avant de ranger l'outil. Faites très attention quand vous éliminez ou jetez de la poussière, car certaines substances sous forme de particules fines peuvent être explosives.

Ne jetez pas de poussière sur un feu nu. Des particules de poussières fines pourraient brûler et causer des explosions.

Lorsque vous effectuez des opérations de ponçage et de préparation de surfaces avec un outil raccordé à un système de dépoussiérage et d'extraction de la poussière, identifiez les matériaux qui produisent de la poussière. Il existe un risque de combustion de mélanges de vernis, laques, polyuréthane, huile ou eau avec des particules de poussière en cas de décharges d'électricité statique, d'étincelles ou de chaleur excessive pouvant causer un feu dans le système de dépoussiérage et d'extraction de la poussière.

N'utilisez pas de système d'extraction de la poussière pour des opérations pouvant contenir des substances en train de brûler ou de fumer, comme des cendres chaudes ou des étincelles. Ceci pourrait causer un incendie à l'intérieur du réservoir ou du sac à poussière de l'aspirateur. Des substances inflammables risqueraient de chauffer excessivement à l'intérieur et de mettre le feu à l'aspirateur longtemps après que vous aurez fini de vous en servir.

N'utilisez pas de dispositifs d'extraction de poussière avec des poussières explosives, des vernis, des enduits en polyuréthane, des produits de nettoyage ou de la peinture à l'huile. Les moteurs électriques produisent des étincelles qui pourraient cause l'inflammation de la poussière ou des fumées.

N'utilisez pas de dispositifs d'extraction de poussière lorsque vous travaillez sur du métal. Des copeaux provenant d'opérations de ponçage, de rectification ou de coupe de métaux peuvent être très chauds et produire des étincelles pouvant faire fondre des adaptateurs en plastique ou des tuyaux d'aspiration flexibles et entraîner un incendie à l'intérieur du réservoir ou du sac à poussière de l'aspirateur.




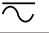
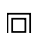
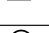




⚠ AVERTISSEMENT Les travaux à la machine tel que ponçage, sciage, meulage, perçage et autres travaux du bâtiment peuvent créer des poussières contenant des produits chimiques qui sont des causes reconnues de cancer, de malformation congénitale ou d'autres problèmes reproductifs. Ces produits chimiques sont, par exemple :

- Le plomb provenant des peintures à base de plomb,
- Les cristaux de silices provenant des briques et du ciment et d'autres produits de maçonnerie, et
- L'arsenic et le chrome provenant des bois traités chimiquement.

Le niveau de risque dû à cette exposition varie avec la fréquence de ces types de travaux. Pour réduire l'exposition à ces produits chimiques, il faut travailler dans un lieu bien ventilé et porter un équipement de sécurité approprié tel que certains masques à poussière conçus spécialement pour filtrer les particules microscopiques.

Symboles

IMPORTANT : Certains des symboles suivants peuvent être utilisés sur votre outil. Veuillez les étudier et apprendre leur signification. Une interprétation appropriée de ces symboles vous permettra d'utiliser l'outil de façon plus efficace et plus sûre.

Symbole	Nom	Désignation/Explication
V	Volts	Tension (potentielle)
A	Ampères	Courant
Hz	Hertz	Fréquence (cycles par seconde)
W	Watt	Puissance
kg	Kilogrammes	Poids
min	Minutes	Temps
s	Secondes	Temps
∅	Diamètre	Taille des mèches de perceuse, meules, etc.
n_0	Vitesse à vide	Vitesse de rotation, à vide
n	Vitesse nominale	Vitesse maximum pouvant être atteinte
.../min	Tours ou mouvement alternatif par minute	Tours, coups, vitesse en surface, orbites, etc., par minute
0	Position d'arrêt	Vitesse zéro, couple zéro ...
1, 2, 3, ... I, II, III, ...	Réglages du sélecteur	Réglages de vitesse, de couple ou de position. Un nombre plus élevé signifie une vitesse plus grande
	Sélecteur variable à l'infini avec arrêt	La vitesse augmente depuis le réglage 0
	Flèche	Action dans la direction de la flèche
	Courant alternatif	Type ou caractéristique du courant
	Courant continu	Type ou caractéristique du courant
	Courant alternatif ou continu	Type ou caractéristique du courant
	Construction classe II	Désigne des outils construits avec double isolation
	Borne de terre	Borne de mise à la terre
	Symbole d'avertissement	Alerte l'utilisateur aux messages d'avertissement.
	Sceau Li-ion RBRC	Désigne le programme de recyclage des piles Li-ion.
	Sceau Ni-Cad RBRC	Désigne le programme de recyclage des piles Ni-Cad.
	Symbole de lecture du mode d'emploi	Alerte l'utilisateur pour lire le mode d'emploi
	Symbole de port de lunettes de sécurité	Alerte l'utilisateur pour porter des lunettes de sécurité

Symboles (suite)

IMPORTANT : Certains des symboles suivants peuvent être utilisés sur votre outil. Veuillez les étudier et apprendre leur signification. Une interprétation appropriée de ces symboles vous permettra d'utiliser l'outil de façon plus efficace et plus sûre.



Ce symbole signifie que cet outil est approuvé par Underwriters Laboratories.



Ce symbole indique que ce composant est reconnu par Underwriters Laboratories.



Ce symbole signifie que cet outil est approuvé par Underwriters Laboratories selon les normes des États-Unis et du Canada.



Ce symbole signifie que cet outil est approuvé par l'Association canadienne de normalisation.



Ce symbole signifie que cet outil est approuvé par l'Association canadienne de normalisation selon les normes des États-Unis et du Canada.



Ce symbole signifie que cet outil est approuvé par Intertek Testing Services selon les normes des États-Unis et du Canada.



Ce symbole signifie que cet outil se conforme aux normes mexicaines NOM.

Description fonctionnelle et spécifications

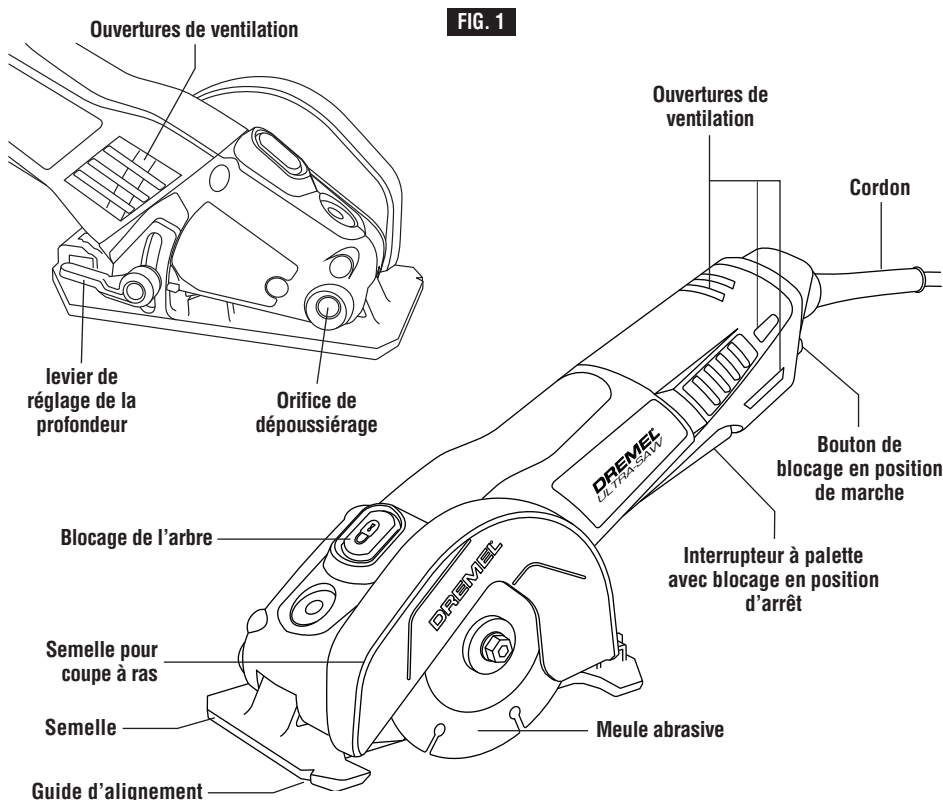


AVERTISSEMENT Débranchez la fiche de la prise de courant avant d'effectuer quelque assemblage ou réglage que ce soit ou de changer les accessoires. Ces mesures de sécurité préventive réduisent le risque d'une mise en marche accidentelle de l'outil.

Scie US40 Dremel® Ultra

USAGE PRÉVU

Cet outil Dremel est conçu pour effectuer des coupes dans le bois, le plastique, le métal, les cloisons sèches, les panneaux de fibres et le carrelage avec les accessoires applicables de la scie Ultra.



Numéro de modèle	US40
* Vitesse nominale	n 13,000/min
* Diamètre max. de la meule abrasive	4 po diam. (102 mm) type 1
Ampérage nominal	7.5 A
Arbre de la meule	0,433 po (11 mm)
Profondeur de coupe max.	3/4 po (21,5 mm)
Tension nominale	120 V ~ 60Hz

* La cote de vitesse de l'accessoire doit être supérieure ou égale à la cote de vitesse de l'outil.
Ne dépassez pas le diamètre de meule recommandé.

REMARQUE : pour voir les spécifications de l'outil, reportez-vous à la plaque signalétique de votre outil.

Assemblage

AVERTISSEMENT Débranchez la fiche de la prise de courant avant d'effectuer quelque assemblage ou réglage que ce soit ou de changer les accessoires. Ces mesures de sécurité préventive réduisent le risque d'une mise en marche accidentelle de l'outil.

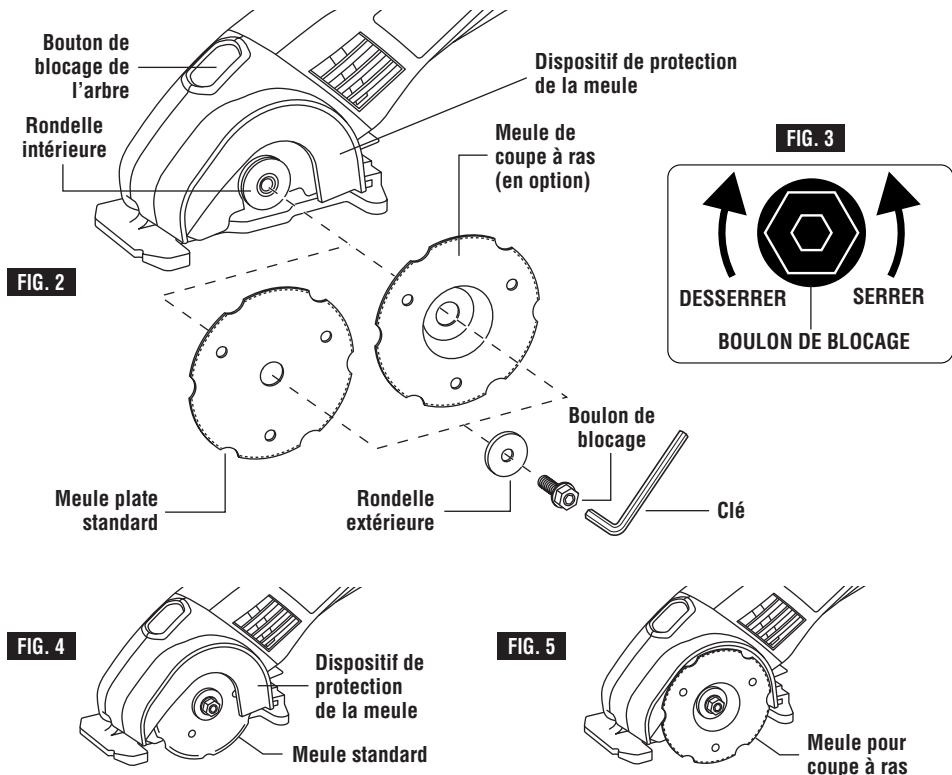
Le boulon de verrouillage qui permet de fixer la meule sur l'outil doit être tourné **DANS LE SENS DES AIGUILLES D'UNE MONTRE** pour le desserrer et **DANS LE SENS CONTRAIRE DES AIGUILLES D'UNE MONTRE** pour le serrer (Fig. 3). Ce boulon a un filet inversé par rapport aux dispositifs de fixation filetés standard.

L'outil Dremel Saw-Max a deux positions possibles pour la meule – une position utilisant un disque standard plat pour toutes vos coupes droite ou en plongées habituelles (Fig. 4) et une deuxième position de meule en option pour effectuer des coupes à ras le long du plancher ou contre un mur (Fig. 5).

AVERTISSEMENT Ne tentez pas de monter deux meules sur le même outil en même temps.

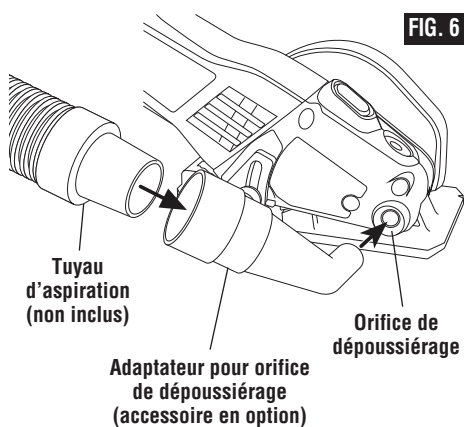
CUTTING WHEEL ASSEMBLY

1. Faites tourner le **BOULON DE BLOCAGE** au moyen de la clé fournie dans le sens des aiguilles d'une montre et retirez le **BOULON DE BLOCAGE** et la **RONDELLE EXTÉRIEURE** (Fig. 2). Si l'arbre bouge pendant que vous essayez de desserrer le boulon de blocage, appuyez sur le bouton de blocage de l'arbre (Fig. 2).
2. **Montage de la meule plate standard:** Faites glisser la meule derrière le dispositif de protection de la meule et montez-la contre la **RONDELLE INTÉRIEURE** sur l'arbre (Fig. 4).
- Montage de la meule pour coupe à ras:** Placez la meule pour coupe à ras contre la **RONDELLE INTÉRIEURE** sur l'arbre à broche (Fig. 5).
3. Réinstallez la **RONDELLE EXTÉRIEURE** et serrez le boulon de blocage au maximum à la main.
4. Appuyez sur le bouton de blocage de l'arbre afin de verrouiller celui-ci et serrez le **BOULON DE BLOCAGE** dans le sens contraire des aiguilles d'une montre au moyen de la clé fournie jusqu'à ce qu'il soit bien serré.



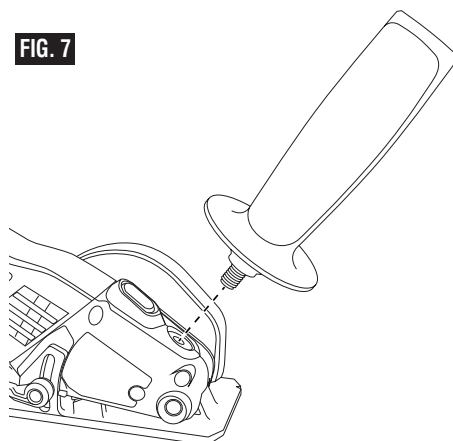
EXTRACTEUR DE POUSSIÈRE (accessoire en option)

Votre outil est équipé d'un orifice de dépoussiérage permettant l'extraction de la poussière. Pour utiliser cette fonction, insérez l'adaptateur pour orifice de dépoussiérage dans l'orifice en question, placez le tuyau d'aspiration dans l'adaptateur, puis connectez l'extrémité opposée du tuyau à un aspirateur d'atelier (Fig. 6).



POIGNÉE LATÉRALE

La poignée latérale est utilisée pour contrôler et équilibrer l'outil pendant les opérations. La poignée doit être filetée dans le logement avant. (Fig. 7). Le corps de l'outil peut également être saisi des deux mains pour le contrôler.



Introduction

Merci d'avoir acheté l'outil Dremel SM20.

Cet outil a été conçu pour accomplir des projets très variés à la maison et autour de la maison. L'outil Dremel US40 permet d'accomplir les tâches plus rapidement et plus efficacement qu'avec les divers outils qui seraient nécessaires pour accomplir une tâche ou un projet donné.

En outre, cet outil est compact et ergonomique, et il coupe virtuellement tous les matériaux communs.

Après avoir utilisé votre nouvel outil Dremel SM20, vous constaterez que c'est un outil de taille idéale pour vous permettre d'accomplir des projets à une fraction de la taille d'une scie circulaire traditionnelle. Grâce à sa gamme complète d'accessoires, cet outil peut couper virtuellement tous les matériaux communs que l'on trouve dans une maison - le bois, le plastique, le métal, les cloisons sèches et le carrelage. L'une des caractéristiques de cet outil est également l'existence de

deux positions différentes pour la meule, une position utilisant une meule plate standard pour toutes vos coupes droites ordinaires et une seconde position pour faire des coupes à ras le long du plancher ou contre un mur.

En plus de sa versatilité, l'outil Dremel US40 fournit une excellente ligne de visée permettant d'effectuer des coupes précises avec confiance afin de produire des coupes exactes dès la première tentative, ce qui vous fait économiser du temps et des matériaux.

Visitez www.dremel.com pour en apprendre plus sur ce que vous pouvez faire avec votre nouvel outil Dremel.

EMPLOI PRÉVU

Cet outil Dremel US40 est conçu pour réaliser des coupes droites dans le bois, le plastique, le métal, les cloisons sèches, les panneaux de fibres et le carrelage en utilisant les accessoires applicables recommandés par Dremel.

Consignes de fonctionnement

AVERTISSEMENT Tenez l'outil à deux mains à la mise en marche car le couple du moteur peut transmettre une certaine torsion.

Mettez l'outil en marche avant de le poser sur la pièce. De même, soulevez-le avant d'en relâcher l'interrupteur. Pour prolonger la durée de l'interrupteur, évitez de le mettre sous tension et hors tension pendant que l'outil est à l'oeuvre.

INTERRUPTEUR À PALETTE AVEC BLOCAGE EN POSITION D'ARRÊT

L'interrupteur à palette permet à l'utilisateur de commander les fonctions de blocage en position arrêt ainsi que la marche/arrêt.

POUR DÉBLOQUER L'INTERRUPTEUR ET METTRE L'OUTIL EN MARCHÉ, repoussez vers l'avant le levier de libération du blocage sur arrêt afin de débloquent l'interrupteur à palette, puis appuyez sur celui-ci (Fig. 7).

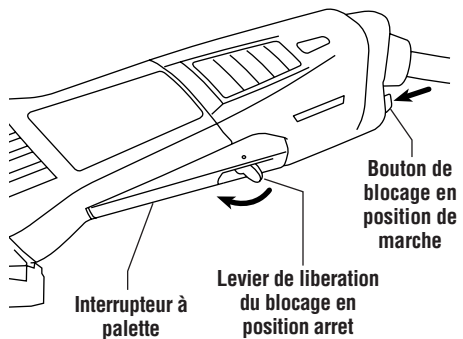
POUR ARRÊTER L'OUTIL, relâchez la pression sur la palette. Elle est rappelée par ressort et revient automatiquement à la position d'arrêt (Fig. 7).

BOUTON DE BLOCAGE EN POSITION DE MARCHÉ

La fonction de blocage en position de marche, incorporée dans l'interrupteur à palette, est commode pour les longues périodes d'utilisation.

POUR BLOQUER L'INTERRUPTEUR EN POSITION DE MARCHÉ : Après avoir actionné l'interrupteur à palette, enfoncez complètement le bouton de blocage en marche, situé à l'arrière de l'outil, et relâchez l'interrupteur à palette (Fig. 7).

FIG. 7



POUR METTRE L'OUTIL À L'ARRÊT : Appuyez sur l'interrupteur à palette et relâchez-le (Fig. 7).

Afin d'éviter les rebonds (la meule essaie de sauter et s'échapper de la pièce) il est conseillé de tronçonner en suivant le sens de rotation de la meule.

AVERTISSEMENT Il est important de lire et comprendre le chapitre de ce mode d'emploi intitulé « Avertissements sur les rebonds et effets associés ».

RÉGLAGE DE LA PROFONDEUR

Débranchez la fiche de la prise de courant. Desserrez le levier de réglage de la profondeur, qui est situé du côté droit de l'outil. La semelle est à ressort et s'abaissera automatiquement (Fig. 9).

Serrez le levier dans le sens contraire des aiguilles d'une montre en fonction du paramètre de profondeur désiré. Vérifiez la profondeur désirée (Fig. 9).

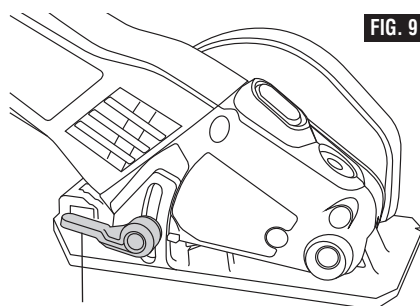


FIG. 9

Levier de réglage
de la profondeur

GUIDE D'ALIGNEMENT

L'encoche-guide vous procurera une ligne de coupe plus ou moins exacte (Fig. 10). Faites une coupe d'essai dans une retaille pour en vérifier l'exactitude.

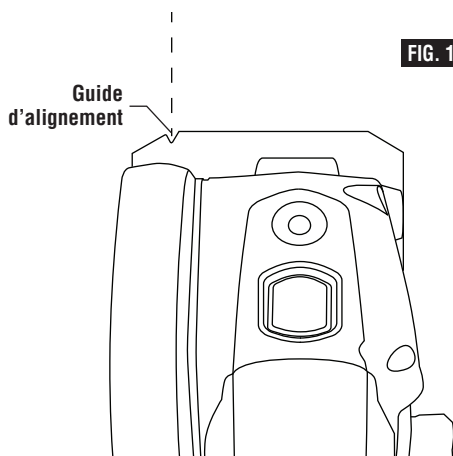


FIG. 10

Guide
d'alignement

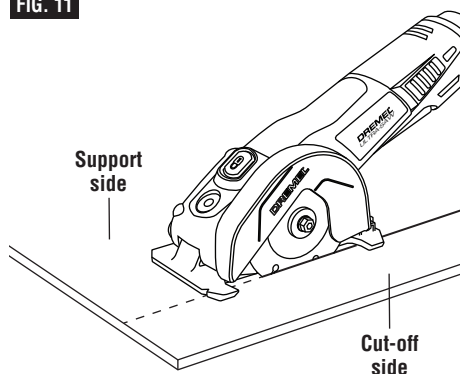
OPÉRATIONS GÉNÉRALES DE TRONÇONNAGE

Maintenez une prise ferme et actionnez l'interrupteur par un mouvement décisif. Ne forcez jamais l'outil. Appliquez une pression légère et continue (Fig. 11).

AVERTISSEMENT Après avoir terminé une coupe et après avoir relâché l'interrupteur, tenez compte du délai nécessaire pour que la meule ralentisse et s'arrête complètement. Ne posez PAS l'outil avant que l'accessoire ne se soit arrêté complètement. Le contact d'une lame en rotation avec une surface dure causera un recul de l'outil qui risquerait de vous blesser. Un contact avec des vêtements peut entraîner un accrochage de la lame et vous causer une coupure.

1. Assurez-vous que le matériau coupé est solidement assujéti dans un étau ou autre dispositif de serrage avant de commencer à couper.
2. Gardez votre corps positionné d'un côté ou l'autre de la meule, mais pas dans l'alignement de celle-ci. Il est important de soutenir correctement l'outil et de positionner votre corps de façon à réduire au minimum l'exposition du corps au risque de choc en retour pouvant se produire au cas où l'outil se coincerait.

FIG. 11



3. Saisissez fermement l'outil pendant l'opération de coupe et soyez toujours en mesure de garder le contrôle de l'opération quoiqu'il arrive.
4. Évitez de coincer, de tordre ou de pincer la meule avec l'ouvrage, et ne faites pas excessivement pression latéralement sur la meule non plus.

COUPE DE CARRELAGE

Assurez-vous que le matériau coupé est solidement assujéti dans un étau ou autre dispositif de serrage avant de commencer à couper.

Mettez l'outil en marche et attendez que la meule atteigne sa vitesse de croisière. Pour les coupes qui vont jusqu'au bord d'un carreau, coupez jusqu'au moment où vous atteignez le ou les bord(s) le long de votre ligne de coupe.

Striez d'abord le carreau le long de votre ligne de coupe en faisant de multiples passes afin de couper finalement toute la profondeur du carreau.

Cet outil n'utilise pas de meules conçues pour la rectification de surfaces planes. Si votre opération de coupe nécessite la production d'un bord fini lisse, utilisez un outil approprié pour la finition des carreaux afin de parachever la coupe du bord du carreau.

COUPE DE MÉTAUX

Il est possible d'effectuer une coupe limitée sur de petits ouvrages tels que des tuyaux en cuivre, des conduits, des barres d'armature, des tiges filetées, des étagères en fil métallique enrobé de plastique, des canalisations pour le chauffage et la climatisation, des feuilles d'aluminium, des gouttières et des bordures de toit.

Lors de la coupe, travaillez à une vitesse d'avance modérée en fonction du matériau qui est en train d'être coupé. N'exercez pas de pression latérale sur la meule, n'inclinez pas l'outil et ne le faites pas osciller.

Lorsque vous coupez des profilés ou des barres carrées, il est préférable de commencer à couper au point le plus étroit. Prenez toujours les précautions nécessaires pour éviter les chocs en retour.

N'appliquez pas de pression latérale sur la meule dans le but de réduire la vitesse de rotation de la meule. L'outil doit toujours être utilisé de telle manière que les étincelles éventuelles soient dirigées dans le sens opposé à celui de l'utilisateur.

Après chaque emploi, retirez la meule et nettoyez l'intérieur et l'extérieur du dispositif de protection avec de l'air comprimé. La maintenance préventive du dispositif de protection réduira le risque d'accident.

COUPES EN PLONGÉE OU INTÉRIEURES

La taille et la versatilité de l'outil Dremel US40 en fait une excellente option pour réaliser des coupes en plongée ou intérieures dans un ouvrage tel qu'un plancher, des lambris ou un revêtement extérieur.

1. Marquez la surface à couper en traçant les lignes de coupe désirées.
2. Desserrez le levier de réglage de la profondeur de façon que la semelle à ressort se relâche et passe au réglage de profondeur zéro. Laissez le levier de réglage de la profondeur desserré pendant cette opération de coupe.
3. Faites reposer la semelle de l'outil sur l'ouvrage et alignez la meule de l'outil sur la ligne de coupe (Fig. 12).
4. Tout en tenant fermement l'outil en main, appuyez sur l'interrupteur à palette et attendez que la meule de l'outil s'arrête complètement.
5. Plongez/abaissez lentement l'outil et la meule en direction de l'ouvrage (Fig. 13).
6. Guidez l'outil vers l'avant et achevez l'opération de coupe.
7. Relâchez l'interrupteur à palette et attendez que l'outil s'arrête complètement.
8. Retirez l'outil de l'ouvrage.
9. Répétez les étapes 3-8 suivant les besoins pour achever vos coupes.

FIG. 12

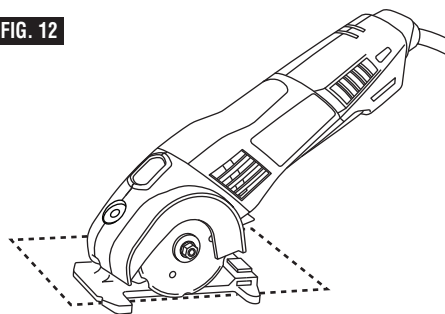
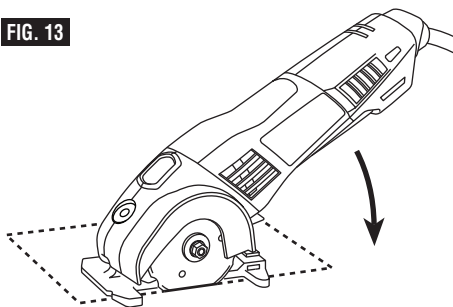


FIG. 13

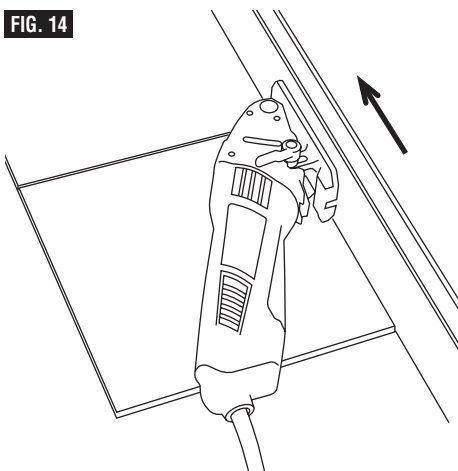


COUPE À RAS

Pour commencer, considérez la hauteur désirée pour la coupe à ras. Pour une installation de plancher, additionnez les épaisseurs de votre adhésif de plancher, du plancher proprement dit et de toutes les sous-couches et autres matériaux pour produire l'épaisseur totale du plancher complet (Fig. 14).

1. Installez la meule de coupe à ras sur l'outil tel que cela est décrit sous la rubrique « Montage de la meule pour coupe à ras », à la page 29.
2. Réglez la profondeur de la meule sur le paramètre de réglage de profondeur désiré.
3. Faites tourner l'outil sur son côté de façon que la semelle pour la coupe à ras repose contre le plancher.
4. Saisissez fermement l'outil. Mettez l'outil en marche et laissez-le atteindre sa vitesse de croisière avant d'attaquer le matériau à couper.
5. Terminez votre coupe et retirez l'outil de l'ouvrage avant de mettre l'outil hors tension.

FIG. 14

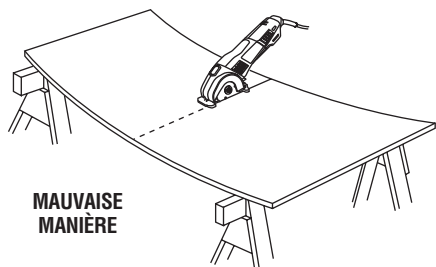


COUPE DE GRANDES FEUILLES

Lorsque vous effectuez des coupes de plus de 60 cm dans des matériaux tels que du contre-plaqué, l'outil peut devenir très chaud et risque même de brûler le matériau. Pour éviter ceci, laissez l'outil refroidir entre deux opérations de coupe.

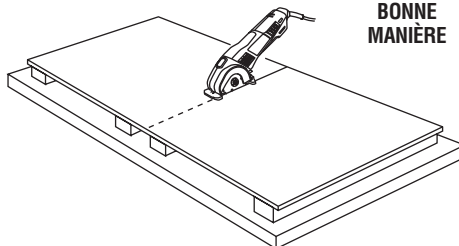
Les grandes feuilles et les longs panneaux fléchissent ou plient, selon la façon dont ils sont soutenus. Si vous essayez de les couper sans les avoir mise au niveau et soutenus par des supports au préalable, la meule aura tendance à gripper provoquant des REBONDS et la surcharge du moteur (Fig. 15).

FIG. 15



Placez le panneau ou la planche sur des supports situés à proximité de la ligne de coupe, comme l'indique la (Fig. 16). Assurez-vous que la profondeur de coupe est réglée de manière à ce que la lame ne traverse que la feuille ou la planche à couper, sans faire d'entailles dans la table de travail ou l'établi. Les deux-par-quatre utilisés pour soulever et soutenir la pièce devraient reposer à plat entre celle-ci et la table ou l'établi. Ne placez jamais les deux-par-quatre sur leurs côtés plus étroits car cet arrangement manquerait de stabilité. Si la feuille ou le panneau est plus grand que la table ou l'établi, placez-le sur des deux-par-quatre sur le plancher et assujettissez-le.

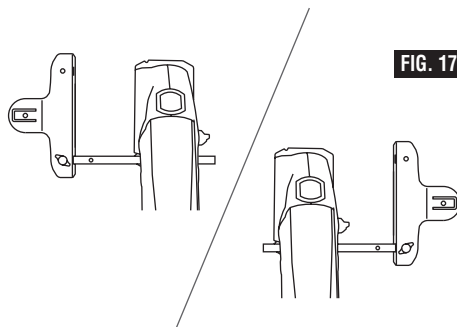
FIG. 16



GUIDE DE COUPE POUR BORD DROIT (compléments en option)

Le guide de coupe pour bord droit est utilisé pour couper parallèlement au bord de l'ouvrage, et il peut être utilisé d'un côté ou de l'autre de la semelle selon que l'on veuille couper le long du côté droit ou gauche de l'ouvrage.

REMARQUE : Lorsque vous utilisez le guide de coupe pour bord droit du côté gauche ou du côté droit de l'outil, positionnez le guide comme illustré (Fig. 17).



COUPES LONGITUDINALES (accessoire en option)

Les coupes longitudinales sont faciles à réaliser avec un guide de coupe pour bord droit (Fig. 18). Un tel guide est disponible sous forme d'accessoire (accessoire en option). Pour l'attacher, insérez le guide de coupe pour bord droit, insérez le guide longitudinal à travers les fentes dans la semelle à la largeur désirée comme illustré et assujettissez avec la vis de pression.

FIG. 18

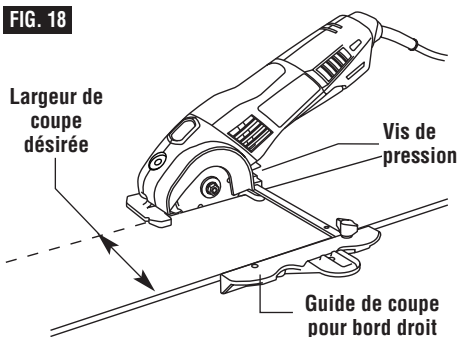
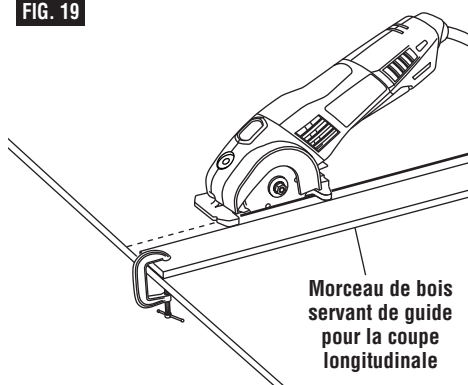


PLANCHE DE GUIDAGE LONGITUDINALE

Lorsque vous coupez de grandes feuilles dans le sens de la longueur, le guide de coupe pour bord droit ne permettra peut-être pas la largeur de coupe désirée. Assujettissez ou clouez un morceau de bois droit de 1 po d'épaisseur sur la feuille pour servir de guide (Fig. 19). Utilisez le côté gauche de la semelle contre le morceau de bois servant de guide.

FIG. 19

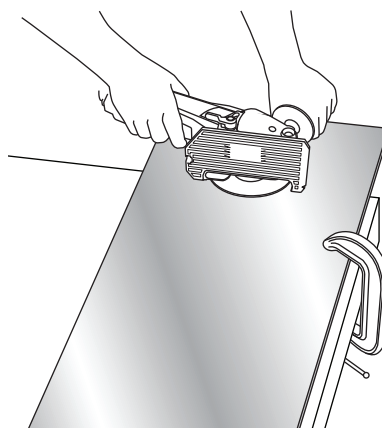


PRÉPARATION DE LA SURFACE (pour emploi avec des lames telles que US400 & US410)

Veillez à ce que le matériau à préparer soit sécurisé par un étau ou un autre dispositif similaire avant de commencer à préparer la surface.

1. Attendez que l'outil atteigne sa vitesse de fonctionnement optimale avant de le mettre en contact avec la surface de travail.
2. Appliquez le minimum de pression sur la surface de travail en laissant l'outil fonctionner à grande vitesse. La productivité maximum en matière de finition de surface est obtenue lorsque l'outil fonctionne à une vitesse élevée.
3. Déplacez continuellement l'outil en va et vient vers l'avant et vers l'arrière afin de ne pas risquer de rayer la surface de travail.
4. Retirez l'outil de la surface de travail avant de le mettre hors tension. Attendez que l'outil cesse de tourner avant de le poser.

FIG. 20



Renseignements sur l'entretien

Service

AVERTISSEMENT IL N'EXISTE À L'INTÉRIEUR AUCUNE PIÈCE SUSCEPTIBLE D'ÊTRE ENTRETENUE PAR L'UTILISATEUR. L'entretien préventif effectué par des employés non autorisés peut entraîner un positionnement erroné des composants et des fils internes, et ainsi causer des dangers sévères. Il est recommandé que l'entretien et la réparation de nos outils soient confiés à un centre de service-usine Dremel ou à un centre de service après-vente Dremel agréé.

BALAIS AU CARBONE

Les balais et le commutateur dans votre outil ont été conçus de façon à permettre de nombreuses heures de fonctionnement sans problèmes. Pour maintenir l'efficacité maximum du moteur, nous recommandons de faire inspecter les balais dans un centre de service après-vente Dremel agréé.

Nettoyage

AVERTISSEMENT Pour éviter les accidents, débranchez toujours l'outil et/ou le chargeur de la source de courant avant de nettoyer. La façon la plus efficace de nettoyer l'outil est à l'aide d'air sec comprimé. Portez toujours des lunettes de sécurité en nettoyant les outils à l'air comprimé.

Les prises d'air et les leviers de commutation doivent être gardés propres et exempts de corps étrangers. Ne tentez pas de nettoyer en insérant des objets pointus à travers l'ouverture.

AVERTISSEMENT Certains agents de nettoyages et certains dissolvants abîment les pièces en plastique. Parmi ceux-ci se trouvent: l'essence, le tétrachlorure de carbone, les dissolvants de nettoyage chlorés, l'ammoniaque ainsi que les détergents domestiques qui en contiennent.

Cordons de rallonge

AVERTISSEMENT Si un cordon de rallonge s'avère nécessaire, vous devez utiliser un cordon avec conducteurs de dimension adéquate pouvant porter le courant nécessaire à votre outil. Ceci préviendra une chute excessive de tension, une perte de courant ou une surchauffe. Les outils mis à la terre doivent utiliser des cordons de rallonge trifilaires pourvus de fiches à trois broches ainsi que des prises à trois broches.

REMARQUE : Plus le calibre est petit, plus le fil est gros.

DIMENSIONS DE RALLONGES RECOMMANDÉES OUTILS 120 VOLTS COURANT ALTERNATIF

Intensité nominale de l'outil	Calibre A.W.G.				Calibre en mm ²			
	25	50	100	150	15	30	60	120
3-6	18	16	16	14	0,75	0,75	1,5	2,5
6-8	18	16	14	12	0,75	1,0	2,5	4,0
8-10	18	16	14	12	0,75	1,0	2,5	4,0
10-12	16	16	14	12	1,0	2,5	4,0	—
12-16	14	12	—	—	—	—	—	—

Accessoires de l'outil Dremel US40

AVERTISSEMENT Utilisez seulement des accessoires haute performance compatibles avec l'outil Dremel US40. Les autres accessoires ne sont pas conçus pour cet outil, et ils pourraient causer des blessures aux personnes ou des dommages aux biens.



Lame de préparation de surfaces en métal US400

Meule abrasive non tissée pour retirer des grandes quantités de rouille et de peinture de surfaces en métal.



Lame de préparation de surfaces en béton US410

Meule incrustée de diamants pour retirer des lits de mortier et de la peinture de surfaces en béton et en briques.



Meule au carbure pour le bois et le plastique US500

Meule coupante abrasive avec des grains de carbure conçue pour couper du bois et d'autres matériaux doux.



Meule tronçonneuse pour le métal US510

Meule tronçonneuse abrasive renforcée de type 1 conçue pour couper des matériaux variés tels que du métal et du plastique.

**Meule tronçonneuse pour maçonnerie
US520**

Meule tronçonneuse abrasive renforcée de type 1 conçue pour couper de la maçonnerie et de la pierre.

**Meule diamantée pour carreaux de sol
US540**

Meule de coupe abrasive diamantée de type 1A (ISO 41) qui est conçue pour faire des coupes dans des matériaux durs comme la porcelaine et le carrelage, et pour rainurer la brique et le béton.

**Meule au carbure pour les coupes à ras
du bois et du plastique
US600**

Meule de coupe abrasive excentrée de type 27A (ISO 42) avec des grains de carbure qui est conçue pour la coupe à ras de bois et d'autres matériaux doux.

		Coupe				
		US500	US510	US520	US540	US600
		Meule au carbure	Meule tronçonneuse universelle	Meule tronçonneuse pour maçonnerie	Meule diamantée	Meule pour coupes à ras
Matériau						
Bois	Contre-plaqué	X				X
	Pin	X				X
	Peuplier	X				X
	Chêne	X				X
	Matériaux composites , (OSB, panneaux de fibres)	X				X
	Planchers stratifiés	X				X
Cloisons sèches	Cloisons sèches	X				X
Métal	Tuyaux en cuivre		X			
	Conduit		X			
	Étagères en fil de fer enrobé		X			
	Tuyaux de chauffage et de climatisation		X			
	Tôle d'al., gouttières, bandeaux		X			
	Tôle galvanisée		X			
	Tiges filetées		X			
Plastique	Plexiglas (feuilles de plastique)	X	X			X
	Revêtements en vinyle, gouttières	X	X			X
	Tuyaux en PVC	X	X			X
Carreaux	Carreaux muraux				X	
	Carrelages				X	
Maçonnerie	Bandeaux de briques			X	X	
	Panneaux de fibres cimentées			X	X	
	pavés			X		
Autre	Fibre de verre	X				X

Préparation de surfaces			
		US400	US410
Application	Matériau	Prép. de surfaces en métal	Prép. de surfaces en béton
Retrait de rouille	Métal	X	
Retrait de peinture	Métal	X	
	Béton		X
	Maçonnerie		X
	Brique		X
Retrait de lit de mortier	Support de revêtement de sol		X
	Panneaux de ciment		X
Préparation de sols	Ciment		X

Guide de diagnostic

AVERTISSEMENT

Lisez d'abord le mode d'emploi ! Retirez la fiche de la prise de courant avant de procéder à de quelconques réglages ou de monter la meule.

- CAUSE :**
- PROBLÈME : L'OUTIL NE SE MET PAS EN MARCHÉ.**
1. Le cordon d'alimentation n'est pas branché.
 2. Fusible grillé ou disjoncteur déclenché dans la source d'alimentation.
 3. Cordon endommagé.
 4. Interrupteur grillé.
 5. Paddle switch does not turn tool on.
- REMÈDE :**
1. Branchez l'outil.
 2. Remplacez le fusible ou réactivez le disjoncteur déclenché.
 3. Inspectez le cordon pour vous assurer qu'il n'est pas endommagé. S'il est endommagé, faites-le remplacer dans un centre de réparations agréé de Dremel.
 4. Faites remplacer l'interrupteur dans un centre de réparations agréé de Dremel.
 5. La fonction de verrouillage n'est pas activée.
- CAUSE**
- PROBLÈME : LA MEULE N'ATTEINT PAS SA VITESSE DE CROISIÈRE.**
1. Le cordon de rallonge est de calibre insuffisant ou est trop long.
 2. La tension secteur est faible.
- REMÈDE :**
1. Remplacez par un cordon adéquat.
 2. Contactez votre fournisseur d'électricité.
- CAUSE :**
- PROBLÈME : VIBRATIONS EXCESSIVES**
1. La meule est désaxée.
 2. L'ouvrage n'est pas assujéti ou soutenu adéquatement.
- REMÈDE :**
1. Mettez la meule au rebut et utilisez une autre meule.
 2. Assujétissez ou soutenez l'ouvrage comme cela est montré aux pages 33 et 34.
- PROBLÈME : L'OPÉRATION DE COUPE COINCE, GRILLE OU FAIT CALER LE MOTEUR LORS DE COUPES LONGITUDINALES**
- CAUSE :**
1. Meule émoussée.
 2. Planche gauchie.
 3. La meule se coince.
 4. L'ouvrage n'est pas soutenu adéquatement.
- REMÈDE :**
1. Mettez la meule au rebut et utilisez une autre meule. Ou nettoyez les débris se trouvant sur les grains au carbure avec une brosse métallique.
 2. Assurez-vous que le côté concave ou creux est orienté vers le BAS, et qu'il avance lentement, voir (page 33).
 3. Montez la meule et serrez le boulon de blocage conformément aux « Instructions de montage », voir (page 29). Ou limitez-vous à des opérations portant sur des coupes droites.
 4. Assujétissez ou soutenez l'ouvrage comme cela est montré aux pages 33 et 34.
- PROBLÈME : LA MEULE LAISSE DES MARQUES SUR LE PLANCHER PENDANT UNE COUPE À RAS**
- CAUSE :**
1. Meule tordue ou gauchie.
- REMÈDE :**
1. Mettez la meule au rebut et utilisez une autre meule.

Garantie limitée de Dremel®

Votre produit Dremel est garanti contre les vices de matériau ou de façon pendant un délai de deux ans à compter de la date d'achat. Dans l'hypothèse où le produit ne se conformerait pas à cette garantie écrite, veuillez procéder de la façon suivante :

1. NE RAPPORTEZ PAS votre produit à l'endroit où vous l'avez acheté.
2. Emballez avec soin le produit seul, sans aucun autre article, et renvoyez-le, en port payé, accompagné :
 - A. d'une copie de votre justificatif d'achat daté (veuillez en garder une copie pour vous-même)
 - B. d'une déclaration écrite concernant la nature du problème
 - C. d'une indication de vos nom, adresse et numéro de téléphone, à l'adresse suivante :

ÉTATS-UNIS

Dremel Service Center
4915 21st Street
Racine, WI 53406

OU

CANADA

Giles Tool Agency
 Scarborough, Ont.
 Canada M1K 3K9 1-416-287-3000

À L'EXTÉRIEUR DU TERRITOIRE CONTINENTAL DES ÉTATS-UNIS

Consultez votre distributeur local ou écrivez à Dremel : 4915 21st Street Racine, WI 53406

Nous vous recommandons d'assurer le paquet contre la perte ou les dommages en cours de route dont nous ne pouvons assumer la responsabilité.

Cette garantie n'est offerte qu'à l'acheteur enregistré d'origine. LES DOMMAGES AU PRODUIT RÉSULTANT DE MANIPULATIONS ABUSIVES, D'ACCIDENTS, D'USAGES ABUSIFS, DE NÉGLIGENCE, DE RÉPARATIONS OU D'ALTÉRATIONS NON AUTORISÉES, D'UTILISATION D'ACCESSOIRES NON APPROUVÉS OU D'AUTRES CAUSES NON LIÉES AU MATÉRIAU OU À LA FAÇON NE SONT PAS COUVERTS PAR CETTE GARANTIE.

Aucun employé, mandataire, vendeur ou autre n'est autorisé à accorder des garanties au nom de Dremel. Si l'inspection effectuée par Dremel révèle que le problème a été causé par un problème de matériau ou de façon dans les limites de la garantie, Dremel réparera ou remplacera le produit gratuitement et renverra le produit en port payé. Si elles peuvent être effectuées, les réparations rendues nécessaires par l'usure normale ou un usage abusif, ou les réparations du produit une fois la période de garantie expirée, seront facturées aux tarifs réguliers de l'usine.

DREMEL N'ACCORDE AUCUNE AUTRE GARANTIE DE QUELQUE NATURE QUE CE SOIT, EXPLICITE OU IMPLICITE, ET TOUTES LES GARANTIES IMPLICITES DE COMMERCIALISATION ET D'APTITUDE À UN USAGE PARTICULIER EN PLUS DE L'OBLIGATION SUSVISÉE SONT REJETÉES PAR LES PRÉSENTES PAR DREMEL ET EXCLUES DE CETTE GARANTIE LIMITÉE.

Cette garantie vous accorde certains droits précis, et vous pouvez également avoir d'autres droits qui varient d'un endroit à un autre. L'obligation du garant se limite à réparer ou remplacer le produit. Le garant n'est responsable d'aucun dommage accessoire ou indirect attribuable à de telles défaillances alléguées. Certaines juridictions ne permettent pas l'exclusion ou la limitation des dommages accessoires ou indirects ; il se peut donc que les limitations ou l'exclusion qui précède ne s'appliquent pas à vous.

En ce qui concerne les prix et la façon de vous prévaloir de la garantie sur le territoire continental des États-Unis, mettez-vous en contact avec votre distributeur Dremel local.

Exportado por: © Robert Bosch Tool Corporation Mt. Prospect, IL 60056 -2230, E.U.A.

Importado a México por: Robert Bosch, S. de R.L. de C.V.
 Calle Robert Bosch No. 405 - 50071 Toluca, Edo. de Méx. - México
 Tel. 052 (722) 279 2300 ext 1160 / Fax. 052 (722) 216-6656

Advertencias generales de seguridad para herramientas mecánicas



ADVERTENCIA

Lea todas las advertencias de seguridad y todas las instrucciones. Si no se siguen las advertencias e instrucciones, el resultado podría ser sacudidas eléctricas, incendio y/o lesiones graves.

GUARDE TODAS LAS ADVERTENCIAS E INSTRUCCIONES PARA REFERENCIA FUTURA

La expresión “herramienta mecánica” en las advertencias se refiere a su herramienta mecánica alimentada por la red eléctrica (herramienta alámbrica) o su herramienta mecánica alimentada por baterías (herramienta inalámbrica).

Seguridad del área de trabajo

Mantenga el área de trabajo limpia y bien iluminada. Las áreas desordenadas u oscuras invitan a que se produzcan accidentes.

No utilice herramientas mecánicas en atmósferas explosivas, como por ejemplo en presencia de líquidos, gases o polvos inflamables. Las herramientas mecánicas generan chispas que pueden incendiar el polvo o los vapores.

Mantenga alejados a los niños y a las personas que estén presentes mientras esté utilizando una herramienta mecánica. Las distracciones pueden hacerle perder el control de la herramienta.

Seguridad eléctrica

Los enchufes de las herramientas mecánicas deben coincidir con el tomacorriente. No modifique nunca el enchufe de ningún modo. No use enchufes adaptadores con herramientas mecánicas conectadas a tierra (puestas a tierra). Los enchufes no modificados y los tomacorrientes coincidentes reducirán el riesgo de sacudidas eléctricas.

Evite el contacto del cuerpo con las superficies conectadas o puestas a tierra, tales como tuberías, radiadores, estufas y refrigeradores. Hay un aumento del riesgo de sacudidas eléctricas si el cuerpo del operador se conecta o pone a tierra.

No exponga las herramientas mecánicas a la lluvia o a condiciones mojadas. La entrada de agua en una herramienta mecánica aumentará el riesgo de que se produzcan sacudidas eléctricas.

No maltrate el cordón de energía. No use nunca el cordón para transportar la herramienta mecánica, tirar de ella o desenchufarla. Mantenga el cordón alejado del calor, el aceite, los bordes afilados o las piezas móviles. Los cordones dañados o enganchados aumentan el riesgo de que se produzcan sacudidas eléctricas.

Cuando utilice una herramienta mecánica en el exterior, use un cordón de extensión adecuado para uso a la intemperie. La utilización de un cordón adecuado para uso a la intemperie reduce el riesgo de que se produzcan sacudidas eléctricas.

Si es inevitable utilizar una herramienta mecánica en un lugar húmedo, utilice una fuente de energía

protegida por un interruptor de circuito accionado por corriente de pérdida a tierra (GFCI). El uso de un GFCI reduce el riesgo de sacudidas eléctricas.

Seguridad personal

Manténgase alerta, fíjese en lo que está haciendo y use el sentido común cuando esté utilizando una herramienta mecánica. No use una herramienta mecánica cuando esté cansado o bajo la influencia de drogas, alcohol o medicamentos. Un momento de distracción mientras esté utilizando herramientas mecánicas podría causar lesiones corporales graves.

Use equipo de protección personal. Use siempre protección de los ojos. El equipo de protección, como por ejemplo una máscara antipolvo, calzado de seguridad antideslizante, casco o protección de oídos, utilizado para las condiciones apropiadas, reducirá las lesiones corporales.

Evite el arranque accidental. Asegúrese de que el interruptor esté en la posición de apagado antes de conectar la herramienta a la fuente de energía y / o al paquete de batería, levantar la herramienta o transportarla. Transportar herramientas mecánicas con un dedo en el interruptor o encender herramientas mecánicas que tengan el interruptor en la posición de encendido invita a que se produzcan accidentes.

Quite todas las llaves de ajuste o de tuerca antes de encender la herramienta mecánica. Una llave de tuerca o de ajuste que se deje colocada en una pieza giratoria de la herramienta mecánica podría causar lesiones corporales.

No intente alcanzar demasiado lejos. Mantenga un apoyo de los pies y un equilibrio apropiados en todo momento. Esto permite controlar mejor la herramienta mecánica en situaciones inesperadas.

Vístase adecuadamente. No use ropa holgada ni alhajas holgadas. Mantenga el pelo, la ropa y los guantes alejados de las piezas móviles. La ropa holgada, las alhajas holgadas o el pelo largo pueden quedar atrapados en las piezas móviles.

Si se proporcionan dispositivos para la conexión de instalaciones de extracción y recolección de polvo, asegúrese de que dichas instalaciones estén conectadas y se usen correctamente. El uso de dispositivos de recolección de polvo puede reducir los peligros relacionados con el polvo.

Uso y cuidado de las herramientas mecánicas

No fuerce la herramienta mecánica. Use la herramienta mecánica correcta para la aplicación que desee realizar. La herramienta mecánica correcta hará el trabajo mejor y con más seguridad a la capacidad nominal para la que fue diseñada.

No use la herramienta mecánica si el interruptor no la enciende y apaga. Toda herramienta mecánica que no se pueda controlar con el interruptor es peligrosa y debe ser reparada.

Desconecte el enchufe de la fuente de energía y/o el paquete de batería de la herramienta mecánica antes de hacer cualquier ajuste, cambiar accesorios o almacenar herramientas mecánicas. Dichas medidas preventivas de seguridad reducen el riesgo de arrancar accidentalmente la herramienta mecánica.

Guarde las herramientas que no esté usando fuera del alcance de los niños y no deje que personas que no estén familiarizadas con la herramienta mecánica o con estas instrucciones utilicen la herramienta. Las herramientas mecánicas son peligrosas en manos de usuarios que no hayan recibido capacitación.

Mantenga las herramientas mecánicas. Compruebe si hay piezas móviles desalineadas o que se atoran, si

hay piezas rotas y si existe cualquier otra situación que podría afectar el funcionamiento de la herramienta mecánica. Si la herramienta mecánica está dañada, haga que la reparen antes de usarla. Muchos accidentes son causados por herramientas mecánicas mantenidas deficientemente.

Mantenga las herramientas de corte afiladas y limpias. Es menos probable que las herramientas de corte mantenidas apropiadamente, con bordes de corte afilados, se atoren, y dichas herramientas son más fáciles de controlar.

Utilice la herramienta mecánica, los accesorios, las brocas de la herramienta, etc., de acuerdo con estas instrucciones, teniendo en cuenta las condiciones de trabajo y el trabajo que se vaya a realizar. El uso de la herramienta mecánica para operaciones distintas a aquéllas para las que fue diseñada podría causar una situación peligrosa.

Servicio de ajustes y reparaciones

Haga que su herramienta mecánica reciba servicio de un técnico de reparaciones calificado, utilizando únicamente piezas de repuesto idénticas. Esto asegurará que se mantenga la seguridad de la herramienta mecánica.

Advertencias de seguridad específicas para herramientas mecánicas

Advertencias de seguridad comunes para las operaciones de amolado, lijado y corte con ruedas abrasivas:

Esta herramienta mecánica está diseñada para funcionar como amoladora, lijadora o herramienta recortadora. Lea todas las advertencias de seguridad, instrucciones, ilustraciones y especificaciones suministradas con esta herramienta mecánica. Si no se siguen todas las instrucciones que se indican a continuación, el resultado podría ser descargas eléctricas, incendio y/o lesiones graves.

No se recomienda realizar operaciones tales como amolado, lijadora, cepillo de alambre y pulir con esta herramienta eléctrica. Las operaciones para las cuales la herramienta mecánica no fue diseñada pueden crear un peligro y causar lesiones corporales.

No utilice accesorios que no estén diseñados y recomendados específicamente por el fabricante de la herramienta. Sólo porque el accesorio se pueda instalar en su herramienta mecánica, eso no garantiza una operación segura.

La velocidad nominal del accesorio debe ser al menos igual a la velocidad marcada en la herramienta mecánica. Los accesorios que funcionen más rápidamente que su VELOCIDAD NOMINAL se pueden romper y salir despedidos.

El diámetro exterior y el grosor de su accesorio deben estar dentro de la capacidad nominal de su herramienta mecánica. Los accesorios de tamaño incorrecto no se pueden proteger ni controlar adecuadamente.

La montura roscada de los accesorios debe coincidir con la rosca del husillo de la amoladora. En el caso de accesorios montados por pestañas, el agujero del accesorio para el eje portaherramienta debe encajar en el diámetro ubicador de la pestaña. Los accesorios que no coincidan con los herrajes de montaje de la herramienta eléctrica funcionarán de manera desequilibrada, vibrarán excesivamente y es posible que causen pérdida de control.

No utilice un accesorio que esté dañado. Antes de cada uso, inspeccione el accesorio, como por ejemplo las ruedas abrasivas para comprobar si tienen picaduras y grietas, la zapata de soporte para comprobar si tiene grietas, desgarraduras o desgaste excesivo, y el cepillo de alambre para comprobar si hay alambres flojos o agrietados. Si la herramienta mecánica o el accesorio se cae, realice una inspección para comprobar si se ha dañado o instale un accesorio que no esté dañado. Después de inspeccionar e instalar un accesorio, posicione usted y posicione a las personas que estén presentes

alejados del plano del accesorio que gira y haga funcionar la herramienta mecánica a la máxima velocidad sin carga durante un minuto. Normalmente, los accesorios dañados se romperán en pedazos durante este tiempo de prueba.

Utilice equipo de protección personal. Dependiendo de la aplicación, use una careta, anteojos de seguridad o lentes de seguridad. Según sea apropiado, use una máscara antipolvo, protectores de la audición, guantes y un delantal de taller capaz de detener pequeños fragmentos de abrasivo o de la pieza de trabajo. La protección de los ojos debe ser capaz de detener los residuos que salgan despedidos al ser generados por diversas operaciones. La máscara antipolvo o el respirador debe ser capaz de filtrar las partículas generadas por la operación que usted realice. La exposición prolongada a ruido de alta intensidad puede causar pérdida de audición.

Mantenga a las personas presentes a una distancia segura del área de trabajo. Toda persona que entre al área de trabajo debe usar equipo de protección personal. Los fragmentos de la pieza de trabajo o de un accesorio roto pueden salir despedidos y causar lesiones más allá del área inmediata de operación.

Agarre la herramienta eléctrica solamente por las superficies de agarre con aislamiento cuando realice una operación en la que el accesorio de corte pueda entrar en contacto con cables ocultos o con su propio cable de alimentación. Si el accesorio de corte entra en contacto con un cable con corriente, el resultado podría ser que las partes metálicas de la herramienta que están al descubierto lleven corriente, con lo cual podrían causarle descargas eléctricas al operador.

Posicione el cordón de energía alejado del accesorio que gira. Si usted pierde el control, el cordón de energía puede resultar cortado o enganchado y la mano o el brazo del operador puede ser arrastrado hasta el accesorio que gira.

No deje nunca la herramienta mecánica en ningún lugar hasta que el accesorio se haya detenido por completo. El accesorio que gira se puede enganchar en la superficie y tirar de la herramienta mecánica hasta hacer que usted pierda el control.

No haga funcionar la herramienta mecánica mientras la lleva a su lado. El contacto accidental con el accesorio que gira podría enganchar la ropa del operador y tirar del accesorio hacia su cuerpo.

Limpie regularmente las aberturas de ventilación de la herramienta mecánica. El ventilador del motor absorberá el polvo al interior de la carcasa y la acumulación excesiva de metal en polvo puede causar peligros eléctricos.

No utilice la herramienta mecánica cerca de materiales inflamables. Las chispas podrían incendiar estos materiales.

No utilice accesorios que requieran enfriadores líquidos. La utilización de agua u otros enfriadores

líquidos puede causar electrocución o descargas eléctricas.

Retroceso y advertencias relacionadas

El retroceso es una reacción repentina a una rueda que gira, una zapata de soporte, un cepillo o cualquier otro accesorio que resulte pellizcado o enganchado. El pellizcamiento o el enganche causan una parada rápida del accesorio que gira, lo cual a su vez hace que la herramienta mecánica descontrolada sea forzada en sentido opuesto al de rotación del accesorio en el punto del atoramiento.

Por ejemplo, si la pieza de trabajo engancha o pellizca una rueda abrasiva, el borde de la rueda que esté entrando en el punto de pellizcamiento puede penetrar en la superficie del material, haciendo que la rueda se salga del corte o experimente retroceso. La rueda puede saltar hacia el operador o alejándose de éste, dependiendo del sentido de movimiento de dicha rueda en el punto de pellizcamiento. Las ruedas abrasivas también se pueden romper en estas condiciones.

El retroceso es el resultado de la utilización indebida de la herramienta mecánica y/o de procedimientos o condiciones de operación incorrectos, y se puede evitar tomando las precauciones apropiadas que se indican a continuación.

Mantenga un agarre firme de la herramienta mecánica y posicione el cuerpo y el brazo para permitir que usted resista las fuerzas de retroceso. Utilice siempre el mango auxiliar, si se suministra, para tener el máximo control sobre el retroceso o la reacción de fuerza de torsión durante el arranque. El operador puede controlar las reacciones de fuerza de torsión o las fuerzas de retroceso, si se toman las precauciones apropiadas.

No coloque nunca la mano cerca del accesorio que gira. El accesorio puede experimentar retroceso sobre la mano.

No ubique el cuerpo en el área donde la herramienta mecánica se moverá si se produce retroceso. El retroceso propulsará la herramienta en sentido contrario al del movimiento de la rueda en el punto de enganche.

Tenga cuidado especial cuando trabaje en esquinas, bordes afilados, etc. Evite hacer rebotar y enganchar el accesorio. Las esquinas, los bordes afilados o los rebotes tienen tendencia a enganchar el accesorio que gira y causar pérdida de control o retroceso.

No instale una hoja de cadena de sierra para tallar madera ni una hoja con dientes de sierra. Dichas hojas generan retroceso y pérdida de control frecuentes.

Advertencias de seguridad específicas para las operaciones de amolado y corte con ruedas abrasivas:

La superficie de amolado de las ruedas con depresión en el centro se debe montar de manera que esté debajo del plano del borde del protector. Una rueda montada incorrectamente que sobresalga a través del plano del reborde del protector no se puede proteger adecuadamente.

El protector se debe sujetar firmemente a la herramienta eléctrica y posicionar para brindar la máxima seguridad, de manera que la cantidad de rueda expuesta hacia el operador sea mínima. El protector ayuda a proteger al operador contra los fragmentos de rueda rota, el contacto accidental con la rueda y las chispas que podrían incendiar la ropa.

El protector se debe instalar firmemente en la herramienta mecánica y se debe posicionar de manera que brinde la máxima seguridad, para que la cantidad de rueda que esté expuesta hacia el operador sea mínima. El protector ayuda a proteger al operador contra los fragmentos de rueda rota y el contacto accidental con la rueda.

Las ruedas se deben utilizar solamente para las aplicaciones recomendadas. Por ejemplo: no amuele con el lado de una rueda recortadora. Las ruedas recortadoras abrasivas están diseñadas para realizar amolado periférico; las fuerzas laterales aplicadas a estas ruedas pueden hacer que se rompan en pedazos.

Utilice siempre pestañas de rueda no dañadas que tengan el tamaño y la forma correctos para la rueda que usted seleccione. Las pestañas de rueda apropiadas soportan la rueda, con lo cual reducen la posibilidad de que la rueda se rompa. Las pestañas para las ruedas recortadoras pueden ser diferentes a las pestañas para las ruedas de amolar.

No utilice ruedas desgastadas de herramientas mecánicas más grandes. La rueda diseñada para una herramienta mecánica más grande no es adecuada para la velocidad más alta de una herramienta más pequeña y puede reventar.

Advertencias de seguridad específicas para las operaciones de corte con ruedas abrasivas:

No "atore" la rueda recortadora ni ejerza una presión excesiva. No intente lograr una profundidad de corte excesiva. Si se somete la rueda a una tensión excesiva, se aumenta la carga y la susceptibilidad de la rueda a torcerse o atorarse en el corte, así como la posibilidad de retroceso o rotura de la rueda.

No posicione el cuerpo en línea con la rueda que gira ni detrás de ella. Cuando la rueda, en el punto de operación, se esté moviendo alejándose del cuerpo del operador, el posible retroceso podría propulsar la rueda que gira y la herramienta mecánica directamente hacia usted.

Cuando la rueda se esté atorando o cuando se interrumpa un corte por cualquier motivo, apague la herramienta mecánica y sujétela en posición inmóvil hasta que la rueda se detenga por completo. No intente nunca sacar del corte la rueda recortadora mientras dicha rueda esté en movimiento, ya que si lo hace podría ocurrir retroceso. Investigue la causa del atoramiento de la rueda y tome medidas correctivas para eliminar dicha causa.

No reinicie la operación de corte en la pieza de trabajo. Deje que la rueda alcance su velocidad máxima y reentre cuidadosamente en el corte. La rueda se puede atorar, desviar o experimentar retroceso si la herramienta mecánica es rearrancada en la pieza de trabajo.

Soporte los paneles o cualquier pieza de trabajo muy grande para minimizar el riesgo de pellizcamiento y retroceso de la rueda. Las piezas de trabajo grandes tienden a combarse bajo su propio peso. Se deben colocar soportes debajo de la pieza de trabajo cerca de la línea de corte y cerca del borde de la pieza de trabajo a ambos lados de la rueda.

Tenga precaución adicional cuando haga un "corte de bolsillo" en paredes existentes u otras áreas ciegas. La rueda que sobresale podría cortar tuberías de gas o agua, cables eléctricos y objetos que pueden causar retroceso.

Advertencias de seguridad específicas para las operaciones de lijado:

No utilice papel de disco de lijar excesivamente grande. Siga las recomendaciones del fabricante cuando seleccione el papel de lija. El papel de lija más grande que sobresale de la zapata de lijar presenta un peligro de laceraciones y puede causar enganche, desgarradura del disco o retroceso.

Advertencias de seguridad adicionales

Un GFCI y los dispositivos de protección personal, como guantes de goma y calzado de goma de electricista, mejorarán más su seguridad personal.

No use herramientas mecánicas con capacidad nominal solamente para CA con una fuente de energía de CC. Aunque pueda parecer que la herramienta funciona correctamente, es probable que los componentes eléctricos de la herramienta con capacidad nominal para CA fallen y creen un peligro para el operador.

Mantenga los mangos secos, limpios y libres de aceite y grasa. Las manos resbalosas no pueden controlar de modo seguro la herramienta mecánica.

Desarrolle un programa de mantenimiento periódico de la herramienta. Cuando limpie una herramienta, tenga cuidado de no desmontar ninguna de sus partes, ya que los cables internos podrían reubicarse incorrectamente o pellizcarse, o los resortes de retorno de los protectores de seguridad podrían montarse incorrectamente. Ciertos agentes de limpieza, tales como gasolina, tetracloruro de carbono, amoníaco, etc., podrían dañar las piezas de plástico.

Riesgo de lesiones para el usuario. El cordón de energía debe recibir servicio de mantenimiento únicamente por un Centro de Servicio Dremel.

Utilice únicamente accesorios recomendados por Dremel. Es posible que otros accesorios no se ajusten apropiadamente y causen lesiones.

No use ruedas planas estándar para amolar con su cara. Las fuerzas laterales aplicadas a estas ruedas pueden hacer que se rompan en pedazos o que revienten.

No intente cortar material grande ni chapas de metal, ya que esta máquina no está diseñada para ser una máquina recortadora dedicada.

No recoja polvo (de madera o metal) con una aspiradora doméstica corriente. La pelusa y otras fibras que se encuentran en las aspiradoras domésticas son fácilmente combustibles y pueden iniciar un incendio.

No aspire ni recoja virutas metálicas ni polvo metálico con polvo de madera. Las virutas metálicas y el polvo metálico se ponen muy calientes durante el corte abrasivo e incendiarán el polvo de madera.

Al conectar la herramienta a sistemas de recolección y extracción de polvo, asegúrese de que dichos sistemas se conecten y utilicen de acuerdo con las instrucciones de la herramienta y la aspiradora. El uso correcto de recolección de polvo puede reducir los peligros relacionados con el polvo.

Al utilizar la herramienta con sistemas de recolección y extracción de polvo, vacíe el recipiente para polvo antes de comenzar el trabajo, frecuentemente durante el trabajo, después de completar el trabajo y antes de almacenar la herramienta. Tenga sumo cuidado al desechar el polvo, ya que los materiales en forma de partículas finas pueden ser explosivos.

No arroje el polvo a un fuego al descubierto. La combustión de las partículas finas de polvo podría ser explosiva.

Al realizar operaciones de lijado y preparación de superficies con la herramienta conectada a un sistema de recolección y extracción de polvo, esté alerta a los materiales que están generando el polvo. Puede ocurrir combustión causada por la mezcla de barnices, lacas, poliuretano, aceite o agua con las partículas de polvo si hay una descarga de electricidad estática, una chispa eléctrica o calor excesivo, lo cual puede producir un incendio en el sistema de extracción y recolección de polvo.

No utilice extracción de polvo para las operaciones en las que el polvo pueda incluir elementos que estén ardiendo, humeando o ardiendo lentamente sin llamas, tales como cenizas calientes o chispas. Podría ocurrir un incendio en el interior del tanque o la bolsa de la aspiradora. Es posible que el polvo arda lentamente sin llamas e incendie la aspiradora mucho después de completar el trabajo.

No utilice extracción de polvo con polvos explosivos, barniz, revestimientos de poliuretano, limpiadores o pinturas a base de aceite. Los motores eléctricos generan chispas que pueden incendiar el polvo o los vapores.

No utilice extracción de polvo cuando trabaje en metal. Las virutas procedentes del lijado, amolado o corte de metal pueden estar calientes y es posible que generen chispas, las cuales pueden derretir los adaptadores de plástico y las mangueras de aspiración, y podrían causar un incendio en el interior del tanque o la bolsa de la aspiradora.

⚠ ADVERTENCIA Cierta **polvo generado por el lijado, aserrado, amolado y taladrado mecánicos, y por otras actividades de construcción, contiene agentes químicos que se sabe que causan cáncer, defectos de nacimiento u otros daños sobre la reproducción. Algunos ejemplos de estos agentes químicos son:**

- Plomo de pinturas a base de plomo,
- Sílice cristalina de ladrillos y cemento y otros productos de mampostería, y
- Arsénico y cromo de madera tratada químicamente.

Su riesgo por causa de estas exposiciones varía, dependiendo de con cuánta frecuencia realice este tipo de trabajo. Para reducir su exposición a estos agentes químicos: trabaje en un área bien ventilada y trabaje con equipo de seguridad aprobado, como por ejemplo máscaras antipolvo que estén diseñadas especialmente para impedir mediante filtración el paso de partículas microscópicas.

Símbolos

IMPORTANTE: Es posible que algunos de los símbolos siguientes se usen en su herramienta. Por favor, estúdielos y aprenda su significado. La interpretación adecuada de estos símbolos le permitirá utilizar la herramienta mejor y con más seguridad.

Símbolo	Nombre	Designación/explicación
V	Volt	Tensión (potencial)
A	Ampere	Corriente
Hz	Hertz	Frecuencia (ciclos por segundo)
W	Watt	Potencia
kg	Kilogramo	Peso
min	Minuto	Tiempo
s	Segundo	Tiempo
∅	Diámetro	Tamaño de las brocas taladradoras, muelas, etc
n_0	Velocidad sin carga	Velocidad rotacional sin carga
n	Velocidad nominal	Máxima velocidad obtenible
.../min	Revoluciones o alternación por minuto	Revoluciones, golpes, velocidad de superficie, órbitas, etc., por minuto
0	Posición "off" (apagado)	Velocidad cero, par motor cero...
1, 2, 3, ... I, II, III,	Graduaciones del selector	Graduaciones de velocidad, par motor o posición. Un número más alto significa mayor velocidad
	Selector infinitamente variable con apagado	La velocidad aumenta desde la graduación de 0
	Flecha	Acción en la dirección de la flecha
	Corriente alterna	Tipo o una característica de corriente
	Corriente continua	Tipo o una característica de corriente
	Corriente alterna o continua	Tipo o una característica de corriente
	Construcción de clase II	Designa las herramientas de construcción con aislamiento doble.
	Terminal de toma de tierra	Terminal de conexión a tierra
	Símbolo de advertencia	Alerta al usuario sobre mensajes de advertencia
	Sello RBRC de Li-ion	Designa el programa de reciclaje de baterías de Li-ion
	Sello RBRC de Ni-Cd	Designa el programa de reciclaje de baterías de Ni-Cd
	Símbolo de lectura del manual	Alerta al usuario para que lea el manual
	Símbolo de uso de protección de los ojos	Alerta al usuario para que use protección de los ojos

Símbolos (continuación)

IMPORTANTE: Es posible que algunos de los símbolos siguientes se usen en su herramienta. Por favor, estúdielos y aprenda su significado. La interpretación adecuada de estos símbolos le permitirá utilizar la herramienta mejor y con más seguridad.



Este símbolo indica que esta herramienta está catalogada por Underwriters Laboratories.



Este símbolo indica que este componente está reconocido por Underwriters Laboratories.



Este símbolo indica que Underwriters Laboratories ha catalogado esta herramienta indicando que cumple con las normas estadounidenses y canadienses.



Este símbolo indica que esta herramienta está catalogada por la Canadian Standards Association.



Este símbolo indica que la Canadian Standards Association ha catalogado esta herramienta indicando que cumple con las normas estadounidenses y canadienses.



Este símbolo indica que Intertek Testing Services ha catalogado esta herramienta indicando que cumple con las normas estadounidenses y canadienses.



Este símbolo indica que esta herramienta cumple con la norma mexicana oficial (NOM).

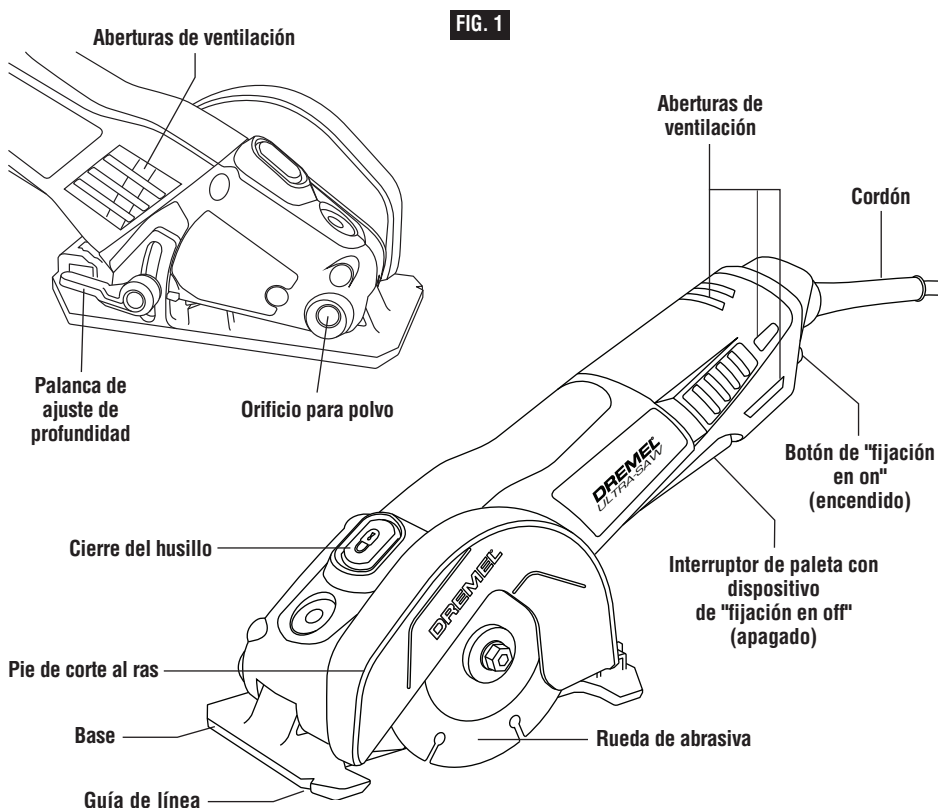
Descripción funcional y especificaciones

ADVERTENCIA Desconecte el enchufe de la fuente de energía antes de realizar cualquier ensamblaje o ajuste, o cambiar accesorios. Estas medidas de seguridad preventivas reducen el riesgo de arrancar la herramienta accidentalmente.

Dremel® Ultra-Saw US40

USO PREVISTO

Esta herramienta Dremel US40 está diseñada para realizar cortes en madera, plástico, metal, panel de yeso, tablero de fibra y baldosa utilizando los accesorios Ultra-Saw aplicables.



Número de modelo	US40
* Velocidad nominal	n 13.000/min
* Máx. diámetro de la rueda abrasiva	4 pulgadas de (102 mm) tipo 1
Amperaje nominal	7.5 A
Eje portaherramienta de la rueda	0.433 pulgadas (11 mm)
Máxima profundidad de corte	3/4 pulgadas de (21.5 mm)
Tensión nominal	120 V ~ 60Hz

* La velocidad nominal del accesorio debe ser igual o mayor que la velocidad nominal de la herramienta. No exceda el diámetro de rueda recomendado.

NOTA: Para obtener las especificaciones de la herramienta, consulte la placa del fabricante colocada en la herramienta.

Ensamblaje

⚠ ADVERTENCIA Desconecte el enchufe de la fuente de energía antes de realizar cualquier ensamblaje o ajuste, o cambiar accesorios. Estas medidas de seguridad preventivas reducen el riesgo de arrancar la herramienta accidentalmente.

El perno de fijación que sujeta la rueda de corte a la herramienta se debe girar EN EL SENTIDO DE LAS AGUJAS DEL RELOJ para aflojarlo y EN SENTIDO CONTRARIO AL DE LAS AGUJAS DEL RELOJ para apretarlo (Fig. 3). Este perno es de rosca inversa comparado con los sujetadores roscados estándar.

La Dremel Saw-Max cuenta con dos posiciones de la rueda de corte: Una posición en la que se utiliza una rueda plana estándar para todos los cortes típicos rectos y por inmersión (Fig. 4), y una segunda posición opcional de la rueda para hacer cortes al ras a lo largo del piso o contra una pared (Fig. 5).

⚠ ADVERTENCIA No intente montar dos ruedas de corte en la herramienta al mismo tiempo.

CUTTING WHEEL ASSEMBLY

1. Gire el PERNO DE FIJACIÓN con la llave de ajuste suministrada en el sentido de las agujas del reloj y retire dicho PERNO DE FIJACIÓN y la ARANDELA EXTERIOR (Fig. 2). Si el eje se mueve mientras se intenta aflojar el perno de fijación, presione el cierre del husillo (Fig. 2).

2. **ENSAMBLAJE DE LA RUEDA PLANA ESTÁNDAR:** Deslice la rueda detrás de la cara del protector y móntela contra la ARANDELA INTERIOR en el eje (Fig. 4).

ENSAMBLAJE DE LA RUEDA DE CORTE AL RAS: Coloque la rueda de corte al ras contra la ARANDELA INTERIOR en el eje del husillo. (Fig. 5).

3. Reinstale la ARANDELA EXTERIOR y apriete el perno de fijación con los dedos.

4. Presione el cierre del husillo para fijar el eje y apriete el PERNO DE FIJACIÓN en sentido contrario al de las agujas del reloj hasta que esté apretado con la llave de ajuste suministrada.

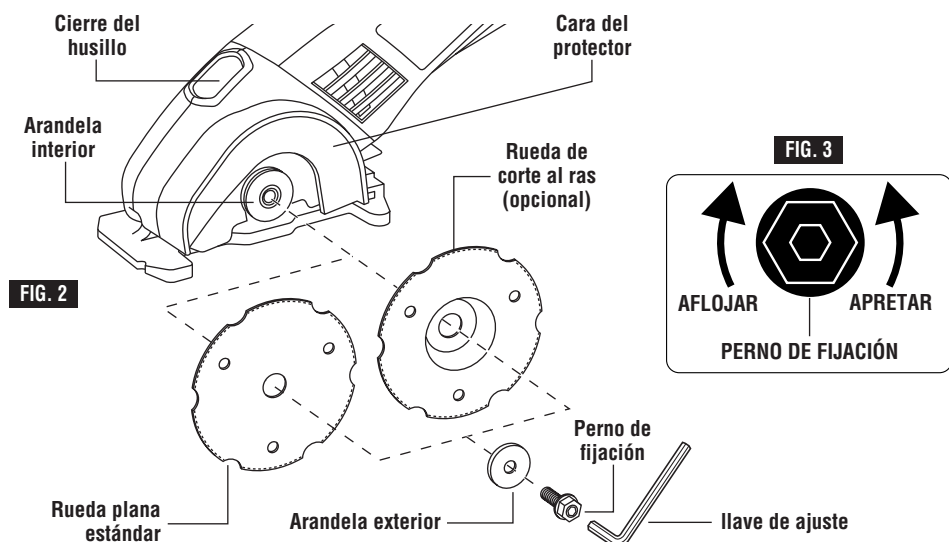


FIG. 4

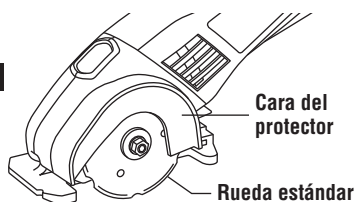
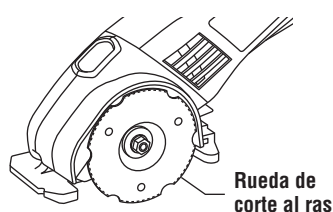
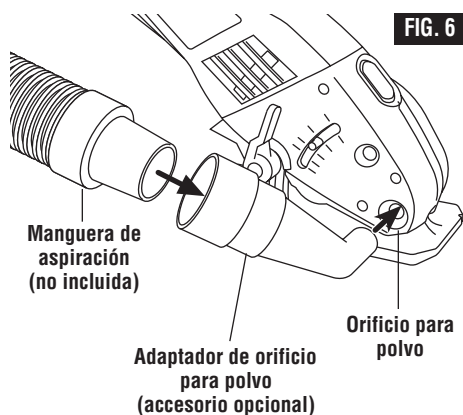


FIG. 5



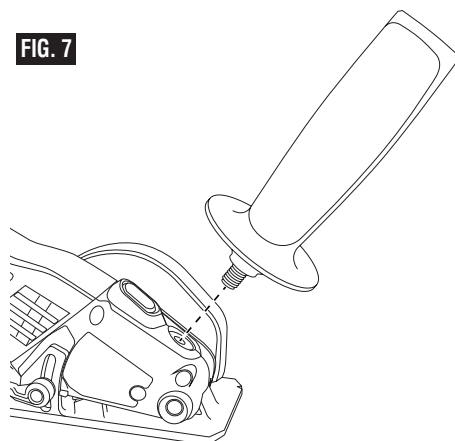
EXTRACCIÓN DE POLVO (accesorio opcional)

Su herramienta está equipada con un orificio para polvo para la extracción de polvo. Para utilizar este dispositivo, inserte el adaptador de orificio para polvo en el orificio para polvo, conecte la manguera de aspiración al adaptador y luego conecte el extremo opuesto de la manguera a una aspiradora de taller (Fig. 6).



MANGO LATERAL

El mango lateral se utiliza para controlar y equilibrar la herramienta durante las operaciones. El mango se debe enroscar en la carcasa delantera (Fig. 7). Alternativamente, el cuerpo de la herramienta se puede agarrar con ambas manos para tener un mayor control.



Introducción

Gracias por comprar la Dremel US40.

Esta herramienta fue diseñada para realizar una amplia variedad de proyectos en el hogar y alrededor de éste. La Dremel US40 completa las tareas de manera más rápida y eficiente que una serie de otras herramientas que se necesitarían para completar un trabajo o proyecto. Esta herramienta también es compacta y ergonómica, y corta prácticamente todos los materiales comunes.

Después de utilizar su nueva Dremel US40, usted comprobará que es la herramienta de tamaño adecuado para realizar los proyectos con una fracción del tamaño de una sierra circular tradicional. Con una línea completa de accesorios, la herramienta corta a través de prácticamente cualquier material común que se encuentra en el hogar: madera, plástico, metal, panel de yeso y baldosa. La herramienta también cuenta con dos

posiciones de la rueda de corte, una posición utilizando una rueda plana estándar para todos los cortes rectos típicos y una segunda posición para realizar cortes al ras a lo largo de un piso o contra una pared.

Además de versatilidad, la Dremel US40 provee una excelente línea de visión para realizar cortes precisos y confiables, con lo cual usted logrará cortes precisos al primer intento y evitará desperdiciar tiempo o material.

Visite www.dremel.com para obtener más información sobre lo que puede hacer con su nueva herramienta Dremel.

USO PREVISTO

Esta herramienta Dremel US40 está diseñada para realizar cortes rectos en madera, plástico, metal, panel de yeso, panel de aglomerado y baldosa usando los accesorios aplicables recomendados por Dremel.

Instrucciones de funcionamiento

⚠ ADVERTENCIA Agarre la herramienta con las dos manos cuando arranque la herramienta, ya que el par de fuerzas del motor puede hacer que la herramienta se tuerza.

Arranque la herramienta antes de aplicarla a la pieza de trabajo. Levante la herramienta de la pieza de trabajo antes de soltar el interruptor. No encienda y apague la herramienta con el interruptor mientras la herramienta está sometida a carga; esto acortará enormemente la vida del interruptor.

INTERRUPTOR DE PALETA CON DISPOSITIVO DE "FIJACIÓN EN OFF" (APAGADO)

El interruptor de paleta permite al operador controlar las funciones del interruptor de "Fijación en OFF" (apagado) y "ON/OFF" (encendido y apagado).

PARA DESBLOQUEAR EL INTERRUPTOR Y ENCENDER LA HERRAMIENTA: Presione hacia delante la palanca de suelta del interruptor de "Fijación en OFF" (apagado) para desbloquear el interruptor de paleta y luego oprima dicho interruptor de paleta (Fig. 7).

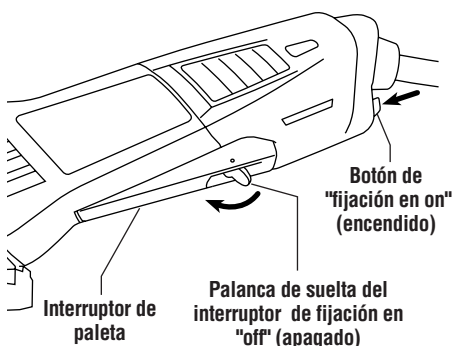
PARA APAGAR LA HERRAMIENTA: Reduzca la presión sobre la palanca de paleta. El interruptor está accionado por resorte y regresará a la posición "OFF" (apagado) automáticamente (Fig. 7).

BOTÓN DE "FIJACIÓN EN ON" (ENCENDIDO)

El dispositivo de "Fijación en ON", incorporado en el interruptor de paleta, es práctico para operaciones prolongadas.

PARA FIJAR EL INTERRUPTOR EN LA POSICIÓN "ON" (ENCENDIDO): Después de activar el interruptor de paleta, oprima completamente el botón de "Fijación en

FIG. 8



ON" que se encuentra en la parte posterior de la herramienta y suelte el interruptor de paleta (Fig. 7).

PARA APAGAR LA HERRAMIENTA: Oprima y suelte el interruptor de paleta (Fig. 7).

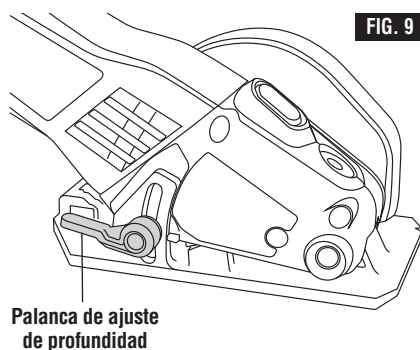
Con el fin de evitar los retrocesos (una situación donde la rueda quiere saltarse otro material), se recomienda que haga los cortes en el mismo sentido del giro de la rueda.

⚠ ADVERTENCIA Es importante que lea y entienda la sección de este manual denominada "Retroceso y advertencias relacionadas".

AJUSTE DE PROFUNDIDAD

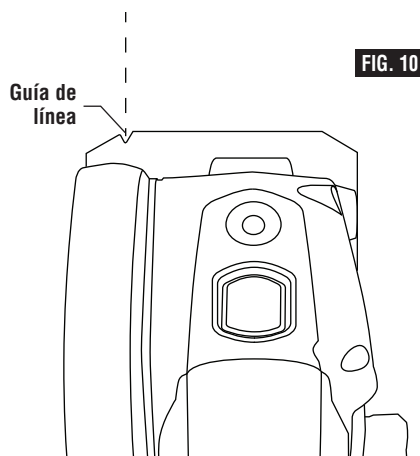
Desconecte el enchufe de la fuente de alimentación. Afloje la palanca de ajuste de profundidad ubicada en el lado derecho de la herramienta. El pie está accionado por resorte y bajará automáticamente (Fig. 8).

Apriete la palanca en sentido contrario al de las agujas del reloj hasta el ajuste de profundidad deseado. Compruebe la profundidad deseada (Fig. 8).



GUIA DE LINEA

La muesca de la guía de corte proporcionará una línea de corte aproximada (Fig. 9). Realice cortes de prueba en madera de desecho para verificar la línea de corte real.



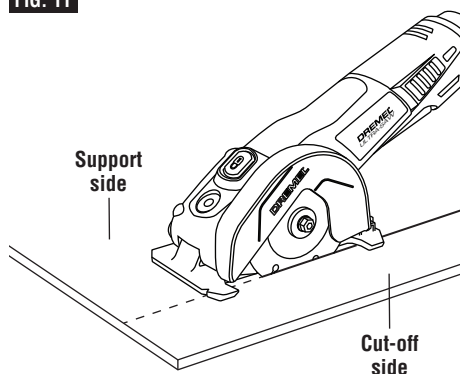
CORTES DE TROCEADO GENERALES

Mantenga un agarre firme y accione el interruptor con una acción contundente. No fuerce nunca la herramienta. Utilice una presión ligera y continua (Fig. 11).

ADVERTENCIA Después de completar un corte y haber soltado el interruptor, tenga en cuenta el tiempo necesario que toma para que la rueda se detenga por completo mientras pierde velocidad hasta detenerse. NO deje la herramienta hasta que el accesorio se haya detenido por completo. Si una hoja que esté girando entra en contacto con una superficie dura, hará que la herramienta se desvíe hacia atrás y quizás le cause lesiones al operador. El contacto con la ropa puede hacer que la hoja se atore y corte al operador.

1. Asegúrese de que el material que se vaya a cortar esté firmemente sujeto en una prensa de tornillo o un dispositivo de fijación antes de intentar realizar el corte.
2. Mantenga el cuerpo posicionado en cualquiera de los dos lados de la rueda, pero no en línea con ésta. Es importante soportar la herramienta apropiadamente y posicionar el cuerpo de manera que se minimice la exposición del mismo en caso de un posible atoramiento y retroceso de la rueda.

FIG. 11



3. Agarre firmemente la herramienta mientras corta y esté siempre listo y en condiciones de controlar el corte.
4. Evite atorar, girar o pellizcar la rueda con la pieza de trabajo, o aplicar de alguna otra manera una presión lateral excesiva sobre la rueda.

CORTE DE BALDOSA

Asegúrese de que el material que se vaya a cortar esté firmemente sujeto en una prensa de tornillo o un dispositivo de fijación antes de intentar el corte.

Encienda la herramienta y espere a que la rueda alcance su velocidad máxima. En el caso de cortes que se extiendan hasta el borde de una baldosa, corte completamente a través del borde o bordes a lo largo de la línea de corte.

Estré la baldosa primero a lo largo de la línea de corte, haciendo múltiples pasadas para cortar progresivamente a través de la baldosa.

Esta herramienta no utiliza ruedas diseñadas para amolar caras. Si su corte requiere un borde acabado liso, utilice una herramienta apropiada para acabar baldosas con el fin de refinar el borde de la baldosa.

CORTE DE METAL

Es posible realizar cortes limitados en material pequeño, tal como tubería de cobre, conducto, barra de refuerzo, varilla roscada, estantes de alambre recubierto, calefacción, ventilación y aire acondicionado (HVAC), chapa de aluminio, canaleta e imposta.

Cuando corte, trabaje con un avance moderado, adaptado al material que se esté cortando. No ejerza presión lateral sobre la rueda de corte, ni incline u oscile la herramienta.

Cuando corte perfiles y barra cuadrada, lo mejor es comenzar en la sección transversal más pequeña. Siga siempre las precauciones para el retroceso.

No aplique presión lateral a la rueda de corte para reducir su velocidad. La herramienta se debe usar siempre de manera que las chispas se dirijan alejándose del usuario.

Después de cada uso, retire la rueda y limpie el interior y el exterior del protector con aire comprimido. El mantenimiento preventivo del protector reducirá la probabilidad de un accidente.

CORTES POR INMERSIÓN O INTERIORES

El tamaño y la versatilidad de la Dremel US40 la hacen una opción excelente para realizar cortes por inmersión o interiores en una pieza de trabajo, como por ejemplo pisos, paneles o revestimientos laterales.

1. Marque la superficie que vaya a cortar con las líneas de corte deseadas.
2. Afloje la palanca de ajuste de profundidad para que el pie accionado por resorte se suelte y vaya al ajuste de profundidad cero. Deje floja la palanca de ajuste de profundidad durante este corte.
3. Apoye el pie de la herramienta sobre las piezas de trabajo y alinee la rueda de la herramienta con la línea de corte (Fig. 12).
4. Mientras agarra firmemente la herramienta, presione el interruptor de paleta y deje que la rueda de la herramienta alcance su velocidad máxima.
5. Sumerja / baje lentamente la herramienta y la rueda al interior de la pieza de trabajo (Fig. 13).
6. Guíe la herramienta hacia delante y complete el corte.
7. Suelte el interruptor de paleta y deje que la herramienta se detenga por completo.
8. Retire la herramienta de la pieza de trabajo.
9. Repita los pasos 3-8 según se requiera para completar los cortes.

FIG. 12

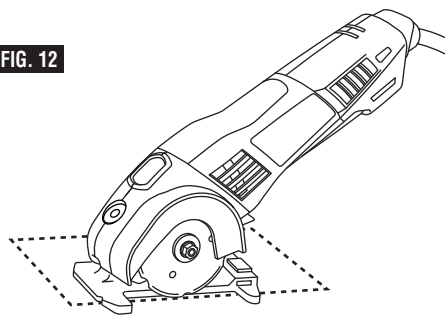
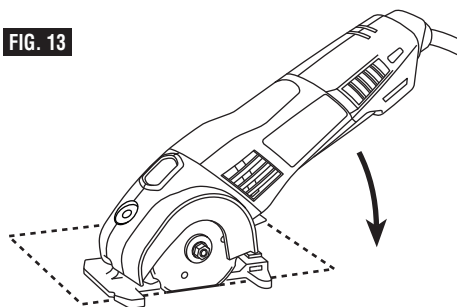


FIG. 13

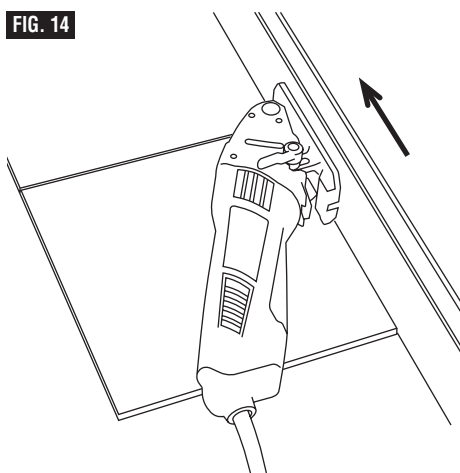


CORTES AL RAS

Considere primero la altura deseada del corte al ras. En el caso de una instalación de piso, añada el grosor del adhesivo para pisos, el propio piso y toda base de piso u otro material que vaya a añadir grosor al piso acabado (Fig. 14).

1. Instale la rueda de corte al ras en la herramienta tal y como se describe en "Ensamblaje de la rueda de corte al ras", página 48.
2. Ajuste la profundidad de la rueda al ajuste de profundidad deseado.
3. Voltee la herramienta sobre uno de sus lados de manera que el pie de corte al ras descansa contra el piso.
4. Agarre firmemente la herramienta. Encienda la herramienta y deje que alcance su velocidad máxima antes de penetrar en la pieza de trabajo.
5. Complete el corte y retire la herramienta de la pieza de trabajo antes de apagar la herramienta.

FIG. 14



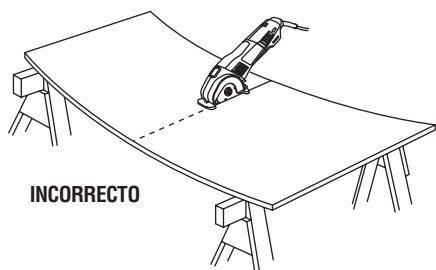
CORTE DE PLANCHAS GRANDES

Cuando haga cortes de más de 2 pies de longitud en material tal como madera contrachapada, es posible que la herramienta se caliente y que además quemee el material. Para evitar esto, deje que la herramienta descansa entre cortes.

Las planchas grandes y los tableros largos se comban o se doblan según el apoyo. Si usted intenta cortar sin nivelar y sin apoyar la pieza adecuadamente, la rueda tenderá a atascarse, produciendo RETROCESO y una sobrecarga en el motor (Fig. 15).

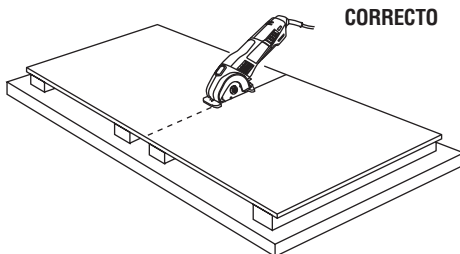
Apoye el panel o el tablero cerca del corte, tal como se

FIG. 15



muestra en la (Fig. 16). Asegúrese de ajustar la profundidad de corte para cortar la plancha solamente y no la mesa o el banco de trabajo. Las tablas de dos por cuatro pulgadas utilizadas para elevar y apoyar la pieza de trabajo deben colocarse de manera que los lados más anchos soporten la pieza de trabajo y descansen en la mesa o en el banco. No apoye la pieza de trabajo en los lados estrechos, ya que esta disposición es inestable. Si la plancha o el tablero a cortar es demasiado grande para una mesa o un banco de trabajo, utilice los tablas de apoyo de dos por cuatro pulgadas sobre el suelo y fije la pieza de trabajo.

FIG. 16

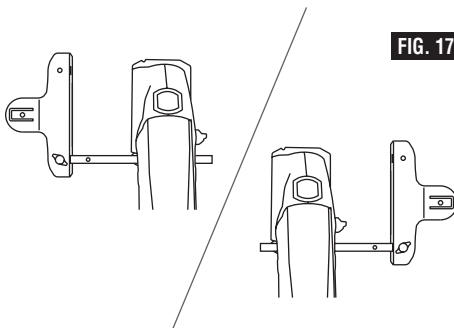


GUÍA DE BORDE RECTO (aditamento opcional)

La guía de borde recto se utiliza para realizar cortes paralelos al borde de la pieza de trabajo y se puede utilizar desde cualquiera de los dos lados de la placa-base para cortar en el lado izquierdo o derecho del material.

NOTA: utilice la guía de borde recto en el lado izquierdo o el lado derecho de la herramienta, posicione la guía de la manera que se muestra en la ilustración (Fig. 17).

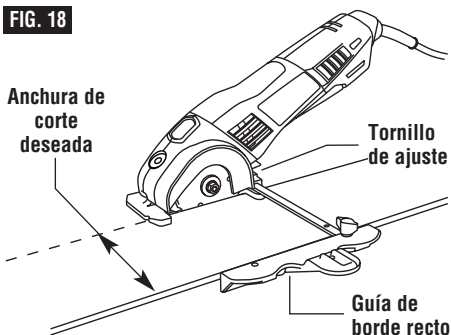
FIG. 17



CORTES AL HILO (aditamento opcional)

Los cortes al hilo son fáciles de hacer con una guía de borde recto (Fig. 18). La guía de borde recto está disponible como accesorio. Para instalar la guía de borde recto, inserte el tope-guía a través de las ranuras ubicadas en el pie hasta la anchura deseada, de la manera que se muestra en la ilustración, y sujete firmemente la guía de borde recto con el tornillo de ajuste.

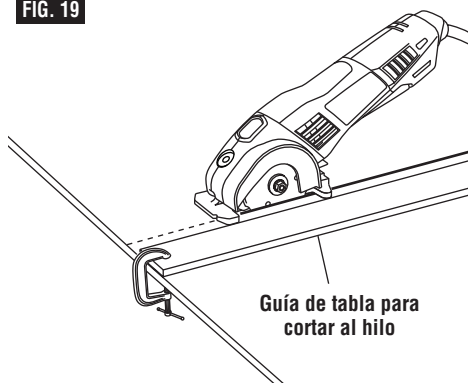
FIG. 18



GUÍA DE TABLA PARA CORTAR AL HILO

Cuando corte al hilo láminas grandes, es posible que la guía de borde recto no permita la anchura de corte deseada. Sujete con una abrazadera o clave un pedazo recto de madera de 1 pulgada (25 mm) en la lámina como guía (Fig. 19). Utilice el lado izquierdo del pie

FIG. 19

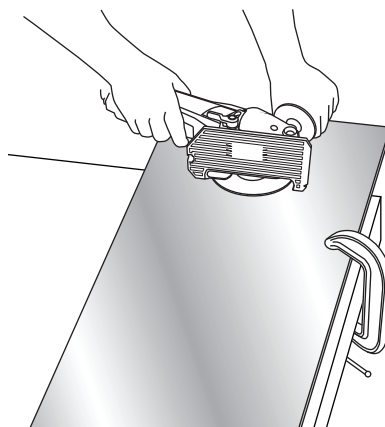


PREPARACIÓN DE LA SUPERFICIE (para uso con hojas tales como la US400 y la US410)

Asegúrese de que el material que se vaya a preparar esté firmemente sujeto en una prensa de tornillo o en un dispositivo de fijación antes de intentar preparar la superficie.

1. Deje que la herramienta alcance su velocidad máxima antes de tocar la superficie de trabajo con ella.
2. Aplique una presión mínima a la superficie de trabajo, dejando que la herramienta funcione a alta velocidad. La tasa de acabado de la superficie es máxima cuando la herramienta funciona a alta velocidad.
3. Mueva continuamente la herramienta con un movimiento hacia delante y hacia atrás para evitar crear acanaladuras en la superficie de trabajo.
4. Retire la herramienta de la superficie de trabajo antes de apagarla. Espere a que la herramienta deje de rotar antes de dejarla en cualquier lugar.

FIG. 20



Información de mantenimiento

Servicio

ADVERTENCIA El mantenimiento preventivo realizado por personal no autorizado puede dar lugar a la colocación incorrecta de cables y componentes internos que podría constituir un peligro serio. Recomendamos que todo el servicio de las herramientas sea realizado por un Centro de servicio de fábrica Dremel.

ESCOBILLAS DE CARBONO

Las escobillas y el conmutador de esta herramienta han sido diseñados para brindar muchas horas de servicio confiable. Para mantener la máxima eficiencia del motor, recomendamos que las escobillas reciban servicio de mantenimiento por un Centro de Servicio Dremel.

Limpieza

ADVERTENCIA Para evitar accidentes desconecte siempre la herramienta de la fuente de energía antes de la limpieza o de la realización de cualquier mantenimiento. La herramienta se puede limpiar más eficazmente con aire comprimido seco. Use gafas de seguridad siempre que limpie herramientas con aire comprimido.

Las aberturas de ventilación y las palancas de interruptor deben mantenerse limpias y libres de materias extrañas. No intente limpiar introduciendo objetos puntiagudos a través de las aberturas.

PRECAUCION Ciertos agentes de limpieza y disolventes dañan las piezas de plástico. Algunos de estos son: gasolina, tetracloruro de carbono, disolventes de limpieza clorados, amoníaco y detergentes domésticos que contienen amoníaco.

Cordones de extensión

ADVERTENCIA Si es necesario un cordón de extensión, se debe usar un cordón con conductores de tamaño adecuado que sea capaz de transportar la corriente necesaria para la herramienta. Esto evitará caídas de tensión excesivas, pérdida de potencia o recalentamiento. Las herramientas conectadas a tierra deben usar cordones de extensión de 3 hilos que tengan enchufes de 3 terminales y receptáculos para 3 terminales.

NOTA: Cuanto más pequeño es el número de calibre, más grueso es el cordón.

TAMAÑOS RECOMENDADOS DE CORDONES DE EXTENSION HERRAMIENTAS DE 120 V CORRIENTE ALTERNA

Capacidad nominal en amperes de la herramienta	Tamaño del cordón en A.W.G.				Tamaños del cable en mm ²			
	Longitud del cordón en pies				Longitud del cordón en metros			
	25	50	100	150	15	30	60	120
3-6	18	16	16	14	0,75	0,75	1,5	2,5
6-8	18	16	14	12	0,75	1,0	2,5	4,0
8-10	18	16	14	12	0,75	1,0	2,5	4,0
10-12	16	16	14	12	1,0	2,5	4,0	—
12-16	14	12	—	—	—	—	—	—

Accesorios Dremel US40

ADVERTENCIA Utilice únicamente accesorios de alto rendimiento Dremel SM20. Otros accesorios no están diseñados para esta herramienta y pueden causar lesiones corporales o daños materiales.



Hoja para preparar superficies metálicas US400

Rueda abrasiva no tejida para la remoción pesada de óxido y la remoción de pintura en metal.



Hoja para preparar superficies de concreto US410

Rueda incrustada con diamantes para la remoción tanto de adhesivo para baldosa como de pintura en concreto y ladrillo.



Rueda de carburo para madera y plástico US500

Rueda de corte abrasivo con grano de carburo que está diseñada para cortar madera y otros materiales blandos.



Rueda de corte para metal US510


Rueda de corte abrasivo de Tipo 1 reforzada que está diseñada para cortar una variedad de materiales, tales como metal y plástico.


**Rueda de corte para mampostería
US520**

Rueda de corte abrasivo de Tipo 1 reforzada que está diseñada para hacer cortes de estrías en mampostería y piedra.


**Rueda de diamante para baldosa
US540**

Rueda abrasiva de diamante tipo 1A (ISO 41) que está diseñada para hacer cortes en materiales duros, tales como porcelana y baldosa, y hacer cortes de surcos en ladrillo y concreto.


**Rueda de carburo para cortar al
ras madera y plástico
US600**

Rueda de corte abrasivo excéntrica Tipo 27A (ISO 42) con grano de carburo que está diseñada para cortar al ras madera y otros materiales blandos.

		Cutting				
		US500	US510	US520	US540	US600
		Rueda de carburo	Rueda de corte multiuso	Rueda de corte para mampostería	Rueda de diamante	Rueda de corte al ras
Material						
Madera	Madera contrachapada	X				X
	Pino	X				X
	Popula	X				X
	Roble	X				X
	Materiales compuestos (tablero de hebras orientadas [OSB], panel de aglomerado)	X				X
	Pisos laminados	X				X
Panel de yeso	Panel de yeso	X				X
Metal	Tubería de cobre		X			
	Conducto		X			
	Estantes de alambre revestido		X			
	Calefacción, ventilación y aire acondicionado (HVAC)		X			
	Chapa de Al, canaleta, revestimiento		X			
	Chapa metálica gal.		X			
	Varilla roscada		X			
Plástico	Plexiglás (lámina de plástico)	X	X			X
	Paneles laterales de vinilo canaleta	X	X			X
	Tubería de PVC	X	X			X
Baldosa	Baldosa de pared				X	
	Baldosa de piso				X	
Mampostería	Revestimiento de ladrillos			X	X	
	Fibrocemento Adoquines			X	X	
	pavés			X		
Otro	Fibra de vidrio	X				X

Preparación de la superficie			
		US400	US410
Aplicación	Material	Preparación de superficies metálicas	Preparación de superficies de concreto
Remoción de óxido	Metal	X	
	Metal	X	
Remoción de pintura	Concreto		X
	Mampostería		X
	Ladrillo		X
Remoción de adhesivo para baldosa	Subpiso		X
	Fibrocemento		X
Preparación de revestimientos del piso	Cemento		X

Resolución de problemas

ADVERTENCIA

Lea primero el manual de instrucciones! Retire el enchufe de la fuente de alimentación antes de hacer ajustes o ensamblar la rueda.

PROBLEMA	<p>DIFICULTAD: LA HERRAMIENTA NO ARRANCA</p> <ol style="list-style-type: none"> 1. El cable de alimentación no está enchufado. 2. El fusible de la fuente de alimentación se ha fundido o el cortacircuito de la fuente de alimentación ha saltado. 3. Cable de alimentación dañado. 4. Interruptor quemado. 5. El interruptor de paleta no enciende la herramienta.
REMEDIO	<ol style="list-style-type: none"> 1. Enchufe la herramienta. 2. Reemplace el fusible o reajuste el cortacircuito que ha saltado. 3. Inspeccione el cable de alimentación para determinar si está dañado. Si dicho cable está dañado, haga que un Centro de Servicio Dremel lo reemplace. 4. Haga que un Centro de Servicio Dremel cambie el interruptor. 5. El dispositivo de fijación en apagado no está activado.
PROBLEMA	<p>DIFICULTAD: LA RUEDA NO ALCANZA SU VELOCIDAD MÁXIMA</p> <ol style="list-style-type: none"> 1. El cordón de extensión es demasiado ligero o demasiado largo. 2. Voltaje de red bajo.
REMEDIO	<ol style="list-style-type: none"> 1. Reemplácelo con un cordón adecuado. 2. Contacte a la compañía eléctrica.
PROBLEMA	<p>DIFICULTAD: VIBRACIÓN EXCESIVA</p> <ol style="list-style-type: none"> 1. Rueda desbalanceada. 2. La pieza de trabajo no está sujeta con abrazaderas ni soportada apropiadamente.
REMEDIO	<ol style="list-style-type: none"> 1. Deseche la rueda y use una rueda diferente. 2. Sujete con abrazaderas o soporte la pieza de trabajo de la manera que se muestra en las páginas 52 y 53.
PROBLEMA	<p>DIFICULTAD: EL CORTE SE ATORA, QUEMA, DETIENE EL MOTOR AL CORTAR AL HILO</p> <ol style="list-style-type: none"> 1. Rueda desafilada. 2. Tabla alabeada. 3. La rueda se atora. 4. Soporte inapropiado de la pieza de trabajo.
REMEDIO	<ol style="list-style-type: none"> 1. Deseche la rueda y use una rueda diferente. O retire los residuos del grano de carburo con un cepillo de alambre. 2. Asegúrese de que el lado cóncavo o hueco esté orientado hacia "ABAJO" y avance lentamente, vea la (página 52). 3. Ensamble la rueda y apriete el perno de fijación siguiendo las "Instrucciones de ensamblaje", vea la (página 48). O intente solamente hacer cortes rectos. 4. Sujete con abrazaderas o soporte la pieza de trabajo de la manera que se muestra en las páginas 52 y 53.
PROBLEMA	<p>DIFICULTAD: LA RUEDA MARCA EL PISO MIENTRAS SE REALIZA EL CORTE AL RAS</p> <ol style="list-style-type: none"> 1. Rueda doblada o arqueada.
REMEDIO	<ol style="list-style-type: none"> 1. Deseche la rueda y use una rueda diferente.

Garantía limitada de Dremel®

Su producto Dremel está garantizado contra defectos de material o de fabricación durante un período de dos años a partir de la fecha de compra. En caso de que un producto no se ajuste a esta garantía escrita, por favor, tome las medidas siguientes:

1. NO devuelva el producto al lugar de compra.
2. Empaquete el producto cuidadosamente y solo, sin otros artículos, y envíelo con el porte pagado junto con:
 - A. Una copia de la prueba de compra fechada (por favor, conserve una copia para usted).
 - B. Una explicación por escrito de la naturaleza del problema.
 - C. Su nombre, dirección y número de teléfono a:

ESTADOS UNIDOS
Dremel Service Center
4915 21st Street
Racine, WI 53406

O

CANADÁ
 Giles Tool Agency
 47 Granger Av.
 Canada M1K 3K9 1-416-287-3000

FUERA DE LOS TERRITORIOS CONTINENTALES DE LOS EE.UU.

Vea al distribuidor local o escriba a Dremel, 4915 21st Street Racine, WI 53406

Recomendamos que el paquete sea asegurado contra pérdida o daños durante el transporte por los cuales no podemos ser responsables.

Esta garantía tiene validez únicamente para el comprador original inscrito. LOS DAÑOS AL PRODUCTO PRODUCIDOS POR MANIPULACION INCORRECTA, ACCIDENTE, ABUSO, NEGLIGENCIA, REPARACIONES O ALTERACIONES NO AUTORIZADAS, ACCESORIOS NO APROBADOS U OTRAS CAUSAS NO RELACIONADAS CON PROBLEMAS DEL MATERIAL O LA FABRICACION NO ESTAN CUBIERTOS POR ESTA GARANTIA.

Ningún empleado, agente, distribuidor, ni ninguna otra persona está autorizado a dar ninguna garantía en nombre de Dremel. Si la inspección de Dremel demuestra que el problema fue causado por problemas con el material o la fabricación dentro de los límites de la garantía, Dremel reparará o reemplazará el producto gratuitamente y devolverá el producto con el porte pagado. Las reparaciones necesarias debido al desgaste normal o al abuso, o las reparaciones de productos que se encuentren fuera del período de garantía, en caso de que se puedan realizar, se cobrarán a precios de fábrica normales.

DREMEL NO DA NINGUNA OTRA GARANTIA DE NINGUN OTRO TIPO, EXPRESA O IMPLICITA, Y TODAS LAS GARANTIAS IMPLICITAS DE COMERCIABILIDAD E IDONEIDAD PARA UN PROPOSITO ESPECIFICO QUE EXCEDEN LA OBLIGACION MENCIONADA ANTERIORMENTE QUEDAN POR LA PRESENTE RECHAZADAS POR PARTE DE DREMEL Y ESTAN EXCLUIDAS DE ESTA GARANTIA LIMITADA.

Esta garantía le confiere a usted derechos legales específicos y es posible que usted también tenga otros derechos que varían de un estado a otro. La obligación del garante consiste únicamente en reparar o reemplazar el producto. El garante no es responsable de ningún daño incidental o emergente debido a cualquiera de dichos defectos alegados. Algunos estados no permiten la exclusión o limitación de los daños incidentales o emergentes, por lo que es posible que las limitaciones o la exclusión anteriores no sean aplicables en el caso de usted.

Para precios y cumplimiento de la garantía en los territorios continentales de los Estados Unidos, póngase en contacto con el distribuidor local Dremel.

Exportado por: © Robert Bosch Tool Corporation Mt. Prospect, IL 60056 -2230, E.U.A.

Importado a México por: Robert Bosch, S. de R.L. de C.V.
 Calle Robert Bosch No. 405 - 50071 Toluca, Edo. de Méx. - México
 Tel. 052 (722) 279 2300 ext 1160 / Fax. 052 (722) 216-6656

