

Fence Extension Kit Wire SnapPanel Extension Kit Instructions



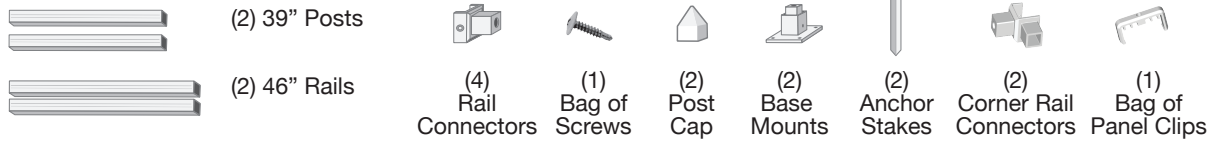
IF YOU CAN DREAM IT, YOU CAN BUILD IT.

Part Number: SEK-3x4W

Directions for constructing your SnapFence™ Extension Kit.

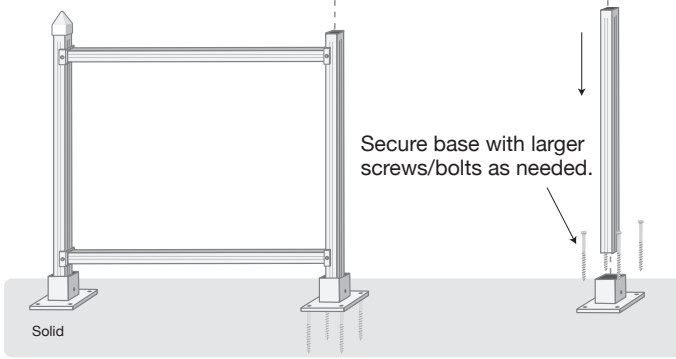
Note: Extension Kits are designed to be added to an existing Starter Kit #SK-3x8W

1) Unpack box and separate parts.



Solid Mount:

2) Measure 48" from center of installed SnapFence™ post to center of post to be added.

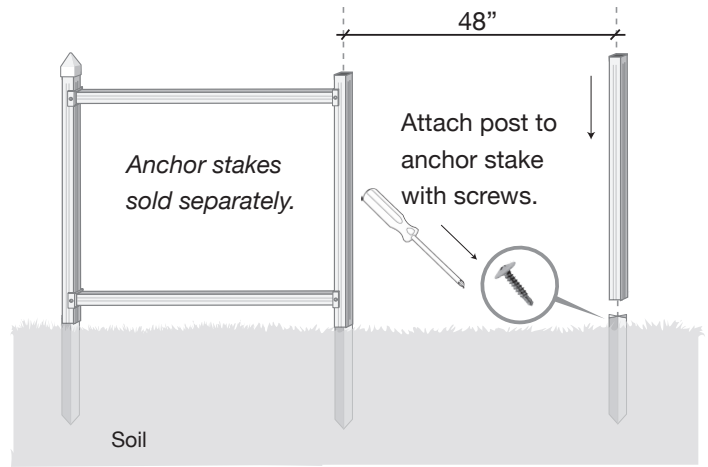


Attach post to base mount with screws. Secure base mount to existing solid surface using holes provided.

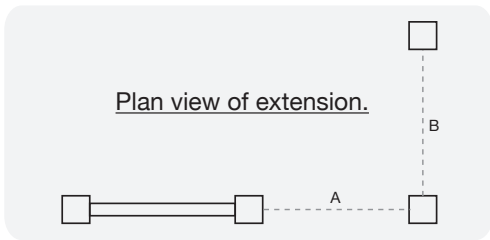
Note - use a larger type of screw or bolt as needed to secure to solid surfaces.

Soil Mount:

2) Drive anchor stake at 48" from center of installed SnapFence™ post to center of post to be added.



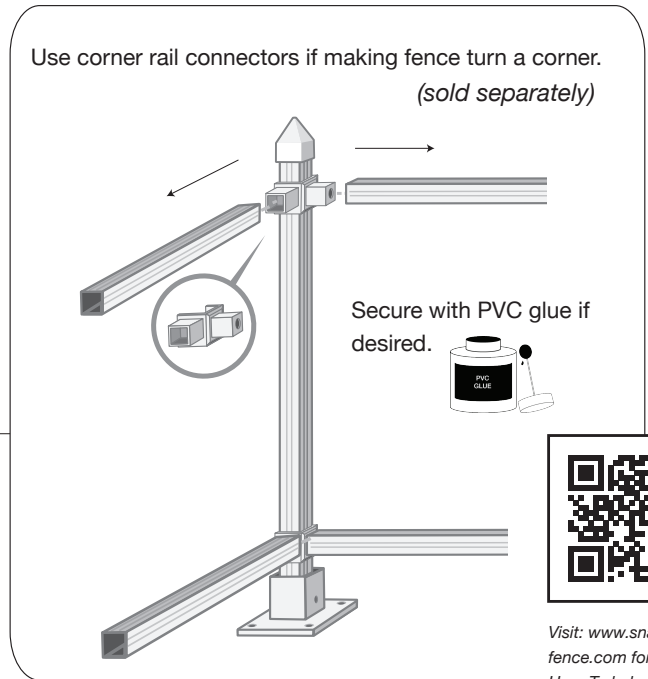
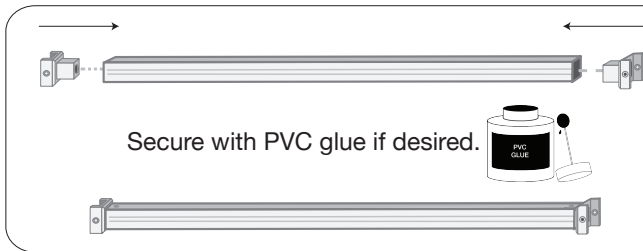
OR



Added post can be in line with the installed section of fence (A) or at a right angle to make a corner (B). (See above plan view.)

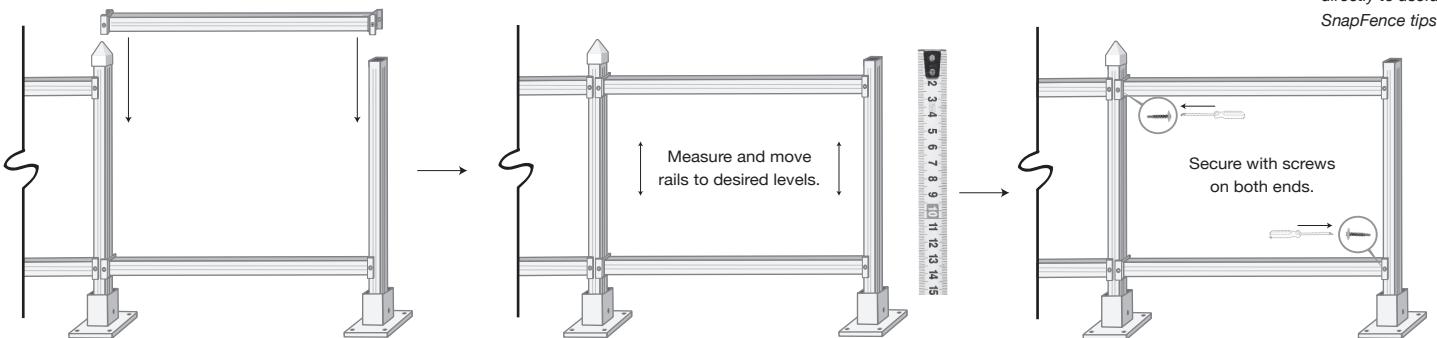
>You will have (1) 39" Post, (1) Base Mount & (1) Post Cap leftover if using with a pre-existing SnapFence system.

3) Attach rail connectors to each end of rails (46").

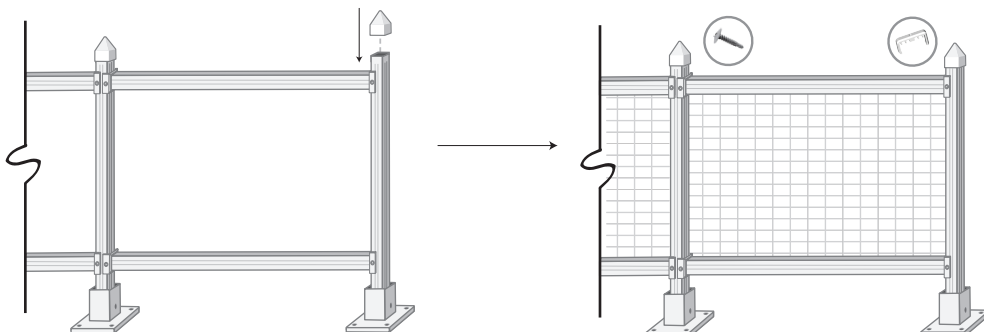


Visit: www.snap-fence.com for more How-To help. Scan the QR code to take you directly to useful SnapFence tips.

4) Snap rail sections onto posts (39"). Measure and move rails to desired levels. Secure with screws on both ends.



5) Push on post caps. Attach with PVC glue if desired.



Continue to add to your project with the SnapFence™ Extension Kit, (sold separately.)